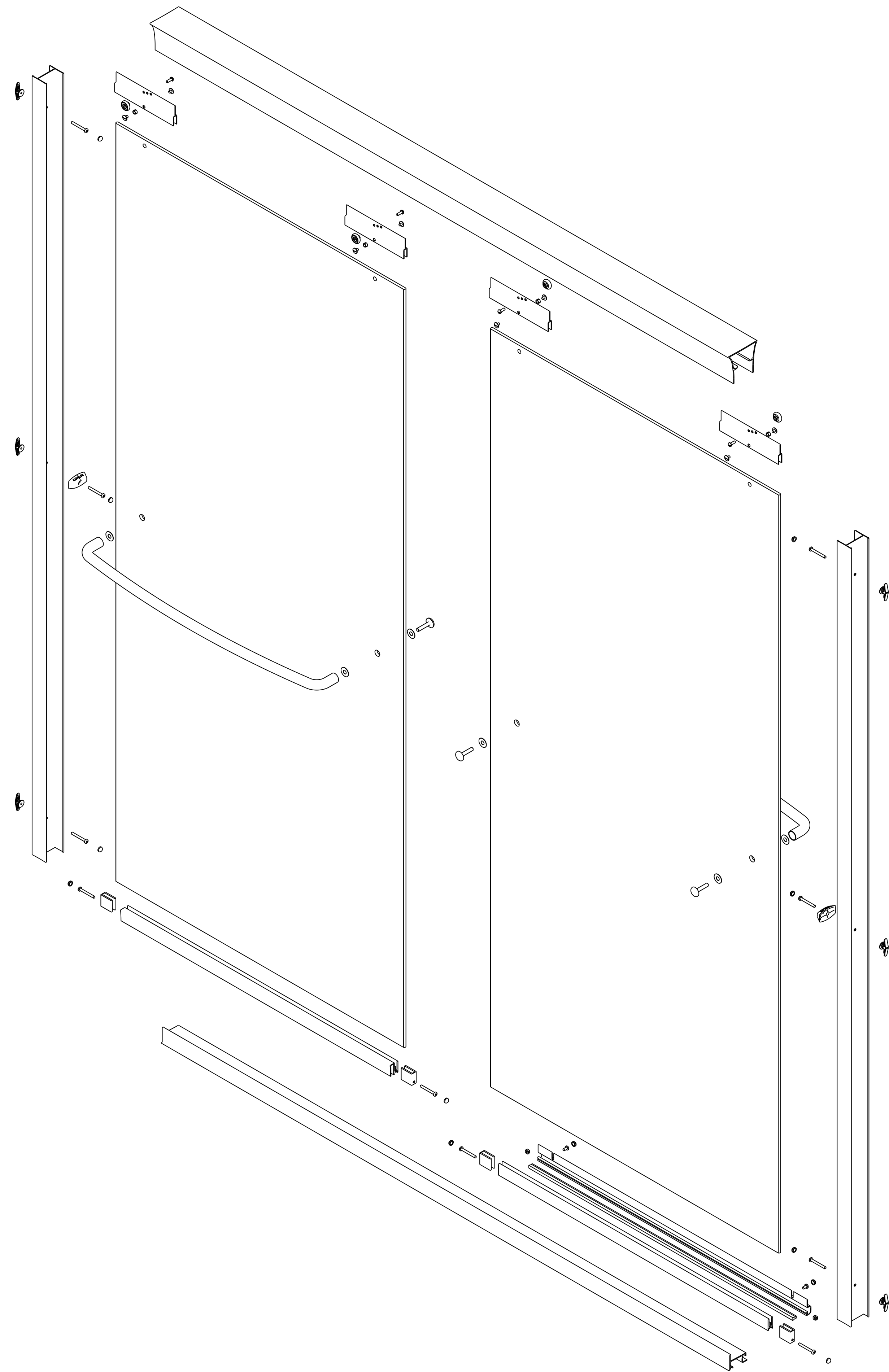


8 7 6 5 4 3 2 1

ALL DIMENSIONS IN: INCHES [MM]					DIMENSIONING AND TOLERANCING PER ASME Y14.5M-1994			
					APPROVED AMY BAILEY	DATE 02.23.09	PLOT DATE 02.23.09	SCALE 0.250
						CHECKED	DATE	DWG D
					ALB	02.23.09	PRO/E	SIZE
					DO NOT SCALE DRAWING			THIRD ANGLE PROJECTION
					<b>KOHLER</b>			ASSEMBLY NAME: 1114308
					KOHLER CO. KOHLER, WISCONSIN 53044			
					DESCRIPTION			ASSEMBLY NAME: 1114308
					ASM, FRAMELESS BYPASS DOOR			DWG. NO. 1114308
					DWG REVISION RECORD			SHT 1 of 4

TOLERANCES UNLESS OTHERWISE SPECIFIED  
 .XXX ± 0.010  
 .XX ± 0.02  
 .X ± 0.1  
 ANG ± 3.0

THIS DRAWING IN DESIGN AND DETAILS IS THE PROPERTY OF KOHLER CO. AND MAY NOT BE USED EXCEPT IN CONNECTION WITH KOHLER CO. WORK. ALL RIGHTS OF DESIGN OR INVENTION ARE RESERVED.



ALL DIMENSIONS IN: INCHES [MM]					DIMENSIONING AND TOLERANCING PER ASME Y14.5M-1994				
<div style="font-size: 2em; opacity: 0.5;">SEE SHEET #1</div>					APPROVED		DATE	PLOT DATE	SCALE
					AMY BAILEY		02.23.09	02.23.09	0.200
					DRAWN		CHECKED	DATE	DWG
					ALB		02.23.09	PRO/E	SIZE
					DO NOT SCALE DRAWING		THIRD ANGLE PROJECTION		
					<b>KOHLER</b>				
					KOHLER CO. KOHLER, WISCONSIN 53044		ASSEM NAME: 1114308		
					DESCRIPTION: ASM, FRAMELESS BYPASS DOOR				
					DWG. NO. 1114308		SHT 2 of 4		
DWG REVISION RECORD									
SHT	SYM	BY	DESCRIPTION	DATE					

8

7

6

5

4

3

2

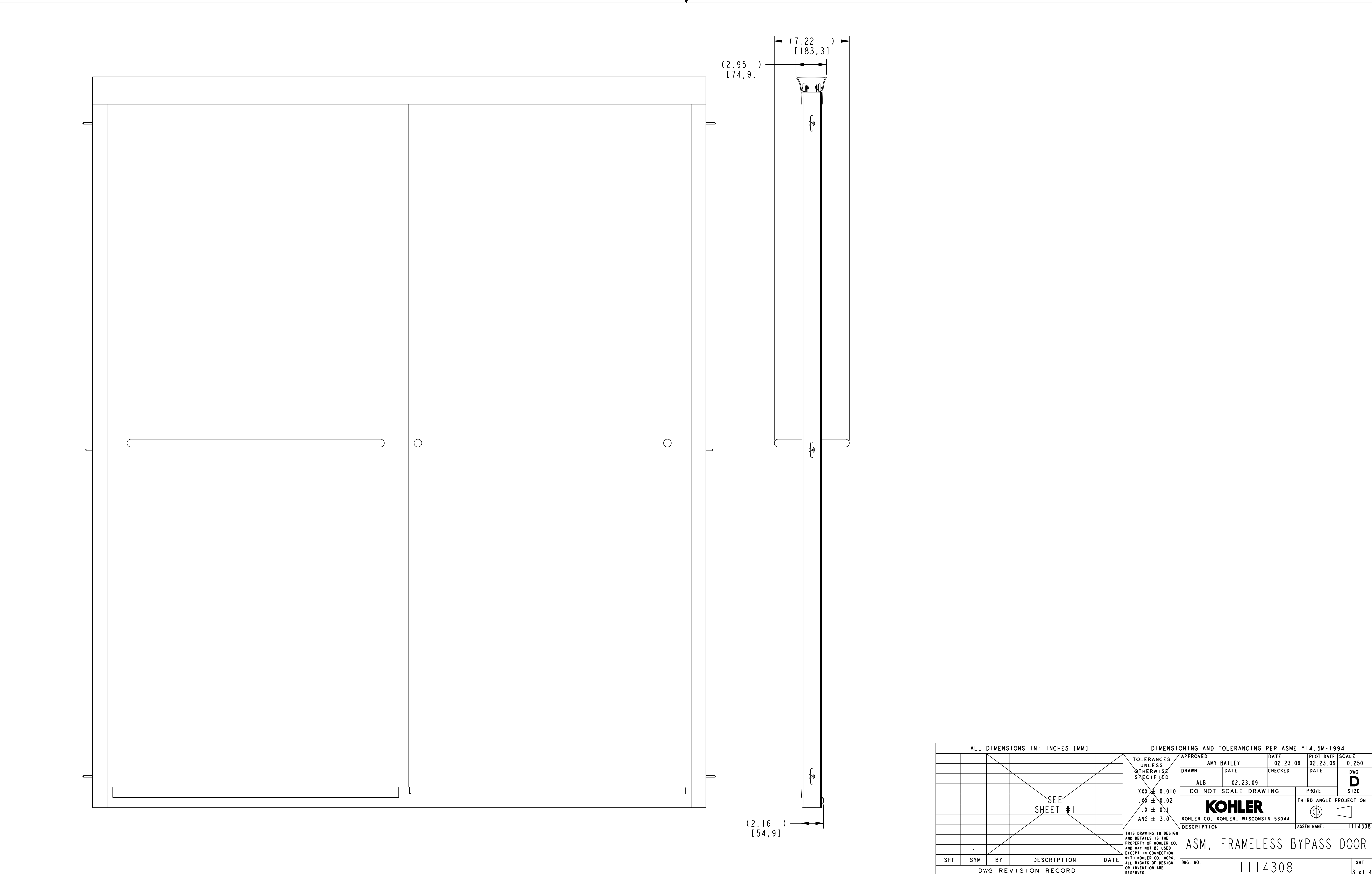
1

D

C

B

A



(7.22 )  
[183,3]

(2.95 )  
[74,9]

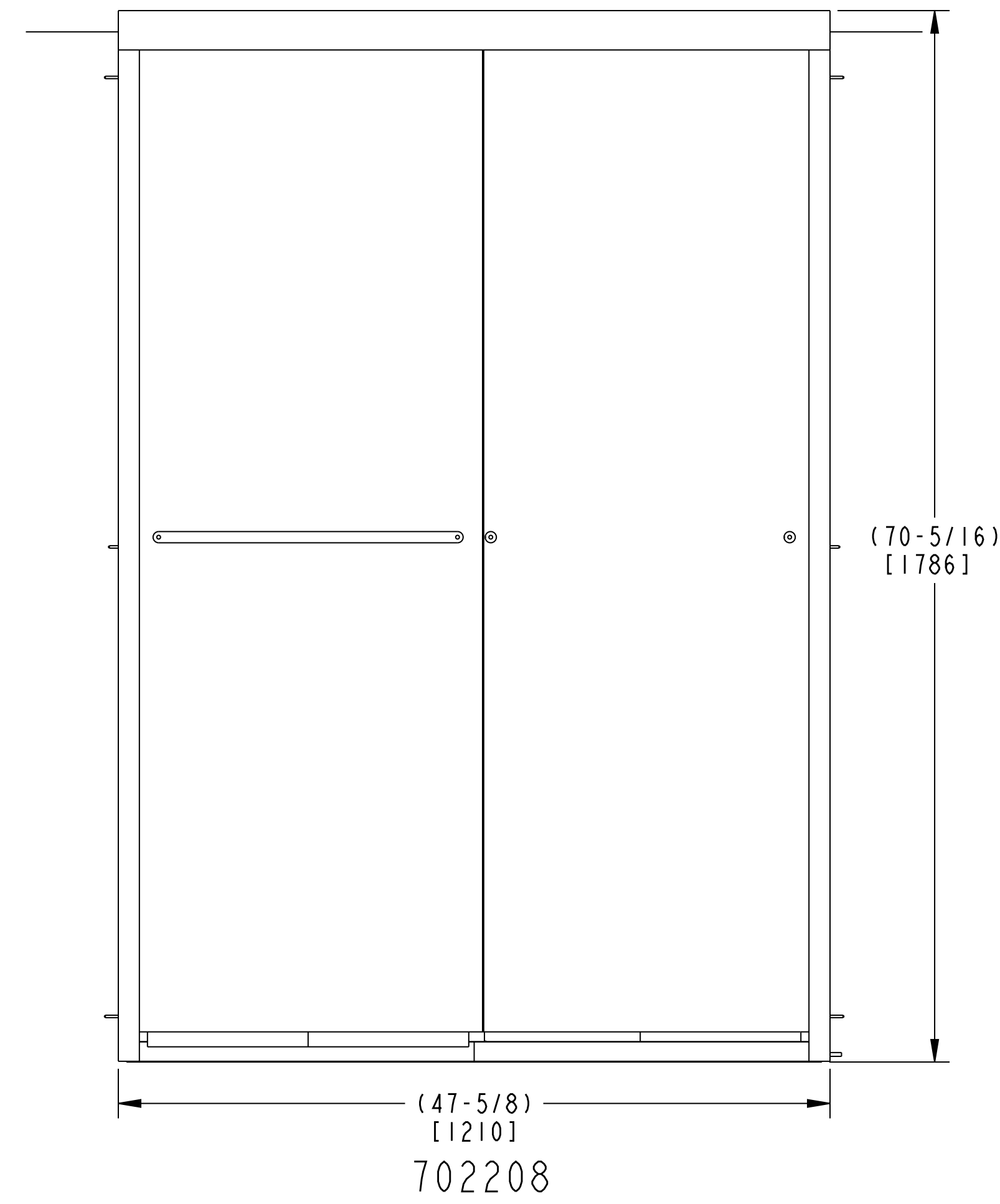
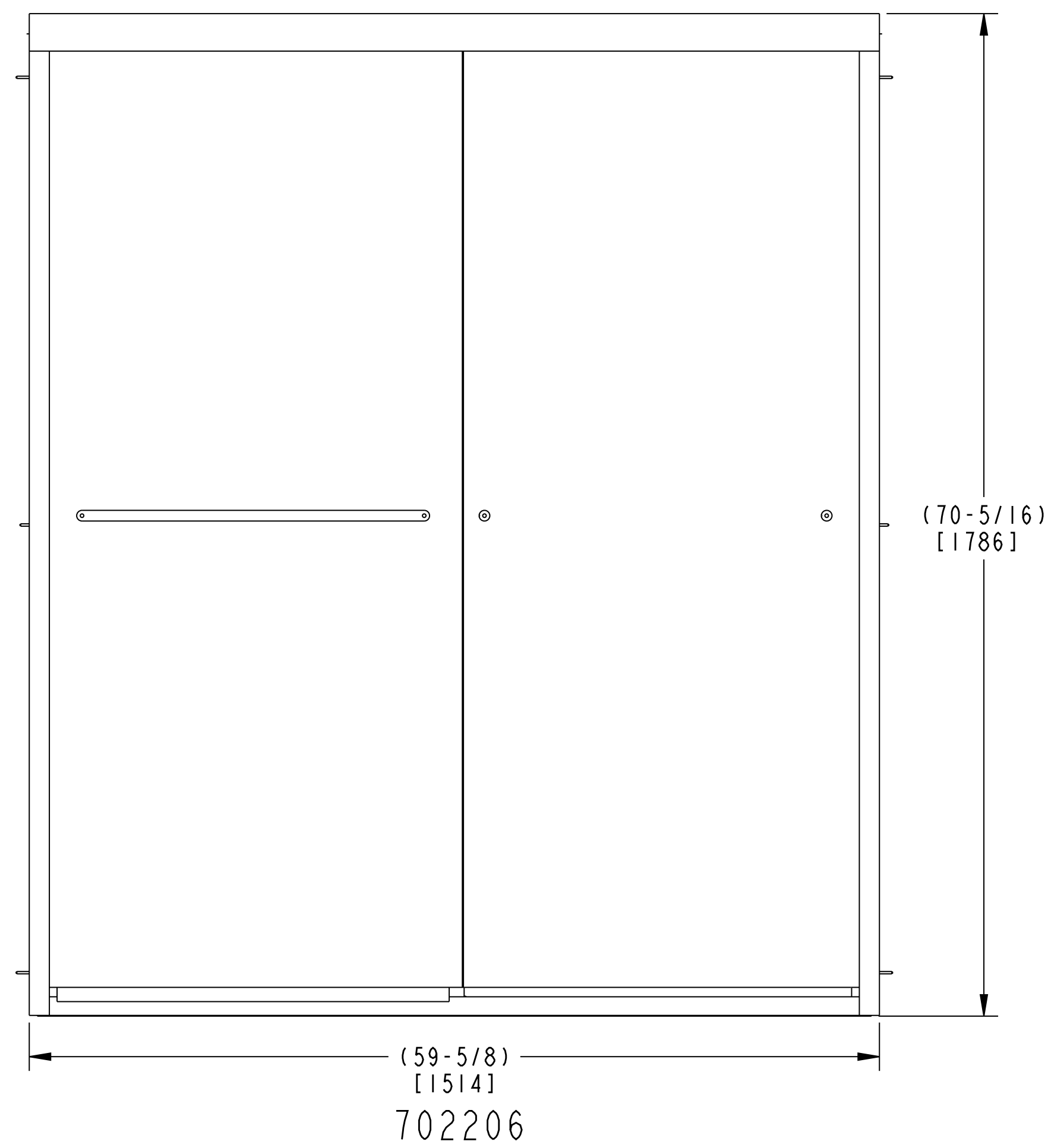
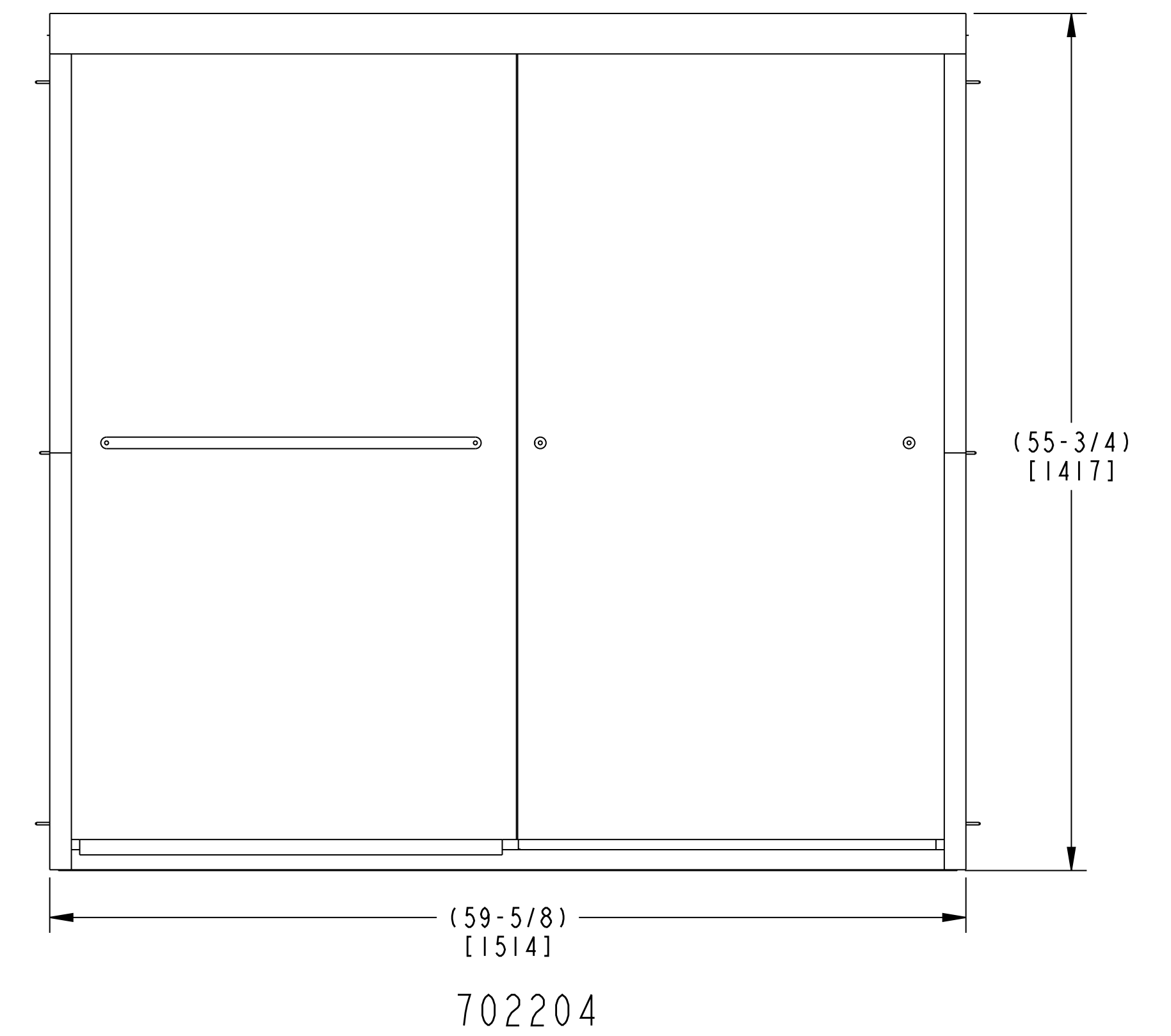
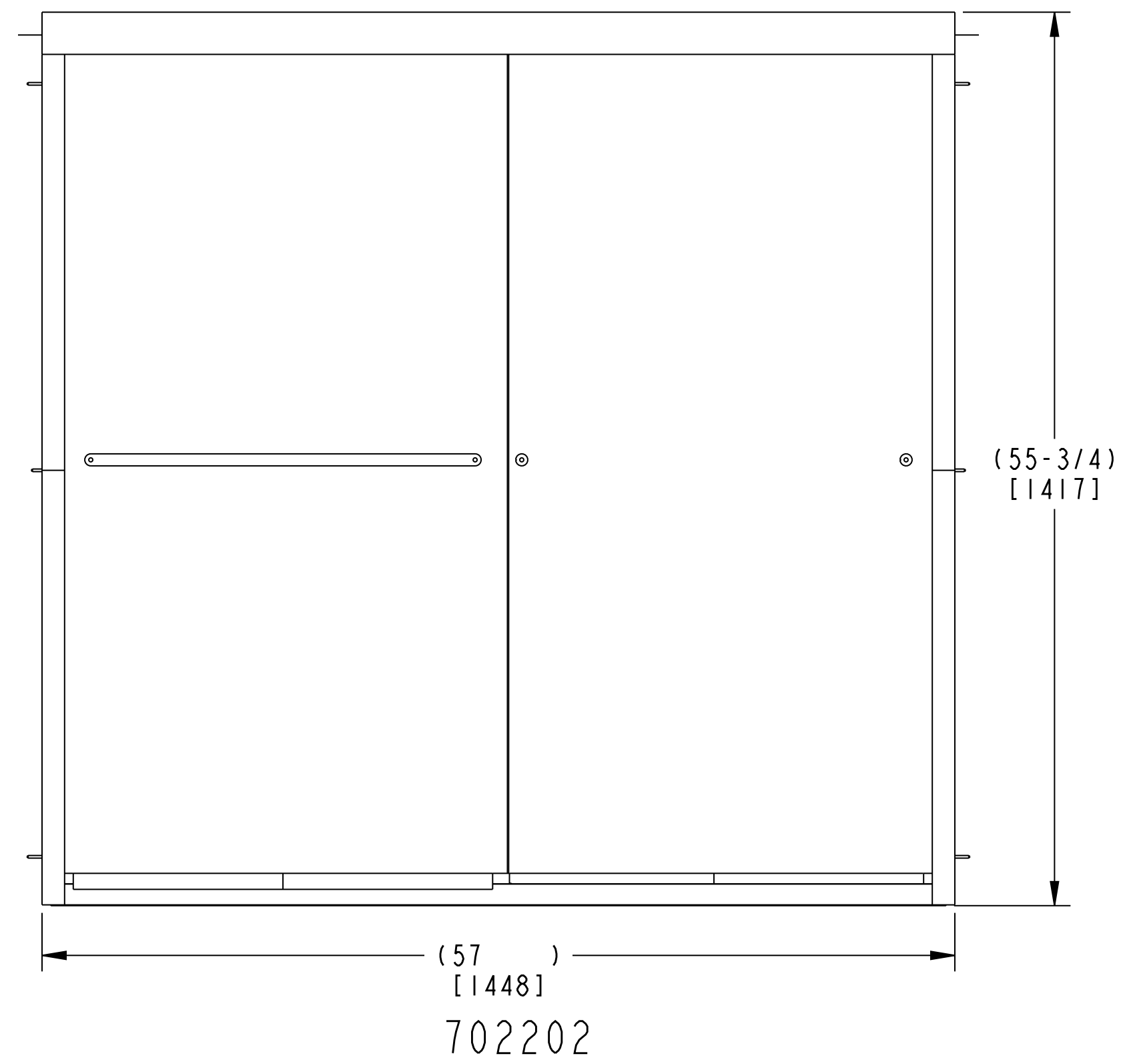
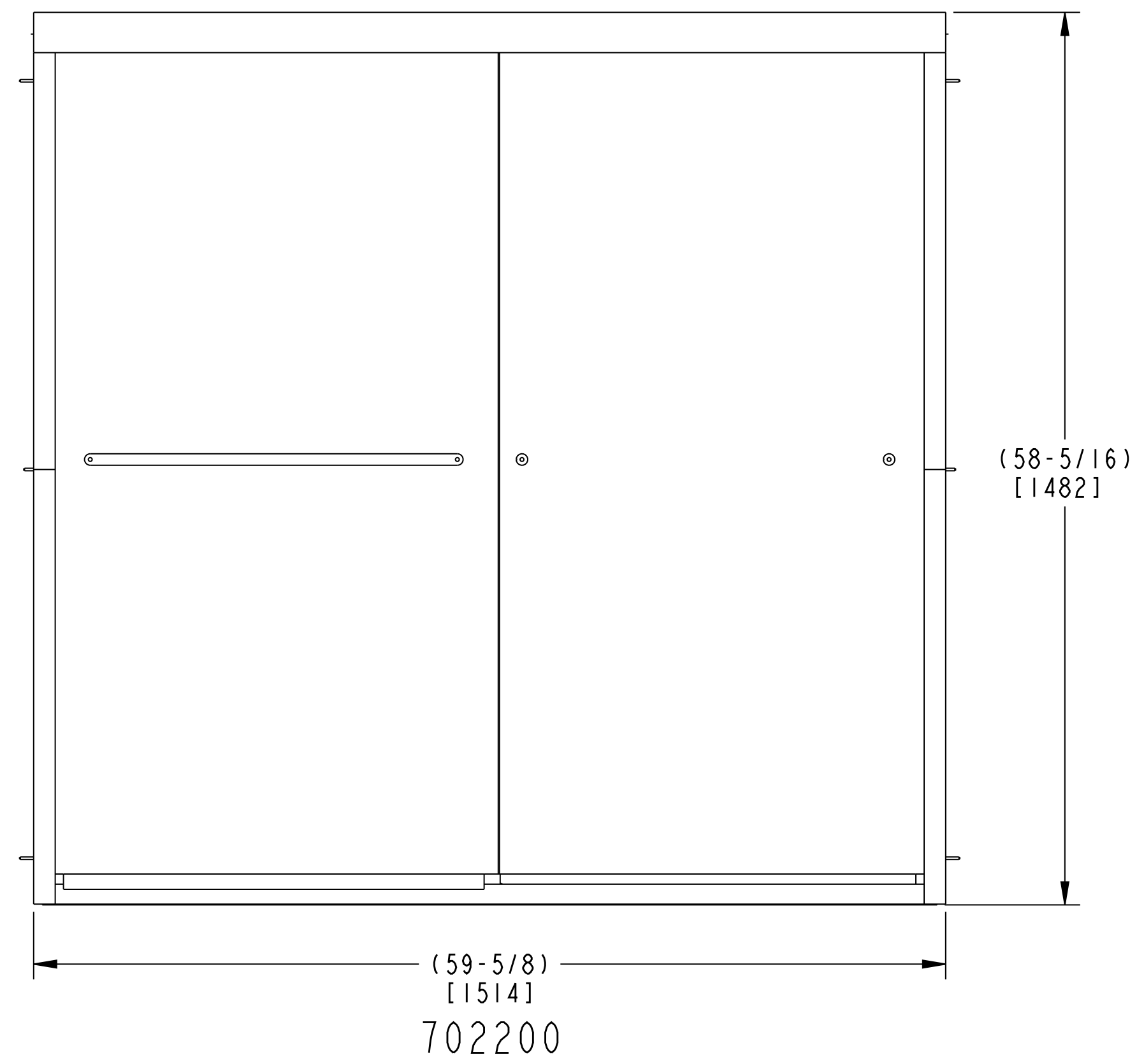
(2.16 )  
[54,9]

ALL DIMENSIONS IN: INCHES [MM]					DIMENSIONING AND TOLERANCING PER ASME Y14.5M-1994				
SEE SHEET #1					APPROVED		DATE	PLOT DATE	SCALE
					AMY BAILEY		02.23.09	02.23.09	0.250
					DO NOT SCALE DRAWING	PRO/E	DWG SIZE		
					ALB 02.23.09			D	
					<b>KOHLER</b>				
					KOHLER CO. KOHLER, WISCONSIN 53044				
					THIRD ANGLE PROJECTION			ASSEM NAME: 1114308	
					DESCRIPTION: ASM, FRAMELESS BYPASS DOOR				
DWG REVISION RECORD					DWG. NO.	1114308			
					SHT 3 of 4				

TOLERANCES UNLESS OTHERWISE SPECIFIED  
.XXX ± 0.010  
.XX ± 0.02  
.X ± 0.1  
ANG ± 3.0

THIS DRAWING IN DESIGN AND DETAILS IS THE PROPERTY OF KOHLER CO. AND MAY NOT BE USED EXCEPT IN CONNECTION WITH KOHLER CO. WORK. ALL RIGHTS OF DESIGN OR INVENTION ARE RESERVED.

SHT	SYM	BY	DESCRIPTION	DATE
1	-			



ALL DIMENSIONS IN: INCHES [MM]					DIMENSIONING AND TOLERANCING PER ASME Y14.5M-1994					
SEE SHEET #1					APPROVED		DATE	PLOT DATE	SCALE	
					AMY BAILEY		02.23.09	02.23.09	0.250	
					DRAWN	DATE	CHECKED	DATE	DWG SIZE	
					ALB	02.23.09			D	
					DO NOT SCALE DRAWING		PRO/E	THIRD ANGLE PROJECTION		
					<b>KOHLER</b>				ASSEMBLY NAME: 1114308	
					KOHLER CO. KOHLER, WISCONSIN 53044		DESCRIPTION		ASM, FRAMELESS BYPASS DOOR	
					DWG. NO. 1114308		SHT 4 of 4			
DWG REVISION RECORD										
SHT	SYM	BY	DESCRIPTION	DATE						