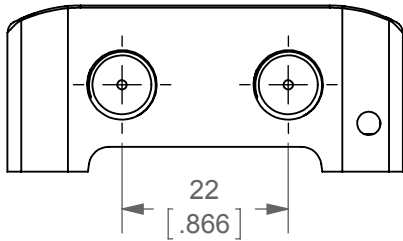
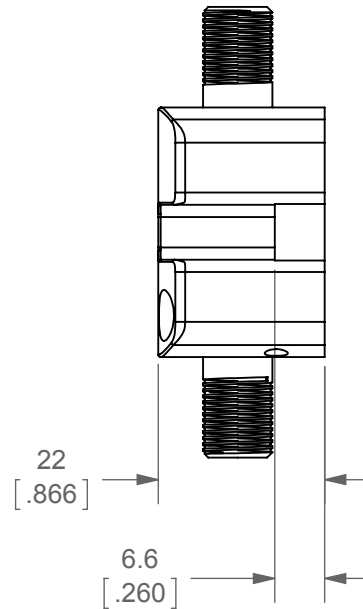
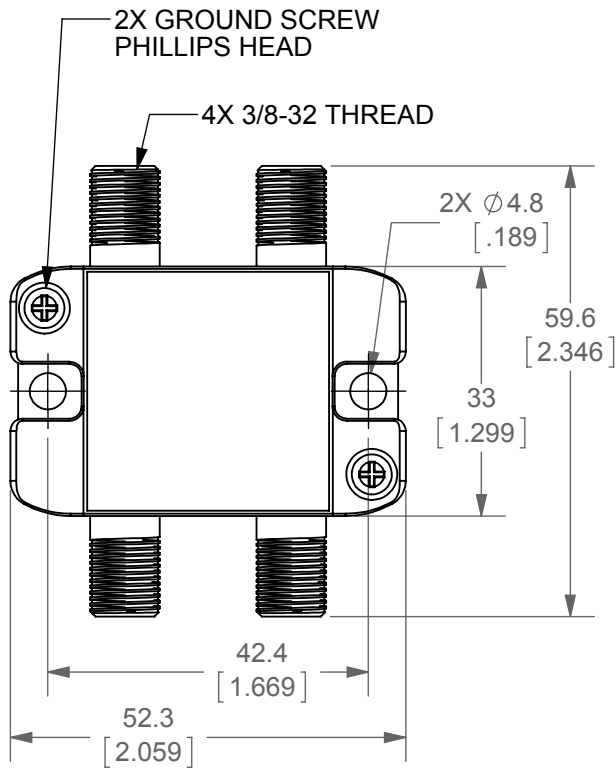



PARAMETER	FREQUENCY RANGE (MHz)	TYP (dB)	QC (dB)
INSERTION LOSS (IN-OUT)	5 - 40	6.9	7.0
	40 - 1000	7.9	8.0
	1000 - 2050	9.9	10
	2050 - 2400	10.9	11
ISOLATION (OUT-OUT)	5 - 40	17	16
	40 - 1000	21	20
	1000 - 2050	21	20
	2050 - 2400	21	20
RETURN LOSS	5 - 40	11	10
	40 - 1000	13	12
	1000 - 2050	13	12
	2050 - 2400	11	10



- NOTES:
1. PRIMARY DIMENSIONS ARE IN mm.
  2. SECONDARY DIMENSIONS ARE IN in.
  3. COVER IS SOLDERED ON (EMI-RF)>-80dB).
  4. FREQUENCY RANGE: 5 - 2400MHz.

				TITLE: 3-WAY SATELLITE DIGITAL CABLE SPLITTER					
				P/N: 85-333					
				MAT'L: ZINC CASE					
DO NOT SCALE DRAWING				TOLERANCES UNLESS OTHERWISE SPECIFIED DIMENSIONS ON THIS PRINT ARE FOR REFERENCE ONLY.		PART VOLUME <b>N/A</b>		FINISH: NICKEL PLATING	
		SCALE: 1:1		DRW. BY: RWS		CKDBY: RWS		APP. BY: RWS	
 <b>IDEAL INDUSTRIES, INC.</b> SYCAMORE, ILLINOIS, U.S.A.				DATE 3-26-13		DRWG. NO. CD-85-333			