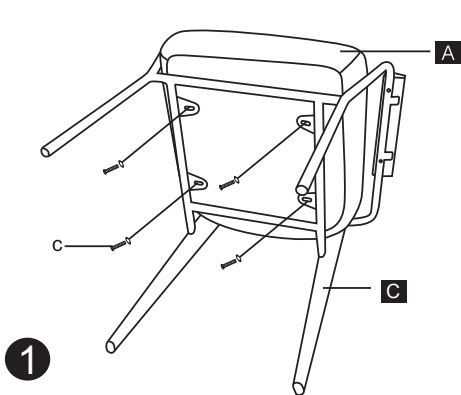
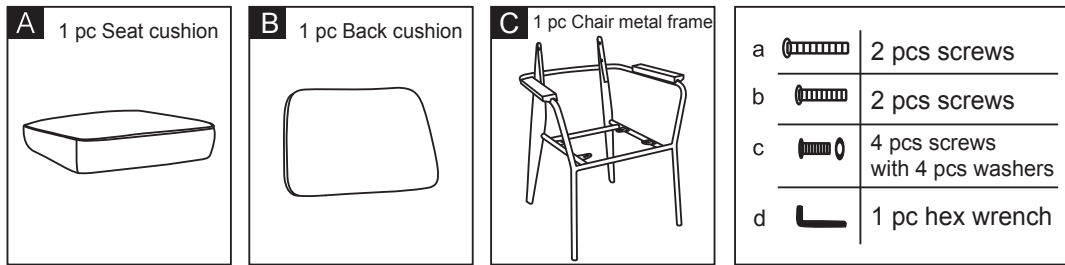
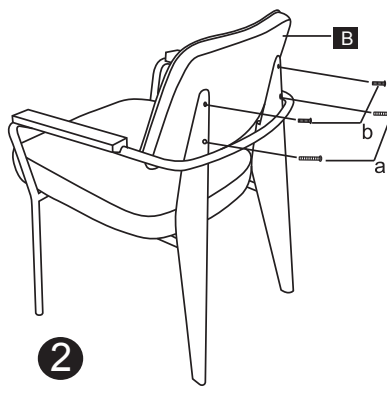


FDCHAIR2PC-B/G/W

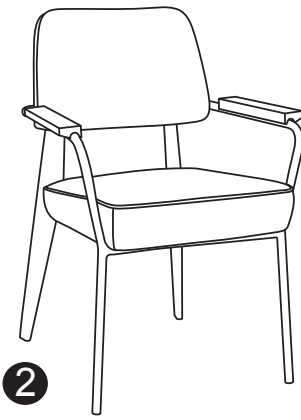
Fauteuil Direction Chair Assembly Instructions



1. Put the seat cushion (A) on the chair metal frame (C), then lay them down. Adjust seat cushion position (so that screws point to the frame and seat cushion). Put washers on the frame, use the hex wrench (d) to tighten the screws (c) into the frame and seat cushion.



2. Adjust back cushion (B) (so that screws a and b point to the frame and back cushion). Use the hex wrench to tighten the screws into the frame and back cushion.



3. MAKE SURE THAT ALL PARTS ABOVE ARE FIXED TIGHT AND FIRM BEFORE USE.

CAUTION:

THIS PRODUCT IS FOR INDOOR USE ONLY.
DO NOT STAND ON THIS PRODUCT IN ANY CIRCUMSTANCE.
MAX WEIGHT CAPACITY 264 lbs

Material is PU leather. It can be cleaned easily by soft wet cloth, then towel dry.

**IF THERE IS ANY QUESTION ABOUT A CONDITION BEING SAFE OR UNSAFE,
DO NOT USE THIS PRODUCT!**

DO NOT RETURN THIS PRODUCT TO THE RETAILER - CONTACT CUSTOMER SERVICE.

If you experience a problem, have questions or need parts for this product, visit our website

<http://www.amerihomebrand.com> or call Customer Service at 1-888-287-6981, Monday-Friday, 8 AM - 4 PM

Central Time, or email: info@amerihomebrand.com. A copy of the sales receipt is required.

KEEP THIS MANUAL, SALES RECEIPT & APPLICABLE WARRANTY FOR FUTURE REFERENCE.