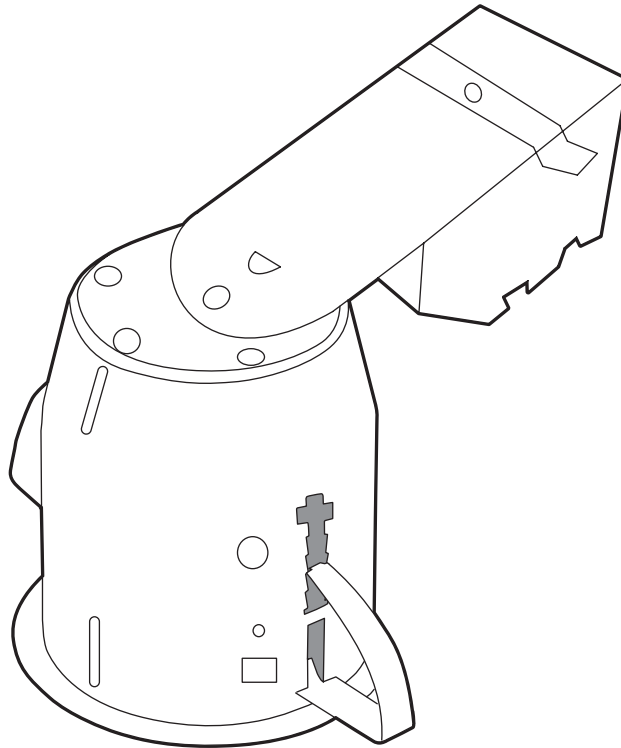


USE AND CARE GUIDE

LED DIRECTIONAL 3 IN. RECESSED KIT



Questions, problems, missing parts? Before returning to the store,
call Commercial Electric Customer Service
8 a.m. - 7 p.m., EST, Monday - Friday, 9 a.m. - 6 p.m., EST, Saturday

1-877-527-0313

HOMEDEPOT.COM

THANK YOU

We appreciate the trust and confidence you have placed in Commercial Electric through the purchase of this recessed light kit. We strive to continually create quality products designed to enhance your home. Visit us online to see our full line of products available for your home improvement needs. Thank you for choosing Commercial Electric!

Table of Contents

Safety Information 2
Warranty 3
Pre-Installation 3
 Planning Installation 3
 Tools and Materials Required 3
 Package Contents 3

Installation 4
Care and Cleaning 6


Safety Information


IMPORTANT SAFETY INSTRUCTIONS. SAVE THESE INSTRUCTIONS.


Most electrical accidents are caused by carelessness or ignorance. Review these basic electrical guidelines before you begin this installation.


- Use tools with insulated handles and ladders made of wood or fiberglass.
- Keep dry-chemical fire extinguishers in the kitchen, basement, and workshop.
- Never disable grounding devices. Ensure all appliances that require grounding are properly grounded, and that the electrical system itself is properly grounded.
- Meet or exceed all electrical code requirements that cover the work you are doing.
- Always work with enough light to see what you are doing. It is easy to make a mistake when you work in dim light.
- When in doubt about the safety of any electrical repair or test, call in a professional.
- This fixture is IC rated for direct contact with insulation when using an LED bulb.
- This fixture is intended for indoor use only or outdoor soffits when the junction box is inside an enclosed space.
- Do not modify this fixture. If any modifications are made, it may render the product unsafe and void the warranty.

 **WARNING:** Before touching any wire, use a voltage tester to ensure it is not live.

 **WARNING:** When you check for voltage in a receptacle, check both outlets as each may be controlled by a separate wiring circuit.


 **WARNING:** Before working on a circuit, go to the main service panel and remove the fuse or trip the breaker that controls that circuit. Tape a sign to the panel warning others to leave the circuit alone while you work.

 **WARNING:** When replacing fuses, turn off the main power first. Make sure your hands and feet are dry, and place one hand behind your back to prevent electricity from making a complete circuit through your chest. Touch a plug fuse only by its insulated rim. Remove cartridge fuses with a fuse impeller.

 **WARNING:** CONSULT A QUALIFIED ELECTRICIAN TO ENSURE CORRECT BRANCH CIRCUIT CONDUCTOR.

WARNING: Changes or modifications to this unit not expressly approved by the party responsible for compliance could void the user's authority to operate the equipment. This device complies with part 15 of the FCC rules. Operation is subject to the following two conditions: (1) this device may not cause harmful interference, and (2) this device must accept any interference received, including interference that may cause undesired operation.

NOTE: This equipment has been tested and found to comply with the limits for a Class B digital device, pursuant to Part 15 of the FCC Rules. These limits are designed to provide reasonable protection against harmful interference in a residential accordance with the instructions, may cause harmful interference to radio communications.

 However, there is no guarantee that interference will not occur in a particular installation. If this equipment does cause harmful interference to radio or television reception, which can be determined by turning the equipment off and on, the user is encouraged to try to correct the interference by one or more of the following measures:

- Reorient or relocate the receiving antenna.
- Increase the separation between the equipment into an outlet on a circuit different from that to which the receiver is connected.
- Consult the dealer or an experienced radio/TV technician for help.

CAN ICES-005 (B) / NMB-005 (B)

Warranty

5-YEAR LIMITED WARRANTY

The manufacturer warrants this lighting fixture against defects in materials and workmanship for a period of five years from the date of purchase. If within this period the product is found to be defective in material or workmanship, the product must be returned, with a copy of the bill of sale as proof of purchase, to the original place of purchase. The manufacturer will, at its option, repair, replace, or refund the purchase price to the original purchaser or consumer. This warranty does not cover light bulbs or the fixture becoming damaged due to misuse, accidental damage, improper handling and/or installation, and specially excludes liability for direct, incidental, or consequential damages. As some states do not allow exclusions or limitations on an implied warranty, so the above exclusions and limitations may not apply. This warranty gives you specific rights and you may also have other rights that vary from state to state.

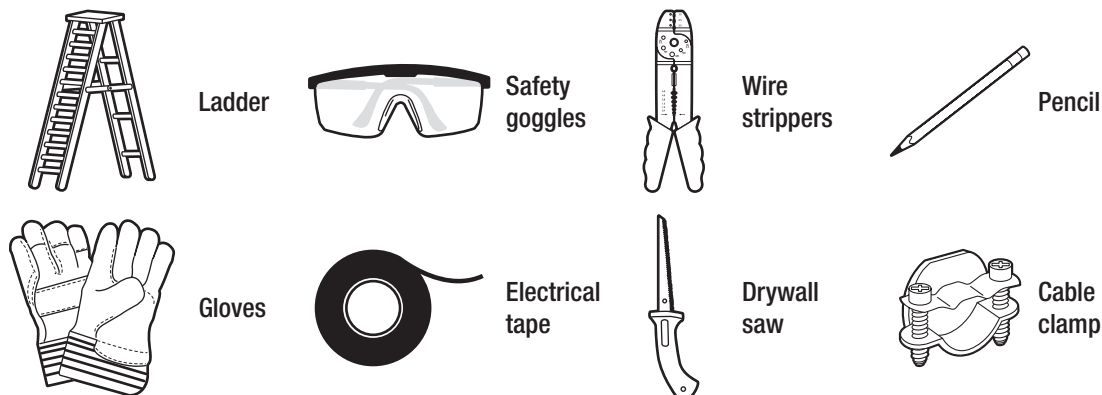
Contact the Customer Service Team at 1-877-527-0313 or visit www.HomeDepot.com.

Pre-Installation

PLANNING INSTALLATION

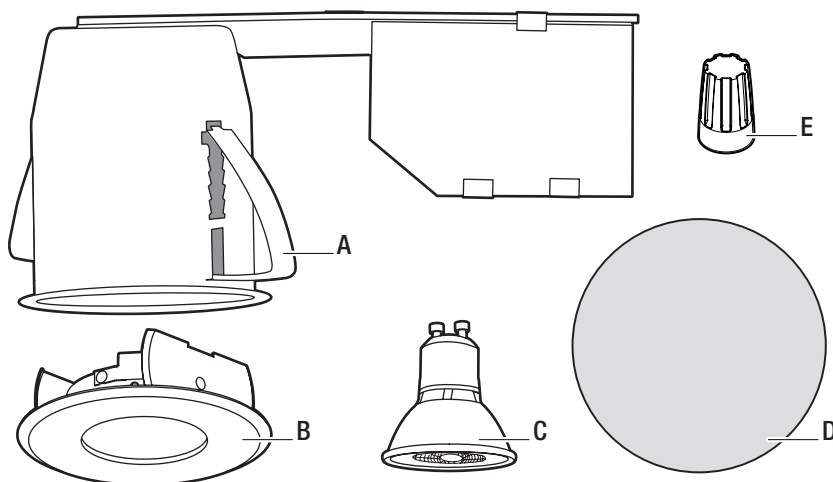
Compare all parts with the Hardware Included and Package Contents sections. If any part appears missing or damaged, do not install this product and contact the Customer Service Team at 1-877-527-0313.

TOOLS AND MATERIALS REQUIRED



PACKAGE CONTENTS

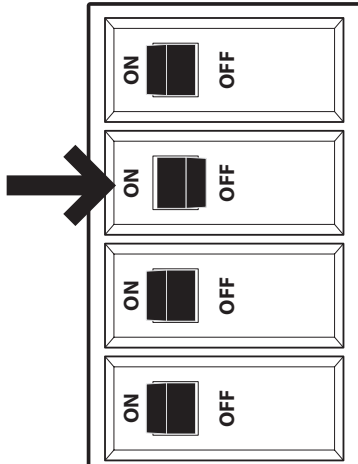
Part	Description	Quantity
A	Housing can	1
B	Decorative trim	1
C	6.5W LED GU10 bulb	1
D	Template	1
E	Wire connectors	3



Installation

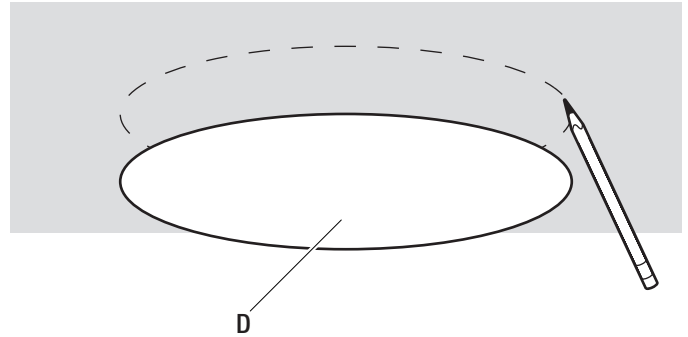
1 Turning off the power

- Place the wall switch to the OFF position.
- Turn off the main power at the breaker panel or remove the fuse from the fuse box.



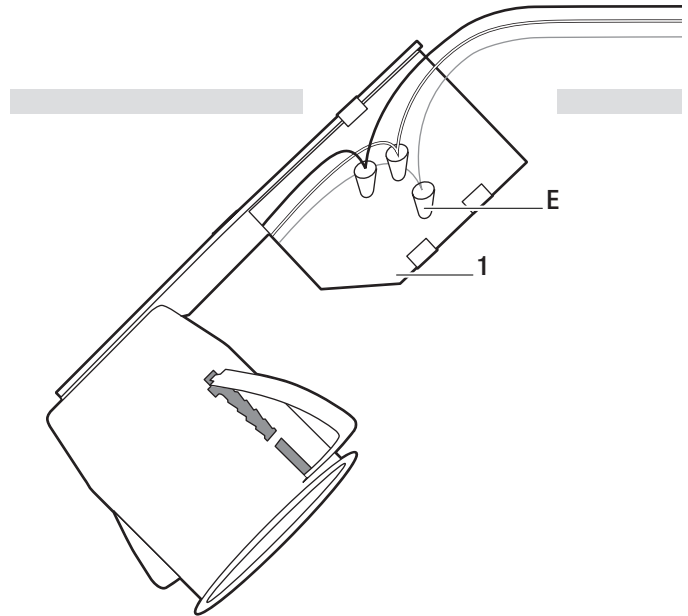
2 Preparing the installation location

- Use the template (D) to mark the desired installation location.
- Use a drywall saw to cut the opening marked by the template (D).



3 Connecting the wires

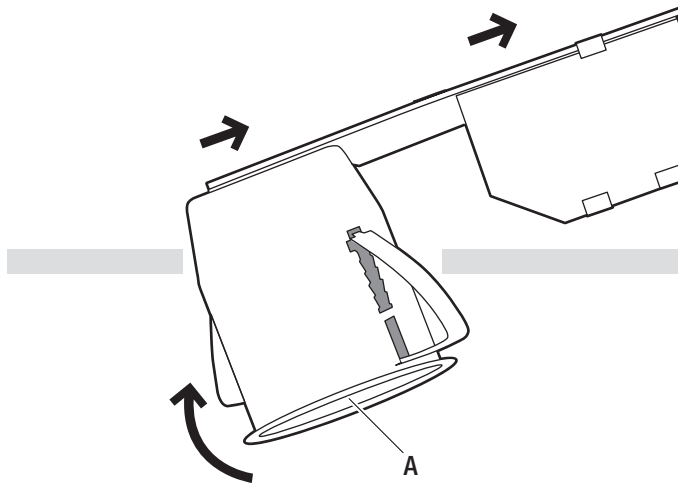
- Remove knockout on side of junction box and secure wire with cable clamp (not included).
- Connect the neutral wires (white) from the electrical box (1) to the neutral wires from the supply circuit, the hot (live) wires (black) from the electrical box (1) to the hot wires from the supply circuit, and the ground wire (bare) from the electrical box (1) to the ground wire from the supply circuit.
- Secure all connections together with wire connectors (E) and wrap electrical tape (not included) around the wire connectors.
- Push all excess wire and wire connections back into the electrical box (1).



Installation (continued)

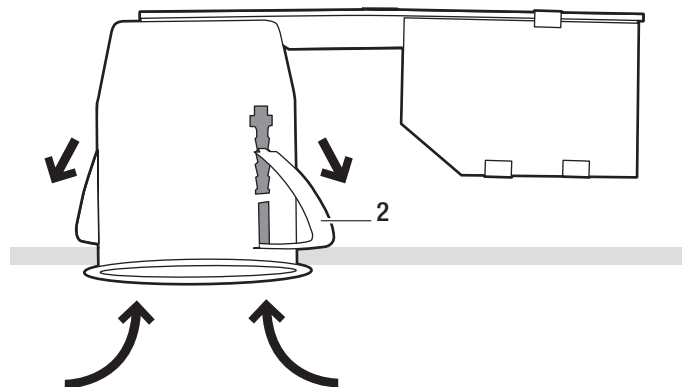
4 Inserting the housing can

- Lift the housing can (A) through the opening in the drywall.



5 Adjusting the can position

- Use your hand to push and click the clips (2) in place. Adjust the height where needed for a better fit.



6 Installing the bulb into the trim

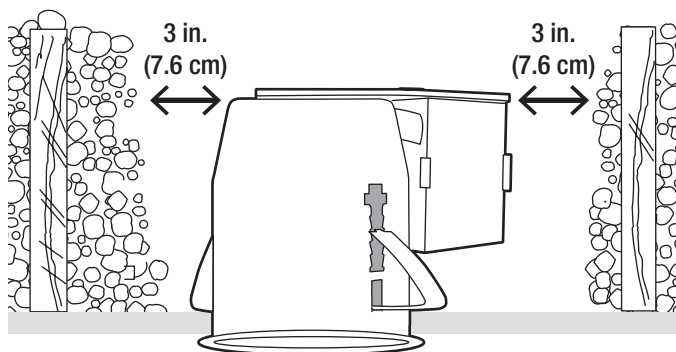
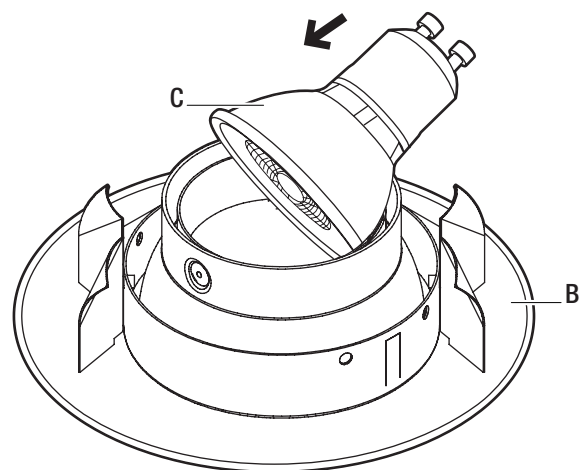


WARNING: Maximum bulb wattage for IC applications is 6.5W. Maximum wattage is 50W GU10 for a halogen bulb, non-IC rated. Do not exceed the maximum wattage.

- Insert the bulb (C) into the back of the trim (B) and secure in place using the spring clips on the trim (B).

SPECIAL NOTE ON NON-IC INSTALLATIONS

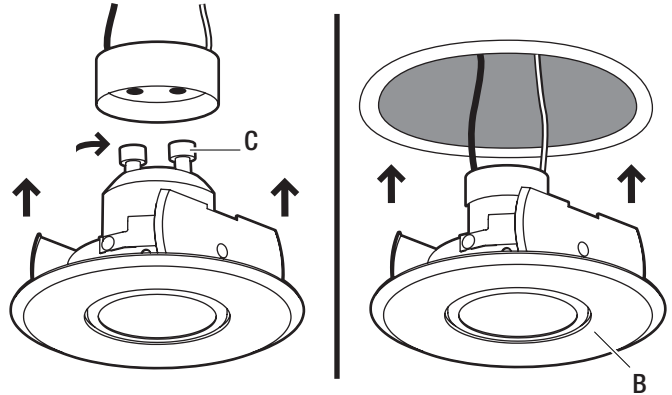
If you choose to use a MAX 50W GU10 bulb (not included) for this installation, all insulation MUST remain at least 3 in. (7.6 cm) away from the housing can at all times



Installation (continued)

7 Installing the trim into the housing

- Connect the base of the bulb (C) into the socket attached to the recessed housing and push the trim (B) up into the recessed housing.



Care and Cleaning

- To clean the fixture, first disconnect the power to the fixture by turning off the circuit breaker or by removing the fuse at the fuse box.
- Use a dry or slightly dampened, clean cloth (use clean water, never use a solvent) to wipe the interior and exterior surfaces of the fixture.
- Allow the fixture to dry completely before power is restored.



Questions, problems, missing parts? Before returning to the store,
call Commercial Electric Customer Service
8 a.m. - 7 p.m., EST, Monday-Friday, 9 a.m. - 6 p.m., EST, Saturday

1-877-527-0313

HOMEDEPOT.COM

Retain this manual for future use.