

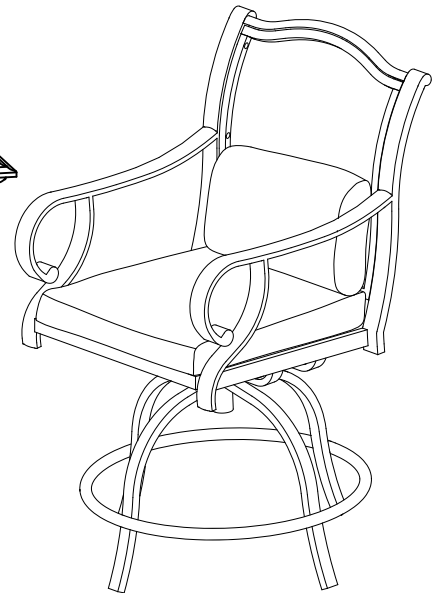
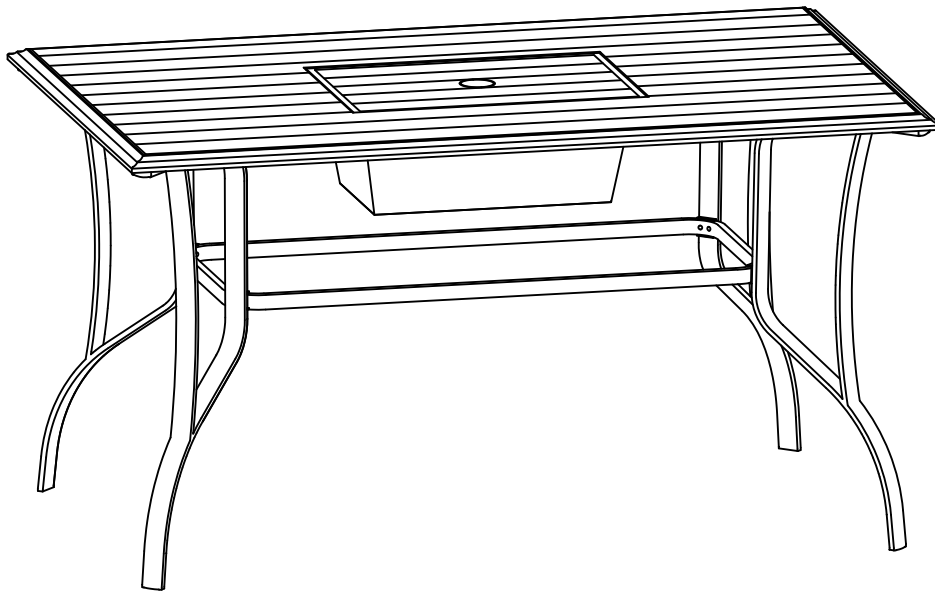


Item # 667 184
667 186

Model # FRS80589AH-ST

USE AND CARE GUIDE

VICHY SPRINGS 7PC HIGH DINING SET



Questions, problems, missing parts? Before returning to the store,
call Hampton Bay Customer Service.
8 a.m. - 7 p.m., EST, Monday - Friday, 9 a.m. - 6 p.m., EST, Saturday

1-855-HD-HAMPTON

HAMPTONBAY.COM

THANK YOU

We appreciate the trust and confidence you have placed in Hampton Bay through the purchase of this dining set. We strive to continually create quality products designed to enhance your home. Visit us online to see our full line of products available for your home improvement needs. Thank you for choosing Hampton Bay!

Table of Contents


Table of Contents.....	2	Pre-Assembly	3
Safety Information	2	Planning Assembly	3
Product Caution	2	Hardware Included	3
Safety Warnings	2	Chair Package Contents	4
Warranty	2	Table Package Contents	5
What is Covered	2	Chair Assembly	6
What is Not Covered	2	Table Assembly	11
		Care and Cleaning.....	13


Safety Information


PRODUCT CAUTION


This high dining set was made for the explicit purpose of providing outdoor functions and is not to be used as a toy. This product is intended for normal outdoor use; however, the manufacturer recommends storing and / or covering this set when any formidable / severe weather is approaching. Do not locate the product near open flame. Do not use the product as a support. Do not shake, lean or climb on product. Children under the age of 10, near the product, should be supervised by a competent adult at all times. This product is NOT intended for commercial use and will void the warranty.

SAFETY WARNINGS

 **WARNING:** Weight limit for chairs is 250 lbs (113.39 Kg) for each seat.


 **WARNING:** Please keep children out of the assembly area before assembly.

 **WARNING:** This dining set unit is heavy, and may require two adults for safe assembly.

 **WARNING:** Never use this product as a support. Do not shake, lean, or climb on the product at any time.

 **CAUTION:** Do not place heavy objects on the table top.

 **CAUTION:** Do not place heavy objects on the chair.

 **CAUTION:** When not in use, secure the product in a cool and covered location.

 **CAUTION:** Do not locate the product near any heat source.

Warranty

2 YEAR FRAME AND 2 YEAR FABRIC LIMITED WARRANTY

WHAT IS COVERED

We warrant the frames to be free of manufacturing defects to the original purchaser for two years, and a two year limited warranty for the fabric.

WHAT IS NOT COVERED

It remains the customer's responsibility for freight and packaging charges to and from our service center. This warranty does not cover commercial use, hardware, acts of nature, fire, freezing and abusive use. In addition, purchased parts are not covered under this warranty. We reserve the right to make substitutions with similar merchandise, if the model in question is no longer in production.

Contact the Customer Service Team at 1-855-HD-HAMPTON or visit www.HamptonBay.com.

Pre-Assembly

PLANNING ASSEMBLY

Read all instructions before assembly.

To avoid damaging this product, assemble it on a soft, non-abrasive surface such as carpet or cardboard.

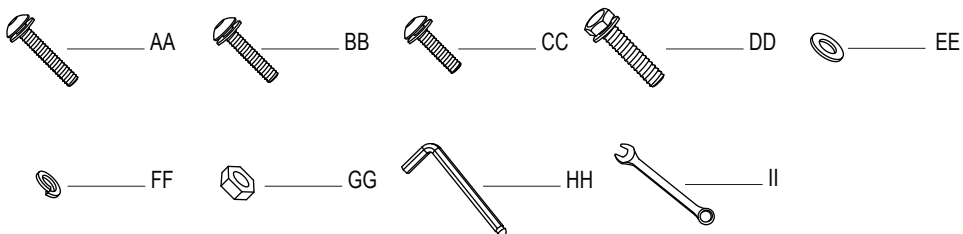


NOTE: More than one person may be required to assemble this product.

HARDWARE INCLUDED



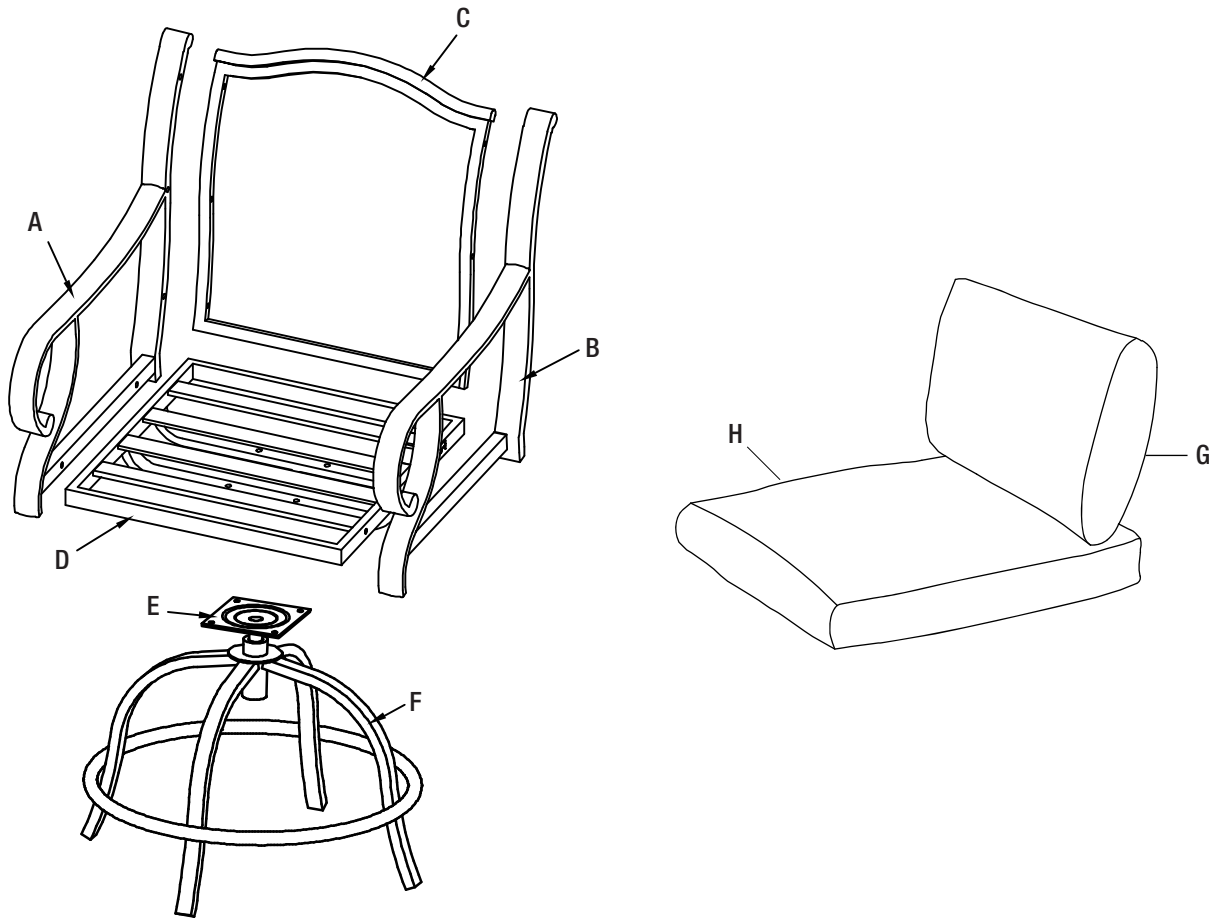
NOTE: Hardware not shown to actual size.



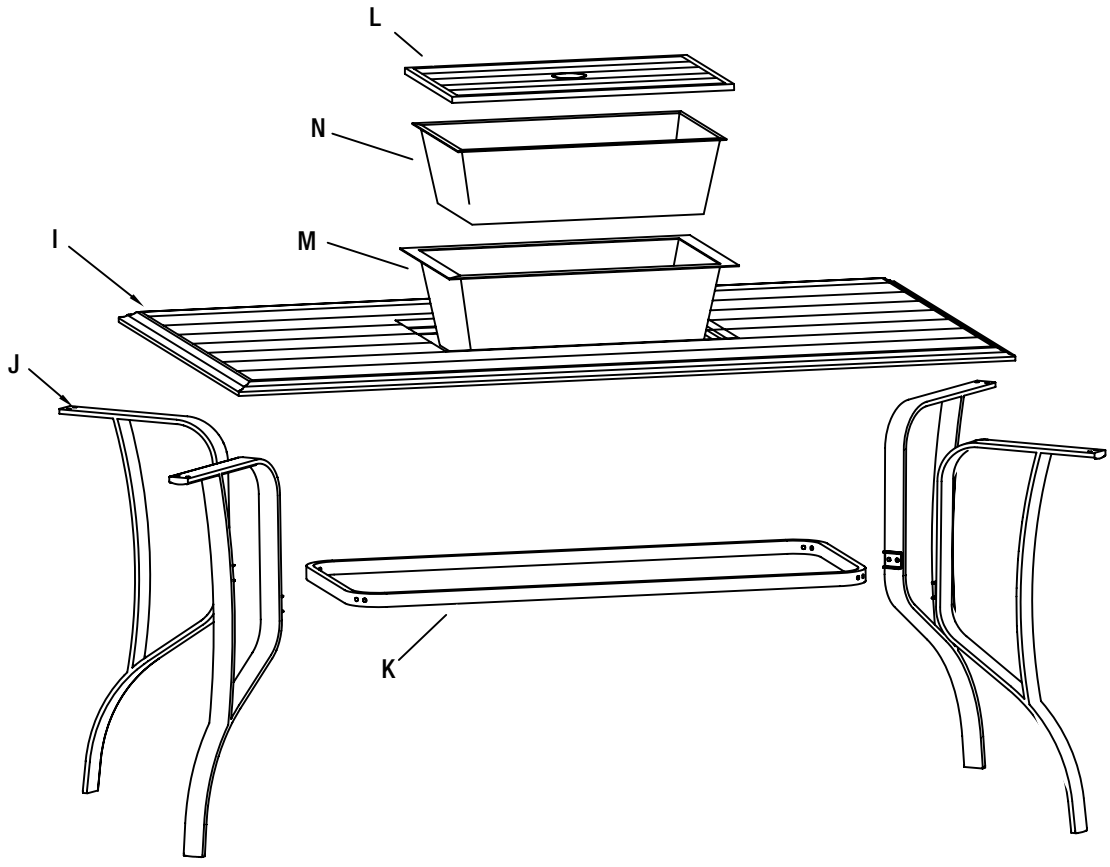
Part	Description	Quantity
AA	M6x35 combination bolt	36+1
BB	M6x30 combination bolt	32+1
CC	M6x25 combination bolt	8+1
DD	M8x35 combination hex bolt	24+1
EE	M8 washer	24+1
FF	M8 spring washer	24+1
GG	M8 nut	24+1
HH	Hex wrench	1
II	Wrench	2

Pre-Assembly (continued)

CHAIR PACKAGE CONTENTS



Part	Description	Quantity
A	Right arm	6
B	Left arm	6
C	Chair back	6
D	Chair seat	6
E	Chair connector	6
F	Chair base	6
G	Pillow	6
H	Seat cushion	6



N	Ice pack	1
---	----------	---

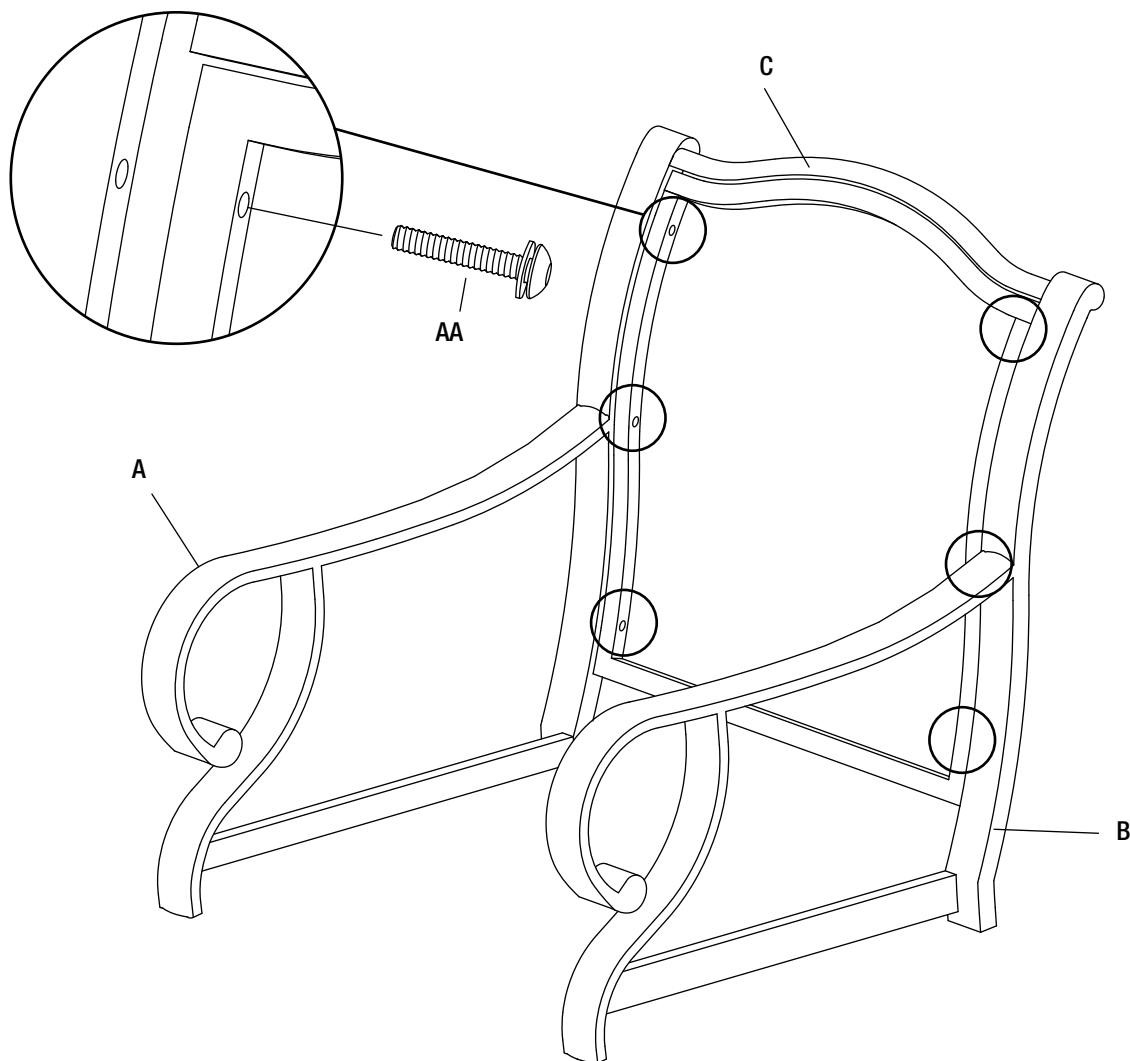
Chair Assembly

1 Attaching the right and left arms to the chair back

- Attach the right arm (A) and the left arm (B) to the chair back (C) using M6x35 combination bolts (AA).



NOTE: Loosely tighten all the bolts using the hex wrench (GG)



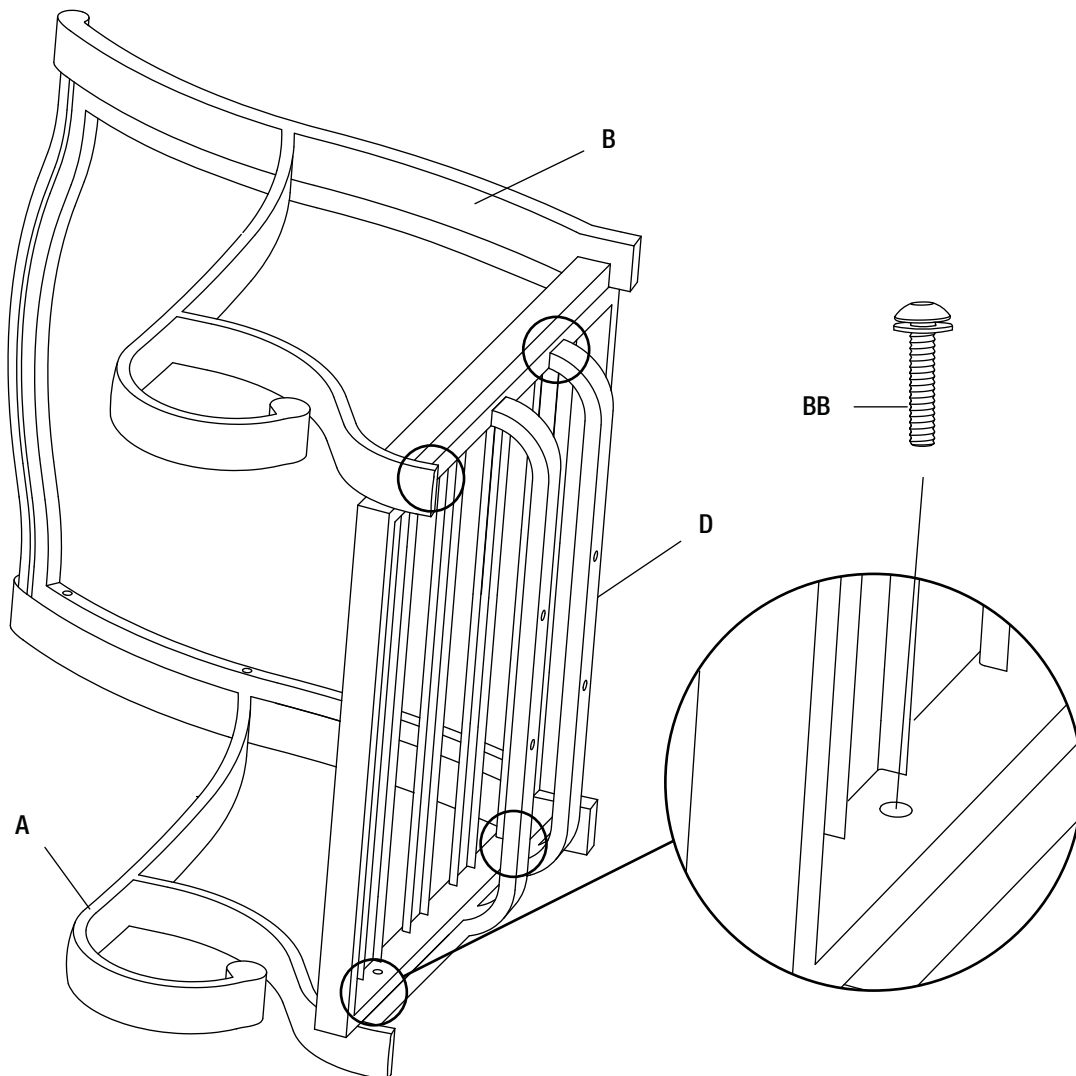
Chair Assembly (continued)

2 Attaching the chair seat to the chair arms

- Attach the chair seat (D) to the right and left arms (A & B) using M6x30 combination bolts (BB).



NOTE: Tighten all the bolts using the hex wrench (GG).



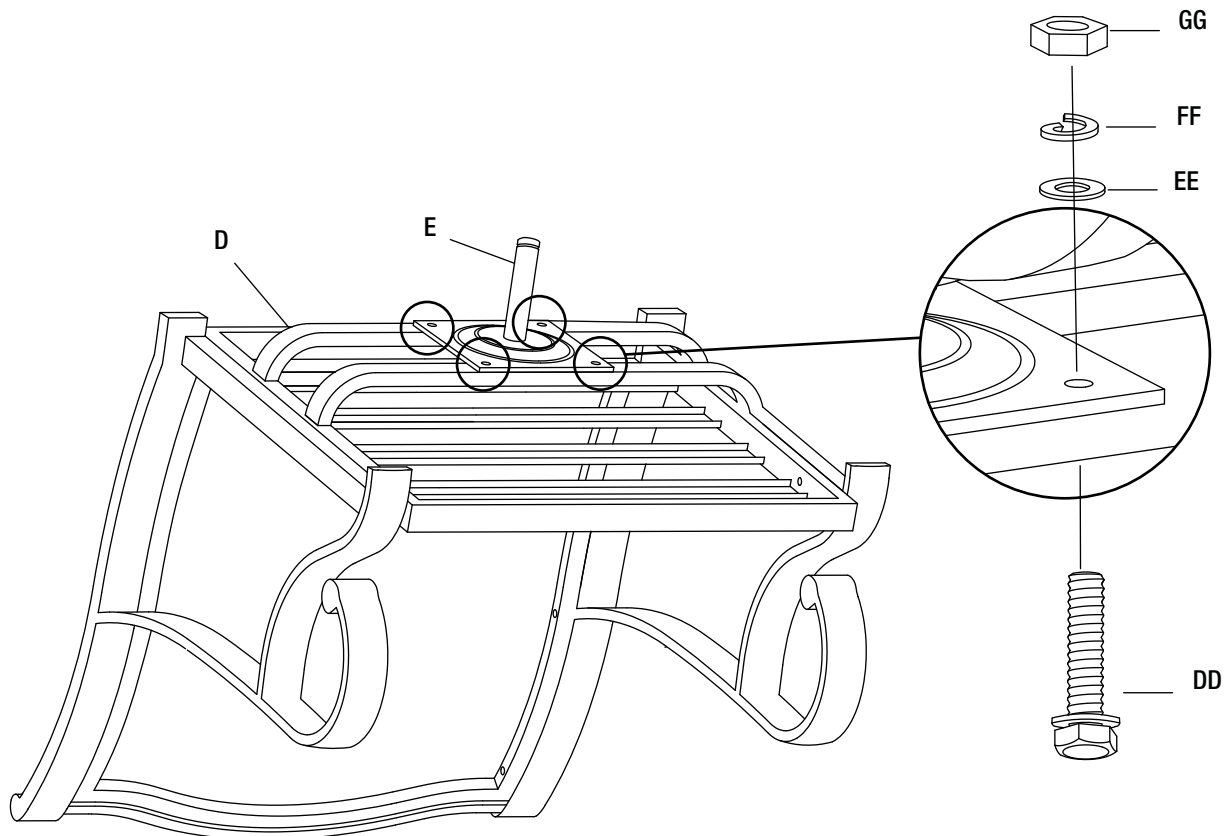
Chair Assembly (continued)

3 Attaching the chair seat to the chair base

- Place the assembled chair frame upside down on a soft surface.
- Attach the bottom of the chair seat (D) to the chair base (F) by inserting M8x35 combination hex bolts (CC) through the chair seat (D), the chair connector (E), M8 washers (DD), M8 spring washers (EE), and into M8 nuts (FF), as shown below.



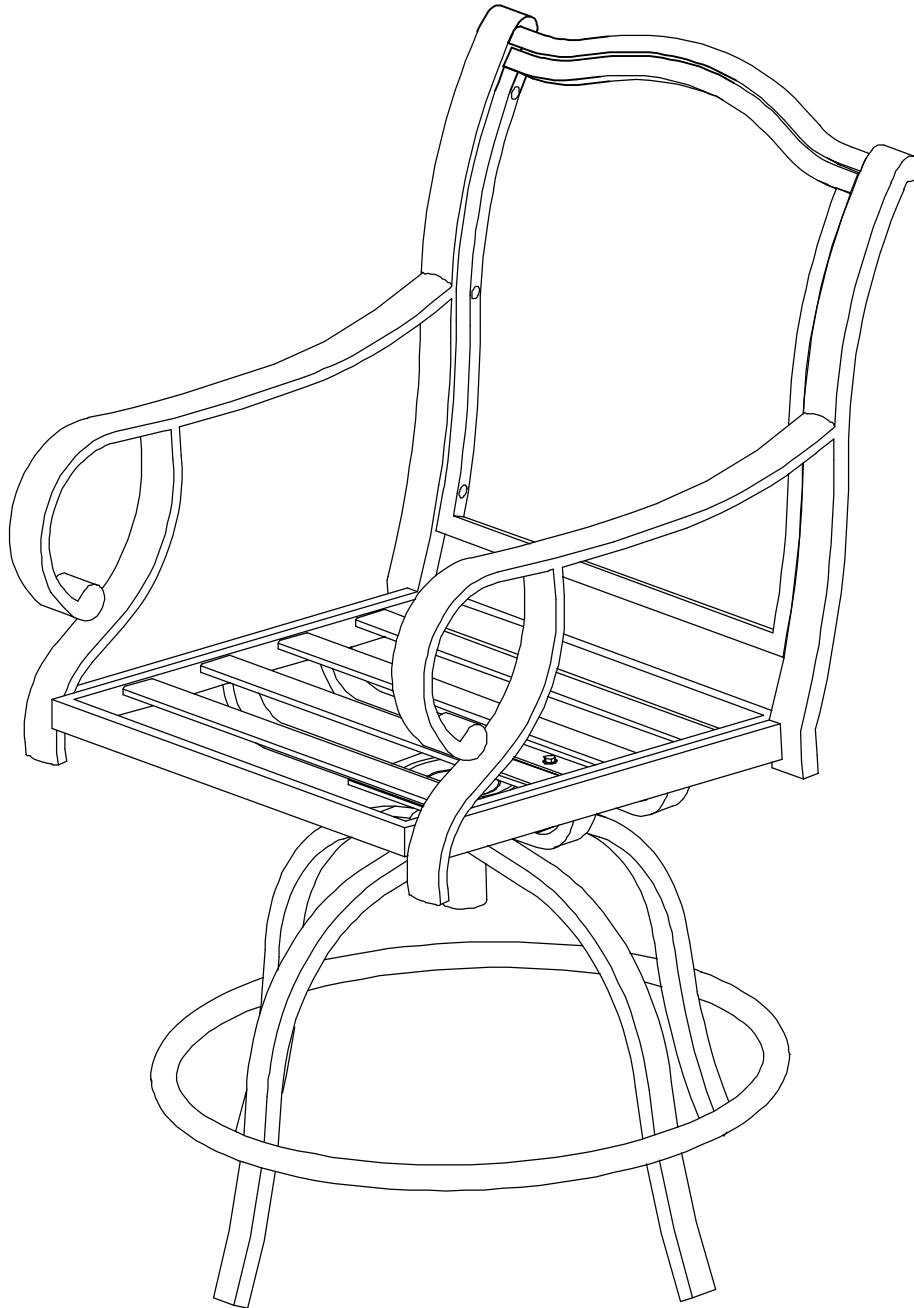
NOTE: Tighten all the bolts using the wrench (II).



Assembly (continued)

4 Tightening the bolts

- Once all bolts are in place, fully tighten all the bolts.
- Turn the chair right side up.
- Check and ensure the chair is tightly assembly and stable before use.



Chair Assembly (continued)

5 Place the seat cushion and the pillow

- Place the seat cushion (H) and the pillow (G) to finish the assembly of the chair.

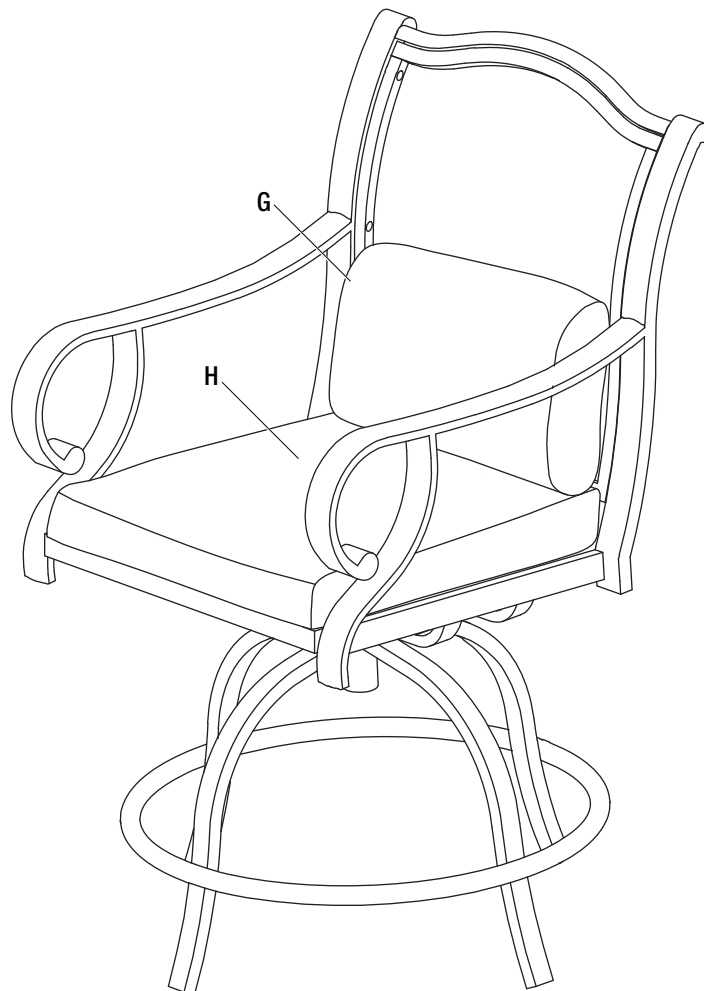


Table Assembly

1 Connecting the table legs

- Place the table top (I) upside down on a soft surface.
Attach the table legs (J) to the table top (I) using M6x30 combination bolts (BB).



NOTE: Loosely tighten all the bolts using the hex wrench (HH).

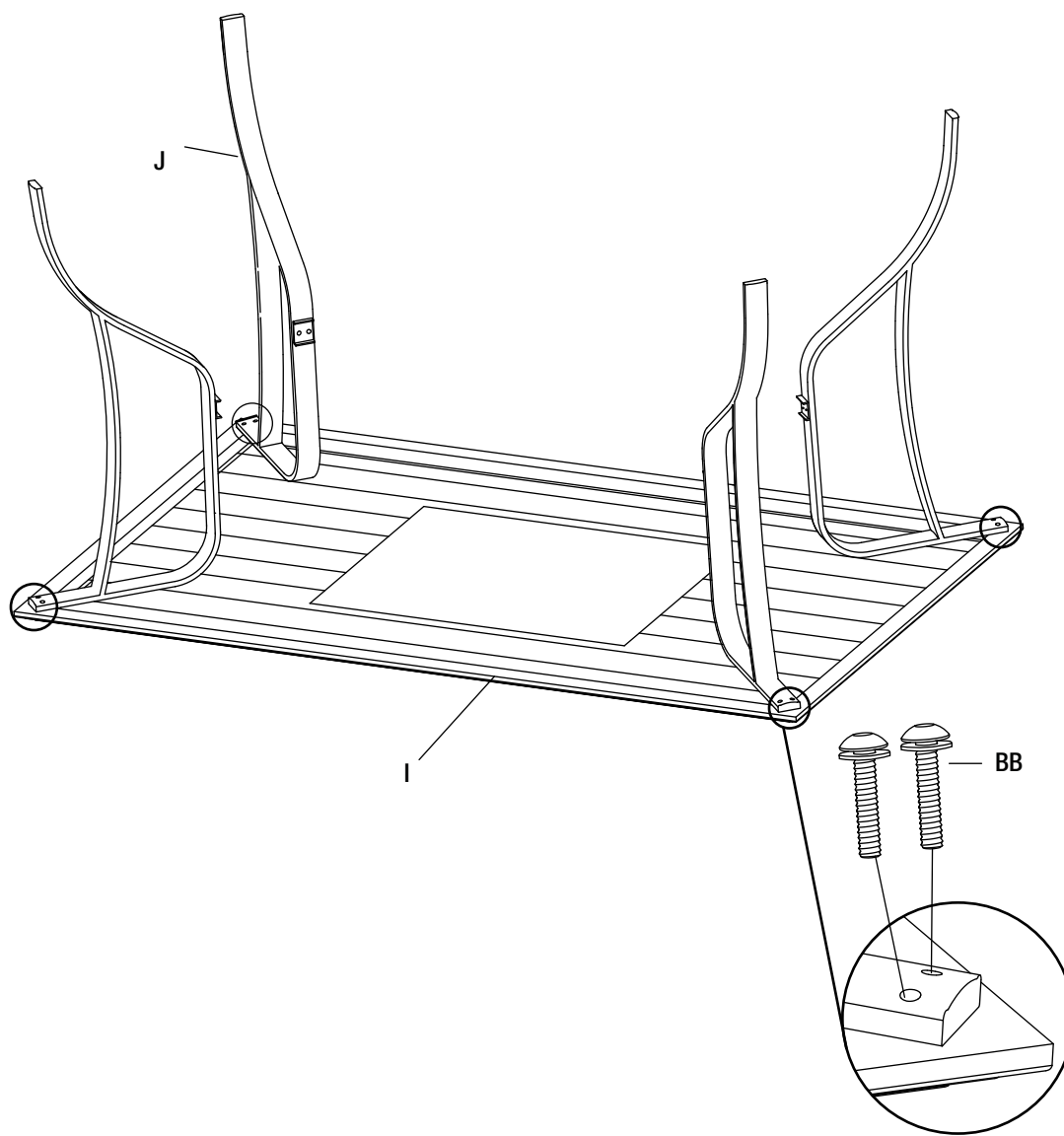


Table Assembly (continued)

2 Attaching the leg connector to the table legs

- Attach the leg connector (K) to the table legs (J) using M6x25 combination bolts (CC).



NOTE: Loosely tighten all the bolts using the hex wrench (HH).

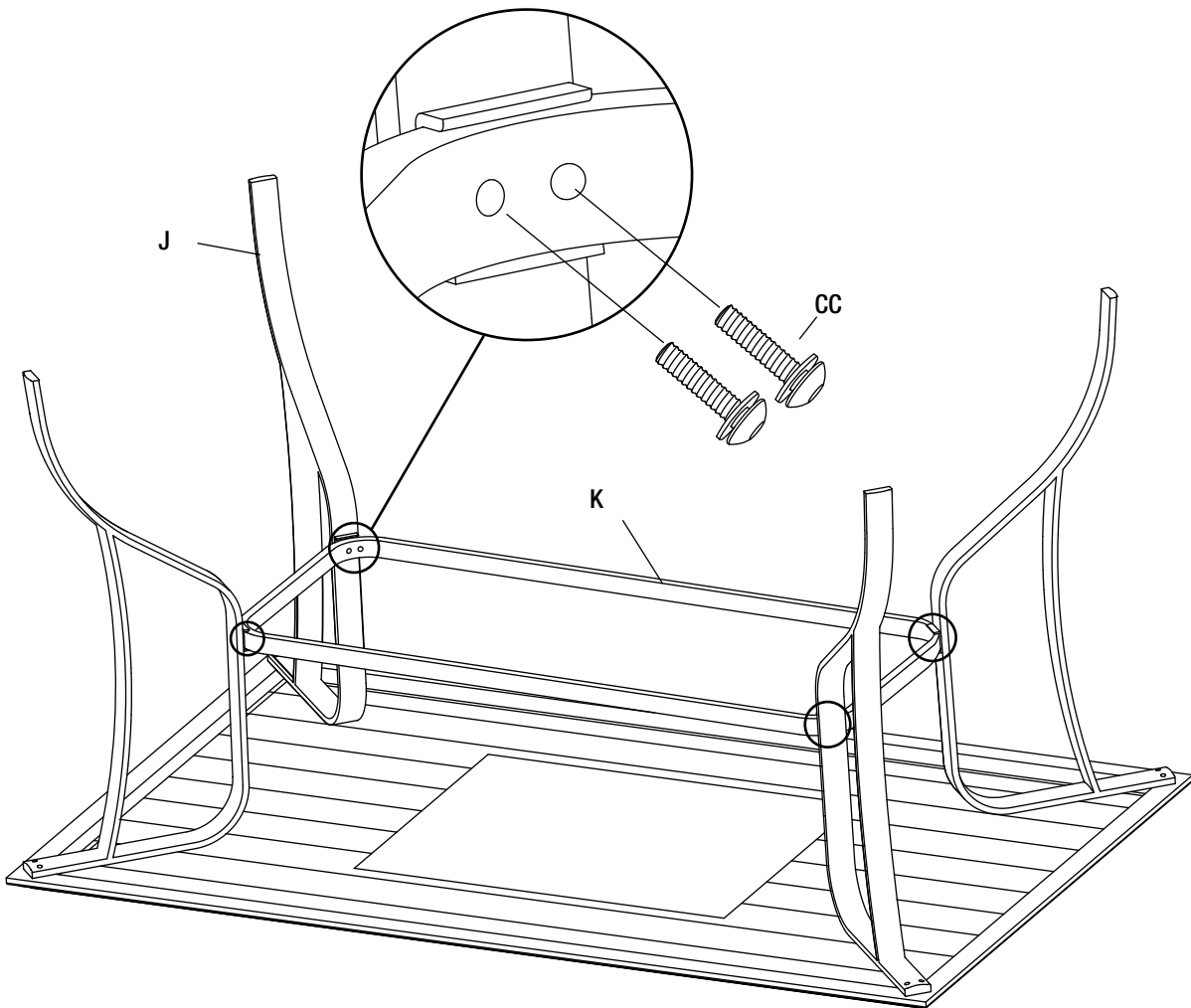
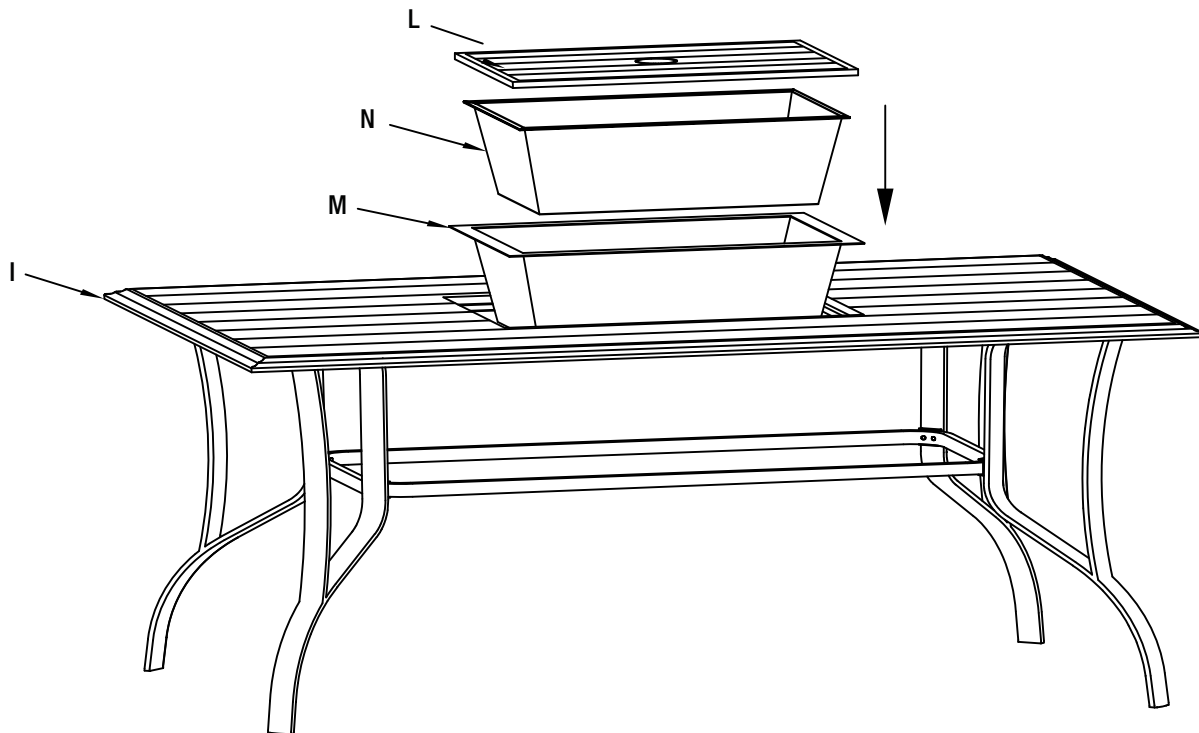


Table Assembly (continued)

3 Tightening the bolts and adding the ice bucket

- Once all the bolts are in place, fully tighten all the bolts.
- Turn the table right side up.
- Ensure that all connections are secure.
- Carefully place the ice bucket (M) into the table top (I), and put the ice pack (N) into the ice bucket (M), then put the lid (L) over the ice bucket (M) and ice pack (N).



Care and Cleaning

- For best results, clean the frame and fabric with a damp cloth and dry thoroughly. This will help prevent mildew by removing dirt particles that may accumulate.
- Do not clean with abrasive materials, bleach, or solvents.
- Store the set in a dry, sheltered place when not in use.
- Keep the set away from fire, extreme heat, freezing conditions, and inclement weather such as rain, hail, sleet, snow, or wind.



Questions, problems, missing parts? Before returning to the store,
call Hampton Bay Customer Service.
8 a.m. - 7 p.m., EST, Monday - Friday, 9 a.m. - 6 p.m., EST, Saturday

1-855-HD-HAMPTON

HAMPTONBAY.COM

Retain this manual for future use.