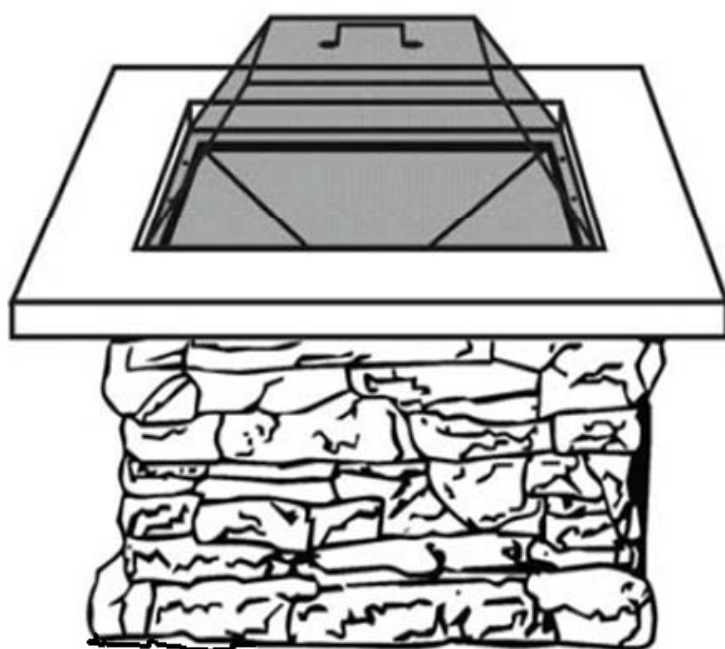


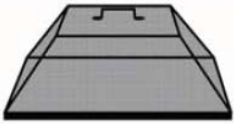

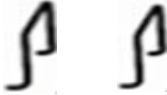

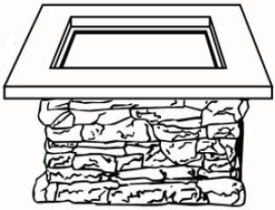
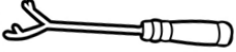
Assembly Instructions

Warnings: You must read this before you proceed.

FIREPIT



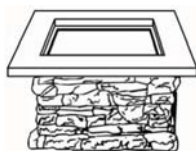
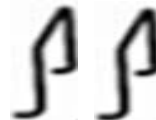
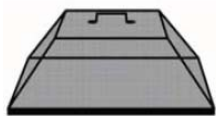
Parts List

Part NO.	Picture	Description	QTY
A		Spark Safeguard Screen	1 PC
B		Log Grill	1 PC
C		Separate Fire Bowl Handle	2 PCS
D		Fire Bowl	1PC
E		Fire Pit Main Frame	1PC
F		Hook Tool	1PC

Assembly Preparation

Before Beginning Assembly:

Unpack all the parts for a clear overview.



- Read instructions, cover to cover-



- Have 2 adults on hand for assembly-



- Do not assemble on flooring or carpet-



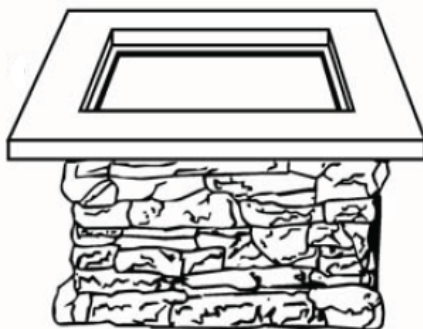
- Assemble on a clean non-marring surface (packing foam)-



- Save all packaging until finished-

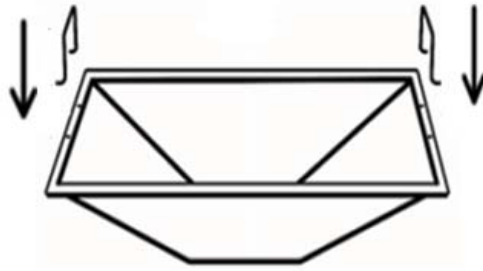
Assembly Steps

Step 1



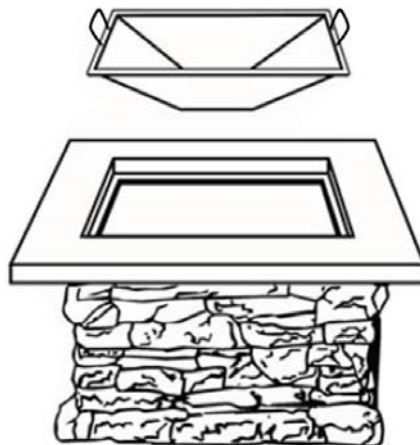
Unpack all components carefully from the package. Put the Fire Pit Body on a hard, level and non-combustible surface.

Step 2



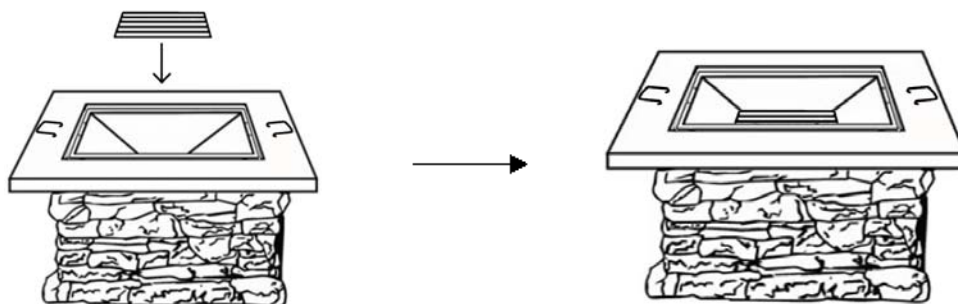
Insert Bowl Handles into the holes on the inside Fire Bowl wall, as depicted in the picture.

Step 3



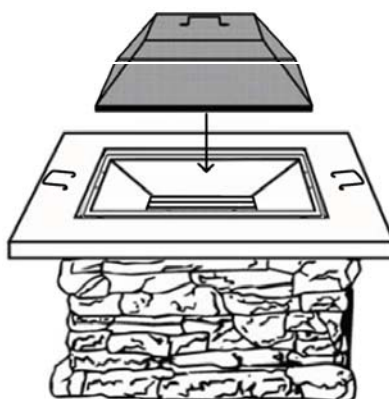
Put the Fire Bowl into the Fire Pit opening as shown in Step 3 above. Make sure it sits evenly in the frame housing.

Step 4



Take out the Handles after the Fire Bowl is placed inside the Fire Pit Main Housing. Place the Log Grill into the Fire Bowl.

Step 5



Put the Spark Safeguard Screen onto the top opening of the Fire Pit Body and make sure it sits into it evenly. The Firepit is ready for use.

CAUTION: Firepit will become hot during use and remain hot after use.

As the firepit is hot during or after using, Please do not touch it!

KEEP CHILDREN AT BAY DURING USE !!!

Keep away from combustible material and wooden & PE Rattan furniture during use !