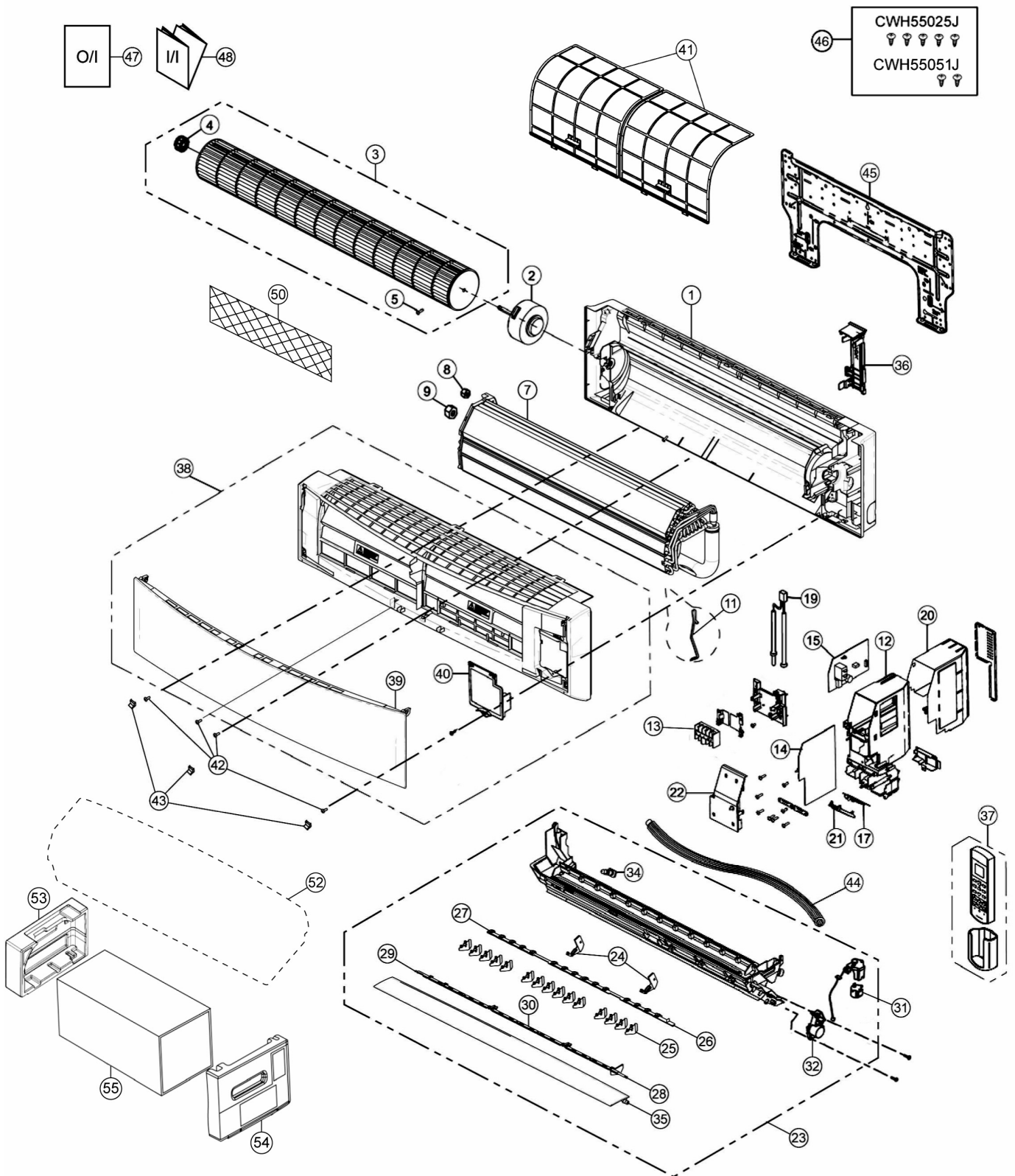


18. Exploded View and Replacement Parts List

18.1 Indoor Unit



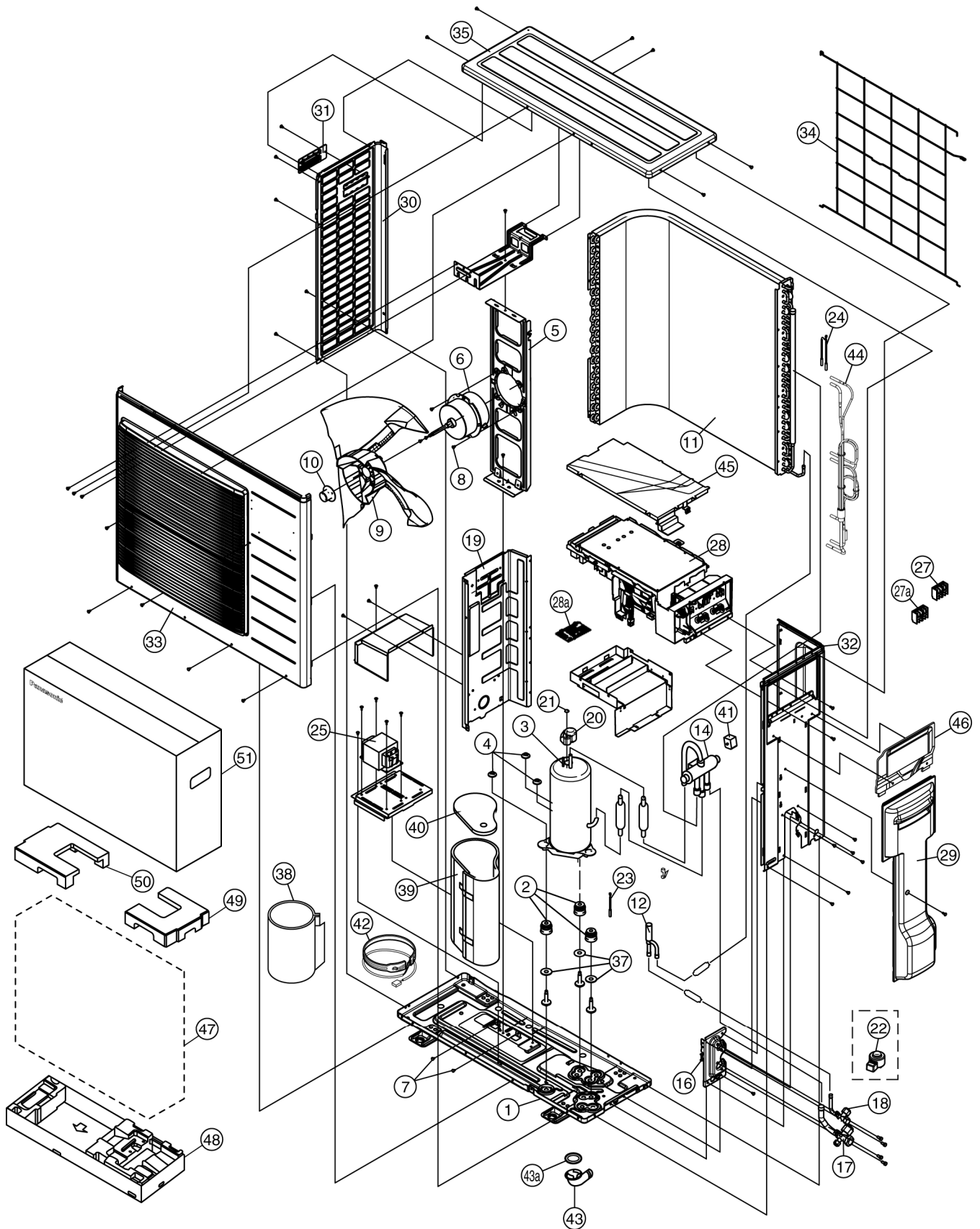
Note
 The above exploded view is for the purpose of parts disassembly and replacement.
 The non-numbered parts are not kept as standard service parts.

REF. NO.	PART NAME & DESCRIPTION	QTY.	CS-E18NKUA	CS-E24NKUA	REMARK
1	CHASSIS COMPLETE	1	CWD50C1637	←	
2	FAN MOTOR	1	ARW7663AC	←	O
3	CROSS FLOW FAN COMPLETE	1	CWH02C1077	←	
4	BEARING ASS'Y	1	CWH64K007	←	
5	SCREW - CROSS FLOW FAN	1	CWH551146	←	
7	EVAPORATOR	1	CWB30C3963	CWB30C3967	
8	FLARE NUT (LIQUID)	1	CWT251030	←	
9	FLARE NUT (GAS)	1	CWT251032	CWT251033	
11	HOLDER SENSOR	1	CWH32143	←	
12	CONTROL BOARD CASING	1	CWH102505	←	
13	TERMINAL BOARD COMPLETE	1	CWA28C2357	←	O
14	ELECTRONIC CONTROLLER - MAIN	1	CWA73C6805	CWA73C6806	O
15	ELECTRONIC CONTROLLER - POWER	1	CWA746567	←	O
17	ELECTRONIC CON-INDICATOR,RCVR	1	CWA747108	←	O
19	SENSOR COMPLETE	1	CWA50C2989	←	O
20	CONTROL BOARD TOP COVER	1	CWH131350	←	
21	INDICATOR HOLDER	1	CWD933021	←	
22	CONTROL BOARD FRONT COVER	1	CWH13C1201	←	
23	DISCHARGE GRILLE COMPLETE	1	CWE20C3049	←	
24	FULCRUM	2	CWH621103	←	
25	VERTICAL VANE	15	CWE241289	←	
26	CONNECTING BAR	1	CWE261156	←	
27	CONNECTING BAR	1	CWE261158	←	
28	CONNECTING BAR	1	CWE261157	←	
29	CONNECTING BAR	1	CWE261159	←	
30	CONNECTING BAR	1	CWE261160	←	
31	AIR SWING MOTOR	1	CWA98K1014	←	O
32	AIR SWING MOTOR	1	CWA981241	←	O
34	CAP - DRAIN TRAY	1	CWH521096	←	
35	HORIZONTAL VANE	1	CWE24C1295	←	
36	BACK COVER CHASSIS	1	CWD933031B	←	
37	REMOTE CONTROL COMPLETE	1	CWA75C3726	←	O
38	FRONT GRILLE COMPLETE	1	CWE11C4514	←	O
39	INTAKE GRILLE COMPLETE	1	CWE22C1483	←	O
40	GRILLE DOOR	1	CWE14C1029	←	
41	E-ION FILTER	2	CWD001283	←	
42	SCREW - FRONT GRILLE	4	XTT4+16CFJ	←	
43	CAP - FRONT GRILLE	3	CWH521194	←	
44	DRAIN HOSE	1	CWH851173	←	
45	INSTALLATION PLATE	1	CWH361098	←	
46	BAG COMPLETE - INSTALLATION SCREW	1	CWH82C1705	←	
47	OPERATING INSTRUCTION	1	CWF568726	←	
48	INSTALLATION INSTRUCTION	1	CWF615170	←	
50	AIR PURIFYING FILTER	1	CWD00C1141	←	
52	BAG	1	CWG861498	←	
53	SHOCK ABSORBER (L)	1	CWG713033	←	
54	SHOCK ABSORBER (R)	1	CWG713034	←	
55	C.C. CASE	1	CWG565069	←	

(Note)

- All parts are supplied from PAPAMY, Malaysia (Vendor Code: 00029488).
- "O" marked parts are recommended to be kept in stock.

18.2 Outdoor Unit



Note
The above exploded view is for the purpose of parts disassembly and replacement.
The non-numbered parts are not kept as standard service parts.

REF. NO.	PART NAME & DESCRIPTION	QTY.	CU-E18NKUA	CU-E24NKUA	REMARK
1	CHASSIS ASS'Y	1	CWD52K1228A	←	
2	ANTI-VIBRATION BUSHING	3	CWH50055	←	
3	COMPRESSOR	1	5KD240XAF21	←	O
4	NUT-COMPRESSOR MOUNT	3	CWH561049	←	
5	FAN MOTOR BRACKET	1	CWD541127	←	
6	FAN MOTOR	1	EHDS80CAC	←	O
7	SCREW - FAN MOTOR BRACKET	3	CWH551217	←	
8	SCREW - FAN MOTOR MOUNT	4	CWH551323	←	
9	PROPELLER FAN ASSY	1	CWH00K1006	←	
10	NUT - PROPELLER FAN	1	CWH561092	←	
11	CONDENSER	1	CWB32C3516	←	
12	EXPANSION VALVE	1	CWB051018J	←	
14	4-WAYS VALVE	1	CWB001057	←	
16	HOLDER - COUPLING	1	CWH351228A	←	
17	3 WAYS VALVE (GAS)	1	CWB011672	CWB011363	O
18	2 WAYS VALVE (LIQUID)	1	CWB021464	←	O
19	SOUND PROOF BOARD	1	CWH151197	←	
20	TERMINAL COVER	1	CWH171039A	←	
21	NUT-TERMINAL COVER	1	CWH7080300J	←	
22	V-COIL COMPLETE	1	CWA43C2393	←	
23	SENSOR COMPLETE	1	CWA50C2689	←	O
24	SENSOR COMPLETE	1	CWA50C2710	←	O
25	REACTOR	1	G0C452J00002	←	
27	TERMINAL BOARD ASSY	1	CWA28K1076J	←	O
27a	TERMINAL BOARD ASS'Y	1	CWA28K1277	←	
28	ELECTRONIC CONTROLLER - MAIN	1	CWA73C6800R	CWA73C6801R	O
28a	ELECTRONIC CONTROLLER - NF	1	CWA747077	←	
29	CONTROL BOARD COVER CO.	1	CWH13C1210	←	
30	CABINET SIDE PLATE (LEFT)	1	CWE041490A	←	
31	HANDLE	1	CWE161010	←	
32	CABINET SIDE PLATE(R)	1	CWE041488A	←	
33	CABINET FRONT PLATE CO.	1	CWE06K1070	←	
34	WIRE NET	1	CWD041128A	←	
35	CABINET TOP PLATE	1	CWE031131A	←	
37	PACKING	3	CWB81043	←	
38	SOUND PROOF MATERIAL	1	CWG302510	←	
39	SOUND PROOF MATERIAL	1	CWG302245	←	
40	SOUND PROOF MATERIAL	1	CWG302246	←	
41	V-COIL COMPLETE	1	CWA43C2392	←	
42	HEATER	1	CWA341067	←	
43	FLEXIBLE PIPE (L-TUBE)	1	CWH5850080	←	
43a	PACKING - L.TUBE	1	CWB81012	←	
44	CAPILLARY TUBE ASS'Y	1	CWT01C6093	←	
45	CONTROL BOARD COVER - TOP	1	CWH131333	←	
46	PLATE - C.C. COVER TERMINAL	1	CWH131332	←	
47	BAG	1	CWG861154	←	
48	BASE BOARD - COMPLETE	1	CWG62C1082	←	
49	SHOCK ABSORBER (R)	1	CWG712879	←	
50	SHOCK ABSORBER (L)	1	CWG712880	←	
51	C.C. CASE	1	CWG565614	←	

(Note)

- All parts are supplied from PAPAMY, Malaysia (Vendor Code: 00029488).

"O" marked parts are recommended to be kept in stock.

Printed in Malaysia
FY0412-0