

# SPEAKMAN®

## SC-1210-AF and SC-1220-AF Series Installation, Operation, & Maintenance Instructions COMMANDER EXPOSED SHOWER

### DESCRIPTION

Speakman Commander exposed shower on 6" centers. 1/4 turn ceramic cartridges covered by 25-year warranty. Chrome plated patented vandal-resistant four arm handles with color-coded indexes. Reversible valve bodies. S-2272-E2 Showerhead rated at 2.0 gpm/7.6 lpm maximum to meet existing ASME A112.18.1/CSA B125.1 standard. Polished chrome plated brass body, gooseneck with support strap, and supply pipes (SC-1210-AF only). Rough chrome plated brass body and galvanized gooseneck with support strap (SC-1220-AF).

### SPECIFICATIONS

SUPPLY: 1/2 NPT Male (SC-1210-AF), 1/2 NPT Female (SC-1220-AF).  
FLOW RATE: 2.0 GPM/7.6 LPM MAX.  
SHIPPING WEIGHT: SC-1210-AF: 12.2 LBS, SC-1220-AF: 5.5 LBS

### OPTIONS

LH- Less Showerhead	LSP- Less Supply Pipe (SC-1210-AF only)	S-2251 Showerhead
S-2252 Showerhead	S-2252-VR Vandal Resistant showerhead	S-2253 Showerhead
S-2292 Showerhead		

### INSTALLATION INSTRUCTIONS

NOTE- Shut off water supplies. Supplies must be on 6" centers. Recommended height from center of valve body to floor is 54". Valve body is reversible to take supplies from below.

- 1) FITTING WITH WALL FLANGE: Apply pipe sealant to one end of supply pipes (provided). Screw pipes into supply lines. NOTE- Supply lines must have 1/2 NPT female threaded ends and be 1-1/8" from center of supply line to finished wall.  
FITTING WITH LUGS: NOTE- Supply lines must have 1/2 NPT male threaded ends and be 7/8" from center of supply line to finished wall.
- 2) Apply sealant to threads of supply lines. Slip coupling nuts onto lines and screw swivels up hand tight. Gripping on small diameter of swivels with a pipe wrench, tighten pipes and/or swivels.
- 3) Slip strap onto gooseneck. Apply sealant to inlet threads of gooseneck and screw into valve body. Tighten and position outlet with valve body.
- 4) Placing rubber washers on inlets of valve body, position body assembly up to swivels and tighten coupling nuts. Hold assembly up against wall and mark location of mounting holes for valve body and gooseneck strap. NOTE: Gooseneck strap location optional. Disconnect assembly from supply lines.
- 5) Drill starter holes for mounting screws. NOTE: Wall must be supported where body and strap mounts.
- 6) Connect valve assembly to supply lines and tighten coupling nuts with wrench. Fasten body and strap to wall using (4) wood screws provided.
- 7) Turn water supplies on and flush both hot and cold sides of fitting.
- 8) Apply sealant to threads of gooseneck. Screw showerhead onto gooseneck and tighten with pipe wrench. Check all connections for leaks.

## SPEAKMAN®

400 Anchor Mill Rd. New Castle, DE 19720 Phone: 800-537-2107  
09/13 Visit us on the web at [www.speakmancompany.com](http://www.speakmancompany.com)

Fax: 800-977-2747  
92-SC-1210-1220-R4

## OPERATION

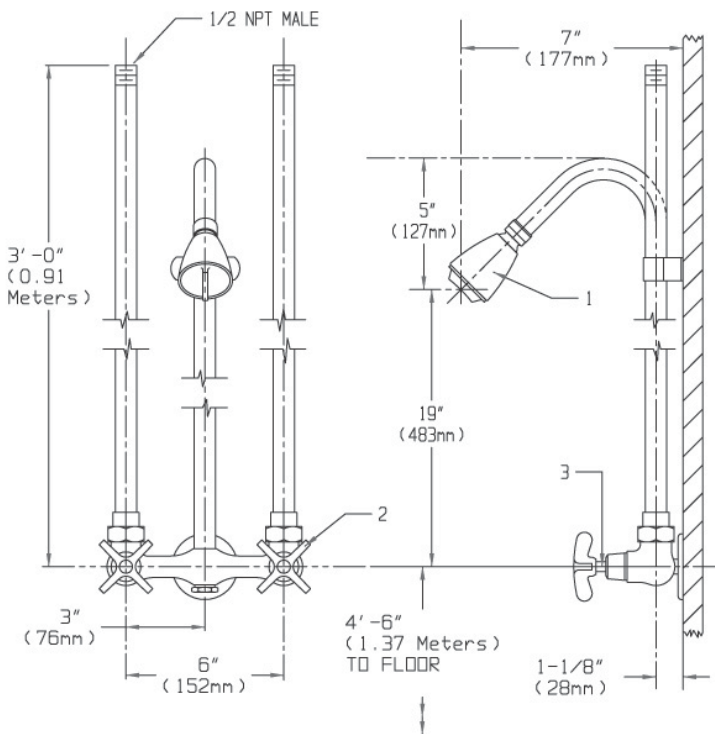
Simply rotate the handles  $\frac{1}{4}$  turn maximum to operate the exposed shower.

## MAINTENANCE (CARE and CLEANING)

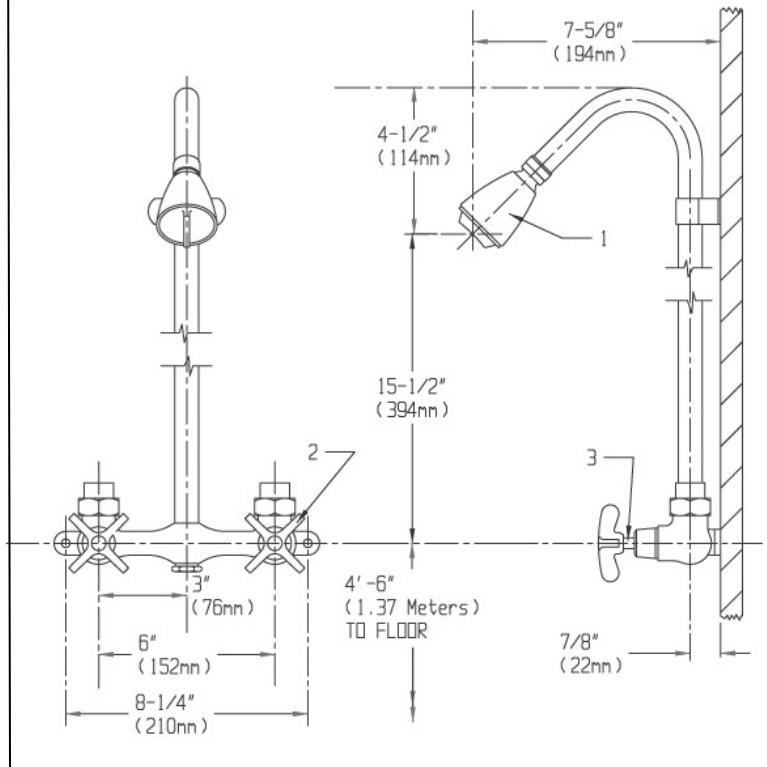
The shower valves are washerless and require no routine maintenance. The gleaming finish of your SPEAKMAN Commander shower can be cleaned by using mild soap and warm water. Dry immediately with a soft, clean cloth for best results. To remove the index button on the vandal resistant handles, locate knockout hole on handle underneath one of the arms of the handle. Insert a rigid pin ( $\frac{1}{8}$ " diameter or smaller) into hole and knockout index button.

## ROUGH-IN MEASUREMENTS

### SC-1210-AF



### SC-1220-AF



### NOTES:

- 1) ALL DIMENSIONS ARE IN INCHES (MILLIMETERS) UNLESS OTHERWISE SPECIFIED AND ARE SUBJECT TO CHANGE WITHOUT NOTICE.
- 2) UNLESS OTHERWISE SPECIFIED ALL INLETS ARE  $\frac{1}{2}$ " NPT FEMALE.

## REPAIR/REPLACEMENT PARTS

ITEM NUMBER	PART/GROUP #	DESCRIPTION
1	S-2272-E2	SHOWERHEAD
2	RPG04-0323-PC	HANDLE REPAIR GROUP (INCLUDES HANDLE, SCREW, SLEEVE, & INDEXES)
3	RPG05-0532	VALVE CARTRIDGE GROUP (RED) W/ TRIM SLEEVE AND SCREW

## SPEAKMAN®

400 Anchor Mill Rd. New Castle, DE 19720 Phone: 800-537-2107  
09/13 Visit us on the web at [www.speakmancompany.com](http://www.speakmancompany.com)

Fax: 800-977-2747  
92-SC-1210-1220-R4