

Before returning this product call

1-800-4-DEWALT

IF YOU SHOULD EXPERIENCE A PROBLEM WITH YOUR DEWALT PURCHASE,

CALL 1-800-4 DEWALT

IN MOST CASES, A DEWALT REPRESENTATIVE CAN RESOLVE YOUR
PROBLEM OVER THE PHONE.

IF YOU HAVE A SUGGESTION OR COMMENT, GIVE US A CALL.
YOUR FEEDBACK IS VITAL TO THE SUCCESS OF DEWALT'S QUALITY
IMPROVEMENT PROGRAM.

Questions? See us on the World Wide Web at www.dewalt.com

**INSTRUCTION MANUAL
GUIDE D'UTILISATION
MANUAL DE INSTRUCCIONES**

INSTRUCTIVO DE OPERACIÓN, CENTROS DE SERVICIO Y PÓLIZA
DE GARANTÍA. **ADVERTENCIA:** LÉASE ESTE INSTRUCTIVO ANTES
DE USAR EL PRODUCTO.

DEWALT®

DW717 (120 Volt), DW717 (230 Volt) 10" (254 mm) Double Bevel Sliding Compound Miter Saw

DW717 (120 Volt), DW717 (230 Volt) Scie coulissante à onglet mixte 254 mm (10 po)

**DW717 (120 Voltios), DW717 (230 Voltios) Sierra ingletadora compuesta deslizante de
doble bisel de 254 mm (10 pulg.)**

TABLE OF CONTENTS

DOUBLE INSULATION/POLARIZED PLUG INSTRUCTIONS.....	2	BRUSHES.....	9
SAFETY INSTRUCTIONS FOR ALL TOOLS.....	2	CONTROLS.....	9
ADDITIONAL SAFETY RULES.....	3	OPERATION.....	9
ELECTRICAL CONNECTION.....	4	SWITCH.....	9
ACCESSORIES.....	4	CUTTING WITH YOUR SAW.....	9
BLADE DESCRIPTIONS.....	5	CROSSCUTS.....	10
UNPACKING YOUR SAW.....	5	BEVEL CUTS.....	10
SPECIFICATIONS.....	5	QUALITY OF CUT.....	10
FAMILIARIZATION.....	6	BODY AND HAND POSITION.....	11
BENCH MOUNTING.....	6	CLAMPING THE WORKPIECE.....	11
CHANGING OR INSTALLING A NEW SAW BLADE.....	6	SUPPORT FOR LONG PIECES.....	11
REMOVING THE BLADE.....	6	CUTTING PICTURE FRAMES, SHADOW BOXES AND OTHER FOUR-SIDED PROJECTS.....	11
INSTALLING THE BLADE.....	6	CUTTING TRIM MOLDING AND OTHER FRAMES.....	11
TRANSPORTING THE SAW.....	7	CUTTING COMPOUND MITERS.....	12
ADJUSTMENTS.....	7	CUTTING BASE MOLDINGS.....	12
MITER SCALE ADJUSTMENT.....	7	CUTTING CROWN MOLDING.....	12
MITER POINTER ADJUSTMENT.....	8	SPECIAL CUTS.....	13
BEVEL SQUARE TO TABLE.....	8	REMOVING AND REPLACING THE BELT.....	14
BEVEL POINTER.....	8	MAINTENANCE.....	14
BEVEL STOP.....	8	SERVICE INFORMATION.....	14
FENCE ADJUSTMENT.....	8	WARRANTY.....	15
AUTOMATIC ELECTRIC BRAKE.....	8	TROUBLESHOOTING GUIDE.....	15
GUARD ACTUATION AND VISIBILITY.....	8	TABLE 1: COMPOUND MITER CUT.....	16
KERF PLATE ADJUSTMENT.....	9		
RAIL GUIDE ADJUSTMENT.....	9		
MITER LOCK ADJUSTMENT.....	9		

Definitions: Safety Guidelines

The definitions below describe the level of severity for each signal word. Please read the manual and pay attention to these symbols.

▲DANGER: Indicates an imminently hazardous situation which, if not avoided, will result in **death or serious injury**.

▲WARNING: Indicates a potentially hazardous situation which, if not avoided, could result in **death or serious injury**.

▲CAUTION: Indicates a potentially hazardous situation which, if not avoided, may result in **minor or moderate injury**.

CAUTION: Used without the safety alert symbol indicates a potentially hazardous situation which, if not avoided, may result in **property damage**.

IF YOU HAVE ANY QUESTIONS OR COMMENTS ABOUT THIS OR ANY DEWALT TOOL, CALL US TOLL FREE AT: **1-800-4-DEWALT (1-800-433-9258)**

Important Safety Instructions

▲WARNING: Read all instructions before operating product. Failure to follow all instructions listed below may result in electric shock, fire and/or serious injury.

READ ALL INSTRUCTIONS

Double Insulation

Double insulated tools are constructed throughout with two separate layers of electrical insulation or one double thickness of insulation between you and the tool's electrical system. Tools built with this insulation system are not intended to be grounded. As a result, your tool is equipped with a two prong plug which permits you to use extension cords without concern for maintaining a ground connection.

NOTE: Double insulation does not take the place of normal safety precautions when operating this tool. The insulation system is for added protection against injury resulting from a possible electrical insulation failure within the tool.

▲CAUTION: WHEN SERVICING USE ONLY IDENTICAL REPLACEMENT PARTS. Repair or replace damaged cords.

Polarized Plugs

Polarized plugs (one blade is wider than the other) are used on equipment to reduce the risk of electric shock. When provided, this plug will fit in the polarized outlet only one way. If the plug does not fit fully in the outlet, reverse the plug. If it still does not fit, contact a qualified electrician to install the proper outlet. Do not change the plug in any way.

Safety Instructions For All Tools

▲WARNING: To reduce the risk of eye injury, **ALWAYS** use eye protection when operating the miter saw.

This miter saw accepts the DEWALT worklight and laser attachments.

- **KEEP GUARD IN PLACE** and in working order.
- **REMOVE ADJUSTING KEYS AND WRENCHES.** Form habit of checking to see that keys and adjusting wrenches are removed from spindle before turning tool on. Tools, scrap pieces, and other debris can be thrown at high speed, causing injury.
- **KEEP WORK AREA CLEAN.** Cluttered areas and benches invite accidents.
- **DO NOT USE THE MACHINE IN A DANGEROUS ENVIRONMENT.** The use of power tools in damp or wet locations or in rain can cause shock or electrocution. Keep your work area well-lit to avoid tripping or placing arms, hands, and fingers in danger.
- **KEEP CHILDREN AWAY.** All visitors should be kept at a safe distance from work area. Your shop is a potentially dangerous environment.

- **MAKE WORKSHOP CHILDPROOF** with padlocks, master switches, or by removing starter keys. The unauthorized start-up of a machine by a child or visitor may result in injury.
- **DON'T FORCE TOOL.** It will do the job better and be safer at the rate for which it was designed.
- **USE RIGHT TOOL.** Don't force tool or attachment to do a job for which it was not designed. Using the incorrect tool or attachment may result in personal injury.
- **WEAR PROPER APPAREL.** No loose clothing, gloves, neckties, rings, bracelets, or other jewelry to get caught in moving parts. Non-slip footwear is recommended. Wear protective hair covering to contain long hair. Air vents may cover moving parts and should also be avoided.
- **ALWAYS USE SAFETY GLASSES.** Everyday eyeglasses are NOT safety glasses. Also use face or dust mask if cutting operation is dusty. **ALWAYS WEAR CERTIFIED SAFETY EQUIPMENT:**
 - ANSI Z87.1 eye protection (CAN/CSA Z94.3)
 - ANSI S12.6 (S3.19) hearing protection
 - NIOSH/OSHA/MSHA respiratory protection
- **SECURE THE WORKPIECE.** Use clamps or a vise to hold the workpiece on the table and against the fence or when your hand will be dangerously close to the blade [within 6" (152.4 mm)]. It is safer than using your hand and it frees both hands to operate tool.
- **DON'T OVERREACH.** Keep proper footing and balance at all times. Loss of balance may cause personal injury.
- **MAINTAIN TOOLS WITH CARE.** Keep tools sharp and clean for best and safest performance. Follow instructions for lubricating and changing accessories. Poorly maintained tools and machines can further damage the tool or machine and/or cause injury.
- **TURN THE MACHINE "OFF", AND DISCONNECT THE MACHINE FROM THE POWER SOURCE** before installing or removing accessories, before adjusting or changing set-ups, when making repairs or changing locations. An accidental start-up can cause injury. Do not touch the plug's metal prongs when unplugging or plugging in the cord.
- **REDUCE THE RISK OF UNINTENTIONAL STARTING.** Make sure that the switch is in the "OFF" position before plugging in the power cord.
- **USE PROPER EXTENSION CORD.** Make sure your extension cord is in good condition. If your product is equipped with a cordset, use only 3-wire extension cords that have 3-prong grounding-type plugs and 3-pole receptacles that accept the tool's plug. When using an extension cord, be sure to use one heavy enough to carry the current your product will draw. An undersized cord will cause a drop in line voltage resulting in loss of power and overheating. The following table shows the correct size to use depending on cord length and nameplate ampere rating. If in doubt, use the next heavier gauge. The smaller the gauge number, the heavier the cord.

Volts	Minimum Gauge for Cord Sets				
	Total Length of Cord in Feet				
120V	0-25	26-50	51-100	101-150	
240V	0-50	51-100	101-200	201-300	
Ampere Rating					
More Than	Not more Than	AWG			
0 -	6	18	16	16	14
6 -	10	18	16	14	12
10 -	12	16	16	14	12
12 -	16	14	12	Not Recommended	

- **CHECK FOR DAMAGED PARTS.** Before further use of the tool, a guard or other part that is damaged should be carefully checked to determine that it will operate properly and perform its intended function—check for alignment of moving parts, binding of moving parts, breakage of parts, mounting and any other conditions that may affect its operation. A guard or other part that is damaged should be properly repaired or replaced. Do not use tool if switch does not turn it on and off.
- **USE RECOMMENDED ACCESSORIES.** Use only accessories that are recommended by the manufacturer for your model. Accessories that may be suitable for one tool may be hazardous when used on another tool. Consult the instruction manual for recommended accessories. The use of improper accessories may cause risk of injury to persons.
- **NEVER STAND ON TOOL.** Serious injury could occur if the tool is tipped or if the cutting tool is unintentionally contacted.
- **NEVER LEAVE TOOL RUNNING UNATTENDED. TURN POWER OFF.** Don't leave tool until it comes to a complete stop. Serious injury can result.
- **DO NOT OPERATE ELECTRIC TOOLS NEAR FLAMMABLE LIQUIDS OR IN GASEOUS OR EXPLOSIVE ATMOSPHERES.** Motors in these tools may spark and ignite fumes.
- **STAY ALERT, WATCH WHAT YOU ARE DOING, AND USE COMMON SENSE. DO NOT USE THE MACHINE WHEN YOU ARE TIRED OR UNDER THE INFLUENCE OF DRUGS or ALCOHOL.** A moment of inattention while operating power tools may result in injury.

Additional Safety Rules For Miter Saws

▲ WARNING: Do not allow familiarity (gained from frequent use of your saw) to replace safety rules. Always remember that a careless fraction of a second is sufficient to inflict severe injury.

- **DO NOT OPERATE THIS MACHINE** until it is completely assembled and installed according to the instructions. A machine incorrectly assembled can cause serious injury.
- **OBTAIN ADVICE** from your supervisor, instructor, or another qualified person if you are not thoroughly familiar with the operation of this machine. Knowledge is safety.
- **STABILITY.** Make sure the miter saw is placed on a secure supporting surface and does not slip or move during use. If the mobility kit is installed, raise the moveable caster(s) so saw is in its stationary position.
- **FOLLOW ALL WIRING CODES** and recommended electrical connections to prevent shock or electrocution. Protect electric supply line with at least a 15 ampere time-delay fuse or a circuit breaker.”
- **MAKE CERTAIN** the blade rotates in the correct direction. The teeth on the blade should point in the direction of rotation as marked on the saw.
- **TIGHTEN ALL CLAMP HANDLES,** knobs and levers prior to operation. Loose clamps can cause parts or the workpiece to be thrown at high speeds.
- **BE SURE** all blade and blade clamps are clean, recessed sides of blade clamps are against blade and arbor screw is tightened securely. Loose or improper blade clamping may result in damage to the saw and possible personal injury.
- **ALWAYS USE A SHARP BLADE.** Check the blade to see if it runs true and is free from vibration. A dull or a vibrating blade can cause damage to the machine and/or serious injury.
- **DO NOT OPERATE ON ANYTHING OTHER THAN THE DESIGNATED VOLTAGE** for the saw. Overheating, damage to the tool and personal injury may occur.
- **DO NOT WEDGE ANYTHING AGAINST THE FAN** to hold the motor shaft. Damage to tool and possible personal injury may occur.
- **DO NOT** force cutting action. Stalling or partial stalling of motor can cause damage. To the machine or blade and/or serious injury.
- **ALLOW THE MOTOR TO COME TO FULL SPEED** prior to starting cut. Starting the cut too soon may cause damage to the machine or blade and/or serious injury.
- **NEVER CUT FERROUS METALS** (Those with any iron or steel content) or masonry. Either of these can cause the carbide tips to fly off the blade at high speeds causing serious injury.
- **DO NOT USE ABRASIVE WHEELS.** The excessive heat and abrasive particles generated by them may damage the saw and cause personal injury.
- **NEVER** have any part of your body in line with the path of the saw blade. Personal injury will occur.
- **NEVER** apply blade lubricant to a running blade. Applying lubricant could cause your hand to move into the blade resulting in serious injury.
- **DO NOT** place either hand in the blade area when the saw is connected to the power source. Inadvertent blade activation may result in serious injury.
- **DO NOT PERFORM FREE-HAND OPERATIONS** (workpiece not supported by table and fence). Hold the work firmly against the fence and table. Free-hand operations on a miter saw could cause the workpiece to be thrown at high speeds, causing serious injury.
- **NEVER REACH AROUND** or behind the saw blade. A blade can cause serious injury.
- **DO NOT** reach underneath the saw unless it is unplugged and turned off. Contact with saw blade may cause personal injury.
- **SECURE THE MACHINE TO A STABLE SUPPORTING SURFACE.** Vibration can possibly cause the machine to slide, walk, or tip over, causing serious injury.
- **USE ONLY CROSSCUT SAW BLADES** recommended for miter saws. For best results, use only zero-degree or negative hook angles when using carbide-tipped blades. Do not use blades with deep gullets. These can deflect and contact the guard, and can cause damage to the machine and/or serious injury.
- **USE ONLY BLADES OF THE CORRECT SIZE AND TYPE** specified for this tool to prevent damage to the machine and/or serious injury.
- **INSPECT BLADE FOR CRACKS** or other damage prior to operation. A cracked or damaged blade can come apart and pieces can be thrown at high speeds, causing serious injury. Replace cracked or damaged blades immediately.
- **CLEAN THE BLADE AND BLADE CLAMPS** prior to operation. Cleaning the blade and blade clamps allows you to check for any damage to the blade or blade clamps. A cracked or damaged blade or blade clamp can come apart and pieces can be thrown at high speeds, causing serious injury.
- **DO NOT** use lubricants or cleaners (particularly spray or aerosol) in the vicinity of the plastic guard. The polycarbonate material used in the guard is subject to attack by certain chemicals.
- **ALWAYS USE THE KERF PLATE AND REPLACE THIS PLATE WHEN DAMAGED.** Small chip accumulation under the saw may interfere with the saw blade or may cause instability of workpiece when cutting.
- **USE ONLY BLADE CLAMPS** specified for this tool to prevent damage to the machine and/or serious injury.
- **CLEAN THE MOTOR AIR SLOTS** of chips and sawdust. Clogged motor air slots can cause the machine to overheat, damaging the machine and possibly causing a short which could cause serious injury.
- **KEEP ARMS, HANDS, AND FINGERS** away from the blade to prevent severe cuts. Clamp all workpieces that would cause your hand to be within [within 6" (152.4 mm)] of the saw blade.
- **NEVER LOCK THE SWITCH IN THE “ON”** position. Severe personal injury may result.

- **TURN OFF THE MACHINE** and allow the blade to come to a complete stop before raising the arm and prior to cleaning the blade area, removing debris in the path of the blade, before servicing or adjusting tool. A moving blade can cause serious injury.
- **PROPERLY SUPPORT LONG OR WIDE WORKPIECES.** Loss of control of the workpiece can cause injury.
- **NEVER** cross arms in front of blade while using tool. Always make a dry run (unpowered) before making a finish cut so that you can check the path of the blade or severe personal injury may result.
- **ADDITIONAL INFORMATION** regarding the safe and proper operation of power tools (i.e. a safety video) is available from the Power Tool Institute, 1300 Sumner Avenue, Cleveland, OH 44115-2851 (www.powertoolinstitute.com). Information is also available from the National Safety Council, 1121 Spring Lake Drive, Itasca, IL 60143-3201. Please refer to the American National Standards Institute ANSI 01.1 Safety Requirements for Woodworking Machines and the U.S. Department of Labor OSHA 1910.213 Regulations.

⚠ CAUTION: Do not connect unit to electrical power source until complete instructions are read and understood.

⚠ WARNING: Always wear proper personal hearing protection that conforms to ANSI S12.6 (S3.19) during use. Under some conditions and duration of use, noise from this product may contribute to hearing loss.

⚠ WARNING: NEVER MAKE ANY CUT UNLESS THE MATERIAL IS SECURED ON THE TABLE AND AGAINST THE FENCE.

⚠ WARNING: Some dust created by power sanding, sawing, grinding, drilling, and other construction activities contains chemicals known to cause cancer, birth defects or other reproductive harm. Some examples of these chemicals are:

- lead from lead-based paints,
- crystalline silica from bricks and cement and other masonry products, and
- arsenic and chromium from chemically-treated lumber (CCA).

Your risk from these exposures varies, depending on how often you do this type of work. To reduce your exposure to these chemicals: work in a well ventilated area, and work with approved safety equipment, such as those dust masks that are specially designed to filter out microscopic particles.

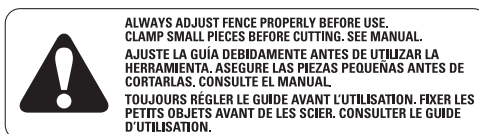
- **Avoid prolonged contact with dust from power sanding, sawing, grinding, drilling, and other construction activities. Wear protective clothing and wash exposed areas with soap and water. Allowing dust to get into your mouth, eyes, or lay on the skin may promote absorption of harmful chemicals.**

⚠ WARNING: Use of this tool can generate and/or disburse dust, which may cause serious and permanent respiratory or other injury. Always use NIOSH/OSHA approved respiratory protection appropriate for the dust exposure. Direct particles away from face and body.

For your convenience and safety, the following warning labels are on your miter saw.

ON MOTOR HOUSING:

⚠ WARNING: FOR YOUR OWN SAFETY, READ INSTRUCTION MANUAL BEFORE OPERATING SAW. WHEN SERVICING, USE ONLY IDENTICAL REPLACEMENT PARTS. DO NOT EXPOSE TO RAIN OR USE IN



DAMP LOCATIONS.

ALWAYS WEAR EYE PROTECTION.

ON MOVING FENCES:

ALWAYS ADJUST FENCE PROPERLY BEFORE USE. Clamp small pieces before cutting. See manual.

ON GUARD: DANGER – KEEP AWAY FROM BLADE.

ON UPPER GUARD: PROPERLY SECURE BRACKET WITH BOTH SCREWS BEFORE USE.

ON TABLE: (2 PLACES)

ALWAYS TIGHTEN ADJUSTMENT KNOBS BEFORE USE.

KEEP HANDS 6" (152.4 MM) FROM PATH OF SAW BLADE.

NEVER PERFORM ANY OPERATION FREEHAND.

NEVER CROSS ARMS IN FRONT OF BLADE.

THINK! YOU CAN PREVENT ACCIDENTS.

DO NOT OPERATE SAW WITHOUT GUARDS IN PLACE.

TURN OFF TOOL, KEEP SAW HEAD DOWN AND WAIT FOR SAW TO STOP BEFORE MOVING HANDS, WORKPIECE OR CHANGING SETTINGS.

UNPLUG TOOL BEFORE CHANGING BLADE, MOVING OR SERVICING UNIT.

DANGER PELIGRO
 KEEP AWAY FROM BLADE
 MANTENERS ALEJADO DE LA HOJA
 S'ÉLOIGNER DE LA LAME



Electrical Connection

Be sure your power supply agrees with the nameplate marking. 120 volts, AC means that your saw will operate on alternating current. The switch is susceptible to failure if direct current is used. A voltage decrease of 10 percent or more will cause a loss of power and overheating. All DEWALT tools are factory tested. If this tool does not operate, check the power supply.

Accessories

Recommended accessories for use with your tool are available for purchase from your local dealer or authorized service center. If you need assistance in locating any accessory for your tool, please contact DEWALT Industrial Tool Co., 701 East Joppa Road, Baltimore, MD 21286, call 1-800-4-DEWALT (1-800-433-9258) or visit our website www.dewalt.com.

⚠ WARNING: Since accessories, other than those offered by DEWALT, have not been tested with this product, use of such accessories with this tool could be hazardous. To reduce the risk of injury, only DEWALT, recommended accessories should be used with this product.

Optional Accessories

The following accessories, designed for your saw, may be helpful. In some cases, other locally obtained work supports, length stops, clamps, etc., may be more appropriate. Use care in selecting and using accessories.

Laser Guide System: DW7187

Powered by the saw, the bright laser line delivers enhanced visibility in low and high light locations. Easy to install.

Extension, Work Support: DW7080

Used to support long overhanging workpieces, the work support is user assembled. Your saw table is designed to accept two work supports; one on each side.

Clamp: DW7082 (similar model included)

Used for firmly clamping workpiece to the saw table for precision cutting.

Dust Bag: DW7053 (Included with some models)

Equipped with a zipper for easy emptying, the dust bag will capture the majority of the sawdust produced (not shown).

Crown Molding Fence: DW7084

Used for precision cutting of crown molding.

Miter Saw LED Worklight System: DWS7085

Lighting used for greater visibility and cutting alignment during operation. Easy to install.

SAW BLADES: ALWAYS USE 10" (254 mm) SAW BLADES WITH 5/8" (15.9 mm) ARBOR HOLES. SPEED RATING MUST BE AT LEAST 5000 RPM. Never use a smaller diameter blade. It will not be guarded properly. Use crosscut blades only! Do not use blades designed for ripping, combination blades or blades with hook angles in excess of 5°.

BLADE DESCRIPTIONS		
APPLICATION	DIAMETER	TEETH
Construction Saw Blades (<i>thin kerf with anti-stick rim</i>)		
General Purpose	10" (254 mm)	40
Fine Crosscuts	10" (254 mm)	60
NOTE: Thin kerf 60T blades without noise damping may ring under no load conditions.		
Woodworking Saw Blades (<i>provide smooth, clean cuts</i>)		
Fine crosscuts	10" (254 mm)	80
Non-ferrous metals	10" (254 mm)	80
NOTE: For cutting non-ferrous metals, use only saw blades designed for this purpose.		

Unpacking Your Saw

Check the contents of your miter saw carton to make sure that you have received all parts. In addition to this instruction manual, the carton should contain:

1. One DW717 miter saw.
2. One DEWALT 10" (254 mm) diameter saw blade.
3. One blade wrench in wrench pocket shown in Figure 9.
4. One DW7053 Dustbag (some models).
5. One material clamp.

Specifications

CAPACITY OF CUT

51° miter right, 60° miter left
48° bevel left and right
0° miter

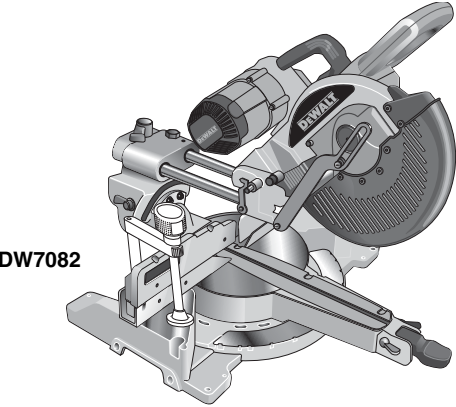
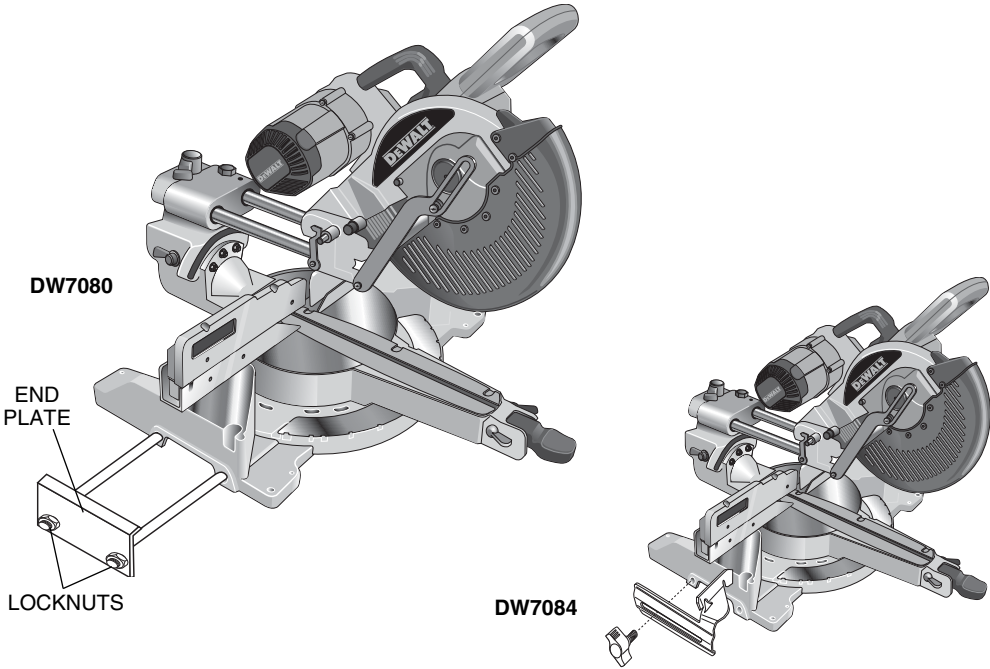
Max. Height 3.5" (89 mm) Result Width 11.9" (302 mm)
Max. Width 12.6" (320 mm) Result Height 3.0" (76 mm)

45° miter

Max. Height 3.5" (89 mm) Result Width 8.4" (213 mm)
Max. Width 8.9" (226 mm) Result Height 3.0" (76 mm)

45° bevel - Left

Max. Height 2.3" (58 mm) Result Width 11.9" (302 mm)
Max. Width 12.6" (320 mm) Result Height 2.0" (50 mm)



45° bevel - Right
 Max. Height 1.2" (30 mm) Result Width 11.9" (302 mm)
 Max. Width 12.6" (320 mm) Result Height 0.9" (22 mm)

Your saw is capable of cutting baseboard moldings 0.8" (20 mm) thick by 4.75" (120 mm) tall.

NOTE: Your saw is capable of cutting the following once a special setup procedure is followed (see Special Cuts).

0° miter	height 1.5 (38 mm)	width 15.4 (391 mm)
45° miter	height 1.5 (38 mm)	width 11.3 (287 mm)

DRIVE

120 Volt Motor

1600 Watts In
 4000 RPM
 Multi-V Belt
 Automatic Electric Brake

15 Amp Motor
 Cut Helical Gears
 Roller Bearings
 Carbide Blade

Familiarization

Your miter saw is fully assembled in the carton. Open the box and slide the saw out, as shown in Figure 1.

Place the saw on a smooth, flat surface such as a workbench or strong table.

Examine the two figures on Page 7 to become familiar with the saw and its various parts. The section on adjustments will refer to these terms and you must know what and where the parts are.

CAUTION: Risk of personal injury. Keep thumb underneath handle when pulling handle down otherwise thumb may be pinched between handle and moving lower guard.

The handle is placed close to the guard for special cuts.

Press down lightly on the operating handle and pull out the lock down pin. Gently release the downward pressure and hold the arm allowing it to rise to its full height. Use the lock down pin when carrying the saw from one place to another. Always use the carrying handle to transport the saw or the hand indentations shown in Figure 2.

Bench Mounting

Holes are provided in all 4 feet to facilitate bench mounting, as shown in Figure 4. (Two different sized holes are provided to accommodate different sizes of screws. Use either hole, it is not necessary to use both.) Always mount your saw firmly to a stable surface to prevent movement. To enhance the tool's portability, it can be mounted to a piece of 1/2" (12.7 mm) or thicker plywood which can then be clamped to your work support or moved to other job sites and reclamped.

NOTE: If you elect to mount your saw to a piece of plywood, make sure that the mounting screws don't protrude from the bottom of the wood. The plywood must sit flush on the work support. When clamping the saw to any work surface, clamp only on the clamping bosses where the mounting screw holes are located. Clamping at any other point will surely interfere with the proper operation of the saw.

CAUTION: To prevent binding and inaccuracy, be sure the mounting surface is not warped or otherwise uneven. If the saw rocks on the surface place a thin piece of material under one saw foot until the saw sits firmly on the mounting surface.

FIG. 1

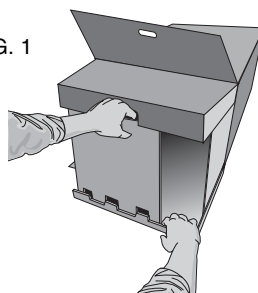


FIG. 2



IMPORTANT SAFETY INSTRUCTIONS

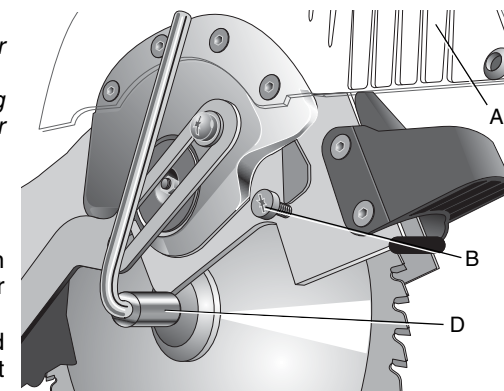
Changing or Installing a New Saw Blade (Fig. 3)

WARNING: To reduce the risk of serious personal injury, turn off the tool and disconnect it from the power source before attempting to move it, change accessories or make any adjustments except as written in laser adjustment instructions.

CAUTION:

- Never depress the spindle lock button while the blade is under power or coasting.
- Do not cut ferrous metal (containing iron or steel) or masonry or fiber cement product with this miter saw.

FIG. 3



Removing the Blade

1. Unplug the saw.
2. Raise the arm to the upper position and raise the lower guard (A) as far as possible.
3. Loosen, but do not remove guard bracket screw (B) until the bracket can be raised far enough to access the blade screw. Lower guard will remain raised due to the position of the guard bracket screw.

FIG. 3A

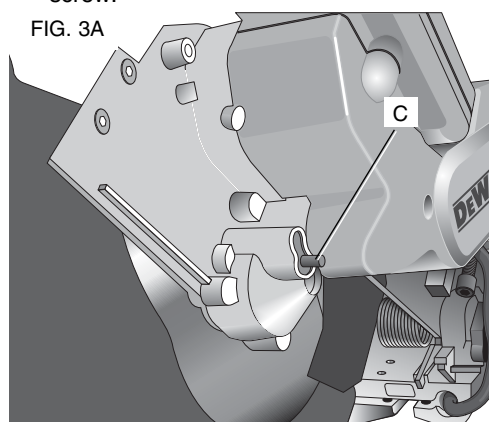
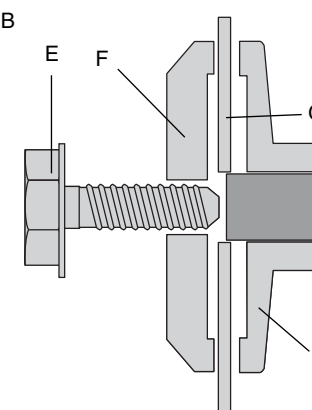


FIG. 3B



4. Depress the spindle lock button (C) while carefully rotating the saw blade by hand until the lock engages.
5. Keeping the button depressed, use the other hand and the wrench provided (D) to loosen the blade screw. (Turn clockwise, left-hand threads)
6. Remove the blade screw (E), outer blade clamp (F) and blade (G). The inner blade clamp (I), may be left on the spindle.

Installing a Blade

1. Unplug the saw.
2. With the arm raised, the lower guard held open and the guard bracket raised, place the blade on the spindle and against the inner blade clamp with the teeth at the bottom of the blade pointing toward the back of the saw.
3. Assemble the outer blade clamp onto the spindle.
4. Install the blade screw and, engaging the spindle lock, tighten the screw firmly with wrench provided. (Turn counterclockwise, left-hand threads.)

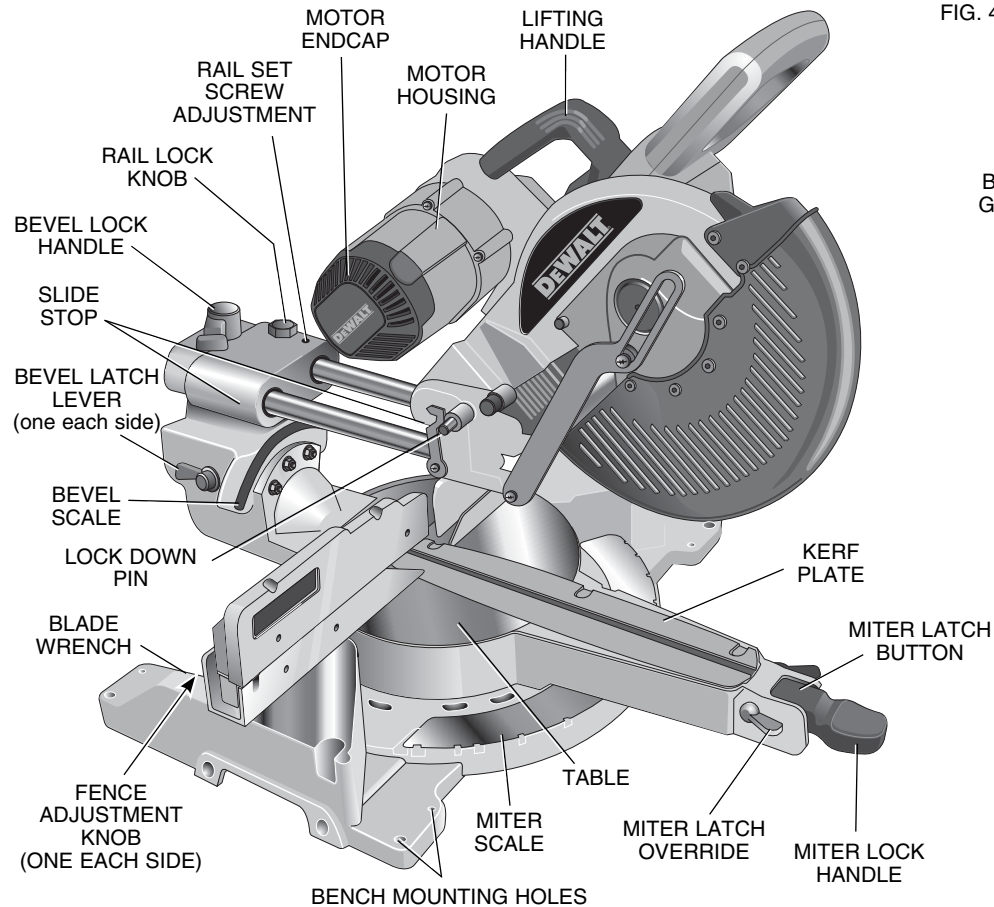
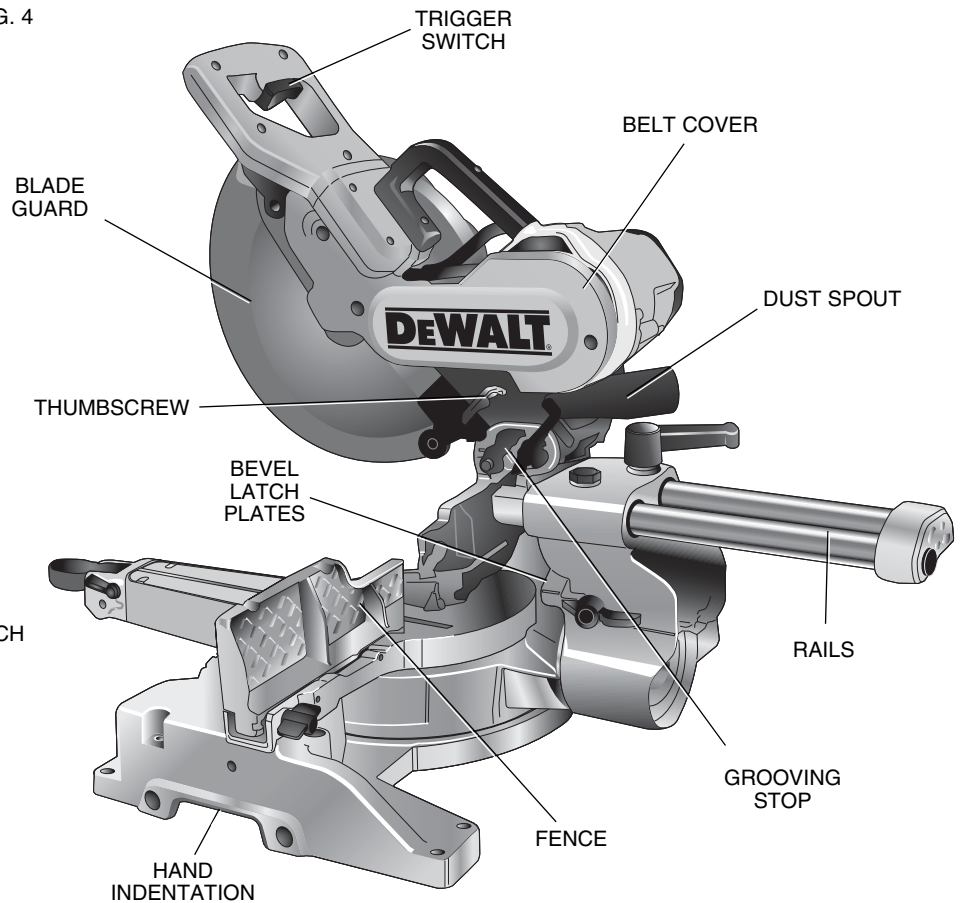


FIG. 4



5. Return the guard bracket to its original position and firmly tighten the guard bracket screw to hold bracket in place.

⚠ WARNING:

- **The guard bracket must be returned to its original position and the screw tightened before activating the saw.**
- **Failure to do so may allow the guard to contact the spinning saw blade resulting in damage to the saw and severe personal injury.**

Transporting the Saw

⚠ WARNING: To reduce the risk of serious personal injury, turn off the tool and disconnect it from the power source before attempting to move it, change accessories or make any adjustments except as written in laser adjustment instructions.

⚠ WARNING: To reduce the risk of serious personal injury, ALWAYS lock the rail lock knob, miter lock handle, bevel lock handle, lock down pin and fence adjustment knobs before transporting saw.

In order to conveniently carry the miter saw from place to place, a carrying handle has been included on the top of the saw arm and hand indentations in the base, as shown in Figure 4.

Adjustments

⚠ WARNING: To reduce the risk of serious personal injury, turn off the tool and disconnect it from the power source before attempting to move it, change accessories or make any adjustments except as written in laser adjustment instructions.

NOTE: Your miter saw is fully and accurately adjusted at the factory at the time of manufacture. If readjustment due to shipping and handling or any other reason is required, follow the steps below to adjust your saw.

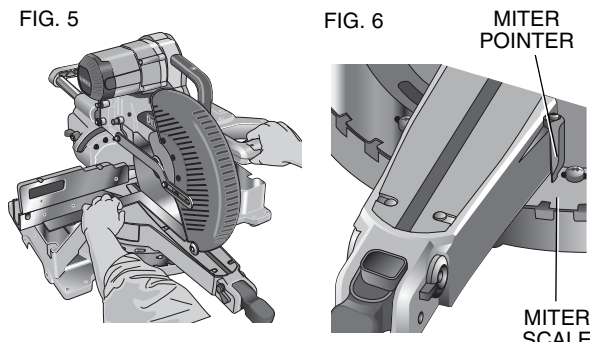
Once made, these adjustments should remain accurate. Take a little time now to follow these directions carefully to maintain the accuracy of which your saw is capable.

MITER SCALE ADJUSTMENT (FIG. 5)

Place a square against the saw's fence and blade, as shown. (Do not touch the tips of the blade teeth with the square. To do so will cause an inaccurate measurement.) Loosen the miter lock handle and swing the miter arm until the miter latch locks it at the 0 miter position. Do not tighten the lock handle. If the saw blade is not exactly perpendicular to the fence, loosen the four screws that hold the miter scale to the base and move the scale left or right until the blade is perpendicular to the fence, as measured with the square. Retighten the four screws. Pay no attention to the reading of the miter pointer at this time.

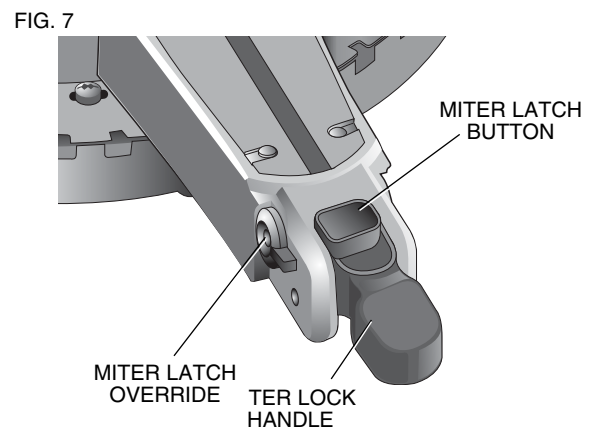
MITER POINTER ADJUSTMENT (FIG. 6)

Loosen the miter lock handle to move the miter arm to the zero position. With the miter lock handle loose allow the miter latch to snap into place as you rotate the miter arm to zero. Observe the pointer and miter scale shown in Figure 6. If the pointer does not indicate exactly zero, loosen the screw holding the pointer in place, reposition the pointer and tighten the screw.



BEVEL SQUARE TO TABLE ADJUSTMENT (FIG. 8)

To align the blade square to the table, lock the arm in the down position. Place a square against the blade and table taking care to have the square not touch a blade tooth. Loosen the bevel lock handle and ensure the bevel latch has firmly snapped into place at 0°. If the saw blade is not exactly perpendicular to the table, loosen the three nuts which hold the bevel detent plates to the table. Adjust the center nut to allow slight drag between it and the table. Gently tap the motor or the belt cover to move the upper assembly until the blade is square to the table. Tighten the center nut. The 45° bevel stops require adjustment after the bevel square to table adjustment is complete.

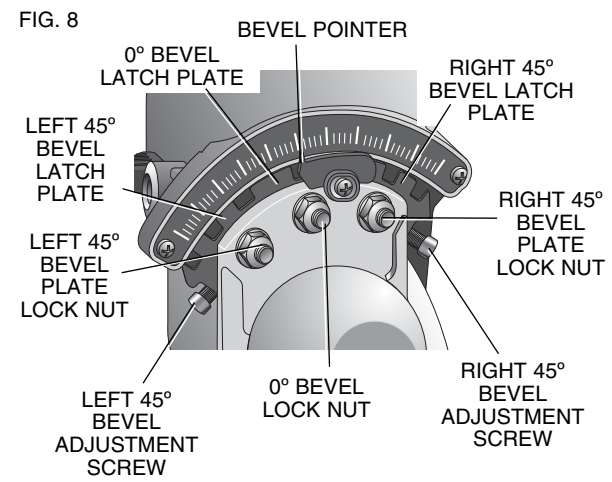


BEVEL POINTER (FIG. 8)

If the bevel pointer does not indicate zero, loosen the screw that holds it in place and move it as necessary.

BEVEL STOP 45° RIGHT AND LEFT ADJUSTMENT (FIG. 8)

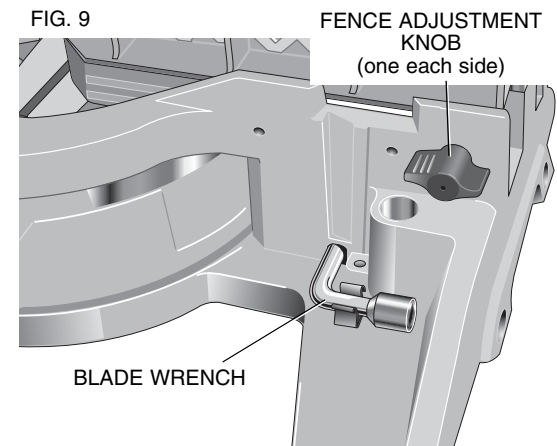
Your saw has two 45° bevel adjustments, one for the right, and one for the left. The procedure is the same for each. To align the 45° stops, lock the arm in the down position. Place a speed square against the blade and table taking care to have the square not touch a blade tooth. Loosen the bevel lock lever and ensure the bevel latch has firmly snapped into place at 45°. If the saw blade is not 45° to the table, loosen the nut which holds the 45° bevel latch plate to the table. Rotate the adjustment screw counterclockwise one or two turns so that the blade is less than 45° to the table. Turn the adjustment screw clockwise until the blade is 45° to the table. Tighten the lock nut.



FENCE ADJUSTMENT (FIG. 9)

⚠ WARNING: To reduce the risk of serious personal injury, turn off the tool and disconnect it from the power source before attempting to move it, change accessories or make any adjustments accept as written in laser adjustment instructions.

In order that the saw can bevel to a full 48° left or right, one of the fences can be adjusted to provide clearance. To adjust the fences, loosen a plastic knob and slide the fence outward. Make a dry run with the saw turned off and check for clearance. Adjust the fence to be as close to the blade as practical to provide maximum workpiece support, without interfering with arm up and down movement. Tighten knob securely. When the bevel operations are complete, don't forget to relocate the fence.



NOTE: The guide groove of the fences can become clogged with sawdust. If you notice that it is becoming clogged, use a stick or some low pressure air to clear the guide groove.

AUTOMATIC ELECTRIC BRAKE

Your saw is equipped with an automatic electric blade brake which stops the saw blade within 5 seconds of trigger release. This is not adjustable.

On occasion, there may be a delay after trigger release to brake engagement. On rare occasions, the brake may not engage at all and the blade will coast to a stop.

If a delay or "skipping" occurs, turn the saw on and off 4 or 5 times. If the condition persists, have the tool serviced by an authorized DEWALT service center.

Always be sure the blade has stopped before removing it from the kerf. The brake is not a substitute for guards or for ensuring your own safety by giving the saw your complete attention.

GUARD ACTUATION AND VISIBILITY

⚠ CAUTION: Risk of personal injury. Keep thumb underneath handle when pulling handle down otherwise thumb may be pinched between handle and moving lower guard. The handle is placed close to the guard for special cuts.

The blade guard on your saw has been designed to automatically raise when the arm is brought down and to lower over the blade when the arm is raised.

The guard can be raised by hand when installing or removing saw blades or for inspection of the saw. **NEVER RAISE THE BLADE GUARD MANUALLY UNLESS THE SAW IS TURNED OFF.**

NOTE: Certain special cuts of large material will require that you manually raise the guard. See Page 13.

The front section of the guard is louvered for visibility while cutting. Although the louvers dramatically reduce flying debris, they are openings in the guard and safety glasses should be worn at all times when viewing through the louvers.

KERF PLATE ADJUSTMENT

To adjust the kerf plates, loosen the screws holding the kerf plates in place. Adjust so that the kerf plates are as close as possible without interfering with the blade's movement.

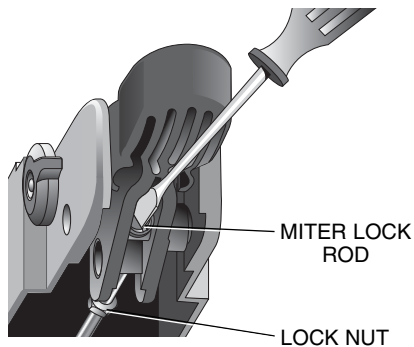
RAIL GUIDE ADJUSTMENT

Periodically check the rails for any play or clearance. The right rail can be adjusted with the set screw shown in Figure 4. To reduce clearance, use a 4 mm hex wrench and rotate the set screw clockwise gradually while sliding the saw head back and forth. Adjust the clearance to be as small as possible without causing any slide resistance.

MITER LOCK ADJUSTMENT

The miter lock rod should be adjusted if the table of the saw can be moved when the miter lock is locked down. To adjust the miter lock handle, put the miter lock handle in the up, unlocked position. Using a 13 mm open end wrench, loosen the lock nut on the miter lock rod (Fig. 10). Using a slotted screwdriver, tighten the miter lock rod by turning it clockwise as shown in Figure 10. Turn the lock rod until it is snug, then turn counterclockwise one turn. To ensure the miter lock handle is functioning properly, re-lock the miter lock to a non-detented measurement on the miter scale – for example, 34° – and ensure the table will not rotate. Tighten lock nut.

FIG. 10



Brushes

⚠ WARNING: To reduce the risk of serious personal injury, turn off the tool and disconnect it from the power source before attempting to move it, change accessories or make any adjustments accept as written in laser adjustment instructions.

Inspect carbon brushes regularly by unplugging tool, removing the motor end cap (Fig. 4), lift the brush spring and withdraw the brush assembly. Keep brushes clean and sliding freely in their guides. Always replace a used brush in the same orientation in the holder as it was prior to its removal. Carbon brushes have varying symbols stamped into their sides, and if the brush is worn down to approximately 1/2" (12.7 mm), the spring will no longer exert pressure and they must be replaced. Use only

identical DEWALT brushes. Use of the correct grade of brush is essential for proper operation of electric brake. New brush assemblies are available at DEWALT service centers. The tool should be allowed to "run in" (run at no load) for 10 minutes before use to seat new brushes. The electric brake may be erratic in operation until the brushes are properly seated (worn in). Always replace the brush inspection cap after inspection or servicing the brushes. While "running in" DO NOT TIE, TAPE, OR OTHERWISE LOCK THE TRIGGER SWITCH ON. HOLD BY HAND ONLY.

Controls

Your compound miter saw has several main controls, which will be discussed briefly here. For more information on these controls, see the respective sections earlier in the manual.

MITER CONTROL (FIG. 7)

The miter adjustment/lock handle and detent trigger allows you to miter your saw to 60 left and 50 right. To miter the saw, lift the miter adjustment/lock handle, push the miter latch button and set the miter angle desired on the miter scale. Push down on the lock handle to lock the saw table in place.

TRIGGER SWITCH

The trigger switch (Fig. 4) turns your saw on and off. A hole is provided in the trigger for insertion of a padlock to secure the saw.

MITER LATCH OVERRIDE (FIG. 7)

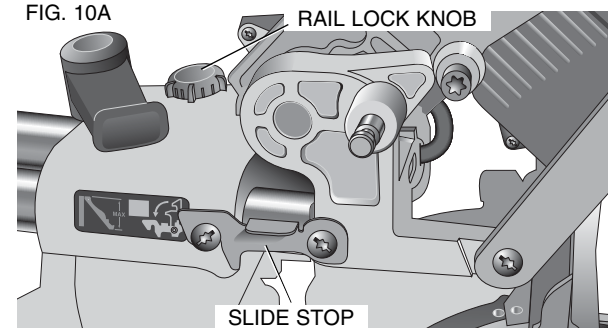
The miter latch override allows your saw to override the common stop angles. Your saw has two miter latch override knobs, one on each side of the miter control. To override the common stop angles, rotate the miter latch knobs downward. The knobs will return to the off position automatically if the miter latch button is pushed.

BEVEL CONTROL (FIG. 8)

The bevel latch levers and bevel lock handle allow you to bevel the saw to 48° left and right. Your saw has two bevel latch levers, one on either side of the rear support housing. Only one needs to be used to move the bevel to either direction. The bevel lock handle is on top of the rear support housing. To bevel the saw, loosen the bevel lock handle. Lift one of the levers to approximately 45° and set the bevel angle desired on the bevel scale. Two bevel scales are provided for convenience. Lock the bevel lock handle to lock the bevel in place. The bevel latch levers can be lifted vertically to override the common stop angles.

The bevel lock handle is designed to have a limited rotation amount. The handle can be reoriented to compensate for normal wear. The bevel lock handle should be reoriented if the bevel of the saw can be moved when the bevel lock handle is tightened. To adjust the bevel lock handle, remove the screw in the center of the handle. Carefully

pry off the handle using a flat bladed screwdriver. Reorient and install the handle such that it will hold the bevel when tightened. Install and tighten screw.



SLIDE STOP (FIG. 10A)

The slide stop control positions your saw's rails so that the largest possible vertical moldings can be cut. ALWAYS TIGHTEN THE RAIL LOCK KNOB WHEN USING THE SLIDE STOP TO PREVENT THE SLIDE SYSTEM FROM MOVING UNINTENTIONALLY.

RAIL LOCK KNOB (FIG. 4)

The rail lock knob allows you to lock the saw head firmly to keep it from sliding on the rails. This is necessary when making certain cuts or when transporting the saw.

GROOVING STOP (FIG. 4)

The grooving stop allows for groove cutting. Flipping the lever toward the front of the saw and adjusting the thumbscrew changes the depth of the groove cut. Flipping the lever toward the rear of the saw bypasses the grooving stop.

HEAD DOWNLOCK PIN (FIG. 4)

To lock the saw head in the down position, push the head down, push the pin in and release the saw head. This will hold the saw head safely down for moving the saw from place to place. To release, press the saw head down and pull the pin out.

Operation

Plug the saw into any household 60 Hz power source. Refer to the nameplate for voltage. Be sure the cord will not interfere with your work.

SWITCH

To turn the saw on, depress the trigger switch. To turn the tool off, release the switch. Allow the blade to spin up to full operating rpm before making the cut. Release the trigger switch and allow the brake to stop the blade before raising the saw head. There is no provision for locking the switch on, but a hole is provided in the trigger for insertion of a padlock to lock the saw off.

CUTTING WITH YOUR SAW

If the slide feature is not used, ensure the saw head is pushed back as far as possible and the rail lock knob is

tightened. This will prevent the saw from sliding along its rails as the workpiece is engaged.

NOTE: Although this saw will cut wood and many non-ferrous materials, we will limit our discussion to the cutting of wood only. The same guidelines apply to the other materials. **DO NOT CUT FERROUS (IRON AND STEEL) MATERIALS OR MASONRY WITH THIS SAW.** Do not use any abrasive blades.

CROSSCUTS

Cutting of multiple pieces is not recommended but can be done safely by ensuring that each piece is held firmly against the table and fence. When the saw comes up to speed (about 1 second) lower the arm smoothly and slowly to cut through the wood. Let the blade come to a full stop before raising arm.

A crosscut is made by cutting wood across the grain at any angle. A straight crosscut is made with the miter arm at the zero degree position. Set and lock the miter arm at zero, hold the wood firmly on the table and against the fence. With the rail lock knob tightened, turn on the saw by squeezing the trigger switch shown in Figure 4.

When the saw comes up to speed (about 1 second) lower the arm smoothly and slowly to cut through the wood. Let the blade come to a full stop before raising arm.

When cutting anything larger than 4.4" (111.8 mm) [3" (76.2 mm) 45° miter] use an out-down-back motion with the rail lock knob loosened. Pull the saw out, toward you, lower the saw head down toward the workpiece, and slowly push the saw back to complete the cut. Do not allow the saw to contact the top of the workpiece while pulling out. The saw may run toward you, possibly causing personal injury or damage to the workpiece.

▲ CAUTION: Always use a work clamp to maintain control and reduce the risk of workpiece damage and personal injury.

NOTE: The rail lock knob shown in Figure 4 must be loose to allow the saw to slide along its rails.

Miter crosscuts are made with the miter arm at some angle other than zero. This angle is often 45° for making corners, but can be set anywhere from left or right. Make the cut as described above.

When cutting wider workpieces wider than a 2 x 6 that are shorter in length, always place the longer side against the fence (Fig. 12).

To cut through an existing pencil line on a piece of wood, match the angle as close as possible. Cut the wood a little too long and measure from the pencil line to the cut edge to determine which direction to adjust the miter angle and recut. This will take some practice, but it is a commonly used technique.

BEVEL CUTS

A bevel cut is a crosscut made with the saw blade at an angle to the wood. In order to set the bevel, loosen the bevel lock handle, lift the bevel latch lever, Figure 4, and move the saw to the left or right as desired. (It is necessary

FIG. 11

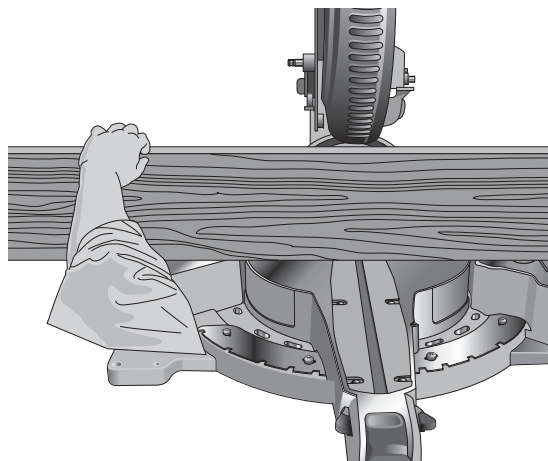
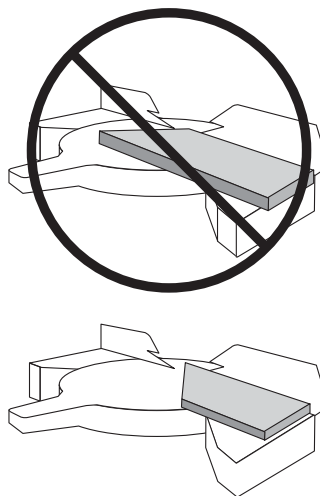


FIG. 12



to move the fence to allow clearance). Once the desired bevel angle has been set, tighten the bevel clamp handle firmly.

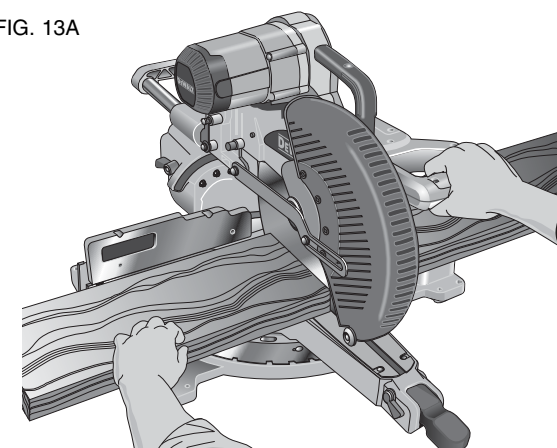
Bevel angles can be set from 48° right to 48° left and can be cut with the miter arm set between 50° right or 60° left. At some extreme angles, the right or left side fence might have to be removed. To remove the left or right fence, unscrew the fence adjustment knob several turns and slide the fence out.

QUALITY OF CUT

The smoothness of any cut depends on a number of variables. Things like material being cut, blade type, blade sharpness and rate of cut all contribute to the quality of the cut.

When smoothest cuts are desired for molding and other precision work, a sharp (60 tooth carbide) blade and a

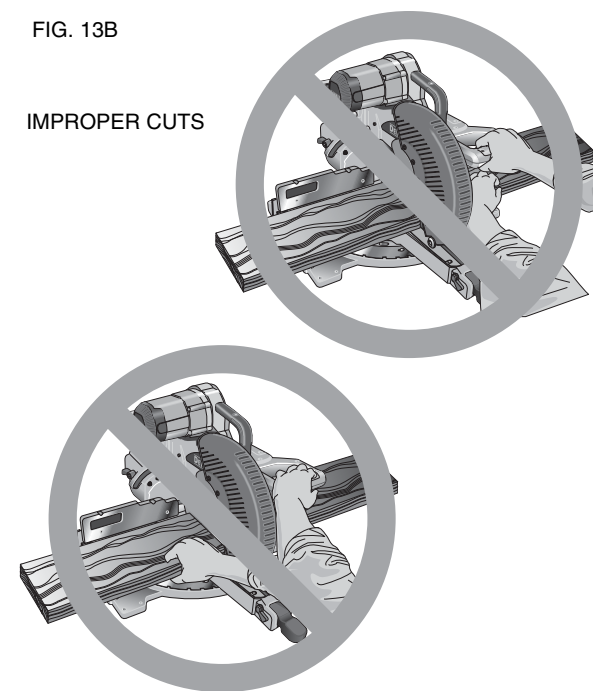
FIG. 13A



PROPER CUT

FIG. 13B

IMPROPER CUTS



slower, even cutting rate will produce the desired results. Ensure that material does not creep while cutting, clamp it securely in place. Always let the blade come to a full stop before raising arm.

If small fibers of wood still split out at the rear of the workpiece, stick a piece of masking tape on the wood where the cut will be made. Saw through the tape and carefully remove tape when finished.

For varied cutting applications, refer to the list of recommended saw blades for your saw and select the one that best fits your needs (Page 5).

BODY AND HAND POSITION (FIG. 13A)

Proper positioning of your body and hands when operating the miter saw will make cutting easier, more accurate and safer. Never place hands near cutting area. Place hands no closer than 6" (152.4 mm) from the blade. Hold the workpiece tightly to the table and the fence when cutting. Keep hands in position until the trigger has been released and the blade has completely stopped. **ALWAYS MAKE DRY RUNS (UNPOWERED) BEFORE FINISH CUTS SO THAT YOU CAN CHECK THE PATH OF THE BLADE. DO NOT CROSS HANDS, AS SHOWN IN FIGURE 13B.** Keep both feet firmly on the floor and maintain proper balance. As you move the miter arm left and right, follow it and stand slightly to the side of the saw blade. Sight through the guard louvers when following a pencil line.

CLAMPING THE WORKPIECE

⚠ WARNING: To reduce the risk of serious personal injury, turn off the tool and disconnect it from the power source before attempting to move it, change accessories or make any adjustments accept as written in laser adjustment instructions.

⚠ WARNING: A workpiece that is clamped, balanced and secure before a cut may become unbalanced after a cut is completed. An unbalanced load may tip the saw or anything the saw is attached to, such as a table or workbench. When making a cut that may become unbalanced, properly support the workpiece and ensure the saw is firmly bolted to a stable surface. Personal injury may occur.

⚠ WARNING: The clamp foot must remain clamped above the base of the saw whenever the clamp is used. Always clamp the workpiece to the base of the saw—not to any other part of the work area. Ensure the clamp foot is not clamped on the edge of the base of the saw.

If you cannot secure the workpiece on the table and against the fence by hand, (irregular shape, etc.) or your hand would be less than 6" (152.4 mm) from the blade, a clamp or other fixture must be used.

For best results use the DW7082 clamp made for use with your saw. Another type of clamp may be supplied with your DW717. To purchase the DW7082 contact your local retailer or DEWALT service center.

Other aids such as spring clamps, bar clamps or C-clamps may be appropriate for certain sizes and shapes of material. Use care in selecting and placing these clamps. Take time to make a dry run before making the cut. The left or right fence will slide from side to side to aid in clamping.

FIG. 14

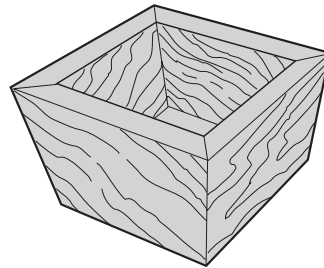


FIG. 15

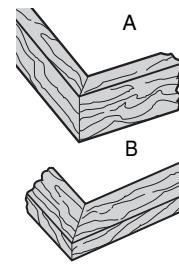
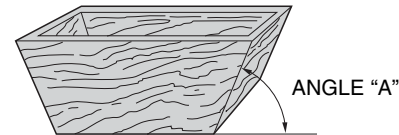


FIG. 16



TO INSTALL CLAMP

1. Insert it into the hole behind the fence. The clamp should be facing toward the back of the miter saw. The groove on the clamp rod should be fully inserted into the base. Ensure this groove is fully inserted into the base of the miter saw.
If the groove is visible, the clamp will not be secure.
2. Rotate the clamp 180° toward the front of the miter saw.
3. Loosen the knob to adjust the clamp up or down, then use the fine adjust knob to firmly clamp the workpiece.

NOTE: Place the clamp on the opposite side of the base when beveling. **ALWAYS MAKE DRY RUNS (UNPOWERED) BEFORE FINISH CUTS TO CHECK THE PATH OF THE BLADE. ENSURE THE CLAMP DOES NOT INTERFERE WITH THE ACTION OF THE SAW OR GUARDS.**

⚠ WARNING: A workpiece that is clamped, balanced and secure before a cut may become unbalanced after a cut is completed. An unbalanced load may tip the saw or anything the saw is attached to, such as a table or workbench. When making a cut that may become unbalanced, properly support the workpiece and ensure the saw is firmly bolted to a stable surface.

⚠ WARNING: The clamp foot must remain clamped above the base of the saw whenever the clamp is used. Always clamp the workpiece to the base of the saw—not to any other part of the work area. Ensure the clamp foot is not clamped on the edge of the base of the saw.

SUPPORT FOR LONG PIECES

⚠ WARNING: To reduce the risk of serious personal injury, turn off the tool and disconnect it from the power source before attempting to move it, change accessories or make any adjustments accept as written in laser adjustment instructions.

ALWAYS SUPPORT LONG PIECES.

Never use another person as a substitute for a table extension; as additional support for a workpiece that is longer or wider than the basic miter saw table or to help feed, support or pull the workpiece.

For best results, use the DW7080 extension work support to extend the table width of your saw. Available from your dealer at extra cost. Support long workpieces using any convenient means such as sawhorses or similar devices to keep the ends from dropping.

CUTTING PICTURE FRAMES, SHADOW BOXES AND OTHER FOUR-SIDED PROJECTS

To best understand how to make the items listed here, we suggest that you try a few simple projects using scrap wood until you develop a "FEEL" for your saw.

Your saw is the perfect tool for mitering corners like the one shown in Figure 14. Sketch A in Figure 15 shows a joint made by using the bevel adjustment to bevel the edges of the two boards at 45° each to produce a 90° corner. For this joint the miter arm was locked in the zero position and the bevel adjustment was locked at 45°. The wood was positioned with the broad flat side against the table and the narrow edge against the fence. The cut could also be made by mitering right and left with the broad surface against the fence.

CUTTING TRIM MOLDING AND OTHER FRAMES

Sketch B in Figure 14 shows a joint made by setting the miter arm at 45° to miter the two boards to form a 90° corner. To make this type of joint, set the bevel adjustment to zero and the miter arm to 45°. Once again, position the wood with the broad flat side on the table and the narrow edge against the fence.

The two sketches in Figure 15 are for four side objects only.

As the number of sides changes, so do the miter and bevel angles. The chart below gives the proper angles for a variety of shapes.

(The chart assumes that all sides are of equal length.) For a shape that is not shown in the chart, use the following formula. 180° divided by the number of sides equals the miter (if the material is cut vertically) or bevel angle (if the material is cut laying flat).

- EXAMPLES -	
NO. SIDES	ANGLE MITER OR BEVEL
4	45°
5	36°
6	30°
7	25.7°
8	22.5°
9	20°
10	18°

CUTTING COMPOUND MITERS

A compound miter is a cut made using a miter angle and a bevel angle at the same time. This is the type of cut used to make frames or boxes with slanting sides like the one shown in Figure 16.

NOTE: If the cutting angle varies from cut to cut, check that the bevel clamp knob and the miter lock knob are securely tightened. These knobs must be tightened after making any changes in bevel or miter.

The chart shown on Page 16 will assist you in selecting the proper bevel and miter settings for common compound miter cuts. To use the chart, select the desired angle "A" (Figure 16) of your project and locate that angle on the appropriate arc in the chart. From that point follow the chart straight down to find the correct bevel angle and straight across to find the correct miter angle.

Set your saw to the prescribed angles and make a few trial cuts. Practice fitting the cut pieces together until you develop a feel for this procedure and feel comfortable with it.

Example: To make a 4 sided box with 26° exterior angles (Angle A, Figure 15), use the upper right arc. Find 26° on the arc scale. Follow the horizontal intersecting line to either side to get miter angle setting on saw (42°). Likewise, follow the vertical intersecting line to the top or bottom to get the bevel angle setting on the saw (18°). Always try cuts on a few scrap pieces of wood to verify settings on saw.

CUTTING BASE MOLDING

ALWAYS MAKE A DRY RUN WITHOUT POWER BEFORE MAKING ANY CUTS.

Straight 90° cuts:

Position the wood against the fence and hold it in place as shown in Figure 11. Turn on the saw, allow the blade to reach full speed and lower the arm smoothly through the cut.

CUTTING BASE MOLDING UP TO 4.75" (121 mm) HIGH VERTICALLY AGAINST THE FENCE

Position material as shown in Figure 11.

All cuts made with the back of the molding against the fence and bottom of the molding against the base.

INSIDE CORNER:

Left side

1. Miter left 45°
2. Save left side of cut

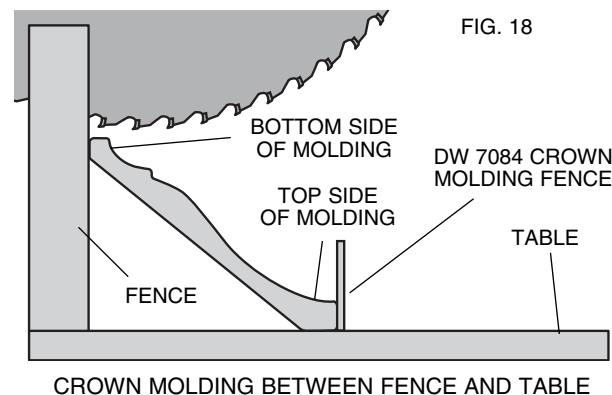
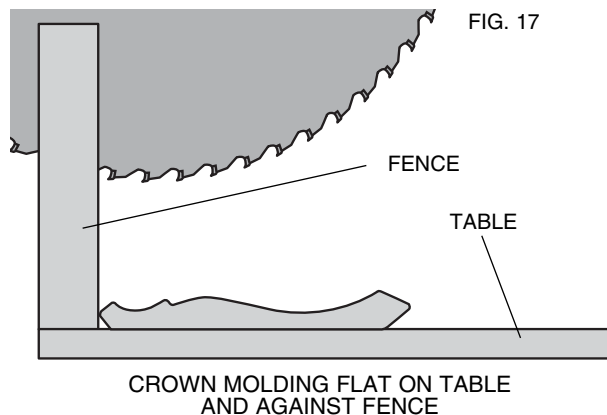
Right side

1. Miter Right 45°
2. Save right side of cut

OUTSIDE CORNER:

Left side

1. Miter right at 45°



2. Save left side of cut
Right side

1. Miter left at 45°
2. Save right side of cut

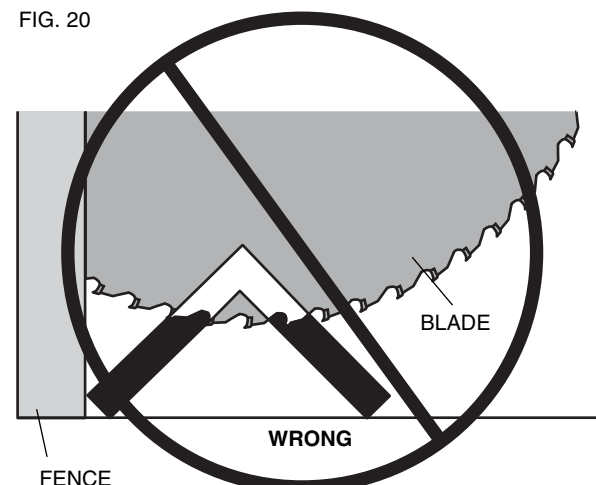
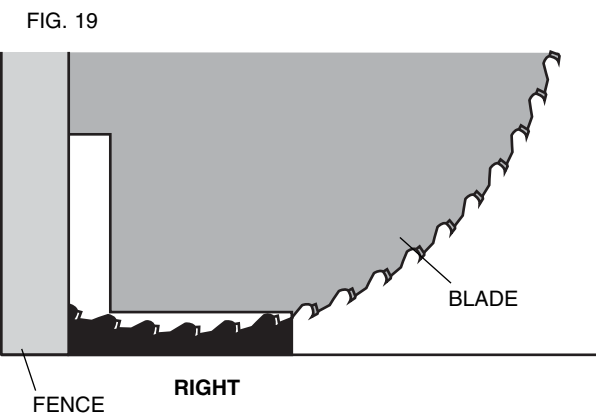
Material up to 6.5" (159 mm) can be cut as described above.

CUTTING CROWN MOLDING

Your miter saw is better suited to the task of cutting crown molding than any other type tool made. In order to fit properly, crown molding must be compound mitered with extreme accuracy.

The two flat surfaces on a given piece of crown molding are at angles that, when added together, equal exactly 90°. Most, but not all, crown molding has a top rear angle (the section that fits flat against the ceiling) of 52° and a bottom rear angle (the part that fits flat against the wall) of 38°.

Your miter saw has special pre-set miter latch points at 31.62° left and right for cutting crown molding at the proper



angle and bevel stop pawls at 33.85° left and right. There is also a mark on the Bevel scale at 33.85°.

The chart below gives the proper settings for cutting crown molding. (The numbers for the miter and bevel settings are very precise and are not easy to accurately set on your saw.) Since most rooms do not have angles of precisely 90°, you will have to fine tune your settings anyway.

PRETESTING WITH SCRAP MATERIAL IS EXTREMELY IMPORTANT!

INSTRUCTIONS FOR CUTTING CROWN MOLDING LAYING FLAT AND USING THE COMPOUND FEATURES

1. Molding laying with broad back surface down flat on saw table (Figure 17).
2. The settings below are for All Standard (U.S.) crown molding with 52° and 38° angles.

BEVEL SETTING	TYPE OF CUT
33.85° Left	LEFT SIDE, INSIDE CORNER:
	1. Top of molding against fence
	2. Miter table set right 31.62°
33.85° Right	RIGHT SIDE, INSIDE CORNER:
	1. Top of molding against fence.
	2. Miter table set at left 31.62°
33.85° Right	LEFT SIDE, OUTSIDE CORNER:
	1. Top of molding against fence.
	2. Miter table set at left 31.62°
33.85° Left	RIGHT SIDE, OUTSIDE CORNER:
	1. Top of molding against fence
	2. Miter table set right 31.62°

When setting bevel and miter angles for all compound miters, remember that:

The angles presented for crown moldings are very precise and difficult to set exactly. Since they can easily shift slightly and very few rooms have exactly square corners, all settings should be tested on scrap molding.

PRETESTING WITH SCRAP MATERIAL IS EXTREMELY IMPORTANT!

ALTERNATIVE METHOD FOR CUTTING CROWN MOLDING

Place the molding on the table at an angle between the fence and the saw table, as shown in Figure 18. Use of the crown molding fence accessory (DW7084) is highly recommended because of its degree of accuracy and convenience. The crown molding fence accessory is available for purchase from your local dealer.

The advantage to cutting crown molding using this method is that no bevel cut is required. Minute changes in the miter angle can be made without affecting the bevel angle. This way, when corners other than 90° are encountered, the saw can be quickly and easily adjusted for them. Use the crown molding fence accessory to maintain the angle at which the molding will be on the wall.

INSTRUCTIONS FOR CUTTING CROWN MOLDING ANGLED BETWEEN THE FENCE AND BASE OF THE SAW FOR ALL CUTS:

1. Angle the molding so the bottom of the molding (part which goes against the wall when installed) is against the fence and the top of the molding is resting on the base of the saw, as shown in Figure 18.
2. The angled "flats" on the back of the molding must rest

FIG. 21

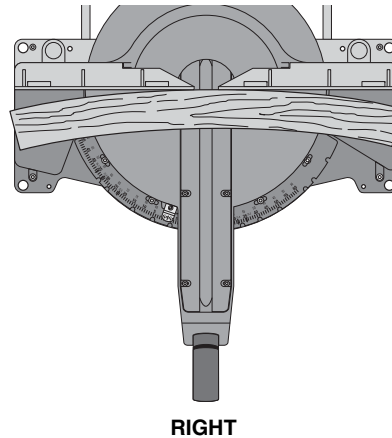


FIG. 22

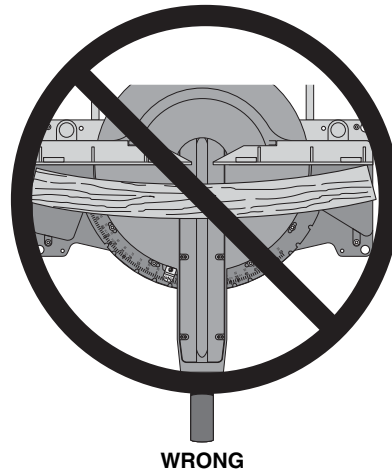
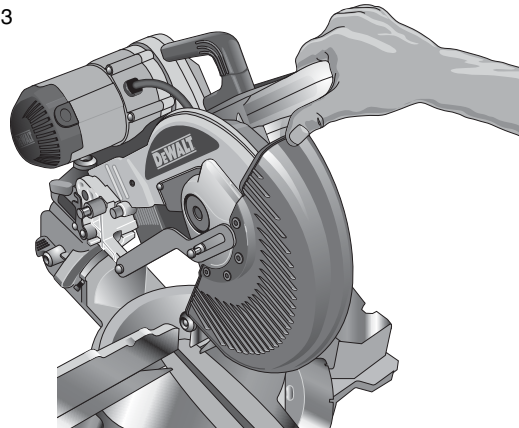


FIG. 23



squarely on the fence and base of the saw.

INSIDE CORNER:

Left side

1. Miter right at 45°
2. Save the right side of cut

Right side

1. Miter left at 45°
2. Save left side of cut

OUTSIDE CORNER:

Left side

1. Miter left at 45°
2. Save right side of cut

Right side

1. Miter right at 45°
2. Save left side of cut

Special Cuts

NEVER MAKE ANY CUT UNLESS THE MATERIAL IS SECURED ON THE TABLE AND AGAINST THE FENCE.

ALUMINUM CUTTING

ALWAYS USE THE APPROPRIATE SAW BLADE MADE ESPECIALLY FOR CUTTING ALUMINUM. These are available at your local DEWALT retailer or DEWALT service center. Certain workpieces, due to their size, shape or surface finish, may require the use of a clamp or fixture to prevent movement during the cut. Position the material so that you will be cutting the thinnest cross section, as shown in Figure 19. Figure 20 illustrates the wrong way to cut these extrusions. Use a stick wax cutting lubricant when cutting aluminum. Apply the stick wax cutting lubricant directly to the saw blade before cutting. Never apply stick wax to a moving blade.

The wax, available at most hardware stores and industrial mill supply houses, provides proper lubrication and keeps chips from adhering to the blade.

Be sure to properly secure workpiece. Refer to Page 5 for correct saw blade.

BOWED MATERIAL

When cutting bowed material always position it as shown in Figure 21 and never like that shown in Figure 22. Positioning the material incorrectly will cause it to pinch the blade near the completion of the cut.

CUTTING PLASTIC PIPE OR OTHER ROUND MATERIAL

Plastic pipe can be easily cut with your saw. It should be cut just like wood and **CLAMPED OR HELD FIRMLY TO THE FENCE TO KEEP IT FROM ROLLING.** This is

extremely important when making angle cuts.

CUTTING LARGE MATERIAL

Occasionally you will encounter a piece of wood a little too large to fit beneath the blade guard. If this occurs, simply place your right thumb on the upper side of the guard and roll the guard up just enough to clear the workpiece, as shown in Figure 23. Avoid doing this as much as possible, but if need be, the saw will operate properly and make the bigger cut. **NEVER TIE, TAPE, OR OTHERWISE HOLD THE GUARD OPEN WHEN OPERATING THIS SAW.**

SPECIAL SET-UP FOR WIDE CROSSCUTS

Your saw can cut very wide [up to 15.4 inch (391 mm)] workpieces when a special set up is used. To set the saw up for these workpieces, follow these steps:

1. Remove both left and right sliding fences from the saw and set aside. To remove them, unscrew the fence knobs several turns and slide each fence outward. Adjust and lock the miter control so that it is at 0 degrees miter.
2. Remove backfence screws from right rear foot and install them into the right hand fence screw holes (FIG 25).

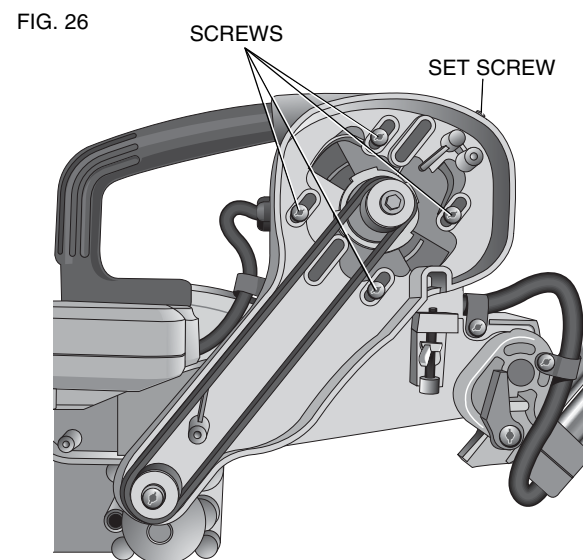
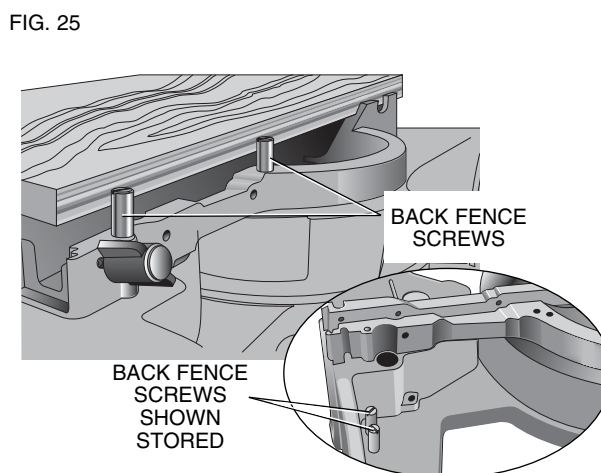
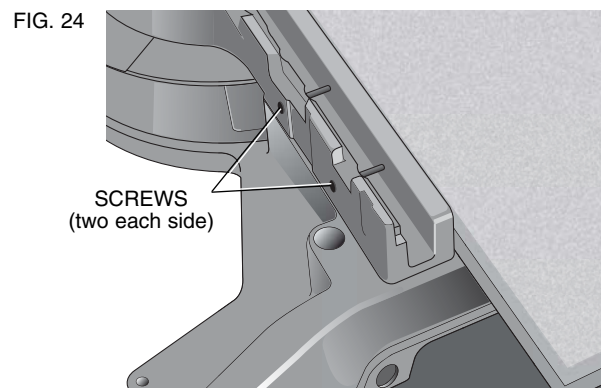
▲ WARNING: Do not cut material using the special setup without properly installing the backfence screws, otherwise the material will not be supported properly and may cause loss of control and possible injury.

3. Make a platform using a piece of 1.5 inch (38 mm) thick particleboard or similar flat strong 1.5 inch thick wood to the dimensions: 14.5" x 26" (368 x 660 mm). The platform must be flat otherwise the material could move during cutting and cause injury.
4. Mount the 14.5" x 26" platform to the saw using 4 three-inch long wood screws through the holes in the base fence (Fig. 24). Four screws must be used to properly secure the material. When the special set up is used, the platform will be cut into two pieces. Ensure the screws are tightened properly otherwise material could loosen and cause injury. Ensure the platform is firmly flat on the table, against the fence, and centered evenly from left to right.

▲ WARNING: Ensure the saw is mounted firmly to a stable flat surface. Failure to do so could cause the saw to be unstable and fall causing personal injury.

5. Place the workpiece to be cut on top of the platform mounted to the table. Ensure the workpiece is firmly against the backfence screws (Fig. 25).
6. Secure the material before cutting. Cut slowly through the material using a out-down-and-back motion. Failure to clamp securely or cut slowly could result in the material coming loose and causing injury.

After several cuts are made at various miter angles other than 0°, the platform may weaken and not properly support



the work. Install a new, unused platform to the saw after presetting the desired miter angle.

▲ CAUTION: Continued use of a platform with several kerfs may cause loss of material control and possible injury.

Removing and Replacing Belt

The belt is designed to last the life of the tool. However, abuse of the tool could cause the belt to fail.

If the blade does not turn when the motor is running, the belt has failed. To inspect or replace the belt, remove the belt cover screws. Remove the belt cover. Inspect the ribs of the belt for wear or failure. Check belt tension by squeezing the belt as shown in Figure 26. The belt halves should almost touch when squeezing firmly with the thumb and index finger. To adjust the tension, loosen, but do not remove, the four Phillips head screws shown. Then rotate the set screw on the top of the motor plate casting until the proper tension is achieved. Tighten the four screws securely and replace the belt cover.

NOTE: Over tightening the belt will cause premature motor failure.

Maintenance

DO NOT use lubricants or cleaners (particularly spray or aerosol) in the vicinity of the plastic guard. The polycarbonate material used in the guard is subject to attack by certain chemicals.

1. All bearings are sealed. They are lubricated for life and need no further maintenance.
2. Periodically clean all dust and wood chips from around AND UNDER the base and the rotary table. Even though slots are provided to allow debris to pass through, some dust will accumulate.
3. The brushes are designed to give you several years of use. If they ever need replacement follow the instructions on Page 9 or return the tool to the nearest service center for repair. Service center locations are packed with your tool.

Service Information

Please have the following information available for all service calls:

Model Number _____ Serial Number _____
Date and Place of Purchase _____

Repairs

To assure product SAFETY and RELIABILITY, repairs, maintenance and adjustment should be performed by a DEWALT factory service center, a DEWALT authorized service center or other qualified service personnel. Always

use identical replacement parts.

Three Year Limited Warranty

DEWALT will repair, without charge, any defects due to faulty materials or workmanship for three years from the date of purchase. This warranty does not cover part failure due to normal wear or tool abuse. For further detail of warranty coverage and warranty repair information, visit www.dewalt.com or call 1-800-4-DEWALT (1-800-433-9258). This warranty does not apply to accessories or damage caused where repairs have been made or attempted by others. This warranty gives you specific legal rights and you may have other rights which vary in certain states or provinces.

In addition to the warranty, DEWALT tools are covered by our:

1 YEAR FREE SERVICE

DEWALT will maintain the tool and replace worn parts caused by normal use, for free, any time during the first year after purchase.

90 DAY MONEY BACK GUARANTEE

If you are not completely satisfied with the performance of your DEWALT Power Tool, Laser, or Nailer for any reason, you can return it within 90 days from the date of purchase with a receipt for a full refund – no questions asked.

LATIN AMERICA: This warranty does not apply to products sold in Latin America. For products sold in Latin America, see country specific warranty information contained either in the packaging, call the local company or see website for warranty information.

FREE WARNING LABEL REPLACEMENT: If your warning labels become illegible or are missing, call 1-800-4-DEWALT for a free replacement.

Patent Notification

Manufactured under one or more of the following U.S. patents:

6,823,765	6,101,914	5,907,987	5,375,495
6,810,780	6,035,754	5,862,734	5,285,708
6,520,059,	6,032,563	5,582,089	5,199,343

Other patents may be pending.

Troubleshooting Guide

BE SURE TO FOLLOW SAFETY RULES AND INSTRUCTIONS

TROUBLE!

SAW WILL NOT START

WHAT'S WRONG?

1. Saw not plugged in
2. Fuse blown or circuit breaker tripped
3. Cord damaged
4. Brushes worn out

WHAT TO DO

1. Plug in saw
2. Replace fuse or reset circuit breaker
3. Have cord replaced by authorized service center
4. Have brushes replaced by authorized service center or replace them yourself as instructed on Page 9.

SAW MAKES

UNSATISFACTORY CUTS

1. Dull blade
2. Blade mounted backwards
3. Gum or pitch on blade

1. Replace blade, see Page 6.
2. Turn blade around, see Page 6.

4. Incorrect blade for work being done

3. Remove blade and clean with turpentine and coarse steel wool or household oven cleaner
4. Change the blade type, see pages 6.

BLADE DOES NOT COME UP TO SPEED

1. Extension cord too light or too long
2. Low house current

1. Replace with adequate size cord, see Page 2.
2. Contact your electric company

MACHINE VIBRATES EXCESSIVELY

1. Saw not mounted securely to stand or work bench
2. Stand or bench on uneven floor

1. Tighten all mounting hardware, see Page 6.
2. Reposition on flat level surface, see Page 6.

3. Damaged saw blade

3. Replace blade, see Page 6.

DOES NOT MAKE ACCURATE MITER CUTS

1. Miter scale not adjusted correctly
2. Blade is not square to fence
3. Blade is not perpendicular to table
4. Workpiece moving

1. Check and adjust, see Page 7.
2. Check and adjust, see Page 8.
3. Check and adjust fence, see Page 8.

4. Clamp workpiece securely to fence or glue 120 grit sandpaper to fence with rubber cement.

MATERIAL PINCHES BLADE

1. Cutting bowed material

1. Position bowed material as shown on Page 13.

TABLE 1 COMPOUND MITER CUT (Position wood with broad flat side on the table and the narrow edge against the fence.)

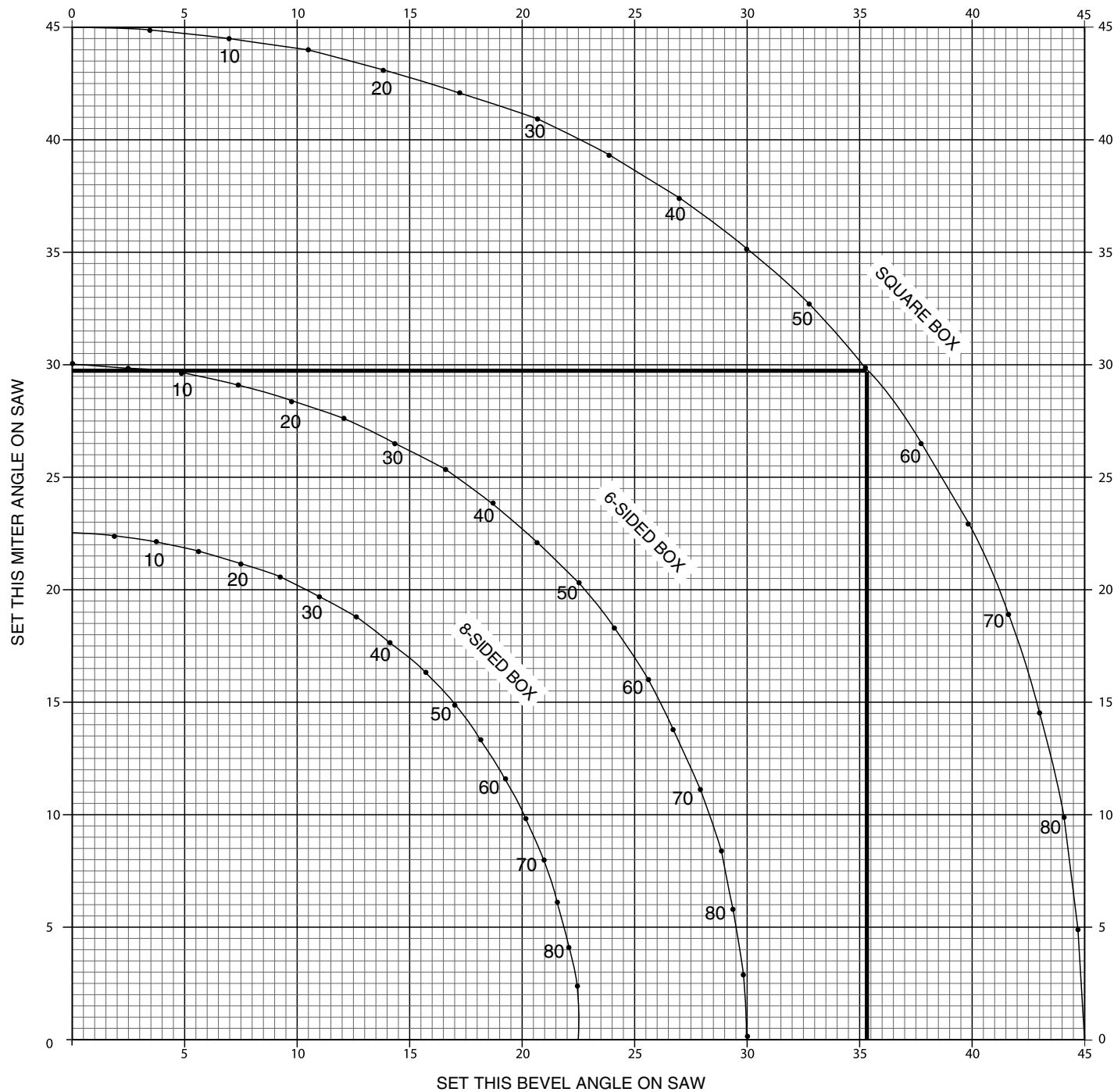


TABLE DES MATIÈRES

INSTRUCTIONS RELATIVES À LA DOUBLE ISOLATION ET À LA FICHE POLARISÉE	18	BROSSES.....	26
RÈGLES DE SÉCURITÉ POUR TOUS LES OUTILS	18	COMMANDES	26
RÈGLES DE SÉCURITÉ SUPPLÉMENTAIRES.....	19	FONCTIONNEMENT.....	27
CONNEXION ÉLECTRIQUE.....	21	INTERRUPTEUR	27
ACCESSOIRES	21	DÉCOUPE À L'AIDE DE VOTRE SCIE	27
DESCRIPTIONS DE LA LAME	22	COUPES TRANSVERSALES	27
DÉSEMBALLAGE DE VOTRE SCIE	22	COUPES EN BISEAU	28
FICHE TECHNIQUE.....	22	QUALITÉ DE COUPE.....	28
FAMILIARISATION	22	POSITION DU CORPS ET DES MAINS	28
MONTAGE SUR ÉTABLI	22	FIXATION DE LA PIÈCE	28
CHANGEMENT OU POSE D'UNE NOUVELLE LAME DE SCIE.....	23	INSTALLATION DE LA BRIDE	28
DÉPOSE DE LA LAME	22	SOUTIEN DES PIÈCES LONGUES.....	29
POSE D'UN LAME	23	DÉCOUPE DE CADRES, DE COFFRAGES ET D'AUTRES OBJETS À QUATRE FACES	29
TRANSPORT DE LA SCIE	23	DÉCOUPE DE MOULURES DE GARNISSAGE ET D'AUTRES CADRES.....	29
RÉGLAGES	23	DÉCOUPE À ONGLET MIXTE	30
RÉGLAGE DE L'ÉCHELLE D'ONGLET	23	DÉCOUPE DE MOULURES D'EMBASE	30
RÉGLAGE DU POINTEUR D'ONGLET	24	DÉCOUPE DE MOULURES COURONNÉES	30
BISEAU D'ÉQUERRE AVEC LA TABLE	24	DÉCOUPES SPÉCIALES	32
POINTEUR DE BISEAU	24	DÉPOSE ET REMPLACEMENT DE LA COURROIE	32
AJUSTEMENT DROIT ET GAUCHE DE 45 ° DE LA BUTÉE DE BISEAU	24	INFORMATION SUR LES RÉPARATIONS OU L'ENTRETIEN	32
AJUSTEMENT DU GUIDE	25	ENTRETIEN.....	32
FREIN ÉLECTRIQUE AUTOMATIQUE.....	25	GARANTIE.....	33
ACTIVATION ET VISIBILITÉ DU PARE-MAIN.....	25	GUIDE DE DÉPANNAGE.....	33
RÉGLAGE DE LA PLAQUE DE TRAIT DE SCIE	25	TABLEAU 1 : DÉCOUPE À ONGLET MIXTE	34
RÉGLAGE DE LA GLISSIÈRE DE SÉCURITÉ.....	25		
RÉGLAGE DU BLOCAGE D'ONGLET	26		

Définitions : lignes directrices en matière de sécurité

Les définitions ci-dessous décrivent le niveau de danger pour chaque mot-indicateur employé. Lire le mode d'emploi et porter une attention particulière à ces symboles.

⚠ DANGER : indique une situation dangereuse imminente qui, si elle n'est pas évitée, **causera la mort ou des blessures graves**.

⚠ AVERTISSEMENT : indique une situation potentiellement dangereuse qui, si elle n'est pas évitée, **pourrait causer la mort ou des blessures graves**.

⚠ ATTENTION : indique une situation potentiellement dangereuse qui, si elle n'est pas évitée, **peut causer des blessures mineures ou modérées**.

ATTENTION : utilisé sans le symbole d'alerte de sécurité, indique une situation potentiellement dangereuse qui, si elle n'est pas évitée, **peut causer des dommages matériels**.

POUR TOUTE QUESTION OU TOUT COMMENTAIRE SUR CET OUTIL OU SUR TOUT AUTRE OUTIL DEWALT, COMPOSER LE NUMÉRO SANS FRAIS SUIVANT : 1-800-4-DEWALT (1-800-433-9258).

Consignes de sécurité importantes

⚠ AVERTISSEMENT : Lire toutes les directives avant d'utiliser le produit. Négliger de suivre toutes les directives suivantes peut entraîner des risques de chocs électriques, d'incendie et/ou de blessures graves.

LIRE TOUTES CES DIRECTIVES

Double isolation

Les outils à double isolation comportent partout deux couches d'isolation électrique séparées ou une double épaisseur de matériau isolant entre l'opérateur et le système électrique de l'outil. Les outils comportant ce système d'isolation ne sont pas conçus pour être mis à la terre. L'outil est donc doté d'une prise à deux broches qui permet d'utiliser des rallonges sans avoir à se soucier de maintenir une connexion à la terre.

REMARQUE : la double isolation ne remplace pas les précautions normales de sécurité lors de l'utilisation de cet outil. Le système d'isolation sert à apporter une protection accrue contre toute blessure résultant d'une défaillance d'isolation électrique potentielle à l'intérieur de l'outil.

⚠ ATTENTION : EN CAS DE RÉPARATION, UTILISER UNIQUEMENT DES PIÈCES DE RECHANGE IDENTIQUES. Réparer ou remplacer les cordons d'alimentation endommagés.

Fiches polarisées

Certains appareils comportent des fiches polarisées (c'est-à-dire qu'une lame est plus large que l'autre) afin de réduire le risque de choc électrique. Lorsqu'elle est présente, cette fiche ne se branche que d'une seule façon dans une prise de courant polarisée. Si la fiche ne s'insère pas totalement dans la prise de courant, l'inverser. Si elle ne s'insère toujours pas dans la prise, demander à un électricien compétent d'installer une fiche polarisée. Ne pas remplacer la fiche.

Consignes de sécurité pour tous les outils

⚠ AVERTISSEMENT : TOUJOURS utiliser une protection oculaire lors de l'utilisation de la scie à onglets pour réduire le risque de blessures aux yeux.

Cette scie à onglets est compatible avec la lampe de travail et le laser DEWALT.

- **MAINTENIR LE PROTÈGE-LAME EN PLACE** et en état de fonctionnement.
- **RETIRER LES CLÉS À MOLETTE ET LES CLÉS DE RÉGLAGE**. S'habituer à vérifier si les clés à molette et les clés de réglage sont retirées de la broche avant de mettre l'outil sous tension. Des outils, des déchets de découpe et d'autres débris peuvent être projetés à grande vitesse, provoquant des blessures.

- **GARDER LA ZONE DE TRAVAIL PROPRE**. Les zones et établis encombrés sont souvent des causes d'accidents.
- **NE PAS UTILISER L'APPAREIL DANS UN ENVIRONNEMENT DANGEREUX**. L'utilisation d'outils électriques dans des endroits humides ou mouillés ou sous la pluie peut provoquer un choc électrique ou une électrocution. Tenir la zone de travail bien éclairée pour éviter de trébucher ou de mettre bras, mains et doigts en danger.
- **TENIR LES ENFANTS À L'ÉCART**. Tous les visiteurs doivent se trouver à une distance sûre de la zone de travail. Un atelier représente un environnement potentiellement dangereux.
- **S'ASSURER QUE L'ATELIER NE PRÉSENTE PAS DE DANGER POUR LES ENFANTS** : utiliser des cadenas, des interrupteurs principaux ou retirer les clés de démarrage. Le démarrage non autorisé d'un appareil par un enfant ou un visiteur pourrait se solder par des blessures.
- **NE PAS FORCER L'OUTIL**. Le travail sera mieux accompli et sera moins dangereux au rythme prévu pour l'appareil.
- **UTILISER L'OUTIL APPROPRIÉ**. Ne pas forcer un outil ou un accessoire pour effectuer un travail auquel il n'a pas été conçu. L'utilisation d'un outil ou d'un accessoire inapproprié pourrait se solder par des blessures corporelles.
- **PORTER LES VÊTEMENTS APPROPRIÉS**. Ne pas porter ni vêtement ample, ni gant, ni cravate, ni bague, ni bracelet, ni autre bijou, car ces derniers pourraient s'enchevêtrer dans des pièces mobiles. Des souliers antidérapants sont recommandés. Se couvrir les cheveux s'ils sont longs. Se tenir éloigné des événements, car ces derniers pourraient camoufler des pièces mobiles.
- **TOUJOURS PORTER DES LUNETTES DE SÉCURITÉ**. Les lunettes ordinaires ne constituent PAS des lunettes de sécurité. Utiliser également un masque facial ou antipoussière si l'opération de découpe génère de la poussière. **TOUJOURS PORTER UN ÉQUIPEMENT DE SÉCURITÉ HOMOLOGUÉ** :
 - protection oculaire conforme à la norme ANSI Z87.1 (CAN/CSA Z94.3);
 - protection auditive conforme à la norme ANSI S12.6 (S3.19);
 - protection des voies respiratoires conforme aux normes NIOSH/OSHA/MSHA.
- **FIXER LA PIÈCE**. Utiliser des brides de fixation ou un étau pour maintenir la pièce sur la table et contre le guide. Faire de même lorsque le travail à effectuer exigera que la main de l'opérateur se trouve très proche de la lame (à moins de 152 mm [6 po]). Une telle pratique est plus sécuritaire, car l'opérateur peut utiliser ses deux mains pour faire fonctionner l'outil.
- **NE PAS TROP TENDRE LES BRAS**. Conserver son équilibre en tout temps. Une perte d'équilibre risque d'entraîner une blessure corporelle.
- **PRENDRE SOIN DES OUTILS**. S'assurer que les outils sont aiguisés et propres afin d'optimiser sécurité et performance. Suivre les consignes de graissage et de changement d'accessoires. Les machines et outils mal entretenus peuvent s'endommager davantage et/ou provoquer des blessures.
- **ÉTEINDRE L'APPAREIL ET COUPER LE COURANT** avant d'installer ou de retirer des accessoires, avant de réaliser ou de modifier un réglage et lors de réparations ou de déplacements de l'appareil. Un démarrage accidentel peut provoquer des blessures. Ne pas toucher aux lames métalliques de la fiche lors du branchement ou du débranchement du cordon d'alimentation.
- **RÉDUIRE LE RISQUE DE DÉMARRAGE ACCIDENTEL**. S'assurer que l'interrupteur se trouve sur la position « ARRÊT » avant de brancher le cordon d'alimentation.
- **UTILISER UNE RALLONGE APPROPRIÉE**. S'assurer que la rallonge est en bon état. Si le produit est doté d'un cordon amovible, utiliser uniquement une rallonge à 3 fils pourvue d'une fiche de mise à la terre à 3 lames et d'une prise à 3 fentes correspondant à la fiche de l'outil. Lorsqu'une rallonge est utilisée, s'assurer d'utiliser un calibre suffisamment élevé pour assurer le transport du courant nécessaire au fonctionnement de l'appareil. Une rallonge de calibre inférieur causera une chute de tension de ligne et

donc une perte de puissance et une surchauffe. Le tableau suivant indique le calibre approprié à utiliser selon la longueur de la rallonge et l'intensité nominale de la plaque signalétique. En cas de doute, utiliser le calibre supérieur suivant. Plus le numéro de calibre est petit, plus le cordon est de calibre élevé.

Tension	Calibre minimal pour rallonge			
	Longueur totale du cordon en mètres (pieds)			
120 V	0 à 7,5	7,6 à 15,5	15,6 à 30,5	30,6 à 45,5
	(0 à 25)	(26 à 50)	(51 à 100)	(101 à 150)
240 V	0 à 15,5	15,6 à 30,5	30,6 à 61	61,2 à 91,5
	(0 à 50)	(51 à 100)	(101 à 200)	(201 à 300)

Intensité nominale		AWG			
Plus de	Pas plus de				
0 -	6	18	16	16	14
6 -	10	18	16	14	12
10 -	12	16	16	14	12
12 -	16	14	12	Non recommandé	

- **VÉRIFIER QUE LES PIÈCES NE SONT PAS ENDOMMAGÉES.** Avant toute utilisation ultérieure de l'outil, un protège-lame (ou une autre pièce) endommagé doit être soigneusement examiné afin de déterminer s'il fonctionnera correctement et remplira sa fonction prévue – vérifier l'alignement des pièces mobiles, la présence de grippage des pièces mobiles, de rupture de pièces, la fixation et tout problème pouvant nuire au fonctionnement de l'outil. Un protège-lame (ou toute autre pièce) endommagé doit être réparé et remplacé adéquatement. Ne pas utiliser l'appareil si l'interrupteur ne fonctionne pas.
- **UTILISER LES ACCESSOIRES RECOMMANDÉS.** N'utiliser que les accessoires conseillés par le fabricant pour le modèle de l'outil. Des accessoires qui conviennent à un outil pourraient être dangereux lorsqu'ils sont utilisés avec un autre outil. Une liste des accessoires recommandés se trouve dans le mode d'emploi. L'utilisation d'accessoires incorrects peut entraîner un risque de blessure corporelle.
- **NE JAMAIS SE TENIR SUR L'OUTIL.** Une blessure grave pourrait se produire en cas de basculement de l'outil ou de démarrage accidentel de l'outil de découpe.
- **NE JAMAIS LAISSER L'OUTIL FONCTIONNER SANS SURVEILLANCE. ÉTEINDRE L'APPAREIL.** Ne pas laisser l'outil tant qu'il n'est pas complètement arrêté. De graves blessures pourraient survenir.
- **NE PAS UTILISER D'OUTILS ÉLECTRIQUES À PROXIMITÉ DE LIQUIDES INFLAMMABLES OU DANS UNE ATMOSPHÈRE GAZEUSE OU EXPLOSIVE.** Les moteurs de ces outils peuvent provoquer des étincelles et enflammer des vapeurs.
- **ÊTRE VIGILANT, SURVEILLER LE TRAVAIL EFFECTUÉ ET FAIRE PREUVE DE JUGEMENT. NE PAS UTILISER L'APPAREIL EN CAS DE FATIGUE OU SOUS L'INFLUENCE DE DROGUES, D'ALCOOL ou DE MÉDICAMENTS.** En effet, un moment d'inattention en utilisant des outils électriques peut se solder par des blessures.

Règles de sécurité supplémentaires pour les scies à onglets

▲ **AVERTISSEMENT :** Ne pas laisser une bonne connaissance de l'outil (acquise par l'utilisation fréquente de la scie) prendre préséance sur les règles de sécurité. Toujours se souvenir qu'une fraction de seconde d'imprudance est suffisante pour infliger de graves blessures.

- **NE PAS FAIRE FONCTIONNER CET APPAREIL** avant qu'il ne soit entièrement assemblé et installé conformément aux directives. Un appareil mal assemblé peut provoquer des blessures graves.

- **DEMANDER CONSEIL** à un superviseur, à un instructeur ou à toute autre personne qualifiée si l'on ne maîtrise pas parfaitement l'utilisation de cet appareil. La connaissance est synonyme de sécurité.
- **STABILITÉ.** S'assurer que la scie à onglets est posée sur une surface portante fixe et ne risque pas de glisser ou de se déplacer durant son utilisation. Si le système de mobilité est installé, relever la ou les roulettes mobiles de manière à ce que la scie soit en position stable.
- **SUIVRE TOUS LES CODES DE CÂBLAGE** et les branchements électriques recommandés afin d'éviter les chocs électriques ou l'électrocution. Il faut protéger la ligne d'alimentation électrique avec un fusible à temporisation ou un disjoncteur d'au moins 15 ampères.
- **S'ASSURER** que la lame tourne dans le bon sens. Les dents de la lame doivent pointer dans le sens de rotation, comme il est indiqué sur la scie.
- **SERRER TOUTES LES POIGNÉES DE FIXATION**, les boutons et les leviers avant l'utilisation de la scie. Si les brides sont lâches, des pièces ou la pièce à travailler pourraient être projetées à grande vitesse.
- **S'ASSURER QUE** la lame au complet et les attaches de lame sont propres, que les côtés encastrés des attaches de lame sont appuyés sur la lame et que la vis de l'arbre est bien serrée. Un mécanisme de serrage de lame lâche ou mal installé risque d'endommager la scie et de provoquer des blessures corporelles.
- **UTILISER TOUJOURS UNE LAME TRANCHANTE.** Vérifier que la lame fonctionne bien dans l'axe et qu'elle ne vibre pas. Une lame émoussée ou une lame qui vibre peut endommager l'appareil et/ou provoquer des blessures graves.
- **NE PAS UTILISER UNE TENSION AUTRE QUE CELLE DÉSIGNÉE** pour la scie. Une tension autre risquerait d'entraîner une surchauffe, des dommages à la scie et des blessures corporelles.
- **NE PAS PLACER QUOI QUE CE SOIT CONTRE LE VENTILATEUR** pour retenir l'arbre moteur. Une telle pratique peut endommager l'outil et entraîner des blessures corporelles.
- **NE PAS** forcer l'action de coupe. Le calage partiel ou complet du moteur peut causer des dommages à l'appareil ou à la lame et/ou des blessures graves.
- **LAISSER LE MOTEUR ATTEINDRE SON PLEIN RÉGIME** avant de commencer la coupe. Commencer à couper trop tôt peut endommager l'appareil ou la lame et/ou provoquer des blessures graves.
- **NE JAMAIS COUPER DE MÉTAUX FERREUX** (métaux contenant du fer ou de l'acier) ni de la maçonnerie. En coupant l'un ou l'autre de ces matériaux, les pointes carburées peuvent se détacher de la lame, et ce, à grande vitesse. Cela peut provoquer des blessures graves.
- **NE PAS UTILISER DE MEULES ABRASIVES.** La chaleur excessive et les particules abrasives qu'elles produisent risquent d'endommager la scie et de causer des blessures corporelles.
- **AUCUNE** partie du corps ne doit se trouver dans la trajectoire de la lame de la scie. Un tel positionnement risque d'entraîner des blessures corporelles.
- **NE JAMAIS** appliquer de lubrifiant sur une lame en fonctionnement. L'application de lubrifiant pourrait amener l'opérateur à déplacer ses mains jusque sur la lame et ainsi se blesser gravement.
- **IL NE FAUT PAS** placer une main à proximité de la lame lorsque la scie est branchée au bloc d'alimentation. Le fonctionnement inopiné de la lame risquerait d'entraîner des blessures graves.
- **NE PAS RÉALISER D'OPÉRATIONS À MAIN LEVÉE** (pièce à travailler non soutenue par la table et le guide). Tenir la pièce à travailler fermement contre le guide et la table. Une opération à main levée avec une scie à onglets risquerait de projeter la pièce à grande vitesse, provoquant ainsi des blessures graves.

- **NE PAS PASSER LES MAINS AUTOUR** de la lame de scie ou derrière celle-ci. Une lame peut provoquer des blessures graves.
- **IL NE FAUT PAS** passer les mains sous la scie sauf si elle est hors tension et débranchée. Tout contact avec la lame de scie pourrait entraîner des blessures corporelles.
- **FIXER L'APPAREIL SUR UNE SURFACE DE SUPPORT STABLE.** Les vibrations sont susceptibles de faire glisser, sautiller ou basculer l'appareil, ce qui peut provoquer des blessures graves.
- **UTILISER UNIQUEMENT LES LAMES À TRONÇONNER** recommandées pour les scies à onglets. Pour obtenir de meilleurs résultats, utiliser uniquement des angles de coupe de zéro degré ou négatifs lors de l'utilisation de lames à pointes carburées. Ne pas utiliser des lames à dents très espacées. Celles-ci peuvent dévier et faire contact avec le protège-lame et endommager ainsi l'appareil et/ou provoquer des blessures graves.
- **UTILISER SEULEMENT DES LAMES DE DIMENSION ET DE TYPE APPROPRIÉS** prévues pour cet outil, et ce, pour éviter d'endommager l'appareil et/ou d'entraîner des blessures graves.
- **INSPECTER LA LAME POUR REPÉRER DES FISSURES** ou d'autres dommages avant l'utilisation. Une lame fissurée ou endommagée peut se détacher et des fragments peuvent être projetés à grande vitesse, ce qui peut provoquer des blessures graves. Remplacer les lames fissurées ou endommagées immédiatement.
- **NETTOYER LA LAME ET LES ATTACHES DE LAME** avant l'utilisation. Le nettoyage de la lame et des attaches de lame permet de détecter tout dommage à la lame ou aux attaches de lame. Une lame ou une attache de lame fissurée ou endommagée peut se détacher et des fragments peuvent être projetés à grande vitesse, ce qui peut provoquer des blessures graves.
- **IL NE FAUT PAS** utiliser de graisse ni de produits nettoyants (en particulier de pulvérisateur ou d'aérosol) à proximité du protège-lame en plastique. Certains produits chimiques peuvent attaquer le matériau de polycarbonate dont il est constitué.
- **TOUJOURS UTILISER LA PLAQUE DE TRAIT DE SCIE ET LA REMPLACER LORSQU'ELLE EST ENDOMMAGÉE.** L'accumulation de petits copeaux sous la scie pourrait nuire à la lame ou rendre la pièce instable lors de la découpe.
- **UTILISER SEULEMENT LES ATTACHES DE LAME** prévues pour cet outil afin de prévenir tout dommage et/ou des blessures graves.
- **DÉGAGER LES ÉVÉNEMENTS DU MOTEUR** de toute sciure ou de tout copeau. Des événements de moteur obstrués peuvent provoquer la surchauffe de l'appareil, ce qui l'endommagerait et provoquerait peut-être un court-circuit qui pourrait engendrer des blessures graves.
- **TENIR LES BRAS, LES MAINS ET LES DOIGTS** éloignés de la lame afin d'éviter des coupures graves. Fixer solidement toutes les pièces qui exigeraient que la main soit à moins de 152 mm (6 po) de la lame de scie.
- **NE JAMAIS VERROUILLER L'INTERRUPTEUR** en position de « MARCHÉ ». Une telle pratique peut entraîner des blessures corporelles graves.
- **ÉTEINDRE L'APPAREIL** et laisser la lame s'immobiliser complètement avant de relever le bras, de nettoyer la zone de la lame, d'enlever les débris de la trajectoire de la lame et avant l'entretien ou le réglage de l'outil. Une lame mobile peut provoquer des blessures graves.
- **SOUTENIR CORRECTEMENT LES PIÈCES LONGUES OU LARGES.** La perte de contrôle de la pièce peut provoquer des blessures.
- **NE JAMAIS** croiser les bras devant la lame au moment d'utiliser l'outil. Toujours effectuer un fonctionnement à sec (non alimenté) avant de réaliser une coupe de finition. Ainsi, la trajectoire de la lame peut être vérifiée, ce qui permet d'éviter toute blessure corporelle grave.

- **DES INFORMATIONS SUPPLÉMENTAIRES** (c.-à-d., une vidéo sur la sécurité), indiquant comment utiliser des outils électriques correctement et en toute sécurité, sont disponibles auprès du Power Tool Institute, 1300 Sumner Avenue, Cleveland, OH 44115-2851 É.-U. (www.powertoolinstitute.com). Des renseignements sont également offerts par le National Safety Council, 1121 Spring Lake Drive, Itasca, IL 60143-3201 É.-U. Se reporter à la norme ANSI 01.1 de l'American National Standards Institute concernant les exigences en matière de sécurité pour les appareils de travail du bois ainsi qu'à la réglementation OSHA 1910.213 du département du travail des É.-U. (Department of Labor).

⚠ ATTENTION : Ne connectez pas l'appareil à une source d'alimentation électrique tant que vous n'avez pas complètement lu et compris les instructions..

⚠ AVERTISSEMENT : Toujours porter une protection auditive appropriée conformément à la norme ANSI S12.6 (S3.19) lors de l'utilisation du produit. Dans certaines conditions et selon la durée d'utilisation, le bruit émis par ce produit pourrait contribuer à une perte auditive.

⚠ AVERTISSEMENT : NE JAMAIS EFFECTUER DE COUPE SI LE MATÉRIAU N'EST PAS MAINTENU EN PLACE SUR LA TABLE ET CONTRE LE GUIDE.

⚠ AVERTISSEMENT : Certaines poussières produites par les activités de ponçage, de sciage, de meulage, de perçage et autres activités de construction peuvent contenir des produits chimiques pouvant causer le cancer, des anomalies congénitales ou d'autres problèmes liés aux fonctions reproductrices. Voici quelques exemples de ces produits chimiques :

- le plomb contenu dans les peintures à base de plomb;
- la silice cristalline de la brique, du ciment et d'autres produits de maçonnerie; et
- l'arséniate de cuivre et de chrome provenant du bois traité chimiquement.

Les risques liés à l'exposition à ces poussières varient selon la fréquence à laquelle vous travaillez avec ce type de matériaux. Afin de réduire votre exposition à ces produits chimiques : travaillez dans un endroit bien ventilé et portez un équipement de sécurité approuvé comme un masque anti-poussières conçu spécialement pour filtrer les particules microscopiques.

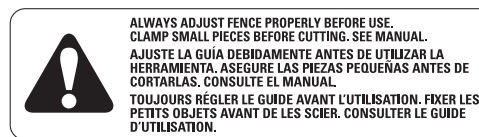
- Évitez le contact prolongé avec les poussières produites par les activités de ponçage, sciage, meulage, perçage et autres activités de construction. Portez des vêtements de protection et lavez les parties du corps exposées avec une solution d'eau et de savon. Le fait de laisser la poussière pénétrer par la bouche et les yeux ou de la laisser reposer sur la peau, peut promouvoir l'absorption de produits chimiques nocifs.

⚠ AVERTISSEMENT : L'utilisation de cet outil peut produire ou propulser des poussières qui pourraient causer des problèmes respiratoires graves et permanents ou d'autres problèmes médicaux. Portez toujours un appareil respiratoire approuvé par la NIOSH/ OSHA pour vous protéger de la poussière. Dirigez les particules à l'écart de votre visage et de votre corps.

Pour plus de commodité et de sécurité, les étiquettes de sécurité suivantes sont apposées sur votre scie à onglet.

SUR LE BOÎTIER DU MOTEUR :

⚠ AVERTISSEMENT : POUR VOTRE PROPRE SÉCURITÉ, LISEZ LE MODE D'EMPLOI AVANT D'UTILISER LA SCIE.



EN CAS DE RÉPARATION, UTILISEZ UNIQUEMENT DES PIÈCES DE RECHANGE IDENTIQUES.

N'EXPOSEZ PAS LA SCIE À LA PLUIE ET NE L'UTILISEZ PAS DANS UN ENDROIT HUMIDE.

PORTEZ TOUJOURS UNE PROTECTION OCULAIRE.

SUR LES GUIDES MOBILES :

AJUSTEZ TOUJOURS CORRECTEMENT LE GUIDE AVANT UTILISATION. FIXEZ LES PETITES PIÈCES AVANT DE LES DÉCOUPER. VOIR LE MANUEL.

SUR LE PARE-MAIN : DANGER – RESTEZ À L'ÉCART DE LA LAME.

SUR LE PARE-MAIN SUPÉRIEUR : FIXEZ BIEN LE SUPPORT DE FIXATION AVEC LES DEUX VIS AVANT D'UTILISER LE PRODUIT.

SUR LA TABLE : (À 2 ENDROITS)

SERREZ TOUJOURS BIEN LES POIGNÉES DE RÉGLAGE AVANT UTILISATION.

GARDEZ LES MAINS À 15 CM (6 PO) DE LA TRAJECTOIRE DE LA LAME DE LA SCIE.

N'EFFECTUEZ JAMAIS AUCUNE OPÉRATION À MAIN LEVÉE.

NE PASSEZ JAMAIS LES BRAS DEVANT LA LAME.

RÉFLÉCHISSEZ! VOUS POUVEZ ÉVITER LES ACCIDENTS

N'UTILISEZ PAS LA SCIE SANS QUE LES PARE-MAINS NE SOIT EN PLACE.

ÉTEIGNEZ L'OUTIL, GARDEZ LA SCIE TÊTE EN BAS ET ATTENDEZ QUE LA SCIE S'ARRÊTE AVANT DE DÉPLACER VOS MAINS OU LA PIÈCE OU DE MODIFIER LES RÉGLAGES.

DÉBRANCHEZ L'OUTIL AVANT DE CHANGER DE LAME, DE DÉPLACER OU DE RÉPARER L'APPAREIL.

DANGER PELIGRO

KEEP AWAY FROM BLADE
MANTENERS ALEJADO DE LA HOJA
S'ÉLOIGNER DE LA LAME



DW7080

PLAQUE D'EXTREMITÉ
ÉCROUS DE VERROUILLAGE

DW7084

DW7082

DW7187

DWS7085

Connexion électrique

Assurez-vous que votre alimentation est compatible avec l'inscription de la plaque signalétique. 120 volts, C.A. signifie que votre scie fonctionne en courant alternatif. L'interrupteur est susceptible de panne en cas d'utilisation de courant continu. Une diminution de tension de 10 pour cent ou plus cause une perte de puissance et une surchauffe. Tous les outils DEWALT sont testés en usine. Si cet outil ne fonctionne pas, vérifiez l'alimentation.

Accessoires

Si vous avez besoin d'assistance pour trouver tout accessoire, veuillez contacter DEWALT Industrial Tool Co., 701 East Joppa Road, Baltimore, MD 21286, États-Unis, composer le 1 (800) 4-DEWALT (1-800-433-9258) ou visiter notre site Web à www.dewalt.com.

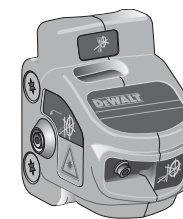
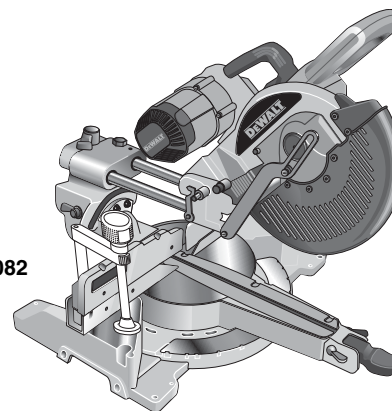
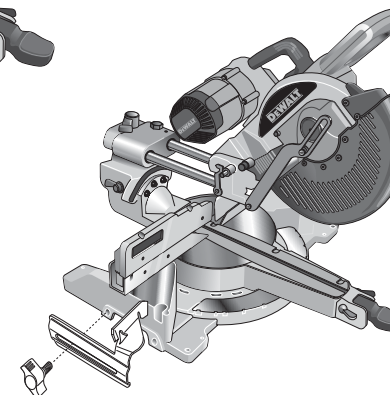
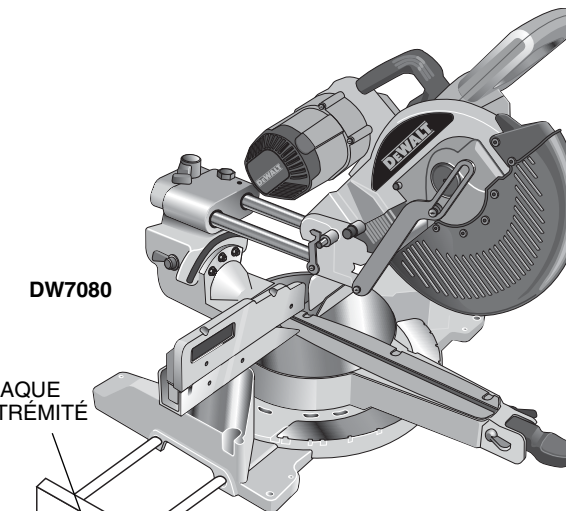
⚠️ AVERTISSEMENT : puisque les accessoires autres que ceux offerts par DEWALT n'ont pas été testés avec ce produit, l'utilisation de ceux-ci avec l'outil pourrait s'avérer dangereuse. Pour réduire le risque de blessures, utiliser exclusivement les accessoires DEWALT recommandés avec le présent produit.

Accessoires facultatifs

Les accessoires suivants, conçus pour votre scie, peuvent vous être utiles. Dans certains cas, d'autres supports d'ouvrage, butées réglables, fixations, etc. peuvent être plus appropriés. Faites attention lors du choix et de l'utilisation d'accessoires

Système guidé par laser : DW7187

Alimenté par la scie, le trait laser brillant améliore la visibilité dans les emplacements à éclairage faible ou intense. Facile à installer.



Extension, support d'ouvrage : DW7080

Le support d'ouvrage est utilisé pour soutenir de longues pièces qui dépassent. Il est assemblé par l'utilisateur. Votre table à scier est conçue pour accepter deux supports d'ouvrage, un de chaque côté.

Bride de fixation : DW7082 (modèle semblable inclus)

Sert à fixer fermement la pièce sur la table à scier pour une découpe de précision.

Sac à poussière : DW7053 (livré avec certains modèles)

Équipé d'une fermeture à glissière pour un vidage facile, le sac à poussière capture la plus grande partie de la sciure produite (non illustré).

Guide de moulures couronnées : DW7084

Sert pour la découpe de précision de moulures couronnées.

Système de lampe de travail à DEL : DWS7085

Éclairage utilisé pour une plus grande visibilité et alignement de découpage lors du fonctionnement. Facile à installer.

LAMES DE SCIE : TOUJOURS UTILISER DES LAMES DE SCIE DE 254 mm (10 po) COMPORTANT DES ALÉSAGES CENTRAUX DE 25,4 mm (1 po). LE RÉGIME DOIT ÊTRE AU MOINS DE 5 000 TR/MIN. Ne jamais utiliser de lames de diamètre inférieur. Le protège-lame ne serait pas adéquat. Utiliser uniquement des lames à tronçonner! Ne pas utiliser de lames conçues pour un sciage rapide, des lames combinées ou des lames à crochets d'un angle supérieur à 5°.

DESCRIPTION DES LAMES		
APPLICATION	DIAMÈTRE	DENTS
Lames de scie de construction (<i>fin trait de scie avec côté anticollant</i>)		
Polyvalente	254 mm (10 po)	40
Tronçonnage fin	254 mm (10 po)	60
REMARQUE : les lames à trait fin de 60 dents (60T) non insonorisées peuvent « sonner » lorsqu'elles tournent à vide.		
Lames de scie pour travail du bois (<i>fournissent des coupes propres et régulières</i>)		
Tronçonnage fin	254 mm (10 po)	80
Métaux non ferreux	254 mm (10 po)	80
REMARQUE : pour la coupe de métaux non-ferreux, utiliser uniquement des lames de scie conçues à cet effet.		

Désemballage de votre scie

Vérifiez le contenu du carton de votre scie à onglet pour vérifier que toutes les pièces vous ont été livrées. En plus de ce mode d'emploi, le carton devrait contenir :

1. Une scie à onglet DW717.
2. Une lame de scie DEWALT de 254 mm (10 po) de diamètre.
3. Une clé de lame située dans la poche de clé illustrée à la figure 9.
4. Un sac à poussière DW7053 (certains modèles).
5. Une bride de fixation de matériel.

Fiche technique

CAPACITÉ DE DÉCOUPE

Onglet droit à 51 °, onglet gauche à 60 °

Biseau droit et gauche à 48 °

Onglet à 0 °

Hauteur maximale 89 mm (3,5 po)	Largeur résultante 302 mm (11,9 po)
Largeur maximale 320 mm (12,6 po)	Hauteur résultante 76 mm (3,0 po)

Onglet à 45 °

Hauteur maximale 89 mm (3,5 po)

Largeur maximale 226 mm (8,9 po)

Largeur résultante 213 mm (8,4 po)

Hauteur résultante 76 mm (3,0 po)

Biseau à 45 ° - gauche

Hauteur maximale 58 mm (2,3 po)

Largeur maximale 320 mm (12,6 po)

Largeur résultante 302 mm (11,9 po)

Hauteur résultante 50 mm (2,0 po)

Biseau à 45 ° - droite

Hauteur maximale 30 mm (2,2 po)

Largeur maximale 320 mm (12,6 po)

Largeur résultante 302 mm (11,9 po)

Hauteur résultante 22 mm (0,9 po)

Votre scie est capable de découper des moulures de plinthes de 20 mm (0,8 po) de largeur par 120 mm (4,75 po) de hauteur sur un onglet droit ou gauche à 45 °.

Note: Your saw is capable of cutting the following once a special setup procedure is followed (see Special Cuts).

onglet à 0 ° hauteur 38 mm (1,5 po) largeur 391 mm (15,4 po)

onglet à 45 ° hauteur 38 mm (1,5 po) largeur 287 mm (11,3 po)

ENTRAÎNEMENT

Moteur 120 Volt

Puissance d'entrée : 1 600

4 000 tr/min

Courroie trapézoïdale multiple

Frein électrique automatique

Moteur 15 ampères

Engrenages hélicoïdaux taillés

Roulements à rouleau

Lame en carbure

Familiarisation

Votre scie à onglet est livrée entièrement assemblée dans le carton. Ouvrez la boîte et glissez la scie pour enlever comme illustré avec la figure le 1.

Placez la scie sur une surface lisse et plane telle qu'un établi ou une table solide.

Examinez les deux figures situées à la Page 24 pour vous familiariser avec la scie et ses différentes pièces. La section concernant les réglages se référera à ces termes et vous devez savoir quelles sont les différentes pièces et où elles se trouvent.

ATTENTION : Risque de pincement. Pour réduire le risque de blessures, garder le pouce sous la poignée lors de son abaissement. Lors de l'abaissement de la poignée, le dispositif de protection inférieur se déplacera vers le haut et pourrait pincer l'utilisateur.

Appuyez légèrement sur la poignée de fonctionnement et retirez l'épingle de verrouillage. Relâchez doucement la pression vers le bas et tenez le bras en lui permettant de se relever complètement. Utilisez l'épingle de verrouillage lorsque vous transportez la scie d'un endroit à l'autre.

Pour déplacer la scie, utilisez toujours la poignée de transport ou les indentations manuelles illustrées à la figure 2.

Montage sur établi

Les 4 pieds sont munis de trous pour faciliter le montage sur établi, tel qu'illustré à la figure 4 (deux trous de taille différente sont prévus afin d'accueillir des vis de différentes tailles. Utilisez l'un des trous, il n'est pas nécessaire d'utiliser les deux.) Assemblez toujours fermement votre scie sur une surface stable pour éviter tout mouvement. Pour améliorer la portabilité de l'outil, il peut être monté sur une pièce de

FIG. 1

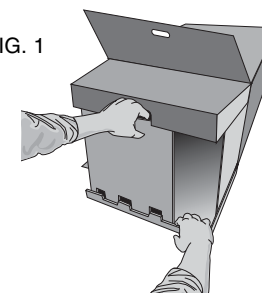
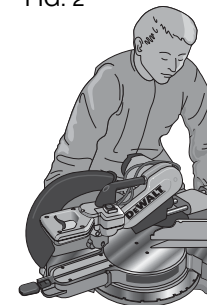


FIG. 2



contreplaqué de 1,2 cm (1/2 po) ou plus d'épaisseur, qui peut à son tour être fixée à votre support d'ouvrage ou déplacée vers un autre site de travail et fixée à nouveau.

REMARQUE : Si vous avez décidé de monter votre scie sur une pièce de contreplaqué, assurez-vous que les vis de montage ne dépassent pas de la partie inférieure du bois. Le contreplaqué doit reposer à plat sur le support d'ouvrage. Lors de la fixation de la scie à toute surface de travail, ne la fixez que sur les brides de fixation où se situent les trous des vis de montage. L'utilisation des brides de fixation à tout autre endroit interférerait à coup sûr avec le fonctionnement adéquat de la scie.

ATTENTION : Pour éviter tout grippage et manque de précision, assurez-vous que la surface de montage n'est pas tordue et ne présente pas d'autre défaut. Si la scie bascule sur la surface, placez une pièce de matériau de faible épaisseur sous l'un des pieds de la scie, jusqu'à ce que cette dernière soit fermement assise sur la surface de montage.

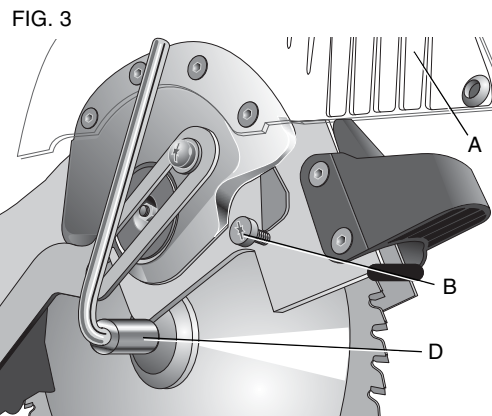
DIRECTIVES DE SÉCURITÉ IMPORTANTES

Changement ou pose d'une nouvelle lame de scie (fig. 3)

AVERTISSEMENT : Pour réduire le risque de blessures corporelles graves, éteindre l'outil et le débrancher avant de le déplacer, de changer d'accessoires ou de faire un réglage quelconque autre que ceux indiqués dans les directives sur le réglage par laser.

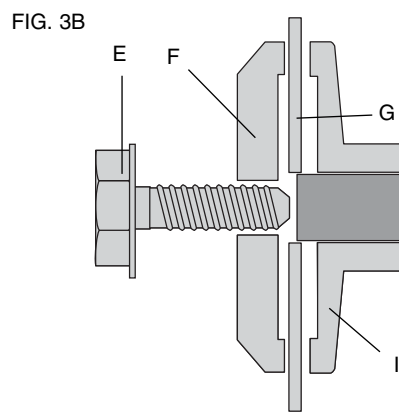
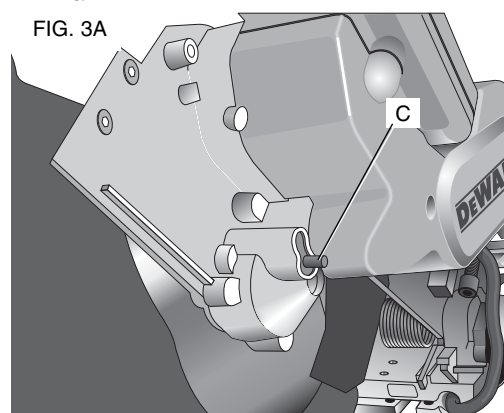
ATTENTION :

- N'enfoncez jamais le bouton de verrouillage de la broche lorsque la lame est sous tension ou qu'elle continue de tourner après l'arrêt de la scie.
- Ne coupez pas de métal ferreux (contenant du fer ou de l'acier), un élément de maçonnerie ou du fibrociment avec cette scie à ongles.



Dépose de la lame

1. Débranchez la scie.
2. Soulevez le bras jusqu'à la position supérieure, puis levez le pare-main (A) aussi haut que possible.
3. Desserrez la vis du support du pare-main (B) sans l'enlever de manière à ce que le support puisse être levé suffisamment haut pour accéder à la vis de la lame. Le pare-main inférieur demeurera levé en raison de la position de la vis du support de pare-main.



4. Enfoncez le bouton de verrouillage de la broche (C) tout en tournant la lame de scie manuellement de manière à engager le dispositif de verrouillage.
5. Maintenez le bouton enfoncé et utilisez l'autre main et la clé fournie (D) pour desserrer la vis de la lame. (Tournez dans le sens horaire, filets inversés).
6. Enlever la vis (E) de la lame, la bride de fixation extérieure (F) et la lame (G). Il est possible de laisser la rondelle de pressurisation intérieure (I) sur la broche.

Pose d'une lame

1. Débranchez la scie.
2. Tout en maintenant le bras et le support du pare-main relevés et le pare-main inférieur ouvert, insérer la lame sur la broche contre la rondelle de pressurisation intérieure. S'assurer que les dents inférieures de la lame pointent vers l'arrière de la scie.
3. Assembler l'attache de lame extérieure sur la broche.
4. Posez la vis de la lame et, tout en engageant le bouton de verrouillage de la broche, serrez fermement la vis avec la clé fournie. (Tournez dans le sens antihoraire, filets inversés).
5. Remettez le support de pare-main à sa position d'origine, puis serrez fermement la vis du support de pare-main afin de maintenir en place le support.

AVERTISSEMENT :

- Le support du pare-main doit être remis à sa position d'origine et la vis doit être serrée avant d'activer la scie.
- Si vous négligez de faire, le pare-main risque d'entrer en contact avec la lame de scie tournante et ainsi causer des dommages à la scie et des blessures corporelles sérieuses.

Transport de la scie

AVERTISSEMENT : Pour réduire le risque de blessures corporelles graves, éteindre l'outil et le débrancher avant de le déplacer, de changer d'accessoires ou de faire un réglage quelconque autre que ceux indiqués dans les directives sur le réglage par laser.

AVERTISSEMENT : pour réduire le risque de blessures graves, TOUJOURS verrouiller les poignées de blocage du rail, d'onglet et de biseau et celles de réglage du guide, et mettre en place la goupille de verrouillage de la scie en position abaissée avant de transporter la scie.

Afin de transporter aisément la scie à ongles d'un endroit à l'autre, l'outil est doté d'une poignée de transport sur la partie supérieure du bras de la scie et d'indentations manuelles sur sa base, tel qu'illustré à la figure 4.

Réglages

AVERTISSEMENT : Pour réduire le risque de blessures corporelles graves, éteindre l'outil et le débrancher avant de le déplacer, de changer d'accessoires ou de faire un réglage quelconque autre que ceux indiqués dans les directives sur le réglage par laser.

REMARQUE : Votre scie à ongles est réglée en usine de manière complète et précise au moment de sa fabrication. Si un nouveau réglage est requis à cause de l'expédition, du transport ou d'une autre raison, suivez la procédure suivante pour régler votre scie.

Lorsque ces réglages ont été effectués, ils devraient conserver leur précision. Passez maintenant quelques instants à suivre ces directives attentivement afin de profiter de l'intégralité de la précision dont votre scie est capable.

RÉGLAGE D'ÉCHELLE D'ONGLET (FIG. 5)

Placez une équerre contre le guide de la scie et contre la lame, comme illustré. (Ne touchez pas aux extrémités des dents de scie avec l'équerre. Cela nuirait à la précision des mesures.) Desserrez la poignée de blocage d'onglet et faites basculer le bras d'onglet jusqu'à ce que le loquet d'onglet verrouille sur la position d'onglet 0. Ne serrez

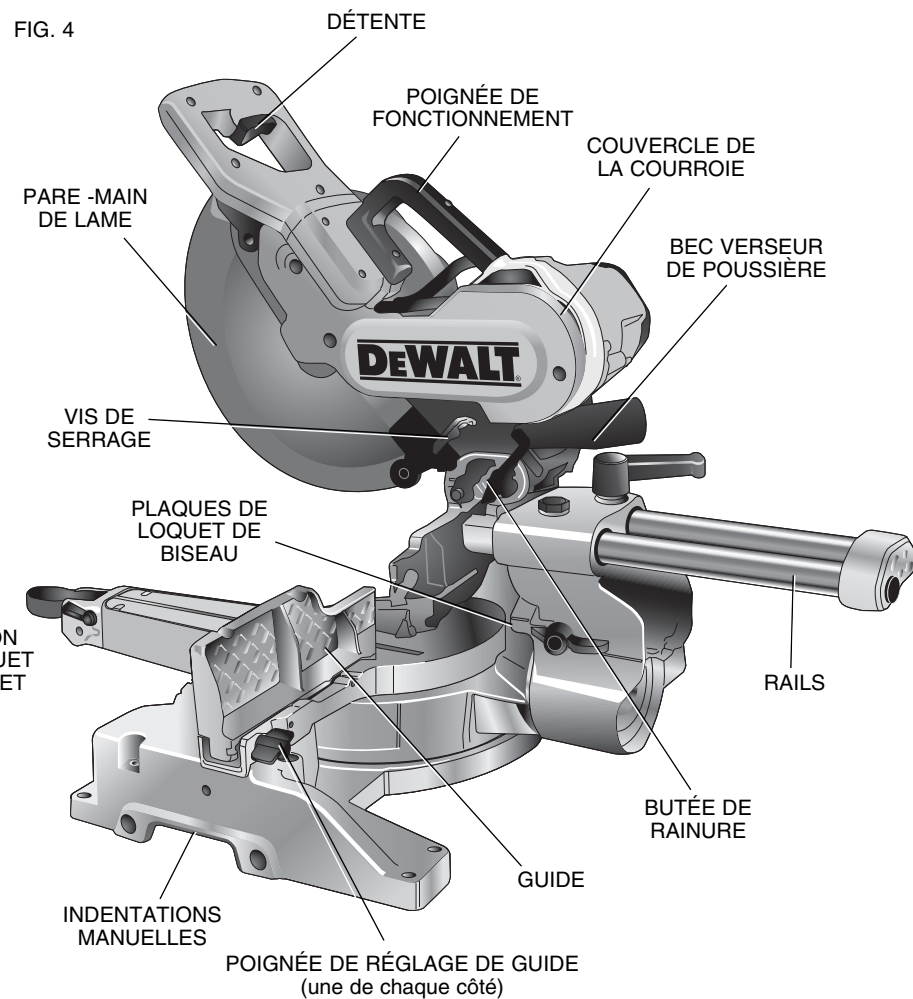
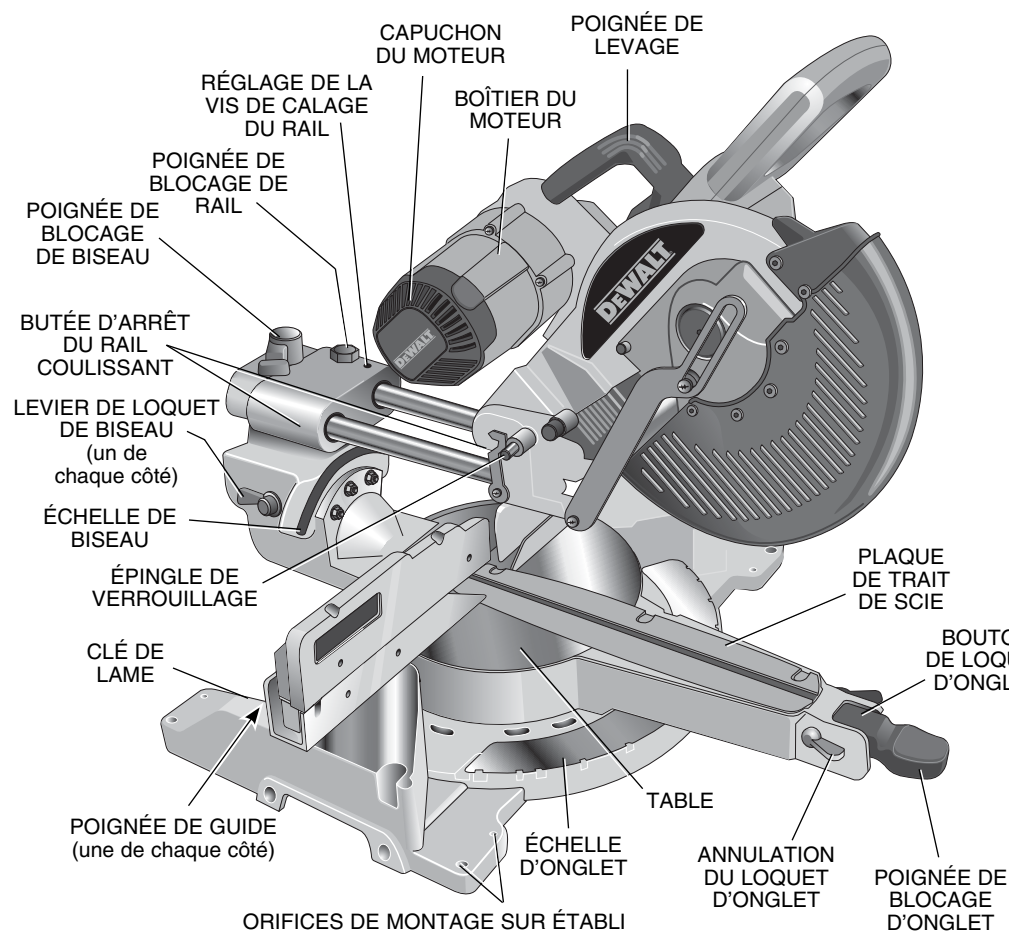


FIG. 4

pas la poignée de blocage. Si la lame de la scie n'est pas exactement perpendiculaire au guide, desserrez les quatre vis qui maintiennent l'échelle d'onglet sur la base et déplacez l'échelle vers la gauche ou la droite jusqu'à ce que la lame soit perpendiculaire au guide, en vous servant de l'équerre. Resserrez les quatre vis. Ne prêtez pas encore attention à la valeur lue sur le pointeur de l'onglet.

RÉGLAGE DU POINTEUR D'ONGLET (FIG. 6)

Desserrez la poignée de blocage d'onglet pour déplacer le bras d'onglet vers la position zéro. Après avoir desserré la poignée de blocage de l'onglet, laissez le loquet de l'onglet s'enclencher en faisant pivoter le bras d'onglet vers la position zéro. Observez le pointeur et l'échelle d'onglet illustrés à la figure 6. Si le pointeur n'indique pas exactement zéro, desserrez la vis le maintenant en place, repositionnez-le et resserrez la vis.

RÉGLAGE DU BISEAU D'ÉQUERRE À LA TABLE (FIG. 8)

Pour aligner la lame d'équerre avec la table, verrouillez le bras en position basse. Placer une équerre contre la lame et la table en prenant soin que l'équerre ne touche pas une dent de la lame. Desserrer la poignée de blocage de biseau et s'assurer que le loquet de biseau est fermement enclenché à 0 degré. Si la lame n'est pas exactement perpendiculaire à la table, desserrer les trois écrous qui retiennent à la table les plaques crantées de biseau. Régler l'écrou central afin de permettre un léger glissement entre l'écrou et la table. Tapoter doucement le moteur ou le couvercle de la courroie pour déplacer l'assemblage supérieur jusqu'à ce que la lame soit d'équerre avec la

table. Serrer l'écrou central. La butée de biseau à 45 degrés doit être réglée après avoir réglé la perpendicularité du biseau à la table.

POINTEUR DE BISEAU (FIG. 8)

Si le pointeur de biseau n'indique pas zéro, desserrer la vis qui le fixe en place et le déplacer au besoin.

AJUSTEMENT DROIT ET GAUCHE DE 45 ° DE LA BUTÉE DE BISEAU (FIG. 8)

Votre scie possède deux réglages de biseau à 45 degrés, un pour la droite et l'autre pour la gauche. La procédure est la même pour les deux.

Pour aligner les butées à 45 degrés, bloquez le bras en position basse. Placez une équerre usuelle contre la lame et la table en prenant soin que l'équerre ne touche pas une

FIG. 5

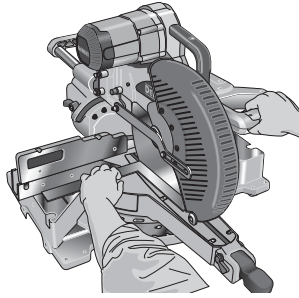


FIG. 6

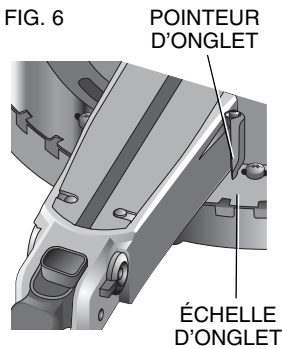


FIG. 7

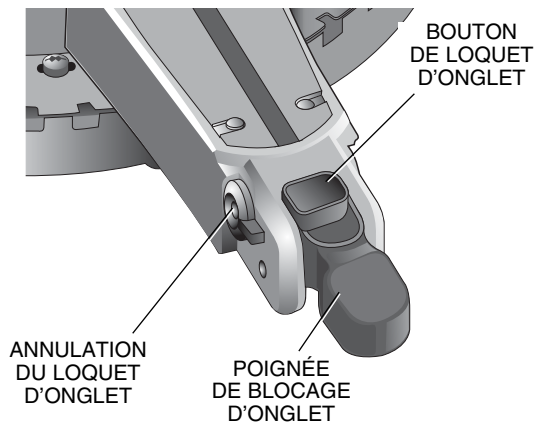
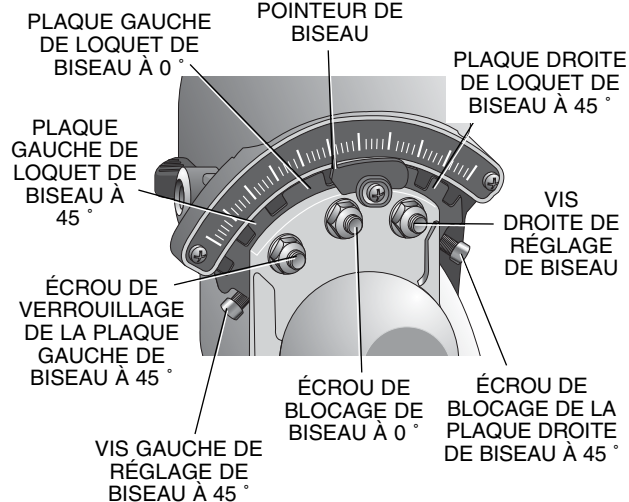


FIG. 8



dent de scie. Desserrez la poignée de blocage de biseau et assurez-vous que le loquet de biseau est fermement enclenché à 45 degrés. Si la lame de la scie n'est pas exactement à 45 degrés par rapport à la table, relâchez l'écrou maintenant la plaque du loquet de biseau à 45 degrés à la table. Tournez la vis de réglage d'un ou deux tours dans le sens antihoraire afin que l'angle entre la lame et la table soit inférieur à 45 degrés. Tournez ensuite la vis de réglage dans le sens horaire jusqu'à ce que la lame et la table forment un angle à 45 degrés. Resserrez l'écrou de verrouillage.

AJUSTEMENT DE GUIDE (FIG. 9)

⚠AVERTISSEMENT : Pour réduire le risque de blessures corporelles graves, éteindre l'outil et le débrancher avant de le déplacer, de changer d'accessoires ou de faire un réglage quelconque autre que ceux indiqués dans les directives sur le réglage par laser.

Afin que la scie puisse biseauter à 48 degrés vers la gauche ou la droite, l'un des guides doit être ajusté afin de fournir le dégagement suffisant. Pour ce faire, desserrez une poignée en plastique et faites glisser le guide vers l'extérieur. Effectuez un essai à blanc en laissant la scie hors tension et en vérifiant le dégagement. Ajustez le guide de sorte à être aussi proche de la lame que possible afin de fournir un soutien maximal à la pièce sans interférer avec les mouvements du bras vers le haut et le bas. Serrez bien la poignée. Lorsque les opérations de biseautage sont terminées, n'oubliez pas de remettre le guide en place.

REMARQUE : La rainure des guides peut être obturée par de la sciure. Si vous remarquez que cela se produit, utilisez un bâton ou de l'air à basse pression pour déboucher la rainure du guide.

FREIN ÉLECTRIQUE AUTOMATIQUE

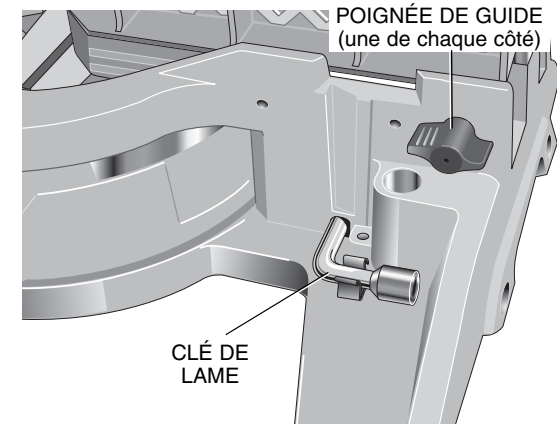
Votre scie est équipée d'un frein de lame électrique automatique qui arrête la lame de la scie dans les 5 secondes qui suivent le relâchement de la détente. Cela n'est pas réglable.

Un délai peut parfois se produire entre le relâchement de la détente et l'engagement du frein. En de rares occasions, le frein peut ne pas s'engager du tout et la lame ralentira jusqu'à s'arrêter complètement.

Si un délai ou un « saut » se produit, allumez et éteignez la scie 4 ou 5 fois. Si le problème persiste, faites réparer l'outil par un centre de service agréé DEWALT.

Assurez-vous toujours que la lame s'est arrêtée avant de la retirer du trait de scie. Le frein n'est pas un remplacement pour les pare-mains. Pour assurer votre sécurité, concentrez-vous entièrement sur la scie.

FIG. 9



ACTIVATION ET VISIBILITÉ DU PARE-MAIN

⚠ATTENTION : Risque de pincement. Pour réduire le risque de blessures, garder le pouce sous la poignée lors de son abaissement. Lors de l'abaissement de la poignée, le dispositif de protection inférieur se déplacera vers le haut et pourrait pincer l'utilisateur.

Le pare-main de la lame de votre scie est conçu pour se soulever automatiquement lorsque le bras est descendu et pour s'abaisser par-dessus la lame lorsque le bras est levé.

Il est possible de soulever manuellement le pare-main lors de l'installation ou de la dépose de lames de scie ou pour inspecter la scie. **NE SOULEVEZ JAMAIS MANUELLEMENT LE PARE-MAIN DE LA LAME SI LA SCIE N'EST PAS HORS TENSION.**

REMARQUE : Certaines découpes spéciales de matériaux de grande taille requièrent de soulever manuellement le pare-main. Voir Page 30.

La partie frontale du pare-main est persiennée pour offrir de la visibilité pendant la découpe. Bien que les persiennes réduisent drastiquement les projections de débris, il s'agit d'ouvertures dans le pare-main; vous devez donc toujours porter des lunettes de sécurité lorsque vous regardez au travers des persiennes.

RÉGLAGE DE LA PLAQUE DE TRAIT DE SCIE

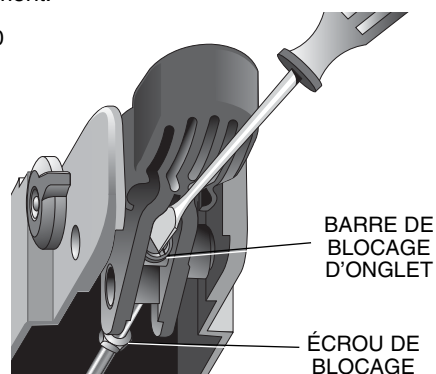
Pour ajuster les plaques de trait de scie, desserrez les vis maintenant les plaques en place. Réglez la position des plaques de telle sorte qu'elles soient aussi proches que possible sans interférer avec le mouvement de la lame.

RÉGLAGE DE LA GLISSIÈRE DE SÉCURITÉ

Vérifiez régulièrement les rails pour vous assurer de l'absence de jeu ou de dégagement. Il est possible de régler le rail de droite à l'aide de la vis de calage illustrée

à la figure 4. Pour réduire le dégagement, utilisez une clé hexagonale de 4 mm et faites graduellement pivoter la vis de calage dans le sens horaire tout en faisant glisser la tête de vis en va et vient. Réduire au maximum le dégagement sans toutefois provoquer une résistance au déplacement.

FIG. 10



RÉGLAGE DU VERROUILLAGE DE L'ONGLET

La barre de verrouillage de l'onglet doit être réglée s'il est possible de déplacer la table à scier lorsque le verrou d'onglet est verrouillé. Pour ajuster la poignée de blocage d'onglet, placez cette dernière en position haute et non verrouillée. À l'aide d'une clé à fourche, desserrez l'écrou de verrouillage de la barre de verrouillage d'onglet (figure 10). À l'aide d'un tournevis à fente, serrez la barre de verrouillage d'onglet en la faisant tourner dans le sens horaire comme illustré à la figure 10. Tournez la barre jusqu'à ce qu'elle soit bien serrée puis tournez d'un tour dans le sens antihoraire. Pour vous assurer que la poignée de blocage d'onglet fonctionne correctement, verrouillez-la à nouveau sur une mesure ne correspondant pas à une détente, par exemple 34 degrés, et vérifiez que la table ne pivote pas. Resserrez l'écrou de verrouillage.

Brosses

AVERTISSEMENT : Pour réduire le risque de blessures corporelles graves, éteindre l'outil et le débrancher avant de le déplacer, de changer d'accessoires ou de faire un réglage quelconque autre que ceux indiqués dans les directives sur le réglage par laser.

Inspectez régulièrement les brosses en carbone : débranchez l'outil, enlevez le capuchon du moteur (fig. 4) soulevez le ressort de la brosse et retirez l'assemblage de la brosse. Assurez-vous que les brosses sont propres et qu'elles glissent librement dans leurs guides. Remplacez toujours dans son support une brosse utilisée dans le sens où elle se trouvait avant d'être retirée. Plusieurs symboles sont estampillés sur les faces des brosses en carbone; une brosse doit être remplacée lorsqu'elle est usée d'environ 1,5 cm (1/2 po) car le ressort n'exerce

plus de pression. N'utilisez que des brosses DEWALT identiques. Il est essentiel pour un fonctionnement correct du frein électrique d'utiliser le grade adéquat de brosse. De nouveaux assemblages de brosse sont disponibles auprès des centres de service DEWALT. Laissez l'outil « tourner à blanc » (tourner sans charge) pendant 10 minutes pour qu'une brosse neuve se positionne correctement. Le frein électrique peut ne pas fonctionner correctement tant que les brosses ne sont pas correctement positionnées (usées). Remplacez toujours le capuchon d'inspection de brosse après avoir inspecté ou réparé une brosse.

Lors d'un « fonctionnement à blanc », N'ATTACHEZ PAS, NE FIXEZ PAS AU MOYEN DE RUBAN ADHÉSIF ET NE VERROUILLEZ PAS D'UNE AUTRE MANIÈRE LA DÉTENTE EN POSITION MARCHÉ. NE LA TENEZ QU'À LA MAIN.

Commandes

Votre scie à onglet mixte est dotée de plusieurs commandes, qui sont brièvement évoquées ici. Pour plus de renseignements au sujet de ces commandes, consultez plus haut les rubriques respectives du manuel.

COMMANDE D'ONGLET (FIG. 7)

La poignée de réglage/verrouillage d'onglet et la détente vous permettent d'assembler votre scie en onglet à 60 degrés à gauche et à 50 degrés à droite. Pour assembler la scie en onglet, soulevez la poignée de réglage/verrouillage d'onglet, appuyez sur le bouton du loquet d'onglet et réglez l'angle d'onglet souhaité sur l'échelle d'onglet. Appuyez la poignée de blocage vers le bas pour verrouiller la table à scier.

DÉTENTE

La détente (fig. 4) vous permet d'allumer et d'éteindre votre scie. Elle est dotée d'un orifice afin de pouvoir y insérer un cadenas pour assurer la sécurité de la scie.

ANNULATION DE LOQUET D'ONGLET (FIG. 7)

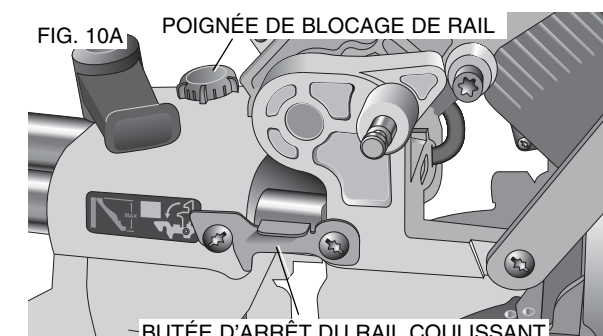
L'annulation de loquet d'onglet permet à votre scie d'outrepasser les angles habituels de butées. La scie comporte deux clés pour outrepasser le loquet d'onglet, un de chaque côté de la commande d'onglet. Pour ignorer les angles habituels de butées, faire pivoter les clés pour loquet d'onglet vers le bas. Si le bouton du loquet d'onglet est enfoncé, les clés d'annulation du loquet d'onglet reviendront automatiquement en position d'annulation.

COMMANDE DE BISEAU (FIG. 8)

Les leviers de loquet de biseau et la poignée de blocage de biseau vous permettent d'assembler la scie en biseau jusqu'à 48 degrés vers la gauche et la droite. Votre scie est munie de deux leviers de loquet de biseau, un de chaque côté du boîtier de support arrière. Un seul levier

doit être utilisé pour déplacer le biseau dans l'un des deux sens. La poignée de blocage de biseau est située sur le boîtier de support arrière. Pour assembler la scie en biseau, desserrez la poignée de blocage de biseau. Soulevez un des leviers jusqu'à environ 45 degrés et indiquez l'angle de biseautage souhaité sur l'échelle de biseau. Deux échelles de biseau sont fournies pour plus de commodité. Verrouillez la poignée de blocage de biseau pour maintenir le biseau en place. Il est possible de lever verticalement les leviers de loquet de biseau pour annuler les angles de butées habituels.

La poignée de blocage de biseau est conçue de telle sorte à ne pouvoir pivoter que de manière limitée. Il est possible de réorienter la poignée pour compenser une usure normale. La poignée de blocage de biseau doit être réorientée si, lorsque cette dernière est serrée, il est possible de déplacer le biseau de la scie. Pour régler la poignée de blocage de biseau, retirez la vis située au centre de la poignée. Retirez soigneusement la poignée à l'aide d'un tournevis plat. Réorientez et installez la poignée de telle sorte qu'elle maintienne le biseau après avoir été resserrée. Installez et serrez la vis.



BUTÉE D'ARRÊT DU RAIL COULISSANT (FIG. 10A)

La commande de la butée d'arrêt du rail coulissant permet de positionner les rails de la scie de sorte qu'il soit possible de couper les moulures les plus larges possibles en position verticale. SERRER TOUJOURS LA POIGNÉE DE BLOCAGE DE RAIL LORS DE L'UTILISATION DE LA BUTÉE D'ARRÊT DU RAIL COULISSANT POUR EMPÊCHER TOUT DÉPLACEMENT SOUDAIN DU SYSTÈME.

POIGNÉE DE BLOCAGE DE RAIL (FIG. 4)

La poignée de blocage de rail vous permet de verrouiller fermement la tête de scie pour l'empêcher de glisser sur les rails. Cela est nécessaire lors de certaines découpes et du transport de la scie.

BUTÉE DE RAINURE (FIG. 4)

La butée de rainure permet d'effectuer des découpes de rainure. Pour modifier la profondeur de la découpe de rainure, basculez le levier vers l'avant de la scie et réglez la vis de serrage. Pour passer outre les butées de rainure, basculez le levier vers l'arrière de la scie.

ÉPINGLE DE VERROUILLAGE DE LA TÊTE (FIG. 4)

Pour verrouiller la tête de scie en position basse, poussez la tête vers le bas, enfoncez l'épingle et relâchez la tête de scie. Cela maintiendra la tête de scie en bas en toute sécurité pendant le déplacement de la scie d'un endroit à un autre. Pour déverrouiller, poussez la tête de scie vers le bas et retirez l'épingle.

Fonctionnement

Branchez la scie sur une alimentation domestique standard en 60 Hz. Référez-vous à la plaque signalétique pour la tension. Assurez-vous que le cordon n'interférera pas avec votre travail.

INTERRUPTEUR

Pour mettre la scie sous tension, relâchez la détente. Pour mettre l'outil hors tension, relâchez la détente. Laissez la lame tourner à plein régime avant d'entamer la découpe. Relâchez la détente et laissez le frein arrêter complètement la lame avant de soulever la tête de scie. Il n'y a pas de mécanisme de blocage de la détente, mais cette dernière est dotée d'un orifice permettant d'insérer un cadenas pour assurer la sécurité de la scie.

DÉCOUPE À L'AIDE DE VOTRE SCIE

Si la fonction de glissement n'est pas utilisée, s'assurer que la tête de la scie est reculée aussi loin que possible et que la poignée de blocage de rail est serrée. Cela permettra d'éviter que la scie glisse le long de ses rails quand la pièce de travail est engagée.

REMARQUE : Bien que cette scie puisse couper du bois et de nombreux matériaux non métalliques, cette discussion est limitée à la découpe de bois. Les mêmes directives s'appliquent aux autres matériaux. **NE COUPEZ PAS À L'AIDE DE CETTE SCIE DE MATÉRIAU FERREUX (FER ET ACIER) OU D'ÉLÉMENT DE MAÇONNERIE.** N'utilisez pas de lame abrasive.

COUPES TRANSVERSALES

La découpe de plusieurs pièces n'est pas recommandée mais elle peut être effectuée en toute sécurité en s'assurant que chaque pièce est maintenue fermement en place contre la table et le guide. Lorsque la scie atteint son plein régime (en environ 1 seconde), baissez doucement et lentement le bras pour découper le bois. Laissez la lame s'arrêter complètement avant de relever le bras.

Une coupe transversale est une coupe de bois effectuée au travers du fil à n'importe quel angle. Une coupe transversale droite s'effectue avec le bras d'onglet en position zéro degré. Réglez et verrouillez le bras d'onglet à

FIG. 11

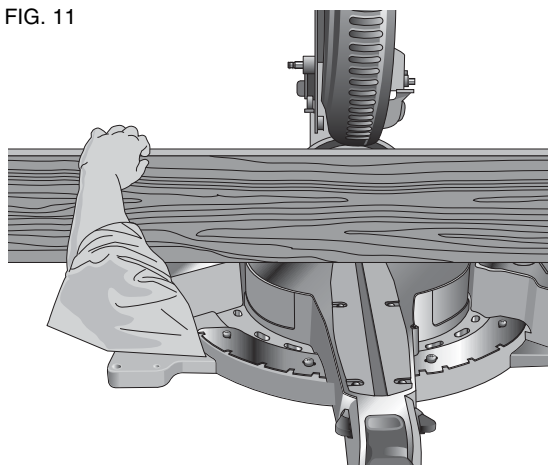
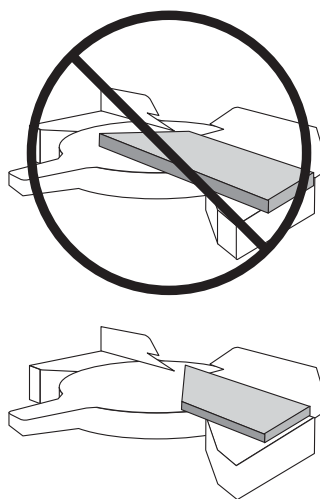


FIG. 12



zéro, maintenez fermement le bois en place sur la table et contre le guide. Après avoir serré la poignée de blocage de rail, mettez la scie en marche en appuyant sur la détente vers le bas comme illustré à la figure 4.

Lorsque la scie atteint son plein régime (en environ 1 seconde), baissez doucement et lentement le bras pour découper le bois. Laissez la lame s'arrêter complètement avant de relever le bras.

Lors de la découpe de toute pièce plus grande que 111,8 mm (4,4 po.) [76,2 mm (3 po.) 45° miter] avec un onglet à 45 degrés, utilisez un mouvement extérieur-bas-retour après avoir desserré la poignée de blocage de rail. Tirez la scie vers vous, abaissez la tête de scie vers la pièce et repoussez lentement la scie pour terminer la coupe. Ne laissez pas la scie entrer en contact avec le

FIG. 13A

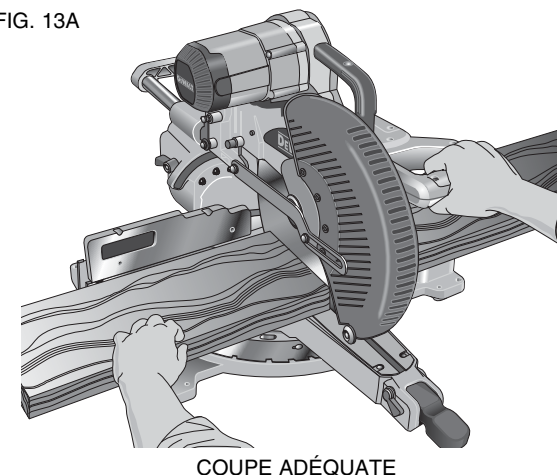
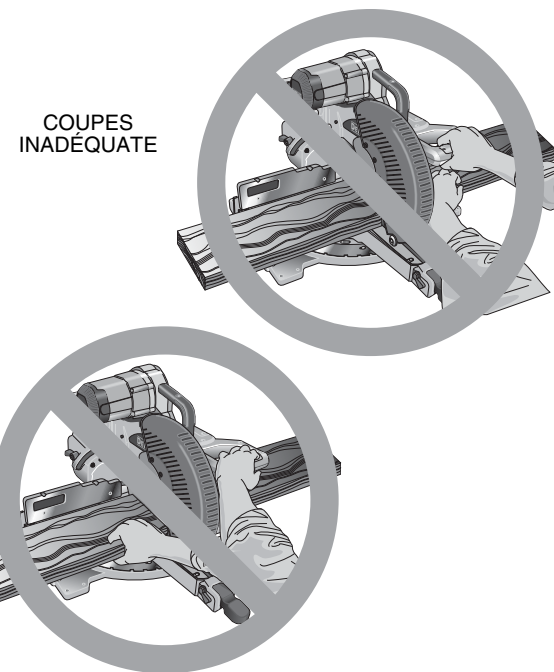


FIG. 13B



sommet de la pièce lorsque vous tirez dessus. La scie pourrait se déplacer rapidement vers vous et pourrait entraîner une blessure corporelle ou endommager votre pièce.

REMARQUE : Afin d'augmenter la capacité de coupe transversale avec des coups de scie réduits, la lame du DW717 s'étend plus profondément dans la table. Il s'ensuit que la force de levage exercée sur la pièce durant la coupe peut être plus importante.

⚠ ATTENTION : Utilisez toujours un pinceur de travail pour conserver la maîtrise de la pièce et réduire le risque de dommages à votre pièce et de blessure corporelle.

REMARQUE : la poignée de blocage de rail illustrée à la figure 4 doit être desserrée pour permettre à la scie de glisser le long de ses rails.

Les coupes transversales à l'onglet s'effectuent avec le bras d'onglet disposé à un angle différent de zéro. L'angle est souvent de 45° pour couper des coins, mais peut être défini comme n'importe quelle valeur à gauche ou à droite. Effectuer la coupe comme décrit ci-dessus.

Lors de la coupe sur la largeur, de pièces plus larges que 51 x 152 mm (2 x 6 po) dont la longueur est plus courte, placer toujours le côté le plus long contre le guide (fig. 12).

Pour couper une pièce en suivant une ligne au crayon, essayer de faire correspondre le plus possible l'angle. Couper d'abord la pièce un peu plus longue puis mesurer de la ligne au crayon au bord coupé pour déterminer la direction de réglage de l'angle d'onglet puis couper de nouveau. Il faut un peu de pratique mais cette technique demeure toutefois très utilisée.

COUPES EN BISEAU

Une coupe en biseau est une coupe transversale réalisée avec la lame de la scie formant un angle avec la pièce en bois. Afin de mettre le biseau en place, desserrez la poignée de blocage de biseau, soulevez le levier de loquet de biseau (figure 4) et déplacez la scie comme souhaité vers la gauche ou la droite. (Il est nécessaire de déplacer le guide pour permettre un dégagement suffisant). Lorsque l'angle de biseau souhaité a été réglé, resserrez bien la poignée de fixation de biseau.

Les angles de biseau peuvent être définis entre 48 degrés à droite et 48 degrés à gauche et peuvent être coupés avec l'arbre à onglet positionné entre 50 degrés à droite et 60 degrés à gauche. Dans le cas de certains angles extrêmes, il est possible de devoir retirer le guide de gauche ou de droite. Pour ce faire, dévissez la poignée de réglage de guide de quelques tours et retirez le guide en le faisant glisser.

QUALITÉ DE COUPE

La qualité de toute coupe dépend de plusieurs variables. Des paramètres tels que le matériau coupé, le type de lame, la dureté de la lame et la vitesse de coupe contribuent tous à la qualité de coupe.

Lorsque des coupes plus régulières sont souhaitées, notamment dans le cas de moulures ou d'autres travaux de précision, une lame aiguisée (60 dents en carbure) et une vitesse de coupe plus faible et plus régulière produiront le résultat souhaité.

Assurez-vous que le matériau ne flue pas pendant l'opération de coupe en le fixant de manière sûre. Laissez toujours la lame s'arrêter complètement avant de relever le bras.

FIG. 14

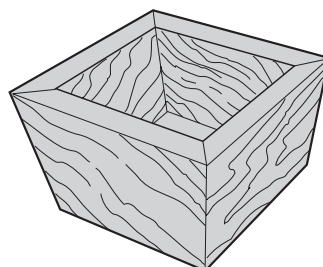


FIG. 15

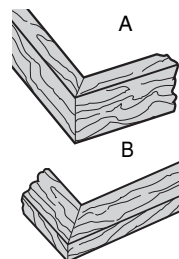
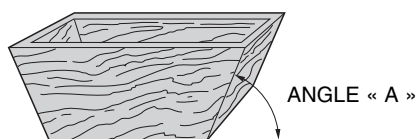


FIG. 16



Si de petites fibres de bois sont toujours projetées à l'arrière de la pièce, placez un morceau de ruban adhésif de carrossier sur le bois à l'endroit où la coupe sera effectuée. Sciez à travers le ruban adhésif et retirez-le soigneusement lorsque vous avez terminé.

Pour différentes applications de coupe, consultez la liste de lames de scie recommandées pour votre outil et sélectionnez celle qui s'adapte le mieux à vos besoins (Page 22).

POSITION DU CORPS ET DES MAINS (FIG. 13A)

Un positionnement adéquat de votre corps et de vos mains lors de l'utilisation de la scie à onglet rendra la coupe plus facile, plus précise et plus sûre. Ne placez jamais vos mains à proximité de la zone de coupe. Ne les placez pas à moins de 15 cm (6 po) de la lame. Maintenez fermement la pièce en place contre la table et le guide pendant l'opération de coupe. Gardez vos mains en position jusqu'au relâchement de la détente et à l'arrêt complet de la lame. EFFECTUEZ TOUJOURS DES ESSAIS À BLANC (SANS ALIMENTATION) AVANT DE RÉALISER VOS COUPES AFIN DE VÉRIFIER LA TRAJECTOIRE DE LA LAME. NE CROISEZ PAS LES MAINS, TEL QU'ILLUSTRÉ À LA FIGURE 13B.

Gardez vos pieds ancrés au sol afin de maintenir votre équilibre. Lorsque vous déplacez le bras d'onglet vers la gauche ou la droite, suivez-le et tenez-vous légèrement sur le côté de la lame de la scie. Observez au travers des persiennes du pare-main lorsque vous suivez un trait tiré au crayon.

FIXATION DE LA PIÈCE

⚠ AVERTISSEMENT : Pour réduire le risque de blessures corporelles graves, éteindre l'outil et le débrancher avant de le déplacer, de changer d'accessoires ou de faire un réglage quelconque autre que ceux indiqués dans les directives sur le réglage par laser.

⚠ AVERTISSEMENT : Une pièce qui est serrée, équilibrée et fixée avant d'être coupée peut devenir déséquilibrée après la coupe. Une charge déséquilibrée risque de faire basculer la scie ou toute chose à laquelle la scie est fixée, comme une table ou un établi. Au moment de couper une pièce qui risque d'être déséquilibrée, bien la soutenir et s'assurer que la scie est bien boulonnée à une surface stable. Il y a risque de blessure corporelle.

⚠ AVERTISSEMENT : Le pied de la bride doit demeurer solidement fixé au-dessus de la base de la scie chaque fois que la bride est utilisée. Toujours serrer la pièce à la base de la scie et non à une autre partie de la zone de travail. S'assurer que le pied de la bride n'est pas solidement fixé sur le bord de la base de la scie.

Si vous ne pouvez pas manuellement maintenir la pièce sur la table et contre le guide (à cause d'une forme irrégulière ou d'une autre raison) ou que votre main se trouverait à moins de 15 cm (6 po) de la lame, vous devez utiliser un pinceur de travail ou une autre fixation.

Pour un résultat optimal, utilisez le pinceur DW7082 conçu pour une utilisation avec votre scie. Il se peut qu'une bride de fixation d'un autre type soit livrée avec votre DW717. Pour vous procurer le DW7082, contactez votre revendeur local ou un centre de service DEWALT.

D'autres accessoires tels que pinces à ressort, serres à barre ou serre-joint en C peuvent être adaptées à certaines tailles et formes de matériaux. Prêtez attention lors de la sélection et de la pose de ces fixations. Prenez le temps d'effectuer un essai à blanc avant d'entamer la coupe. Les guides de gauche et de droite coulisent d'un côté à l'autre pour faciliter l'opération de pinçage.

INSTALLATION DE LA BRIDE

1. L'insérer dans le trou situé derrière le guide. La bride doit être face à l'arrière de la scie à onglets. La rainure logée dans la tige de la bride doit être bien insérée dans la base de la scie à onglets. Si la rainure est visible, cela signifie que la bride est mal fixée.
2. Tourner la bride de 180 degrés vers l'avant de la scie à onglets.

3. Desserrer la poignée pour monter ou descendre la bride, puis utiliser le bouton de réglage fin pour serrer fermement la pièce.

REMARQUE : Placer la bride du côté opposé à la base pour le biseautage. **TOUJOURS EFFECTUER DES MARCHES À SEC (SANS ALIMENTATION) AVANT DE RÉALISER VOS COUPES AFIN DE VÉRIFIER LA TRAJECTOIRE DE LA LAME. S'ASSURER QUE LA BRIDE N'OBSTRUE PAS LE MOUVEMENT DE LA SCIE OU DES DISPOSITIFS DE PROTECTION.**

⚠AVERTISSEMENT : Une pièce qui est encastrée, équilibrée et fixée avant d'être coupée peut être déséquilibrée après avoir été coupée. Une charge déséquilibrée peut faire incliner la scie ou toute chose à laquelle la scie est fixée comme une table ou un banc d'établi. Pour effectuer la coupe d'une pièce pouvant devenir déséquilibrée, bien soutenir la pièce et s'assurer que la scie est bien boulonnée à une surface stable.

⚠AVERTISSEMENT : Le pied de la bride doit être encastré au-dessus de la base de la scie chaque fois que la bride est utilisée. Toujours serrer la pièce à la base de la scie et non à une autre partie de la zone de travail. S'assurer que le pied de la bride n'est pas serré au bord de la base de la scie.

SOUTIEN DES PIÈCES LONGUES

⚠AVERTISSEMENT : Pour réduire le risque de blessures corporelles graves, éteindre l'outil et le débrancher avant de le déplacer, de changer d'accessoires ou de faire un réglage quelconque autre que ceux indiqués dans les directives sur le réglage par laser.

SOUTENEZ TOUJOURS LES PIÈCES LONGUES.

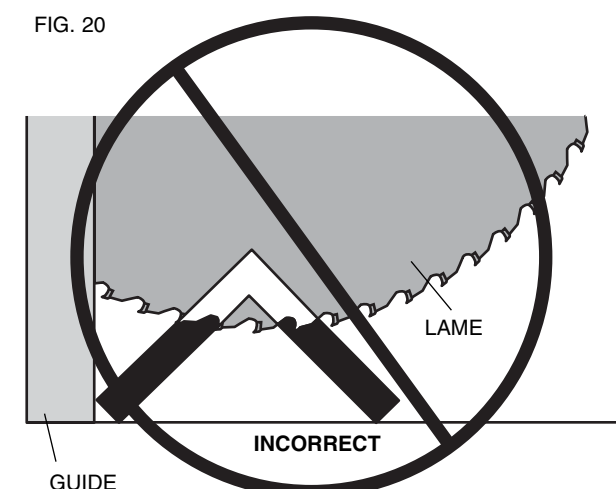
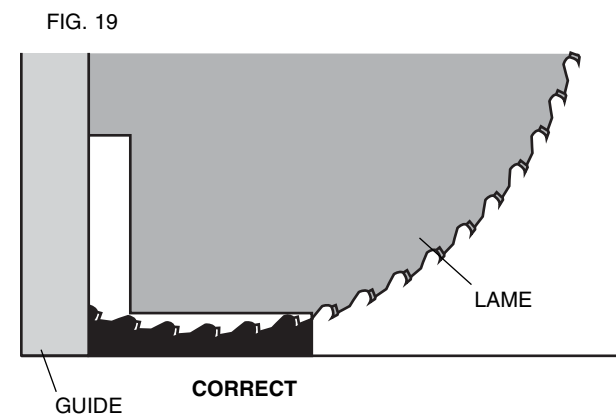
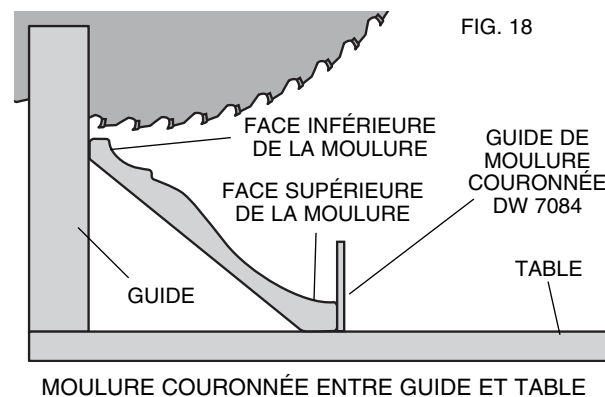
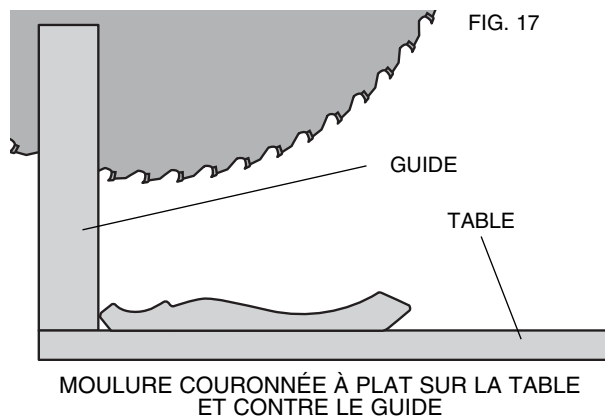
Ne jamais utiliser une personne pour remplacer une rallonge de table, comme soutien supplémentaire pour une pièce dont la longueur ou la largeur dépasse le banc de scie de base ou pour aider à alimenter, soutenir la pièce ou pour la tirer.

Pour optimiser le résultat, utiliser le support DW7080 de travail en extension afin d'augmenter la largeur de votre table à scier. Il est vendu séparément par votre concessionnaire local. Soutenez les longues pièces à l'aide de tout moyen commode, par exemple un chevalet de sciage ou un appareil similaire, afin d'empêcher les extrémités de tomber.

DÉCOUPE DE CADRES, DE COFFRAGES ET D'AUTRES OBJETS À QUATRE FACES

Pour mieux comprendre comment façonner les éléments mentionnés ici, nous vous suggérons de commencer par des projets simples en utilisant des chutes de bois jusqu'à ce que vous soyez bien familiarisé avec votre outil.

Votre scie est l'outil parfait pour réaliser des coins à l'onglet comme celui illustré à la figure 14. Le diagramme A de la figure 15 illustre un assemblage réalisé à l'aide du réglage



de biseau pour biseauter les arêtes des deux planches à 45 degrés chacune afin de produire un coin à 90 degrés. Pour réaliser cet assemblage, le bras d'onglet était bloqué à la position zéro et le réglage de biseau était bloqué à 45 degrés. Le morceau de bois était positionné avec le large côté plat contre la table et l'arête étroite contre le guide. Il aurait également été possible de découper à l'onglet à droite et à gauche en maintenant la surface large contre le guide.

DÉCOUPE DE MOULURES DE GARNISSAGE ET D'AUTRES CADRES

Le diagramme B de la figure 14 illustre un assemblage réalisé en réglant le bras d'onglet à 45 degrés pour couper à l'onglet les deux planches afin de former un coin à 90 degrés. Pour réaliser ce type d'assemblage, réglez

le biseau sur zéro et le bras d'onglet sur 45 degrés. Le morceau de bois était à nouveau positionné avec le large côté plat contre la table et l'arête étroite contre le guide.

Les deux diagrammes de la figure 15 correspondent à des objets à quatre côtés.

Lorsque le nombre de côtés change, les angles d'onglet et de biseau changent aussi. Le tableau ci-dessous indique les angles adéquats pour diverses formes.

(Le tableau suppose que tous les côtés sont de même longueur). Pour réaliser une forme qui n'apparaît pas dans le tableau, utilisez la formule suivante : 180 degrés divisé par le nombre de côté donne l'angle d'onglet (si le matériau est coupé verticalement) ou de biseau (s'il est coupé à plat).

- EXEMPLES -	
PAS DE CÔTÉ	ONGLET OU BISEAU D'ANGLE
4	45°
5	36°
6	30°
7	25.7°
8	22.5°
9	20°
10	18°

DÉCOUPE À ONGLET MIXTE

Une coupe à onglet mixte est réalisée en utilisant simultanément un angle d'onglet et un angle de biseau. C'est le type de coupe utilisé pour fabriquer des cadres ou des boîtes dont les côtés sont inclinés, comme illustré dans la figure 16.

REMARQUE : Si l'angle de coupe varie d'une coupe à l'autre, vérifiez que la poignée de fixation de biseau et la poignée de blocage d'onglet sont bien serrées. Ces poignées doivent être resserrées après chaque réglage d'onglet ou de biseau.

Le tableau de la Page 34 vous aidera à sélectionner les réglages d'onglet et de biseau adéquats pour des coupes à onglet mixte classiques. Pour utiliser le tableau, sélectionnez l'angle « A » souhaité (figure 16) pour votre projet et recherchez cet angle sur l'arc adéquat du tableau. Tracez un trait vertical à partir de ce point pour lire l'angle de biseau adéquat et un trait horizontal pour lire l'angle d'onglet adéquat.

Réglez votre scie sur les angles prescrits et effectuez quelques coupes d'essai. Entraînez-vous à assembler les pièces coupées jusqu'à maîtriser cette procédure.

Exemple : pour fabriquer une boîte à quatre côtés avec des angles extérieurs à 26 degrés (Angle A, figure 15), utilisez l'arc supérieur droit. Trouvez la valeur 26 ° sur l'échelle de l'arc. Suivez la ligne horizontale intersectante jusqu'à l'un des deux axes pour obtenir le réglage de l'angle d'onglet pour votre scie (42 °). Suivez de même la ligne verticale intersectante vers le bas ou vers le haut pour obtenir le réglage de l'angle de biseau pour la scie (18 °). Essayez toujours les coupes sur des chutes de bois afin de vérifier les réglages de la scie.

DÉCOUPE DE MOULURES D'EMBASE

EFFECTUEZ TOUJOURS UN ESSAI À BLANC SANS ALIMENTATION AVANT D'ENTAMER TOUTE COUPE.

Coupes droites à 90 degrés :

Placez le bois contre le guide et maintenez-le en place comme illustré à la figure 11. Mettez la scie en marche, laissez la lame atteindre son plein régime et abaissez doucement le bras à travers la coupe.

FIG. 21

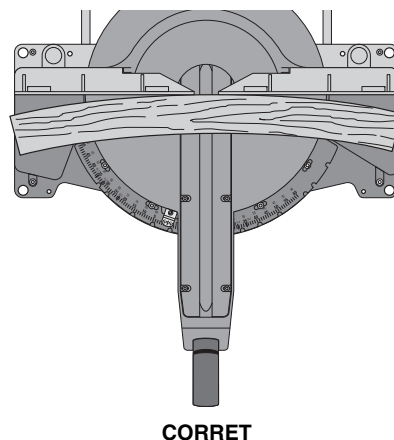


FIG. 22

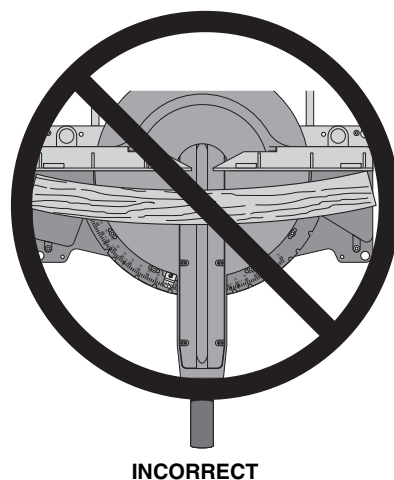
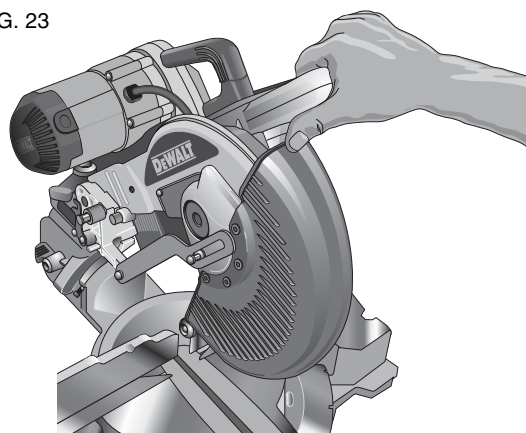


FIG. 23



DÉCOUPE DE MOULURES D'EMBASE JUSQU'À 121 MM (4,75 PO) DE HAUTEUR VERTICALEMENT CONTRE LE GUIDE

Placez le matériau comme illustré à la figure 11.

Toutes les coupes doivent être réalisées avec l'arrière de la moulure contre le guide et la base de la moulure contre la base

COIN INTÉRIEUR :

Côté gauche

1. Onglet gauche à 45 °
2. Conservez le côté gauche de la coupe

Côté droit

1. Onglet droit à 45 °
2. Conservez le côté droit de la coupe

COIN EXTÉRIEUR :

Côté gauche

1. Onglet droit à 45 °
2. Conservez le côté gauche de la coupe

Côté droit

1. Onglet gauche à 45 °
2. Conservez le côté droit de la coupe

Du matériel jusqu'à 159 mm (6,5 po) peut être coupé comme indiqué ci-dessus.

DÉCOUPE DE MOULURES COURONNÉES

Votre scie à onglet est mieux adaptée à la tâche de découpe de moulures couronnées qu'aucun autre outil. Afin de s'ajuster correctement, les moulures couronnées doivent être découpées à l'onglet avec une précision extrême.

Les deux surfaces plates d'un morceau de moulure couronnée donné sont à des angles dont la somme est exactement 90 degrés. La majorité, mais non la totalité, des moulures couronnées ont un angle arrière supérieur (la section qui s'adapte à plat contre le plafond) de 52 degrés et un angle arrière inférieur (la partie qui s'adapte à plat contre le mur) de 38 degrés.

Votre scie à onglet comporte des points de loquet d'onglet prédéfinis à 31,62 degrés à gauche et à droite pour découper des moulures couronnées à l'angle adéquat, et des cliquets de butée de biseau à 33,85 degrés à gauche et à droite. Une marque est également présente sur l'échelle de biseau à 33,85 degrés.

Le tableau suivante indique les paramètres appropriés pour la découpe de moulures couronnées. (Les paramètres d'onglet et de biseau sont très précis et ne sont pas facile à régler précisément sur votre scie). Comme les angles de la plupart de pièces ne sont pas exactement de 90 degrés, il vous faudra dans tous les cas ajuster vos réglages.

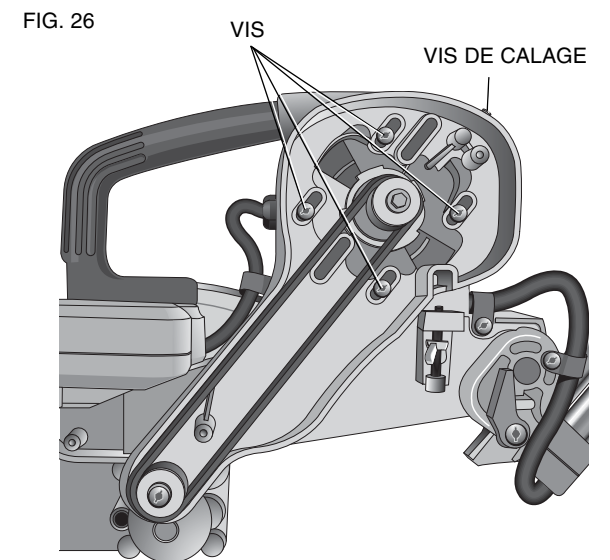
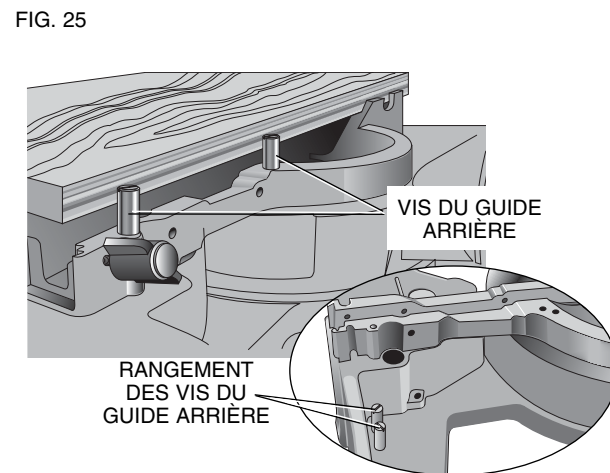
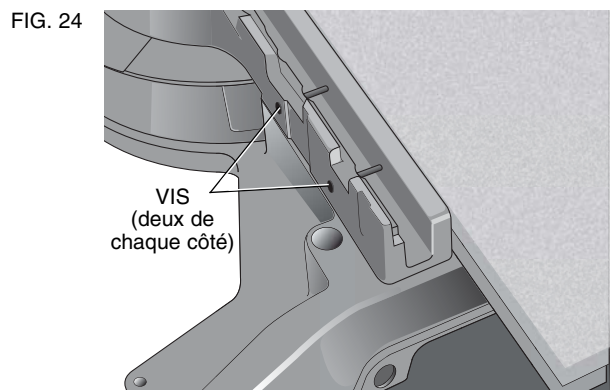
IL EST EXTRÊMEMENT IMPORTANT D'EFFECTUER DES TESTS PRÉLIMINAIRES AVEC DES CHUTES DE BOIS!
INSTRUCTION POUR LA DÉCOUPE DE MOULURES COURONNÉES À PLAT ET EN UTILISANT LES ONGLETS MIXTES

1. Moulure dont la large surface arrière est à plat sur la table à scier (figure 17).
2. Les réglages ci-dessous s'appliquent aux moulures couronnées standard (É-U) avec des angles de 52 ° et 38 °.

CONFIGURATION DE BISEAU	TYPE DE COUPE
Gauche à 33,85 °	CÔTÉ GAUCHE, COIN INTÉRIEUR : 1. Partie supérieure de la moulure contre le guide. 2. Table d'onglet définie à 31,62 °. 3. Conservez le côté gauche de la coupe.
	CÔTÉ DROIT, COIN INTÉRIEUR : 1. Partie supérieure de la moulure contre le guide. 2. Table d'onglet définie à 31,62 °. 3. Conservez le côté droit de la coupe.
Droite à 33,85 °	CÔTÉ GAUCHE, COIN EXTÉRIEUR : 1. Partie supérieure de la moulure contre le guide. 2. Table d'onglet définie à 31,62 °. 3. Conservez le côté gauche de la coupe.
	CÔTÉ DROIT, COIN EXTÉRIEUR : 1. Partie supérieure de la moulure contre le guide. 2. Table d'onglet définie à 31,62 °. 3. Conservez le côté droit de la coupe.

Lors du réglage d'onglet et de biseau pour tous les onglets mixtes, n'oubliez pas que :

Les angles présentés pour les moulures couronnées sont très précis et difficiles à régler de manière exacte. Puisqu'ils peuvent facilement se décaler légèrement et que très peu de pièces présentent des angles exactement droits, tous les réglages doivent être testés auparavant sur des chutes de moulures.



IL EST EXTRÊMEMENT IMPORTANT D'EFFECTUER DES TESTS PRÉLIMINAIRES SUR DES CHUTES!

MÉTHODE ALTERNATIVE DE DÉCOUPE DE MOULURES COURONNÉES.

Placez la moulure sur la table en laissant un angle entre le guide et la table à scier, comme illustré à la figure 18. L'utilisation de l'accessoire de guide pour moulures couronnées (DW7084) est fortement recommandée en raison de son degré de précision et de commodité. Cet accessoire est disponible auprès de votre concessionnaire local.

Avec cette méthode de découpe de moulure couronnée, aucune coupe biseautée n'est requise. Des modifications minimales peuvent être apportées à l'angle d'onglet sans affecter l'angle de biseau. Ainsi, en cas de coins autres qu'à 90 degrés, il est possible d'ajuster rapidement et facilement la scie en conséquence. Utilisez l'accessoire de guide pour moulures couronnées afin de conserver l'angle que formera la moulure avec le mur.

INSTRUCTIONS POUR LA DÉCOUPE DE MOULURES COURONNÉES MISES EN ANGLE ENTRE LE GUIDE ET LA BASE DE LA SCIE POUR TOUTES LES COUPES :

1. Faites pivoter la moulure de sorte que sa partie inférieure (celle qui sera adossée au mur lors de l'installation) se trouve contre le guide et que sa partie supérieure repose sur la base de la scie, comme illustré à la figure 18.
2. Les parties plates formant un angle à l'arrière de la moulure doivent bien reposer sur le guide et la base de la scie.

COIN INTÉRIEUR :

Côté gauche

1. Onglet droit à 45 °
2. Conservez le côté droit de la coupe

Côté droit

1. Onglet gauche à 45 °
2. Conservez le côté gauche de la coupe

COIN EXTÉRIEUR :

Côté gauche

1. Onglet gauche à 45 °
2. Conservez le côté droit de la coupe

Côté droit

1. Onglet droit à 45 °
2. Conservez le côté gauche de la coupe

Découpes spéciales

N'EFFECTUEZ JAMAIS AUCUNE DÉCOUPE SI LE MATÉRIAU N'EST PAS MAINTENU EN PLACE SUR LA TABLE ET CONTRE LE GUIDE.

DÉCOUPE D'ALUMINIUM

UTILISEZ TOUJOURS DES LAMES DE SCIE APPROPRIÉES SPÉCIALEMENT CONÇUES POUR LA DÉCOUPE D'ALUMINIUM. Elles sont disponibles auprès de votre revendeur DEWALT local ou d'un centre de service DEWALT. À cause de leur taille, de leur forme ou de l'aspect de leur surface, certaines pièces peuvent nécessiter l'utilisation de pinces ou de fixations pour éviter tout mouvement durant la découpe. Positionnez le matériel de telle sorte que vous couperez la section transversale la plus fine, tel qu'illustré à la figure 19. La figure 20 illustre la mauvaise manière de couper ces extrusions. Utilisez un lubrifiant de coupe en cire en bâton lors de la découpe d'aluminium. Appliquez directement le lubrifiant de coupe en cire en bâton sur la lame de scie avant d'entamer l'opération de coupe. N'appliquez jamais de cire en bâton sur une lame en mouvement.

La cire est disponible auprès de la majorité des quincailleries et des magasins de fourniture en minoteries; elle apporte une lubrification adaptée et empêche les copeaux d'adhérer à la lame.

Veillez à bien fixer la pièce. Référez-vous à la Page 20 pour connaître les lames de scie appropriées.

MATÉRIAU ARQUÉ

Lors de la découpe de matériau arqué, placez toujours ce dernier comme illustré à la figure 21 et jamais comme illustré à la figure 22. Si vous placez incorrectement le matériau, il pincera la lame un peu avant la fin de la coupe.

DÉCOUPE DE TUYAU EN PLASTIQUE OU D'AUTRE MATÉRIAU ROND

Il est facile de couper des tuyaux en plastique avec votre scie. Il faut les couper exactement de la même manière que du bois et les pincer ou **LES MAINTENIR FERMEMENT CONTRE LE GUIDE POUR LES EMPÊCHER DE ROULER**. Cela est extrêmement important lors de découpes en angle.

DÉCOUPE DE GRANDS MATÉRIAUX

De temps à autre, vous serez confronté à une pièce de bois légèrement trop grande pour passer sous le pare-main de la lame. Si cela se produit, placez simplement votre pouce droit sur la partie supérieure du pare-main, puis remontez le pare-main juste assez pour libérer la pièce comme le montre la figure 23. Évitez de

procéder ainsi autant que possible, mais s'il le faut, la scie fonctionnera bien et réalisera une plus grosse coupe. **NE JAMAIS ATTACHER, COLLER NI FIXER LE PARE-MAIN DE MANIÈRE À LE MAINTENIR OUVERT DURANT L'UTILISATION DE CETTE SCIE.**

CONFIGURATION SPÉCIALE POUR LES COUPES TRANSVERSALES LARGES

Votre scie peut couper des pièces très larges (jusqu'à 391 mm (15,4 po) en utilisant une configuration spéciale. Pour ce faire, suivez la procédure suivante :

1. Retirez les guides coulissants gauche et droite de la scie et mettez-les à l'écart. Pour les retirer, dévisser de plusieurs tours les poignées de guide et faites glisser chaque guide vers l'extérieur. Réglez et bloquez la commande d'onglet de telle sorte qu'elle indique un ongle à 0 degré.
2. Retirer les vis du guide arrière de la section arrière droite et les réinsérer dans les trous du côté droit du guide (fig. 25).

AVERTISSEMENT : ne pas couper de pièces avec la configuration spéciale sans tout d'abord insérer correctement les vis du guide arrière. Le cas contraire, la pièce ne sera pas bien appuyée et pourrait provoquer une perte de maîtrise et des blessures potentielles.

3. Façonnez une plate-forme à l'aide d'une pièce de 38 mm (1,5 po) d'aggloméré épais ou d'un morceau de bois plat similaire de 38 mm d'épaisseur aux dimensions suivantes : 368 x 600 mm (14,5 x 26 po). La plate-forme doit être plane afin que le matériau ne puisse pas se déplacer durant la découpe et causer des blessures.
4. Montez la plate-forme de 368 x 600 mm sur la scie en passant 4 vis à bois de 75 mm (3 po) de longueur au travers des trous du guide de la base (fig. 24). Il faut utiliser quatre vis pour fixer le matériau de manière adéquate. Lors de l'utilisation de cette configuration spéciale, la plate-forme sera coupée en deux morceaux. Assurez-vous que les vis sont bien serrées pour éviter que le matériau ne se desserre et puisse causer des blessures. Assurez-vous que la plate-forme est fermement à plat sur la table, contre le guide et centrée entre les bords gauche et droit.

AVERTISSEMENT : Assurez-vous que la scie est fermement assemblée à une surface plane et stable. Si vous négligez de le faire, la scie pourrait devenir instable et tomber, en causant des blessures corporelles.

5. Placer la pièce à couper sur la plate-forme fixée sur la table. S'assurer que la pièce repose fermement contre les vis du guide arrière (fig. 25).
6. Fixez le matériau avant de le couper. Coupez lentement à travers le matériau en utilisant un mouvement extérieur-bas-et-retour. Négliger de fixer la pièce de manière sûre ou de couper lentement pourrait desserrer le matériau et causer des blessures.

Après que vous avez effectué plusieurs coupes à des angles d'onglet autres que 0°, il se peut que la plate-forme s'affaiblisse et ne soutienne plus correctement l'ouvrage. Installez alors sur la scie une nouvelle plate-forme inutilisée après avoir pré-réglé l'angle d'onglet souhaité.

ATTENTION : L'utilisation continue d'une plate-forme contenant plusieurs traits de scie peut entraîner une perte de maîtrise du matériel et des blessures possibles.

Dépose et remplacement de la courroie

La courroie est conçue pour durer pendant toute la vie de l'outil. Une mauvaise utilisation de l'outil pourrait cependant entraîner une défaillance de courroie.

Si la lame ne tourne pas alors que le moteur fonctionne, la courroie est en panne. Pour inspecter ou remplacer la courroie, retirez les vis du couvercle de la courroie. Retirez le couvercle de la courroie. Inspectez les nervures de la courroie en recherchant des signes d'usure ou de panne. Vérifiez la tension de la courroie en la serrant comme illustré à la figure 26. Les moitiés de la courroie devraient presque se toucher si vous les serrez fermement entre le pouce et l'index. Pour régler la tension, desserrez, mais sans les retirer, les quatre vis cruciformes indiquées. Faites ensuite pivoter la vis de calage située au sommet du moulage de la plaque du moteur jusqu'à atteindre la tension adéquate. Révissez bien les quatre vis et remplacez le couvercle de la courroie.

REMARQUE : Un serrage trop important de la courroie pourrait entraîner une panne de moteur prématurée.

Entretien

N'employez pas les lubrifiants ou les décapants (en particulier jet ou aérosol) à proximité de la garde de plastique. La matière de polycarbonate employée dans la garde est sujette à l'attaque par certains produits chimiques.

1. Tous les roulements sont scellés. Ils sont lubrifiés à vie et n'ont besoin d'aucun entretien supplémentaire.
2. Retirez régulièrement toute la poussière et tous les copeaux de bois situés autour ET SOUS la base et la table rotative. Même si des emplacements sont prévus pour permettre l'évacuation de débris, de la poussière s'accumule.
3. Les brosses sont conçues pour durer plusieurs années. Si elles ont besoin d'être remplacées, suivez les instructions de la Page 26 ou retournez l'outil au centre de service le plus proche pour réparation. Une liste des centres de service est livrée avec l'outil.

Information sur les réparations ou l'entretien

Avoir en main les informations suivantes pour tous les appels concernant une réparation ou un entretien :

Numéro du modèle _____

Numéro de série _____

Date et lieu de l'achat _____

Réparations

Pour assurer la SÉCURITÉ et la FIABILITÉ du produit, les réparations, l'entretien et les réglages doivent être réalisés

par un centre de réparation en usine de DEWALT, un centre de réparation agréé DEWALT ou par du personnel de réparation professionnel. Toujours utiliser des pièces de rechange identiques.

Garantie limitée trois ans

DEWALT réparera gratuitement tous les problèmes dus à des défauts de matériau ou de fabrication pendant trois ans à compter de la date d'achat. Cette garantie ne couvre pas des défaillances de pièce dues à une usure normale ou à une mauvaise utilisation de l'outil. Pour plus de détails relatifs à la couverture de la garantie et aux réparations sous garantie, visiter le site Web www.dewalt.com ou composer le 1-800-4-DEWALT (1-800-433-9258). Cette garantie ne s'applique pas aux accessoires ni aux dommages causés par des réparations réalisées ou tentées par des tiers. Cette garantie vous accorde des droits légaux spécifiques et il est possible que vous ayez d'autres droits qui varient d'un État ou d'une province à l'autre.

En plus de la garantie, les outils DEWALT sont couverts par notre :

SERVICE D'ENTRETIEN GRATUIT DE 1 AN

DEWALT entretiendra l'outil et remplacera les pièces usées par une utilisation normale et ce, gratuitement, à tout instant pendant la première année à compter de la date d'achat.

GARANTIE DE REMBOURSEMENT DE 90 JOURS

Si vous n'êtes pas entièrement satisfait des performances de votre outil électrique, laser ou de votre marteau-cloueur DEWALT pour quelque raison que ce soit, vous pouvez le retourner accompagné d'un reçu dans les 90 jours suivant la date d'achat et nous vous rembourserons entièrement - sans poser de questions.

AMÉRIQUE LATINE : cette garantie ne s'applique pas aux produits vendus en Amérique latine. Pour ceux-ci, veuillez consulter les informations relatives à la garantie spécifique présente dans l'emballage, appeler l'entreprise locale ou consulter le site Web pour les informations relatives à cette garantie.

REMPLACEMENT GRATUIT DES ÉTIQUETTES D'AVERTISSEMENT : si les étiquettes d'avertissement deviennent illisibles ou sont manquantes, composer le 1-800-4-DEWALT pour en obtenir le remplacement gratuit.

Avis de brevet

Fabriqué sous un ou plusieurs des brevets suivants des États-Unis.

6,823,765	6,101,914	5,907,987	5,375,495
6,810,780	6,035,754	5,862,734	5,285,708
6,520,059,	6,032,563	5,582,089	5,199,343

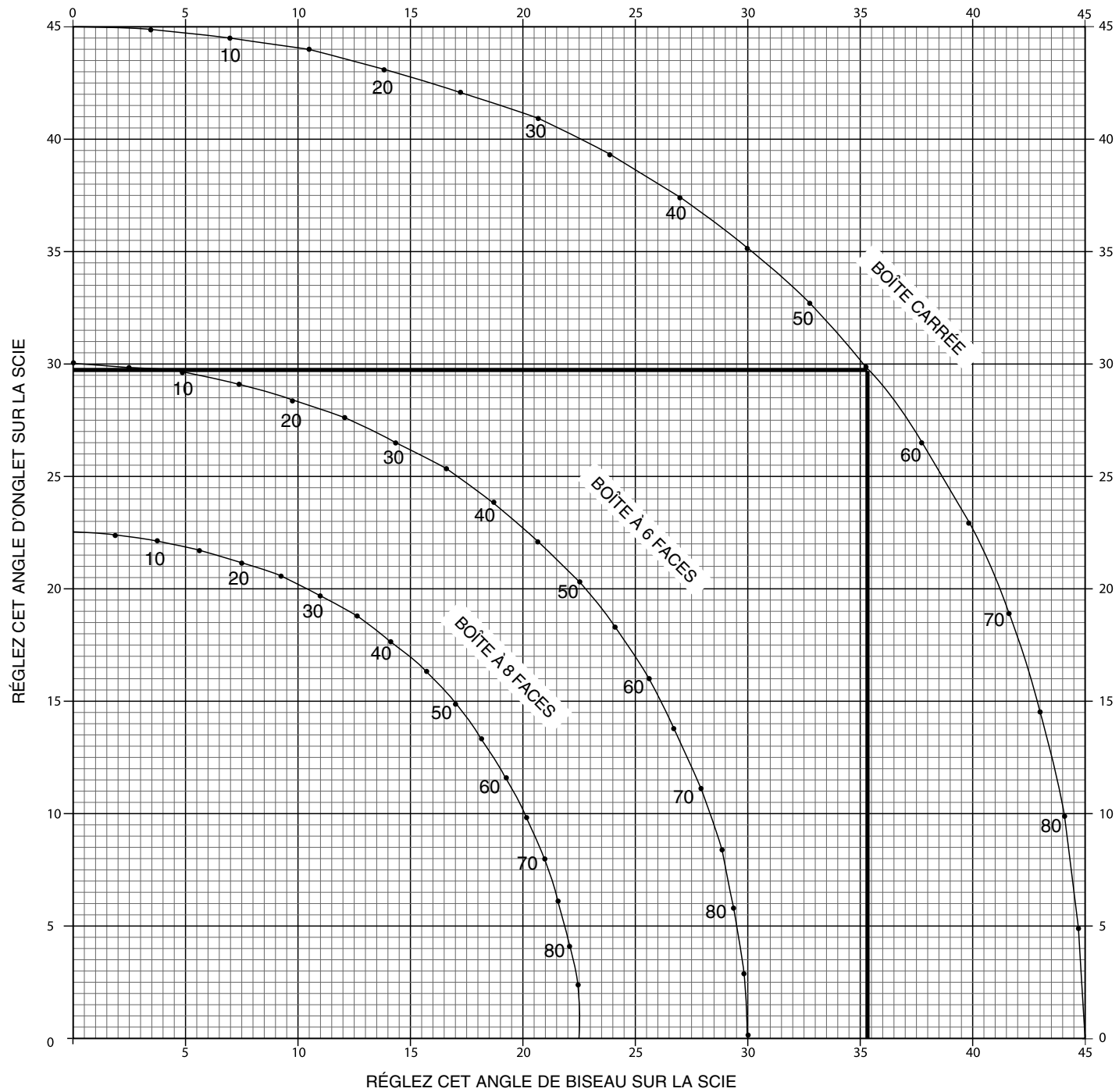
D'autres brevets peuvent être en instance.

Guide de dépannage

VEILLEZ À SUIVRE LES RÈGLES ET CONSIGNES DE SÉCURITÉ

PROBLÈME!	QUEL EST LE PROBLÈME?	QUE FAIRE...
LA SCIE NE DÉMARRE PAS	1. Scie non branchée	1. Branchez la scie.
	2. Fusible grillé ou disjoncteur déclenché	2. Remplacez le fusible ou réinitialisez le disjoncteur.
	3. Cordon endommagé	3. Faites remplacer le cordon par un centre de service agréé.
	4. Brosses usées	4. Faites remplacer les brosses par un centre de service agréé ou remplacez-les vous-même comme indiqué à la Page 26.
LES DÉCOUPES EFFECTUÉES PAR LA SCIE NE SONT PAS SATISFAISANTES	1. Lame émoussée	1. Remplacez la lame. Voir Page 23.
	2. Lame montée à l'envers	2. Renversez la lame. Voir Page 23.
	3. Gomme ou résine sur la lame	3. Retirez la lame et nettoyez-la à l'aide de térébenthine et de laine d'acier grossière ou de produit domestique de nettoyage de four.
	4. Lame inadéquate pour le travail effectué	4. Changez de type de lame. Voir Page 22.
LA LAME N'ATTEINT PAS SON PLEIN RÉGIME	1. La rallonge est trop légère ou trop longue	1. Remplacez-la par une rallonge de taille adéquate. Voir Page 19.
	2. Courant domestique trop bas	2. Contactez votre fournisseur d'électricité.
LASCIE VIBRE DÉMESURÉMENT	1. La scie n'est pas correctement fixée sur le tréteau ou l'établi	1. Vissez bien tout le matériel d'assemblage. Voir Page 23.
	2. Le tréteau ou l'établi est sur un sol irrégulier	2. Repositionnez-le sur une surface plane. Voir Page 23.
	3. Lame de scie endommagée	3. Remplacez la lame. Voir Page 23.
LASCIE NE COUPE PAS BIEN LES ONGLETS	1. L'échelle d'onglet n'est pas correctement réglée	1. Vérifiez et ajustez. Voir Page 24.
	2. La lame n'est pas d'équerre par rapport au guide	2. Vérifiez et ajustez. Voir Page 24.
	3. La lame n'est pas perpendiculaire à la table	2. Vérifiez et ajustez le guide. Voir Page 24.
	4. La pièce à découper se déplace	4. Fixez-la au guide ou collez du papier abrasif de calibre 120 sur le guide à l'aide de colle de caoutchouc
LE MATÉRIAU PINCE LA LAME	1. Découpe de matériau arqué	1. Positionnez le matériau arqué comme indiqué à la Page 30.

TABLEAU 1 COUPE À ONGLET MIXTE (Positionnez le morceau de bois avec le large côté plat contre la table et l'arête étroite contre le guide.)



ÍNDICE DE TEMAS

INSTRUCCIONES SOBRE DOBLE AISLAMIENTO / ENCHUFE POLARIZADO	36
INSTRUCCIONES DE SEGURIDAD PARA TODAS LAS HERRAMIENTAS.....	36
NORMAS DE SEGURIDAD ADICIONALES	37
CONEXIÓN ELÉCTRICA	39
ACCESORIOS	39
DESCRIPCIONES DE LAS HOJAS.....	40
CÓMO DESEMBALAR LA SIERRA	40
ESPECIFICACIONES.....	40
FAMILIARIZARSE CON LA HERRAMIENTA.....	40
MONTAJE EN EL BANCO DE TRABAJO.....	40
CAMBIO O INSTALACIÓN DE UNA HOJA DE SIERRA NUEVA.....	41
RETIRO DE LA HOJA.....	41
INSTALACIÓN DE LA HOJA	42
TRANSPORTE DE LA SIERRA.	42
AJUSTES	42
REGULACIÓN DE LA ESCALA DE INGLETE	42
REGULACIÓN DEL INDICADOR DE INGLETE.....	43
BISEL A ESCUADRA CON LA MESA	43
INDICADOR DE BISEL.....	43
TOPE DE BISEL	43
REGULACIÓN DEL REBORDE	43
FRENO ELÉCTRICO AUTOMÁTICO.....	43
ACCIONAMIENTO Y VISIBILIDAD DEL PROTECTOR.....	43
REGULACIÓN DE LA PLACA DE CORTE	43
REGULACIÓN DE LA GUÍA DEL RIEL	43
REGULACIÓN DEL BLOQUEO DE INGLETE.....	43
CEPILLOS.....	44
CONTROLES.....	44
OPERACIÓN	44
INTERRUPTOR.....	44
CORTES CON LA SIERRA	45
CORTES TRANSVERSALES	45
CORTES BISELADOS.....	45
CALIDAD DEL CORTE.....	46
POSICIÓN DEL CUERPO Y LAS MANOS	46
SUJECIÓN DE LA PIEZA DE TRABAJO	46
SOPORTE DE PIEZAS LARGAS	46
CORTE DE MARCOS PARA FOTOS, CAJAS PARA EXHIBIR OBJETOS Y OTROS ELEMENTOS DE CUATRO LADOS	47
CORTE DE MOLDURAS DE TERMINACIÓN Y OTROS MARCOS	47
CORTE DE INGLETES COMPUESTOS.....	47
CORTE DE MOLDURAS DE BASE	48
CORTE DE MOLDURAS DE CORONA.....	49
CORTES ESPECIALES	49
RERETIRO Y REEMPLAZO DE LA CORREA.....	50
MANTENIMIENTO.....	50
GARANTÍA.....	50
GUÍA PARA SOLUCIONAR PROBLEMAS	52
TABLA 1: CORTE DE INGLETE COMPUESTO.....	53

Definiciones: Normas de seguridad

Las siguientes definiciones describen el nivel de gravedad de cada palabra de señal. Lea el manual y preste atención a estos símbolos.

⚠PELIGRO: indica una situación de peligro inminente que, si no se evita, provocará la muerte o lesiones graves.

⚠ADVERTENCIA: Indica una situación de peligro potencial que, si no se evita, podría provocar la muerte o lesiones graves.

⚠ATENCIÓN: Indica una situación de peligro potencial que, si no se evita, puede provocar lesiones leves o moderadas.

⚠ATENCIÓN: Sin el símbolo de alerta de seguridad, indica una situación de peligro potencial que, si no se evita, puede provocar daños a la propiedad.

Instrucciones de seguridad importantes

⚠ADVERTENCIA: Lea todas las instrucciones antes de hacer funcionar el producto. El incumplimiento de todas las instrucciones enumeradas a continuación puede provocar una descarga eléctrica, un incendio o lesiones graves.

LEA TODAS LAS INSTRUCCIONES

Doble aislamiento

Las herramientas de doble aislamiento están fabricadas en su totalidad con dos capas separadas o con una capa de doble espesor de aislamiento eléctrico, que protege al usuario del sistema eléctrico de la herramienta. Las herramientas fabricadas con este sistema de aislamiento no requieren conexión a tierra. En consecuencia, esta herramienta está equipada con un enchufe de dos conectores que le permite utilizar cables prolongadores sin tener que preocuparse por mantener la conexión a tierra.

NOTA: El doble aislamiento no sustituye las precauciones normales de seguridad que se deben tomar al utilizar esta herramienta. El sistema de aislamiento es una medida de protección adicional contra cualquier lesión resultante de una posible falla eléctrica del sistema de aislamiento interno de la herramienta.

⚠ATENCIÓN: AL REPARAR, SÓLO UTILICE PIEZAS DE REPUESTO IDÉNTICAS A LAS ORIGINALES. Repare o reemplace los cables dañados.

Enchufes polarizados

Los enchufes polarizados (una pata es más ancha que la otra) se utilizan en los equipos para reducir el riesgo de descarga eléctrica. Este enchufe se ajusta al tomacorriente polarizado de una sola manera. Si el enchufe no se ajusta totalmente al tomacorriente, invierta el enchufe. Si aun así no se ajusta bien, recurra a un electricista calificado para que instale un tomacorriente adecuado. No cambie el enchufe de ninguna manera.

Instrucciones de seguridad para todas las herramientas

⚠ADVERTENCIA: Para reducir el riesgo de lesiones oculares, SIEMPRE utilice protección para los ojos cuando opere la sierra ingletadora.

Esta sierra ingletadora es compatible con los suplementos láser y de luz de trabajo DEWALT.

- **MANTENGA EL PROTECTOR INSTALADO ADECUADAMENTE** y en funcionamiento.
- **RETIRE LAS LLAVES DE AJUSTE Y LLAVES DE TUERCAS.** Acostúmbrese a verificar que se hayan retirado del eje las llaves de ajuste y las llaves de tuercas antes de encender la herramienta. Las herramientas, las piezas de descarte y otro tipo de desechos pueden salir despedidos a alta velocidad y provocar lesiones.
- **MANTENGA LIMPIA EL ÁREA DE TRABAJO.** Los espacios y los bancos de trabajo abarrotados propician accidentes.

- **NO UTILICE LA MÁQUINA EN LUGARES PELIGROSOS.** El uso de herramientas eléctricas en lugares húmedos o mojados o bajo la lluvia puede provocar descargas eléctricas o electrocución. Mantenga su área de trabajo bien iluminada para evitar tropezones o poner en peligro brazos, manos y dedos.
 - **MANTENGA A LOS NIÑOS ALEJADOS.** Los visitantes deben mantenerse a una distancia segura del área de trabajo. Su taller es un lugar potencialmente peligroso.
 - **PROCURE QUE SU TALLER SEA A PRUEBA DE NIÑOS;** coloque candados e interruptores maestros, o retire las llaves que accionan las herramientas. Si un niño o un visitante enciende una máquina sin autorización, podría producirle lesiones.
 - **NO FORZE LA HERRAMIENTA.** Funcionará mejor y será más segura si la utiliza a la velocidad para la que fue diseñada.
 - **UTILICE LA HERRAMIENTA ADECUADA.** No force la herramienta o los accesorios para realizar tareas para las que no fueron diseñados. Usar la herramienta o el accesorio incorrecto puede causar lesiones personales.
 - **UTILICE INDUMENTARIA ADECUADA.** No utilice ropa holgada, guantes, corbatas, anillos, pulseras u otras alhajas que puedan quedar atrapadas entre las piezas móviles. Se recomienda el uso de calzado antideslizante. Recójase y cubra el cabello largo. Los orificios de ventilación pueden cubrir piezas en movimiento, por lo que también se deben evitar.
 - **SIEMPRE USE LENTES DE SEGURIDAD.** Los anteojos de uso diario NO son lentes de seguridad. Utilice también máscaras faciales o para polvo si los cortes producen polvillo.
- UTILICE SIEMPRE EQUIPOS DE SEGURIDAD CERTIFICADOS:**
- Protección para los ojos según la norma ANSI Z87.1 (CAN/CSA Z94.3)
 - Protección auditiva según la norma ANSI S12.6 (S3.19)
 - Protección respiratoria según las normas NIOSH/OSHA/MSHA
- **ASEGURE LA PIEZA DE TRABAJO.** Utilice abrazaderas o un tornillo de banco para sujetar la pieza de trabajo a la mesa y contra la guía, o si su mano corre peligro al estar cerca de la hoja (a menos de 152 mm [6 pulg.]). Es más seguro que utilizar su mano y puede entonces utilizar ambas manos para operar la herramienta.
 - **NO SE ESTIRE.** Conserve el equilibrio y párese adecuadamente en todo momento. La pérdida del equilibrio podría provocar una lesión personal.
 - **CONSERVE LAS HERRAMIENTAS ADECUADAMENTE.** Mantenga las herramientas afiladas y limpias para obtener el mejor y más seguro rendimiento. Siga las instrucciones para lubricar y cambiar los accesorios. Las herramientas y las máquinas que carecen de un mantenimiento adecuado pueden dañar aún más la herramienta o máquina o causar lesiones.
 - **APAGUE LA MÁQUINA Y DESCONÉCTELA DE LA FUENTE DE ALIMENTACIÓN** antes de instalar o quitar los accesorios, antes de ajustar o cambiar las configuraciones, cuando haga reparaciones o cambie la máquina de lugar. Un arranque accidental podría causar lesiones. No toque las patas de metal del enchufe al enchufar o desenchufar el cable.
 - **REDUZCA EL RIESGO DE ENCENDIDO ACCIDENTAL.** Asegúrese de que el interruptor esté en la posición "OFF" (de apagado) antes de enchufar el cable de alimentación.
 - **UTILICE EL CABLE PROLONGADOR APROPIADO.** Asegúrese de que el cable prolongador esté en buenas condiciones. Si su herramienta está equipada con un juego de cables, utilice solamente cables prolongadores de 3 conductores que tengan enchufes a tierra de 3 patas y tomacorrientes tripolares que se adapten al enchufe de la herramienta. Cuando utilice un cable prolongador, cerciórese de que tenga la capacidad para conducir la corriente que su producto exige. Un cable de menor capacidad provocará una disminución en el voltaje de la línea, lo cual producirá una pérdida de potencia y sobrecalentamiento. La siguiente tabla muestra la medida correcta que debe utilizar según la longitud del cable y la capacidad nominal en amperios indicada en la placa. En caso de duda, utilice el calibre inmediatamente superior. Cuanto menor es el número de calibre, más grueso es el cable.

Voltios	Calibre mínimo para juegos de cables			
	Largo total del cable en metros (pies)			
120 V	0-7,6	7,9-15,3	15,6-30,5	30,8-45,8
	(0-25)	(26-50)	(51-100)	(101-150)
240 V	0-15,3	15,6-30,5	30,8-61	61,3-91,5
	(0-50)	(51-100)	(101-200)	(201-300)

Capacidad nominal en amperios		AWG			
Desde	Hasta:	18	16	14	12
0 -	6	18	16	16	14
6 -	10	18	16	14	12
10 -	12	16	16	14	12
12 -	16	14	12	No recomendado	

- **VERIFIQUE QUE NO HAYA PIEZAS DAÑADAS.** Antes de volver a utilizar la herramienta, se deben controlar cuidadosamente las guardas o cualquier otra pieza dañada para asegurar el funcionamiento y el rendimiento apropiados de la herramienta en la aplicación deseada. Verifique la unidad para comprobar la alineación de las piezas móviles, si hay piezas dañadas, bloqueos o cualquier otra situación que pueda afectar el funcionamiento de la herramienta. Las guardas u otras piezas dañadas deben ser correctamente reparados o reemplazados. No utilice la herramienta si no puede encenderla o apagarla con el interruptor.
- **UTILICE ACCESORIOS RECOMENDADOS.** Utilice sólo accesorios recomendados por el fabricante para el modelo que posee. Los accesorios que pueden ser aptos para una herramienta, pueden convertirse en un factor de riesgo cuando se utilizan en otra herramienta. Consulte el manual de instrucciones para obtener información acerca de los accesorios recomendados. La utilización de accesorios inadecuados puede ocasionar lesiones personales.
- **NUNCA SE PARE SOBRE LA HERRAMIENTA.** Si la herramienta se cae o alguien toca accidentalmente el elemento cortante, podrían producirse lesiones graves.
- **NUNCA DEJE LA HERRAMIENTA EN FUNCIONAMIENTO Y SIN ATENCIÓN. DESCONECTE LA ENERGÍA.** No suelte la herramienta hasta que no se haya detenido por completo. Puede causar lesiones graves.
- **NO OPERE HERRAMIENTAS ELÉCTRICAS CERCA DE LÍQUIDOS INFLAMABLES O EN ATMÓSFERAS GASEOSAS O EXPLOSIVAS.** Los motores de estas herramientas originan chispas que pueden encender los vapores.
- **MANTÉNGASE ALERTA, PONGA ATENCIÓN EN LO QUE ESTÁ HACIENDO Y USE EL SENTIDO COMÚN. NO UTILICE LA MÁQUINA SI ESTÁ CANSADO O BAJO EL EFECTO DE DROGAS O ALCOHOL.** Un momento de descuido al operar una herramienta eléctrica puede provocar lesiones.

Normas de seguridad adicionales para las sierras ingletadoras

⚠️ ADVERTENCIA: No ignore las reglas de seguridad por estar familiarizado con la herramienta (debido al uso frecuente de su sierra). Recuerde siempre que un descuido de una fracción de segundo es suficiente para causar lesiones graves.

- **NO OPERE ESTA MÁQUINA** hasta que no esté armada e instalada completamente, según las instrucciones. Una máquina montada de manera incorrecta puede provocar lesiones graves.
- **SOLICITE EL ASESORAMIENTO** de su supervisor, su instructor o alguna persona calificada si no está familiarizado con el funcionamiento de esta máquina. El conocimiento garantiza la seguridad.
- **ESTABILIDAD.** Cerciórese de que la sierra para cortar ingletes esté sujeta a una superficie de apoyo y que no se deslice o mueva durante el uso. Si se instala el juego de movilidad, levante la(s) rueda(s) móvil(es) para que la sierra esté en su posición fija.

- **RESPETE TODOS LOS CÓDIGOS DE CABLEADO** y las conexiones eléctricas recomendadas para prevenir los riesgos de descargas eléctricas o electrocución. Proteja la línea de suministro eléctrico con al menos un disyuntor de 15 amperios o un fusible de acción retardada de 15 amperios.
- **ASEGÚRESE DE QUE LA** hoja gire en la dirección correcta. Los dientes de la hoja deben apuntar en la dirección de giro como lo indica la sierra.
- **AJUSTE TODOS LOS MANGOS DE FIJACIÓN,** perillas y palancas antes de operar la herramienta. Si hay abrazaderas flojas, las piezas o la pieza de trabajo pueden salir disparadas a alta velocidad.
- **ASEGÚRESE DE QUE** todas las hojas y abrazaderas de las hojas estén limpias, que los lados embutidos de las abrazaderas de las hojas estén contra la hoja y que el tornillo del mandril esté bien ajustado. Si la hoja está floja o no está bien ajustada, puede dañar la sierra y provocar lesiones personales.
- **SIEMPRE UTILICE UNA HOJA AFILADA.** Verifique que la hoja se mueva correctamente y sin vibrar. Una hoja sin filo o con vibración puede dañar la máquina o provocar lesiones graves.
- **NO OPERE CON NINGÚN VOLTAJE DIFERENTE DE AQUEL PARA EL QUE FUE DISEÑADA** la sierra. Se pueden producir sobrecalentamiento, daños a la herramienta y lesiones personales.
- **NO TRABE EL VENTILADOR CON OBJETOS** para detener el eje del motor. La herramienta puede resultar dañada y se pueden producir posibles lesiones personales.
- **NO** force la acción de corte. La parada total o parcial del motor puede provocar daños a la máquina o la hoja, además de lesiones graves.
- **HAGA FUNCIONAR EL MOTOR A TODA VELOCIDAD** antes de comenzar a cortar. Si comienza a cortar demasiado pronto, puede dañar la máquina o la hoja, además de provocar lesiones graves.
- **NUNCA CORTE METALES FERROSOS** (que contengan hierro o acero) o mampostería. Estos materiales pueden hacer saltar las puntas de carburo de la hoja a gran velocidad y causar lesiones graves.
- **NO UTILICE DISCOS ABRASIVOS.** El calor en exceso y las partículas abrasivas que estos discos generan pueden dañar la sierra y producir lesiones personales.
- **NUNCA** se ubique de modo que alguna parte del cuerpo quede en la misma línea que el trayecto de la hoja de la sierra. Se producirán lesiones graves.
- **NUNCA** aplique lubricante a una hoja en funcionamiento. Al aplicar el lubricante, la mano podría entrar en contacto con la hoja y se pueden producir lesiones graves.
- **NO** coloque las manos en el área de la hoja mientras la sierra esté conectada a la fuente de alimentación. El accionamiento involuntario de la hoja puede provocar lesiones graves.
- **NO REALICE OPERACIONES SIN UTILIZAR LAS MANOS** (cuando la pieza de trabajo no esté firmemente sujeta contra la guía y la mesa). Sostenga el trabajo firmemente contra la guía y la mesa. Las operaciones a pulso en una sierra ingletadora podrían hacer que la pieza de trabajo salga despedida a gran velocidad y provocar lesiones graves.
- **NUNCA SE ESTIRE ALREDEDOR** o por detrás de la hoja de la sierra. Una hoja puede provocar lesiones graves.
- **NO** intente alcanzar objetos debajo de la sierra, a menos que esté apagada y desenchufada. Si entra en contacto con la hoja puede sufrir lesiones personales.
- **FIJE LA MÁQUINA EN UNA SUPERFICIE DE APOYO ESTABLE.** La máquina podría deslizarse, moverse del lugar o volcarse debido a la vibración y causar lesiones graves.
- **UTILICE ÚNICAMENTE HOJAS PARA SIERRA DE CORTE TRANSVERSAL** que se recomiendan para el uso con sierra para cortar ingletes. Para obtener mejores resultados, use solamente ángulos de gancho negativos o de cero grado, cuando trabaje con hojas con punta de carburo. No utilice hojas con pasos profundos. Podrían entrar en contacto con la guarda y desviarla y de este modo dañar la máquina o provocar lesiones graves.
- **USE ÚNICAMENTE LAS HOJAS DEL TAMAÑO Y TIPO CORRECTOS** especificados para esta herramienta, a fin de prevenir daños a la máquina o lesiones graves.

- **REVISE QUE NO HAYA FISURAS EN LA HOJA** o cualquier otro daño antes de comenzar a trabajar. Es posible que una hoja con fisuras o dañada se parta; los pedazos pueden salir despedidos a alta velocidad y provocar lesiones graves. Reemplace las hojas con fisuras o dañadas inmediatamente.
- **LIMPIE LA HOJA Y LAS ABRAZADERAS DE DICHA HOJA** antes de comenzar a trabajar. La limpieza de la hoja y las abrazaderas de la hoja le permite verificar si la hoja o las abrazaderas se encuentran dañadas. Es posible que una hoja o abrazadera dañadas o con fisuras se partan y que los pedazos salgan despedidos a alta velocidad y provoquen lesiones graves.
- **NO** utilice lubricantes o limpiadores (especialmente pulverizadores o aerosoles) cerca de la guarda de plástico. El policarbonato utilizado para el protector puede ser corroído por ciertos productos químicos.
- **SIEMPRE UTILICE LA PLACA DE CORTE Y REEMPLÁCELA CUANDO ESTÉ DAÑADA.** La acumulación de astillas pequeñas debajo de la sierra puede interferir con la hoja de la sierra o provocar inestabilidad en la pieza de trabajo al realizar el corte.
- **UTILICE ÚNICAMENTE LAS ABRAZADERAS DE HOJA** especificadas para esta herramienta, a fin de prevenir daños a la máquina o lesiones graves.
- **LIMPIE LAS RANURAS DE AIRE DEL MOTOR,** quite las astillas y el aserrín. Cuando las ranuras de aire del motor están tapadas, la máquina puede recalentarse y, por consiguiente, dañarse y generar un cortocircuito que podría provocar lesiones graves.
- **MANTENGA LOS BRAZOS, LAS MANOS Y LOS DEDOS** lejos de la hoja para evitar cortes graves. Fije todas las piezas de trabajo que harían que la mano esté a 152 mm (6") de la hoja de la sierra.
- **NUNCA BLOQUEE EL INTERRUPTOR** en la posición "ON" (de encendido). Puede causar lesiones personales graves.
- **APAGUE LA MÁQUINA** y deje que la hoja se detenga completamente antes de levantar el brazo y antes de limpiar el área de la hoja, eliminar los desechos en el trayecto de la hoja, antes de realizar reparaciones o ajustes en la herramienta. Una hoja en movimiento puede provocar lesiones graves.
- **APOYE ADECUADAMENTE PIEZAS DE TRABAJO LARGAS O ANCHAS.** La pérdida del control de la pieza de trabajo puede causar lesiones.
- **NUNCA** cruce los brazos frente a la hoja mientras la herramienta está en funcionamiento. Siempre ensaye con la máquina apagada antes de realizar un corte de acabado para que pueda inspeccionar el trayecto de la hoja o, de otro modo, puede sufrir lesiones personales graves.
- **ENCONTRARÁ INFORMACIÓN ADICIONAL** disponible acerca de la operación correcta y segura de herramientas eléctricas (por ejemplo: un video de seguridad) en el Instituto de Herramientas Eléctricas (Power Tool Institute), 1300 Sumner Avenue, Cleveland, OH 44115-2851 (www.powertoolinstitute.com). Además, encontrará información disponible en el Consejo Nacional de Seguridad (National Safety Council), 1121 Spring Lake Drive, Itasca, IL 60143-3201. Remítase a los Requisitos de Seguridad 01.1 para las máquinas de carpintería del Instituto Estadounidense de Normas Nacionales (American National Standards Institute - ANSI) y a las normas OSHA 1910.213 del Departamento de Trabajo de los Estados Unidos.

⚠ ATENCIÓN: No conecte la unidad a la fuente de energía hasta no haber leído y comprendido todas las instrucciones.

⚠ ADVERTENCIA: Durante el uso, use siempre protección auditiva adecuada que cumpla con la norma ANSI S12.6 (S3.19). En ciertas circunstancias y según el período de uso, el ruido de este producto puede contribuir a la pérdida de audición.

⚠ ADVERTENCIA: NUNCA REALICE CORTES SIN QUE EL MATERIAL ESTÉ BIEN SUJETO A LA MESA Y CONTRA LA GUÍA.

⚠ ADVERTENCIA: Algunas partículas originadas al lijar, aserrar, amolar, taladrar y realizar otras actividades de construcción contienen productos químicos que producen cáncer, defectos de nacimiento y otros problemas reproductivos. Algunos ejemplos de estos productos químicos son:

- el plomo de las pinturas de base plomo,
- la sílice cristalina de ladrillos, cemento y otros productos de mampostería, y
- el arsénico y el cromo de la madera con tratamiento químico (CCA).

El riesgo derivado de estas exposiciones varía, según la frecuencia con la que se realice este tipo de trabajo. Para reducir la exposición a estos productos químicos: se recomienda trabajar en áreas bien ventiladas y usar equipos de seguridad aprobados, como las máscaras para polvo especialmente diseñadas para filtrar las partículas microscópicas.

• **Evite el contacto prolongado con las partículas de polvo originadas al lijar, aserrar, esmerilar, taladrar y realizar demás actividades de la construcción. Use indumentaria protectora y lave las áreas expuestas con agua y jabón.** Evite que el polvo entre en la boca y en los ojos o se deposite en la piel, para impedir la absorción de productos químicos nocivos.

⚠ ADVERTENCIA: El uso de esta herramienta puede generar o dispersar partículas de polvo, que pueden causar lesiones respiratorias permanentes y graves u otras lesiones. Use siempre protección respiratoria aprobada por NIOSH/OSHA (Instituto Nacional de Salud y Seguridad Ocupacional de EE.UU./Administración de la Salud y Seguridad Ocupacional de EE.UU.) apropiada para la exposición al polvo. Aleje las partículas de la cara y el cuerpo.

Para su comodidad y seguridad, la herramienta incluye las siguientes etiquetas de advertencia.

EN LA CUBIERTA DEL MOTOR:

ADVERTENCIA: POR SU PROPIA SEGURIDAD, LEA EL MANUAL DE INSTRUCCIONES ANTES DE OPERAR LA SIERRA.

AL REPARAR, SÓLO UTILICE PIEZAS DE REPUESTO IDÉNTICAS.

NO EXPONGA A LA LLUVIA NI UTILICE EN LUGARES HÚMEDOS

SIEMPRE UTILICE PROTECCIÓN PARA LOS OJOS.

EN LOS REBORDES MÓVILES:

SIEMPRE REGULE CORRECTAMENTE EL REBORDE ANTES DE UTILIZAR LA HERRAMIENTA. AJUSTE LAS PIEZAS PEQUEÑAS ANTES DE CORTAR. CONSULTE EL MANUAL.

EN EL PROTECTOR: PELIGRO – MANTÉNGASE ALEJADO DE LA HOJA.

EN EL PROTECTOR SUPERIOR: SUJETE CORRECTAMENTE EL SOPORTE CON AMBOS TORNILLOS ANTES DE UTILIZAR LA HERRAMIENTA.

EN LA MESA: (2 LUGARES)

AJUSTE SIEMPRE LAS PERILLAS DE REGULACIÓN ANTES DE UTILIZAR LA HERRAMIENTA.

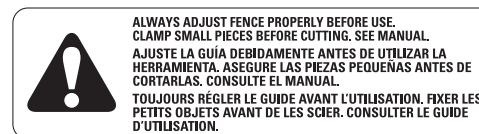
MANTENGA LAS MANOS A 152 MM (6") DEL TRAYECTO DE LA HOJA DE LA SIERRA.

NUNCA REALICE OPERACIONES A PULSO.

NUNCA CRUCE LOS BRAZOS FRENTE A LA HOJA.

¡PRESTE ATENCIÓN! EVITE LOS ACCIDENTES.

NO OPERE LA SIERRA SI LOS PROTECTORES NO ESTÁN ADECUADAMENTE INSTALADOS.



APAGUE LA HERRAMIENTA, MANTENGA LA CABEZA DE LA SIERRA HACIA ABAJO Y ESPERE A QUE LA SIERRA SE DETENGA ANTES DE MOVER LAS MANOS O LA PIEZA DE TRABAJO, O DE MODIFICAR LOS AJUSTES.
DESENCHUFE LA HERRAMIENTA ANTES DE CAMBIAR LA HOJA, O DE MOVER O REPARAR LA UNIDAD.

Conexión eléctrica

Asegúrese de que el suministro de energía concuerde con lo marcado en la placa. 120 voltios, CA significa que la sierra funciona con corriente alterna. El interruptor puede fallar si se utiliza corriente directa. Un descenso en el voltaje del diez por ciento o más producirá una pérdida de potencia y sobrecalentamiento. Todas las herramientas DEWALT están probadas en fábrica. Si esta herramienta no funciona, revise el suministro de energía.

Accesorios

Los accesorios que se recomiendan para la herramienta están disponibles para la compra en su distribuidor local o en el centro de mantenimiento autorizado. Si necesita ayuda para localizar algún accesorio para su herramienta, comuníquese con DEWALT Industrial Tool Co., 701 East Joppa Road, Baltimore, MD 21286, llame al 1-800-4-DEWALT (1-800-433-9258) o visite nuestro sitio Web www.dewalt.com.

⚠️ ADVERTENCIA: Debido a que no se han probado con este producto otros accesorios que no sean los que ofrece DEWALT, el uso de dichos accesorios podría ser peligroso. Para reducir el riesgo de lesiones, con este producto deben usarse sólo los accesorios DEWALT recomendados.

Accesorios opcionales

Los siguientes accesorios, diseñados para su sierra, pueden resultar útiles. En algunos casos, pueden resultar más apropiados otros soportes para piezas de trabajo, topes longitudinales, abrazaderas, etc. obtenidos localmente. Sea cuidadoso al seleccionar y utilizar los accesorios.

Sistema de dirección por láser: DW7187

Alimentada por la sierra, la línea brillante del láser ofrece una visibilidad mejorada en lugares bien y mal iluminados. Fácil de instalar.

Soporte de extensión para piezas de trabajo: DW7080

Se utiliza para sostener piezas de trabajo largas que sobresalen; debe ser montado por el usuario. La mesa de la sierra está diseñada para dos soportes de piezas de trabajo, uno de cada lado.

Abrazadera: DW7082 (modelo similar incluido)

Se utiliza para sujetar firmemente la pieza de trabajo a la mesa de la sierra y así lograr cortes de precisión.

Bolsa para polvo: DW7053 (Incluida en algunos modelos)

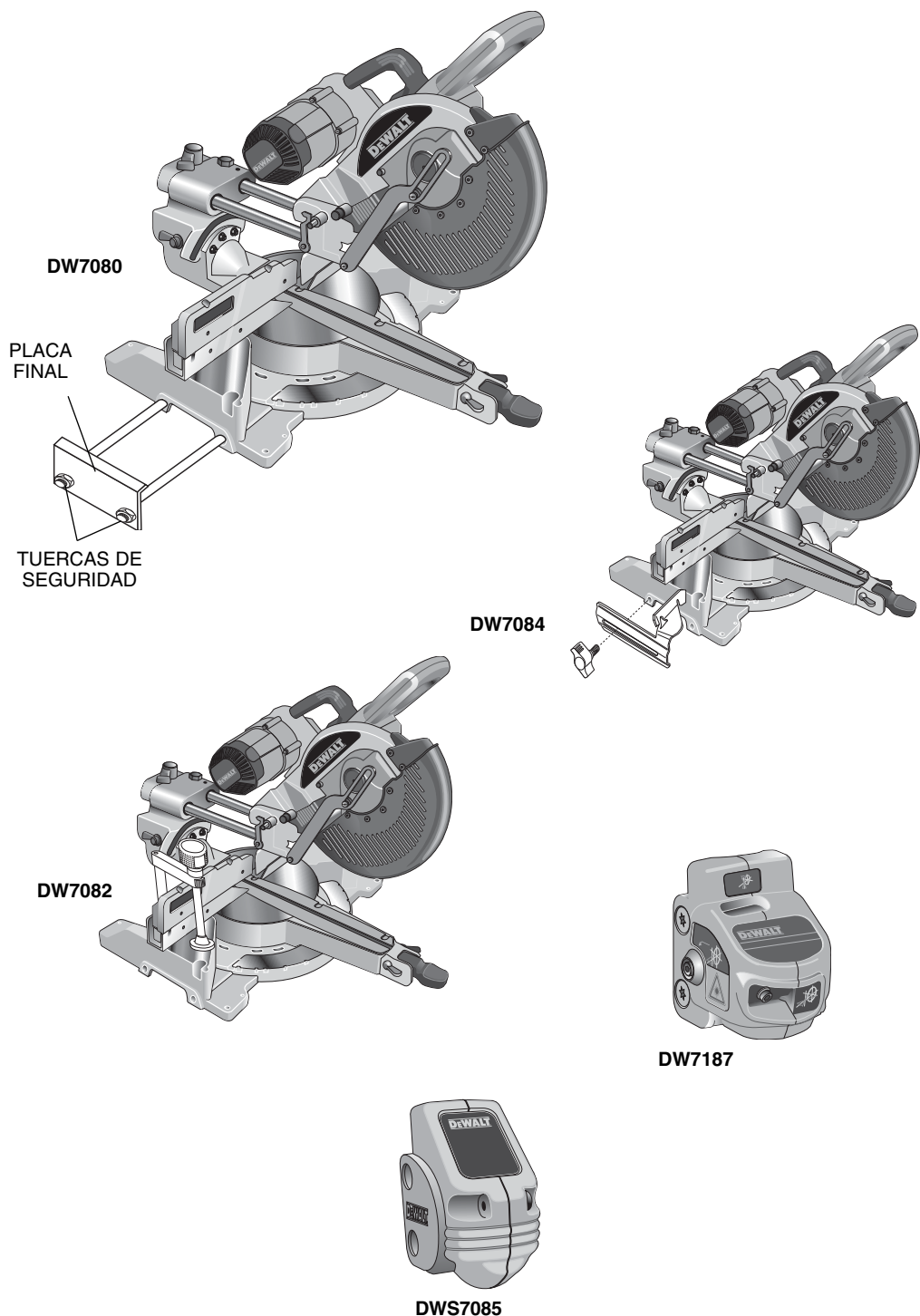
Equipada con cierre para permitir su práctico vaciado, la bolsa para polvo recoge la mayor parte del aserrín generado (no se muestra).

Reborde para molduras de corona: DW7084

Se utiliza para el corte preciso de molduras de corona.

Sistema de luz de trabajo LED: DWS7085

Iluminación usada para mayor visibilidad y alineación del corte durante la operación. Fácil de instalar.



HOJAS PARA SIERRAS: UTILICE SIEMPRE HOJAS DE SIERRA DE 254 mm (10 pulg.) CON ORIFICIOS PARA MANDRIL DE 25,4 mm (1 pulg.). LA VELOCIDAD DEBE SER DE AL MENOS 5.000 rpm. Nunca use hojas de menor diámetro. No estarán adecuadamente protegidas. Sólo use hojas de corte transversal. No use hojas diseñadas para cortes longitudinales, hojas de combinación u hojas con ángulos de gancho superiores a 5 pulg.

DESCRIPCIONES DE LAS HOJAS		
APLICACIÓN	DIÁMETRO	DIENTES
HOJAS DE SIERRA PARA LA CONSTRUCCIÓN (ranura fina con borde antiadherente)		
Propósito general	254 mm (10 pulg.)	40
Excelentes cortes transversales	254 mm (10 pulg.)	60
NOTA: Las hojas 60T de ranura fina sin amortiguador de ruido pueden resonar durante el funcionamiento sin carga.		
HOJAS DE SIERRA PARA CARPINTERÍA (producen cortes limpios y parejos)		
Excelentes cortes transversales	254 mm (10 pulg.)	80
Metales no ferrosos	254 mm (10 pulg.)	80
NOTA: Para cortar metales no ferrosos, utilice únicamente hojas de sierra diseñadas para este propósito.		

Desembalar la sierra

Controle el contenido de la caja de la sierra ingletadora para asegurarse de haber recibido todas las piezas. Además de este manual de instrucciones, la caja debe contener:

1. Una sierra ingletadora DW717.
2. Una hoja de sierra DEWALT de 254 mm (10 pulg.) de diámetro.
3. Una llave de la hoja en estuche, ilustrada en la figura 9.
4. Una bolsa para polvo DW7053 (algunos modelos).
5. Una abrazadera para sujetar los materiales.

Especificaciones

CAPACIDAD DE CORTE

51° de inglete derecho, 60° de inglete izquierdo

48° de bisel a izquierda y derecha

0° de inglete

Altura máxima 89 mm (3,5 pulg.)	Ancho resultante 302 mm (11,9 pulg.)
Ancho máximo 320 mm (12,6 pulg.)	Altura resultante 76 mm (3,0 pulg.)

45° de inglete

Altura máxima 89 mm (3,5 pulg.)	Ancho resultante 213 mm (8,4 pulg.)
Ancho máximo 226 mm (8,9 pulg.)	Altura resultante 76 mm (3,0 pulg.)

45° de bisel - izquierda

Altura máxima 58 mm (2,3 pulg.)	Ancho resultante 302 mm (11,9 pulg.)
Ancho máximo 320 mm (12,6 pulg.)	Altura resultante 50 mm (2,0 pulg.)

45° de bisel - derecha

Altura máxima 30 mm (1,2 pulg.)	Ancho resultante 302 mm (11,9 pulg.)
Ancho máximo 320 mm (12,6 pulg.)	Altura resultante 22 mm (0,9 pulg.)

La sierra puede cortar molduras zócalo de 20 mm (0,8 pulg.) de espesor por 165 mm (6,5 pulg.) de alto a 45° de inglete derecho o izquierdo.

NOTA: La sierra, con un procedimiento de configuración especial, puede cortar (consulte **Cortes especiales**):

0° de inglete	1,5 de altura (38 mm)	15,4 de ancho (391 mm)
45° de inglete	1,5 de altura (38 mm)	11,3 de ancho (287 mm)

MOTOR

Motor de 120 voltios

Potencia de entrada : 1 600W	Motor de 15 amperios
4 000 rpm	Engranajes fresados helicoidales
Correa en V múltiple	Rodamientos de bolas
Freno eléctrico automático	Hoja de carburo

Familiarizarse con la herramienta

La sierra ingletadora viene completamente armada en la caja. Abra la caja y resbale la sierra para quitar como ilustrado con la figura el 1.

Coloque la sierra sobre una superficie lisa y plana, como un banco de trabajo o una mesa fuerte.

Observe las dos figuras de la página 41 para familiarizarse con la sierra y sus diversas piezas. En la sección de will ajustes se describen estas piezas, y es preciso que usted sepa cuáles son y en qué lugar se encuentran.

⚠ ATENCIÓN: Riesgo de pellizcos. Para reducir el riesgo de lesiones, mantenga el pulgar debajo del mango cuando tire de éste hacia abajo. El protector inferior se moverá hacia arriba al tirar del mango hacia abajo, lo que podría producir un pellizco.

Presione suavemente la agarradera de operación y despliegue el pestillo de seguridad. Lentamente, deje de presionar y permita que el brazo se eleve a la altura máxima. Utilice el pestillo de seguridad al transportar la sierra de un lugar a otro. Para trasladar la sierra, utilice siempre la agarradera de transporte o el asidero representados en la figura. 2.

Montaje en el banco de trabajo

Las cuatro patas tienen orificios para facilitar el montaje en el banco, como se muestra en la figura 4. (Los orificios son de dos tamaños diferentes para adaptarse a distintos tamaños de tornillos. Utilice cualquiera de los dos orificios, no es necesario utilizar ambos.) Siempre monte la sierra firmemente en una superficie estable, para evitar movimientos. Para facilitar su transporte, se puede montar la herramienta a una pieza de madera contrachapada de 12,5 mm (1/2 pulg.) de espesor o más, que puede a su vez fijarse al soporte de la pieza de trabajo o trasladarse a otros puestos de trabajo y volver a fijarse.

NOTA: Si elige montar la sierra a una pieza de madera contrachapada, asegúrese de que los tornillos de montaje no sobresalgan de la parte inferior de la madera. La madera contrachapada debe quedar bien estabilizada sobre el soporte de trabajo. Al sujetar la sierra a cualquier superficie de trabajo, utilice únicamente los refuerzos de sujeción donde se encuentran los orificios de los tornillos de montaje. Si la sujeta en cualquier otro lugar es probable que se interfiera con el funcionamiento adecuado de la sierra.

⚠ ATENCIÓN: Para evitar bloqueos e imprecisiones, asegúrese de que la superficie de montaje no esté deformada o desnivelada. Si la sierra oscila sobre la superficie de trabajo, coloque un trozo delgado de material bajo una de las patas de la sierra para afirlarla sobre la superficie de montaje.

INSTRUCCIONES DE SEGURIDAD IMPORTANTES

FIG. 1

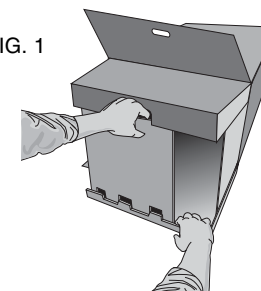
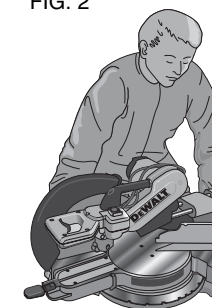


FIG. 2



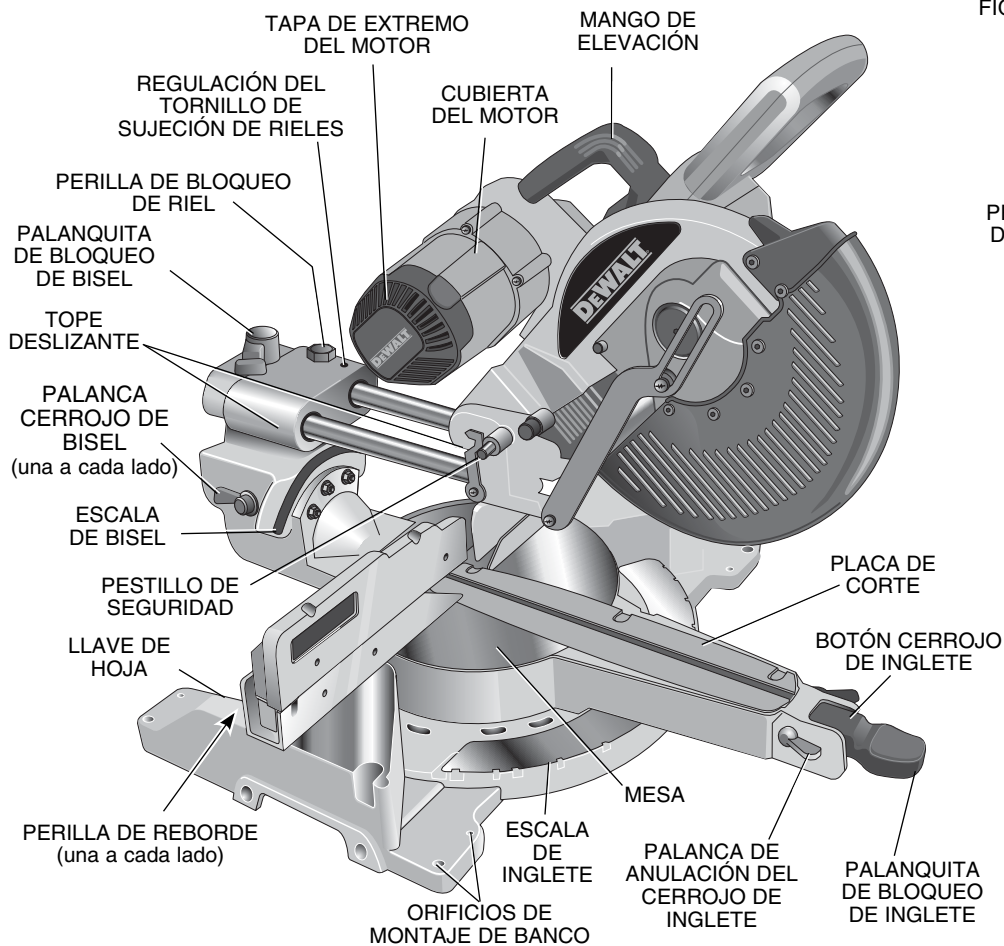
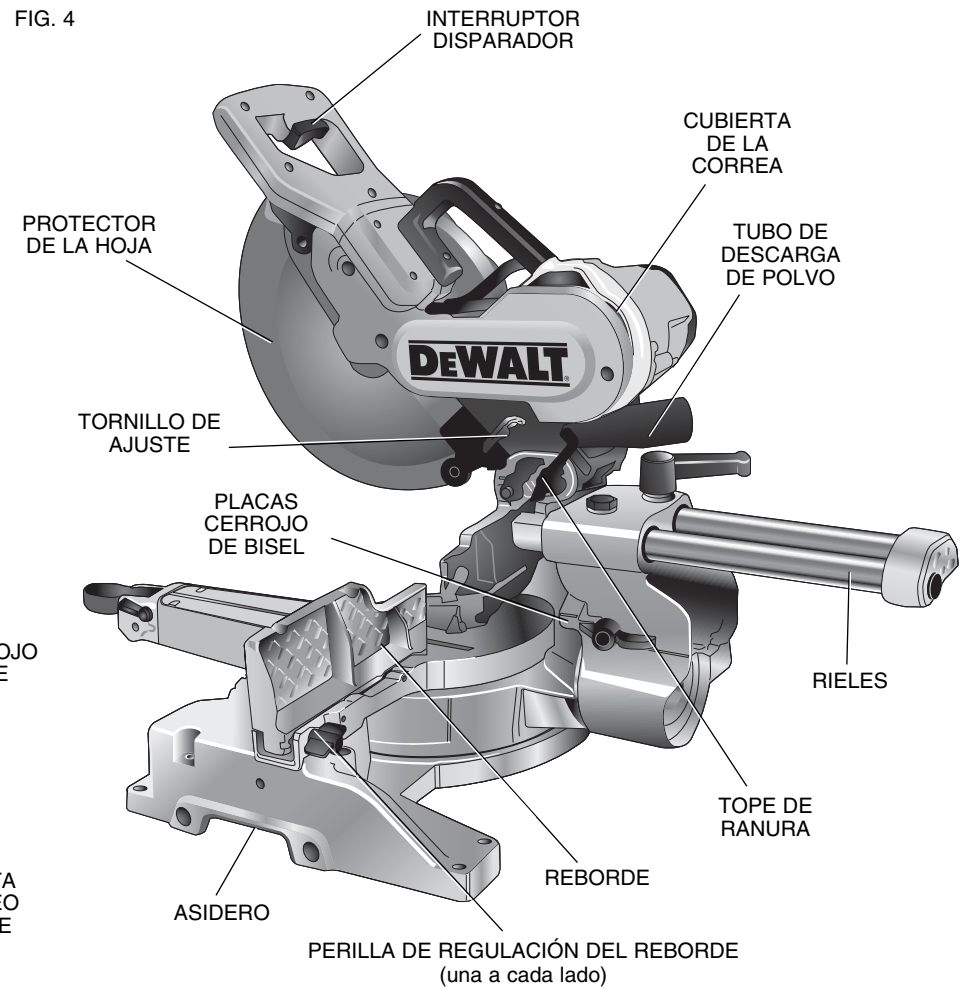


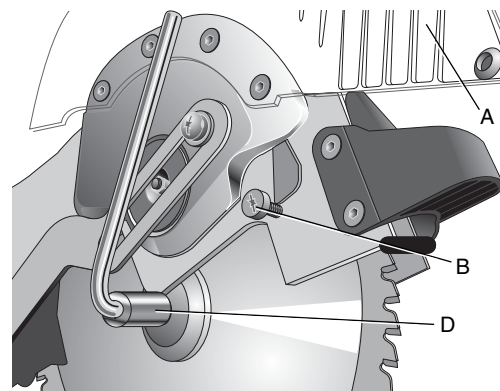
FIG. 4



Cambio o instalación de una hoja de sierra nueva (Fig. 3)

⚠️ ADVERTENCIA: Para reducir el riesgo de lesiones personales graves, apague la herramienta y desconéctela de la fuente de alimentación antes de intentar moverla, cambiar accesorios o realizar ajustes, excepto como lo indican las instrucciones de ajuste del láser.

FIG. 3



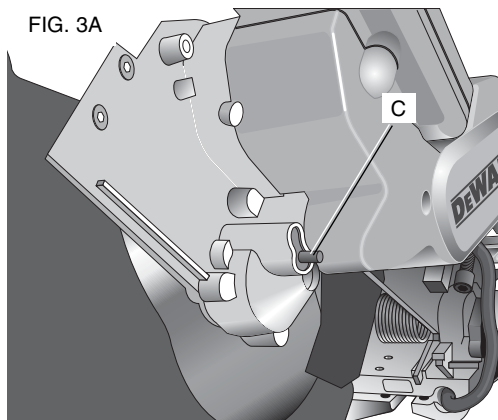
ATENCIÓN:

- Nunca oprima el botón de bloqueo del eje mientras la hoja esté en funcionamiento o en marcha por inercia.
- No utilice la sierra ingletadora para cortar metales ferrosos (que contengan hierro o acero), mampostería o productos de cemento de fibra.

Retiro de la hoja

1. Desenchufe la sierra.
2. Levante el brazo hasta la posición superior y levante el protector inferior (A) todo lo que sea posible.
3. Afloje, pero no retire el tornillo del soporte del protector (B) hasta que se pueda levantar suficientemente el soporte como para tener acceso al tornillo de la hoja. El protector inferior permanecerá levantado debido a la posición del tornillo del soporte del protector.

FIG. 3A

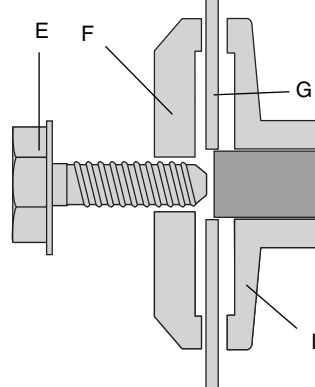


4. Oprima el botón de bloqueo del eje (C) mientras gira cuidadosamente la hoja de la sierra a mano hasta enganchar la traba.

5. Manteniendo el botón oprimido, utilice la otra mano y la llave proporcionada (D) para aflojar el tornillo de la hoja (E). (Gire en sentido de las agujas del reloj, roscas de mano izquierda)

6. Retire el tornillo de la hoja (E), la abrazadera externa de la hoja (F) y la hoja (G). La abrazadera interna de la hoja (I) puede dejarse en el eje.

FIG. 3B



Instalación de la hoja

1. Desenchufe la sierra.
2. Con el brazo levantado, el protector inferior abierto y el soporte del protector levantado, coloque la hoja en el eje, contra la abrazadera interna de la hoja, con los dientes de la parte inferior de la hoja en dirección a la parte posterior de la sierra.
3. Monte la abrazadera externa de la hoja sobre el eje.
4. Instale el tornillo de la hoja y, enganchando el bloqueo del eje, ajuste el tornillo firmemente con la llave provista. (Gire en sentido contrario a las agujas del reloj, roscas de mano izquierda.)
5. Vuelva a colocar el soporte del protector en su posición original y ajuste firmemente el tornillo del mismo para mantenerlo en lugar.

FIG. 5

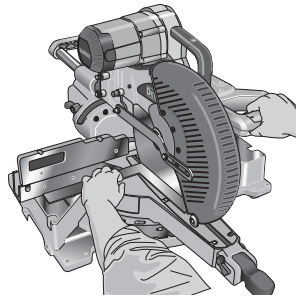


FIG. 6

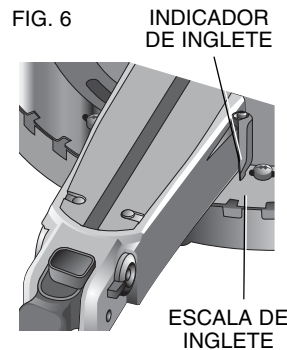


FIG. 7

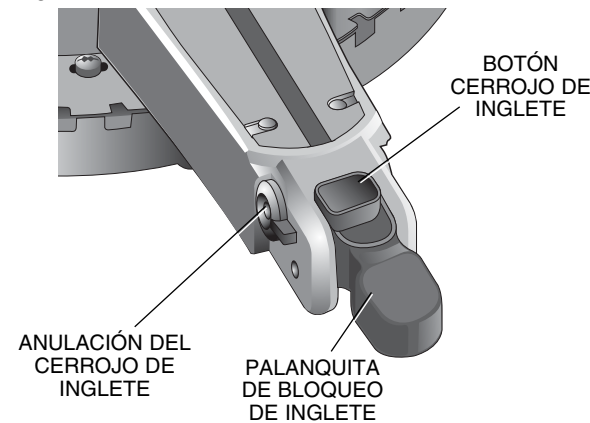
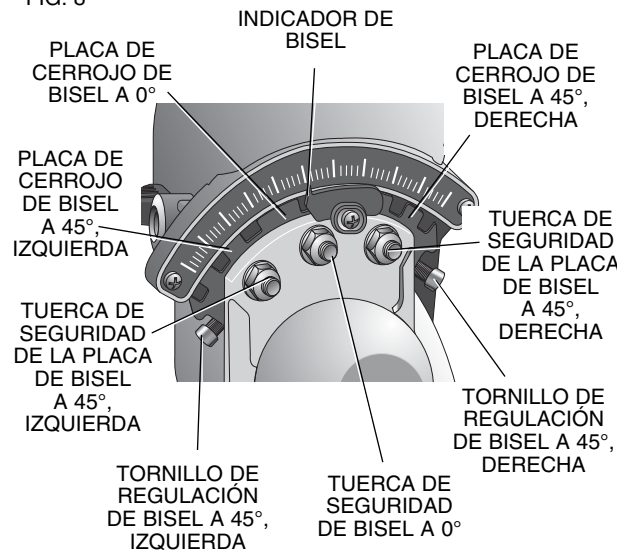


FIG. 8



⚠ ADVERTENCIA:

- Antes de poner en funcionamiento la sierra, se debe volver a colocar el soporte del protector en su posición original y ajustar el tornillo.
- Si no se cumple con esta indicación, el protector podría tocar la hoja de la sierra en rotación, provocando daños a la sierra y lesiones personales graves.

Transporte de la sierra

⚠ ADVERTENCIA: Para reducir el riesgo de lesiones personales graves, apague la herramienta y desconéctela de la fuente de alimentación antes de intentar moverla, cambiar accesorios o realizar ajustes, excepto como lo indican las instrucciones de ajuste del láser.

⚠ ADVERTENCIA: Para reducir el riesgo de lesiones personales graves, **BLOQUEE SIEMPRE** la perilla de bloqueo de riel, la palanquita de bloqueo de inglete, la palanquita de bloqueo de bisel, el pestillo de seguridad y las perillas de regulación del reborde antes de transportar la sierra.

Para poder transportarla fácilmente de un lugar a otro, se ha incorporado una agarradera de transporte en la parte superior del brazo de la sierra y asideros en la base, como se muestra en la Figura 4.

Ajustes

⚠ ADVERTENCIA: Para reducir el riesgo de lesiones personales graves, apague la herramienta y desconéctela de la fuente de alimentación antes de intentar moverla, cambiar accesorios o realizar ajustes, excepto como lo indican las instrucciones de ajuste del láser.

NOTA: La sierra ingletadora recibe todos los ajustes necesarios y precisos durante el proceso de fabricación. Si se precisa realizar nuevos ajustes debido al envío y la manipulación, o por cualquier otro motivo, siga los siguientes pasos.

Una vez realizados, estos ajustes no se volverán a desconfigurar. Tómese el tiempo necesario y siga estas instrucciones cuidadosamente para mantener el alto nivel de precisión de la sierra.

AJUSTE DE LA ESCALA DE INGLETE (FIG. 5)

Coloque una escuadra contra el reborde y la hoja de la sierra, como se indica. (No toque las puntas de los dientes de la hoja con la escuadra. Si lo hace, la medición obtenida será imprecisa.) Afloje la palanquita de bloqueo de inglete y balancee el brazo de inglete hasta que el cerrojo de inglete lo trabé en la posición de inglete 0. No ajuste la palanquita de bloqueo. Si la hoja de la sierra no se encuentra exactamente

perpendicular al reborde, afloje los cuatro tornillos que sujetan la escala de inglete a la base y mueva la escala hacia la izquierda o derecha hasta que la hoja quede perpendicular al reborde, midiendo con la escuadra. Vuelva a ajustar los cuatro tornillos. Por el momento, no preste atención a la medida que aparece en el indicador de inglete.

REGULACIÓN DEL INDICADOR DE INGLETE (FIG. 6)

Afloje la palanquita de bloqueo de inglete para mover el brazo de inglete a la posición cero. Una vez que haya aflojado la palanquita de bloqueo de inglete, permita que el cerrojo de inglete quede en la posición correcta a medida que usted gira el brazo de inglete a la posición cero. Observe el indicador y la escala de inglete que se muestran en la figura 6. Si el indicador no marca exactamente cero, afloje el tornillo que sujeta el indicador, vuelva a posicionarlo y ajuste el tornillo.

AJUSTE DE BISEL A ESCUADRA CON LA MESA (FIG. 8)

Para alinear la hoja en escuadra con la mesa, bloquee el brazo en la posición hacia abajo. Coloque una escuadra contra la hoja y la mesa, cuidando que la escuadra no toque los dientes de la hoja. Afloje el mango de bloqueo de bisel y verifique que el cerrojo de bisel haya quedado en la posición de 0°. Si la hoja de la sierra no se encuentra exactamente perpendicular a la mesa, afloje las tres tuercas que sujetan las placas de retención de bisel a la mesa. Ajuste la tuerca central para crear una leve resistencia entre la tuerca y la mesa. Golpee suavemente el motor o la cubierta de la correa para mover el montaje superior hasta que la hoja quede en escuadra con la mesa. Ajuste la tuerca central. Después del ajuste de bisel a escuadra con la mesa, se deben ajustar los topes de bisel de 45°.

INDICADOR DE BISEL (FIG. 8)

Si el indicador de bisel no marca cero, afloje el tornillo que lo sujeta en su lugar y mueva el indicador según sea necesario.

REGULACIÓN DEL TOPE DE BISEL A 45° HACIA LA DERECHA E IZQUIERDA (FIG. 8)

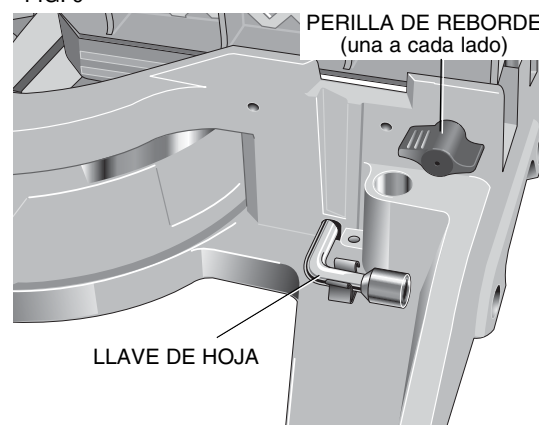
La sierra tiene dos regulaciones de bisel a 45 grados: una hacia la derecha y otra hacia la izquierda. El procedimiento es el mismo para ambos lados.

Para alinear los topes de 45 grados, bloquee el brazo en la posición hacia abajo. Coloque una escuadra para ingletes contra la hoja y la mesa, cuidando que la escuadra no toque los dientes de la hoja. Afloje la palanca de bloqueo de bisel y verifique que el cerrojo de bisel haya quedado en la posición de 45 grados. Si la hoja de la sierra no está a 45 grados de la mesa, afloje la tuerca que sujeta la placa cerrojo de bisel de 45 grados a la mesa. Gire una o dos vueltas el tornillo de regulación en el sentido contrario a las agujas del reloj, para que la hoja quede a menos de 45 grados de la mesa. Gire el tornillo de regulación en el sentido de las agujas del reloj hasta que la hoja quede a 45 grados de la mesa. Ajuste la tuerca de seguridad.

REGULACIÓN DEL REBORDE (FIG. 9)

⚠ADVERTENCIA: Para reducir el riesgo de lesiones personales graves, apague la herramienta y desconéctela de la fuente de alimentación antes de intentar moverla, cambiar accesorios o realizar ajustes, excepto como lo indican las instrucciones de ajuste del láser.

FIG. 9



Para que la sierra pueda biselar a 48 grados completos hacia la izquierda o derecha, uno de los rebordes se puede regular para proporcionar espacio. Para regular los rebordes, afloje la perilla de plástico y deslice el reborde hacia afuera. Ensaye una vez con la sierra apagada y verifique que haya espacio suficiente. Regule el reborde para que quede lo más cerca posible de la hoja y proporcione un máximo soporte a la pieza de trabajo, sin interferir con el movimiento de elevación y descenso del brazo. Ajuste la perilla firmemente. Al completar las operaciones de biselado, no olvide reubicar el reborde.

NOTA: La ranura de guía de los rebordes puede obstruirse con aserrín. Si nota que ha comenzado a obstruirse, utilice un palillo o aire a baja presión para limpiar la ranura de guía.

FRENO ELÉCTRICO AUTOMÁTICO

La sierra viene equipada con un freno eléctrico automático que detiene la hoja de la sierra dentro de los cinco segundos después de accionar el disparador. El freno no es regulable.

En algunas ocasiones puede producirse un retraso en la activación del freno luego de accionar el disparador. En muy pocas ocasiones puede ocurrir que el freno no se active en absoluto, en cuyo caso la hoja seguirá su marcha por inercia hasta detenerse.

Si se producen retrasos o "saltos", apague y encienda la sierra cuatro o cinco veces. Si el problema persiste, haga reparar la herramienta en un centro de servicio DEWALT autorizado.

Asegúrese siempre de que la hoja se haya detenido antes de retirarla de la ranura. El freno no sustituye a los protectores, ni tampoco garantiza su seguridad si usted no presta atención al utilizar la sierra.

ACCIONAMIENTO Y VISIBILIDAD DEL PROTECTOR

⚠ATENCIÓN: Riesgo de pellizcos. Para reducir el riesgo de lesiones, mantenga el pulgar debajo del mango cuando tire de éste hacia abajo. El protector inferior se moverá hacia arriba al tirar del mango hacia abajo, lo que podría producir un pellizco.

El protector de la hoja de la sierra se eleva automáticamente cuando el brazo desciende, y desciende sobre la hoja cuando el brazo se eleva.

Al instalar o retirar hojas de sierra, o al realizar inspecciones, usted puede elevar el protector en forma manual. **NUNCA ELEVE EL PROTECTOR DE LA HOJA MANUALMENTE A MENOS QUE LA SIERRA ESTÉ APAGADA.**

NOTA: Algunos cortes especiales de materiales de gran tamaño requieren que el usuario eleve el protector en forma manual. Consulte la página 48.

La sección frontal del protector tiene rejillas que proporcionan visibilidad durante el corte. Si bien las rejillas reducen considerablemente los residuos volátiles, no dejan de ser aberturas en el protector, por lo que se debe usar anteojos de seguridad en todo momento al mirar por la rejilla.

REGULACIÓN DE LA PLACA DE CORTE

Para regular las placas de corte, afloje los tornillos que las sujetan. Regúlelas de manera tal que las placas de corte queden lo más cerca posible de la hoja, sin interferir en su movimiento.

REGULACIÓN DEL RIEL DE GUÍA

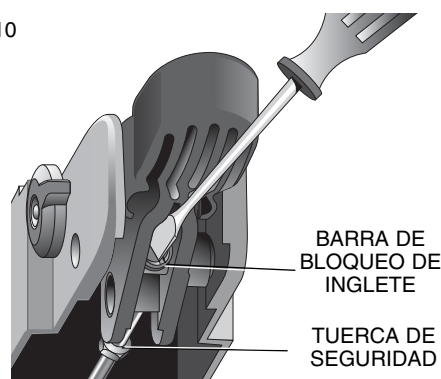
Controle periódicamente los rieles para asegurarse que no haya huelgos ni espacios. El riel derecho se puede regular con el tornillo de sujeción indicado en la Figura 4. Para reducir el espacio libre, utilice una llave hexagonal de 4 mm y gire gradualmente el tornillo de sujeción en el sentido de las agujas del reloj, al tiempo que desliza la cabeza de la sierra hacia adelante y hacia atrás. Ajústelo para que quede la menor distancia posible sin que se produzca una resistencia.

REGULACIÓN DEL BLOQUEO DE INGLETE

La barra de bloqueo de inglete debe ajustarse si la mesa de la sierra se mueve cuando la palanquita de bloqueo de inglete está hacia abajo. Para ajustar la palanquita de bloqueo de inglete, súbala. Con una llave de boca de 13 mm, afloje la tuerca de seguridad en la barra de bloqueo de inglete (Fig. 10). Con un destornillador de cabeza plana, ajuste la barra de bloqueo de inglete girándola en el sentido de las agujas del reloj, como se muestra en la Fig. 10. Gire la barra de bloqueo hasta que quede ajustada, luego hágala girar una vez en el sentido contrario a las agujas

del reloj. Para asegurarse de que la palanquita de bloqueo de inglete funcione correctamente, vuelva a fijarla en una medida que no esté bloqueada en la escala de inglete (por ejemplo, 34 grados) y asegúrese de que la mesa no gire. Ajuste la tuerca de seguridad.

FIG. 10



Cepillos

⚠ADVERTENCIA: Para reducir el riesgo de lesiones personales graves, apague la herramienta y desconéctela de la fuente de alimentación antes de intentar moverla, cambiar accesorios o realizar ajustes, excepto como lo indican las instrucciones de ajuste del láser.

Inspeccione regularmente los cepillos de carbono; para hacerlo, desenchufe la herramienta, quite la tapa de extremo del motor (Fig. 4), levante el resorte del cepillo y retire el montaje de cepillos. Mantenga los cepillos limpios de manera que puedan deslizarse cómodamente en sus guías. Al reemplazar un cepillo usado, observe la posición en la que se encuentra en el soporte, a fin de colocar el nuevo cepillo en la misma posición. Los cepillos de carbono tienen diversos símbolos estampados en sus lados, y si el cepillo se ha gastado hasta aproximadamente 12,5 mm (1/2 pulg.) del resorte, dejará de ejercer presión, por lo que habrá que reemplazarlo. Utilice solamente cepillos DEWALT idénticos. Es fundamental utilizar cepillos de la calidad adecuada para que el freno eléctrico funcione correctamente. En los centros de servicio DEWALT podrá conseguir nuevos montajes de cepillos. Se debe dejar que la herramienta funcione a prueba (sin carga) durante diez minutos antes de utilizarla, para que los cepillos nuevos se asienten. El freno eléctrico puede presentar fallas en su funcionamiento hasta que los cepillos estén adecuadamente asentados (gastados). Vuelva a colocar la tapa de inspección de cepillos luego de inspeccionar o reparar los cepillos.

Durante el funcionamiento "de prueba" NO ATE, ENCINTE O BLOQUEE EL INTERRUPTOR DISPARADOR. SOSTÉNGALO ÚNICAMENTE CON LA MANO.

Controles

La sierra ingletadora compuesta tiene varios controles principales, que serán analizados brevemente a continuación. Para obtener más información acerca de estos controles, consulte las secciones anteriores correspondientes.

CONTROL DE INGLETE (FIG. 7)

La palanquita de bloqueo / regulación y disparador de retención de inglete le permiten realizar cortes angulares de 60 grados hacia la izquierda y de 50 grados hacia la derecha. Para regular el inglete de la sierra, levante la palanquita de bloqueo / regulación de inglete, empuje el botón cerrojo de inglete y fije el ángulo de inglete que desea en la escala de inglete. Presione la palanquita de bloqueo para trabar la mesa de la sierra.

INTERRUPTOR DISPARADOR

El interruptor disparador (Fig. 4) enciende y apaga la sierra. El disparador tiene un orificio donde se puede insertar un candado para asegurar la sierra.

PALANCA DE ANULACIÓN DEL CERROJO DE INGLETE (FIG. 7)

La anulación del cerrojo de inglete permite que la sierra sobrepase los ángulos de tope comunes. La sierra tiene dos perillas de anulación del cerrojo de inglete, una a cada lado del control de inglete. Para sobrepasar los ángulos de tope comunes, gire las perillas del cerrojo de inglete hacia abajo. Si presiona el botón del cerrojo de inglete, las perillas regresarán automáticamente a la posición de apagado.

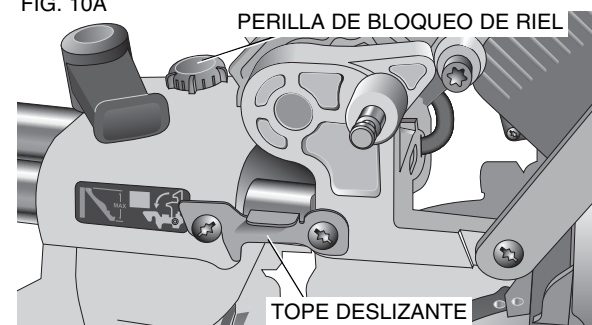
CONTROL DE BISEL (FIG. 8)

Las palancas de cerrojo de bisel y la palanquita de bloqueo de bisel le permiten fijar el ángulo de la sierra a 48 grados hacia la izquierda y derecha. La sierra cuenta con dos palancas de cerrojo de bisel, una a cada lado de la cubierta de soporte trasero. Solamente se debe usar una para mover el bisel hacia cualquiera de las direcciones. La palanquita de bloqueo de bisel se encuentra arriba de la cubierta de soporte trasero. Para fijar el ángulo de la sierra, afloje la palanquita de bloqueo de bisel. Levante una de las palancas hasta aproximadamente 45 grados y fije el ángulo de bisel que necesita en la escala de bisel. Hay dos escalas de bisel para su comodidad. Trabe la palanquita de bloqueo de bisel para fijar el bisel. Las palancas cerrojo de bisel se pueden levantar verticalmente para anular los ángulos comunes de tope.

La palanquita de bloqueo de bisel permite una rotación limitada. La palanquita se puede volver a orientar para compensar el desgaste normal. Si el bisel de la sierra se mueve mientras la palanquita de bloqueo de bisel está ajustada, entonces ésta deberá volver a ser orientada. Para ajustar la palanquita de bloqueo de bisel, quite el tor-

nillo del centro de la palanquita. Cuidadosamente levante la palanquita con un destornillador de hoja plana. Vuelva a orientar e instalar la palanquita de forma que soporte el bisel cuando esté apretada. Instale y apriete el tornillo.

FIG. 10A



TOPE DESLIZANTE (FIG. 10A)

El control de tope deslizante ajusta los rieles de la sierra para que se puedan cortar molduras verticales lo más largas que sea posible. AJUSTE SIEMPRE LA PERILLA DE BLOQUEO DEL RIEL CUANDO UTILICE EL TOPE DESLIZANTE, PARA EVITAR QUE EL SISTEMA DESLIZANTE SE MUEVA INVOLUNTARIAMENTE.

PERILLA DE BLOQUEO DE RIEL (FIG. 4)

La perilla de bloqueo de riel le permite bloquear la cabeza de la sierra firmemente para evitar que se deslice sobre los rieles. La cabeza de la sierra tiene que estar bloqueada para realizar determinados cortes o transportar la sierra.

TOPE DE RANURAS (FIG. 4)

El tope de ranuras le permite cortar ranuras. Moviendo la palanca hacia el frente de la sierra y apretando el tornillo de ajuste se cambia la profundidad del corte de la ranura. Moviendo la palanca hacia la parte de atrás de la sierra se desvía el tope de ranuras.

PESTILLO DE SEGURIDAD (FIG. 4)

Para bloquear la cabeza de la sierra en la posición hacia abajo, empuje la cabeza hacia abajo, presione el pestillo y suelte la cabeza de la sierra. Así se sostendrá la cabeza de la sierra en forma segura hacia abajo para poder trasladar la herramienta de un lugar a otro. Para soltarla, presione la cabeza de la sierra hacia abajo y retire el pestillo.

Operación

Enchufe la sierra en cualquier fuente de alimentación doméstica de 60 Hz. Consulte el voltaje en la placa de la herramienta. Asegúrese de que el cable no interfiera con su trabajo.

INTERRUPTOR

Para encender la sierra, oprima el interruptor disparador. Para apagarla, suelte el interruptor. Permita que la hoja alcance la velocidad máxima de rotación (rpm) antes de

realizar el corte. Suelte el interruptor disparador y permita que el freno detenga la hoja antes de levantar la cabeza de la sierra. No hay ningún dispositivo para bloquear el interruptor en encendido, pero en el orificio del disparador se puede insertar un candado para bloquear la sierra apagada.

CORTES CON LA SIERRA

Si no se utiliza la función de deslizamiento, asegúrese de que la cabeza de la sierra esté lo más atrás posible y que la perilla de bloqueo de riel esté ajustada. Esto evitará que la sierra se deslice por los rieles cuando la pieza esté colocada.

NOTA: Aunque esta sierra corta madera y muchos materiales no ferrosos, limitaremos nuestro análisis solamente al corte de madera. Las mismas pautas se aplican a otros materiales. **NO CORTE MATERIALES FERROSOS (HIERRO Y ACERO) O MAMPOSTERÍA CON ESTA SIERRA.** No emplee hojas abrasivas.

CORTES TRANSVERSALES

No se recomienda cortar muchas piezas, aunque es posible hacerlo en forma segura siempre que cada pieza esté sostenida firmemente contra la mesa y el reborde. Una vez que la sierra haya alcanzado velocidad (al cabo de 1 segundo), baje el brazo uniforme y lentamente para cortar a través de la madera. Espere a que la hoja se detenga por completo para levantar el brazo.

Los cortes transversales se realizan cruzando la veta de la madera en cualquier ángulo. Los cortes transversales rectos se realizan con el brazo del inglete en la posición de cero grados. Fije y bloquee el brazo del inglete en cero, sostenga la madera firmemente sobre la mesa y contra el reborde. Con la perilla de bloqueo de riel apretada, encienda la sierra accionando el interruptor disparador que se muestra en la Fig. 4.

Una vez que la sierra haya alcanzado velocidad (al cabo de 1 segundo), baje el brazo uniforme y lentamente para cortar a través de la madera. Espere a que la hoja se detenga por completo para levantar el brazo.

Cuando corte algún material más largo de 111.8 mm (4,4 pulg.) [76.2 mm (3 pulg.) 45 grados de inglete], utilice un movimiento hacia afuera, hacia abajo y hacia atrás con la perilla de bloqueo de riel floja. Traiga la sierra hacia usted, baje la cabeza de la sierra en dirección a la pieza de trabajo y lentamente, empuje la sierra hacia atrás para completar el corte. No permita que la sierra toque la parte superior de la pieza de trabajo mientras la retira. La sierra podría correrse hacia usted, provocándole lesiones personales u ocasionando daños a la pieza de trabajo.

NOTA: Para brindar una mayor capacidad de cortes transversales con menor carrera, la hoja de la DW717 se extiende más hacia el centro de la mesa. Como resultado, es posible obtener una mayor fuerza de elevación sobre la pieza de trabajo durante corte.

FIG. 11

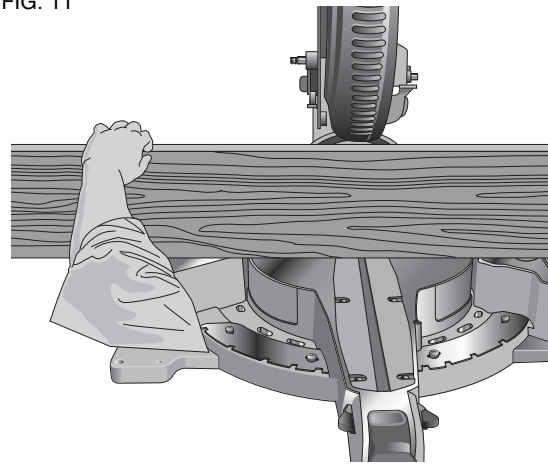


FIG. 12

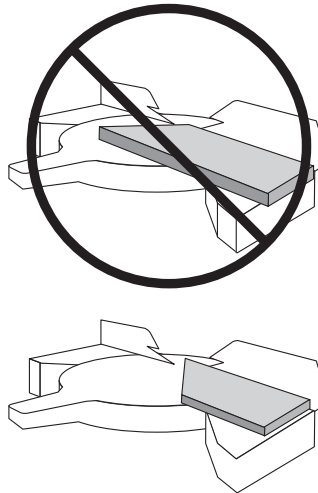
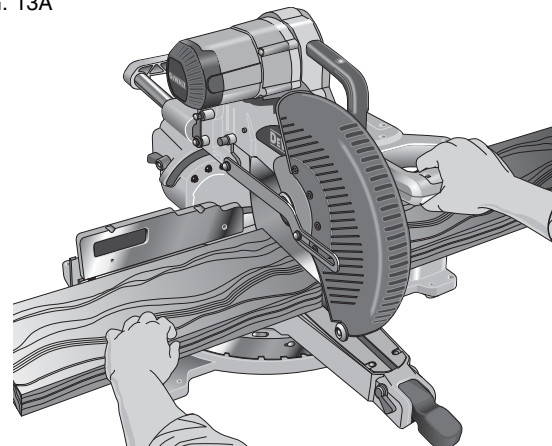


FIG. 13A



CORTE CORRECTO

⚠ ATENCIÓN: Siempre utilice una abrazadera para sujetar la pieza de trabajo a fin de mantener el control y reducir el riesgo de daños en la pieza o lesiones personales.

NOTA: La perilla de bloqueo de riel que se muestra en la Figura 4 debe estar floja para permitir que la sierra se deslice a lo largo de los rieles.

Los cortes transversales de inglete se realizan con el brazo de inglete en cualquier otro ángulo que no sea cero. Este ángulo suele ser de 45° para formar esquinas, pero puede fijarse en cualquier posición, ya sea a la izquierda o derecha. Realice el corte según la descripción anterior.

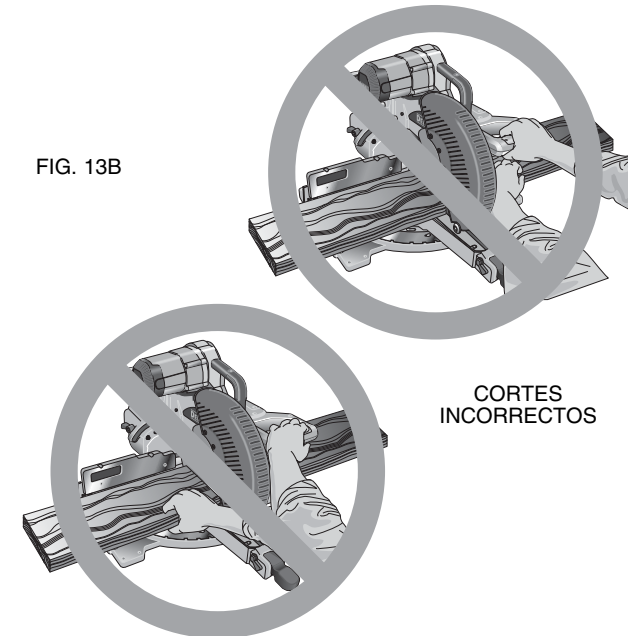
Al cortar piezas de trabajo que son más anchas que largas, de más de 2 x 6, siempre coloque el lado más largo contra el reborde (Fig. 12).

Para cortar siguiendo una línea marcada con lápiz sobre la pieza de madera, haga coincidir el ángulo de la forma más precisa posible. Corte la madera con un largo un poco excesivo y mida la distancia desde la línea marcada con lápiz al borde del corte, para determinar en qué dirección se debe ajustar el ángulo del inglete; luego vuelva a realizar el corte. Este proceso requiere cierta práctica, pero es una técnica muy utilizada.

CORTES BISELADOS

Los cortes biselados son cortes transversales que se realizan con la hoja de la sierra en ángulo con la madera. A fin de fijar el bisel, afloje la palanquita de bloqueo de bisel, levante la palanca cerrojo de bisel (Figura 4) y mueva la sierra de izquierda a derecha. (Hay que mover el reborde para dejar espacio libre). Una vez fijado el ángulo de bisel necesario, apriete firmemente la palanquita de fijación de bisel.

FIG. 13B



CORTES INCORRECTOS

Los ángulos de bisel se pueden fijar desde 48 grados a la derecha a 48 grados a la izquierda y se pueden cortar con el brazo del inglete fijo entre 50 grados a la derecha o 60 grados a la izquierda. Es posible que haya que retirar el reborde lateral izquierdo o derecho para algunos ángulos extremos. Para retirar el reborde izquierdo o derecho, desenrosque la perilla de regulación del reborde varias veces y retire el reborde.

CALIDAD DEL CORTE

La uniformidad del corte depende de diferentes variables. El tipo de material a cortar, el tipo y filo de la hoja, y la velocidad del corte contribuyen a la calidad.

Cuando se necesitan cortes más uniformes para molduras u otros trabajos de precisión, se debe usar una hoja afilada (60 dientes de carburo) y una velocidad de corte más lenta para lograr los resultados deseados.

Asegúrese de que el material no se deslice mientras lo corta; sujételo firmemente. Siempre espere a que la hoja se detenga por completo para levantar el brazo.

Si aun así se desprenden pequeñas fibras de la parte trasera de la pieza de trabajo, pegue un trozo de cinta adhesiva en la madera donde se realizará el corte. Corte con la sierra a través de la cinta y retírela con cuidado cuando termine.

Para diferentes aplicaciones de cortes, consulte la lista de hojas recomendadas para su sierra y elija la que más se adapte a sus necesidades (página 40).

POSICIÓN DEL CUERPO Y LAS MANOS (FIG. 13A)

La correcta posición del cuerpo y las manos mientras opera la sierra ingletadora ayudará a lograr cortes más fáciles, precisos y seguros. Nunca coloque las manos cerca del área de corte. No coloque las manos a menos de 152 mm (6 pulg.) de distancia de la hoja. Sujete la pieza de trabajo fija a la mesa y al reborde mientras corta. Mantenga las manos en posición hasta que el disparador esté liberado y la hoja se haya detenido por completo. SIEMPRE ENSAYE (SIN CORRIENTE ELÉCTRICA) ANTES DE REALIZAR LOS CORTES, A FIN DE PODER CONTROLAR EL TRAYECTO DE LA HOJA. NO CRUCE LAS MANOS, COMO SE MUESTRA EN LA FIGURA 13B.

Mantenga ambos pies firmes sobre el piso y mantenga el equilibrio adecuado. Mientras usted mueve el brazo del inglete de izquierda a derecha, acompáñelo y párese al costado de la hoja de la sierra. Observe a través de las rejillas protectoras cuando siga una línea de lápiz.

SUJECCIÓN DE LA PIEZA DE TRABAJO

⚠ADVERTENCIA: Para reducir el riesgo de lesiones personales graves, apague la herramienta y desconéctela de la fuente de alimentación antes de intentar moverla, cambiar accesorios o realizar ajustes, excepto como lo indican las instrucciones de ajuste del láser.

⚠ADVERTENCIA: Una pieza de trabajo que está sujeta con la abrazadera, equilibrada y asegurada antes de

FIG. 14

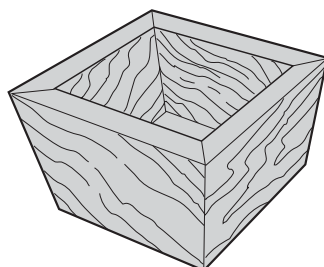


FIG. 15

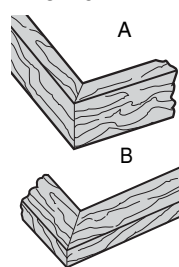
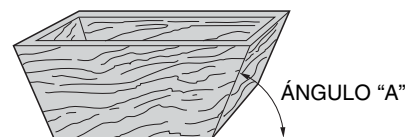


FIG. 16



realizar un corte puede desequilibrarse después de finalizar el corte. Una carga desequilibrada puede inclinar la sierra o cualquier objeto en el que esté instalada dicha sierra, como una mesa o un banco de trabajo. Al realizar un corte que puede desequilibrarse, sostenga adecuadamente la pieza de trabajo y asegúrese de que la sierra esté atornillada con firmeza a una superficie estable. Pueden ocasionar lesiones personales.

⚠ADVERTENCIA: El pie de la abrazadera debe permanecer sujeto con la abrazadera por encima de la base de la sierra siempre que se utilice la abrazadera. Siempre sujete la pieza de trabajo con la abrazadera a la base de la sierra (no a cualquier otra pieza del área de trabajo). Asegúrese de que el pie de la abrazadera no esté sujeto al borde de la base de la sierra.

Si no puede sujetar la pieza de trabajo con la mano sobre la mesa y contra el reborde, (forma irregular, etc.) o si su mano quedara a menos de 152 mm (6 pulg.) de la hoja, debe utilizar una abrazadera u otro tipo de sujeción.

Para obtener mejores resultados, utilice la abrazadera DW7082 fabricada para usar con esta sierra. Es posible que se proporcione otro tipo de abrazadera con la DW717. Para comprar la DW7082, comuníquese con el comercio minorista de su localidad o con el centro de servicios DEWALT.

También pueden ser apropiados otros accesorios, como las abrazaderas de resorte, las abrazaderas de barra o las abrazaderas en C, según los diferentes tamaños y formas del material. Sea cuidadoso al elegir y colocar estas abrazaderas. Tómese el tiempo para ensayar el corte con la sierra apagada antes de realizarlo. El reborde izquierdo o derecho se deslizará de lado a lado para facilitar la sujeción.

PARA INSTALAR LA ABRAZADERA

1. Introdúzcala en el orificio detrás de la guía. La abrazadera debe estar mirando hacia la parte posterior de la sierra ingletadora. La ranura en la barra de la abrazadera debe estar completamente dentro de la base. Asegúrese de que esta ranura esté completamente dentro de la base de la sierra ingletadora.

Si la ranura está visible, la abrazadera no estará segura.

2. Gire la abrazadera 180° hacia el frente de la sierra ingletadora.

3. Suelte la perilla para ajustar la abrazadera hacia arriba o abajo, luego, utilice la perilla fina ajustable para sostener con firmeza la pieza de trabajo con la abrazadera.

NOTA: Coloque la abrazadera en el lado opuesto de la base al realizar el biselado. SIEMPRE ENSAYE ANTES DE REALIZAR LOS CORTES (SIN CORRIENTE ELÉCTRICA) PARA COMPROBAR EL TRAYECTO DE LA HOJA. ASEGÚRESE DE QUE LA ABRAZADERA NO INTERFIERA CON LA ACCIÓN DE LA SIERRA O LOS PROTECTORES.

⚠ADVERTENCIA: Una pieza de trabajo que está sujeta con la abrazadera, equilibrada y asegurada antes de realizar un corte puede desequilibrarse después de terminarlo. Una carga desequilibrada puede inclinar la sierra o cualquier objeto en el que esté instalada la sierra, como un banco o una mesa de trabajo. Al realizar un corte que puede desequilibrarse, sostenga adecuadamente la pieza de trabajo y asegúrese de que la sierra esté atornillada con firmeza a una superficie estable.

⚠ADVERTENCIA: El pie de la abrazadera debe permanecer sujeto con la abrazadera por encima de la base de la sierra siempre que se utilice la abrazadera. Siempre sujete la pieza de trabajo con la abrazadera a la base de la sierra (no a cualquier otra pieza del área de trabajo). Asegúrese de que el pie de la abrazadera no quede sujeto al borde de la base de la sierra.

SOPORTE DE PIEZAS LARGAS

⚠ADVERTENCIA: Para reducir el riesgo de lesiones personales graves, apague la herramienta y desconéctela de la fuente de alimentación antes de intentar moverla, cambiar accesorios o realizar ajustes, excepto como lo indican las instrucciones de ajuste del láser.

SIEMPRE UTILICE SOPORTES PARA LAS PIEZAS LARGAS.

Nunca ponga a otra persona como extensión del banco, como punto de apoyo adicional para una pieza de trabajo que es más larga o ancha que el banco básico de la sierra ingletadora, o para que lo ayude a cargar, sostener o empujar la pieza de trabajo.

Para obtener mejores resultados, utilice el soporte de extensión para ampliar el ancho de la mesa de la sierra. Puede conseguirlo en el comercio de su localidad a costo

adicional. Utilice algún soporte conveniente para apoyar las piezas de trabajo largas, como los caballetes de aserrar u otro dispositivo similar, a fin de evitar que se caigan los extremos de la pieza.

CORTE DE MARCOS PARA FOTOS, CAJAS PARA EXHIBIR OBJETOS Y OTROS ELEMENTOS DE CUATRO LADOS

Para comprender mejor cómo se fabrican los elementos aquí enumerados, le sugerimos que intente con algunos proyectos simples, usando madera de descarte, hasta que se acostumbre y domine a la sierra.

La sierra es la herramienta perfecta para cortar esquinas a inglete, como la que se muestra en la Figura 14. El esquema A de la Figura 15 muestra un empalme hecho con la regulación de bisel para biselar los bordes de dos placas a 45 grados cada una y obtener una esquina a 90 grados. Para hacer este empalme, el brazo del inglete se bloqueó en la posición cero y la regulación de bisel se bloqueó a 45 grados. La madera se ubicó con el lado plano ancho contra la mesa y el borde angosto contra el reborde. El corte también se podría haber hecho cortando a inglete de derecha a izquierda, con la superficie ancha contra el reborde.

CORTE DE MOLDURAS DE TERMINACIÓN Y OTROS MARCOS

El esquema B de la figura 14 muestra un empalme realizado con la regulación del brazo de inglete a 45 grados, para cortar a inglete las dos placas a fin de formar una esquina a 90 grados. Para hacer este tipo de empalme, fije la regulación del bisel en cero y el brazo de inglete a 45 grados. Nuevamente, ubique la madera con el lado plano ancho sobre la mesa y el borde angosto contra el reborde.

Los dos esquemas de la Figura 15 corresponden a objetos de cuatro lados.

Si cambia la cantidad de lados, también cambian los ángulos de bisel e inglete. El siguiente cuadro presenta los ángulos adecuados para diferentes formas.

(En el cuadro se presupone que todos los lados tienen la misma longitud). Para las formas que no figuran en el cuadro, utilice la siguiente fórmula: Divida 180 grados por la cantidad de lados y obtendrá el ángulo de inglete (si el material se corta en forma vertical) o bisel (si el material se corta en posición plana).

- EJEMPLOS -	
CANTIDAD DE LADOS	ÁNGULO DE INGLETE O BISEL
4	45°
5	36°
6	30°
7	25.7°
8	22.5°
9	20°
10	18°

FIG. 17

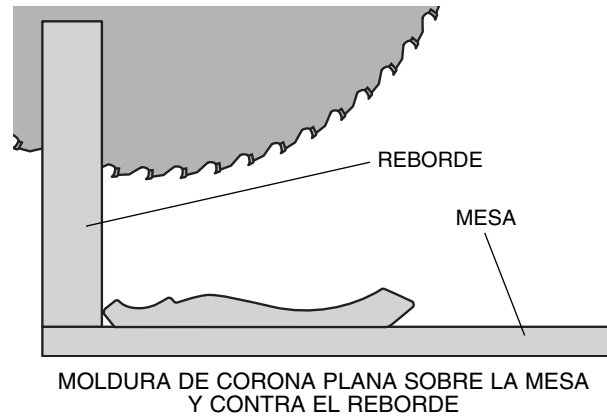


FIG. 18

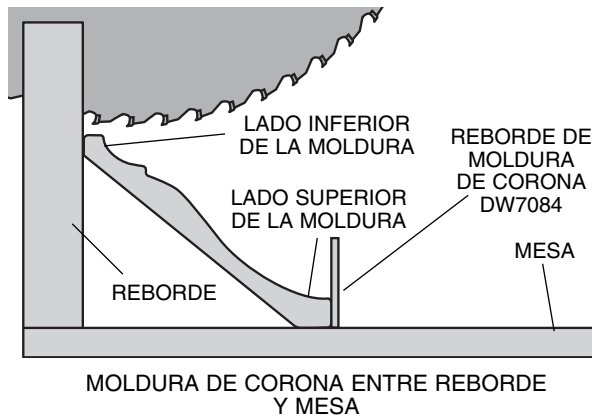


FIG. 19

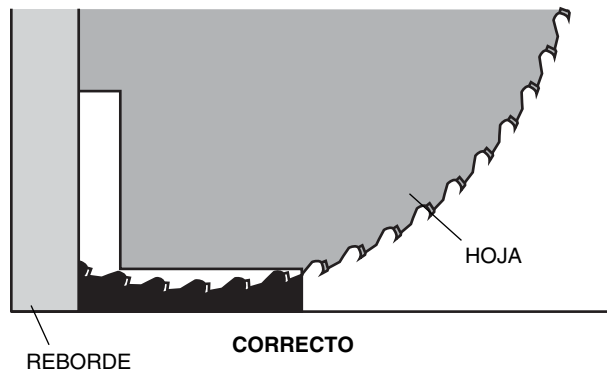
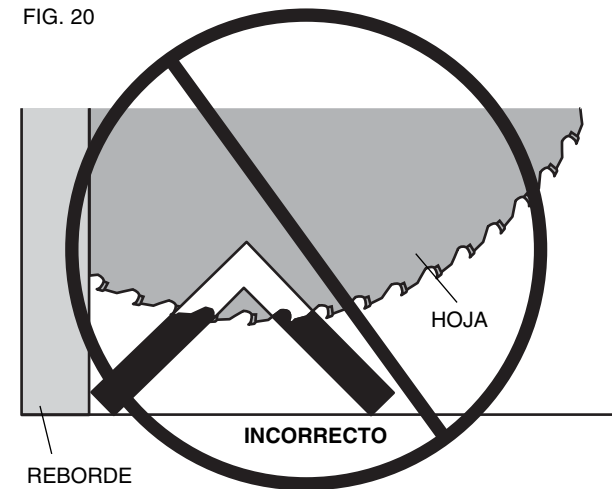


FIG. 20



CORTE DE INGLETES COMPUESTOS

Los ingletes compuestos son cortes que se realizan utilizando un ángulo de inglete y un ángulo de bisel en forma simultánea. Este tipo de corte se utiliza para hacer marcos o cajas con lados inclinados, como el que se muestra en la Figura 16.

NOTA: Si el ángulo de corte varía de corte en corte, controle que la perilla de fijación de bisel y la perilla de bloqueo de inglete estén bien apretadas. Estas perillas se deben apretar después de hacer cualquier cambio de bisel o inglete.

El cuadro de la página 53 le ayudará a elegir las regulaciones de bisel e inglete adecuadas para los cortes de ingletes compuestos. Para utilizar este cuadro, seleccione el ángulo deseado "A" (Figura 16) del proyecto y ubique ese ángulo en el arco apropiado del cuadro. Desde ese punto, siga el cuadro en línea recta hacia abajo hasta encontrar el ángulo de bisel correcto y en línea perpendicular, para encontrar el ángulo de inglete correcto.

Fije la sierra en los ángulos indicados y efectúe algunos cortes de prueba. Practique empalmado las piezas cortadas hasta que se familiarice con este procedimiento y se sienta cómodo.

Ejemplo: Para hacer una caja de cuatro lados con ángulos exteriores de 26 grados (Ángulo A, Figura 15), utilice el arco derecho superior. Busque 26 grados en la escala del arco. Siga la línea de intersección horizontal hacia cualquiera de los lados para obtener la regulación del ángulo de inglete en la sierra (42°). De la misma manera, siga la línea de intersección vertical hacia la parte superior o inferior para obtener la regulación de ángulo de bisel en la sierra (18°). Siempre pruebe los cortes sobre algunas piezas de madera de descarte para verificar las regulaciones de la sierra.

CORTE DE MOLDURAS DE BASE

SIEMPRE ENSAYE CON LA SIERRA APAGADA ANTES DE REALIZAR CUALQUIER TIPO DE CORTE.

Cortes rectos de 90 grados:

Ubique la madera contra el reborde y sosténgala en posición, como se muestra en la Figura 11. Encienda la sierra, permita que la hoja alcance la velocidad máxima y baje el brazo suavemente a través del corte.

CORTE DE MOLDURAS DE BASE DE HASTA 121 MM (4,75 PULG.) DE ALTURA EN FORMA VERTICAL CONTRA EL REBORDE

Ubique el material como se muestra en la Figura 11.

Todos los cortes se realizan con la parte posterior de la moldura contra el reborde y la parte inferior de la moldura contra la base.

ESQUINA INTERIOR:

Lado izquierdo

1. Inglete izquierdo a 45°
2. Conserve el lado izquierdo del corte

Lado derecho

1. Inglete derecho a 45°
2. Conserve el lado derecho del corte

ESQUINA EXTERNA:

Lado izquierdo

1. Inglete derecho a 45°
2. Conserve el lado izquierdo del corte

Lado derecho

1. Inglete izquierdo a 45°
2. Conserve el lado derecho del corte

Para cortar materiales de hasta 159 mm (6,5 pulg.), siga la descripción anterior.

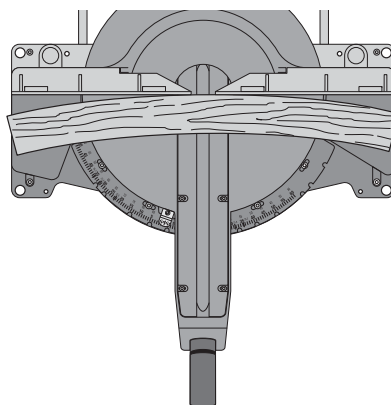
CORTE DE MOLDURAS DE CORONA

La sierra ingletadora es la herramienta más adecuada para las tareas de corte de molduras de corona. Para poder instalar adecuadamente las molduras de corona, los ingletes compuestos se deben regular con suma precisión.

Las dos superficies planas de una pieza de moldura de corona están en ángulos que, cuando se juntan, forman un ángulo de 90 grados exactos. La mayoría de las molduras de corona, aunque no todas, tienen un ángulo posterior superior (la sección que encaja plana contra el techo) a 52 grados y un ángulo posterior inferior (la parte que encaja plana contra la pared) a 38 grados.

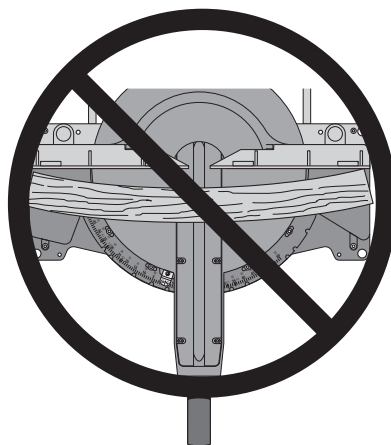
La sierra ingletadora tiene puntos de cerrojo de inglete preestablecidos a 31,62 grados a la izquierda y derecha para cortes de molduras de corona del ángulo adecuado, y seguros de tope de bisel a 33,85 grados a la izquierda y derecha. También hay una marca en la escala de bisel a 33,85 grados.

FIG. 21



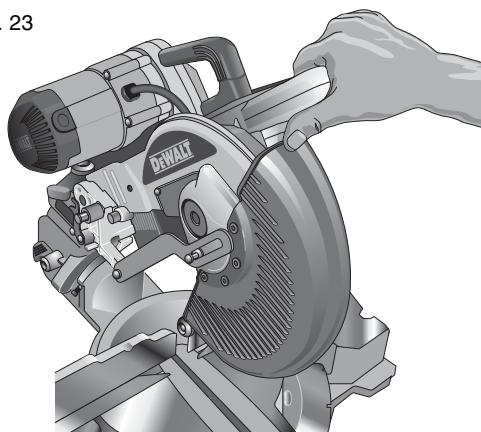
CORRECTO

FIG. 22



INCORRECTO

FIG. 23



El cuadro siguiente presenta las regulaciones adecuadas para los cortes de molduras de corona. (Los números de las regulaciones de inglete y bisel son muy precisos y no son fáciles de regular con precisión en la sierra.) Dado que la mayoría de las habitaciones no tienen ángulos exactos a 90 grados, deberá afinar las regulaciones de todos modos.

¡HACER PRUEBAS CON MATERIAL DE DESCARTE ES MUY IMPORTANTE!

INSTRUCCIONES PARA CORTAR MOLDURAS DE CORONA EN POSICIÓN PLANA Y USANDO LAS FUNCIONES COMPUESTAS

1. La moldura se coloca con la superficie ancha posterior hacia abajo plana sobre la mesa de la sierra (Figura 17).
2. Los siguientes ajustes corresponden a las molduras de corona estándar (EE.UU.) con ángulos de 52 y 38 grados.

CONFIGURACIÓN DE BISEL	TIPO DE CORTE
33,85° izquierda	LADO IZQUIERDO, ESQUINA INTERIOR: 1. Parte superior de la moldura contra el reborde 2. Mesa de inglete a 31,62° a la derecha 3. Conserve el extremo izquierdo del corte
33,85° derecha	LADO DERECHO, ESQUINA INTERIOR: 1. Parte superior de la moldura contra el reborde. 2. Mesa de inglete a 31,62° izquierda 3. Conserve el extremo derecho del corte
33,85° derecha	LADO IZQUIERDO, ESQUINA EXTERNA: 1. Parte superior de la moldura contra el reborde. 2. Mesa de inglete a 31,62° izquierda 3. Conserve el extremo izquierdo del corte
33,85° izquierda	LADO DERECHO, ESQUINA EXTERIOR: 1. Parte superior de la moldura contra el reborde 2. Mesa de inglete a 31,62° a la derecha 3. Conserve el extremo derecho del corte

Cuando fije los ángulos de bisel e inglete para todos los ingletes compuestos, recuerde que:

Los ángulos presentados para las molduras de corona son muy precisos y difíciles de fijar con exactitud. Dado que los ángulos se pueden alterar con facilidad, y dado que pocas habitaciones forman esquinas en escuadra exacta, todos los ajustes deben probarse en molduras de descarte.

¡HACER PRUEBAS CON MATERIAL DE DESCARTE ES MUY IMPORTANTE!

MÉTODO ALTERNATIVO PARA CORTAR MOLDURAS DE CORONA

Coloque la moldura sobre la mesa en ángulo entre el reborde y la mesa de la sierra, como se muestra en la Figura 18. Se recomienda utilizar el accesorio de reborde para moldura (DW7084), por su grado de precisión y comodidad. Puede comprar el accesorio de reborde para molduras de corona en el distribuidor de su localidad.

La ventaja de cortar molduras de corona con este método es que no requiere ningún corte biselado. Se pueden realizar cambios minuciosos en el ángulo del inglete sin afectar el ángulo de bisel. De esta forma, cuando se encuentran esquinas que no tienen 90 grados, la sierra se puede regular rápida y fácilmente. Utilice el accesorio de reborde para molduras de corona para mantener el ángulo en el que estará la moldura sobre la pared.

INSTRUCCIONES PARA CORTES DE MOLDURAS DE CORONA CON ÁNGULO ENTRE EL REBORDE Y LA BASE DE LA SIERRA PARA TODOS LOS CORTES:

1. Coloque en ángulo la moldura de manera que la parte inferior de la moldura (la que va contra la pared cuando está instalada) quede contra el reborde y la parte superior de la moldura se apoye sobre la base de la sierra, como se muestra en la Figura 18.
2. Las "partes planas" anguladas de la parte posterior de la moldura deben apoyarse en escuadra sobre el reborde y la base de la sierra.

ESQUINA INTERIOR:

Lado izquierdo

1. Inglete derecho a 45°
2. Conserve el lado derecho del corte

Lado derecho

1. Inglete izquierdo a 45°
2. Conserve el lado izquierdo del corte

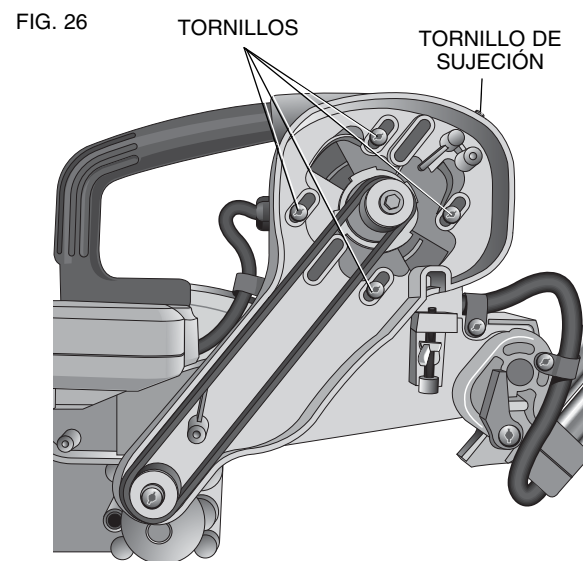
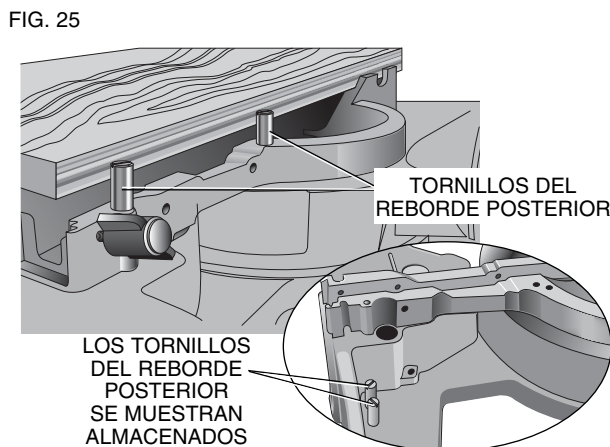
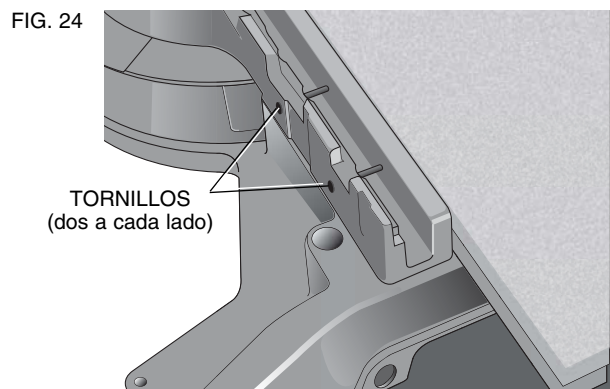
ESQUINA EXTERNA:

Lado izquierdo

1. Inglete izquierdo a 45°
2. Conserve el lado derecho del corte

Lado derecho

1. Inglete derecho a 45°
2. Conserve el lado izquierdo del corte



Cortes especiales

NUNCA REALICE CORTES SIN QUE EL MATERIAL ESTÉ BIEN SUJETO A LA MESA Y CONTRA EL REBORDE.

CORTE DE ALUMINIO

UTILICE SIEMPRE HOJAS DE SIERRA ADECUADAS, FABRICADAS ESPECÍFICAMENTE PARA CORTAR ALUMINIO. Las puede conseguir en el comercio minorista DEWALT de su localidad o en el centro de servicios DEWALT. Determinadas piezas de trabajo, debido a su tamaño, forma o acabado de superficie pueden requerir el uso de una abrazadera o sujeción para evitar movimientos durante el corte. Ubique al material de manera de cortar la sección más delgada, como se muestra en la Figura 19. La Figura 20 muestra la forma incorrecta de cortar estas extrusiones. Utilice un lubricante de corte de cera en barra cuando corte aluminio. Aplique el lubricante de corte de cera en barra directamente en la hoja de la sierra antes de cortar. Nunca aplique cera en barra en una hoja en movimiento.

La cera, disponible en la mayoría de las ferreterías y en los comercios de abastecimiento para talleres industriales, ofrece la lubricación adecuada y evita que las rebabas se adhieran a la hoja.

Asegúrese de sujetar bien la pieza de trabajo en forma adecuada. En la página 40 encontrará la hoja de sierra correcta.

MATERIAL CURVADO

Cuando corte material curvado, siempre colóquelo como se muestra en la Figura 21 y nunca como se muestra en la Figura 22. La colocación incorrecta del material puede provocar que se pellizque la hoja cerca de la finalización del corte.

CORTES DE CAÑOS PLÁSTICOS U OTROS MATERIALES REDONDOS

Los caños de plástico se pueden cortar fácilmente con la sierra. **SE CORTAN COMO MADERA Y SE SUJETAN O SOSTIENEN FIRMEMENTE AL REBORDE PARA EVITAR QUE RUEDEN.** Esto es muy importante cuando se realizan cortes en ángulo.

CORTE DE MATERIALES GRANDES

Puede ocurrir que usted deba cortar una pieza de madera demasiado grande y que no entre debajo del protector de la hoja. De ser así, simplemente coloque su pulgar derecho en la parte superior del protector y enróllelo hacia arriba lo suficiente para despejar la pieza de trabajo según se muestra en la Figura 23. Evite hacer esto con demasiada frecuencia, pero si es necesario, la sierra funcionará correctamente y realizará el corte más grande. **NUNCA ATE, COLOQUE CINTA O MANTENGA ABIERTO EL PROTECTOR MIENTRAS OPERA ESTA SIERRA.**

CONFIGURACIÓN ESPECIAL PARA CORTES TRANSVERSALES ANCHOS

La sierra puede cortar piezas de trabajo muy anchas (de hasta 391 mm [15,4 pulg.]) cuando se utiliza una configuración especial. Para configurar la sierra para cortar estas piezas de trabajo, siga los siguientes pasos:

1. Retire ambos rebordes deslizantes, izquierdo y derecho, de la sierra y déjelos a un lado. Para retirarlos, desenrosque las perillas del reborde varias veces y deslice cada reborde hacia fuera. Ajuste y bloquee el control de inglete de manera tal que quede a 0 grados de inglete.
2. Retire los tornillos del reborde posterior del pie trasero derecho y ajústelos en los orificios para tornillos del reborde derecho (Fig. 25).

▲ ADVERTENCIA: No corte el material con la configuración especial sin haber antes colocado correctamente los tornillos del reborde posterior; de lo contrario, el material no quedará ajustado correctamente y puede causar la pérdida de control del material y posibles lesiones.

3. Realice una plataforma usando una pieza de 38 mm (1,5 pulg.) de espesor de una placa de partículas o madera espesa similar plana y fuerte de 38 mm, con las siguientes dimensiones: 368 x 660 mm (14,5 pulg. x 26 pulg.). La plataforma debe ser plana, de lo contrario el material se podría mover durante el corte y provocar lesiones.
4. Monte la plataforma de 368 x 660 mm en la sierra usando cuatro tornillos para madera de tres pulgadas de largo a través de los orificios en el reborde de la base (Fig. 24). Se deben usar cuatro tornillos para sujetar adecuadamente el material. Cuando se utiliza la configuración especial, la plataforma se cortará en dos piezas. Asegúrese de que los tornillos estén ajustados adecuadamente, de lo contrario el material se aflojará y podría provocar lesiones. Asegúrese de que la plataforma sea plana y esté firme sobre la mesa, contra el reborde y centrada en forma pareja de izquierda derecha.

▲ ADVERTENCIA: Asegúrese de que la sierra esté montada firmemente en una superficie plana estable. De lo contrario, la sierra quedaría inestable y se podría caer, provocando lesiones personales.

5. Coloque la pieza de trabajo que se cortará sobre la plataforma montada en la mesa. Asegúrese de que la pieza de trabajo esté firme contra los tornillos del reborde posterior. (Fig. 25).
6. Sujete el material antes de cortar. Corte el material lentamente, empleando un movimiento hacia a fuera, abajo y hacia atrás. Si el material no está bien sujeto o si no se corta lentamente, se podría aflojar y provocar lesiones.

Una vez que se han hecho varios cortes en otros ángulos de inglete diferentes a 0 grado, la plataforma puede aflojarse y no soportar adecuadamente el trabajo. Instale una nueva plataforma sin uso en la sierra después de predefinir el ángulo de inglete necesario.

▲ ATENCIÓN: El uso continuo de una plataforma con varios cortes podría resultar en la pérdida del control del material y en posibles lesiones.

Continued use of a platform with several kerfs may cause loss of material control and possible injury.

Retiro y reemplazo de la correa

La correa está diseñada para durar toda la vida útil de la herramienta. Sin embargo, el abuso de la herramienta podría provocar que falle la correa.

Si la hoja no se activa cuando el motor está funcionando, significa que la correa no funciona. Para inspeccionar o reemplazar la correa, retire los tornillos de la cubierta de la correa. Retire la cubierta de la correa. Inspeccione las costillas de la correa para ver si están desgastadas o fallan. Controle la tensión de la correa apretándola como se muestra en la Figura 26. Las mitades de la correa deberían casi tocarse cuando se las aprieta firmemente con el pulgar y el índice. Para ajustar la tensión, afloje, pero no retire, los cuatro tornillos con cabeza Phillips. Luego rote el tornillo de sujeción que está en la parte superior de la placa del motor hasta lograr la tensión adecuada. Apriete los cuatro tornillos firmemente y reemplace la cubierta de la correa.

NOTA: Si la correa está excesivamente ajustada, puede provocar la falla prematura del motor.

Mantenimiento

No utilice los lubricantes o los limpiadores (particularmente aerosol) en la vecindad del protector plástico. El material del polycarbonato usado en el protector está conforme a ataque al lado de ciertos productos químicos.

1. Todos los rodamientos están sellados. Están lubricados de por vida y no necesitan más mantenimiento.
2. Regularmente quite el polvo y las astillas de madera de alrededor Y DEBAJO de la base y la mesa giratoria. Si bien hay ranuras para permitir que pasen los residuos, siempre se acumula algo de polvo.
3. Los cepillos están diseñados para durar varios años. Si alguna vez los tiene que reemplazar, siga las instrucciones que se brindan en la página 44 o lleve la herramienta a reparar al centro de servicios más cercano. En el embalaje de la herramienta encontrará el listado de los centros de servicio y sus direcciones.

Reparaciones

Para asegurar la SEGURIDAD y la CONFIABILIDAD del producto, las reparaciones, el mantenimiento y los ajustes deben ser realizados por personal de mantenimiento calificado de un centro de servicio de fábrica DEWALT O

UN CENTRO DE SERVICIO AUTORIZADO DEWALT. Utilice siempre piezas de repuesto idénticas.

Póliza de Garantía

IDENTIFICACIÓN DEL PRODUCTO:

Sello o firma del Distribuidor.

Nombre del producto: _____ Mod./Cat.: _____

Marca: _____ Núm. de serie: _____

(Datos para ser llenados por el distribuidor)

Fecha de compra y/o entrega del producto: _____

Nombre y domicilio del distribuidor donde se adquirió el producto: _____

Este producto está garantizado por un año a partir de la fecha de entrega, contra cualquier defecto en su funcionamiento, así como en materiales y mano de obra empleados para su fabricación. Nuestra garantía incluye la reparación o reposición del producto y/o componentes sin cargo alguno para el cliente, incluyendo mano de obra, así como los gastos de transportación razonablemente erogados derivados del cumplimiento de este certificado.

Para hacer efectiva esta garantía deberá presentar su herramienta y esta póliza sellada por el establecimiento comercial donde se adquirió el producto, de no contar con ésta, bastará la factura de compra.

EXCEPCIONES.

Esta garantía no será válida en los siguientes casos:

- Cuando el producto se hubiese utilizado en condiciones distintas a las normales;
- Cuando el producto no hubiese sido operado de acuerdo con el instructivo de uso que se acompaña;
- Cuando el producto hubiese sido alterado o reparado por personas distintas a las enlistadas al final de este certificado.

Anexo encontrará una relación de sucursales de servicio de fábrica, centros de servicio autorizados y franquiciados en la República Mexicana, donde podrá hacer efectiva su garantía y adquirir partes, refacciones y accesorios originales.

Garantía limitada de tres años

DEWALT reparará sin cargo cualquier defecto ocasionado por materiales defectuosos o mano de obra, durante tres años a partir de la fecha de compra. Esta garantía no cubre fallas en las piezas que resulten del desgaste normal de la herramienta o de su utilización inadecuada. Para obtener información detallada sobre la cobertura de la garantía y sobre reparaciones, visite nuestra página Web www.dewalt.com o llame al 1-800-4-DEWALT (1-800-433-9258). Esta garantía no se extiende a los accesorios o a los daños causados por terceros al intentar realizar reparaciones. Esta garantía le concede derechos legales específicos;

usted goza también de otros derechos que varían según el estado o provincia.

Además de la garantía, las herramientas DEWALT están cubiertas por nuestro:

SERVICIO GRATUITO DE 1 AÑO

DEWALT realizará el mantenimiento de la herramienta y reemplazará las piezas gastadas tras el uso normal, sin costo alguno, en cualquier momento durante el primer año después de la compra.

GARANTÍA DE REEMBOLSO DE DINERO DE 90 DÍAS

Si por alguna razón no estuviera plenamente satisfecho con el rendimiento de la herramienta eléctrica, el láser o la clavadora DEWALT, puede devolver el producto dentro de los 90 días siguientes a la fecha de compra acompañado del recibo de compra. De esta manera, se le reintegrará el importe total del producto sin formularle pregunta alguna.

AMÉRICA LATINA: Esta garantía no se aplica a los productos que se venden en América Latina. Para los productos que se venden en América Latina, debe consultar la información de la garantía específica del país que viene en el empaque, llamar a la compañía local o visitar el sitio Web a fin de obtener esa información.

REEMPLAZO GRATUITO DE LAS ETIQUETAS DE ADVERTENCIA: si sus etiquetas de advertencia se tornan ilegibles o faltan, llame al 1-800-4-DEWALT para que se las reemplacen gratuitamente.

PARA REPARACIÓN Y SERVICIO DE SUS HERRAMIENTAS ELÉCTRICAS, FAVOR DE DIRIGIRSE AL CENTRO DE SERVICIO MÁS CERCANO

CULIACAN, SIN Blvd. Emiliano Zapata 5400-1 Poniente Col. San Rafael	(667) 717 89 99
GUADALAJARA, JAL Av. La Paz #1779 - Col. Americana Sector Juárez	(33) 3825 6978
MEXICO, D.F. Eje Central Lázaro Cárdenas No. 18 Local D, Col. Obrera	(55) 5588 9377
MERIDA, YUC Calle 63 #459-A - Col. Centro	(999) 928 5038
MONTERREY, N.L. Av. Francisco I. Madero 831 Poniente - Col. Centro	(818) 375 23 13
PUEBLA, PUE 17 Norte #205 - Col. Centro	(222) 246 3714
QUERETARO, QRO Av. San Roque 274 - Col. San Gregorio	(442) 2 17 63 14
SAN LUIS POTOSI, SLP Av. Universidad 1525 - Col. San Luis	(444) 814 2383
TORREON, COAH Blvd. Independencia, 96 Pte. - Col. Centro	(871) 716 5265
VERACRUZ, VER Prolongación Díaz Mirón #4280 - Col. Remes	(229) 921 7016
VILLAHERMOSA, TAB Constitución 516-A - Col. Centro	(993) 312 5111

PARA OTRAS LOCALIDADES:

Si se encuentra en México, por favor llame al (55) 5326 7100

Si se encuentra en U.S., por favor llame al

1-800-433-9258 (1-800 4-DEWALT)

Especificaciones

DW717

Tensión de alimentación:	120 V AC ~
Consumo de corriente:	15 A
Frecuencia de alimentación:	60 Hz
Potencia nominal:	1 600 W
Rotación sin carga:	3 600/min

IMPORTADOR: DEWALT S.A. DE C.V.
BOSQUES DE CIDROS ACCESO RADIATAS NO. 42
COL. BOSQUES DE LAS LOMAS, 3A. SECCIÓN, CP 05120
DELEGACIÓN CUAJIMALPA, MÉXICO, D.F.

TEL. 5 326 7100

R.F.C.: BDE810626-1W7



Para servicio y ventas consulte
"HERRAMIENTAS ELECTRICAS"
en la sección amarilla.

Notificación de patente

Fabricado debajo de una o más de las patentes siguientes de los Estados Unidos.:

6,823,765	6,101,914	5,907,987	5,375,495
6,810,780	6,035,754	5,862,734	5,285,708
6,520,059,	6,032,563	5,582,089	5,199,343

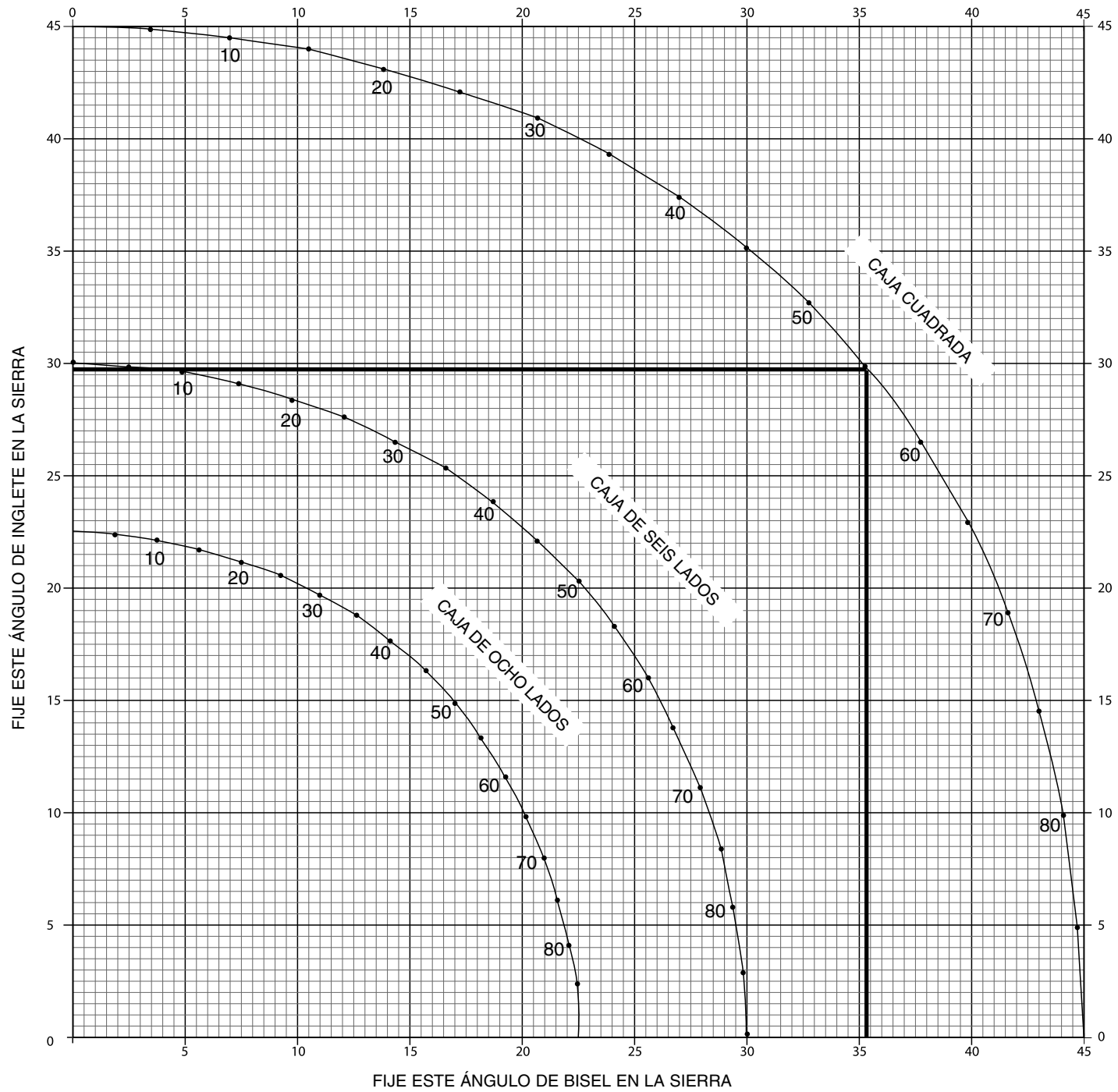
Puede haber otras patentes pendientes.

Guía para solucionar problemas

ASEGÚRESE DE SEGUIR LAS REGLAS E INSTRUCCIONES DE SEGURIDAD

PROBLEMA:	¿QUÉ SUCEDE?	QUÉ HACER...
LA SIERRA NO SE ENCIENDE	1. La sierra no está enchufada	1. Enchufe la sierra
	2. Fusible quemado o interruptor automático activado	2. Reemplace el fusible o reinicie el interruptor automático
	3. Cable dañado	3. Haga cambiar el cable por el centro de mantenimiento autorizado
	4. Cepillos gastados	4. Haga reemplazar los cepillos por el centro de mantenimiento autorizado o reemplácelos usted mismo como se indica en la página 44.
LA SIERRA REALIZA CORTES NO SATISFACTORIOS	1. Hoja sin filo	1. Reemplace la hoja. Consulte la página 42.
	2. Hoja montada al revés	2. Vire la hoja. Consulte la página 42.
	3. Depósitos de goma o grumos de resina sobre la hoja	3. Retire la hoja y límpiela con aguarrás y lana de acero gruesa o limpiador para hornos hogareños.
	4. Hoja incorrecta para el trabajo que se realiza	4. Cambie el tipo de hoja. Consulte la página 40.
LA HOJA NO ALCANZA VELOCIDAD	1. Cable prolongador demasiado liviano o demasiado largo	1. Reemplácelo por un cable de tamaño adecuado. Consulte la página 37.
	2. Baja corriente en el hogar	2. Comuníquese con la empresa de energía eléctrica.
LA MÁQUINA VIBRA EXCESIVAMENTE	1. La sierra no está montada firmemente en el soporte o banco de trabajo	1. Apriete todos los tornillos de montaje. Consulte la página 40.
	2. El soporte o el banco están sobre un piso desparejo	2. Reubique sobre una superficie de nivel plano. Consulte la página 40.
	3. Hoja de sierra dañada	3. Reemplace la hoja. Consulte la página 42.
NO REALIZA CORTES DE INGLETE PRECISOS	1. La escala de inglete no está correctamente regulada	1. Verifique y regule Consulte la página 43.
	2. La hoja no está en escuadra con el reborde	2. Verifique y regule Consulte la página 43.
	3. La hoja no está perpendicular a la mesa	3. Verifique y ajuste el reborde. Consulte la página 43.
	4. La pieza de trabajo se mueve	4. Sujete la pieza de trabajo al reborde o engome un papel de lija de 120 al reborde con cemento para caucho.
EL MATERIAL MUERDE LA HOJA	1. Cortes de material curvado	1. Posicione el material curvado como se muestra en la página 49.

TABLA 1 CORTE DE INGLETE COMPUESTO (Ubique la madera con el lado plano ancho sobre la mesa y el borde angosto contra el reborde.)



DEWALT Industrial Tool Co., 701 East Joppa Road, Baltimore, MD 21286

(JUN08)

Part No. 658046-00

DW717

Copyright © 2008 DEWALT

The following are trademarks for one or more DEWALT power tools: the yellow and black color scheme; the “D” shaped air intake grill; the array of pyramids on the handgrip; the kit box configuration; and the array of lozenge-shaped humps on the surface of the tool.