

HOME

DECORATORS
COLLECTION

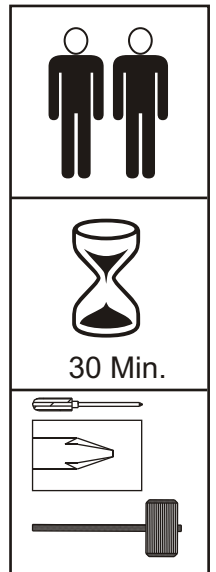
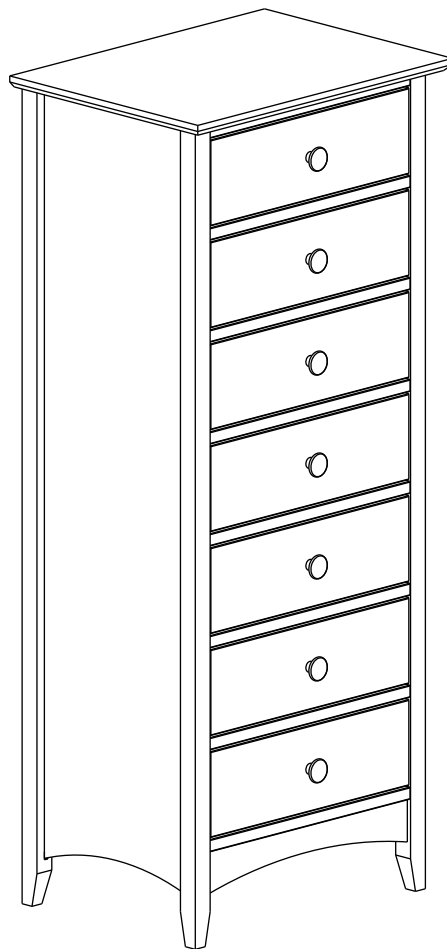
HAWTHORNE 7 DRAWER CHEST 48.5"Hx20"W

SKU # 2048100120R (Dark Cherry)

SKU # 2048100550R (Oak)

SKU # 2048100410R (White)

SKU # 2048100210 (Black)

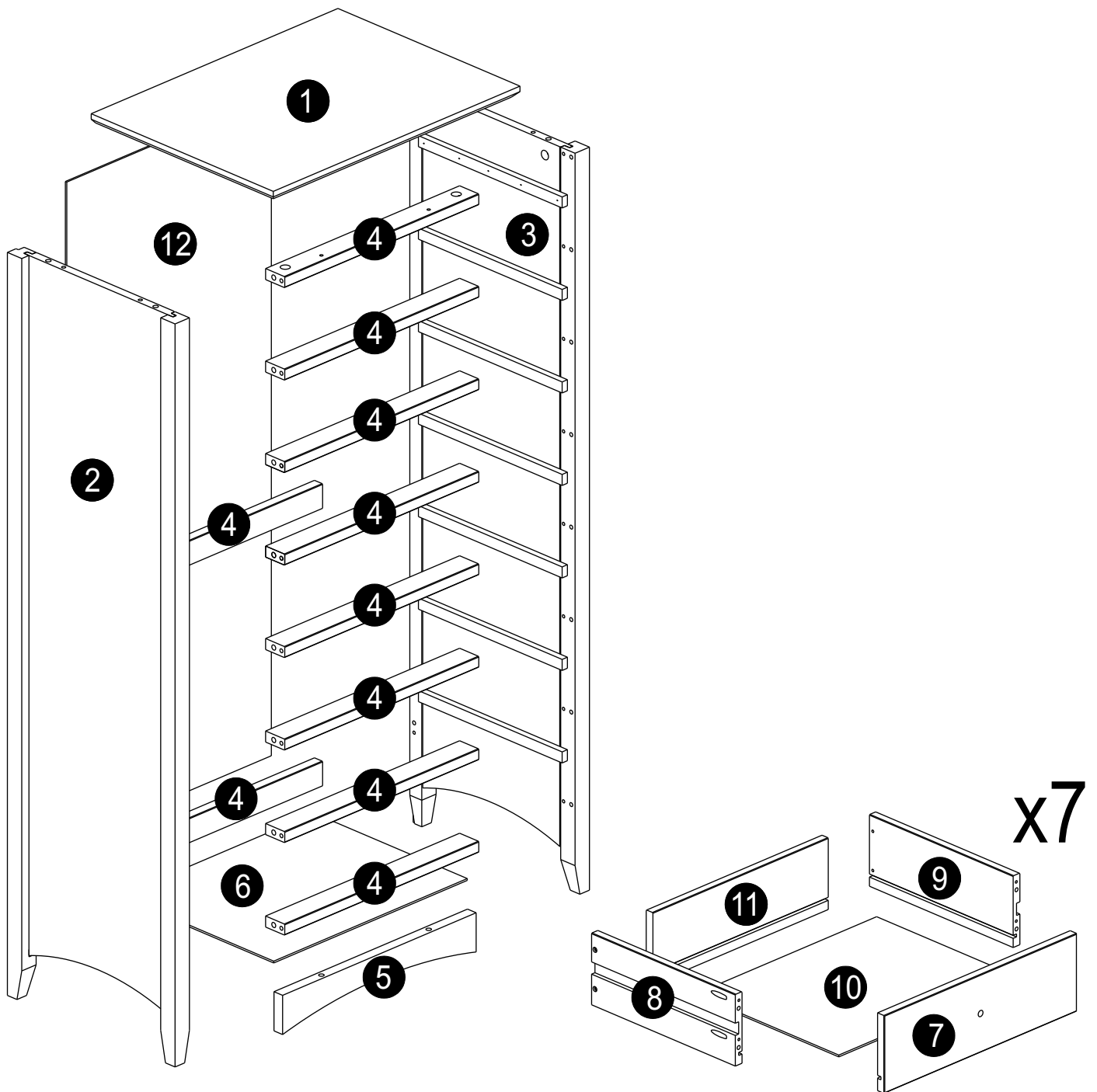


BEFORE BEGINNING ASSEMBLY, CHECK TO MAKE SURE ALL PARTS AND HARDWARE ARE ACCOUNTED FOR.


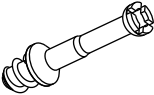

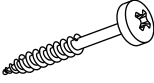
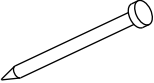
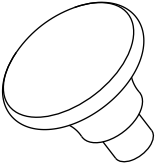
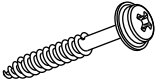
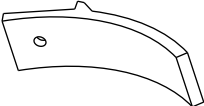

IT IS SUGGESTED THAT YOU SAVE THE CARTON AND PACKING MATERIAL UNTIL AFTER ASSEMBLY IS COMPLETED. SELECT A CLEAN, SMOOTH SURFACE TO WORK (SUCH AS CARPET). THEN, FOLLOW THE EASY STEPS BELOW.

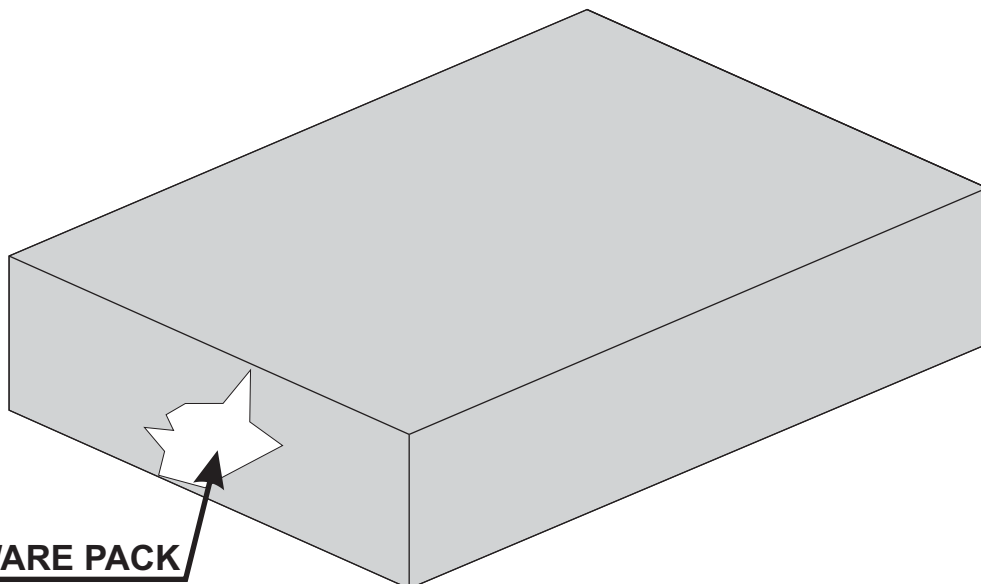
IF PARTS ARE MISSING, PLEASE CALL 1-800-998-7021 FOR INFORMATION.

MADE IN BRAZIL
16 02 08 2



Part#	Qty	Description	Sizes (w x d x h)
1	1	Top	20 1/4" X 14 15/16" X 23/32"
2	1	Left Side	47 3/4" X 13 3/4" X 1 3/16"
3	1	Right Side	47 3/4" X 13 3/4" X 1 3/16"
4	10	Rail	15 15/16" X 1 9/16" X 11/16"
5	1	Front Rail	15 15/16" X 2 1/2" X 11/16"
6	1	Bottom Panel	15 15/16" X 12 5/8" X 1/8"
7	7	Drawer Front	15 13/16" X 5" X 9/16"
8	7	Left Drawer Side	11 13/16" X 4 5/8" X 9/16"
9	7	Right Drawer Side	11 13/16" X 4 5/8" X 9/16"
10	7	Drawer Bottom	14 7/8" X 11 3/4" X 1/8"
11	7	Drawer Back	14 7/16" X 4 5/8" X 9/16"
12	1	Back Panel	14 2/5" X 4 3/5" X 19/32"

A	 1/4" x 1 3/16"	52
B		26
C		26
D	 9/64" x 1 2/5"	56
E	 1/16" x 7/8"	26
F		7
G	 1/8" x 1 1/4"	7
H		7
I	 1/8" x 15/16"	7

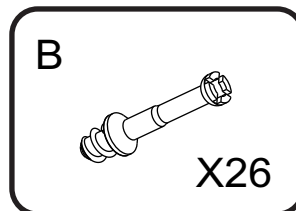
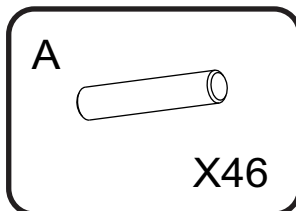
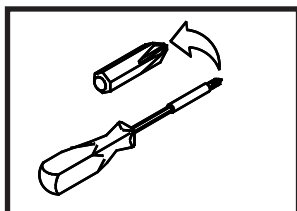
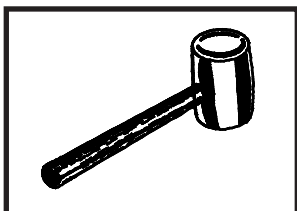
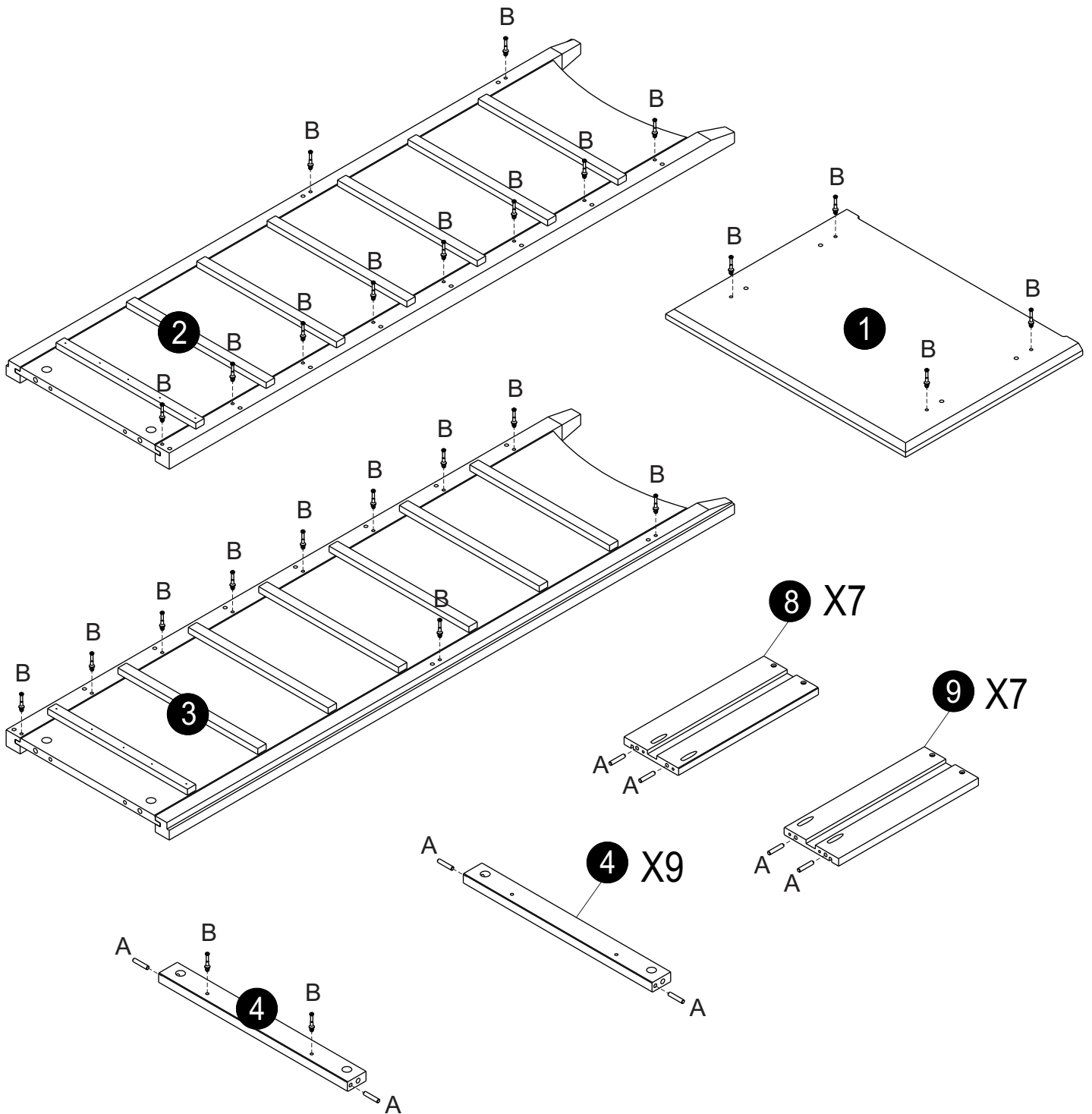


HARDWARE PACK

STEP 1

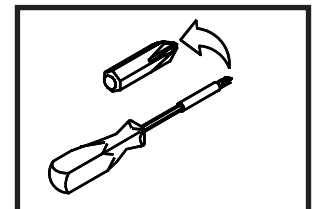
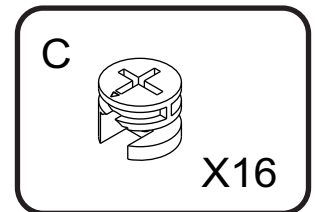
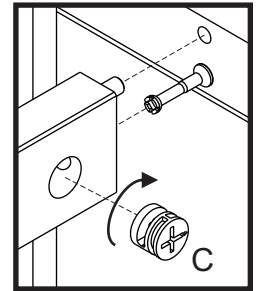
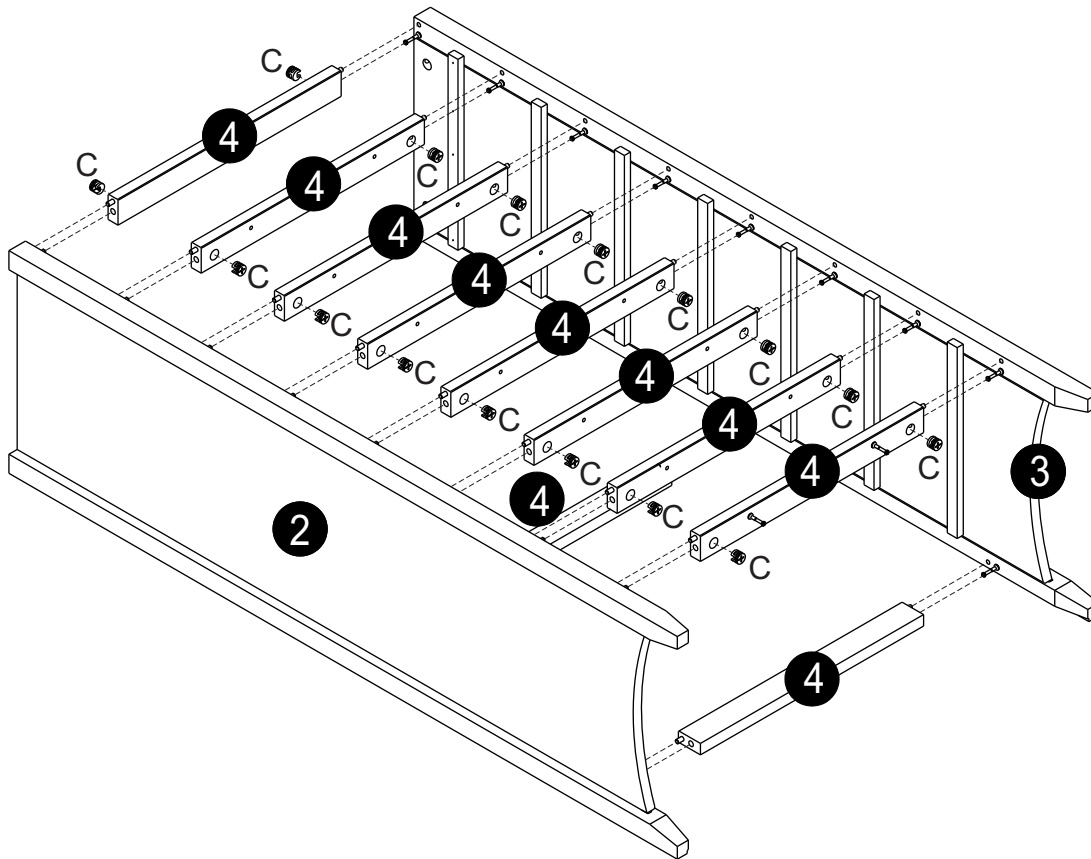
1. Prepare for future assembly by:

- * Insert wood dowels (A) into all drawer sides (7) & (8)
- * Insert wood dowels (A) into all rails (4)
- * screw mini-fix pins (B) into the top panel (1)
- * screw mini-fix pins (B) into the side parts (2) & (3)



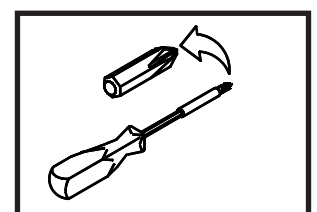
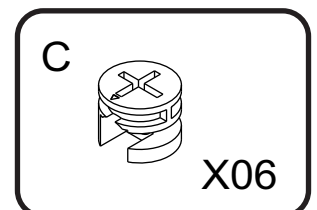
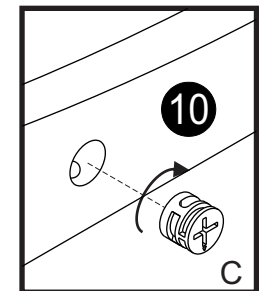
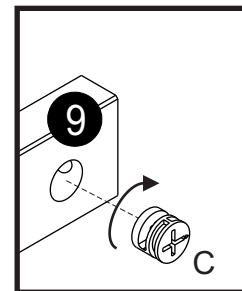
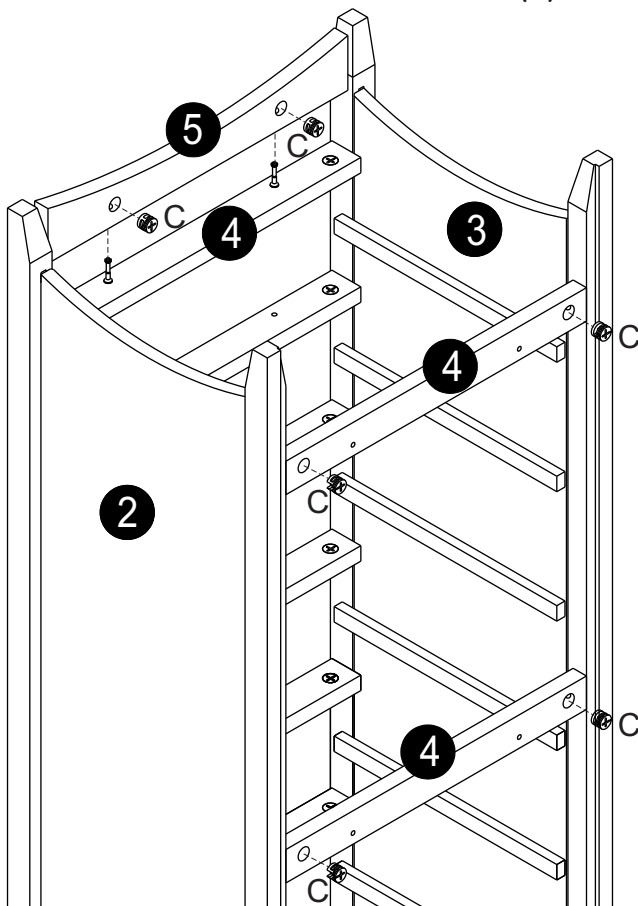
STEP 2

2. Using the dowels and mini-fix pins previously attached in step 1 as guide, assemble the rails (4) to side (2) as shown. Next align and attach the side (3) making sure all dowels and holes are matched up. Secure the rails to the sides using mini-fix drums (C) in a clockwise motion as shown:



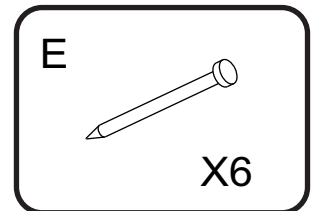
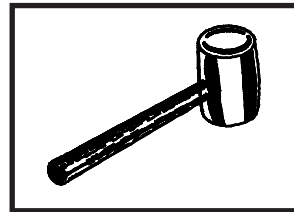
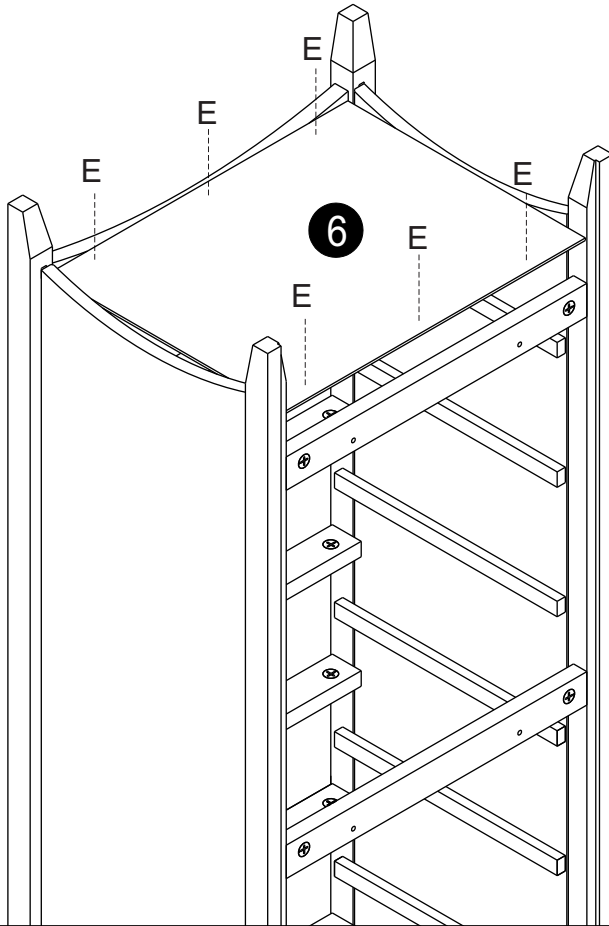
STEP 3

3. Turn your chest upside down, then secure the last rail (4) using mini-fix drums (C). Then attach the front rail (5) to the bottom rail (4) using the mini-fix pins as guides, secure using mini-fix drums (C) as shown.



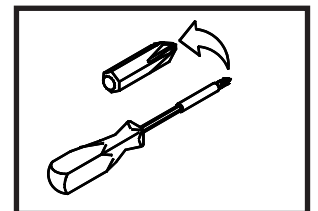
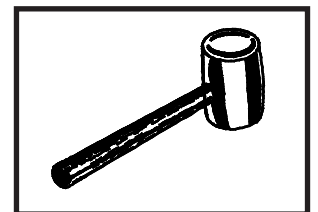
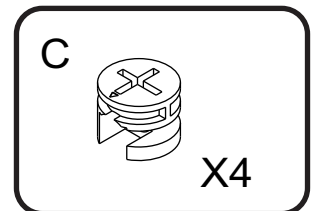
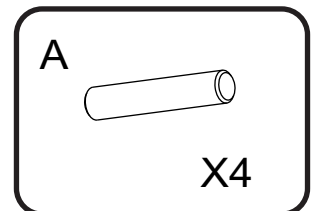
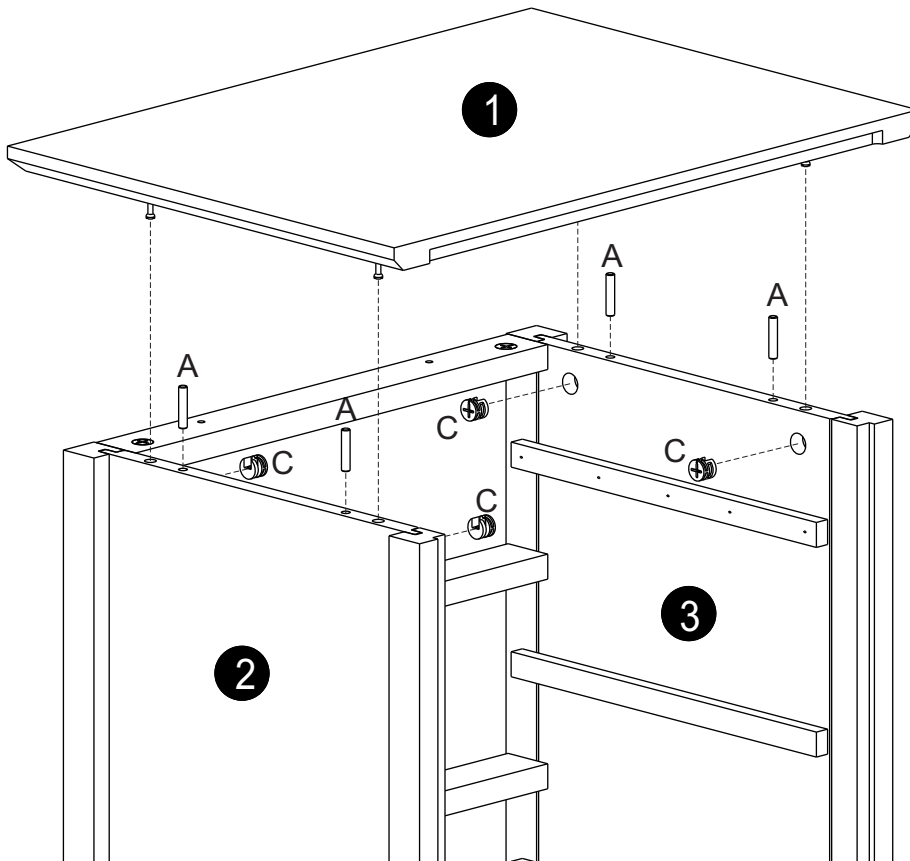
STEP 4

4. Secure the bottom panel (6) using nails (E) as shown.



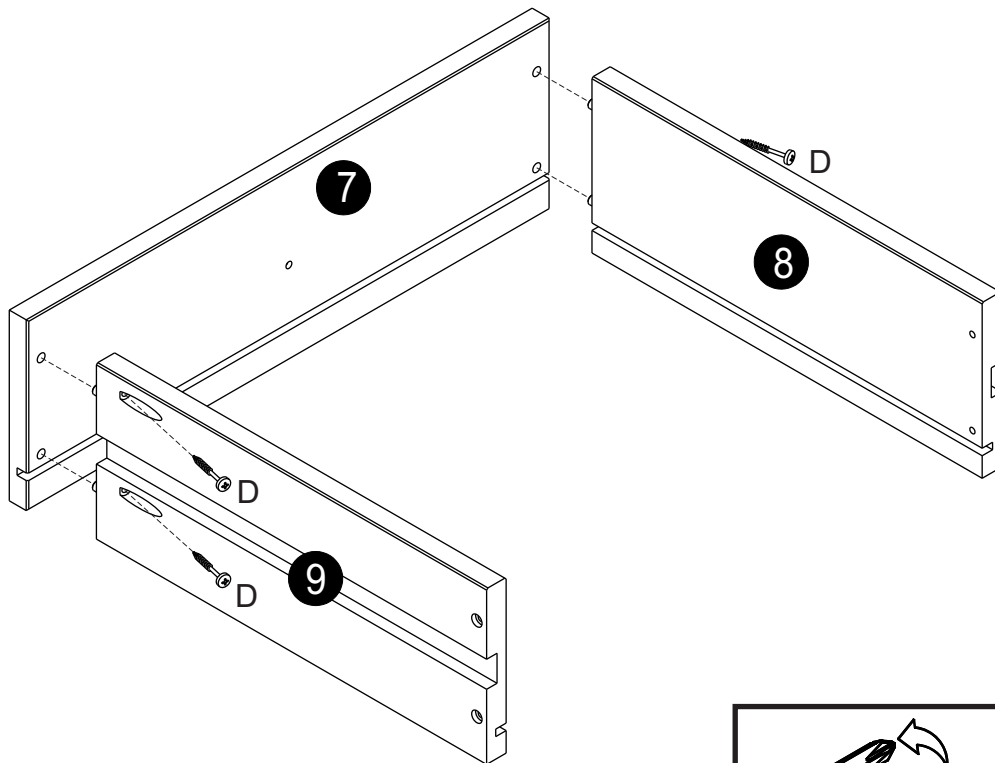
STEP 5

5. Turn your chest upright again, insert wood dowel (A) into the side top holes. Then, attach the top panel (1) and secure using mini-fix drums (C) as shown.

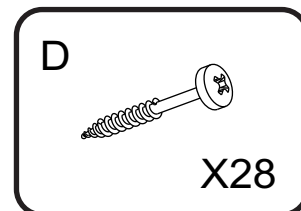
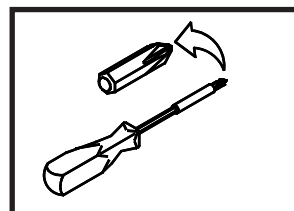


STEP 6

6. Using dowels as your guide, align and attach a left (8) and a right (9) drawer side to a drawer front (7) as shown. Secure using screws (D) as shown.

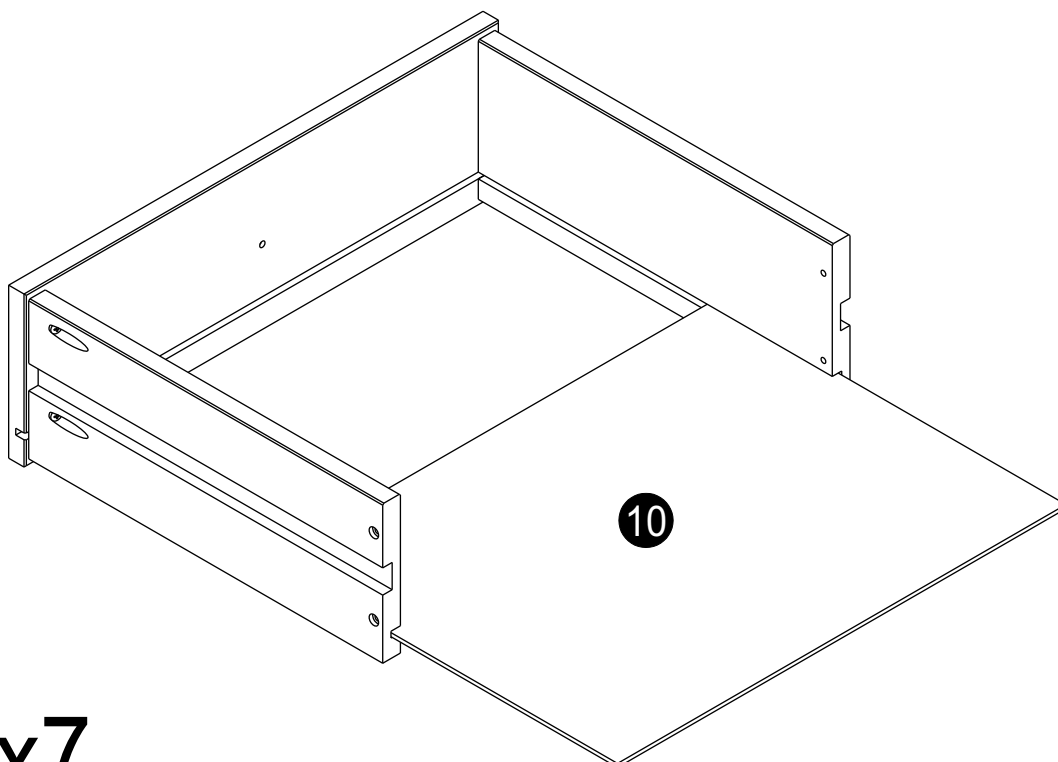


x7



STEP 7

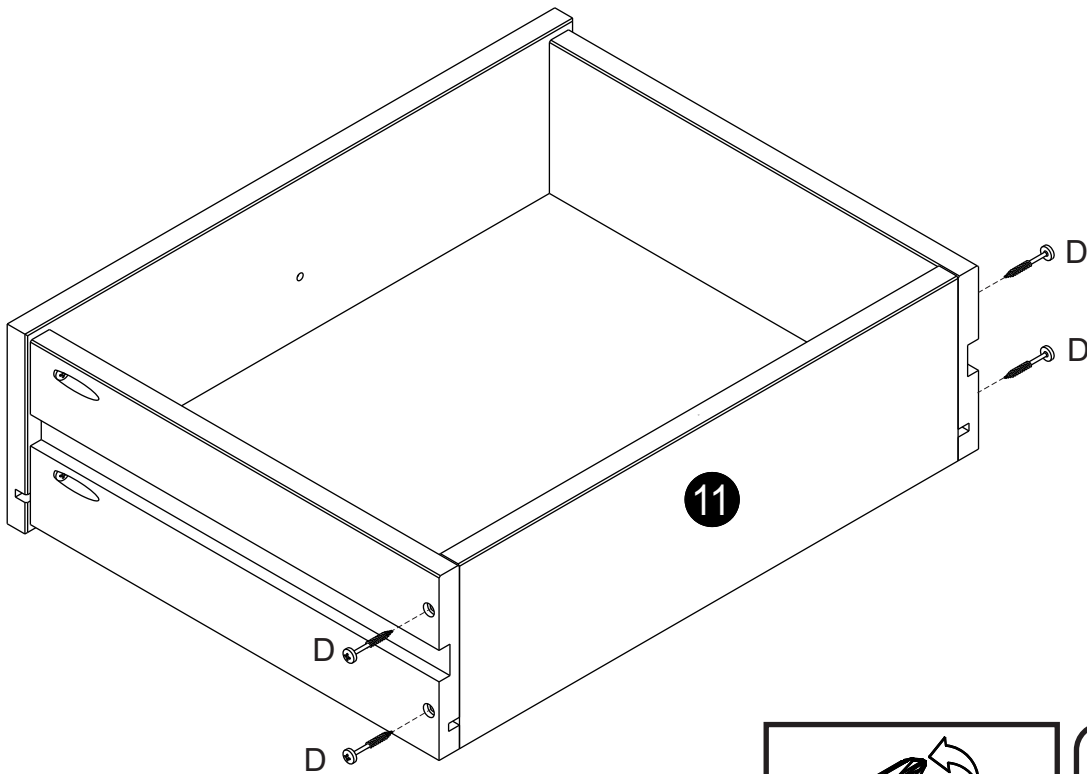
7. Slide in the drawer bottom (10) as shown.



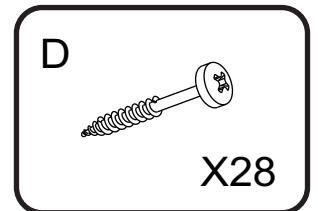
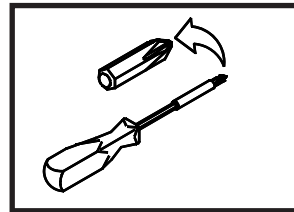
x7

STEP 8

8. Align and attach the drawer back (11) as shown, secure using screws (D).

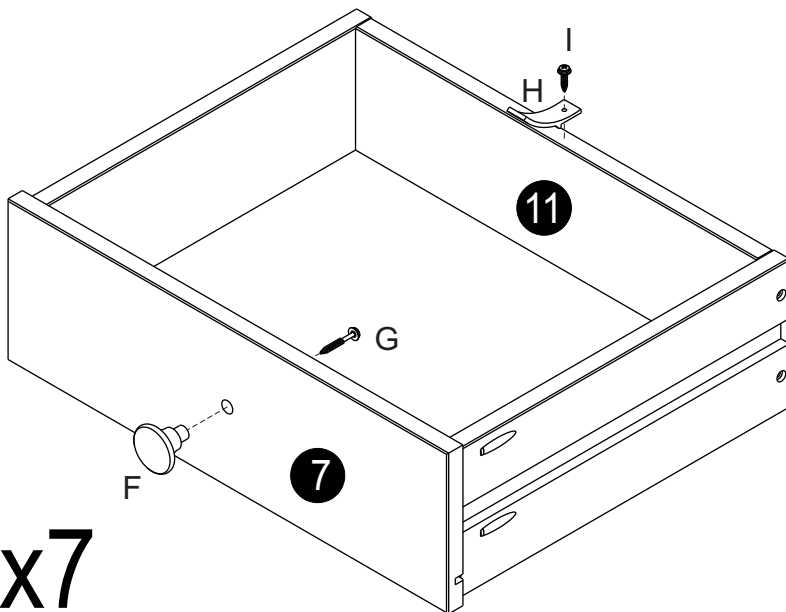


x7

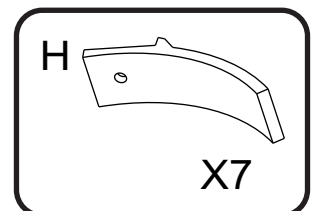
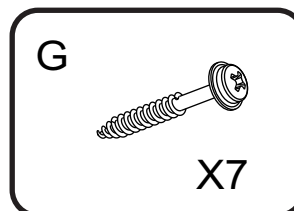
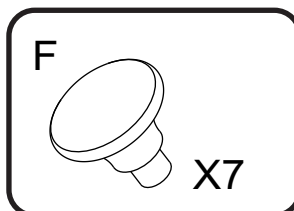
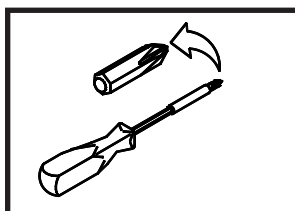
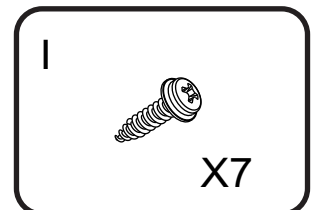
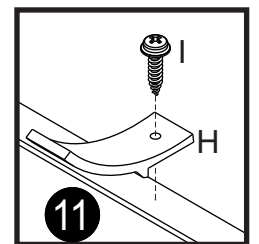


STEP 9

9. Attach the drawer knobs (F) to the drawer front (7) using screws (G) as shown. Then, attach the plastic drawer stop (H) to the drawer back (11) using screw (I) as shown.

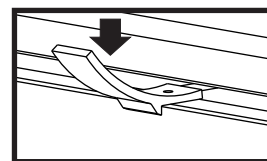
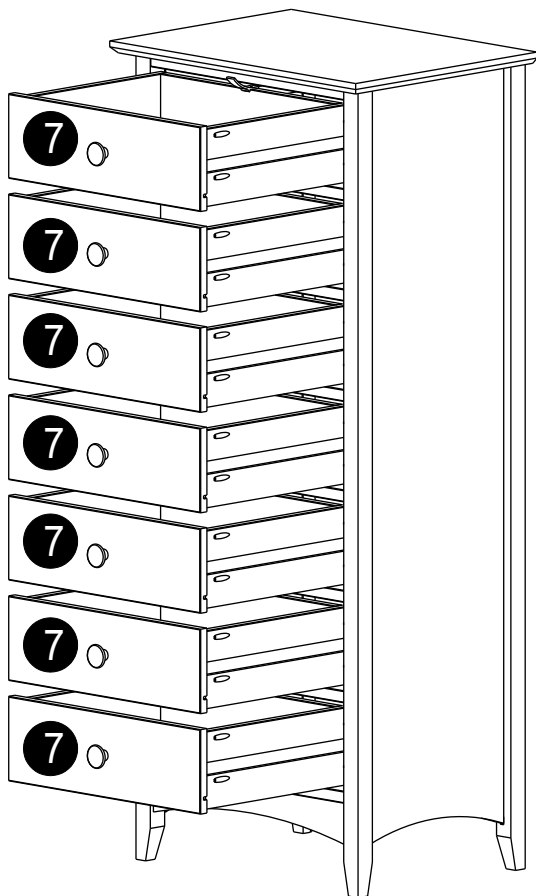


x7



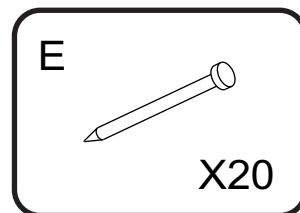
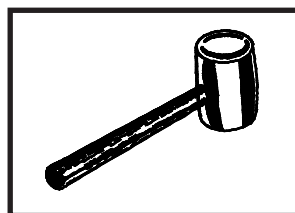
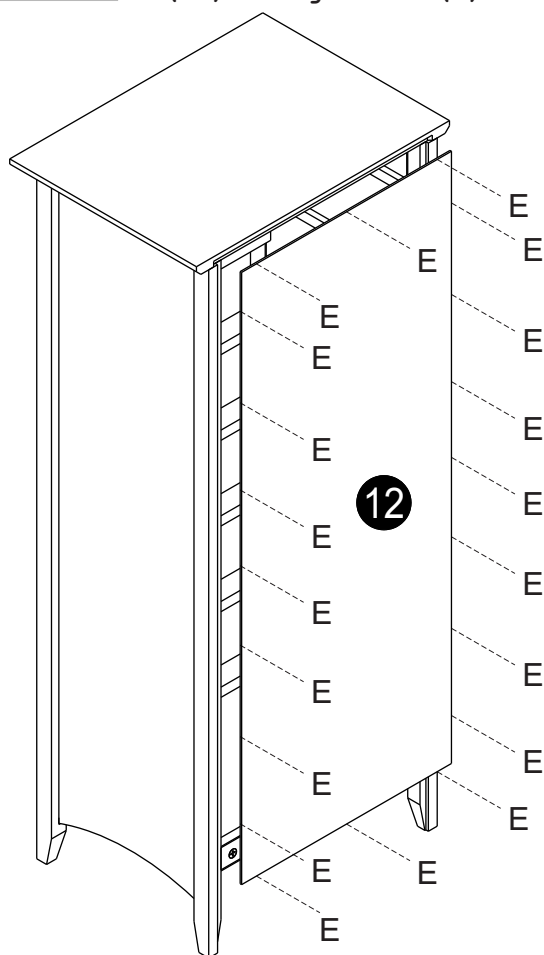
STEP 10

10. Slide in the drawers. To remove the drawer you must press down the drawer stop as shown.



STEP 11




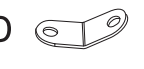

11. Complete the assembly of your nightstand by nailing the back panel (12) using nails (E).

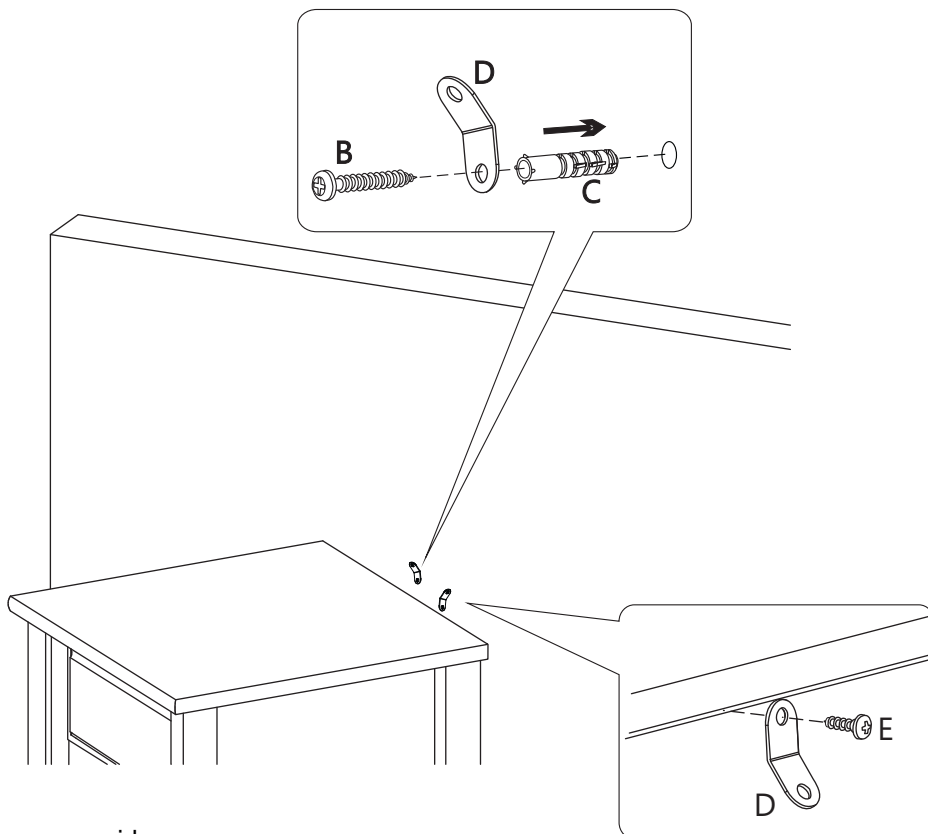


STEP 1

Tipping restraint Instructions

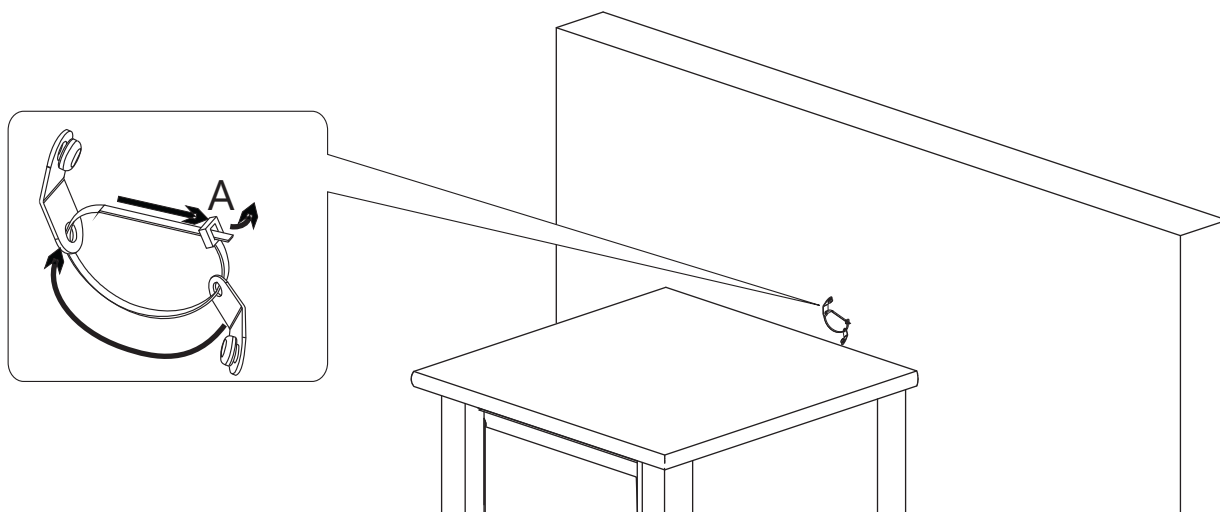
TIPPING RESTRAINT HARDWARE

A 	1
• 1 nylon strap	
B 	1
• 1 1/2" screw	
C 	1
• 1 plastic screw anchor Ø6	
D 	2
• 2 wall brackets	
E 	1
• 1 small screw	



- When properly installed, this hardware can provide protection against the unexpected tipping of furniture.
 - Attach one of the mounting brackets "D" securely to the back top edge of the unit using the short screw "E".
 - Mark the location on the wall for mounting the second bracket "D".
- Drill the appropriate sized hole in the wall and insert the plastic screw anchor "C". Then secure the bracket to the wall using screw "B".
- Place the unit so the bracket on the back edge of unit is in line with the bracket on the wall.

STEP 2



- Lace the end of the nylon restraint strap "A" through each bracket. Bring both ends together and slide the beaded end of the strap through the keyhole shaped slot on the other end. Pull down on the beaded end until it snap-locks into the keyhole.
- Check to make sure the strap is securely laced and locked to the brackets.