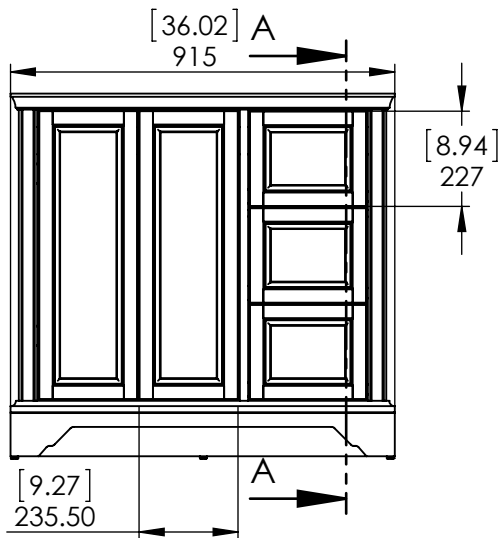
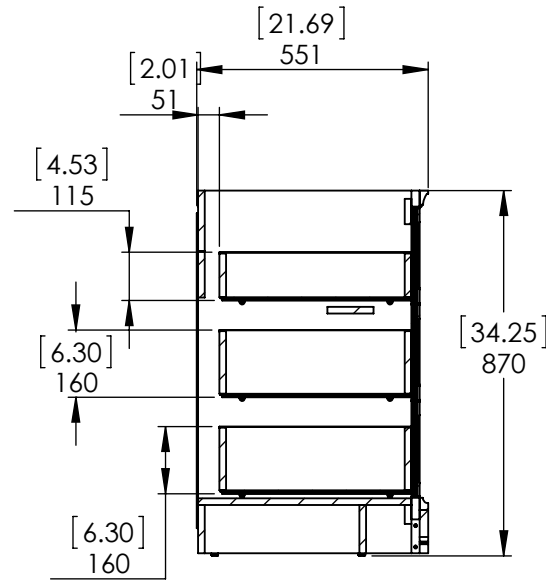


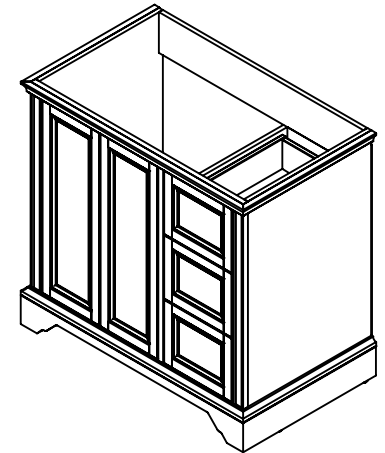
Top View



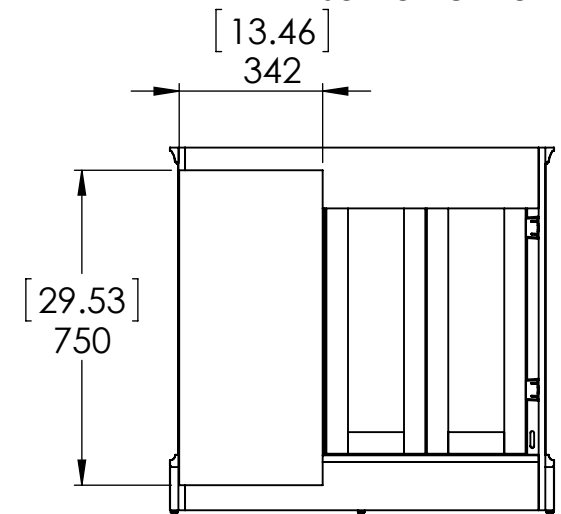
Front View



SECTION A-A
SCALE 1 : 18



Isometric View



Back View

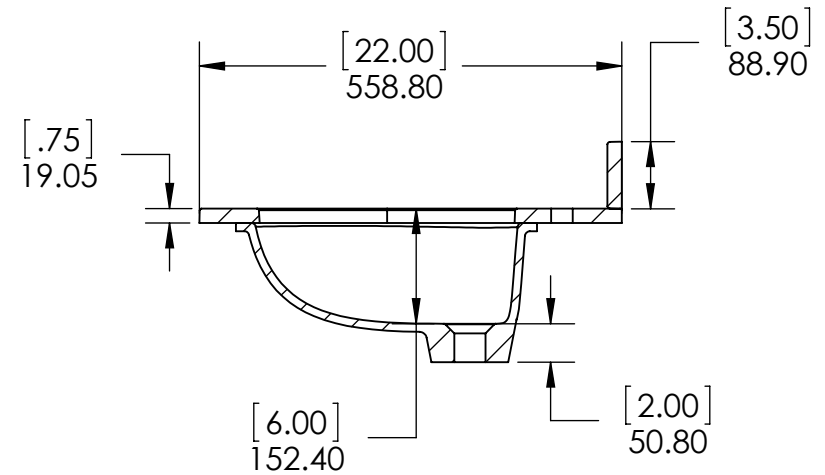
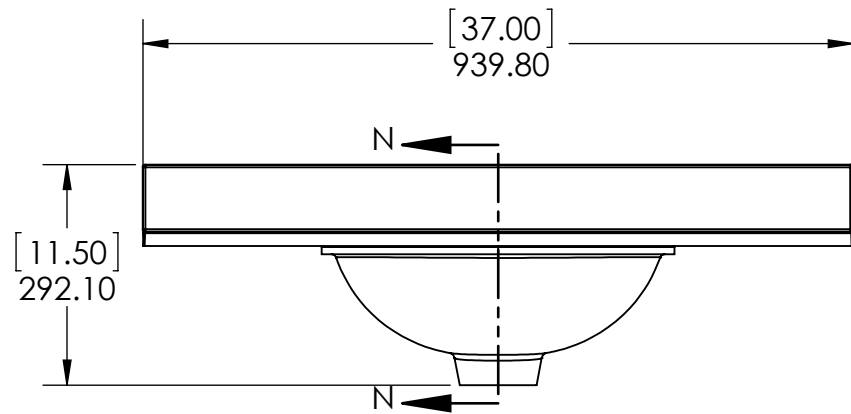
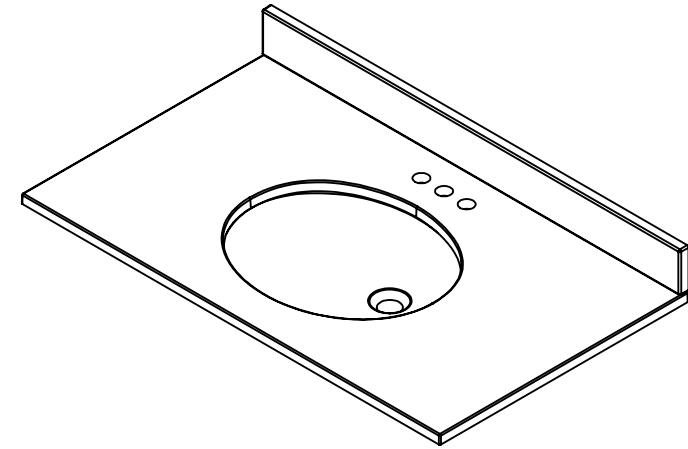
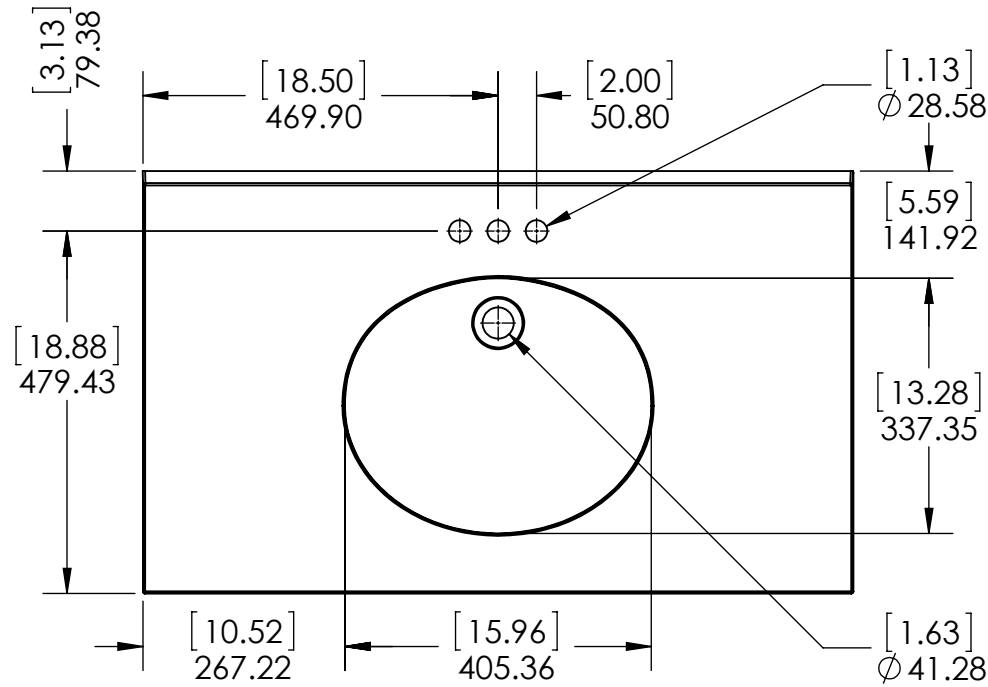


| | | | |
|-------|---|-----|----------|
| ITEM: | SF36-WH SF36-CH | REV | A |
| | SF36-ST SF36-CR | | |
| NAME: | Stratfield 36in-White/ Sterling/ Chocolate/Cream | | |

| | | |
|------------|--------|------------------------|
| DRW: | ARB | 01/23/18 |
| REV: | ING | 01/23/18 |
| APP: | R&D | 01/23/18 |
| SCALE 1:18 | MODEL: | Stratfield 36in |

| | |
|-----------|--|
| MATERIAL: | German Beech 4/4 Laminated Particle Board |
|-----------|--|

| Rev # | Approved by | Change |
|-------|-------------|-----------------------|
| 0 | R. Rubio | Released |
| 1 | O. Razo | New color and profile |
| | | |



PROPRIETARY AND CONFIDENTIAL
 THE INFORMATION CONTAINED IN THIS DRAWING IS THE SOLE PROPERTY OF WOODCRAFTERS. ANY REPRODUCTION IN PART OR AS A WHOLE WITHOUT THE WRITTEN PERMISSION OF WOODCRAFTERS IS PROHIBITED.

UNLESS OTHERWISE SPECIFIED
 DIMENSIONS ARE IN INCHES AND [MM]
 TOLERANCES ARE
 +0.125 [3.175] -0.125 [-3.175]
 SCALE:1:10

| | NAME | DATE |
|-----------|----------|----------|
| DRAWN | R. Rubio | 08/22/16 |
| CHECKED | R. Rubio | 08/22/16 |
| ENG APPR. | R. Rubio | 08/22/16 |
| MFG APPR. | C. Leal | 08/22/16 |

Wood Crafters
 Vtop Stone Effect, Oval 37x22
 SIZE DWG. NO. A
 SHEET 1 OF 2
 REV. 1

| ID | Description | Technology | Status |
|----------|-------------------------------------|--------------|-------------------------|
| SE37O-PR | Vtop Oval 37x22 SE Pulsar 4in | Stone Effect | Approved for production |
| SE37O-MG | Vtop Oval 37x22 SE Mineral Gray 4in | Stone Effect | Approved for production |
| SE37O-WM | Vtop Oval 37x22 SE Winter Mist 4in | Stone Effect | Approved for production |
| SE37O-CO | Vtop Oval 37x22 SE Cold Fusion 4in | Stone Effect | Approved for production |
| SE37O-DN | Vtop Oval 37x22 SE Dune 4in | Stone Effect | Approved for production |
| SE37O-RU | Vtop Oval 37x22 SE Rustic Gold 4in | Stone Effect | Approved for production |

| Rev # | Approved by | Change |
|-------|-------------|-----------------------|
| 0 | R. Rubio | Released |
| 1 | O. Razo | New color and profile |
| | | |

PROPRIETARY AND CONFIDENTIAL
 THE INFORMATION CONTAINED IN THIS DRAWING IS THE SOLE PROPERTY OF WOODCRAFTERS. ANY REPRODUCTION IN PART OR AS A WHOLE WITHOUT THE WRITTEN PERMISSION OF WOODCRAFTERS IS PROHIBITED.

UNLESS OTHERWISE SPECIFIED
 DIMENSIONS ARE IN INCHES AND [MM]
 TOLERANCES ARE
 + 0.125 [3.175] - 0.125 [-3.175]
 SCALE:1:10

| | NAME | DATE |
|-----------|----------|----------|
| DRAWN | R. Rubio | 08/22/16 |
| CHECKED | R. Rubio | 08/22/16 |
| ENG APPR. | R. Rubio | 08/22/16 |
| MFG APPR. | C. Leal | 08/22/16 |

| | | |
|---|-------------------------------|--------------|
|  | | SHEET 2 OF 2 |
| SIZE | DWG. NO. | REV. |
| A | Vtop Stone Effect, Oval 37x22 | 1 |