

# Casement Operable L&R Window Installation Instructions

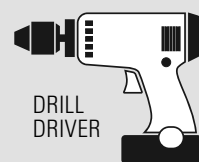
New Construction application with the use of a nailing flange

Note: window openings should always be non load-bearing

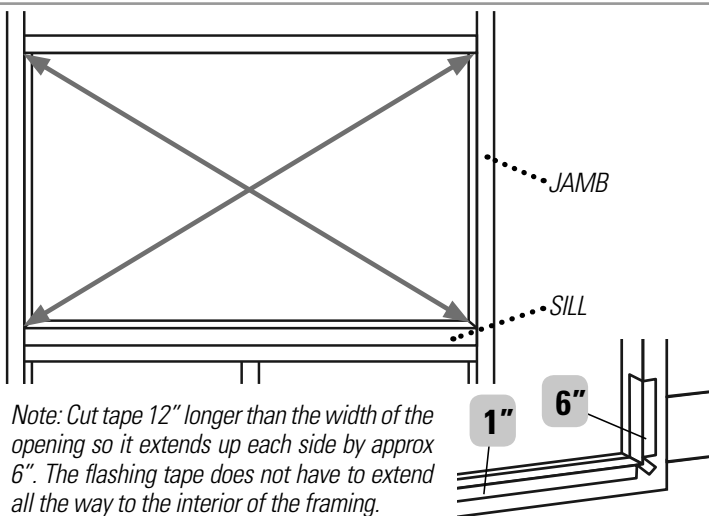
This installation guide assumes that a framework of studs (often called a buck frame or blocking) has already been properly fastened and sealed to the wall of the opening by a building professional. This type of work is commonly referred to as blocking-up an opening.



## REQUIRED TOOLS

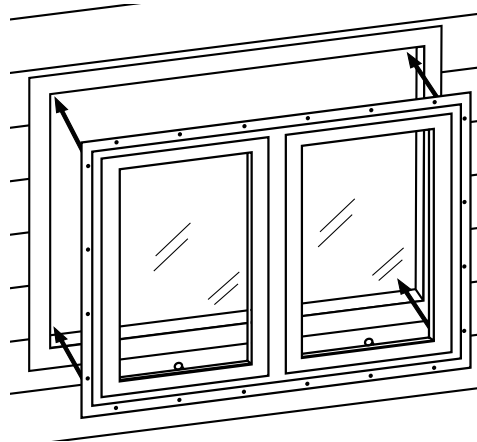


**NOTE:** Inspect this window while unpacking **AND BEFORE** installation to ensure its proper operating condition



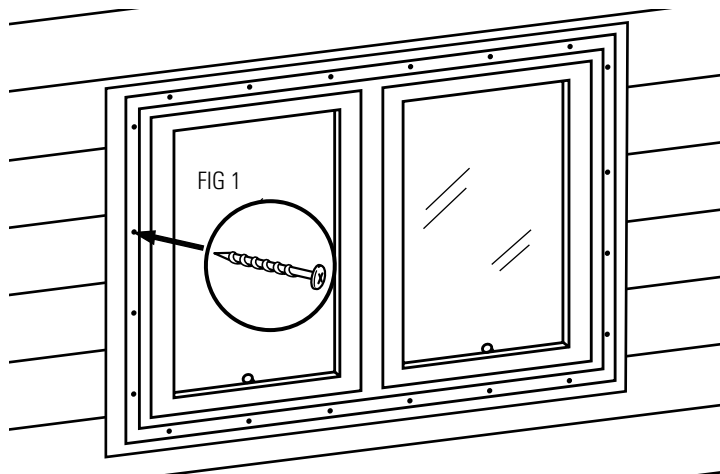
Note: Cut tape 12" longer than the width of the opening so it extends up each side by approx 6". The flashing tape does not have to extend all the way to the interior of the framing.

**STEP 1.** Check to be sure that the rough wall opening is square (diagonals measure the same). Prepare the rough opening by cutting a piece of flashing tape 12" longer than the width of the opening. Apply tape along the bottom of the opening so that it overhangs 1" to the exterior and 6" up each side of the opening, as shown.



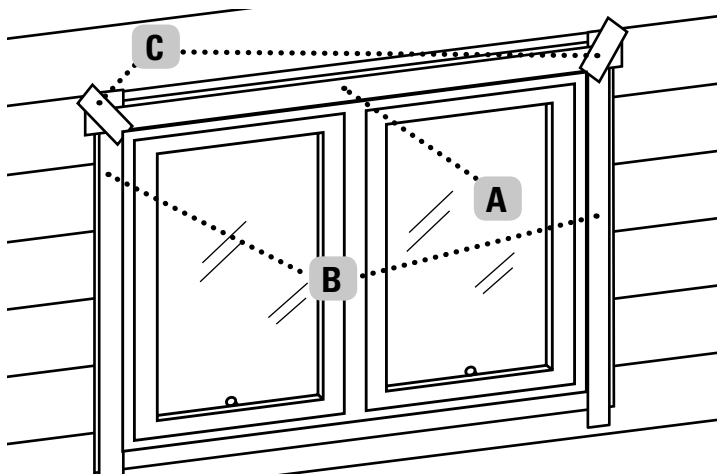
**STEP 2.** After the rough opening has been prepared, apply sealant around the inside perimeter of the nailing flange and then tack the window into the center of the opening. Ensure that the window is aligned and plumb by

shimming the sill and side jambs as necessary. Be sure to check both side-to-side and front-to-back for alignment and plumb. Shim spaces to be no more than 1/4" per side. Once the window is tacked into place & aligned check the smooth operation of each window. Be sure that the top and bottom of the operable sashes close against the face frame at the same time. If not continue to adjust both the side-to-side and front-to-back alignments until the windows are plumb and operate & lock smoothly.



**STEP 3.** Once the unit is square in the opening, secure the window using #8 x 2" galvanized or stainless steel pan head screws fastened through the installation flange (FIG 1).

**CAUTION:** Expanding foam sealants may make the window too tight in the opening and can negatively impact the operation of the window.



**STEP 4.** Apply flashing tape first along the top, then along the sides and lastly to the upper corners. (A) Cut one piece of flashing tape long enough to go across the top of the window extending 1"-2" past the window on each side. (B) Next, cut two pieces of flashing tape 4" longer than the frame height of the window and apply as shown. (C) lastly, apply tape to the top two corners of the window extending at least 1" past the corner tape seams. **DO NOT SEAL ACROSS THE BOTTOM INSTALLATION FLANGE.**

**STEP 5.** On the inside, apply silicone caulk (or other type of approved sealant) to the opening between the interior and exterior main frame and wall. Finish interior/exterior trim as desired.

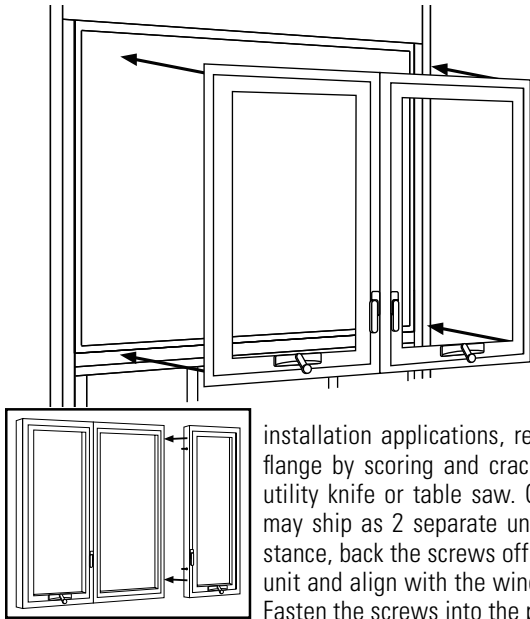
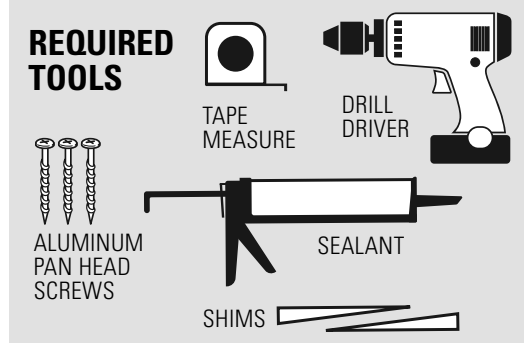
# Caseмент Operable L&R Window Installation Instructions

Replacement application  
No nailing flange

Note: window openings should always be non load-bearing

This installation guide assumes that a framework of studs (often called a buck frame or blocking) has already been properly fastened and sealed to the wall of the opening by a building professional. This type of work is commonly referred to as blocking-up an opening.

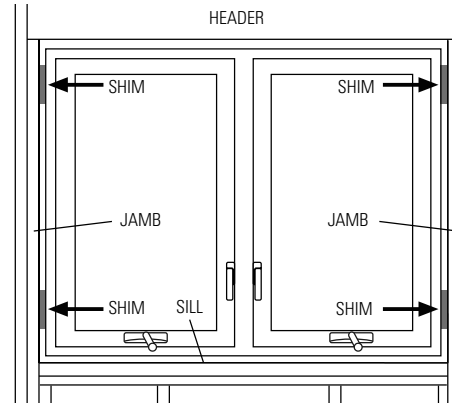
**NOTE:** Inspect this window while unpacking **AND BEFORE** installation to ensure its proper operating condition



For replacement installation applications, remove the installation flange by scoring and cracking off with a sharp utility knife or table saw. Combination windows may ship as 2 separate units (**FIG 1**). In this instance, back the screws off on the single window unit and align with the windows as a single unit. Fasten the screws into the pre-drilled holes.

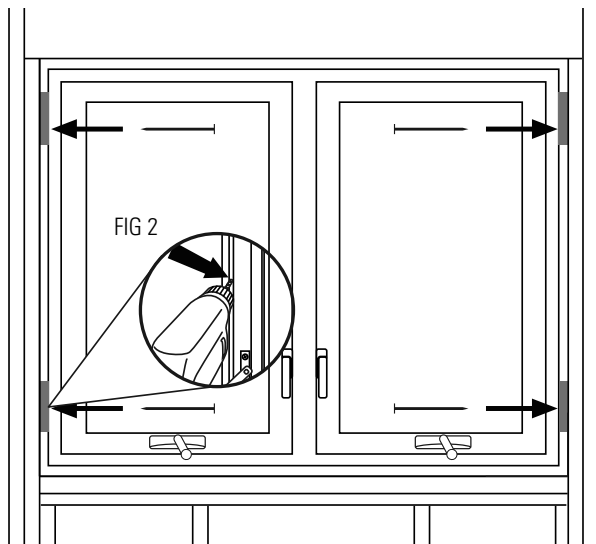
FIG 1

**STEP 1.** Before installation, pre-check each window to ensure its smooth operation. Then make sure the windows are closed and locked before installation (If applicable). Picture windows are non-operable fixed pane windows. For the replacement



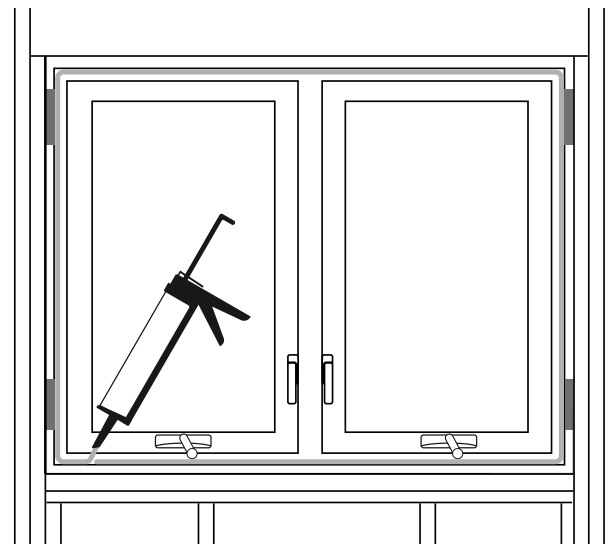
**STEP 2.** After the rough opening has been prepared (blocked-up) and the nailing flanges have been removed, tack the window into the opening (through the side jamb walls) making sure that the window is closed and locked. Ensure that the window is aligned and plumb by shimming the sill and side jambs as

necessary. Be sure to check both side-to-side and front-to-back for alignment and plumb. Shim spaces to be no more than 1/4" per side. Once the window is tacked into place & aligned check the smooth operation of each window. Be sure that the top and bottom of the operable sashes close against the face frame at the same time. If not continue to adjust both the side-to-side and front-to-back alignments until the windows are plumb and operate & lock smoothly.



**STEP 3.** Once the unit is square in the opening, secure the window using #8 x 2" galvanized or stainless steel pan head screws through the side wall installation channels (**FIG 2**). If there aren't pre-punched, installation holes these can be drilled 4" to 6" up and down each side wall alternating from side to side. **CAUTION:** DO NOT screw through top header or bottom sill as this may distort the window and its operation.

**CAUTION:** Expanding foam sealants may make the window too tight in the opening and can negatively impact the operation of the window.



**STEP 4.** Apply silicone caulk (or other type of approved sealant) to the opening between the interior and exterior main frame and wall.

**STEP 5.** Finish interior/exterior trim as desired.