



Double Down

Model: 301D

(BOXES: 301-1, 301-2,
310 & SLIDE BOX)

Copyright © 2014 Gorilla Playsets
All Rights Reserved

190 Etowah Industrial Court
Canton, GA 30114

www.gorillaplaysets.com



Please inspect and inventory all parts immediately upon accepting delivery. Use the inventory pages in the manual to make sure you have received all necessary parts. The quickest method to get any parts that are missing or damaged is to use our “Quick Response Center” located at:

www.gorillaplaysets.com/support

DO NOT RETURN THIS PRODUCT TO THE RETAILER OR CONTACT THE RETAILER DIRECTLY. THE RETAILER DOES NOT STOCK COMPONENTS.

PLEASE RETAIN ALL INSTRUCTIONS FOR FUTURE REFERENCE. KEEP THEM IN A SAFE PLACE WHERE YOU CAN REFER TO THEM AS NEEDED. CHECK FOR REVISED INSTRUCTIONS AT:

www.gorillaplaysets.com/manuals

GORILLA PLAYSETS WARRANTY – 2014

Gorilla Playsets® (“Gorilla”) warrants its play sets to be free from defects in workmanship and materials, under normal use and conditions, for 10 years for above ground structural wood components and for one year for all other components (e.g., swings, hardware, plastics, tarps, rope ladder, etc.).

Gorilla warrants all remaining products, including but not limited to its , Free Standing Swing Set, Free Standing Tire Swing, See-Saw, Children’s Picnic Table with Umbrella, Play-Zee-Bo™, Cedar Toy Chest and spring riders to be free from defects in workmanship and materials, under normal use and conditions, for a period of 1 year. The Krazy Clubhouse is warranted for a period of 6 months.

Cosmetic imperfections and natural tendencies of wood such as peeling, splintering, warping, seasonal checking or cracking, knots or knot holes, etc. are normal characteristics of all outdoor wooden play equipment and are not covered by this warranty.

Wood rot or decay that develops because the product was installed in an area with poor drainage is not covered under this warranty. Lumber that has been damaged by wood boring bees, or conditions that develop as a result of faulty or improper installation of the product, are not covered by this warranty. Fading of stain, discoloration or mold on any wood part or accessory is not covered by this warranty. Cracks in plastic components, surface rust on hardware and chips on powder coated materials are not considered defects in material as long as they do not affect the functionality or structural integrity of the part or component.

It is the owner’s responsibility to maintain the swing set. **This includes but is not limited to staining and sealing the lumber as needed and regular inspection to be sure all hardware is tight.** Instructions for proper maintenance can be found on Gorilla’s website. Imperfections or conditions that develop because of a failure to properly maintain the swing set are not covered by this warranty.

Gorilla will, at its discretion, replace any above ground part within the stated warranty period that is defective in workmanship or materials. This decision is subject to verification of the defect, which, at Gorilla’s discretion, may be accomplished by submitting photographs or by delivery of the defective part to Gorilla Playsets • 190 Etowah Industrial Ct. • Canton, GA 30114 • 1-800-882-0272 Monday to Friday 9AM-5PM EST. Any warranty claim must include proof of purchase, including the date of purchase. In addition, within the first 30 days from the date of purchase, Gorilla will replace any parts discovered to be missing from or damaged in the original packaging.

This warranty is valid only if the product is used for the purpose for which it was designed and installed at a residential, single-family dwelling. This warranty is void if the product is used in a commercial, institutional or multi-family setting. **This warranty does not cover normal wear and tear or (a) products that have been damaged by acts of God and/or nature, negligence, misuse or accident; (b) products that have been modified or repaired by unauthorized persons; (c) the cost of labor; or (d) the cost of shipping any replacement product or part.**

GORILLA DISCLAIMS ALL OTHER REPRESENTATIONS AND WARRANTIES OF ANY KIND, EXPRESSED, IMPLIED, STATUTORY OR OTHERWISE, INCLUDING THE IMPLIED WARRANTIES OF MERCHANTABILITY AND FITNESS FOR A PARTICULAR PURPOSE. GORILLA WILL NOT BE LIABLE FOR ANY INCIDENTAL OR CONSEQUENTIAL DAMAGES. This warranty is non-transferable and does not extend to the owners of the product subsequent to the original purchaser. Some states do not allow limitations on implied warranties or exclusion of incidental or consequential damages, so these restrictions may not be applicable to you. This warranty gives you specific legal rights. You may also have other rights which vary from state to state.

IMPORTANT SAFETY GUIDELINES

This product is recommended for use by children ages 3-11. This product is intended for residential use only and not intended for use in any public setting. A safety surface such as mulch or recycled tire should be used under the play set to prevent injury from falls. Also a 6 foot safety zone should be used around the entire play set.

As with any home project, good judgment and respect for power tools will greatly reduce the risk of injury. Gorilla recommends you follow all tool manufacturers' safety guidelines. Always wear eye protection and safety gloves to prevent injury. In several phases of construction two people may be required for lifting and securing of lumber. While the play set is being constructed, please keep children off the equipment until the project is complete. Bolts and screw heads should be checked regularly for tightness. The ground ladder, rope ladder, slide, swings and other areas where children spend a majority of their playtime should be checked more frequently.

Gorilla shall not be liable for incidental, indirect or consequential damages or injuries that result from building and/or playing on our play sets. Adult supervision is recommended anytime a play set is being used.

WEIGHT LIMITS FOR GORILLA PLAYSETS

- FORT PLATFORMS: 800 LBS. TOTAL WEIGHT
- SWING BELT: 225 LBS.
- GLIDER SWINGS: 70 LBS. PER CHILD. UP TO 140 LBS. TOTAL WEIGHT.
- TRAPEZE: 125 LBS.
- FULL BUCKET SWING/ HALF BUCKET SWING: 50 LBS.
- HEAVY DUTY TODDLER BUCKET SWING: 85 LBS.
- INFANT SWING: 35 LBS.
- TIRE SWING: 125 LBS. TOTAL WEIGHT
- ROPE LADDER: 75 LBS.
- ROCK WALL: 150 LBS.
- CLIMBING RAMP: 150 LBS.
- MONKEY BARS: 175 LBS.
- ALL SLIDES: 150 LBS.

Gorilla recommends that the weight limits for all components must not be exceeded. Failure to adhere to these and other safety guidelines could result in damage to the play set and injury to the users.

WARRANTY REGISTRATION

- DOUBLE DOWN -

Gorilla Playsets manufactures the finest quality products that are designed for outstanding strength and durability. We back our products with an unparalleled warranty. In the unlikely event that you will need to contact us about covered repairs, we must have a valid Warranty Registration on file.

| 3 EASY WAYS TO REGISTER | |
|-------------------------|--|
| OPTION 1 | Fax this completed form to: (678) 880-3329 OR Mail this completed form to: Gorilla Playsets 190 Etawah Industrial Court Canton, GA 30114 |
| OPTION 2 | Complete the online registration form at: http://www.gorillaplaysets.com/register |
| OPTION 3 | Scan this QR Code with your smart phone to complete the form using your phone  |

Where did you buy this product?:

| | |
|------------------------|-------------------------|
| Date of Purchase _____ | Place of Purchase _____ |
|------------------------|-------------------------|

Your registration information:

Name: _____ Email: _____

Address: _____

Street
City
State
Zip

Please select your age? 18-30 31-40 41-50 51+

How old are your children? 2-3 4-5 6-7 8+

How would you rate the quality of this product?

★★★★★ Excellent

★★★★ Above Average

★★★ Average

★★ Below Average

★ Poor

Would you recommend this product to friends & family? Yes No

Comments: _____

IMPORTANT – PLEASE READ

As fresh lumber acclimates to its new environment, the natural tendencies of the tree can show itself in the form of checks, or “cracks” in the lumber. In almost all cases this is normal and it will not affect the structural integrity of your play set.

Cosmetic defects that do not affect the structural integrity of the product, or natural defects of wood such as warping, checking or any other physical properties of wood that do not present a safety hazard, are not covered by this warranty. Defects that develop because the product is exposed to extreme climate conditions or woodboring insects are not covered by this warranty. Defects that develop as a result of faulty or improper installation of the product are also not covered by this warranty.

Most cracks are not warrantable, however if you believe that the integrity of your play set is compromised by this natural occurrence, please follow the warranty claim procedure found at www.gorillaplaysets.com. Click on the “Customer Care” tab on the left hand side of the page, then click on “Warranty Claim” and follow the directions.

KEEPING YOUR PLAYSET LIKE NEW

LUBRICATE:

- Spray swing hangers with Pam, Mazola or olive oil to stop squeaking.
- Do not use petroleum based products such as WD-40 or motor oil.
- To speed up the slide wipe center of slide ONLY with wax paper every 2 - 3 weeks.

TIGHTEN:

- Check and tighten hex/carriage bolts within first 60 days and then twice annually.
- Check lag screws for tightness before each season and then once during the season for tightness. Tighten lag screws as required.

SEAL:

- Apply an oil based sealer or preservative within 90 days, then every 2 - 3 years. You may need to power wash the unit before sealer application on year two.

INSECTS:

- To repel yellow jackets and wasps, using a cloth, coat all interior 90 degree corners with liquid dish soap underneath the play set deck. This will make wasps sick when they attempt to build a nest. Avoid using insecticides.



Model: 301D

(BOXES: 301-1, 301-2,
310 & SLIDE BOX)

REV: 1.9.2014

TABLE OF CONTENTS

| | |
|--|-------------|
| Safety Guidelines..... | Pages 3-6 |
| Leveling Fort, General Information and Definitions..... | Pages 6-8 |
| How to Install T-nuts, Board Identification, Predrill Lag Screw Directions and Swing Beam Loading..... | Pages 9-13 |
| Site Plan, Required Tool List and Kit Contents..... | Pages 14-15 |
| Hardware, Lumber and Accessory Checklists..... | Pages 16-29 |
| Corner Post Layout and Adding T-Nuts to Corner Posts..... | Steps 1-2 |
| Framing Fort..... | Steps 3-8 |
| Attaching Deck Spacers, Deck Stringer, Face Boards..... | Steps 9-11 |
| Ladder Assembly and Attaching Ladder..... | Steps 12-13 |
| Attaching Deck Boards, Angle Supports, Panel Supports, Panel Boards and Panel Slats..... | Steps 14-18 |
| Building and Mounting Rockwall..... | Steps 19-24 |
| Swing Beam Assembly..... | Steps 25-33 |
| Attaching Arched Side Top Boards..... | Step 34 |
| Assembling Roof, Chimney and Dormers..... | Steps 35-37 |
| Sun Burst Assemblies..... | Steps 38-39 |
| Attaching Window Supports and Window Assembly..... | Step 40 |
| Attaching Safety Board and Angle Supports..... | Step 41 |
| Attaching Accessories and Ground Stakes..... | Steps 42-52 |

**PLEASE READ OWNER'S MANUAL CAREFULLY
BEFORE STARTING ASSEMBLY!**

Safety and Maintenance Tips for Your New Play Set:

NOTE: Your children's safety is our #1 concern. Observing the following statements and warnings reduces the likelihood of serious or fatal injury. Please review these safety rules regularly with your children.

- This play set is designed for the use of 4 occupants who have a combined weight not exceeding 800 pounds on the elevated floor, 3 occupants who have a combined weight of 425 pounds on the swing area, for a total Unit capacity of 7 occupants who have a combined weight of 1225. (This weight does not include any picnic table area(s).)
- On-site adult supervision is required.
- Teach children not to walk close to, in front of, behind, or between moving swings or other moving playground equipment.
- Teach children to sit in and never stand on swings
- Teach children not to twist the chains and ropes and not to loop them over the swing beam, since this may reduce the strength of the chain or rope.
- Teach children not to jump from swings or other playground equipment in motion.
- Teach children not to push empty seats. The seat may hit them and cause serious injury.
- Teach children to sit in the center of the swings with their full weight on the seats.
- Teach children not to use the equipment in a manner other than intended.
- Teach children to always go down slides feet first. Never slide headfirst.
- Teach children to look before they slide to make sure no one is at the bottom.
- Teach children to never run up a slide, as this increases their chances of falling.
- The parents should have the children dress appropriately with well-fitting shoes. Loose clothing such as scarves and ponchos should not be worn. Always take off, tie up or tuck in cords and drawstrings on children's clothing. These things can get caught on playground equipment and strangle a child.
- Teach children not to climb when the equipment is wet.
- Teach children to never jump from a fort deck. They should always use the ladder, ramp or slide.
- Teach children to never crawl or walk across the top of monkey bars or swing beam.
- Teach children to never crawl on top of a fort roof or on the outside of a tube slide.
- Verify that any suspended climbing ropes, chains, or cables are secured at both ends and that they cannot be looped around an adult hand.
- Teach children not to attach items to the playground equipment that are not specifically designed for use with the equipment, such as, but not limited to, jump ropes, clothesline, pet leashes, cables and chain as they may cause a strangulation hazard.
- Teach children to never wrap their legs around swing chain.
- Teach children to never slide down the swing chain.
- Teach children to remove their bike or other sports helmet before playing on the playground equipment.
- Teach children to NEVER look at the sun or other bright light through any accessory such as but not limited to a telescope, periscope or binoculars.

WARNING: Children must NOT use this play set until it has been completely assembled and inspected by an adult to insure it has been properly installed and the swing beam legs are anchored.

Safety and Maintenance Tips for Your New Play Set: (continued)

Playgrounds should be inspected on a regular basis. If any of the following conditions are noted, they should be removed, corrected, or repaired immediately to prevent injuries.

- Hardware that is loose, worn or that has protrusions or projections.
- Exposed equipment footings.
- Scattered debris, litter, rocks, or tree roots.
- Splinters, large cracks, and decayed wood components.
- Deterioration and corrosion on structural components, which connect to the ground.
- Missing or damaged equipment components, such as handholds, guardrails, swing seats.
- Check all nuts and bolts twice monthly during the usage season and tighten as required. (But not so tight that you crack the wood) We recommend you check the swing beam and hardware often due to wood expansion and contraction. It is particularly important that this procedure be followed at the beginning of each season.
- Remove plastic swing seats and take indoors or do not use when the temperature drops below 32°F. Reinstall swings and other swing equipment at the beginning of the usage season.
- Oil all metallic moving parts monthly during the usage period.
- Check all coverings for bolts and sharp edges twice monthly during usage season to be certain they are in place. Replace when necessary. It is especially important to do this at the beginning of each new season.
- Check swing seats, ropes, cables and chains monthly during usage season for evidence of deterioration. Replacement should be made of any swing seat that has developed cracks in the plastic seats. Ropes, cables and chains should be removed and replaced if excessive wear is found. Contact us for warranted replacement parts.
- For rusted areas on metallic members such as monkey bars, hand supports brackets, etc.; sand and repaint, using a non lead-based paint meeting the requirements of Title 16 C.F.R. Part 1303. These requirements are available at: <http://www.cpsc.gov/>
- Inspect wood parts monthly. The grain of the wood sometimes will lift in the dry season causing splinters to appear. Light sanding may be necessary to maintain a safe playing environment. If you are treating your play set with stain regularly, it will help prevent severe checking/splitting and other weather damage.
- Once or twice a year, depending on your climate conditions, you must apply some type of protection (sealant) to the wood of your unit. Prior to the application of sealant, lightly sand any “rough” spots on your set. Please note this is a requirement of your warranty.
- Creating and maintaining the play set on a level location is very important. As your children play, your play set will slowly dig its way into the soil, and it is very important that it settles evenly. Make sure the play set is level and true once each year or at the beginning of each play season.
- Twice a month during the usage season rake the playground protective surfacing materials to prevent compaction and maintain appropriate depths. Replace the protective surfacing materials as required.
- Disposal Instructions: When the play set is no longer desired, it should be disassembled and disposed of in such away that no unreasonable hazards will exist at the time the play set is discarded.

Play Set Surfacing Recommendations:

Below are some of the recommendations that the U.S. Consumer Product Safety Commission (CPSC) offers from its Handbook for Public Playground Safety. The guide can be downloaded in full at www.cpsc.gov/cpscpub/pubs/325.pdf

1. Protective Surfacing - Since almost 60% of all injuries are caused by falls to the ground, protective surfacing under and around all playground equipment is the most critical safety factor on playgrounds.

Certain manufactured synthetic surfaces also are acceptable; however, test data on shock absorbing performance should be requested from the manufacturer.

Asphalt and concrete are unacceptable. They do not have any shock absorbing properties. Similarly, grass and turf should not be used. Their ability to absorb shock during a fall can be reduced considerably through wear and environmental conditions.

Certain loose-fill surfacing materials are acceptable. Surfacing materials are acceptable, such as the types and depths shown in the table.

Fall Heights and Materials

| Type Of Material | 6 in. depth | 9 in. depth | 12 in. depth |
|----------------------------|--------------------|-----------------|-----------------|
| Double-Shredded bark mulch | 6' Fall Height | 10' Fall Height | 11' Fall Height |
| Wood Chips | 6' Fall Height | 7' Fall Height | 12' Fall Height |
| Fine Sand | 5' Fall Height | 5' Fall Height | 9' Fall Height |
| Shredded Tires* | 10-12' Fall Height | N/A | N/A |
| Fine Gravel | 6' Fall Height | 7' Fall Height | 10' Fall Height |

*This data is from tests conducted by independent testing laboratories on a 6-inch depth of uncompressed shredded tire samples produced by four manufacturers. The tests reported critical heights, which varied from 10 feet to greater than 12 feet. It is recommended that persons seeking to install shredded tires as a protective surface request test data from the supplier showing the critical height of the material when it was tested in accordance with ASTM F1292.

It should be recognized that all injuries due to falls cannot be prevented no matter what surfacing material is used.

2. Fall Zones - A fall zone, covered with a protective surfacing material, is essential under and around equipment where a child might fall. This area should be free of other equipment and obstacles onto which a child might fall. Stationary climbing equipment and slides should have a fall zone extending a Minimum of 6' in all directions from the perimeter of the equipment.

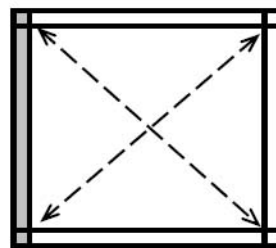
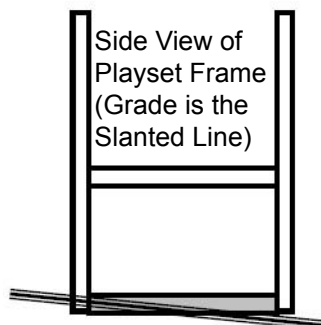
Swings should have a fall zone extending a minimum of 6' from the outer edge of the support structure on each side. The fall zone in front and back of the swing should extend out a minimum distance of twice the height of the swing as measured from the ground to the top of the swing support structure.

LEVELING YOUR FORT DURING ASSEMBLY

- Complete the steps which will be the basic frame of the fort. {i.e. four corner posts with base (sand box boards) and deck supports}
- Position in the most level area chosen for the play set, keeping in mind the location and size of the swing beam, ladder, slides, etc. that extend off the fort.
- Once the frame is in the final position, check for vertical and horizontal levelness to determine which side(s) will need to be dug into the ground to level the play set.
- With a shovel, score the ground around the outside edges of the sandbox boards on the 'high' side of the fort. This is the area that will be dug in. Make sure to score deep enough; the scored lines will be your digging template.
- Push the frame off and away from the scored area, far enough to dig and remove dirt to reach the appropriate depth.
- Dig a channel along the scored line(s) for the base of the fort (corner post and sandbox boards) to rest into. Dig the channel(s) to the same level depth. The bottom of the channel(s) should be level to each other so your frame doesn't teeter or rock because the channel(s) are uneven.
- Once you have removed enough grass and dirt, slide/push the frame into the channel(s). Place a level on the vertical and horizontal boards of the frame to determine if enough soil, or too much, was removed.
- Repeat this process until the basic frame is plumb and level and in its final position before completing the rest of the assembly.
- Measure to make sure fort is square.

Important: if you require a channel depth of more than 6", then we recommend you have your play set area professionally graded before completing assembly.

Example Play area:



The diagonal measurements should be the same from corner post to corner post. If not, adjust corner posts so that the distance is equal.

■ = Area to be scored and channeled for levelness

General Info to Review Before Installation

- Depending on your experience, assembly of the playset can take as little as 6 hours up to 24 hours, depending on size, after inventory of parts; therefore, we recommend you set aside a full two days for assembly.
- Identify all of the parts for your play set. Empty each box and lay out boards so you can see each part. Your instruction book will have detailed drawings that will make it easy for you to recognize individual parts. Keep all hardware and metal parts separate from wooden pieces.
- After everything is laid out, check carefully to ensure all parts are present. Make sure there are no broken boards.
- Find an area to sort your hardware. It is best to open the hardware on a solid surface so that you do not lose any pieces in the grass. This will save time and familiarize you with all the different pieces in the hardware bag.
- Important note: Wood has some natural defects such as knots, surface cracks, etc... We reject parts that are structurally defective. We use a high quality lumber in our structures; however, you should inspect each part for splinters or rough spots and sand them smooth to prevent injury.
- After familiarizing yourself with all of the components, read all instructions thoroughly. Reading instructions after you have studied the parts will help you understand the installation process, and help to eliminate unnecessary mistakes.
- Pay close attention to the diameter and length of each bolt and screw.
- Never tighten hardware completely at first. It helps to have some adjustment for bolt alignment while you are attaching parts together. After everything is square, tighten each joint.
- After the main unit is assembled it is critical that the floor is level and square. If the main frame is not level, the walls and floor will be out of square.
- After you complete installation, make sure every bolt, screw, and nut is tight, and every board is secure. Wood will expand and contract with the seasons.
- Place the set on level ground, not less than 6 feet from any structure or obstruction such as a fence, garage, house, overhanging branches, laundry lines, or electrical wires.

This page is a list of definitions and explanations used throughout our instructions to aid you in the assembly of your play set.

Offset Holes- Throughout the installation procedures we will refer to parts with offset holes. This refers to the orientation of the holes on the board. An offset hole is one that is closer to one side than it is the other or in other words, it is not centered on the board. In the procedures you will be instructed to attach the boards with the holes offset up or with the holes offset down. This refers to which side of the board the hole/holes should be closer to. Offset holes up= hole/holes will be closer to the top of the board. Offset holes down= hole/holes will be closer to the bottom of the board. Note: some parts do not have offset holes, but instead the holes are on center. Therefore there will not be any reference on how to offset these parts.

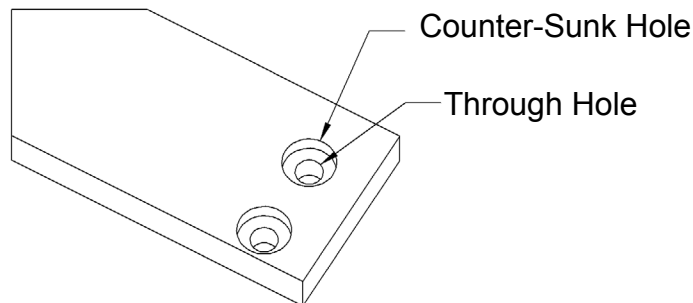
EXAMPLE OF OFFSET HOLES UP



EXAMPLE OF OFFSET HOLES DOWN



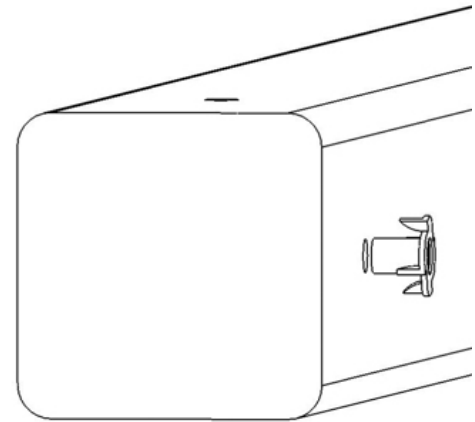
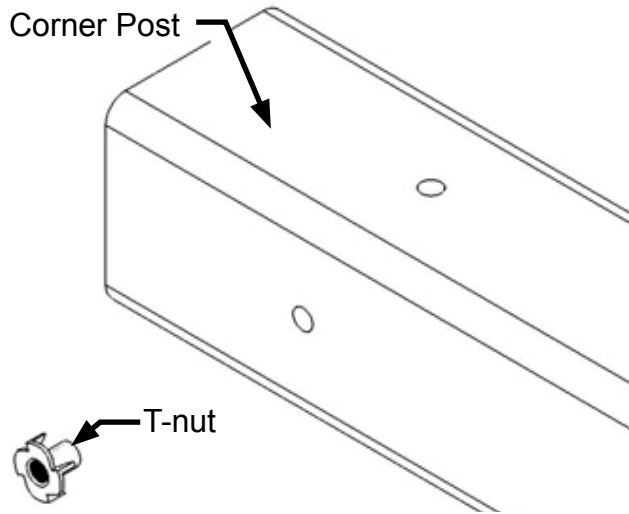
Counter-sunk holes - Many of the parts that will be used have counter-sunk holes. A counter-sunk hole is one that surrounds one side of a through hole, but does not extend through the wood it's self. When using a counter-sunk hole the bolt will be inserted through the through hole and either the head of the bolt and washer or nut and washer will occupy the counter sunk hole.



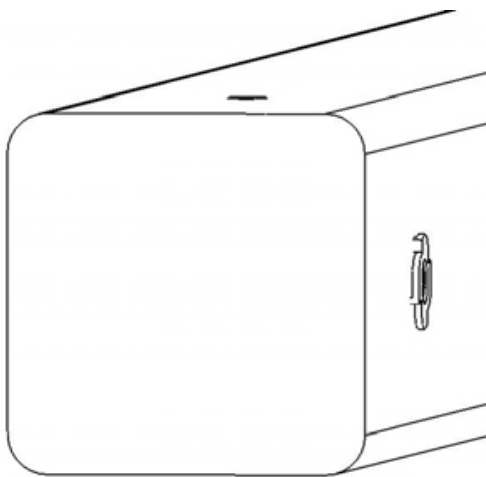
Lag Screws- Lag screws are used in the construction of our play sets to enhance the structural integrity of the unit. There will not be predrilled holes in the post for lag screw installation. Lag screws are self-tapping, though if you are using a manual socket wrench it may be advantageous to pre-drill a hole first. Instructions for this are provided on a separate page in the front of the manual. Be sure to tighten the lags completely when driving them in by hand. Power tools such as a heavy duty impact driver or large power drill should have enough torque to drive in the lag screws, but make sure not to over tighten as this can cause the threads to “strip out” in the post.

Common Installation Practice Installing T-nuts

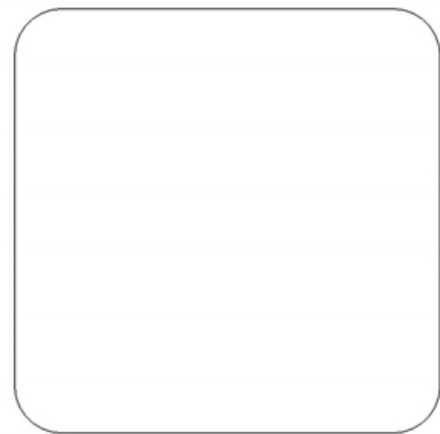
When installing T-nuts into the wood, use a smooth faced hammer to set the face of the T-nut flush into the wood



Insert the barrel of the T-nut into the predrilled hole. Using a smooth faced hammer, drive the T-nut until the face of the T-nut is flush to the wood.

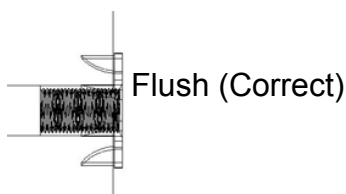


This picture shows the T-nut inserted and installed flush to the wood.



This picture shows an end view of the T-nut installed flush to the wood.

WARNING: DO NOT EMBED THE TOP OF THE T-NUT INTO THE FACE OF THE WOOD



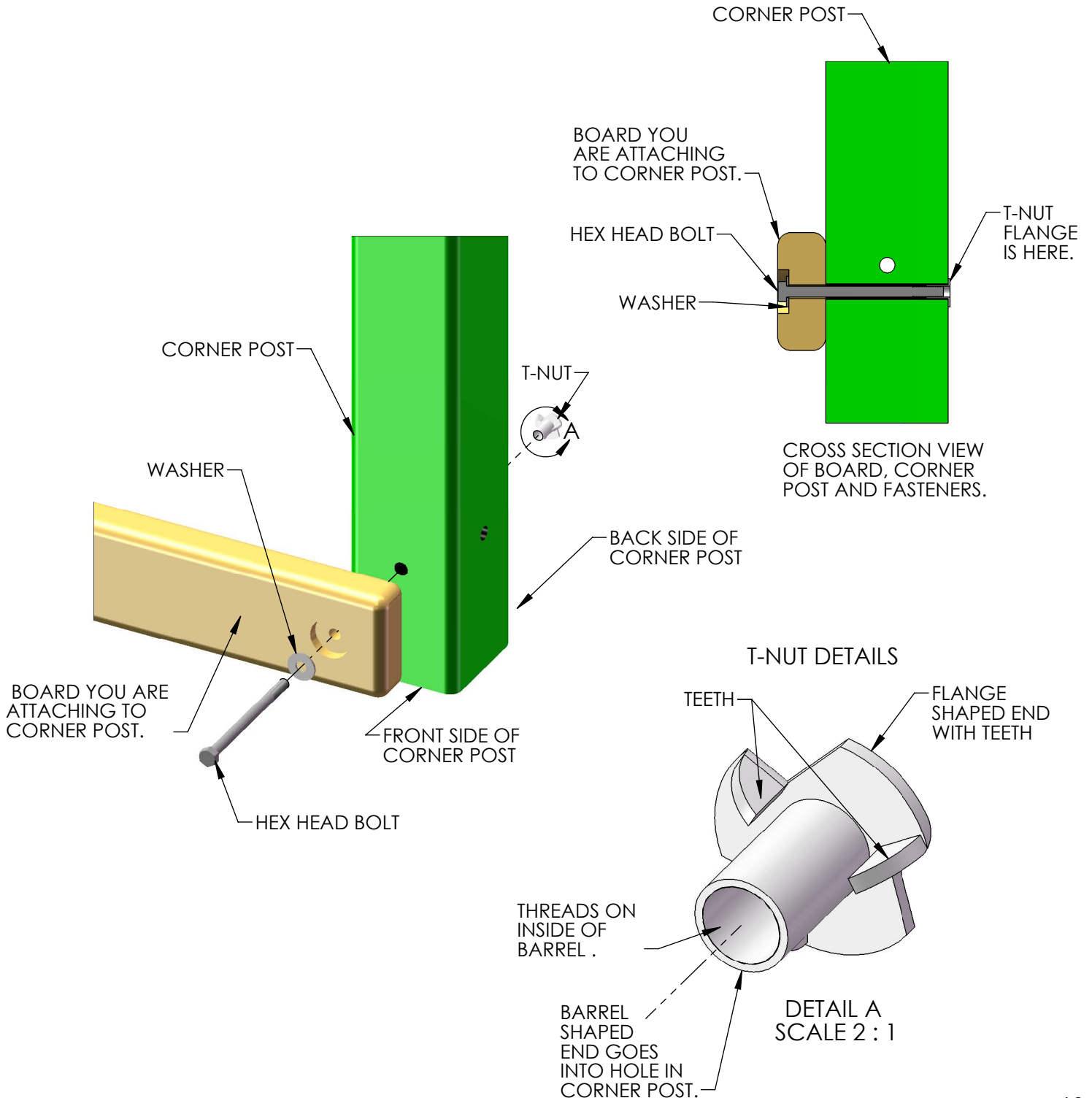
Cross Section end view, you are looking at an X-ray view of the post and T-nut. The barrel of the T-nut is in the corner post the line is the face of the wood.

HOW A T-NUT WORKS

THE FIRST STEP IN OUR ASSEMBLY INSTRUCTIONS IS TO INSERT T-NUTS INTO THE CORNER POSTS. A T-NUT IS A FASTENER WHICH IS THREADED ON THE INSIDE AND IT FUNCTIONS JUST LIKE A STANDARD HEX NUT. YOU INSERT THE T-NUTS INTO THE PREDRILLED HOLES IN THE CORNER POSTS.

THE T-NUT HAS A BARREL SHAPED END WHICH GOES INTO THE HOLE IN THE CORNER POST. THE T-NUT ALSO HAS AN FLANGE SHAPED END WITH TEETH. THE TEETH PENETRATE INTO THE CORNER POST WOOD TO PREVENT THE T-NUT FROM SPINNING WHEN YOU TIGHTEN THE HEX HEAD BOLT.

SHOWN BELOW YOU WILL SEE THE T-NUT IS HAMMERED INTO THE CORNER POST ON THE BACK SIDE. THE BOARD IS BEING ATTACHED ON THE FRONT SIDE OF THE CORNER POST.

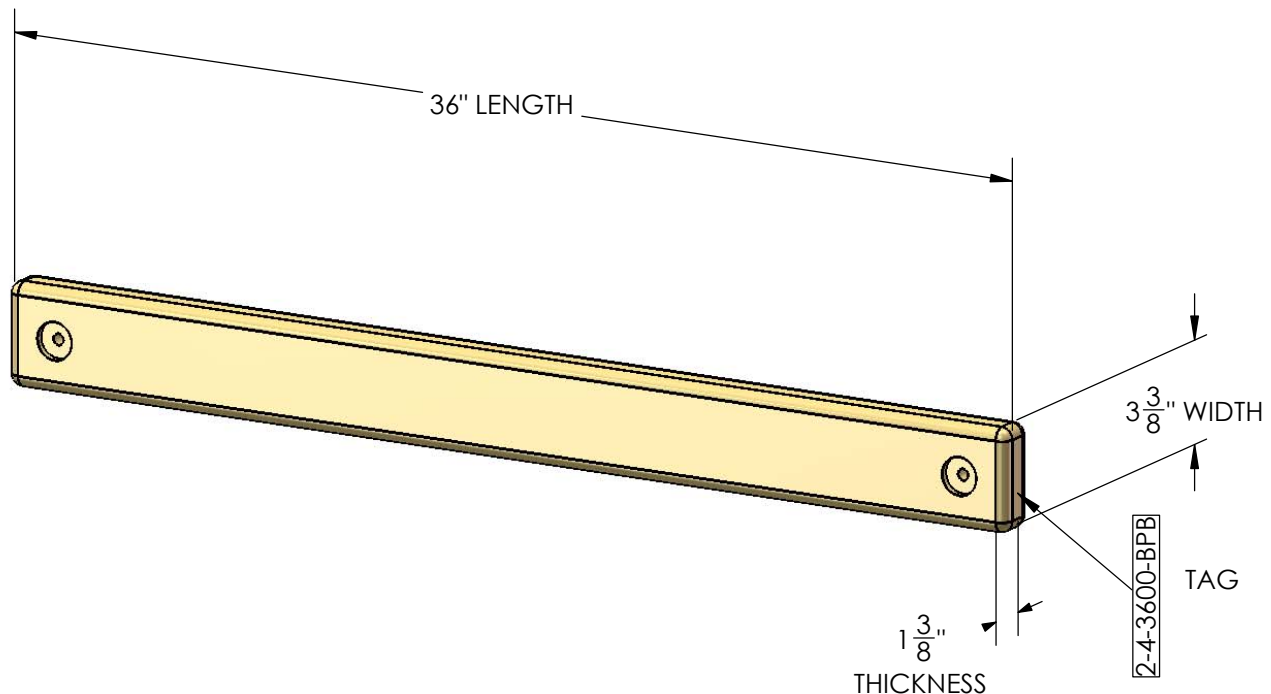


BOARD IDENTIFICATION

1. On the end of each board there should be a small white tag that is stapled into place.
2. This white identification tag displays the thickness, width, length and an abbreviated description of the part.

Example: a tag reads "2-4-3600-BPB"

- The 2 is the thickness of the board. "Nominal Lumber" at a home center will measure 1-1/2" for the thickness. We "remill" that lumber to 1-3/8" thick.
- The 4 is the width of the board. "Nominal Lumber" at a home center will measure 3-1/2" for the width. We "remill" that lumber to 3-3/8" wide.
Note: sometimes the width will be smaller than 3-3/8" because:
A) We need the width of the part to fit into a certain area of the play set.
B) We need the designation to be simple.
- The 3600 is the length of the board. It means the board is 36 inches long. If the code were 3625 then the board is 36-1/4" in length.
- The "BPB" abbreviation stands for "Bottom Panel Board". The wood part bill of materials in the instructions has a description which will match the abbreviation closely.
- In the event that there is no tag on a wood part measure the part then:
A) Use the measurements and compare them to the wood list at the front of the instructions to identify it.
B) Look at the holes on the wood part and compare them to the pictures in the wood list.
C) Look to see if the holes are centered or if they are offset up or offset down.
This should help you identify any parts that have missing tags. In the event that you cannot identify a board please email us for assistance.



PRE-DRILL LAG SCREW DIRECTIONS

Pre-drilling holes for lag screws will make it easier to drive the screws in by hand. "Jobber" length drill bits are available in sizes that are longer than standard drill bits and those are ideal for the job. When using the drill bit you will have to "spot" drill the post and then remove the board you are attaching to finish drilling the hole.

Pay attention to the *DIAMETER* of the lag screw you are installing. Your playset may come with two different diameter lag screws. Each diameter will require a different size drill bit. When installing lag screws **DO NOT OVERTIGHTEN.**

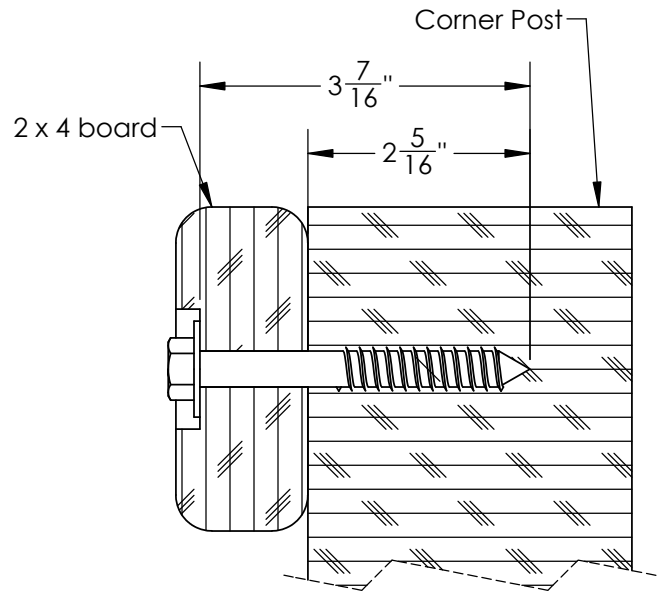
| LAG SCREW DIAMETER | DRILL BIT SIZE |
|--------------------|----------------|
| 5/16" DIAMETER | 9/64" |
| 3/8" DIAMETER | 11/64" |

Example: 3/8" diameter x 3-1/2" lag screw

This would be like the 2 x 4 board installation shown below. Place the board into position. Spot Drill through the holes in the 2 x 4 board into the corner posts with an 11/64" drill bit. Remove the 2 x 4 board. Continue to drill the holes to a total depth of 2-5/16" as shown at the right. Install the 2 x 4 board.

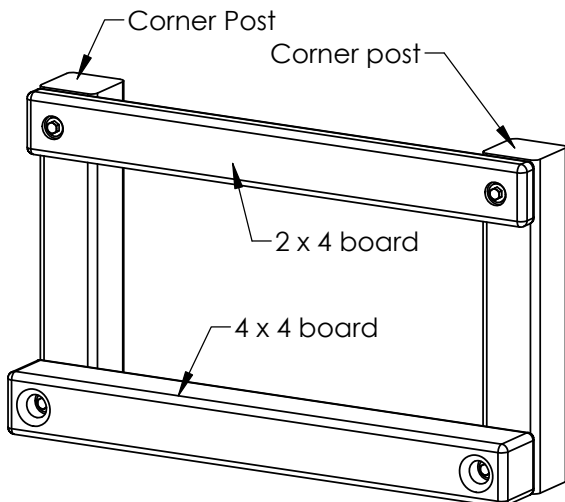
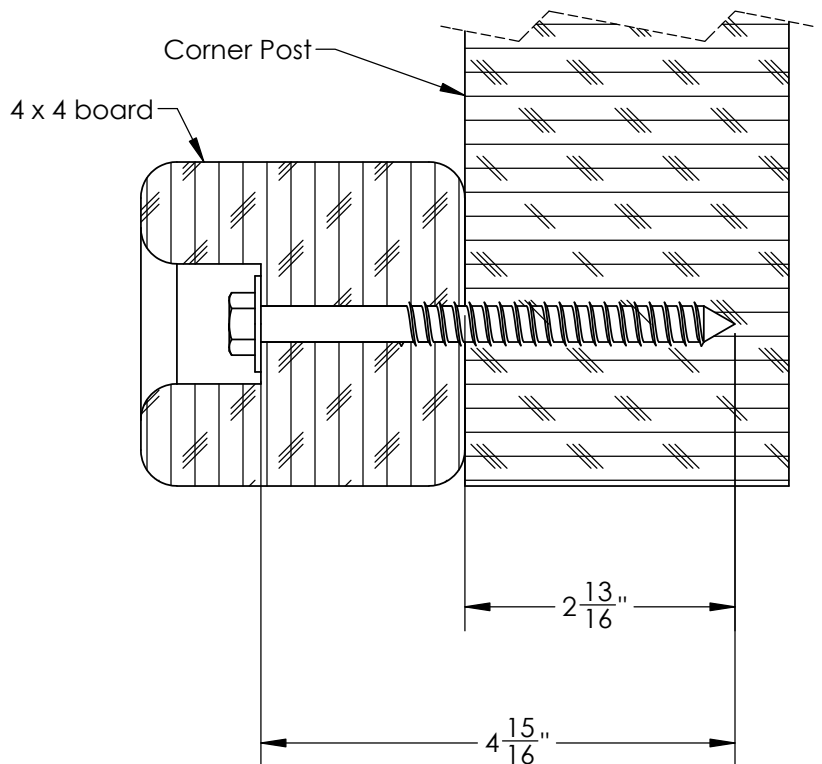
Example 5/16" diameter x 3-1/2" lag screw

This would be like the 2 x 4 board installation shown below. Place the board into position. Spot Drill through the holes in the 2 x 4 board into the corner posts with an 9/64" drill bit. Remove the 2 x 4 board. Continue to drill the holes to a total depth of 2-5/16" as shown at the right. Install the 2 x 4 board.



Example 3/8" diameter x 5" lag screw

This would be like the 4 x 4 board installation shown below. Place the board into position. Spot drill through the holes in the 4 x 4 board into the corner posts with an 11/64" drill bit. Remove the 4 x 4 board. Continue to drill the holes to a total depth of 2-13/16" as shown at the right. Install the 4 x 4 board.



SWING BEAM LOADING

Weight Limits for Accessories:

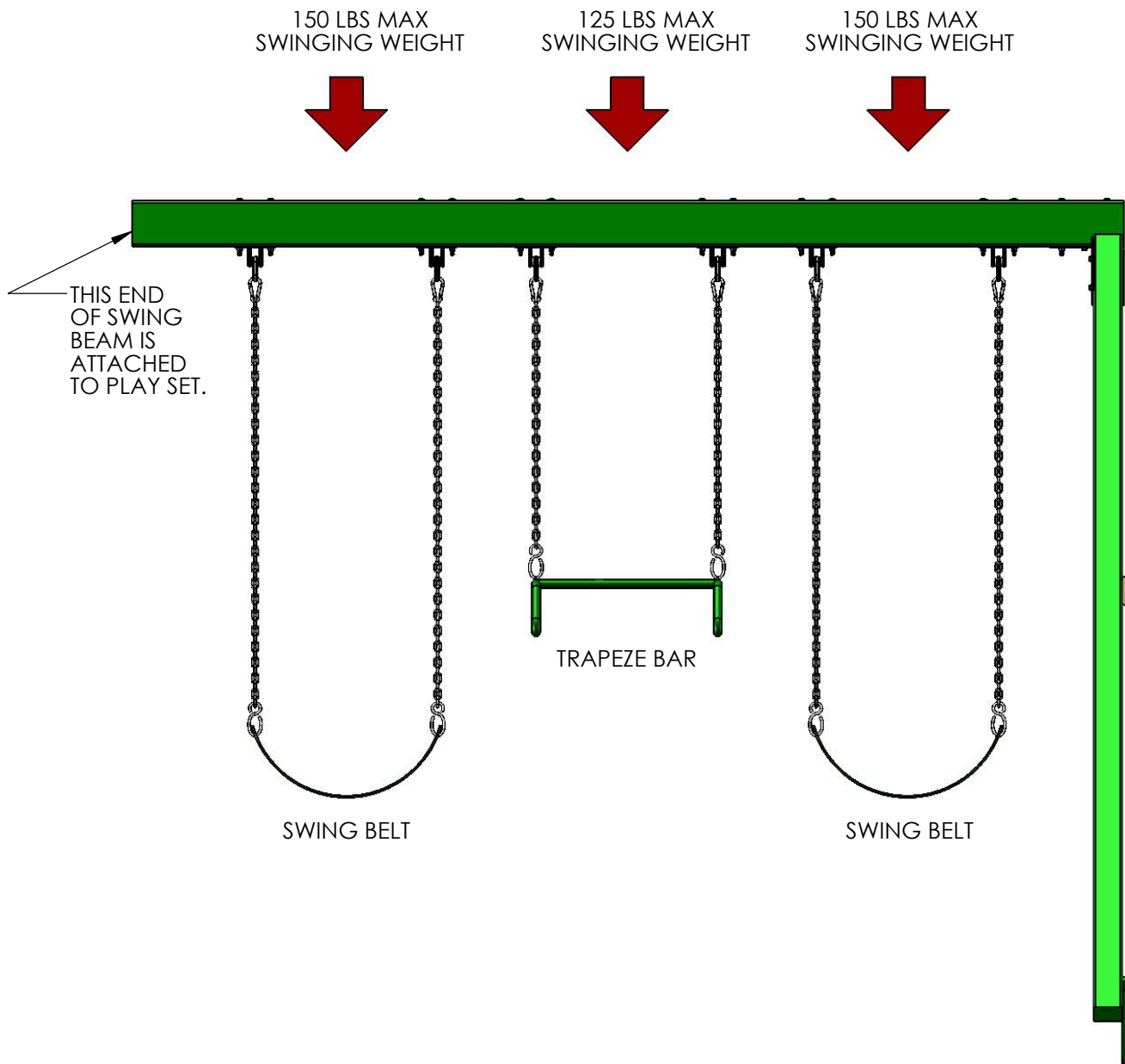
The weight limit for a Swing Belt is 225 lbs. (Although 150lbs is the maximum recommended swinging weight capacity for the swing position.)

The weight limit for a Trapeze Bar is 125 lbs.

Maximum Allowable swinging weight for a three position swing:

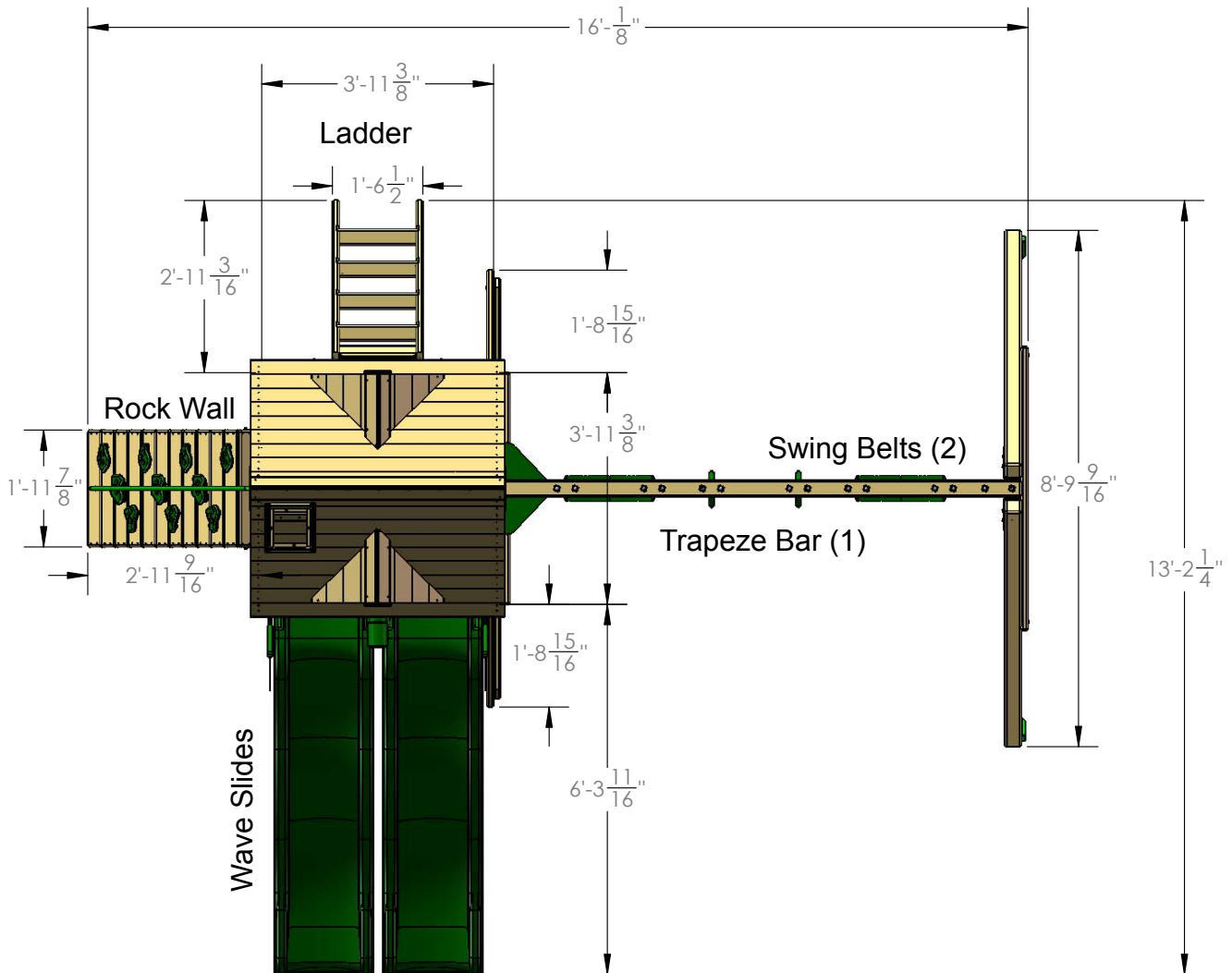
- 1) The maximum allowable swinging weight at each Swing Belt position is 150 lbs.
- 2) The maximum allowable swinging weight at the Trapeze position is 125 lbs.
- 3) The MAXIMUM SWING BEAM LOAD IS 425 lbs.

MAXIMUM SWING BEAM LOAD IS 425 LBS.



Please familiarize yourself with the manual, parts/components and general construction process of your new playset before getting started.

SITE PLAN:



Note: measurements shown are based upon starting with a flat construction area. If you construction area is sloped then some measurements may change. Example: The swing legs are adjustable in-and-out for a slightly sloped grade therefore the 8'-9 9/16\"

Playset height: 10' - 2-1/2"
 Swing Beam height: 7' - 2-3/4"
 Platform (Deck) height: 4'

Approximate assembly time: 6-8 Hours

(6) foot unobstructed safety perimeter around playset recommended.

REQUIRED TOOL LIST:

- ___ Standard or Cordless Drill w/ Phillips Bit (#2 square bit provided)
- ___ Drill Bits 1/8", 3/8", 9/64", 11/64"
- ___ 1/2" Wrench and Socket
- ___ 1/2" Deep Well Socket
- ___ 9/16" Deep Well Socket
- ___ 9/16" Wrench and Socket
- ___ Level
- ___ Tape Measure
- ___ Extension Cord (if using standard drill)
- ___ Hammer
- ___ Pencil
- ___ Locking Pliers (Vise Grips)
- ___ Shovel

KIT CONTENTS

Swings, Slides, Accessories:

- ___ (Qty) Description
- ___ (2) Swingbelt w/ Chains
- ___ (2) 8ft. Wave Slide
- ___ (10) Rock Wall Grip (assorted colors)
- ___ (1) Trapeze Bar w/Chains
- ___ (1) Telescope
- ___ (1) Steering Wheel
- ___ (2) Safety Handle
- ___ (1) Tic Tac Toe Panel
- ___ (2) Window
- ___ (1) Crown
- ___ (4) Ground Stake
- ___ (1) 10ft Rope
- ___ (2) Flag Kit

Fort Hardware:

see following pages

Swing Beam Hardware:

see following pages

Wood Components:

see following pages

#8 X 1-1/4"
 WOOD SCREW
 QTY: 12



#8 X 1-1/2"
 WOOD SCREW
 QTY: 106



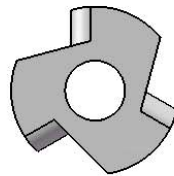
#8 X 2"
 WOOD SCREW
 QTY: 191



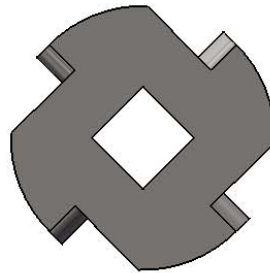
#8 X 2-1/2"
 WOOD SCREW
 QTY: 34



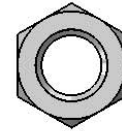
#8 X 3"
 WOOD SCREW
 QTY: 14



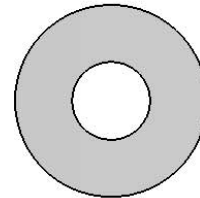
5/16" TEE NUT
 QTY: 42



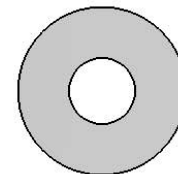
TORQUE WASHER
 QTY: 17



3/8" LOCK NUT
 QTY: 19



3/8" WASHER
 QTY: 31



5/16" WASHER
 QTY: 68



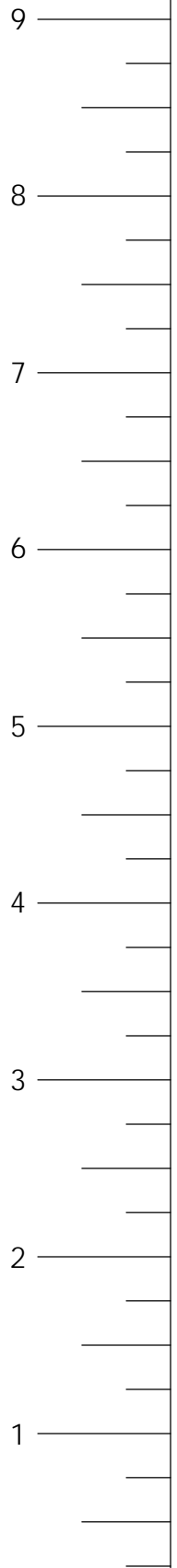
5/16 X 4-1/2"
 HEX BOLT
 QTY: 32



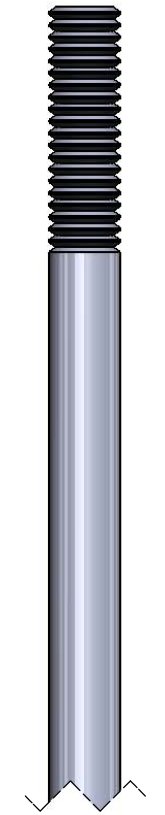
5/16" x 2-1/2"
 HEX BOLT
 QTY: 2



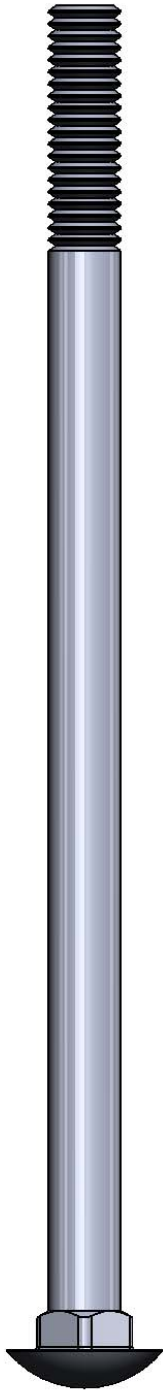
5/16 X 1-1/2"
 HEX BOLT
 QTY: 8



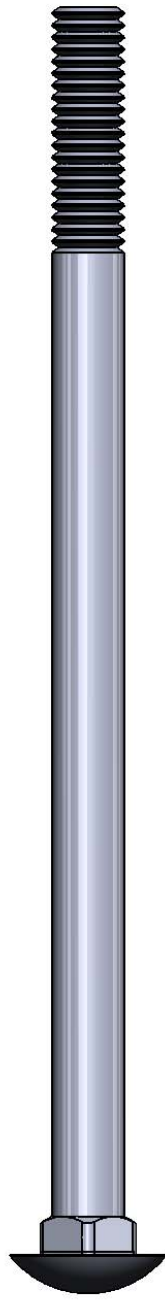
USE THE RULER TO THE RIGHT TO MEASURE YOUR BOLTS AND SCREWS. PICTURE VIEWS SHOWN ABOVE ARE 1:1 SCALE AND CAN BE USED TO MATCH BOLT AND SCREW SIZES.



3/8 x 9"
 CARRIAGE BOLT
 QTY: 1



3/8 x 7"
 CARRIAGE BOLT
 QTY: 12

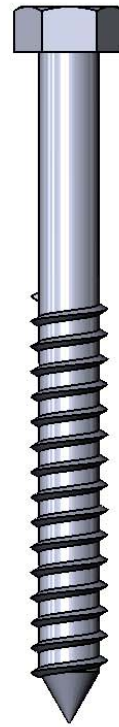


3/8 x 6-1/2"
 CARRIAGE BOLT
 QTY: 4

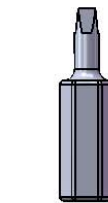
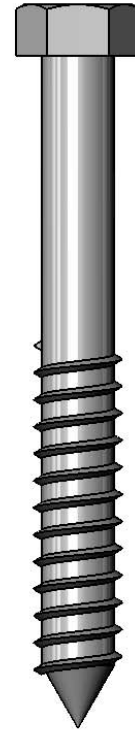


3/8 x 3-1/2"
 CARRIAGE BOLT
 QTY: 2

5/16" X 3-1/2"
 HEX LAG
 SCREW
 QTY: 26



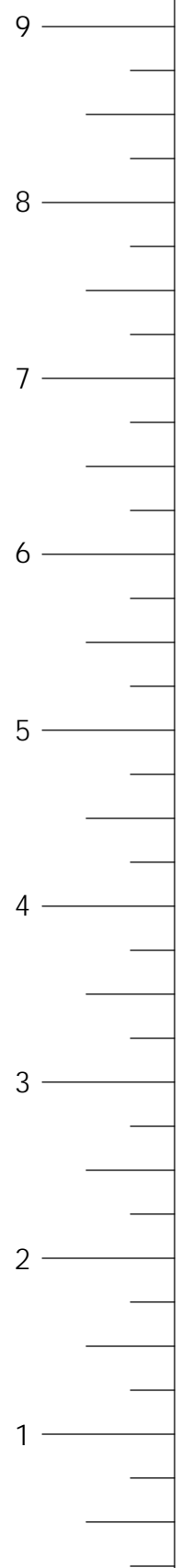
3/8 X 3-1/2"
 HEX LAG
 SCREW
 QTY: 12




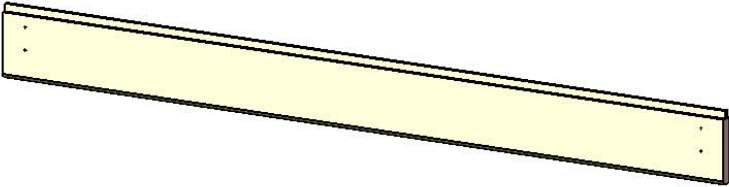

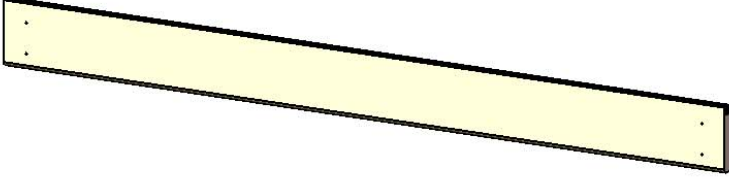

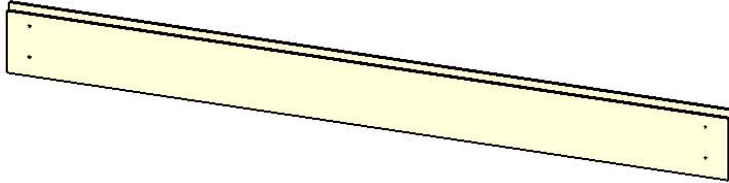
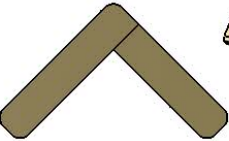
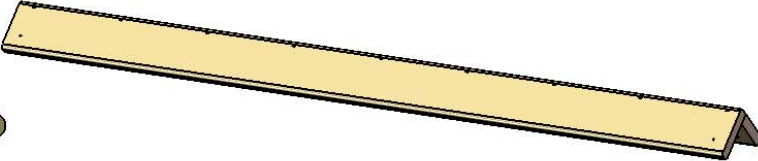
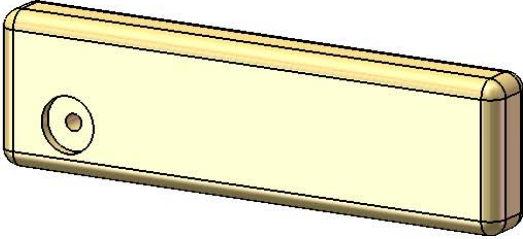
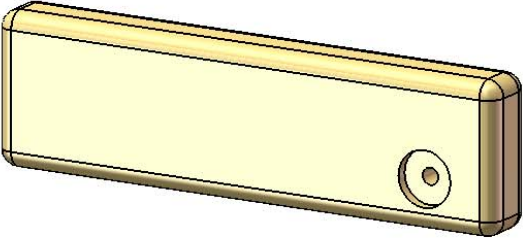
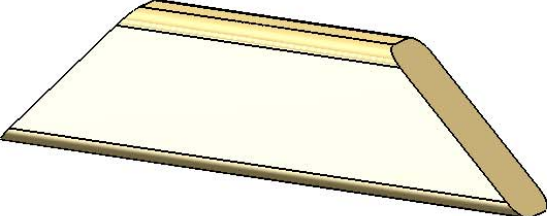
#2 SQUARE
 DRILL BIT
 QTY: 1

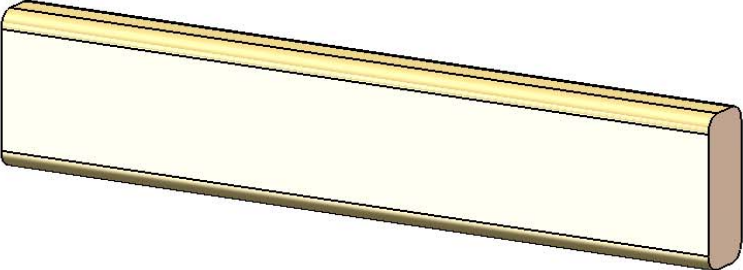
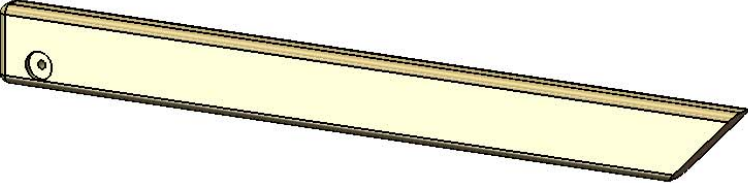
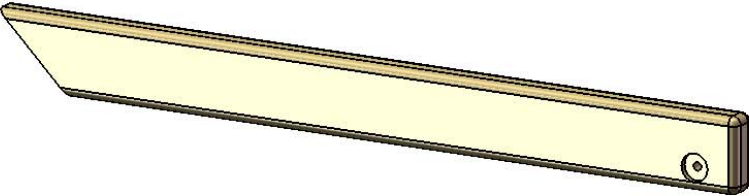
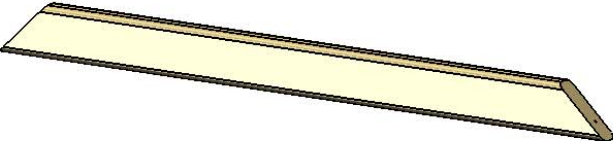
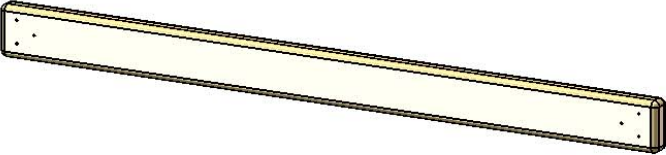
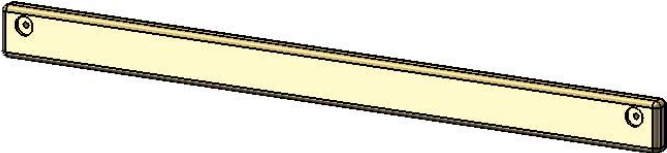
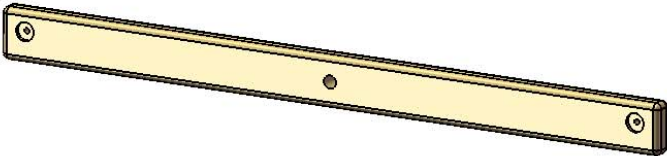


PLASTIC
 BOLT CAP
 QTY: 19

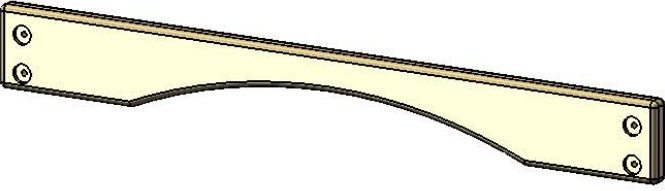
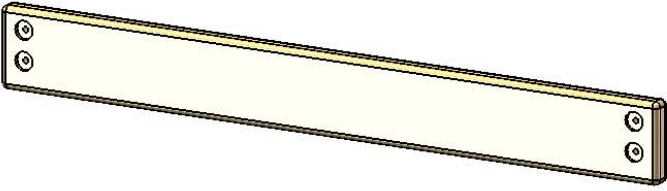
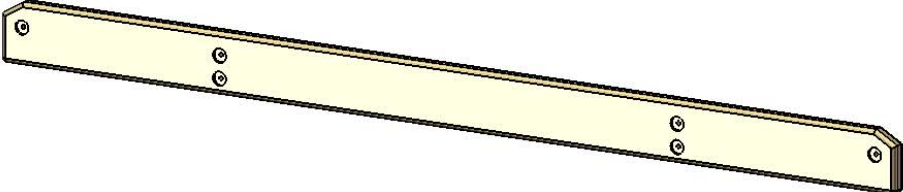
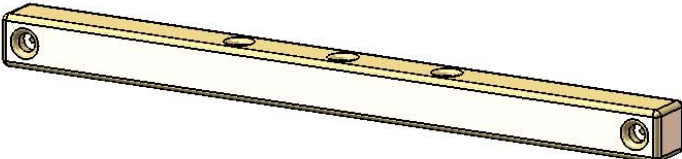
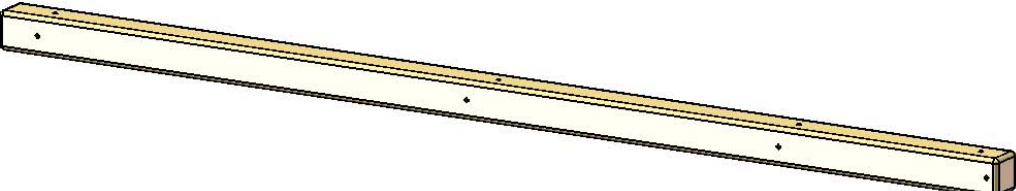
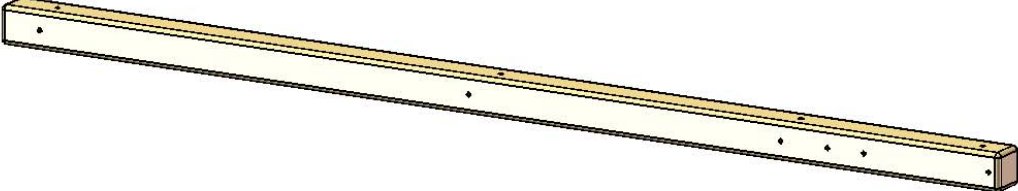
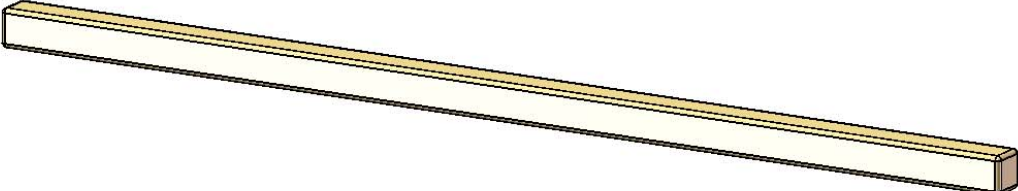


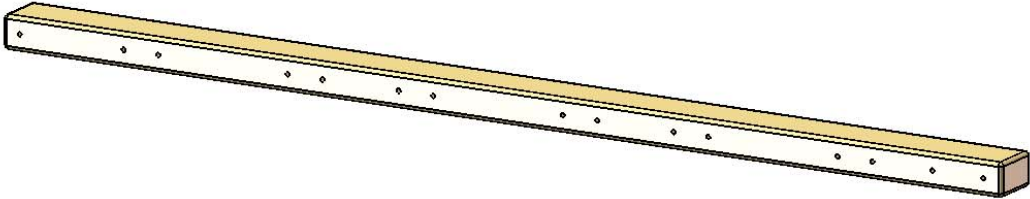
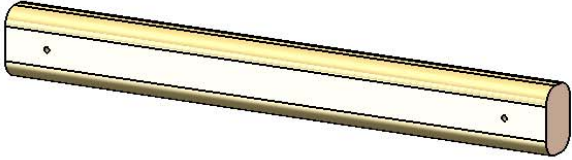
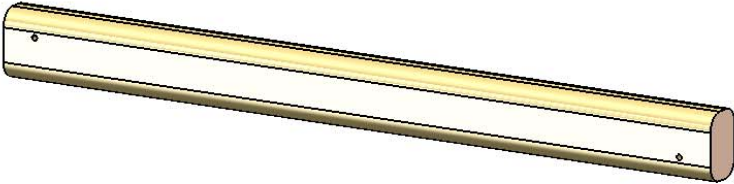
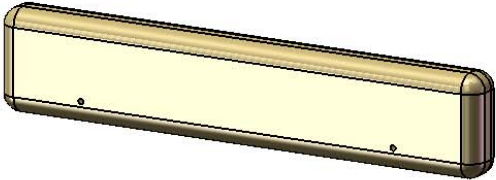
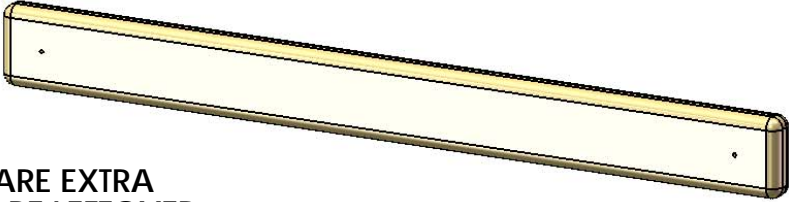
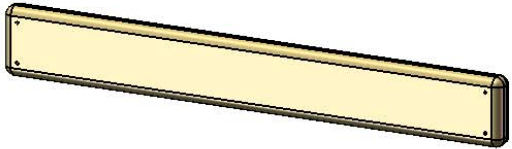
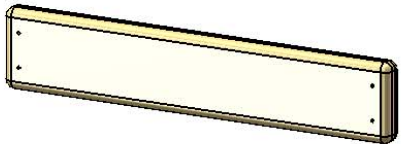
USE THE RULER TO THE RIGHT TO MEASURE YOUR BOLTS AND SCREWS. PICTURE VIEWS SHOWN ABOVE ARE 1:1 SCALE AND CAN BE USED TO MATCH BOLT AND SCREW SIZES.

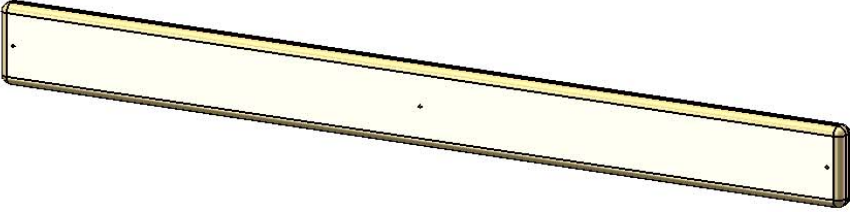
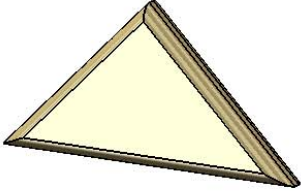
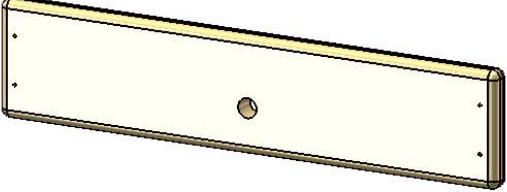
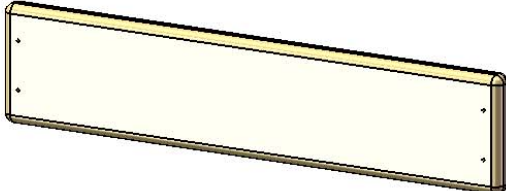
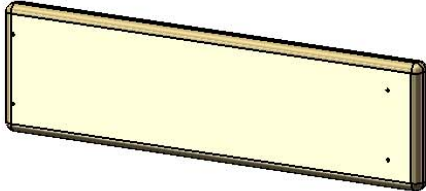
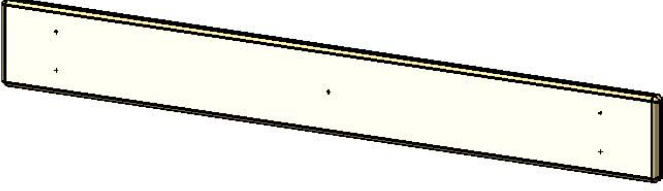
| PICTURE | DESCRIPTION | QTY. |
|---|---|-----------|
|   | <p>1 X 5 X 52" ROOF FINISHER (TONGUE ONLY) 1-5-5200-RF</p> | <p>2</p> |
|   | <p>1 X 5 X 52" ROOF STARTER (GROOVE ONLY) 1-5-5200-RS</p> | <p>2</p> |
|   | <p>1 X 5 X 52" ROOF BOARD (TONGUE AND GROOVE) 1-5-5200-RB</p> | <p>14</p> |
|   | <p>3-1/2 X 3-1/2 X 52" ROOF PEAK 1-6-5200-RP</p> | <p>1</p> |
|  <p data-bbox="847 1335 1097 1461">NOTE: 1 PIECE IS EXTRA AND WILL BE LEFTOVER.</p> | <p>2 X 4 X 12" BOTTOM PANEL BOARD - LEFT 2-4-1200-BPBL</p> | <p>3</p> |
|  <p data-bbox="854 1629 1104 1755">NOTE: 1 PIECE IS EXTRA AND WILL BE LEFTOVER.</p> | <p>2 X 4 X 12" BOTTOM PANEL BOARD - RIGHT 2-4-1200-BPBR</p> | <p>3</p> |
|  | <p>2 X 4 X 13" ANGLE SUPPORT 2-4-1300-AS</p> | <p>8</p> |

| PICTURE | DESCRIPTION | QTY. |
|---|---|----------|
|  | <p>2 X 4 X 17" LADDER STEP 2-4-1700-LS</p> | <p>4</p> |
|  | <p>2 X 4 X 35-1/2" ROOF SUPPORT - LEFT 2-4-3550-RSL</p> | <p>2</p> |
|  | <p>2 X 4 X 35-1/2" ROOF SUPPORT - RIGHT 2-4-3550-RSR</p> | <p>2</p> |
|  | <p>2 X 4 X 43-3/4" SUN SUPPORT 2-4-4375-SS</p> | <p>2</p> |
|  | <p>2 X 4 X 47-3/8" FACE BOARD 2-4-4738-FB</p> | <p>2</p> |
|  | <p>2 X 4 X 47-3/8" PANEL & DECK SUPPORT 2-4-4738-PDS</p> | <p>9</p> |
|  | <p>2 X 4 X 47-3/8" ROCK WALL SIDE TOP PANEL BOARD 2-4-4738-RWSTPB</p> | <p>1</p> |

| PICTURE | DESCRIPTION | QTY. |
|--|--|----------|
|  | 2 X 4 X 47-3/8" STRINGER 2-4-4738-S | 1 |
|  | 2 X 4 X 48" FORT SUPPORT 2-4-4800-FS | 2 |
|  | 2 X 4 X 57" LADDER LEFT SIDE 2-4-5700-LLS | 1 |
|  | 2 X 4 X 57" LADDER RIGHT SIDE 2-4-5700-LRS | 1 |
|  | 2 X 4 X 57" ROCK WALL SIDE 2-4-5700-RWS | 2 |
|  | 2 X 4 X 58" SWING LEG CROSS MEMBER 2-4-5800-CM | 1 |
|  | 2 X 6 X 16" SUN 2-6-1600-S | 2 |

| PICTURE | DESCRIPTION | QTY. |
|---|--|-----------------|
|  | <p>2 X 6 X 47-3/8" ARCHED SIDE TOP BOARD 2-6-4738-ASTB</p> | <p>2</p> |
|  | <p>2 X 6 X 47-3/8" END SANDBOX BOARD 2-6-4738-ESB</p> | <p>3</p> |
|  | <p>2 X 6 X 86" REAR SANDBOX BOARD 2-6-8600-RSB</p> | <p>1</p> |
|  | <p>4 X 4 X 47-3/8" SWING BEAM MOUNT 4-4-4738-SBM</p> | <p>1</p> |
|  | <p>4 X 4 X 96" FRONT CORNER POST 4-4-9600-FCP</p> | <p>2</p> |
|  | <p>4 X 4 X 96" REAR CORNER POST 4-4-9600-RCP</p> | <p>2</p> |
|  | <p>4 X 4 X 96" SWING LEG 4-4-9600-SL</p> | <p>2</p> |

| PICTURE | DESCRIPTION | QTY. |
|--|---|------------------|
|  | <p>4 X 6 X 108" SWING BEAM 4-6-10800-SB</p> | <p>1</p> |
|  | <p>5/4 X 2 X 13" SMALL RAY 125-2-1300-SR</p> | <p>12</p> |
|  | <p>5/4 X 2 X 17" LARGE RAY 125-2-1700-LR</p> | <p>2</p> |
|  | <p>5/4 X 2-1/4 X 11-1/2" HORIZONTAL WINDOW SUPPORT 125-225-1150-HWS</p> | <p>4</p> |
|  <p data-bbox="77 1430 435 1524">NOTE: 4 PIECES ARE EXTRA AND WILL BE LEFTOVER.</p> | <p>5/4 X 3 X 28" PANEL SLAT 125-3-2800-PS</p> | <p>19</p> |
|  | <p>5/4 X 3 X 23-7/8" ROCK WALL TOP CAP 125-3-2388-RWTC</p> | <p>1</p> |
|  | <p>5/4 X 4 X 18-1/2" LADDER BACK 125-4-1850-LB</p> | <p>1</p> |

| PICTURE | DESCRIPTION | QTY. |
|---|---|------------------|
|  | <p>5/4 X 4 X 40-1/2" DECK SPACER 125-4-4050-DS</p> | <p>2</p> |
|  | <p>5/4 X 6 X 10-1/2" ROOF PEAK SUPPORT 125-6-1050-RPS</p> | <p>2</p> |
|  | <p>5/4 X 5 X 23-7/8" BOTTOM ROCK WALL BOARD 125-5-2388-BRWB</p> | <p>1</p> |
|  | <p>5/4 X 5 X 23-7/8" ROCK WALL BOARD 125-5-2388-RWB</p> | <p>10</p> |
|  | <p>5/4 X 6 X 20" VERTICAL WINDOW SUPPORT 125-6-2000-VWS</p> | <p>3</p> |
|  | <p>5/4 X 6 X 47-3/8" DECK BOARD 125-6-4738-DB</p> | <p>7</p> |
| | | <p>23</p> |

PICTURE

DESCRIPTION

QTY.



WAVE
SLIDE
03-0010

2

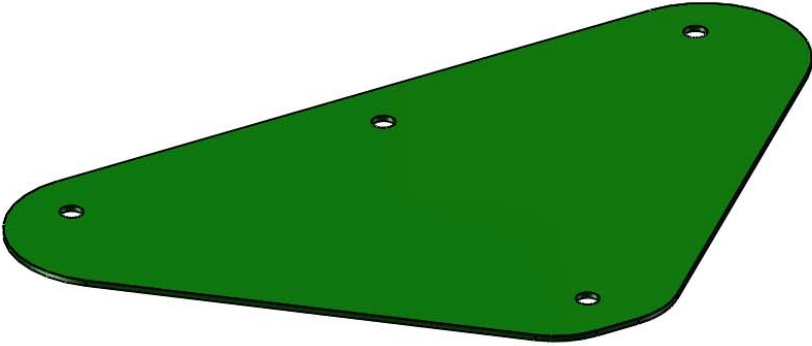
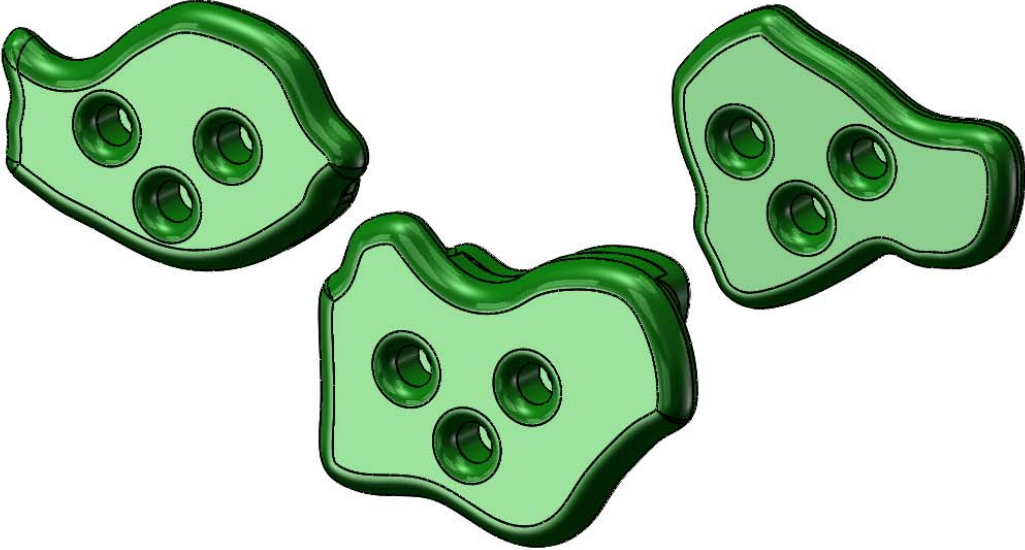
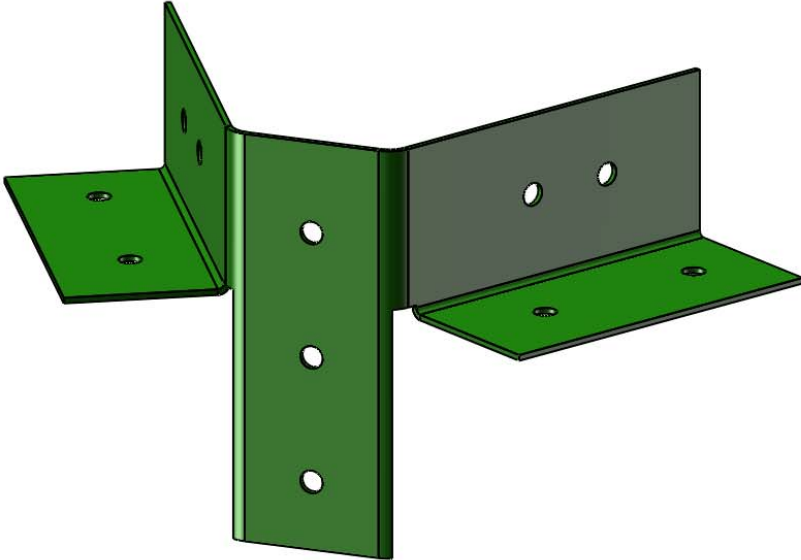


SWING
W/CHAINS
04-0002

2

TRAPEZE
BAR
W/CHAINS
04-0006

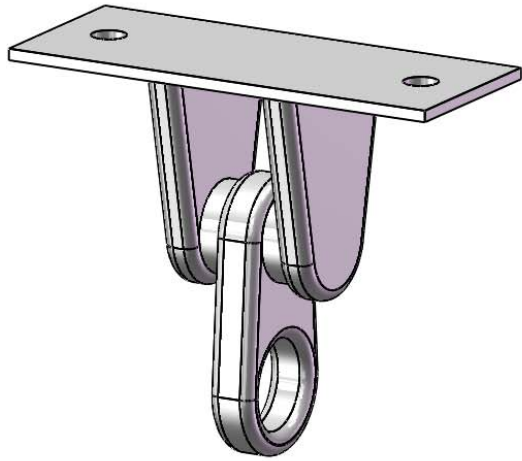
1

| PICTURE | DESCRIPTION | QTY. |
|--|---|----------------------------|
|  | <p>SWING PLATE 11-5002</p> | <p>1</p> |
|  | <p>CLIMBING ROCKS (07-0008 IS A PACK OF 5)</p> | <p>10 ROCKS</p> |
|  | <p>A-FRAME SWING LEG BRACKET 11-5010</p> | <p>1</p> |
| <p>HARDWARE BOX: 301</p> | <p>301 11-0020</p> | <p>1</p> |

PICTURE

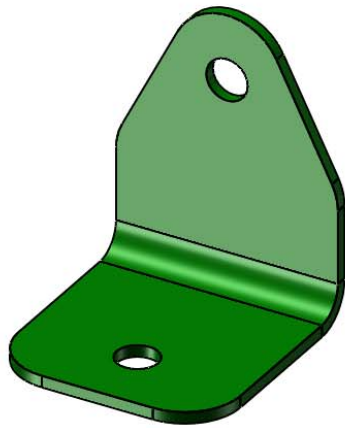
DESCRIPTION

QTY.



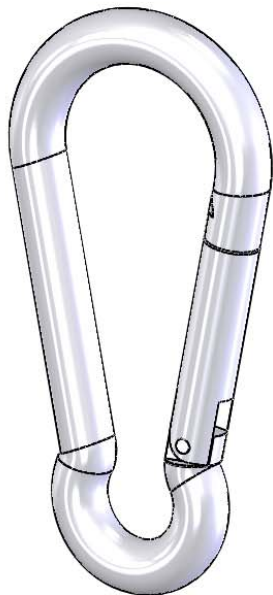
IRON
DUCTILE
SWING
HANGERS
11-4012

6



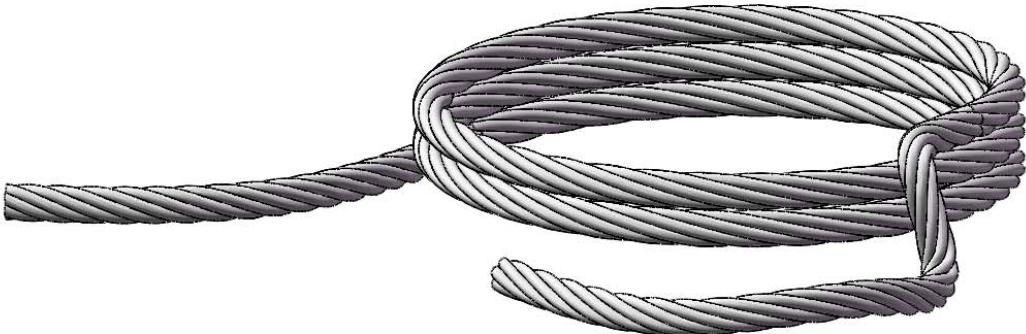
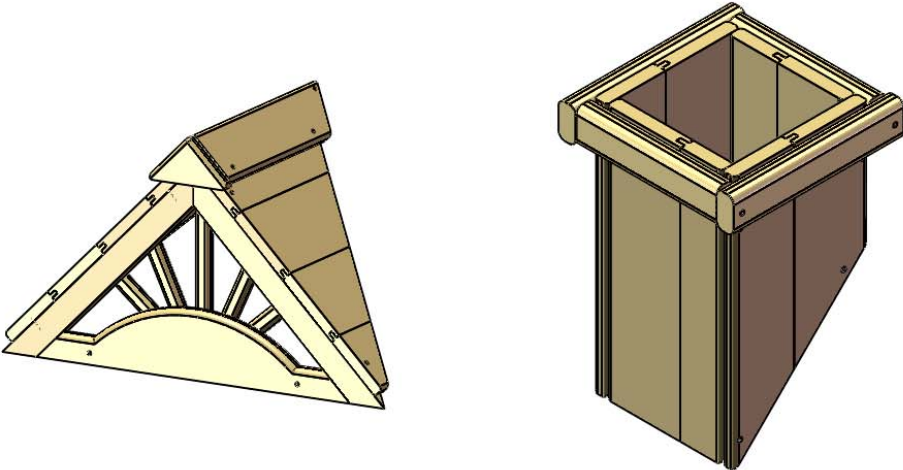
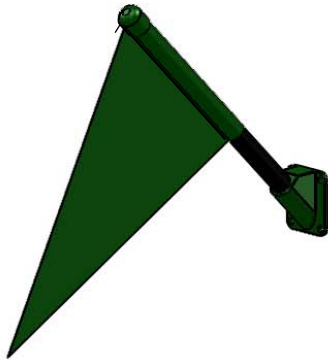
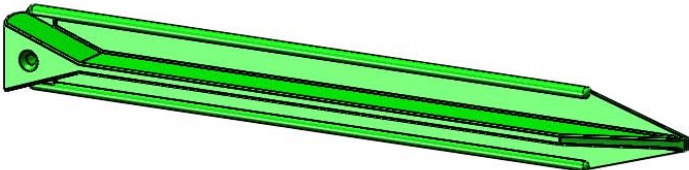
90° GREEN
BRACKET
11-5013

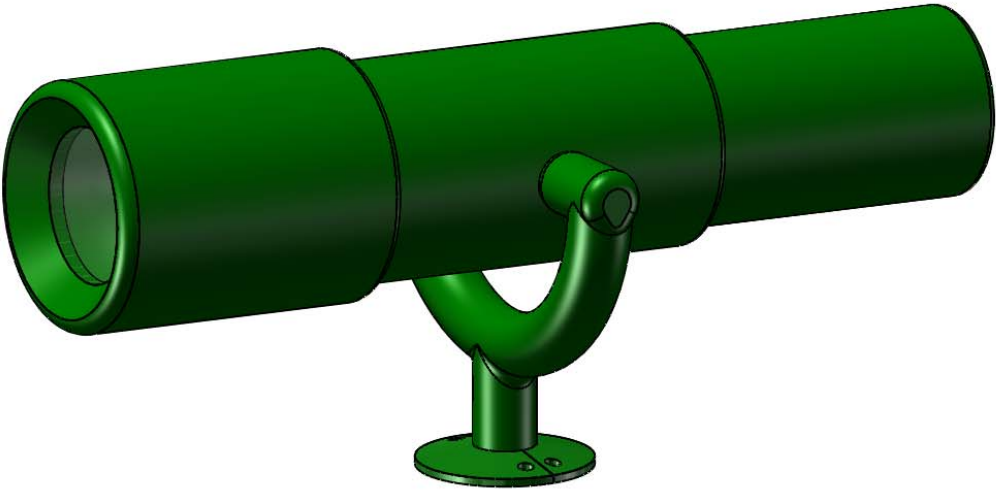

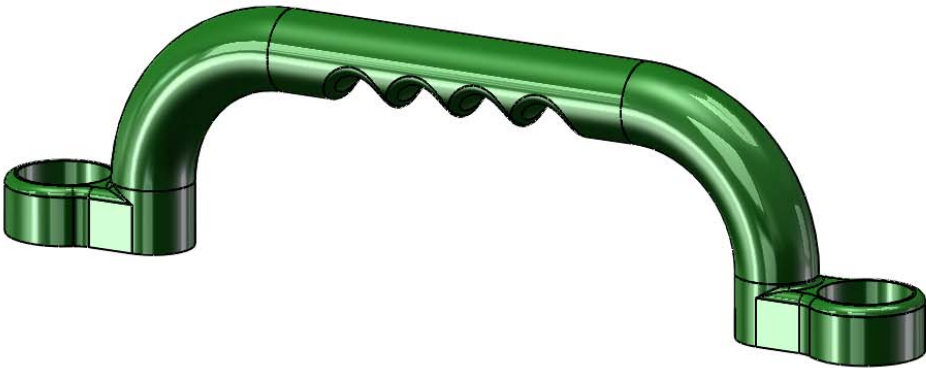
2

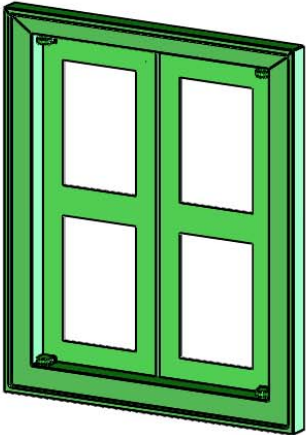
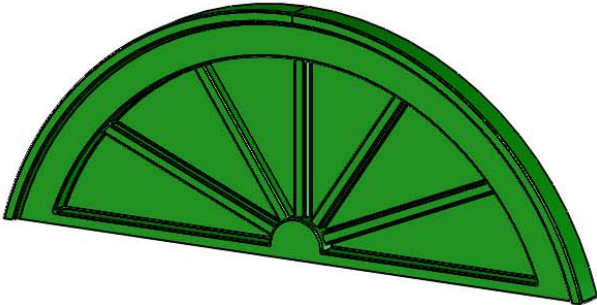



SPRING
CLIP
11-4003

6

| PICTURE | DESCRIPTION | QTY. |
|--|--|-----------------------|
|  | <p>10' ROPE (GREEN)</p> | <p>1</p> |
|  | <p>DORMERS AND CHIMNEY (UNASSEMBLED) 310 BOX</p> | <p>1</p> |
|  | <p>FLAG KIT 09-1014</p> | <p>2</p> |
|  | <p>GROUND STAKE (PAIR) 07-0016</p> | <p>2_{pr}</p> |

| PICTURE | DESCRIPTION | QTY. |
|--|--|-------------|
|  | <p>TELESCOPE 07-0001</p> | <p>1</p> |
|  | <p>STEERING WHEEL 07-0004</p> | <p>1</p> |
|  | <p>SAFETY HANDLES (PAIR) 07-0005</p> | <p>1 pr</p> |

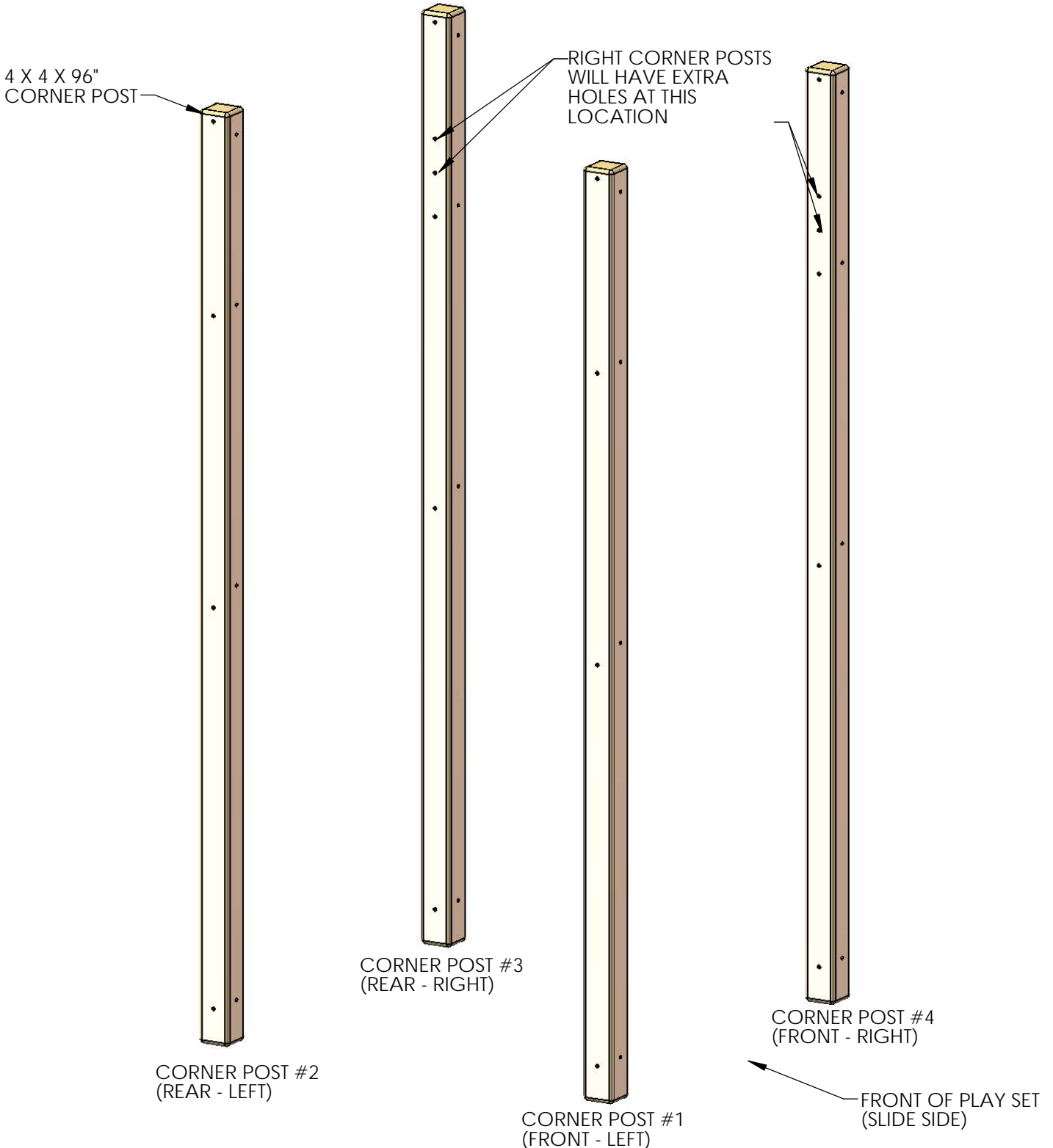
| PICTURE | DESCRIPTION | QTY. |
|---|--|----------|
|  | <p>WINDOW 07-0013</p> | <p>2</p> |
|  | <p>CROWN 07-0019</p> | <p>1</p> |
|  | <p>TIC TAC TOE (UNASSEMBLED) 07-0010</p> | <p>1</p> |
| <p>(NOT SHOWN)</p> | <p>MANUFACTURER LOGO PLATE</p> | <p>1</p> |

STEP 1: CORNER POST LAYOUT

1: This step is critical to building the fort properly. If any mistakes are made here, you will need to dis-assemble and then re-assemble to make your corrections.

2: Lay out each of the 4 x 4 x 96" Corner Posts in the area you intend on building the fort side of the playset.

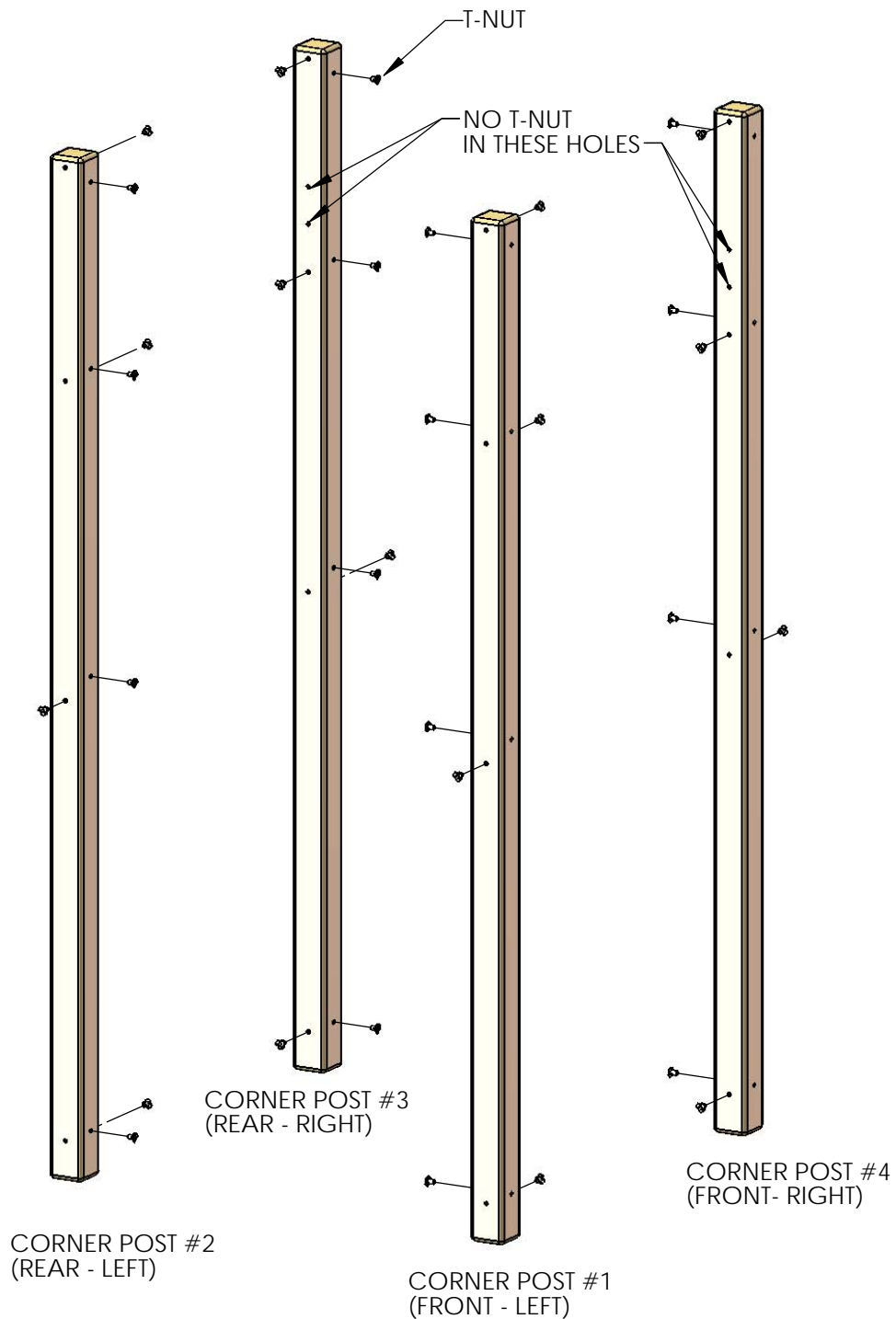
3: Use the diagram below to correctly identify and orient the necessary direction the posts should face. Note: the Slide side is considered the front of the playset with the swing beam extending off the right side.



STEP 2: INSERTING T-NUTS INTO CORNER POSTS

1: Use a hammer to seat the t-nuts after inserting them into the holes shown in the diagram below.

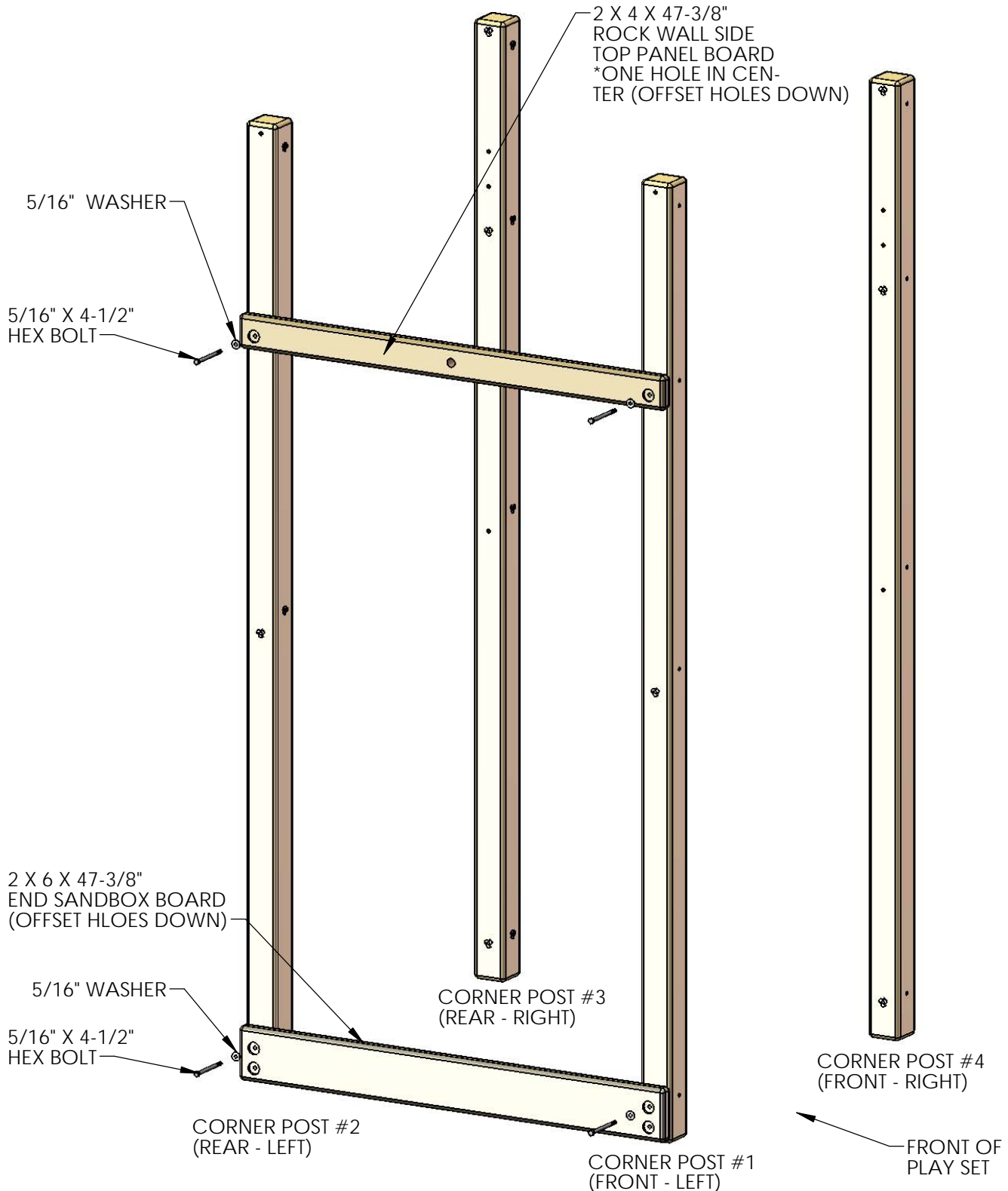
2: The barrel of the t-nut should go in the hole first. Hammer the t-nut until it is flush/almost flush to the corner posts. No t-nuts will be installed in the Right Corner Posts where shown below.



STEP 3: SANDBOX AND PANEL BOARD

1: The top holes of the 2 x 6 x 47-3/8" End Sandbox Board (with four pre-drilled holes) attach to the bottom of the Left Corner Posts, offset holes down with two 5/16" x 4-1/2" hex bolts and two 5/16" washers.

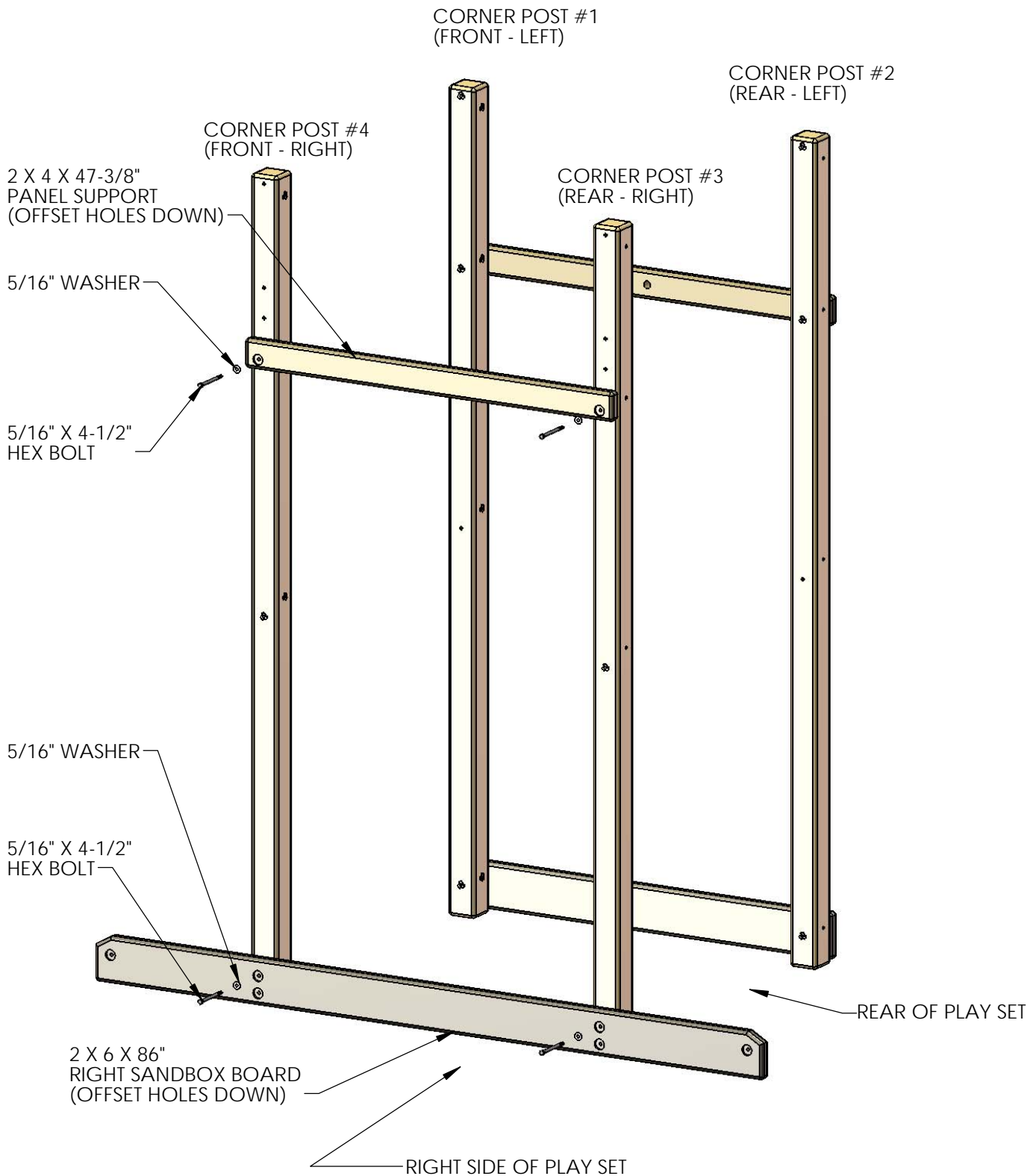
2: The 2 x 4 x 47-3/8" Rock Wall Side Top Panel Board (with two pre-drilled holes) attaches to the side of the Left Corner Posts, offset holes down, with two 5/16" x 4-1/2" hex bolts and two 5/16" washers.



STEP 4: REAR SANDBOX/PANEL SUPPORT BOARD

1: The 2 x 4 x 47-3/8" Panel Support (offset holes down) attaches to the side of the Right Corner Posts with two 5/16" x 4-1/2" hex bolts and two 5/16" washers.

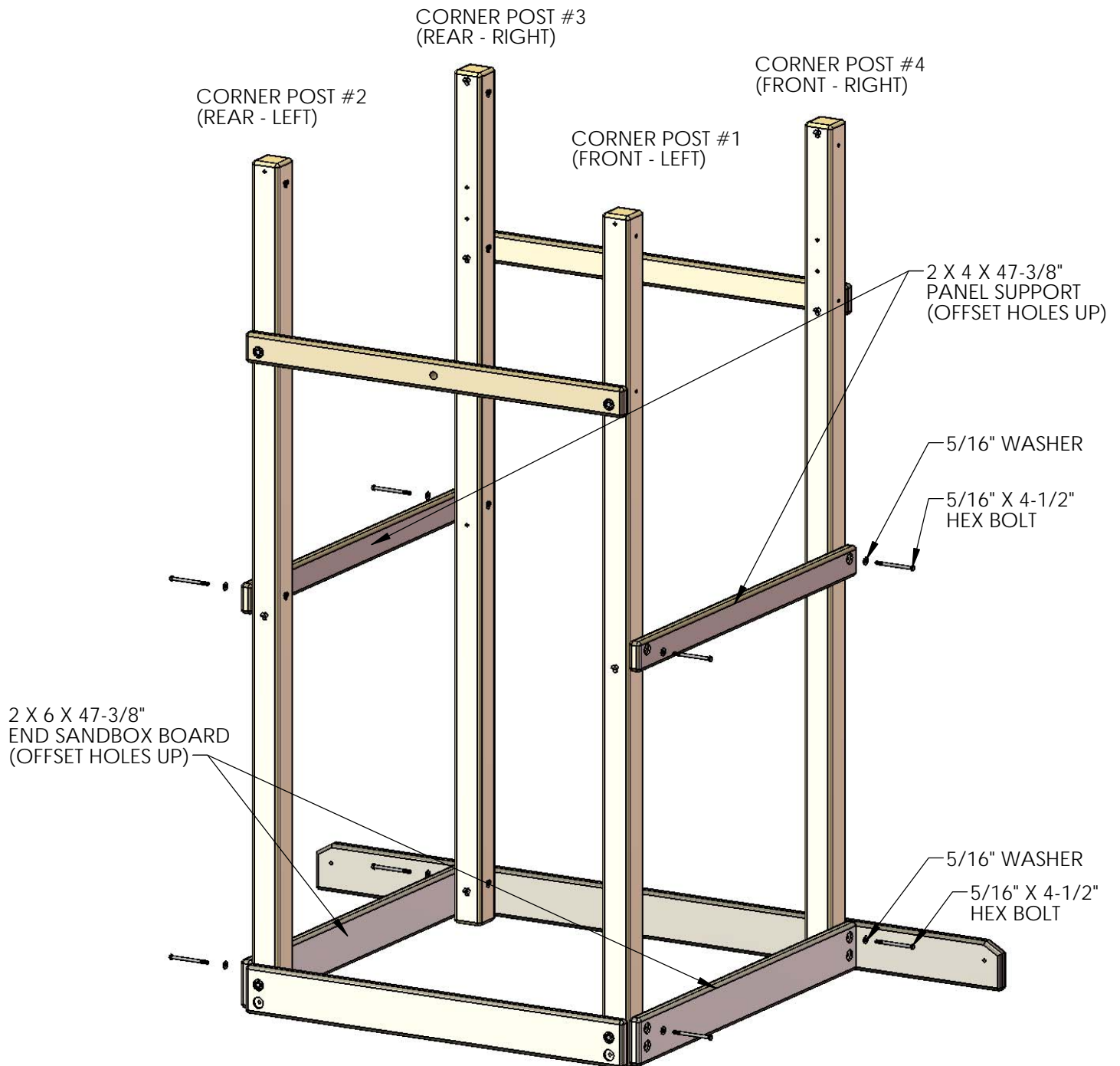
2: The 2 x 6 x 86" Right Sandbox Board (offset holes down) attaches to the side of the Right Corner Posts with two 5/16" x 4-1/2" hex bolts and two 5/16" washers into the topmost holes in the Right Sandbox Board.



STEP 5: SANDBOX BOARDS AND PANEL SUPPORT

1: The 2 x 4 x 47-3/8" Panel Supports (offset holes up) attach to the sides of the front and rear corner posts with two 5/16" x 4-1/2" hex bolts and two 5/16" washers.

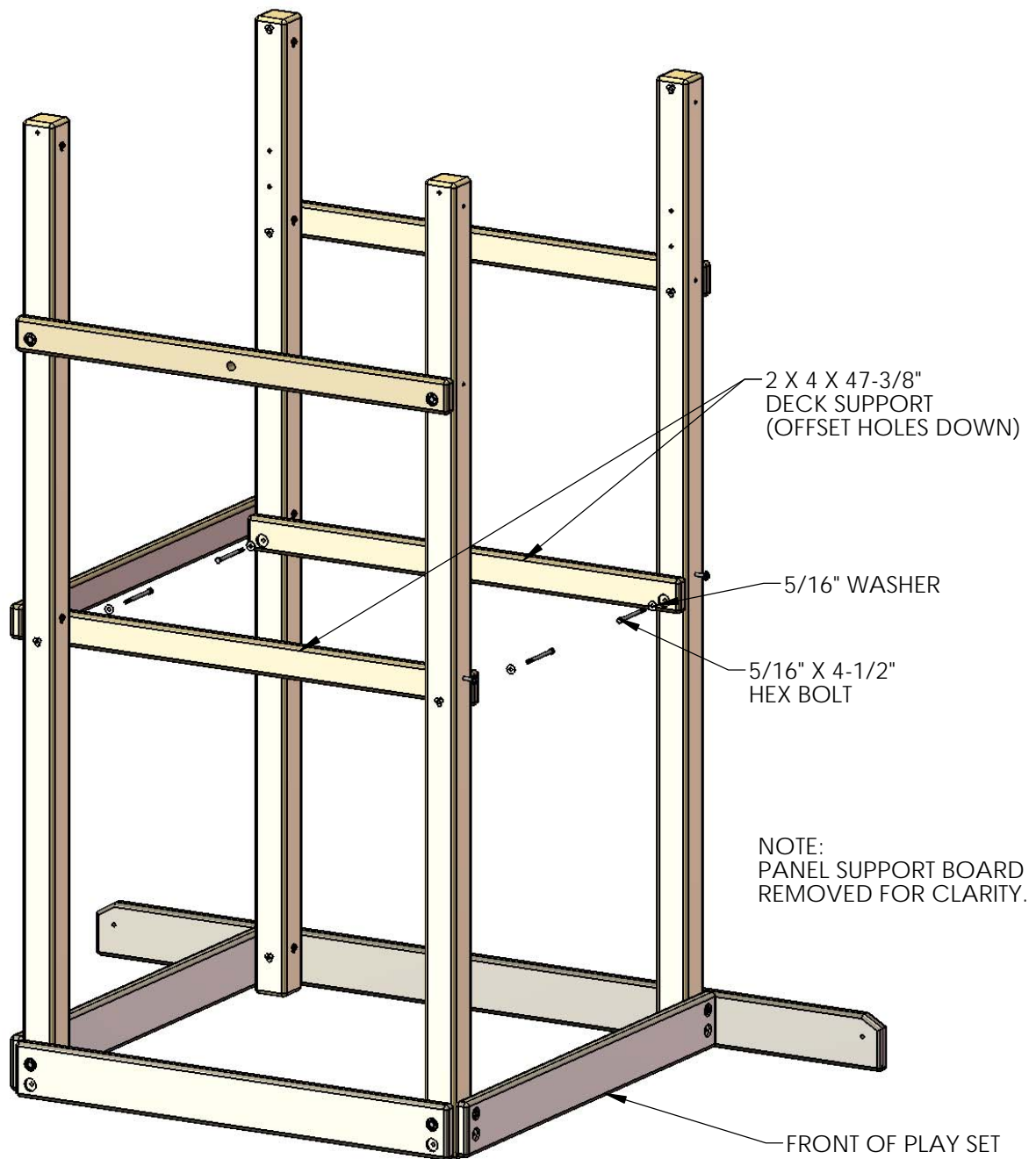
2: Attach the top holes in the 2 x 6 x 47-3/8" End Sandbox Boards (offset holes up) to the sides of the front and rear corner posts with two 5/16" x 4-1/2" hex bolts and two 5/16" washers. The structure should be able to stand on its own, without any support, at this stage.



STEP 6: DECK SUPPORTS

1: Attach one Deck Support (offset holes down) to the inside of the Left and Right Corner Posts with two 5/16" x 4-1/2" hex bolts and 5/16" washers.

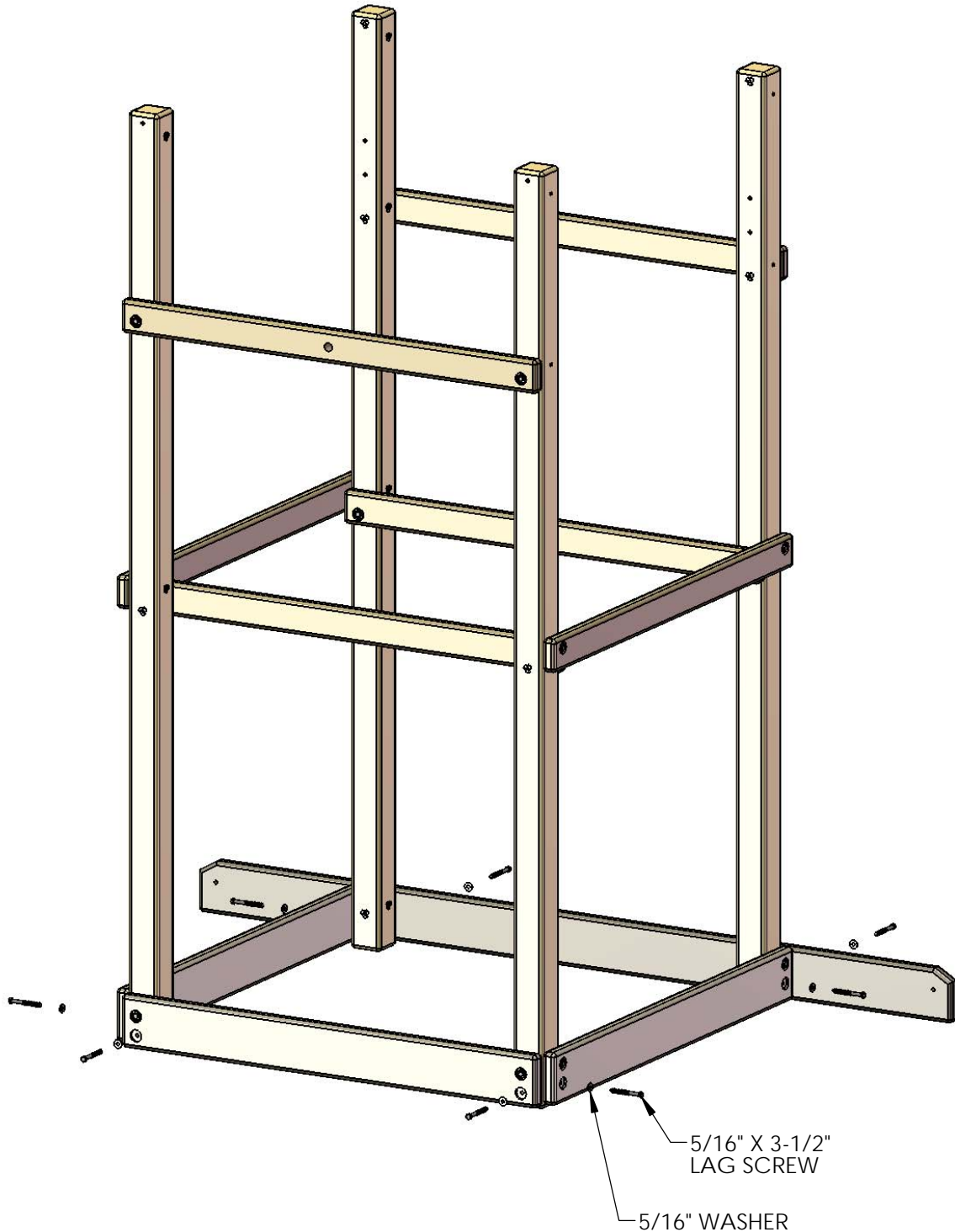
Note: One Panel Support Board was removed for clarity.



STEP 7: LEVELING THE PLAY SET AND INSTALLING LAG SCREWS

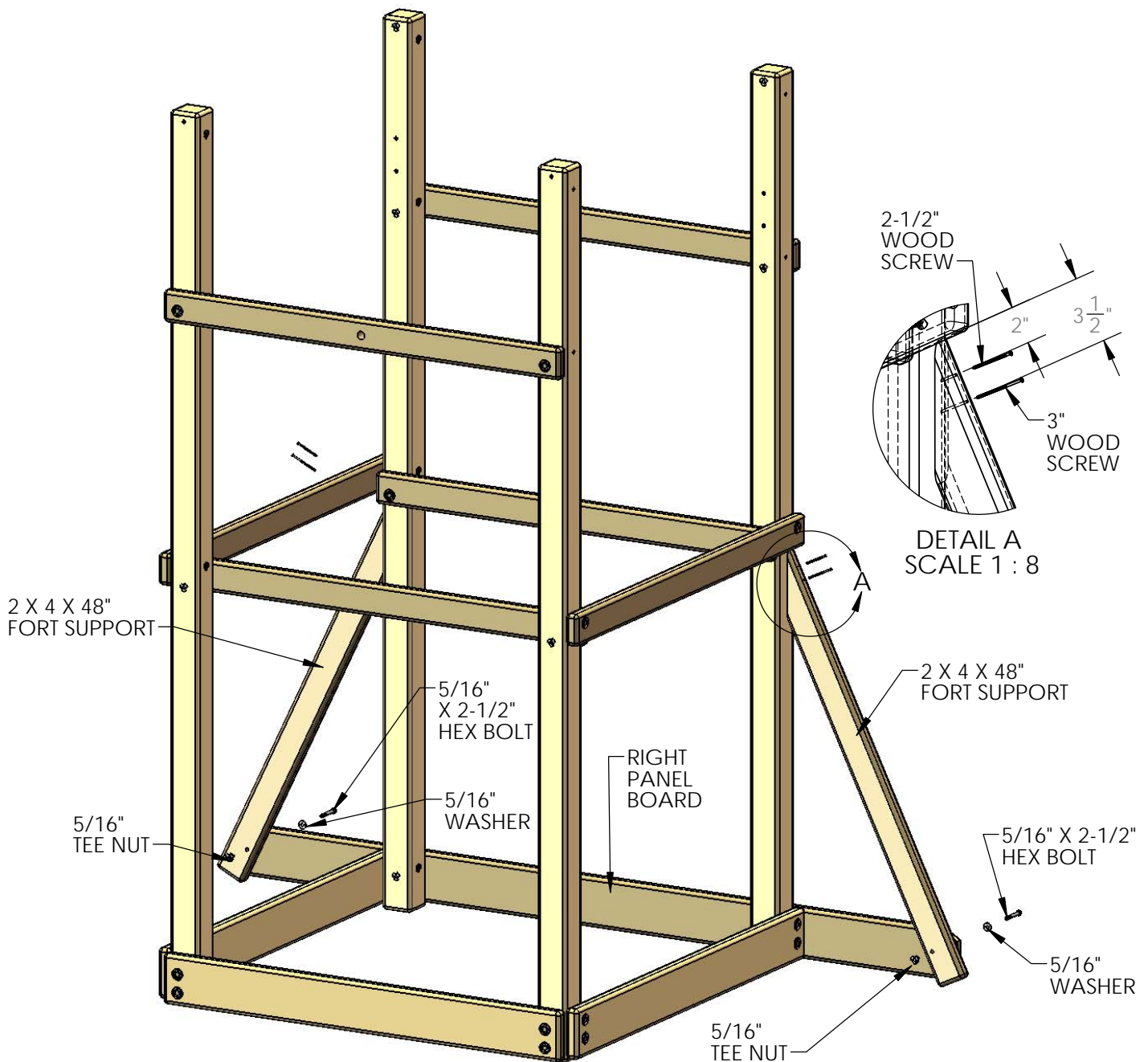
1: Level your play set frame. Level side to side and front to back. Check the diagonals for square. Once you have a level and square play set frame you may install lag screws.

2: Install one 5/16" x 3-1/2" Lag Screw with 5/16" washer into the empty holes in all of the 2 x 6 parts at the base of the play set frame.



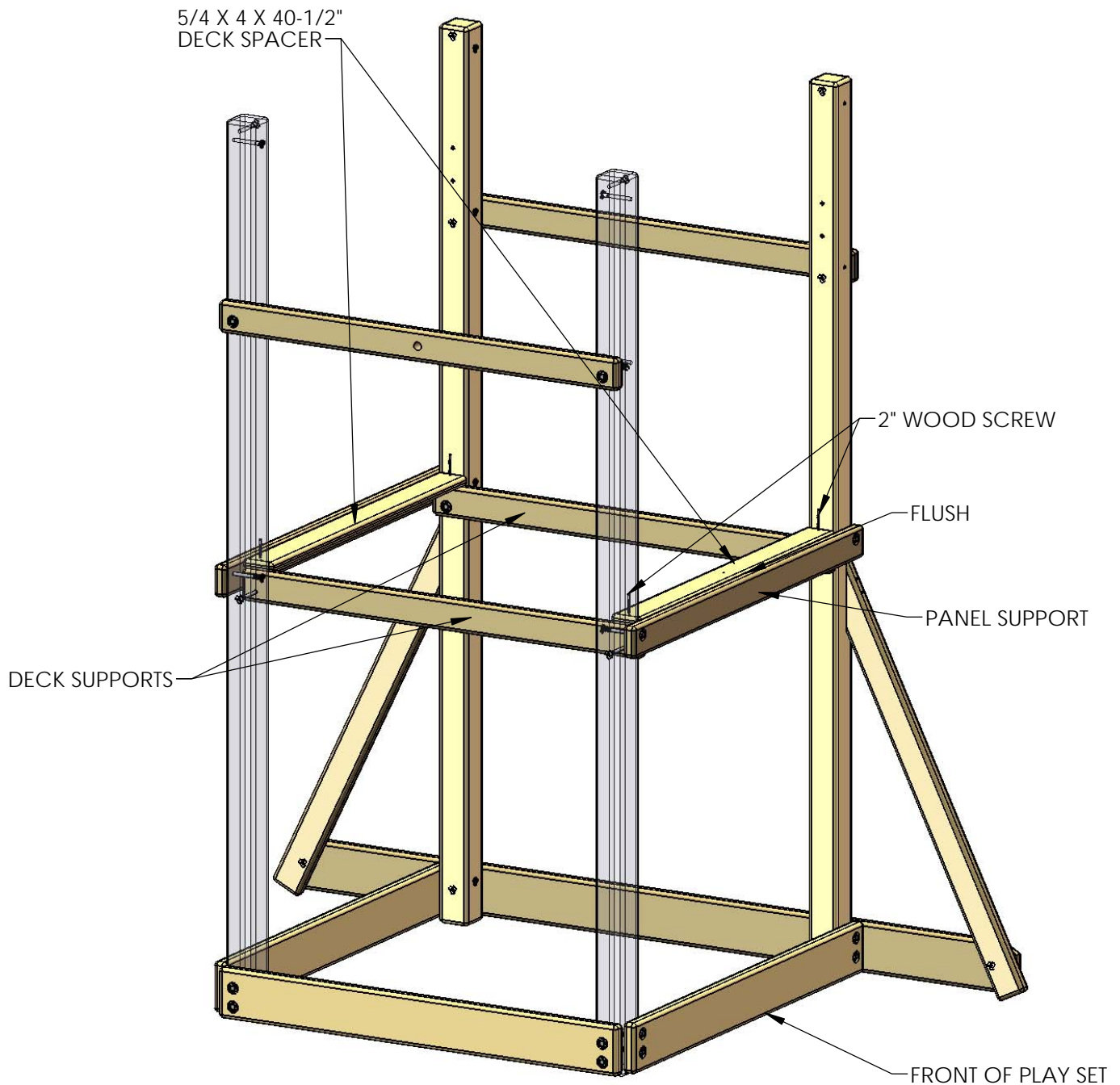
STEP 8: FORT SUPPORTS

- 1: Place a 5/16" Tee Nut into the hole in the Fort Supports as shown.
- 2: From the inside of the Right Panel Board loosely attach each Fort Support with one 5/16" x 2-1/2" Hex Bolt and one 5/16" washer.
- 3: Measure 2" and 3-1/2" down from the tip of each Fort Support and drill a 1/8" hole through the Fort Support along the center. (See Detail A)
- 4: Place each Fort Support against the Corner Post. The side of the Fort Support should be flush with the right side of the Right Corner posts.
- 5: Attach the angled end of each Fort Support with one 2-1/2" Wood Screw and one 3" Wood Screw. Tighten each 5/16" x 2-1/2" Hex Bolt.



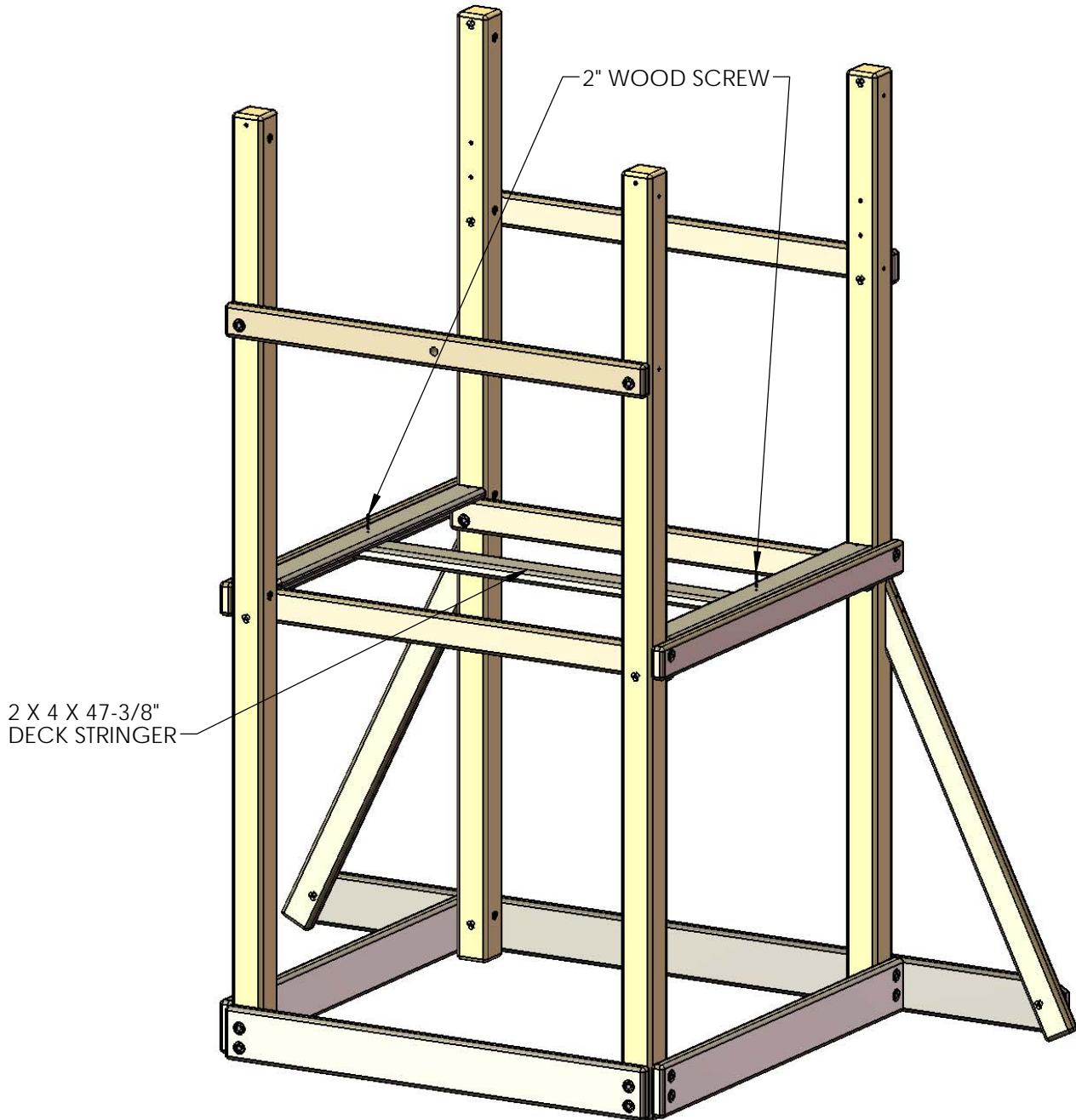
STEP 9: DECK SPACERS

- 1: Place a 5/4 x 4 x 40-1/2" Deck Spacer between the Left and Right Corner Posts on top of the Deck Supports as shown below.
- 2: The Deck Spacer side should be flush with the inside of the Panel Support.
- 3: Attach each Deck Spacer to the Deck Supports with two 2" Wood Screws.



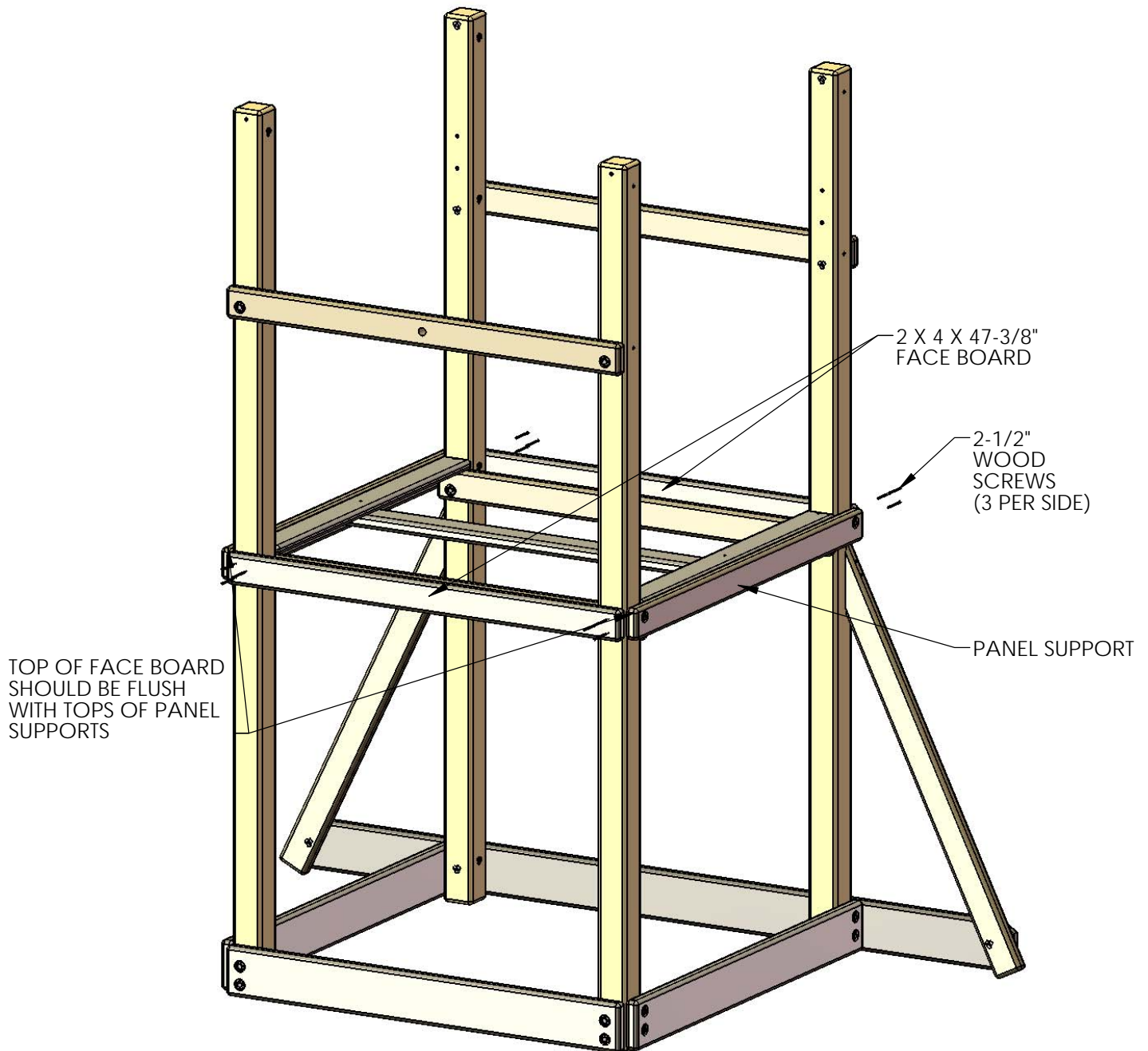
STEP 10: DECK STRINGER

- 1: Center the 2 x 4 x 47-3/8" Deck Stringer underneath the Deck Spacers.
- 2: Attach the Deck Stringer to the Deck Spacers with two 2" Wood Screws.



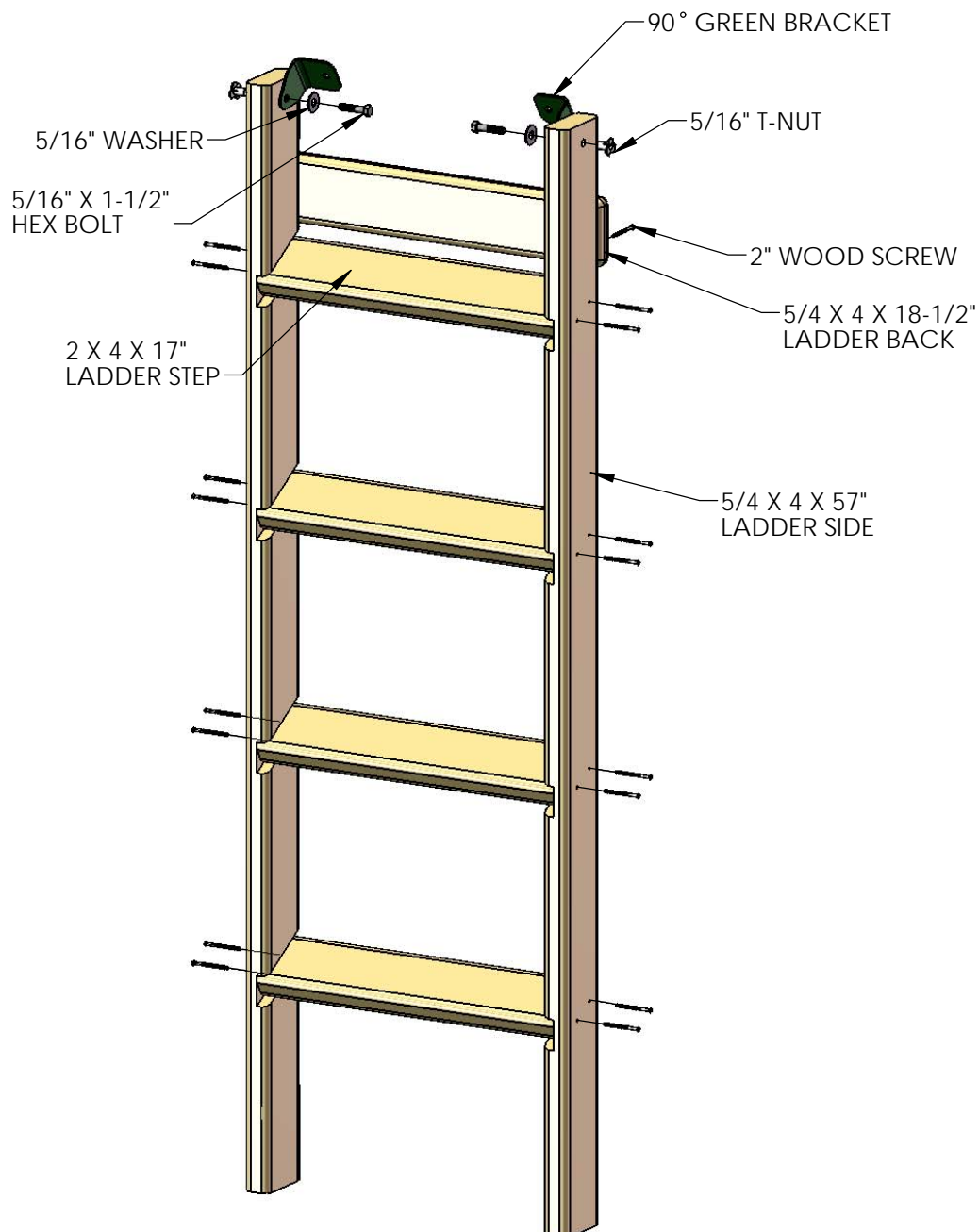
STEP 11: FACE BOARDS

- 1: Locate two 2 x 4 x 47-3/8" Face Boards.
- 2: Attach a Face Board to the front of the Left Corner posts making sure the top side is flush with the top side of the Panel Supports.
- 3: Attach the Face Board with six 2-1/2" wood screws.
- 4: Repeat this process attaching the other Face Board to the right side of the Right Corner posts.



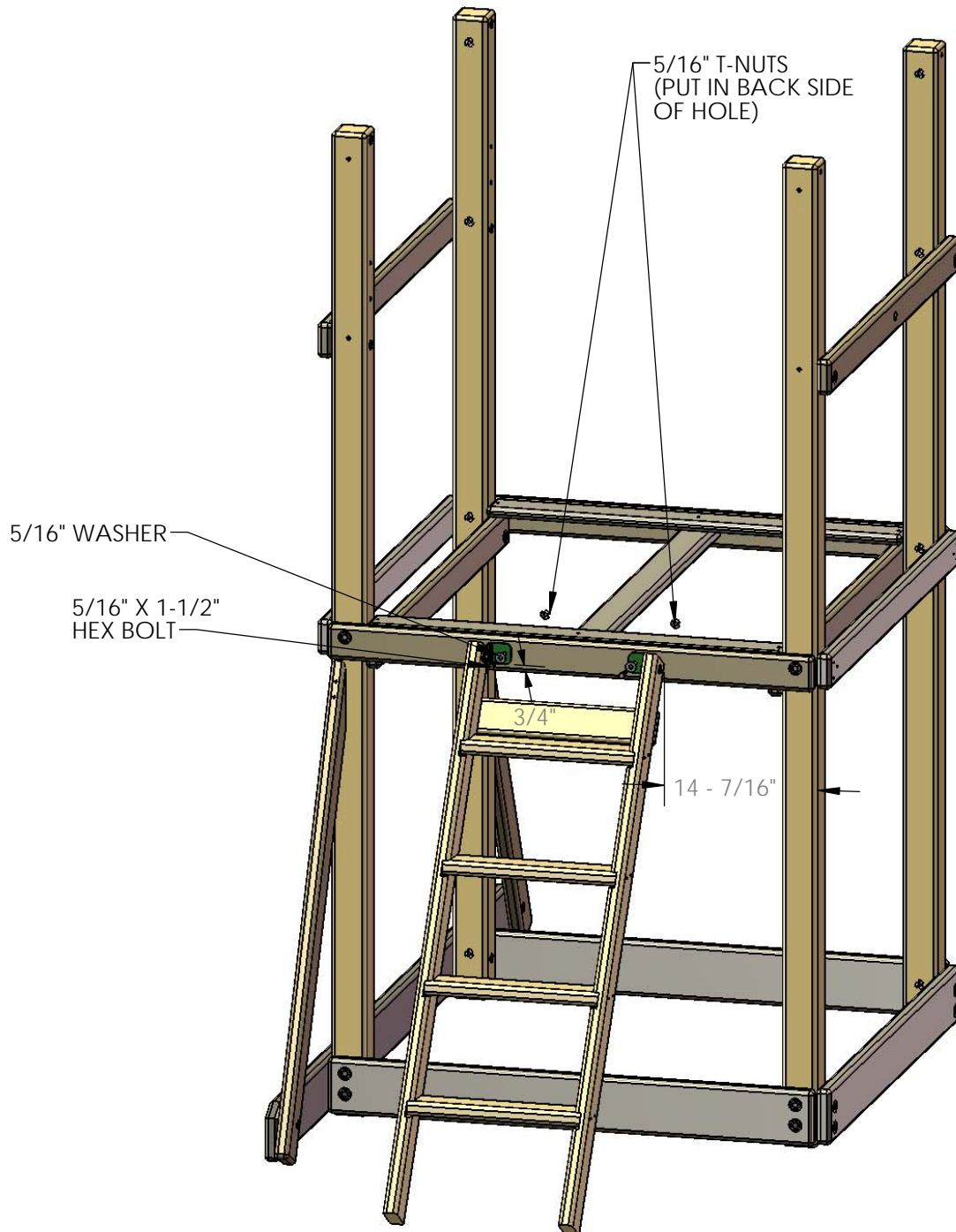
STEP 12: LADDER ASSEMBLY

- 1: Lay one 2 x 4 x 57" Ladder Side on a flat surface with channels facing down. Place the barrel of a T-Nut in the hole at the top of the Ladder Side, and secure with a hammer. Repeat this step for the other Ladder Side.
- 2: Flip the Ladder Side over so that the channels are facing up.
- 3: Place the Ladder Steps into the channels, and then place the second Ladder Side on top, with the channels facing down.
- 4: Now place two 2" wood screws in each step.
- 5: Carefully turn the ladder over and finish the other side with two 2" wood screws per step.
- 6: Install two 90° green brackets using 5/16" x 1-1/2" bolts and 5/16" washers.
- 7: Install the 5/4 x 4 x 18 1/2" ladder back above the opening of the top channels with two 2" wood screw per side.



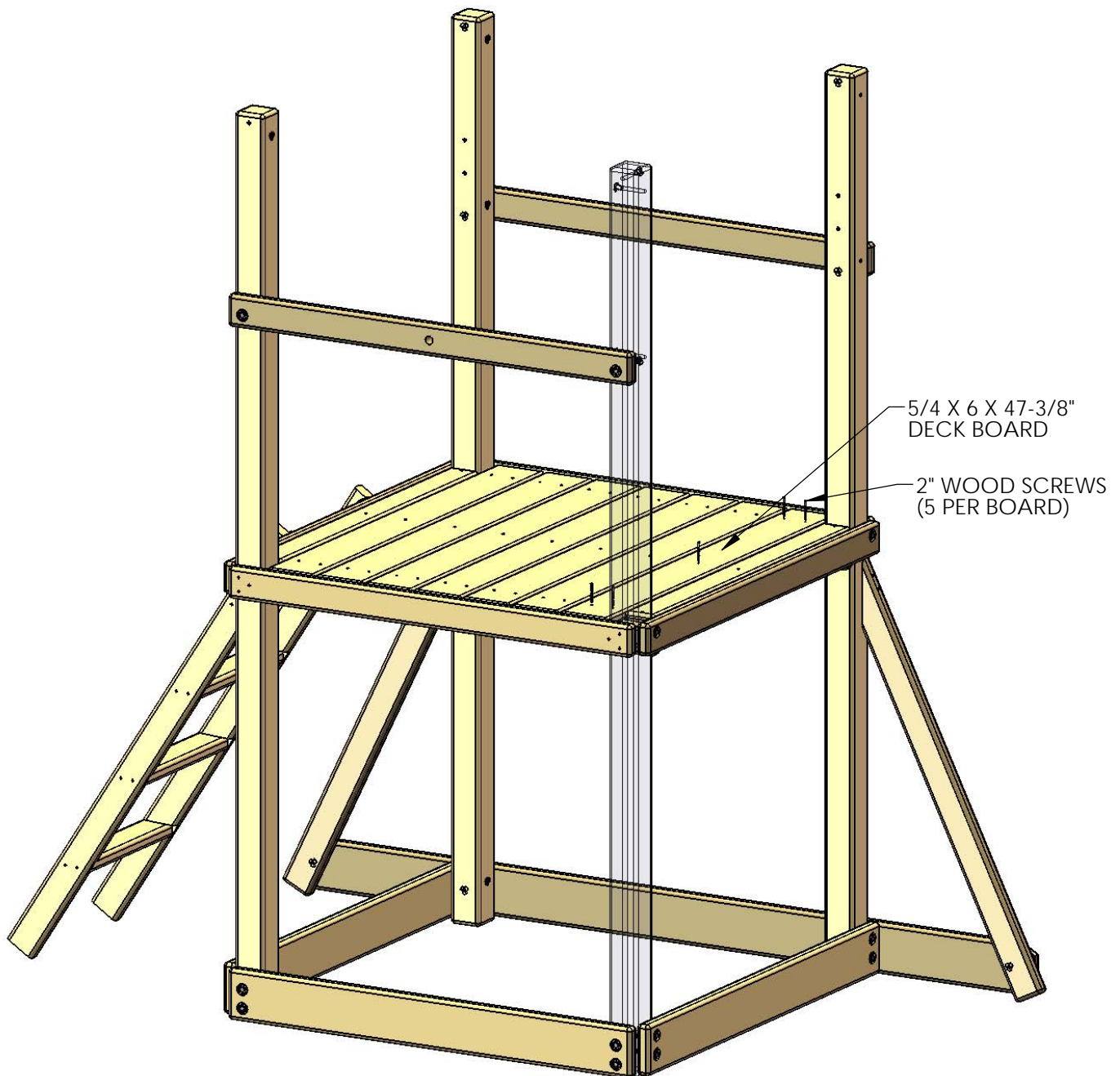
STEP 13: ATTACHING THE LADDER

- 1: The Ladder attaches to the rear of the play set, 14-7/16" from the outside edge of the Rear-Left corner post.
- 2: Make sure the ladder is level. The bottom edge of the 90° brackets should be 3/4" up from the bottom edge of the 2 x 4. Mark the position of the bracket holes on the 2 x 4.
- 3: Drill 3/8" holes where marked.
- 4: Insert 5/16" T-nuts in the back of the holes.
- 5: Attach the 90° brackets to the 2 x 4 with two 5/16" x 1-1/2" hex bolts and two 5/16" washers.



STEP 14: DECK BOARDS

- 1: Seven 5/4 x 6 x 47 3/8" Deck Boards will lay across the Deck Supports, flush to the Face Boards. There will be approximately a 1/4" gap between each Deck Board.
- 2: Space the Deck Boards evenly across the supports.
- 3: Secure each Deck Board to the Deck Supports and the Deck Stringer with five 2" wood screws, two per end and one in the center.



STEP 15: ANGLE SUPPORTS

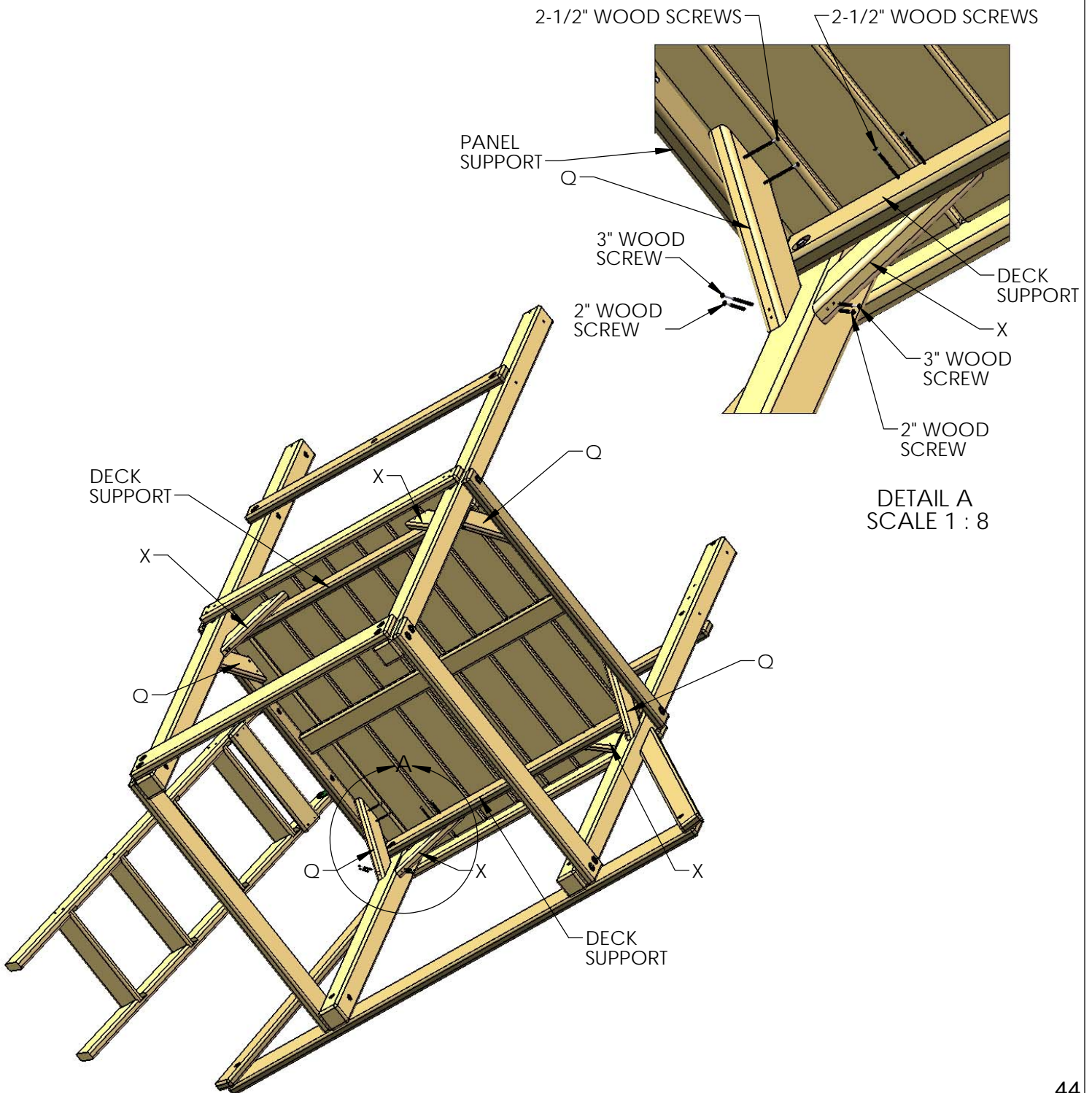
1: Four 2 x 4 x 13" Angle Supports are mounted underneath the deck on the left and right of the fort.

(These are called out by the letter "X")

2: Attach each Angle Support (X) to the Deck Support with two 2-1/2" wood screws at the top going through the Deck Support first and then into the Angle Support (X). Attach the bottom of the Angle Support (X) to the corner post with one 2" wood screw and one 3" wood screw.

3: Two 2 x 4 x 13" Angle Supports are mounted underneath the deck on the front and rear sides of the fort. (These are called out by the letter "Q")

4: Attach each Angle Support (Q) to the Panel Support with two 2-1/2" wood screws at the top going through the Angle Support (Q) first and then into the Panel Support. Attach the bottom of the Angle Support (Q) to the corner post with one 2" wood screw and one 3" wood screw.

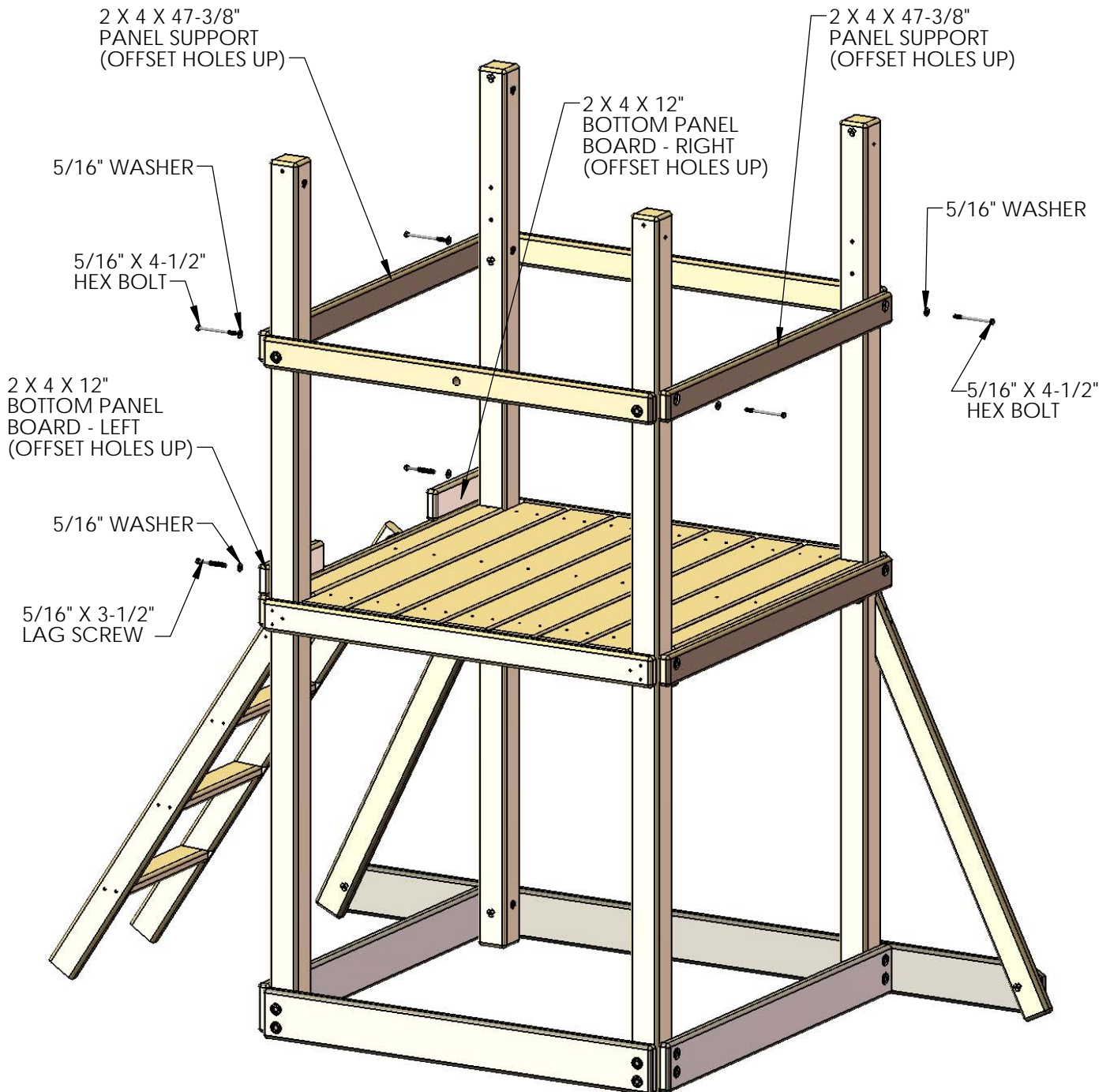


STEP 16: PANEL AND PANEL SUPPORT BOARDS

1: Place the 2 x 4 x 12" Bottom Panel Board - Left and 2 x 4 x 12" Bottom Panel Board - Right on top of the 2 x 4's as shown below with offset holes up. Attach each Bottom Panel Board with one 5/16" x 3-1/2" lag screw and 5/16" washer.

2: Place the 2 x 4 x 47-3/8" Panel Support against the rear of the play set with offset holes up. Attach the Panel Support with two 5/16" x 4-1/2" hex bolts and 5/16" washers.

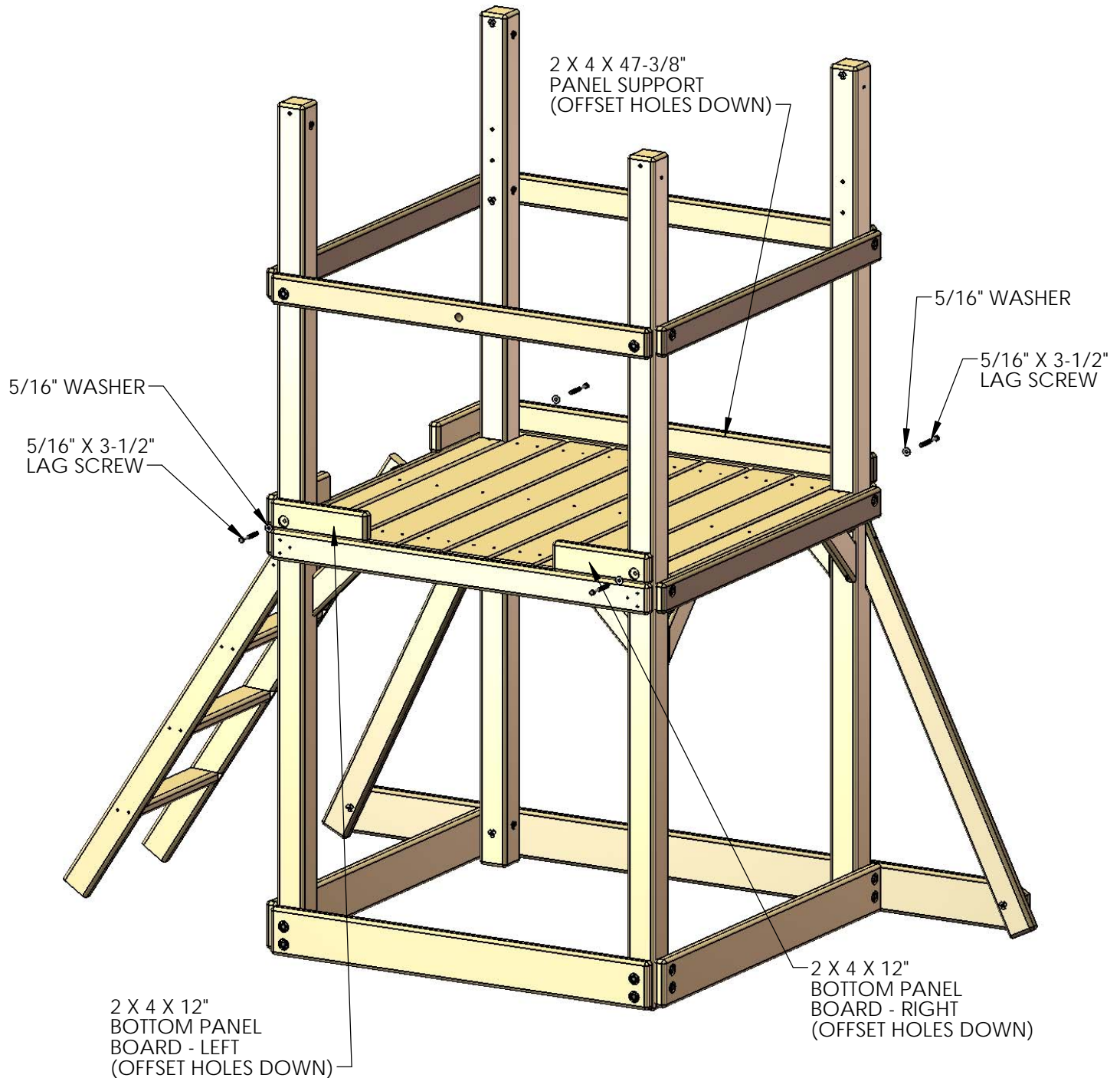
3: Place the 2 x 4 x 47-3/8" Panel Support against the front side of the play set with offset holes up. Attach the Panel Support with two 5/16" x 4-1/2" hex bolts and 5/16" washers.



STEP 17: PANEL BOARDS

1: Place the 2 x 4 x 12" Bottom Panel Board - Left and 2 x 4 x 12" Bottom Panel Board - Right on top of the 2 x 4 at the left side of the play set as shown below with offset holes down. Attach each Bottom Panel Board with one 5/16" x 3-1/2" lag screw and one 5/16" washer.

2: Place the 2 x 4 x 47-3/8" Panel Support on top of the 2 x 4 at the right side of the play set with offset holes down. Attach the Panel Support with two 5/16" x 3-1/2" lag screws and two 5/16" washers.

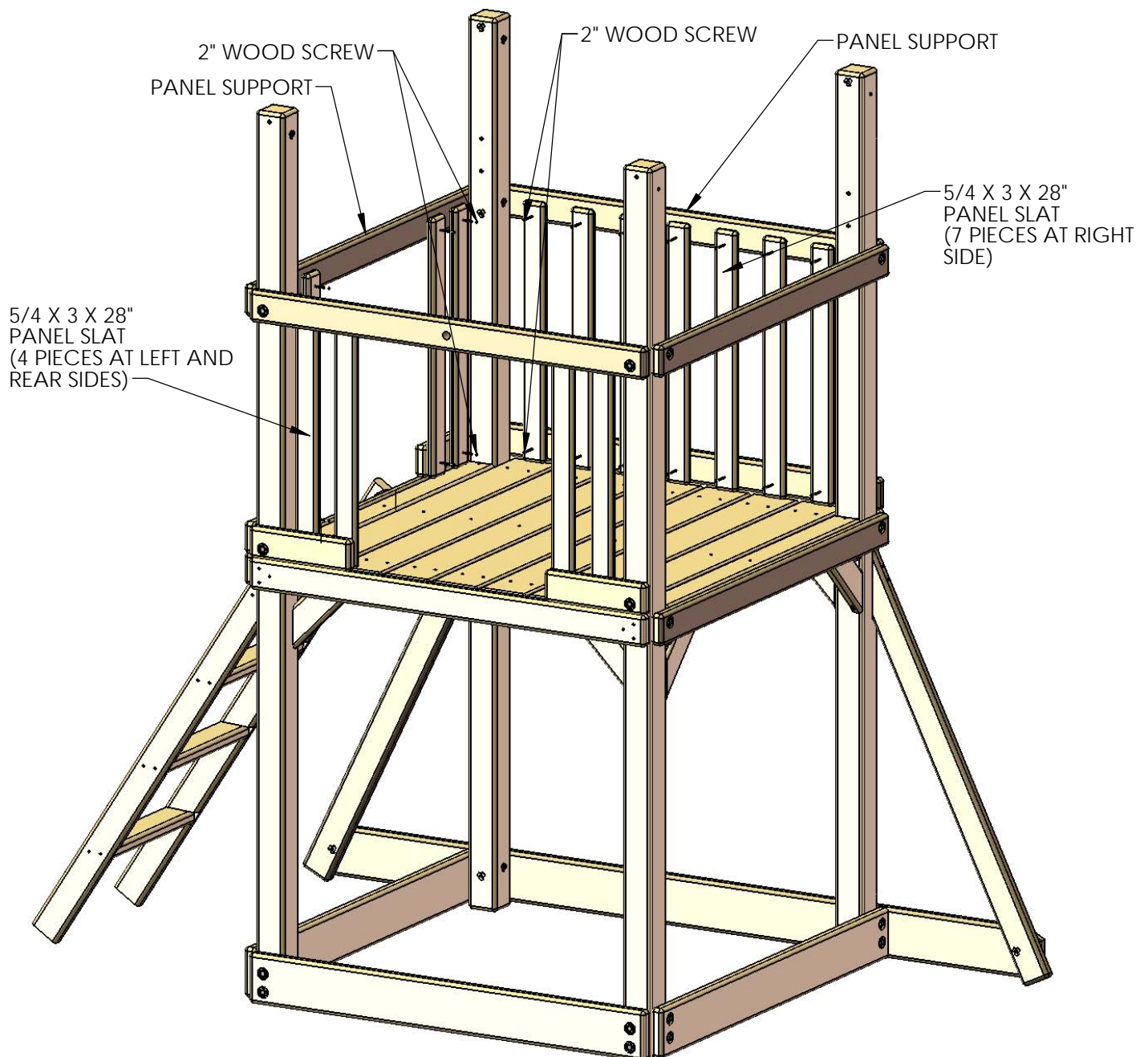


STEP 18: PANEL SLATS

1: Locate fifteen 5/4 x 3 x 28" Panel Slats. Four Panel Slats will be installed at both the left and rear of the play set. Seven Panel Slats will be installed at the right of the play set.

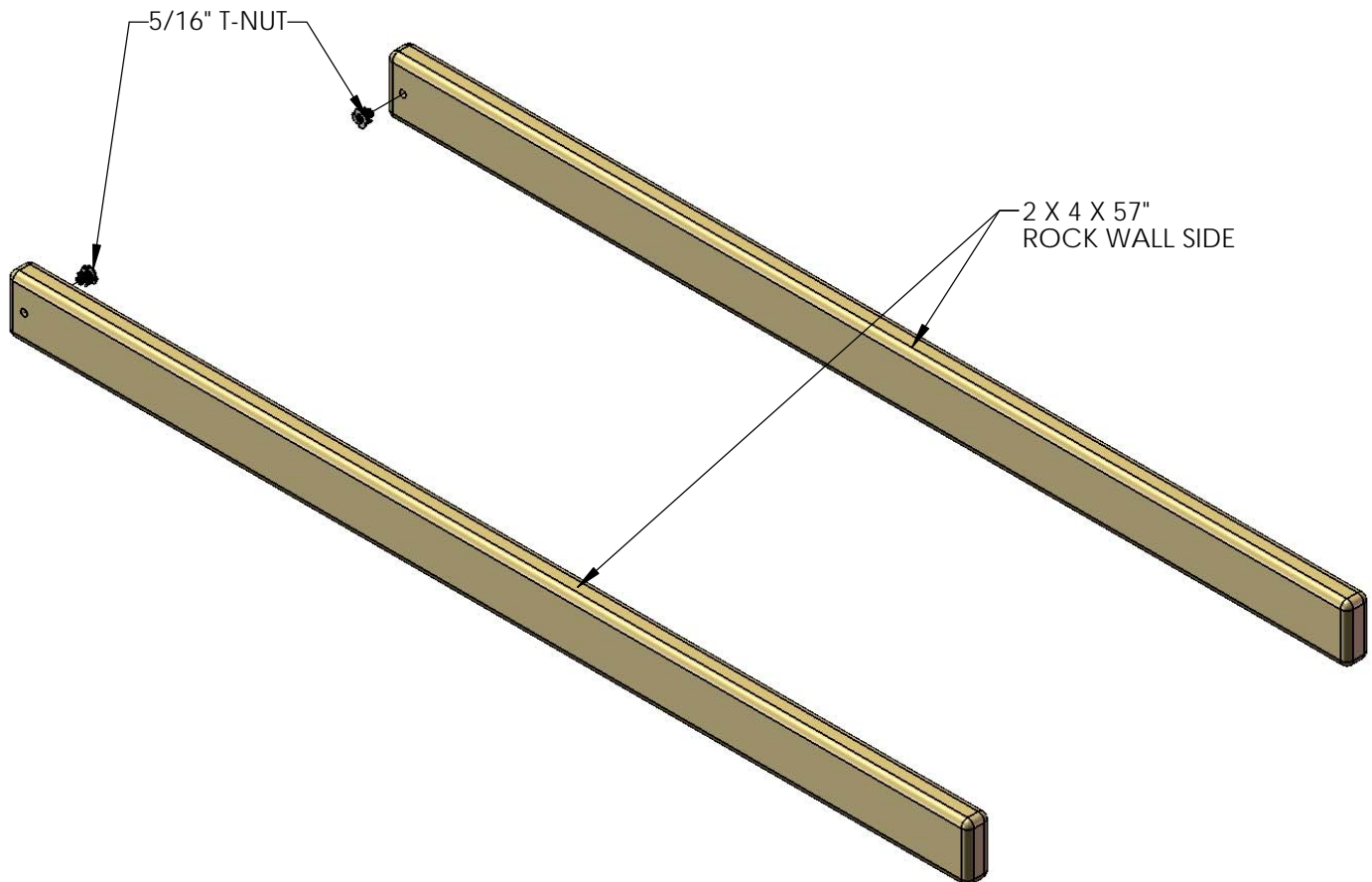
2: At the right of the play set center one Panel Slat over the center of each deck board. Square each Panel Slat to the Panel Support. Attach each Panel Slat to the inside of the Panel Supports with two 2" wood screws for each Panel Slat.

3: At the left and rear of the play set place one Panel Slat flush with the end of the 2 x 4 x 12" Bottom Panel Board. Square the top of the Panel Slat with the Panel Support or Panel Board. Attach the Panel Slat to the Panel Board/Panel Support with two 2" wood screws. Center another Panel Slat between the one you just installed and the corner post. Attach the Panel Slat with two 2" wood screws.



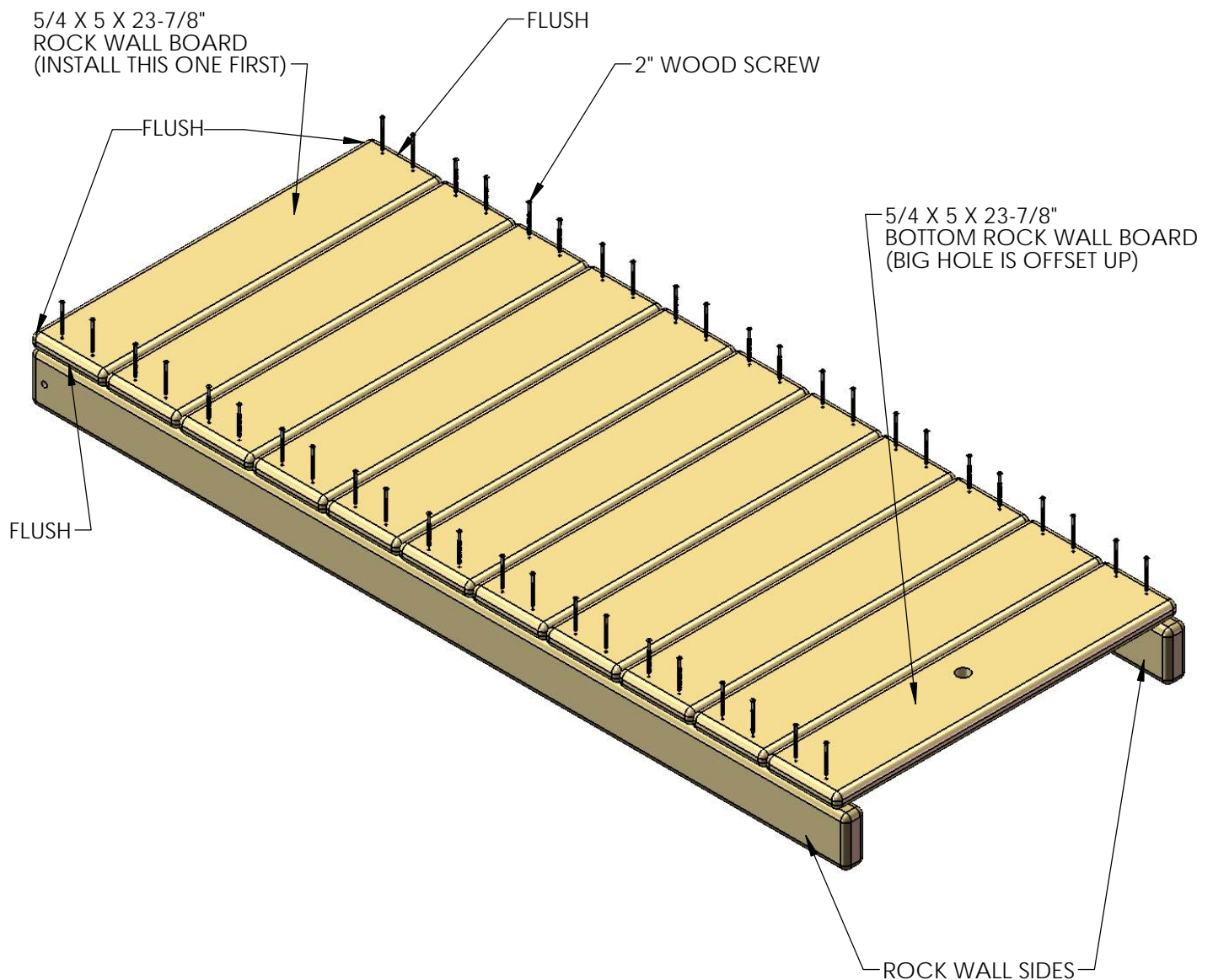
STEP 19: ROCK WALL

1: Locate two 2 x 4 x 57 Rock Wall Side boards. Lay the boards out as shown and insert a 5/16" t-nut into the hole on the inside of each board. Use a hammer to set each t-nut flush with the board.



STEP 20: ROCK WALL

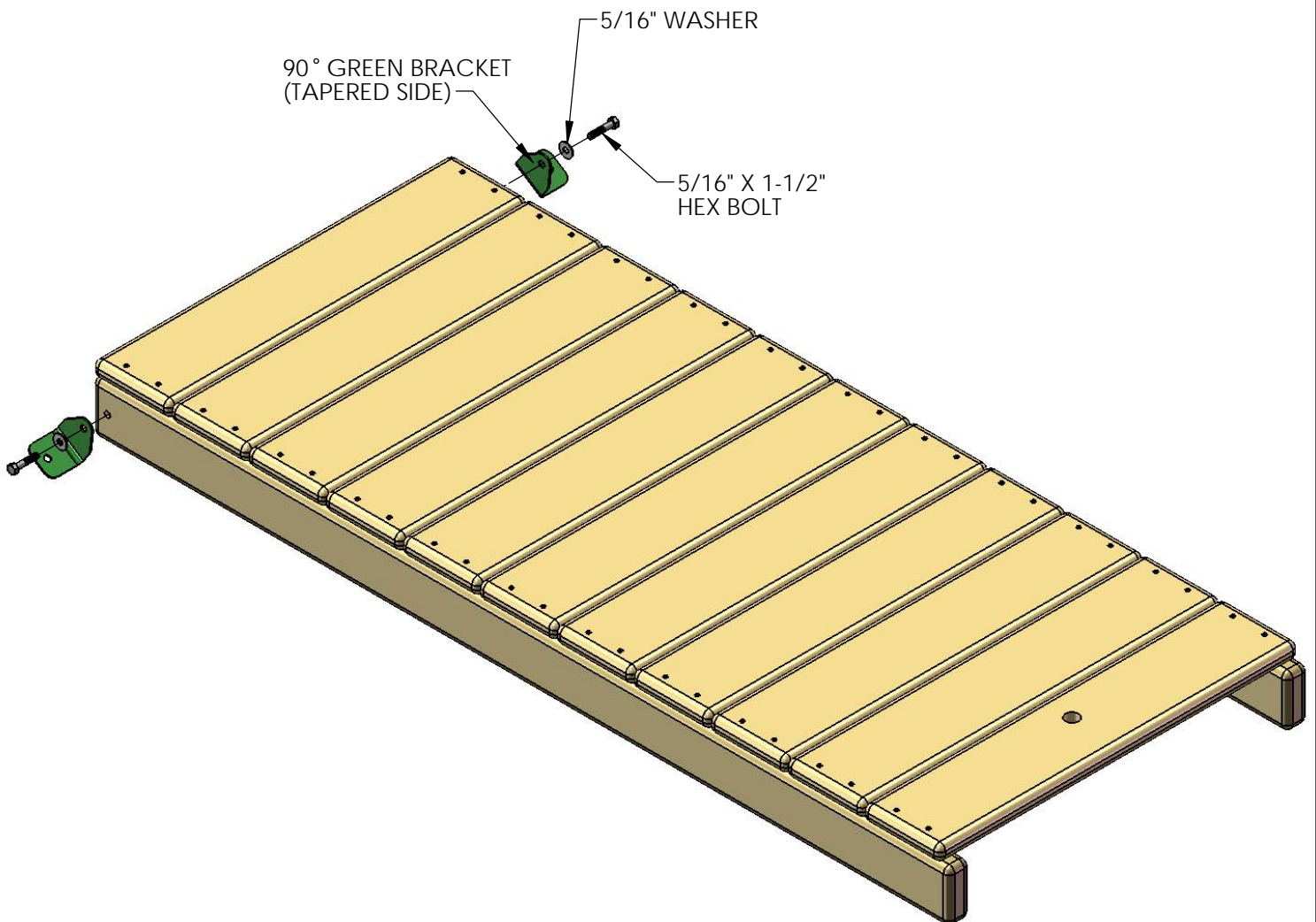
1. Locate ten 5/4 x 5 x 23-7/8" Rock Wall Boards and one 5/4 x 5 x 23-7/8" Bottom Rock Wall Board with one big hole in it.
2. Place one Rock Wall Board at the top of the Rock Wall Sides nearest the holes where you previously installed the tee nuts. Make sure the Rock Wall Board is flush with the ends and sides of the Rock Wall Side boards.
3. Attach the Rock Wall Board with four 2" wood screws.
4. Now place another Rock Wall Board beneath the one previously installed and attach with four 2" wood screws. Continue installing Rock Wall Boards to the Rock Wall Sides until they are used up.
5. Attach the Bottom Rock Wall Board with one large hole in it last with four 2" wood screws. The large hole should be offset up.



STEP 21: ROCK WALL

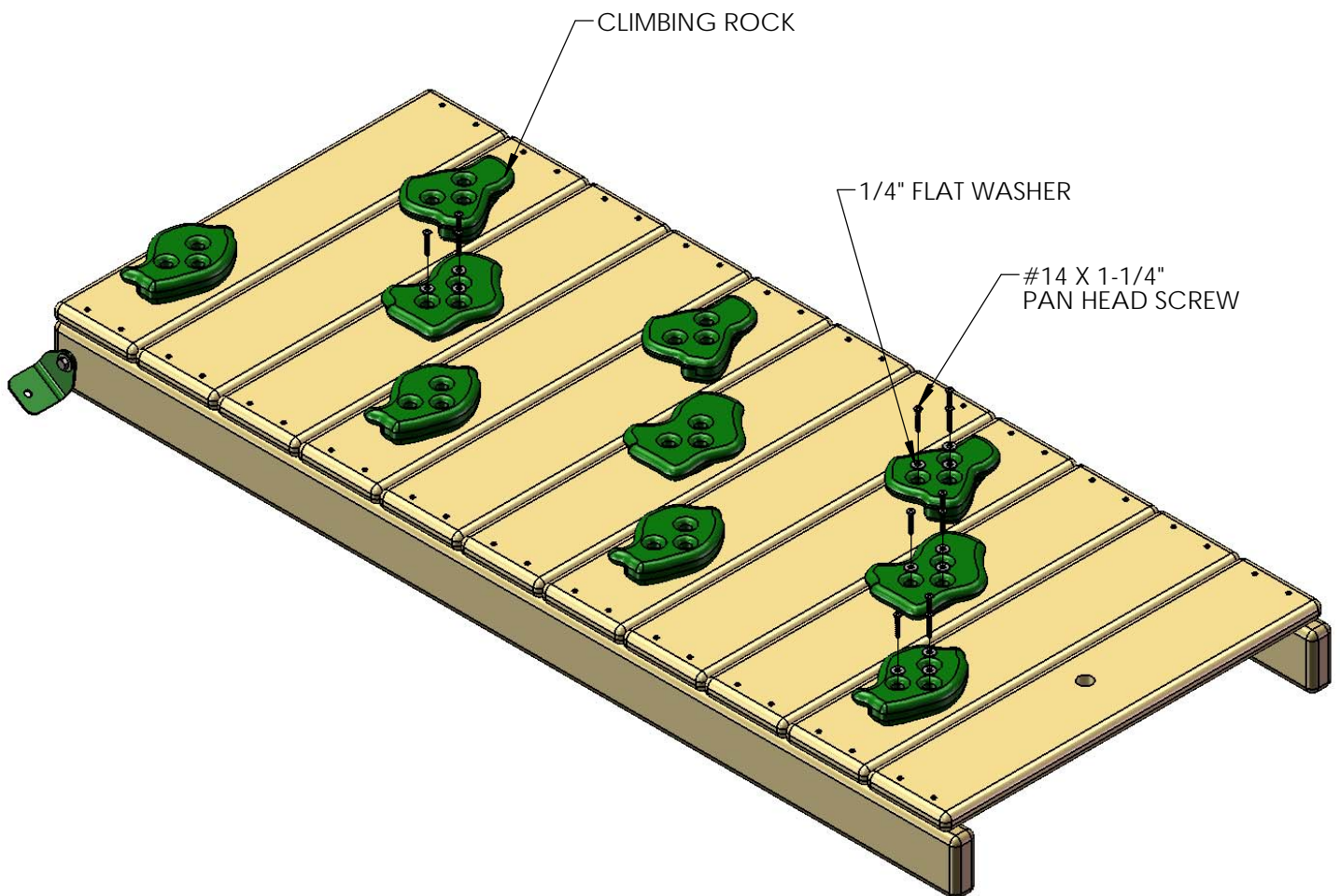
1: Locate two 90° Green Brackets, two 5/16" washers and two 5/16" x 1-1/2" hex bolts.

2: Fasten the tapered side of each 90° Green Bracket to each Rock Wall Side with a 5/16" x 1-1/2" hex bolt and 5/16" washer.



STEP 22: ROCK WALL

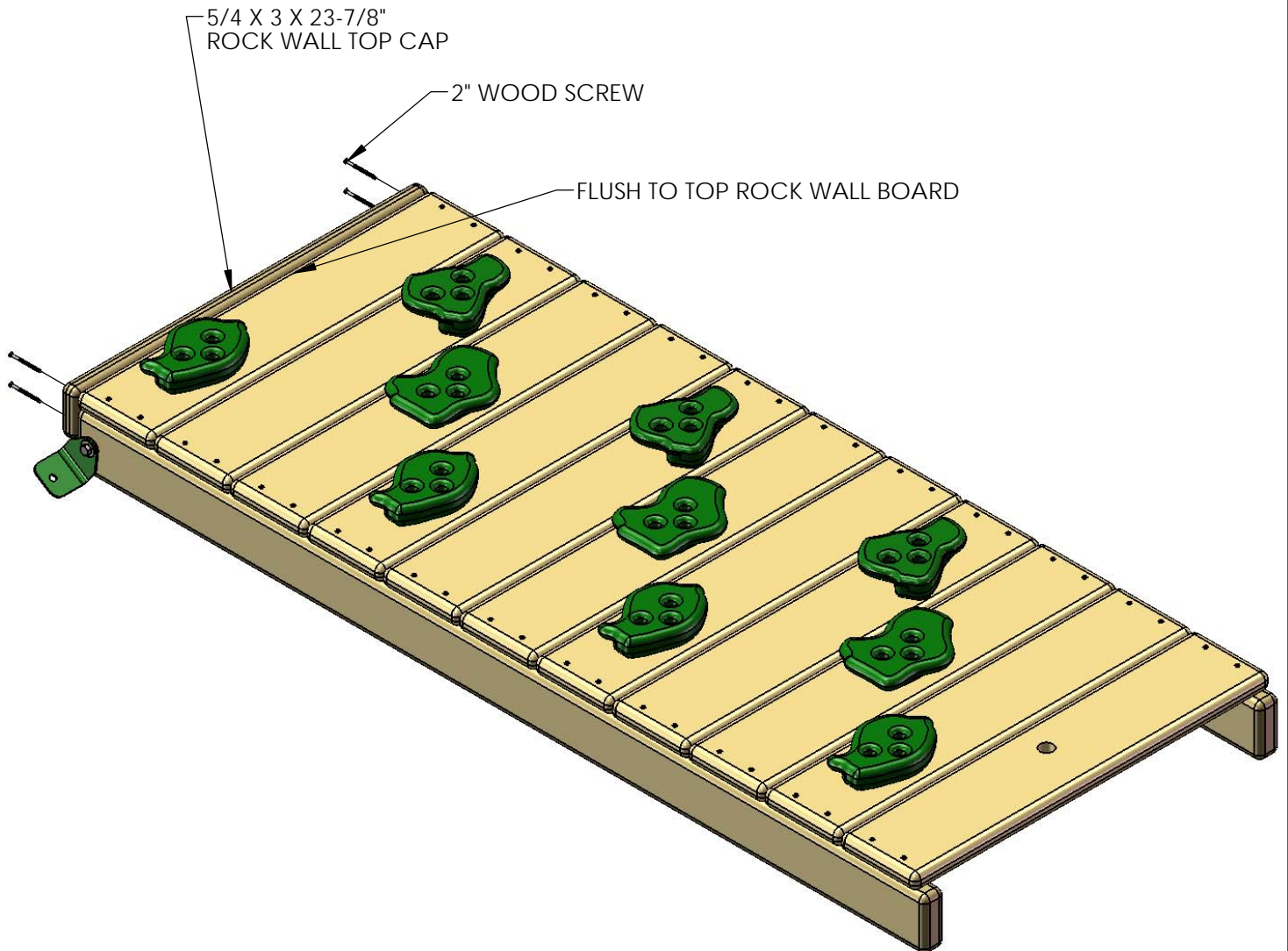
- 1: Locate two bags of Climbing Rocks. Inside each bag should be five rocks, fifteen #14 x 1-1/4" pan head screws and fifteen 1/4" flat washers.
- 2: Place the Climbing Rocks in a staggered pattern on the Rock Wall Boards. Place one rock on each board except for the bottom rock wall board with the hole in it.
- 3: Attach each Climbing Rock with three #14 x 1-1/4" pan head screws and three 1/4" flat washers.



STEP 23: ROCK WALL

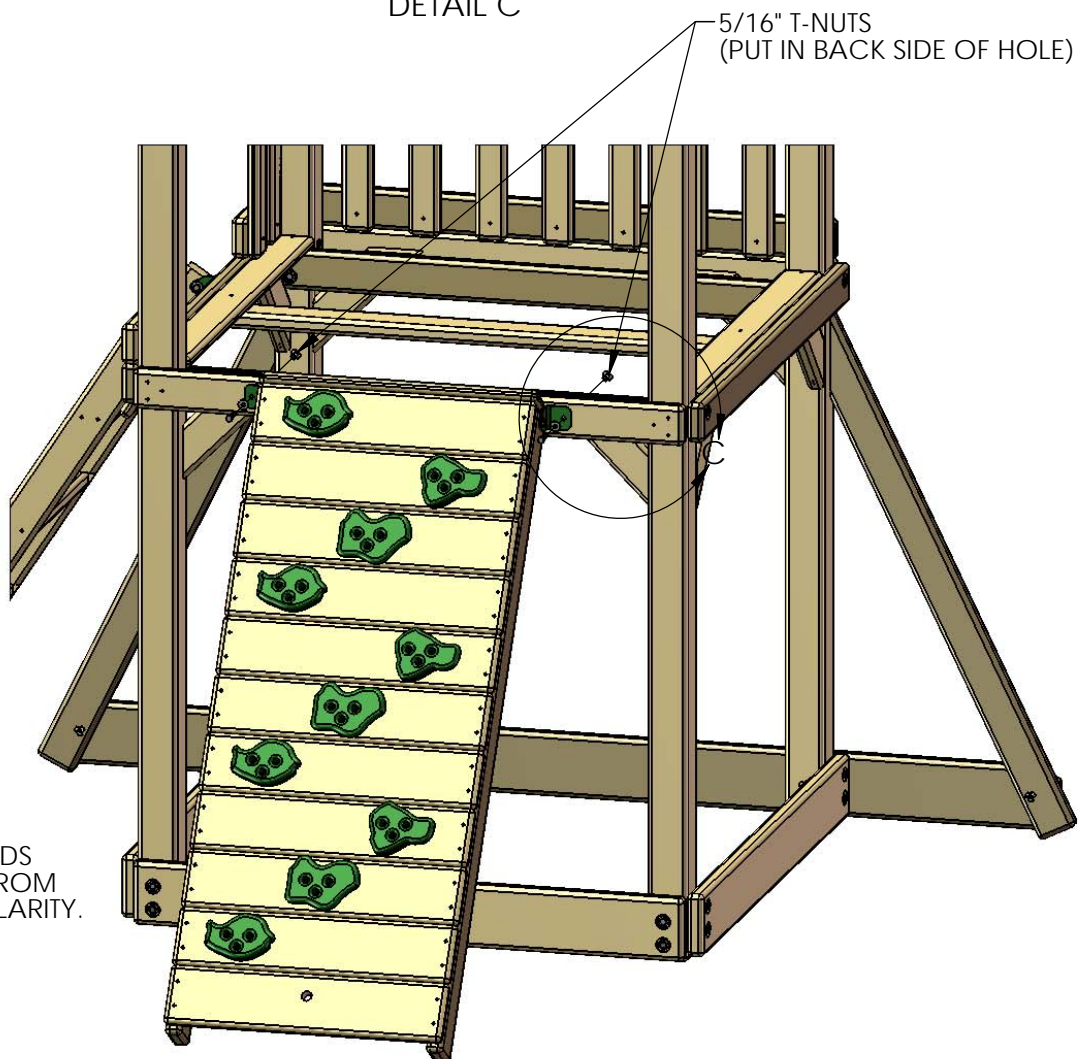
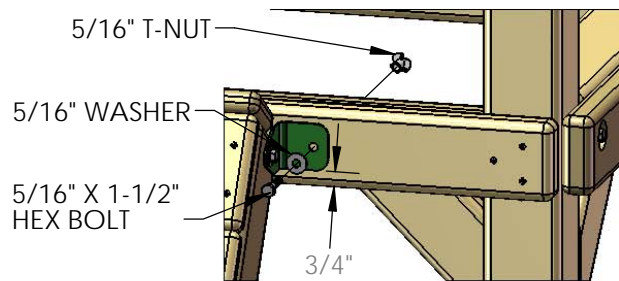
1: Place the 5/4 x 3 x 23-7/8" Rock Wall Top Cap on top of the Rock Wall Sides flush with the top Rock Wall Board.

2: Fasten the 5/4 x 3 x 23-7/8" Rock Wall Top Cap to the Rock Wall Sides and the top Rock Wall Board with four 2" wood screws.



STEP 24: ATTACHING ROCK WALL

- 1: The Rock Wall attaches to the left side of the play set, 11-3/4" from the outside edge of the front corner post.
- 2: Make sure the Rock Wall is level. The bottom edge of the 90° brackets should be 3/4" up from the bottom edge of the 2 x 4. Mark the position of the bracket holes on the 2 x 4. Drill 3/8" holes where marked.
- 3: Insert 5/16" t-nuts in the back of the holes.
- 4: Attach the 90° brackets to the 2 x 4 with two 5/16" x 1-1/2" hex bolts and two 5/16" washers.

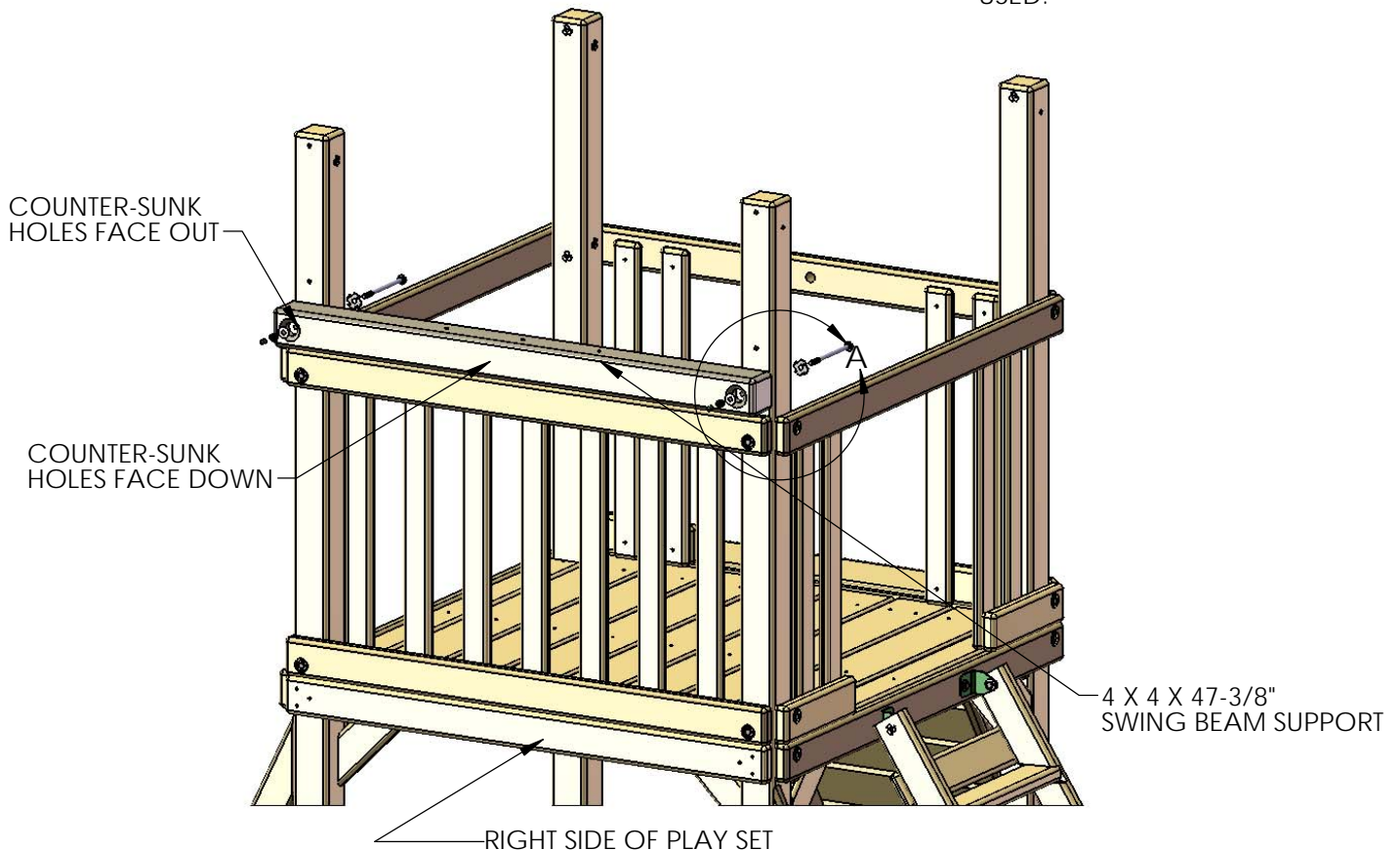
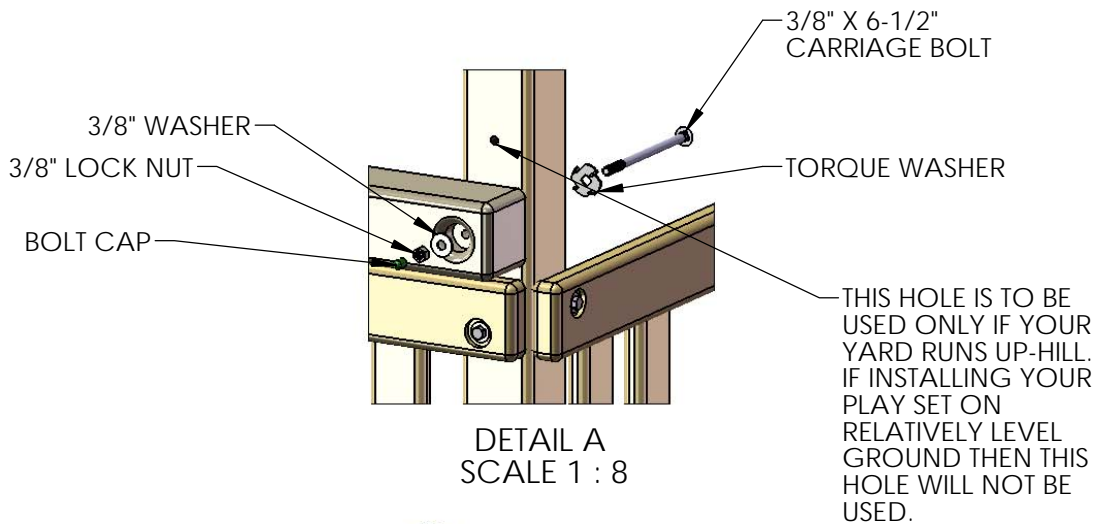


STEP 25: SWING BEAM SUPPORT

1. The 4 x 4 x 47-3/8" Swing Beam Support has counter-sunk holes in the center and on the ends. Install the Swing Beam Support so that the counter-sunk holes on each end of the beam face out, and the counter-sunk holes in the center face down.

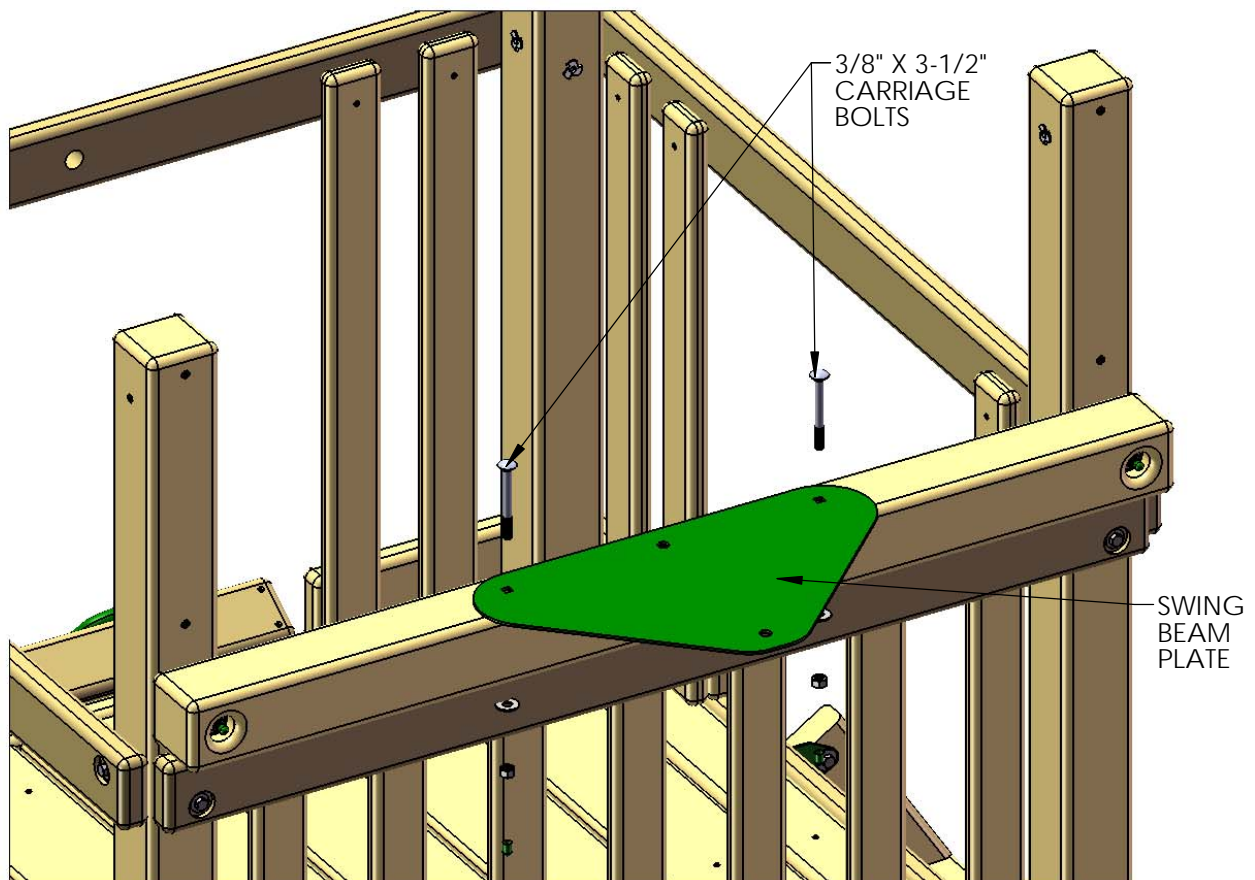
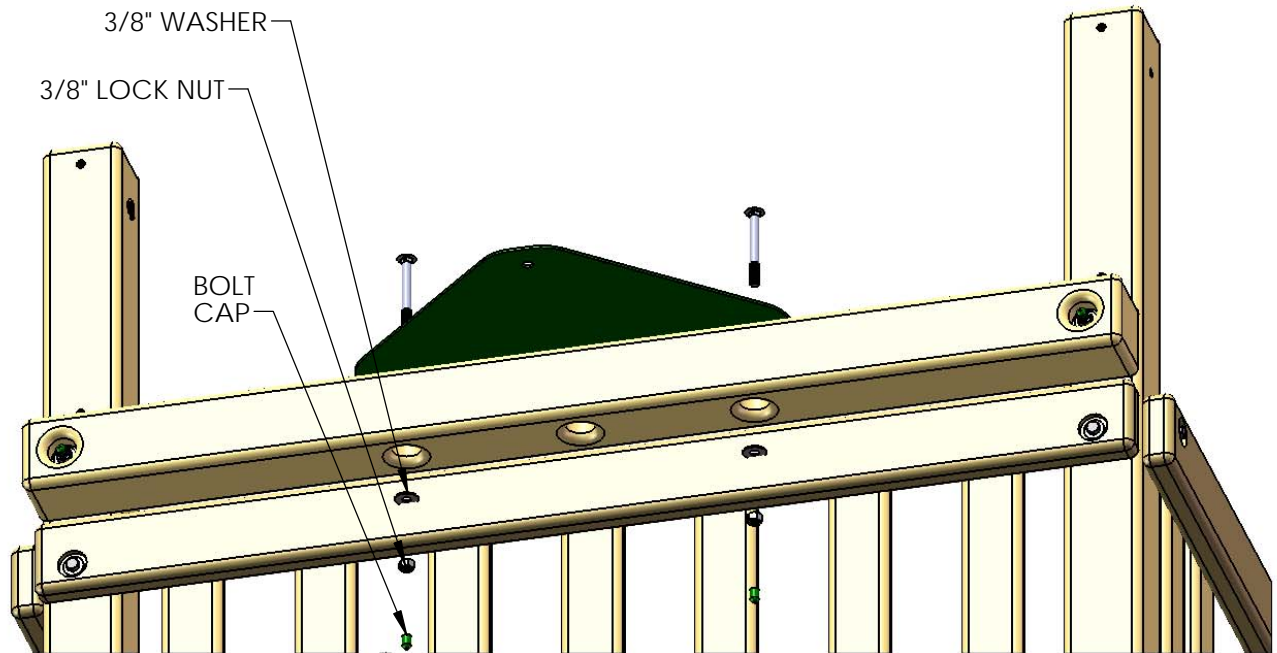
2. Fasten the Swing Beam Support to the right corner posts using 3/8" x 6-1/2" carriage bolts and torque washers. Place the carriage bolt into the torque washer, then into the hole of the corner post and set with a hammer. Use 3/8" lock nuts and 3/8" washers to secure the Swing Beam Support from the outside. Place bolt caps over the exposed threads after securing.

Note: There are two mounting positions for the Swing Beam Support. Use the lower holes in the right corner posts if your yard is relatively flat. Stand with your back against the right of the play set. If your yard runs uphill then you should use the upper holes in the right corner posts.



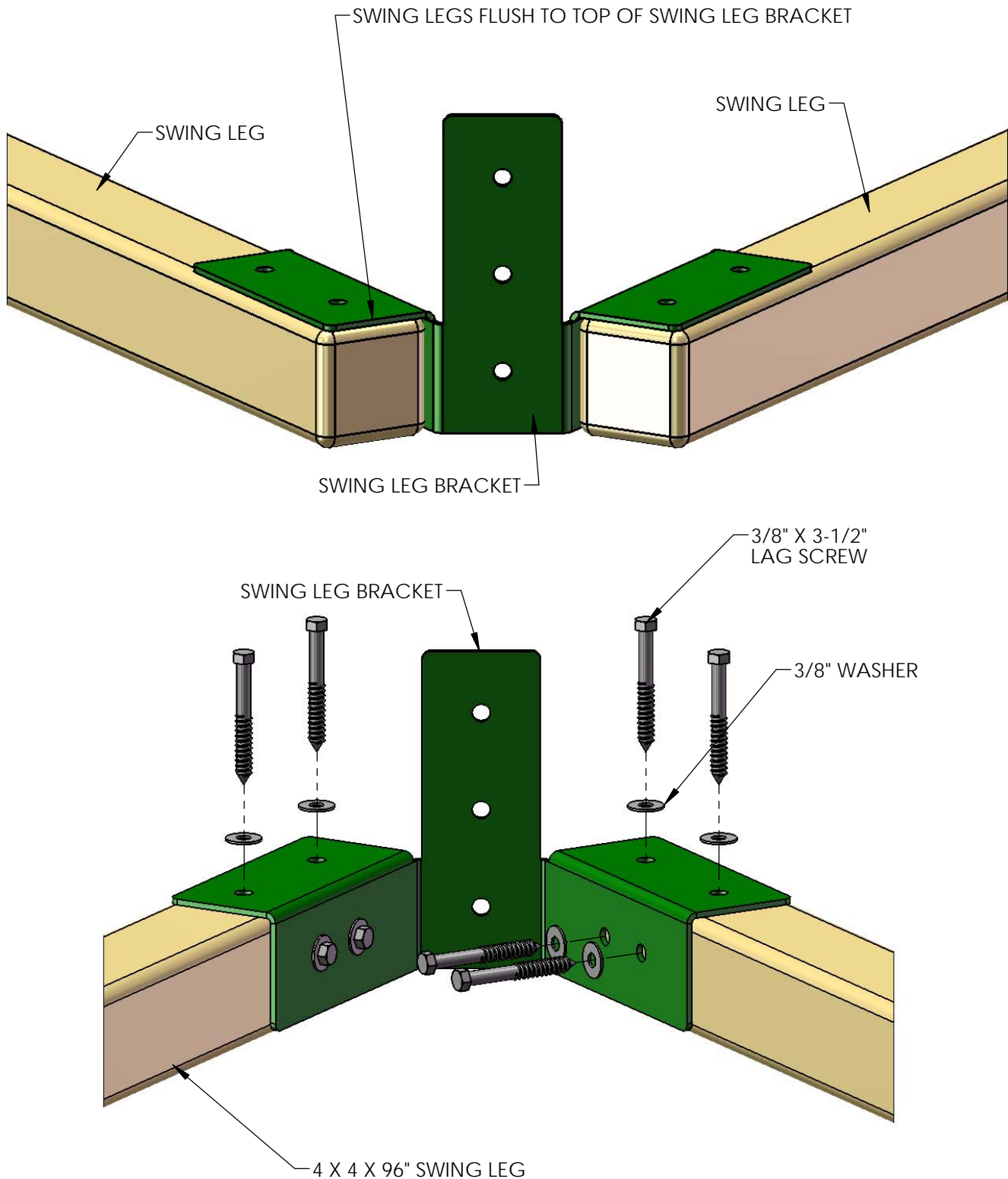
STEP 26: SWING BEAM PLATE

- 1: Place the Swing Beam Plate on top of the Swing Beam Support, lining up the pilot holes.
- 2: Fasten the Swing Beam Plate to the Swing Beam Support on the outside holes using 3/8" x 3-1/2" carriage bolts from the top and 3/8" washers with 3/8" lock nuts on the bottom. Place bolt caps over exposed threads after securing.
- 3: Leave the middle hole empty, it will be used later.



STEP 27: ATTACH SWING LEGS TO BRACKET

- 1: Place the 4 x 4 x 96" Swing Legs flush to the top of the Swing Leg Bracket.
- 2: Pre-drill 11/64" pilot holes into the Swing Legs through the holes in the Swing Leg Bracket.
- 3: Fasten the Swing Legs to the Swing Leg Bracket with eight 3/8" x 3-1/2" lag screws and eight 3/8" washers.

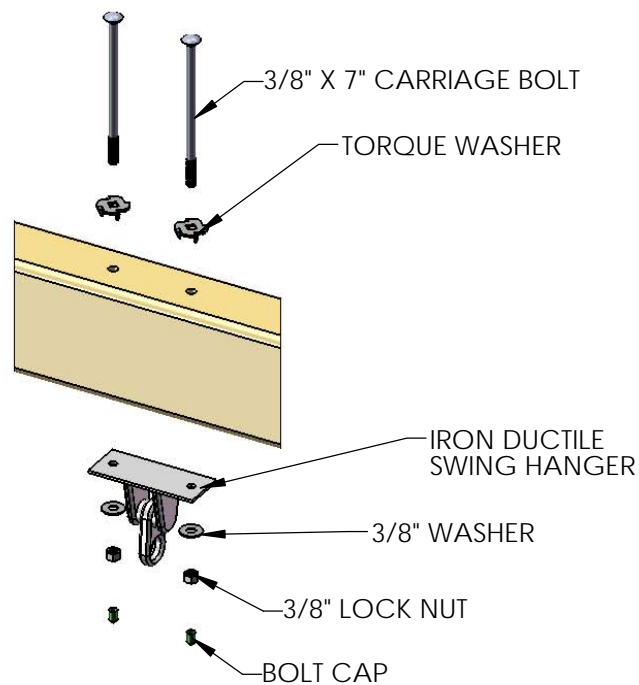
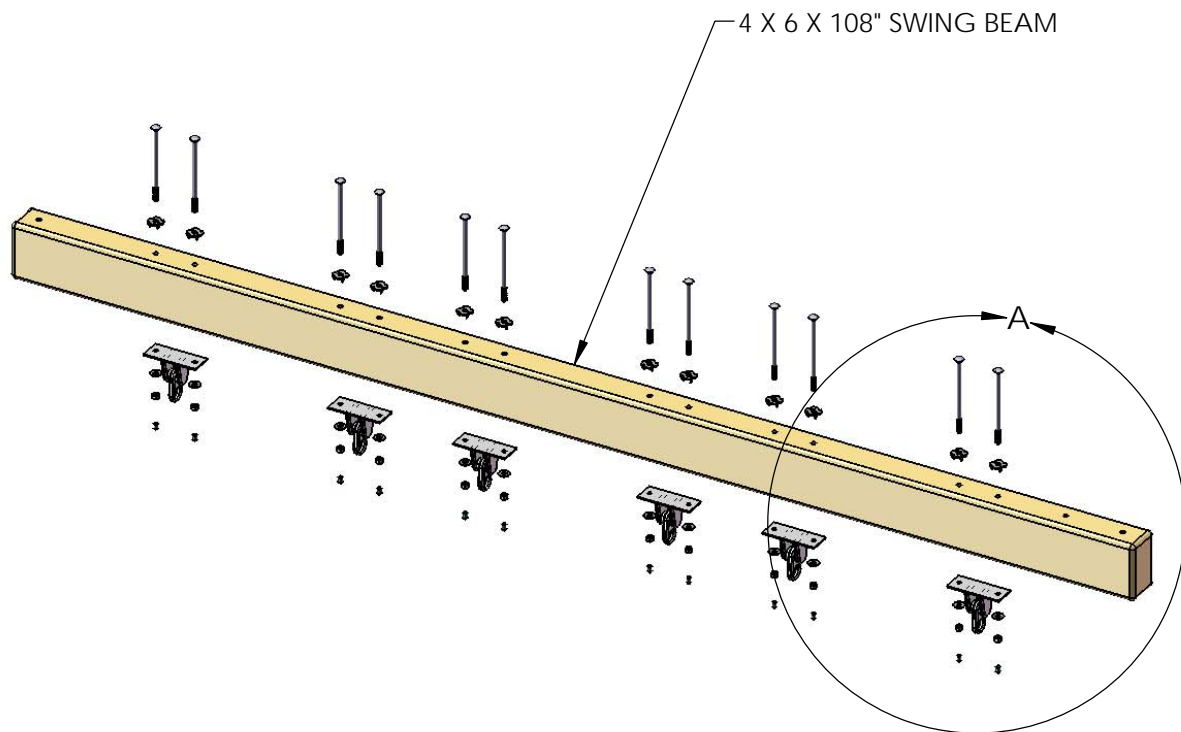


STEP 28: IRON DUCTILE SWING HANGERS

1: Line up the holes of the Iron Ductile Swing Hangers with the holes in the Swing Beam.

2: Fasten the Iron Ductile Swing Hangers to the Swing Beam using 3/8" x 7" carriage bolts with torque washers on top of the Swing Beam, and 3/8" lock nuts with 3/8" washers on the bottom.

Place bolt caps over exposed threads after securing.

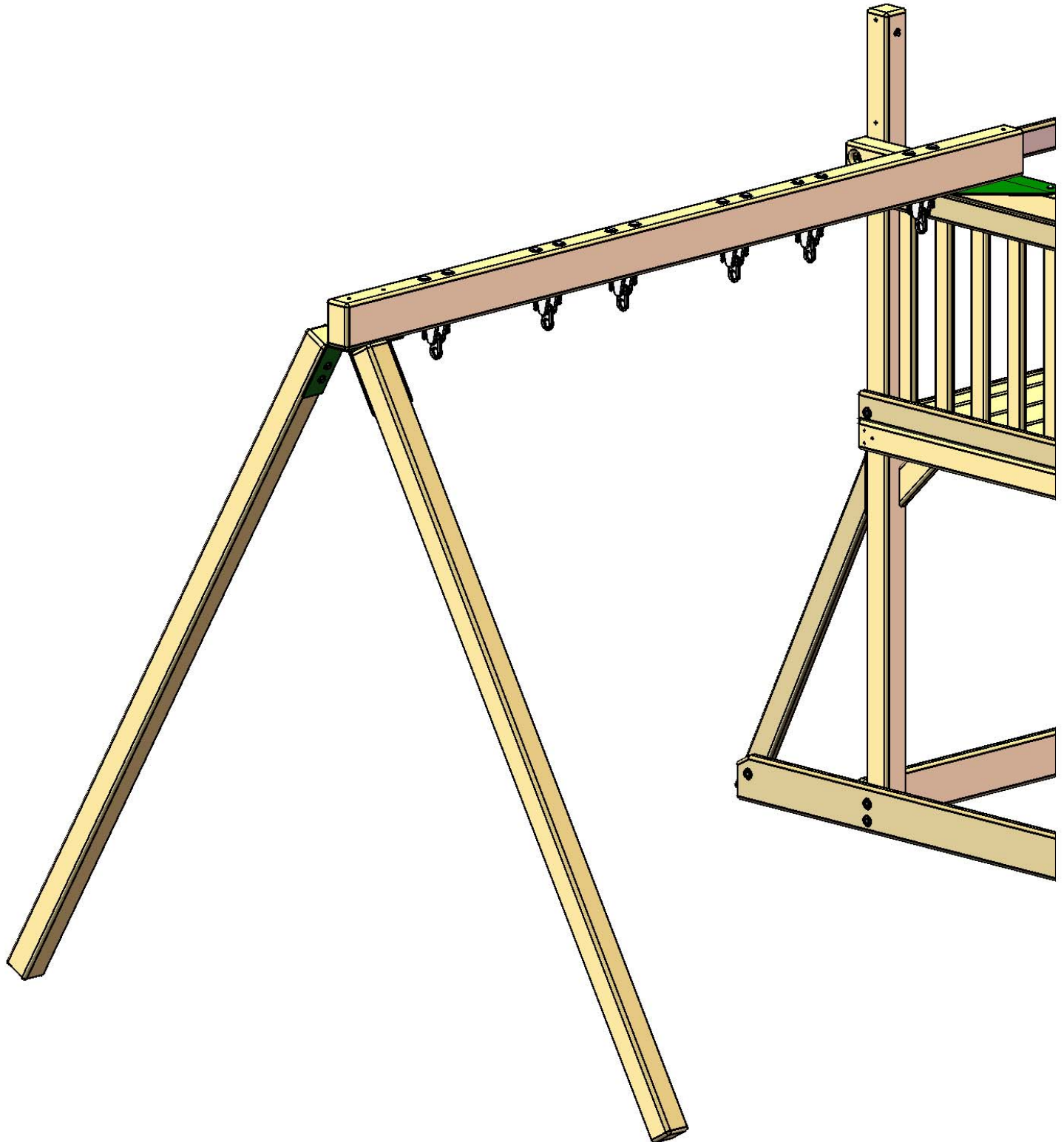


DETAIL A

STEP 29: REST SWING BEAM ON FORT

*Two people are required for this step.

1. Sit the swing beam legs upright.
2. Line up the pre-drilled holes and rest the swing beam on top of the fort and swing legs. Make sure the iron ductiles are facing down.

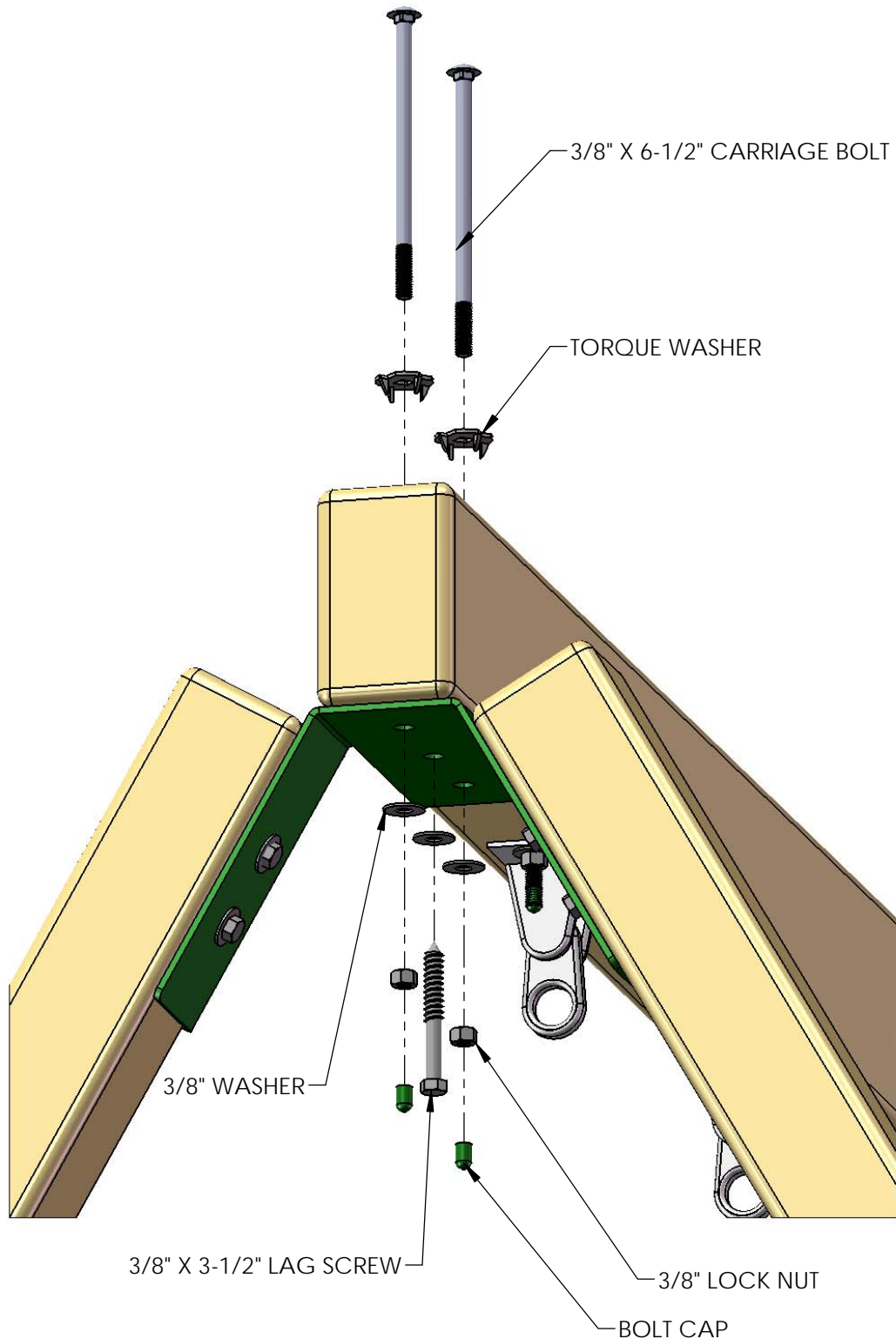


STEP 30: SWING BEAM TO SWING LEGS

1: Fasten the Swing Beam to the Swing Leg Bracket using 3/8" x 6-1/2" carriage bolts with torque washers on top of the Swing Beam, and 3/8" lock nuts with 3/8" washers underneath.

2: Predrill an 11/64" hole through the middle hole in the swing leg bracket. Use a 3/8 x 3-1/2" lag screw and 3/8" washer in the middle hole of the Swing Leg Bracket.

3: Place bolt caps over exposed threads after securing.



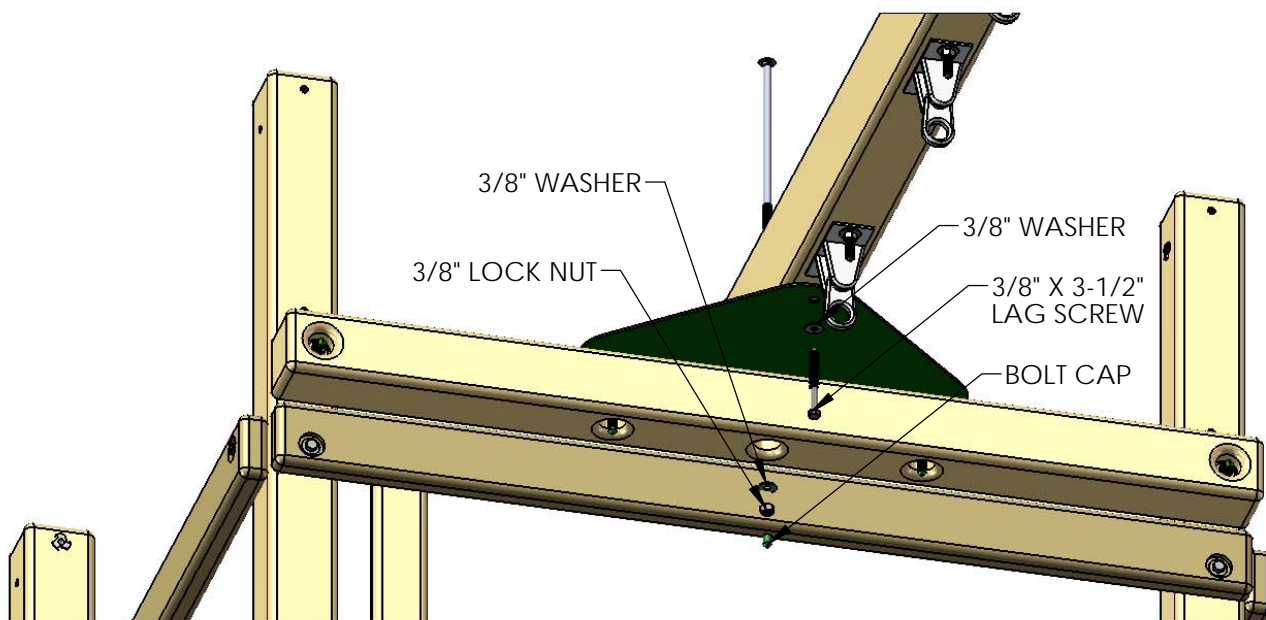
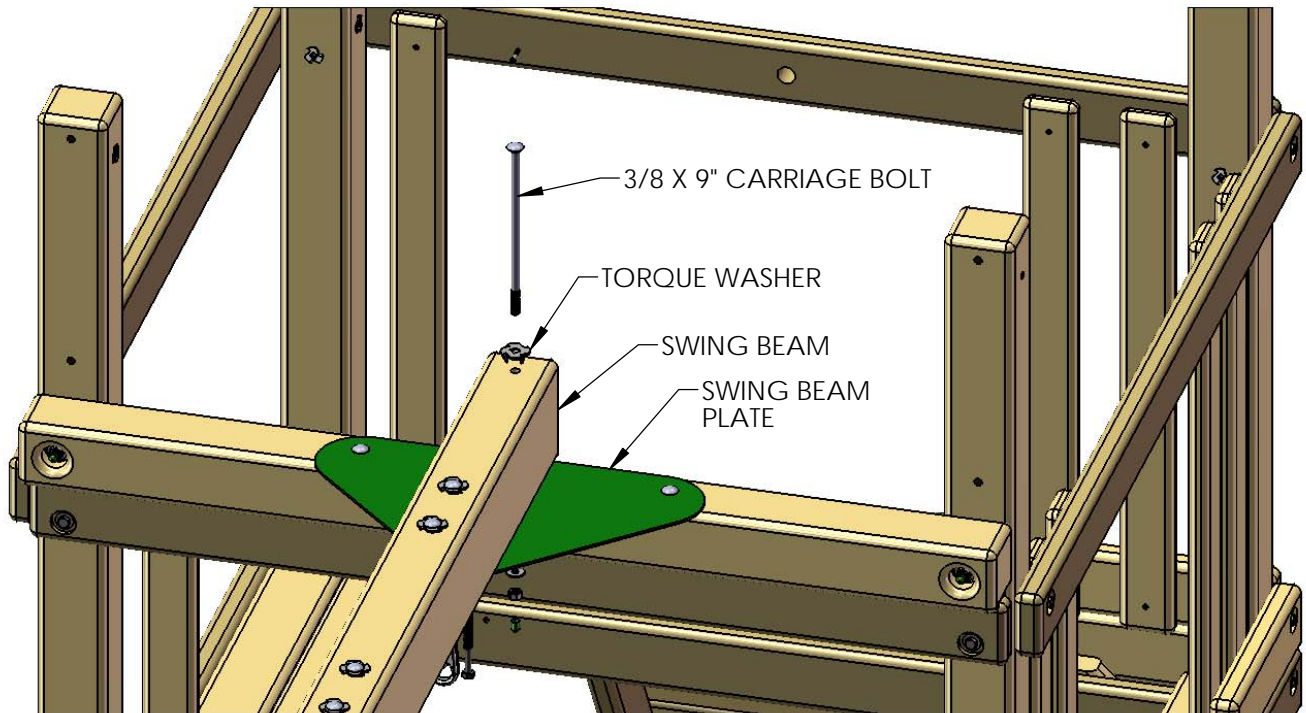
STEP 31: SWING BEAM TO FORT

*An extra person is required for this step.

1: Have one person line up the hole in the end of the Swing Beam with the middle hole on the Swing Beam plate. The other person may have to carry the other end where the legs are located to accomplish this task.

2: Fasten the Swing Beam to the Swing Beam Plate and Swing Beam Support using a 9" carriage bolt with a torque washer on top and a 3/8" lock nut and washer on the bottom. Place green bolt caps over exposed threads after securing.

3: Fasten the Swing Beam to the Swing Beam Plate from underneath with a 3/8" x 3-1/2" lag screw and a 3/8" washer.



STEP 32: LEVEL THE SWING BEAM

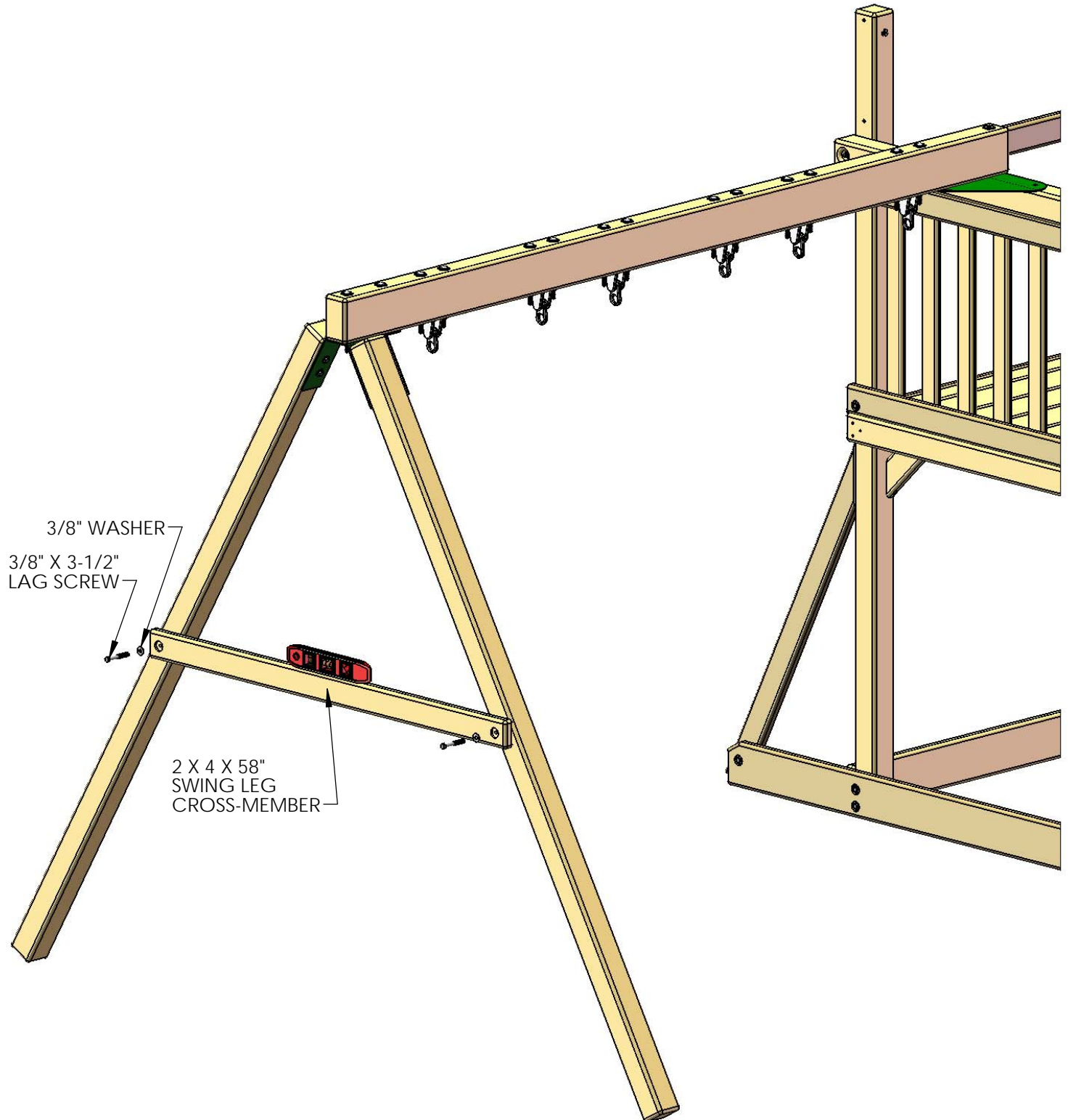
1: Place a level on top of the Swing Beam and adjust the legs in or out as needed to make the Swing Beam level.



STEP 33: SWING LEG CROSS-MEMBER

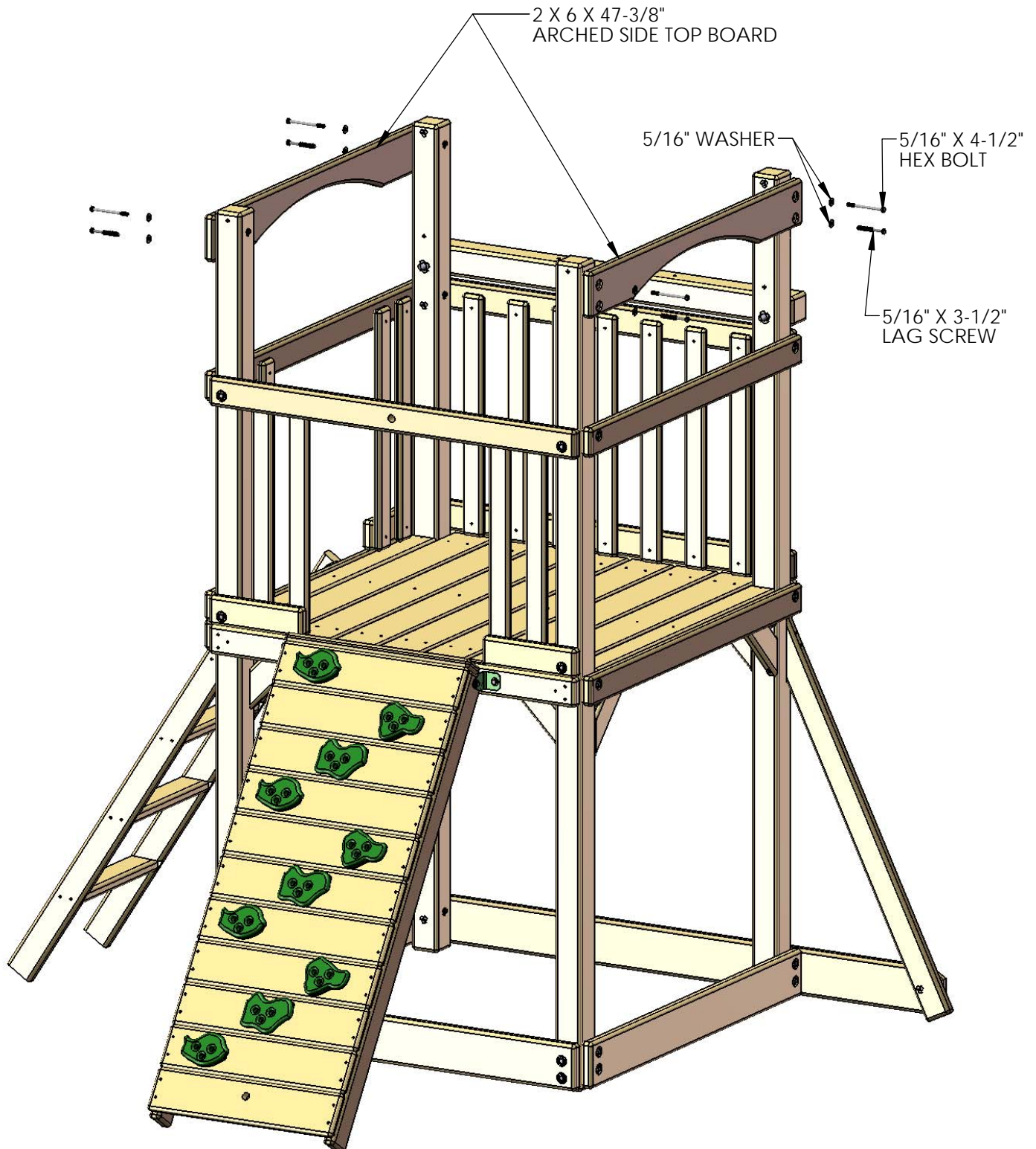
1: Position the 2 x 4 x 58" Swing Leg Cross-Member against the Swing Legs.

2: Level the Swing Leg Cross-Member, and secure to the Swing Legs with 3/8" x 3-1/2" lag screws and 3/8" washers.



STEP 34: ARCHED SIDE TOP BOARDS

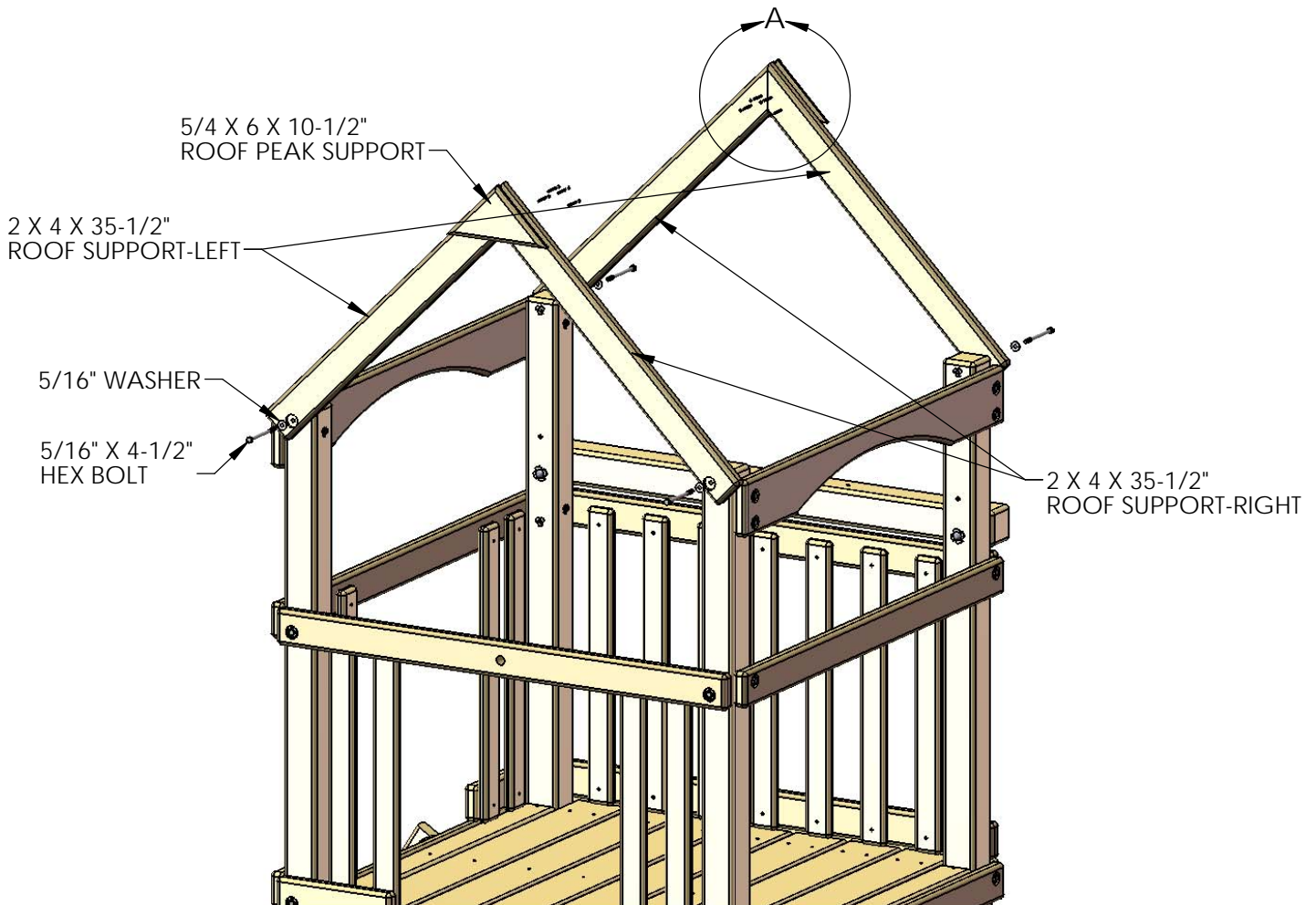
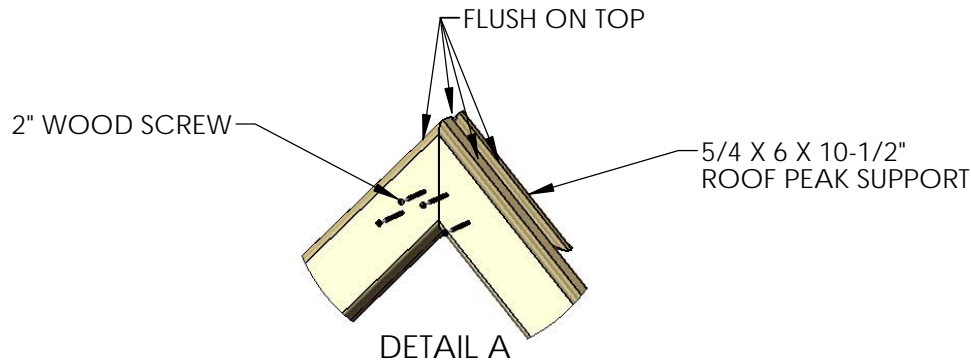
- 1: Place one Arched Side Top Board on the front/rear side of the play set at the top.
- 2: Attach each Arched Side Top Board through the top hole into the t-nut in the corner post with 5/16" x 4-1/2" hex bolts and 5/16" washers.
- 3: Attach each Arched Side Top Board through the bottom hole into the corner posts with 5/16" x 3-1/2" lag screws and 5/16" washers.



STEP 35: ROOF SUPPORTS

1: Attach one 2 x 4 x 35-1/2" Roof Support-Left and one 2 x 4 x 35-1/2" Roof Support-Right to the left and right of the play set with 5/16" x 4-1/2" hex bolts and 5/16" washers. Note the counter-sunk holes face out. The roof supports will meet to form a 90° angle at the peak.

2: Place a 5/4 x 6 x 10-1/2" Roof Peak Support at the peak of the roof supports on the outside. Attach the roof supports to the Roof Peak Support with four 2" wood screws from the inside. The Roof Peak Support should be flush to the roof supports on the top surfaces.

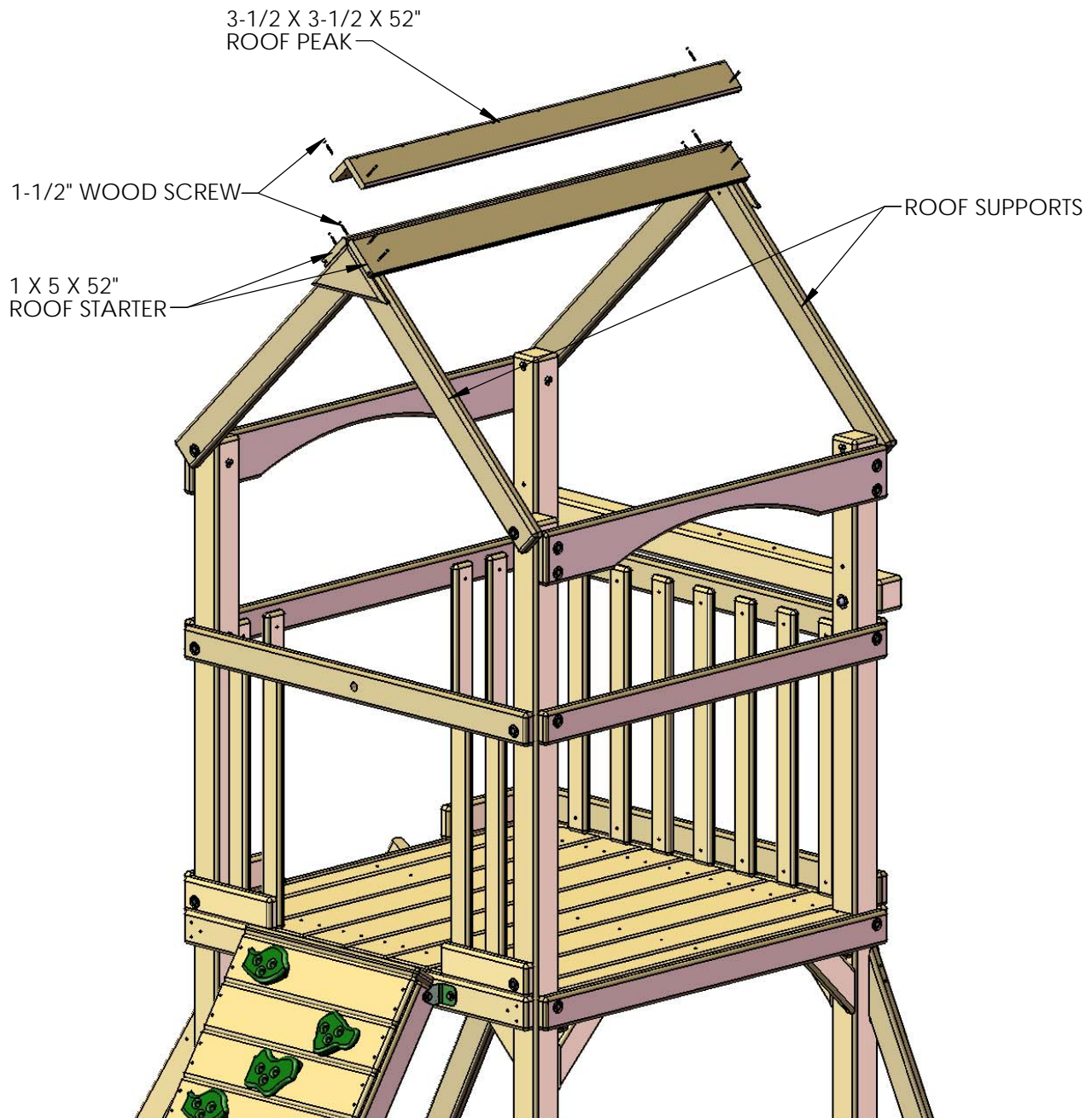


STEP 36: ROOF STARTERS/ROOF PEAK

1: Place the 1 x 5 x 52" (groove only) Roof Starter Boards at the peak of the roof. The holes in the Roof Starters should be centered on the Roof Supports. The flat side of the Roof Starters should be placed as close together as possible near the peak without the boards overlapping.

2: Fasten the Roof Starter Boards to the Roof Supports with 1-1/2" wood screws.

3: Place the 3-1/2 x 3-1/2 x 52" Roof Peak on top of the Roof Starter Boards and fasten with four 1-1/2" wood screws.

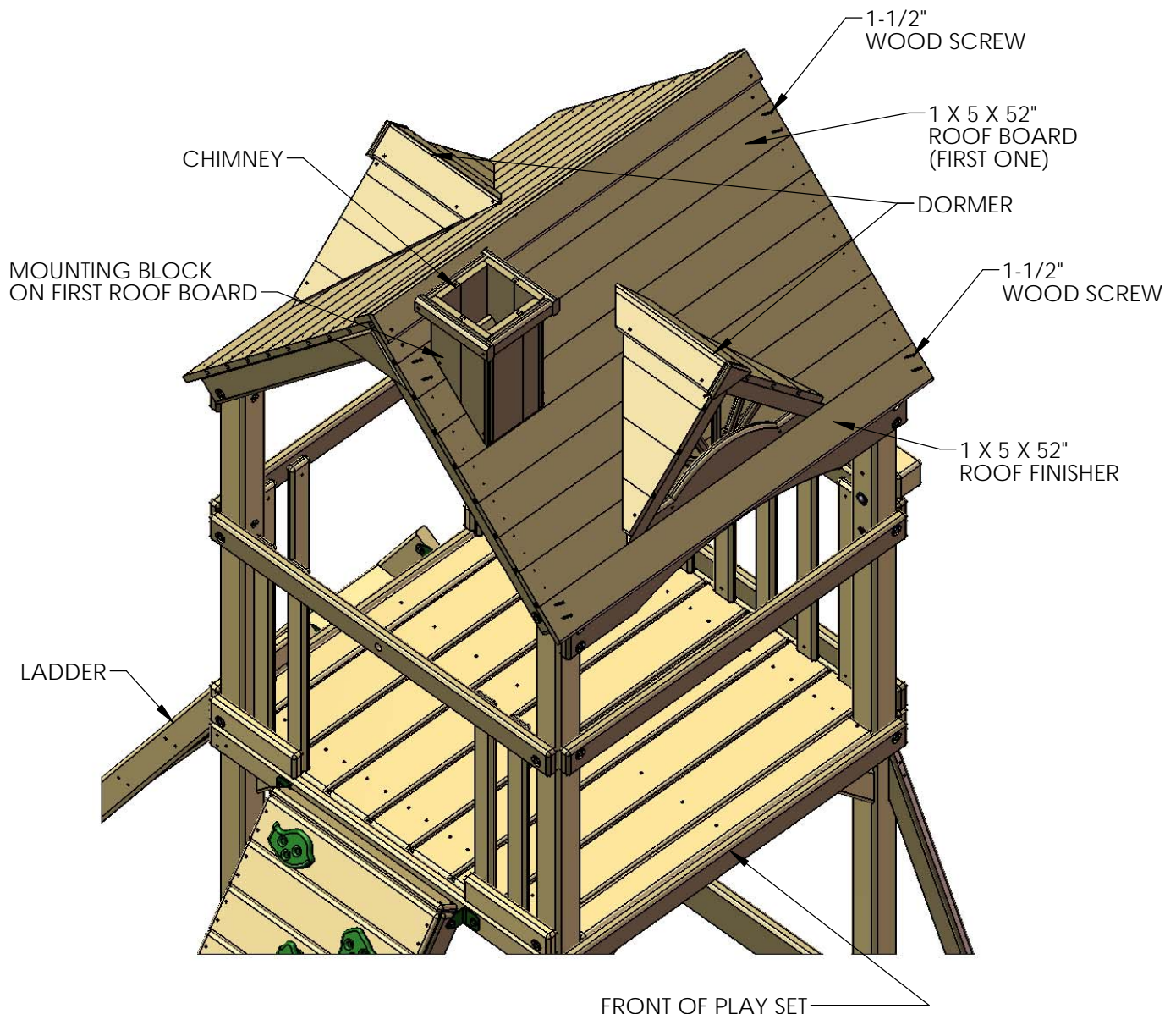


STEP 37: ROOF BOARDS/ROOF FINISHERS AND CHIMNEY AND DORMERS

1: Place the 1 x 5 x 52" Roof Boards on top of the Roof Supports, fitting the tongue into the groove of the Roof Starter. The holes in the Roof Boards should be centered over the Roof Supports. There are seven Roof Boards on each side of the roof. If necessary place a scrap 2 x 4 board against the Roof Board and hammer on it to seat the tongue into groove for the Roof Boards. Fasten each Roof Board to the Roof Supports with four 1-1/2" wood screws.

2: Place the 1 x 5 x 52" Roof Finisher at the end of the roof assembly and fasten to the Roof Supports with four 1-1/2" wood screws. Each side of the roof gets one Roof Finisher.

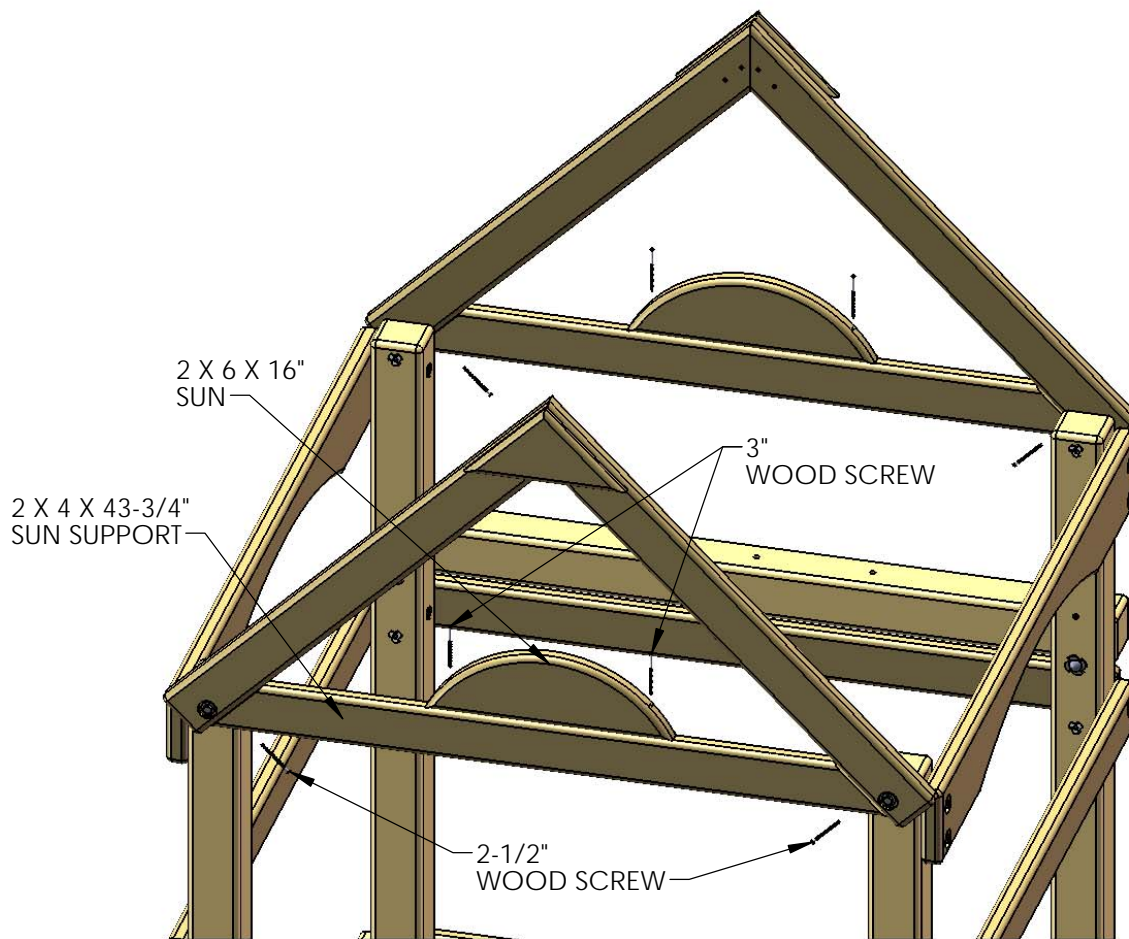
Tip: Use the instructions provided with the Chimney and Dormers to build them. After putting in three Roof Boards on the front roof STOP and then install the Chimney. Notice the mounting block for the Chimney will get installed on the first Roof Board. Once all the Roof Boards/Finishers are installed mount the Dormers as shown below centered on the roof.



STEP 38: SUN SUPPORT AND SUN

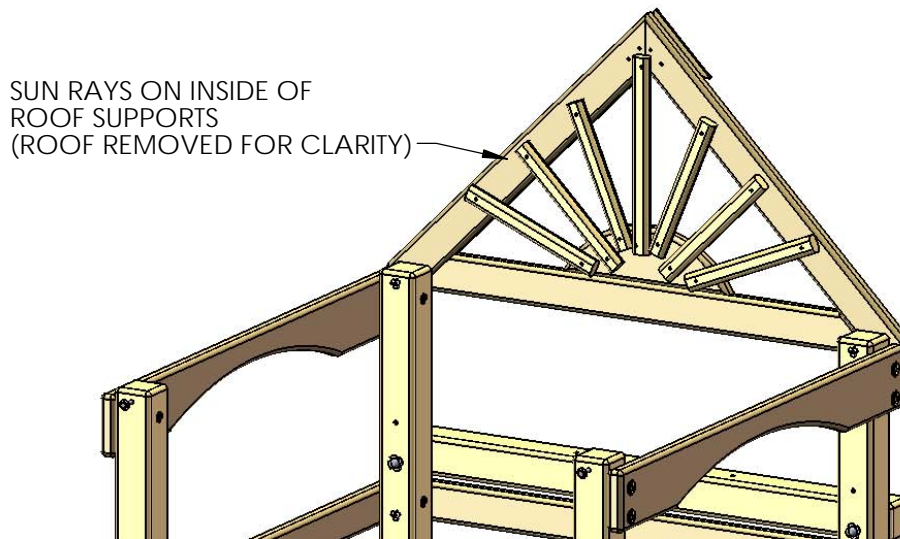
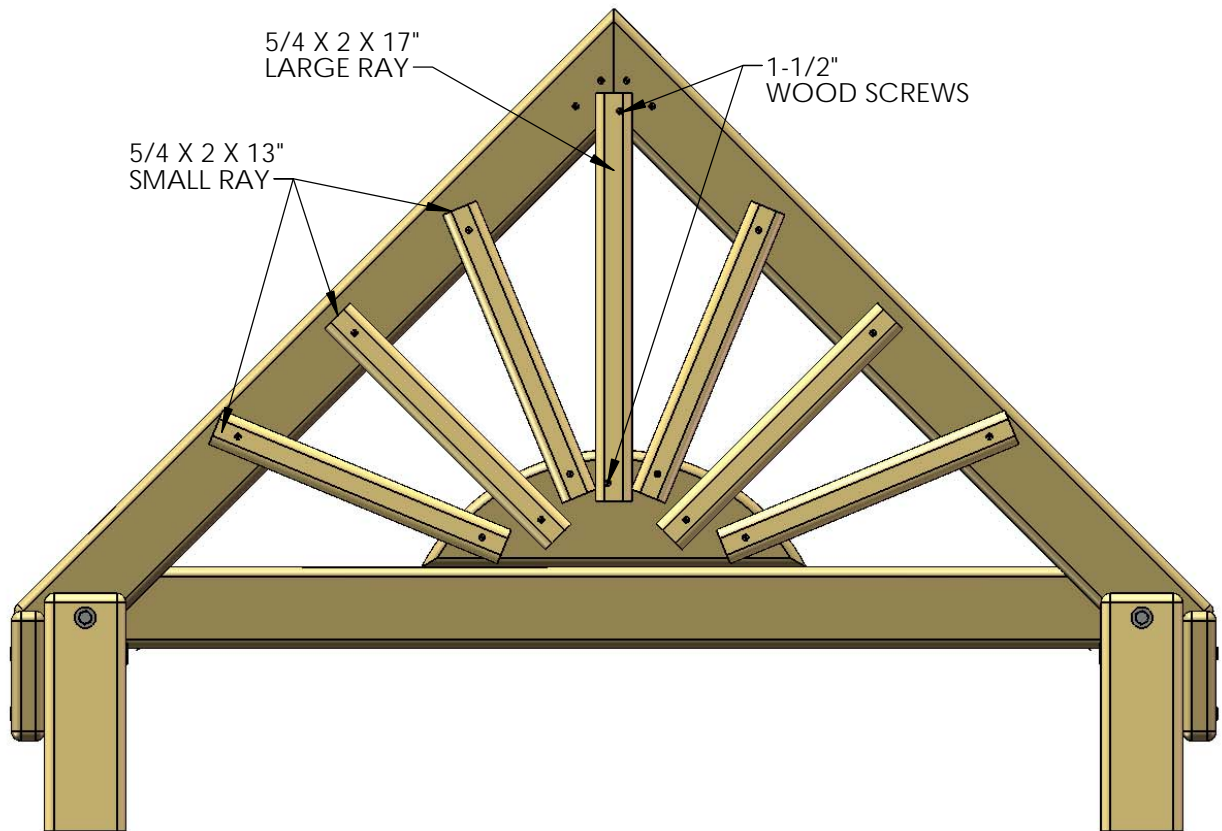
1: Place a 2 x 4 x 43-3/4" Sun Support underneath the Roof Supports. Make sure the Sun Support is level. Attach the Sun Support through the pre-drilled holes in the bottom to the Roof Supports with two 2-1/2" wood screws. Repeat for the other side of the roof.

2: Place a 2 x 6 x 16" Sun centered on top of the Sun Support. The face of the Sun should be flush with the face of the Sun Support. Fasten the Sun to the Sun Support with two 3" wood screws. Repeat for the other side of the roof.



STEP 39: SUN RAYS

- 1: All the sun ray pieces get installed to the inside surface of the Roof Supports and Sun pieces.
- 2: Place the 5/4 x 2 x 17" Large Ray centered under the peak of the Roof Supports. Attach the Large Ray to the Roof Support and Sun with two 1-1/2" wood screws.
- 3: Arrange six 5/4 x 2 x 13" Small Rays on either side of the Large ray (three small rays per side) as shown below. Attach each Small Ray to the Roof Support and Sun with two 1-1/2" wood screws.
- 4: Repeat substeps 2 and 3 for the other side of the roof.



STEP 40: WINDOW SUPPORTS/WINDOWS

In this step the wood components to attach windows will be installed on the inside of the left of the playset. Go up on top of the deck and look out the left of the play set.

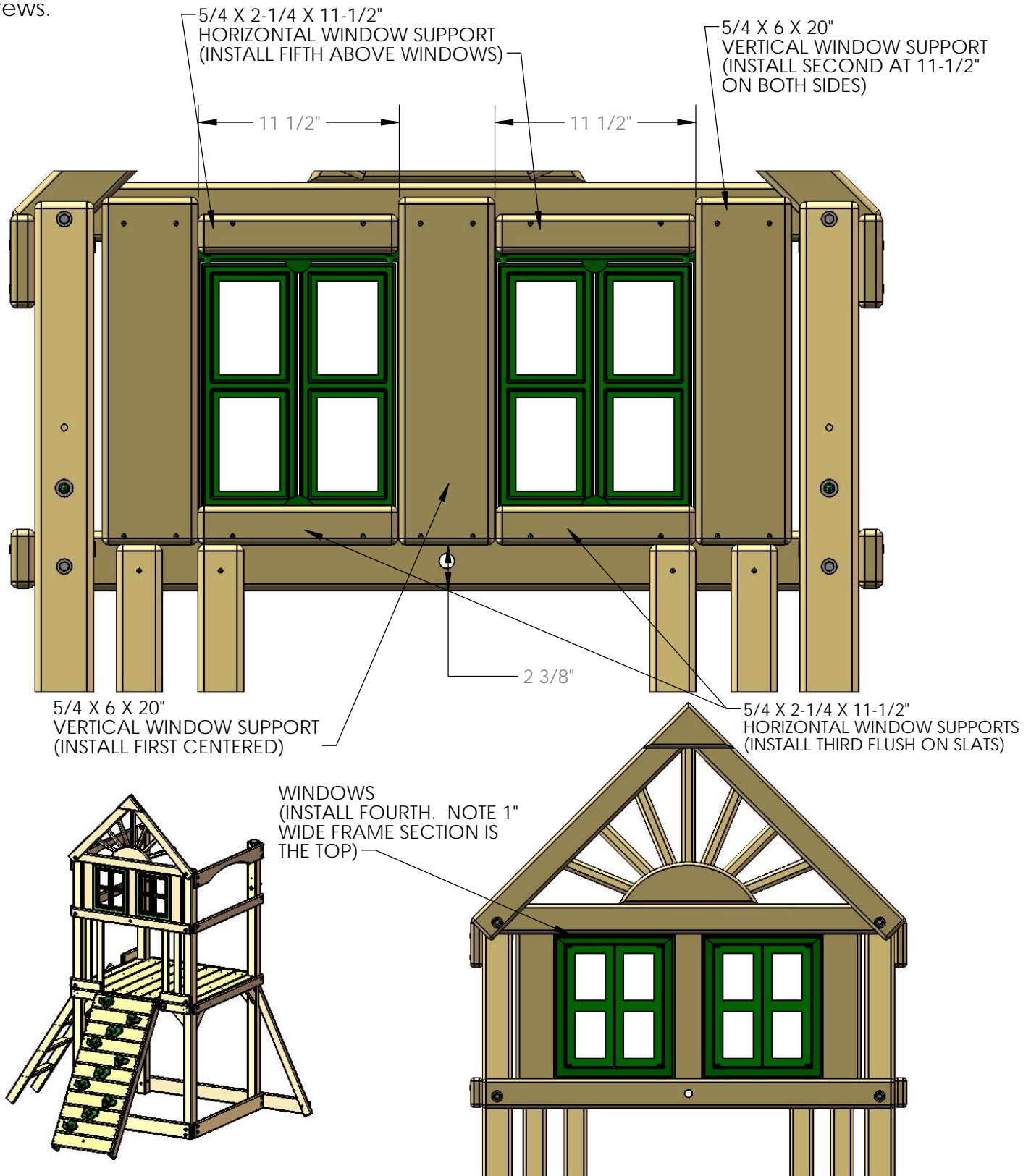
1: Attach the 5/4 x 6 x 20" Vertical Window Support in the center with 2" wood screws.

2: Attach the 5/4 x 6 x 20" Vertical Window Supports on the sides with 2" wood screws.

3: Attach the 5/4 x 2-1/4 x 11-1/2" Horizontal Window Supports at the bottom with 2" wood screws.

4: Go to the outside left of the play set and install the Windows with 1-1/4" wood screws.

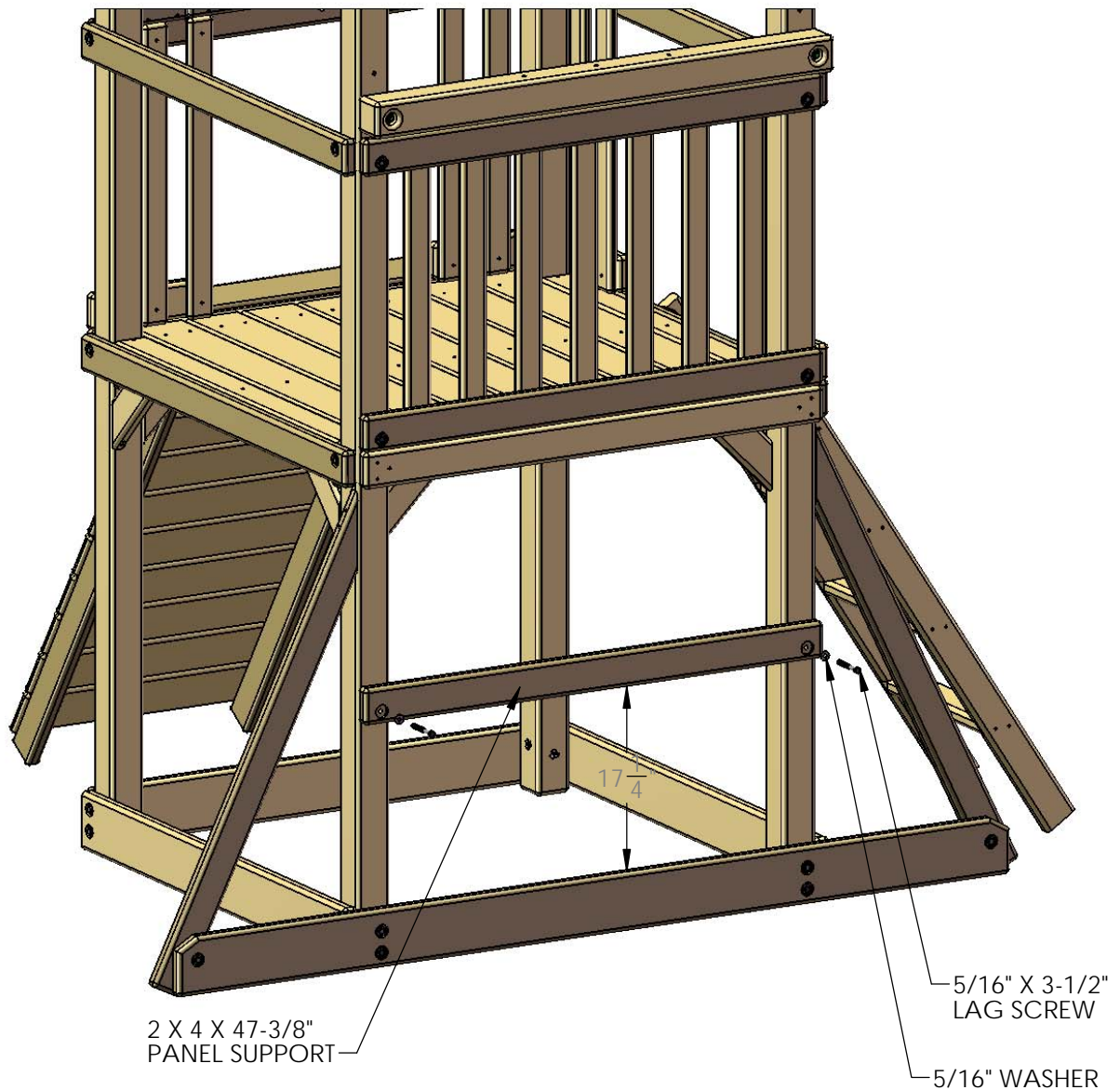
5: Attach the 5/4 x 2-1/4 x 11-1/2" Horizontal Window Supports at the top with 2" wood screws.



STEP 41: SAFETY BOARD

This board is meant to be a visual deterrent to prevent children from running through the base of the play set into other children on the swing set.

- 1: Measure 17-1/4" from the top of the Right Sandbox Board and make a mark on the right corner posts.
- 2: Place the bottom of a 2 x 4 x 47-3/8" Panel Support with offset holes down on the marks.
- 3: Attach the Panel Support to the right corner posts with two 5/16" x 3-1/2" lag screws and two 5/16" washers.



STEP 42: SLIDES

1: Lay Slides on deck with the lip extending onto/over the Deck Spacer.

2: Secure each Slide to the Deck Spacer with two #8 x 1-1/4" wood screws

*** DO NOT OVER TIGHTEN***

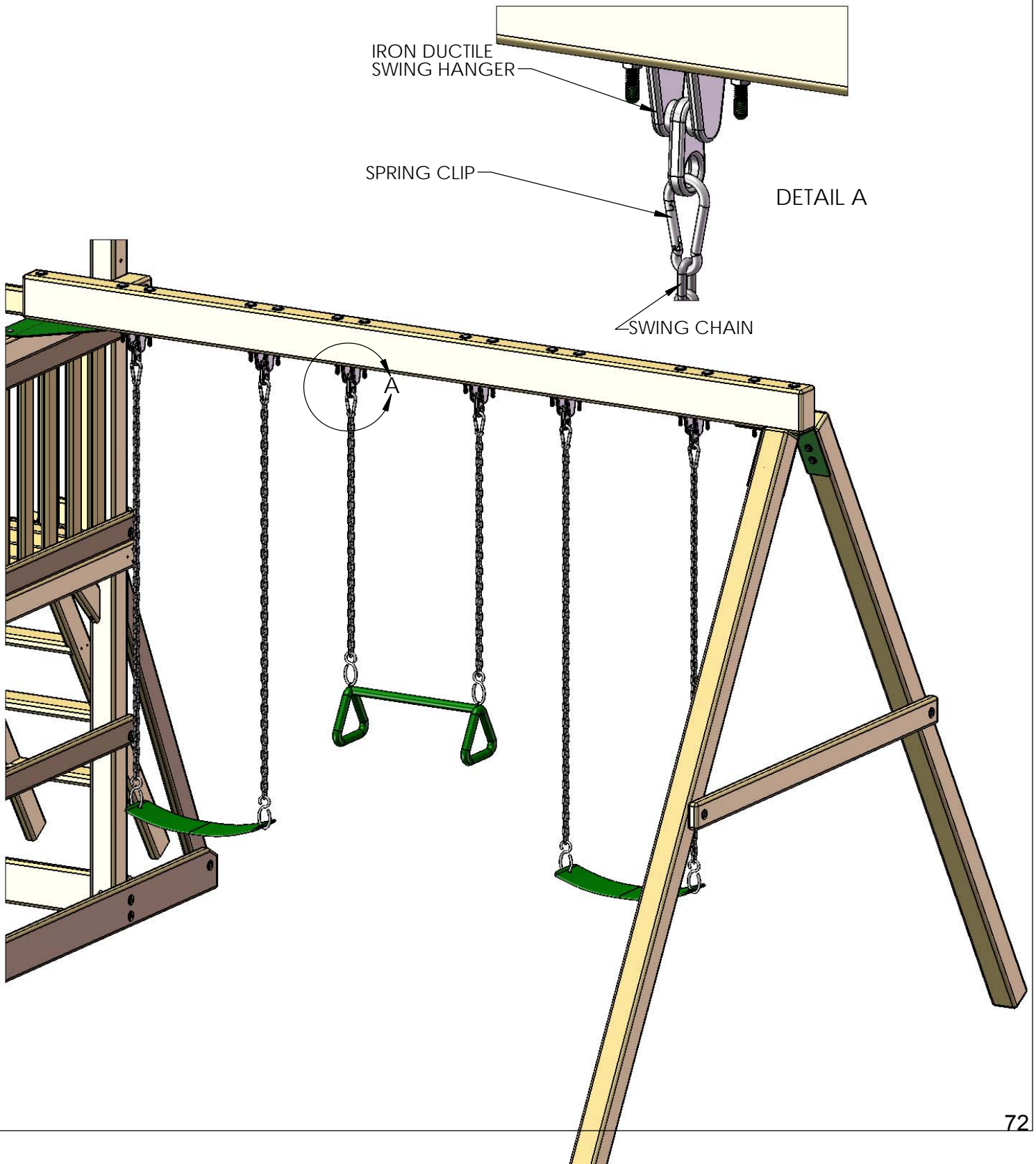
3: Once slide is installed **DO NOT** lift the end of the slide. **DO NOT** bump the slide with a lawn mower. These actions and any other actions which crack the slide where the screws are fastened to the deck are not covered by your warranty.

*** DO NOT PICK UP SLIDE FROM BOTTOM ONCE INSTALLED***



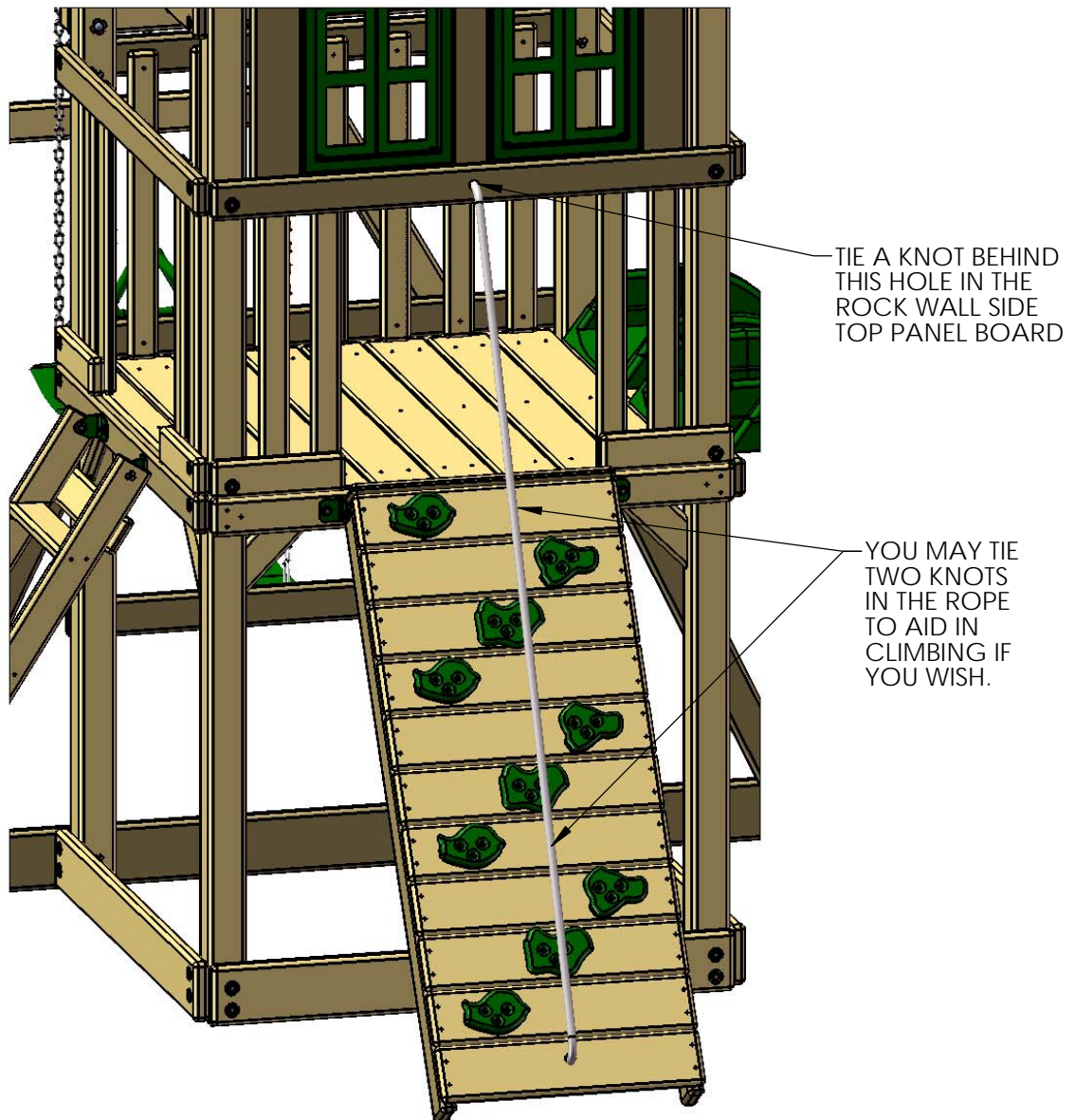
STEP 43: HANGING THE SWINGS

- 1: Clip each of the Spring Clips onto the Iron Ductile Swing Hangers, then clip onto the swing chains.
- 2: Use the clips to adjust the height of the swing by clipping onto higher or lower links.
- 3: Count back the same number of links on the opposite side to ensure that the swing is level, and adjust to fit your needs.



STEP 44: CLIMBING ROPE

- 1: Thread one end of the Rope through the hole in the Rock Wall Side Top Panel Board.
- 2: Tie a secure knot on the inside of the Rock Wall Side Top Panel Board.
- 3: Thread the other end of the Rope through the hole in the Bottom Rock Wall Board. Pull the Rope tight and tie a secure knot behind the Bottom Rock Wall Board.
- 4: Note: you may tie two knots in the Rope to aid in climbing if you wish. Do this before performing sub step 3.
- 5: Once the Rope is tied on both ends attempt to wrap the rope around your hand. If the rope wraps around your hand it is too loose. Untie one end and retie the rope until you can no longer wrap it around your hand.



STEP 45: FLAG KIT

- 1: Place the Flags on the FRONT side of the play set centered on the corner posts.
- 2: Attach the plastic base of each Flag to the corner post with the 1/2" phillips head screws provided with the Flags.

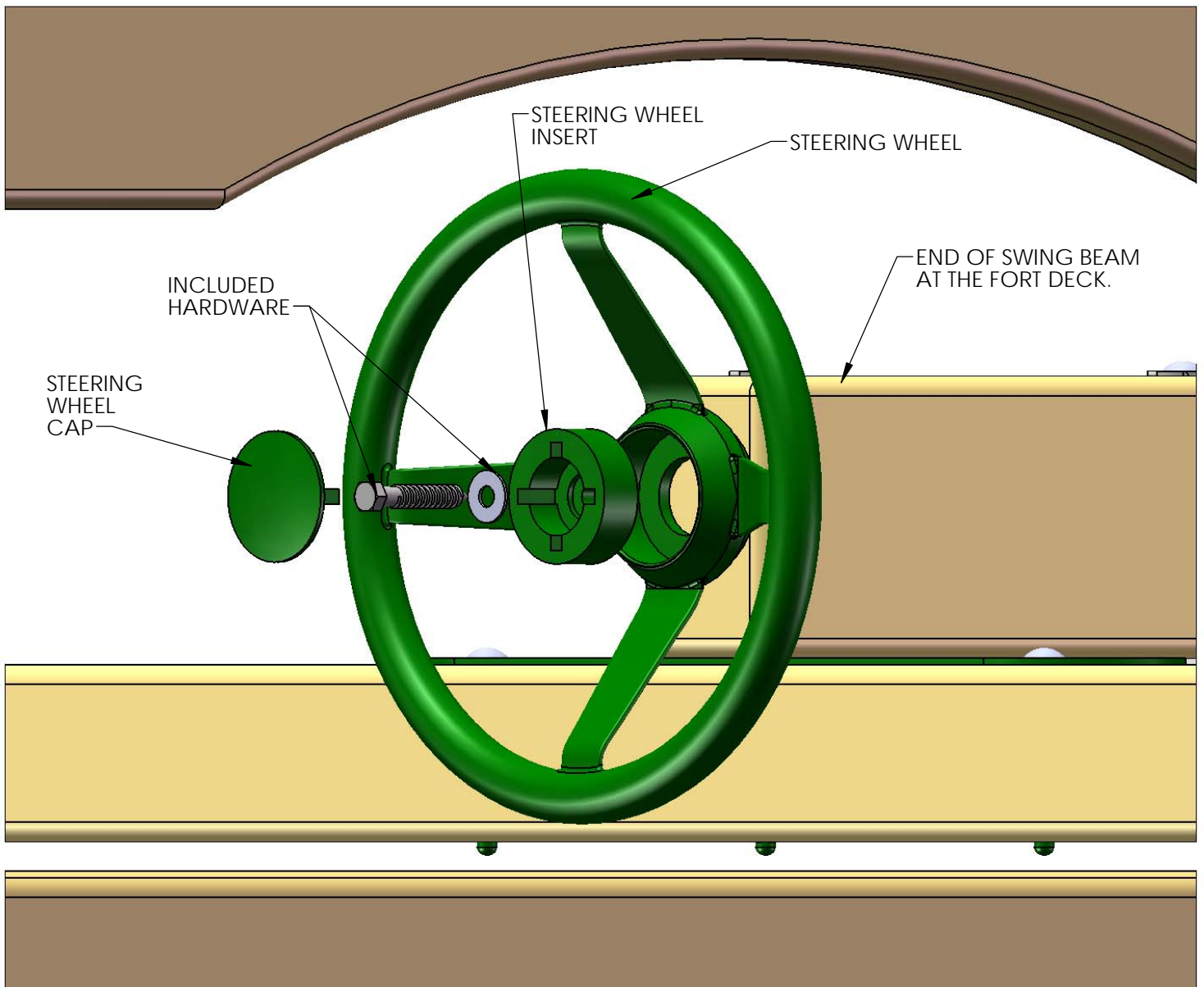


STEP 46: STEERING WHEEL

1: Place the Steering Wheel Insert inside the Steering Wheel.

2: Pre-drill an 11/64" hole about 2" deep into the end of the Swing Beam. Use the hardware included (one 3/8 x 2-1/2" lag screw and one 3/8" washer) with the Steering Wheel to mount the Steering Wheel to the end of the Swing Beam. DO NOT over-tighten the lag screw into the Steering Wheel Insert or the Steering Wheel will not turn.

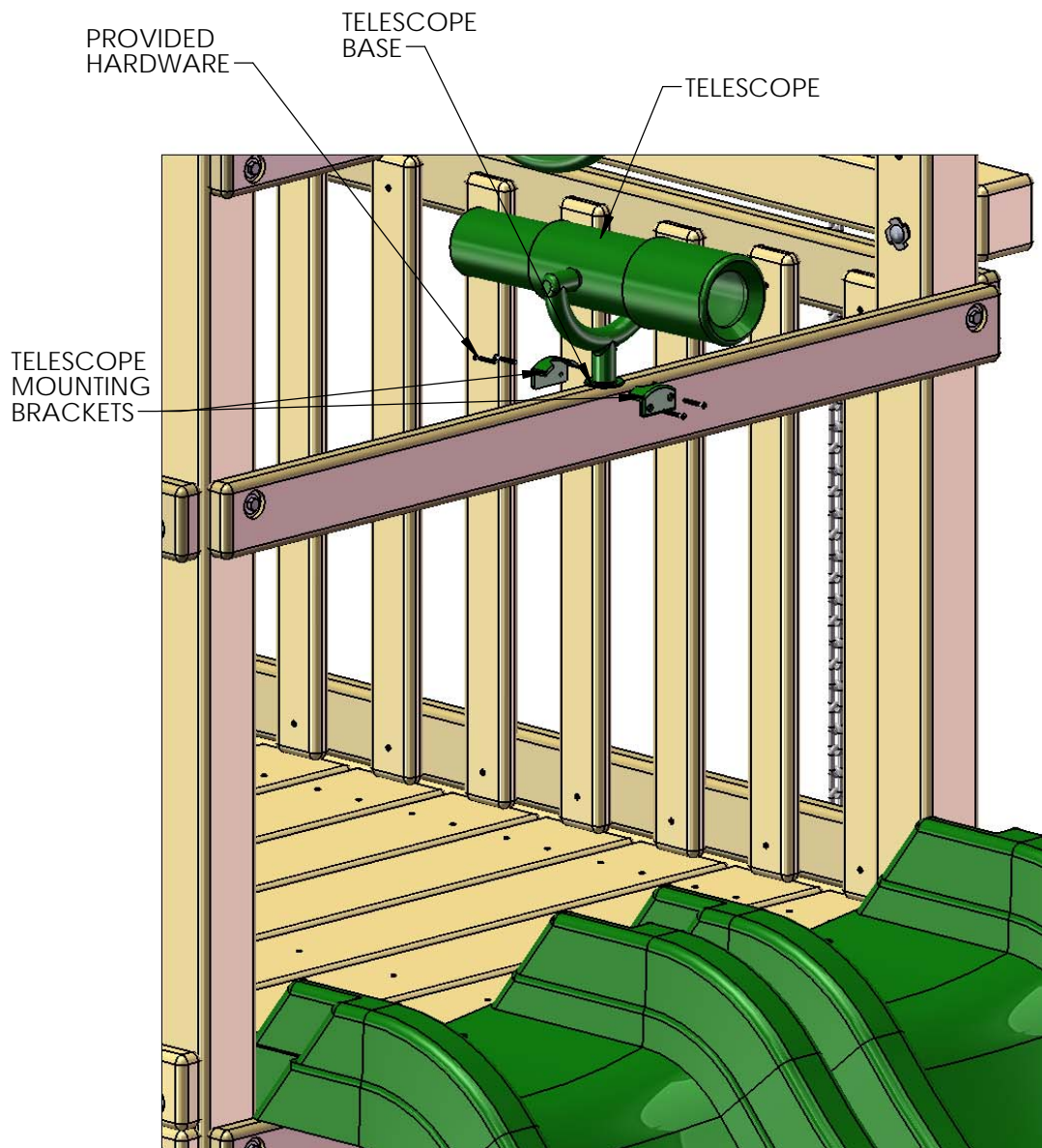
3: Place the Steering Wheel Cap over the center of the Steering Wheel and snap into place inside the Steering Wheel Insert.



STEP 47: TELESCOPE

- 1: Place one of the L-shaped Telescope Mounting Brackets centered on the Panel Support.
- 2: Attach the L-shaped bracket with two screws provided with the Telescope.
- 3: Place the base of the Telescope into the cut out area of the L-shaped bracket.
- 4: Attach another L-shaped Telescope Mounting Bracket directly across from the previously installed bracket and secure with the provided hardware.

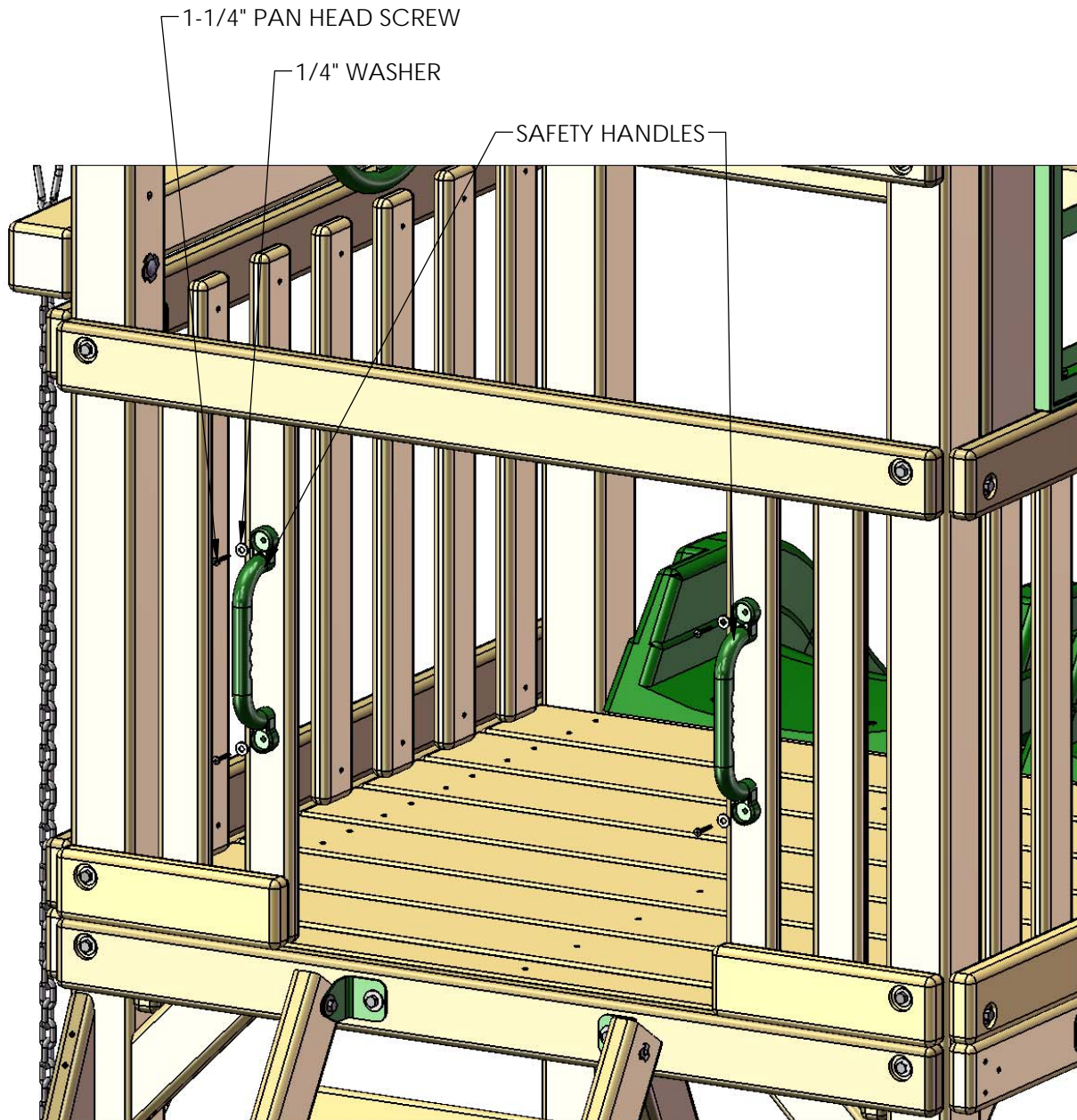
Note: The remaining two brackets that are "C" shaped are for mounting the telescope on top of a 4 x 4 piece of wood. They may be recycled or you may retain them if you wish.



STEP 48: SAFETY HANDLES

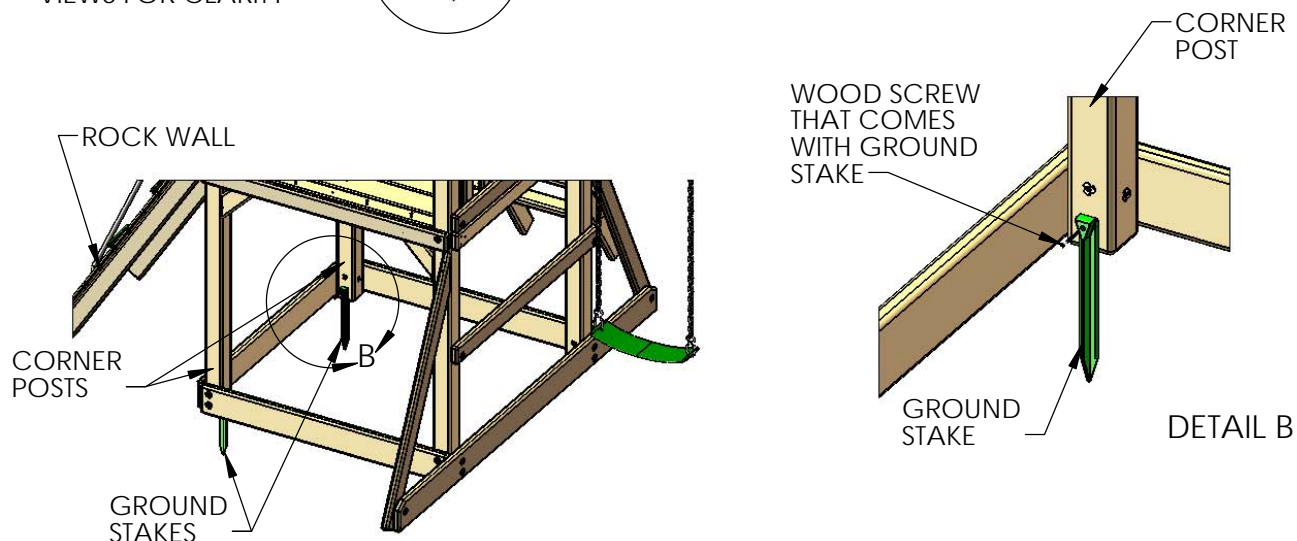
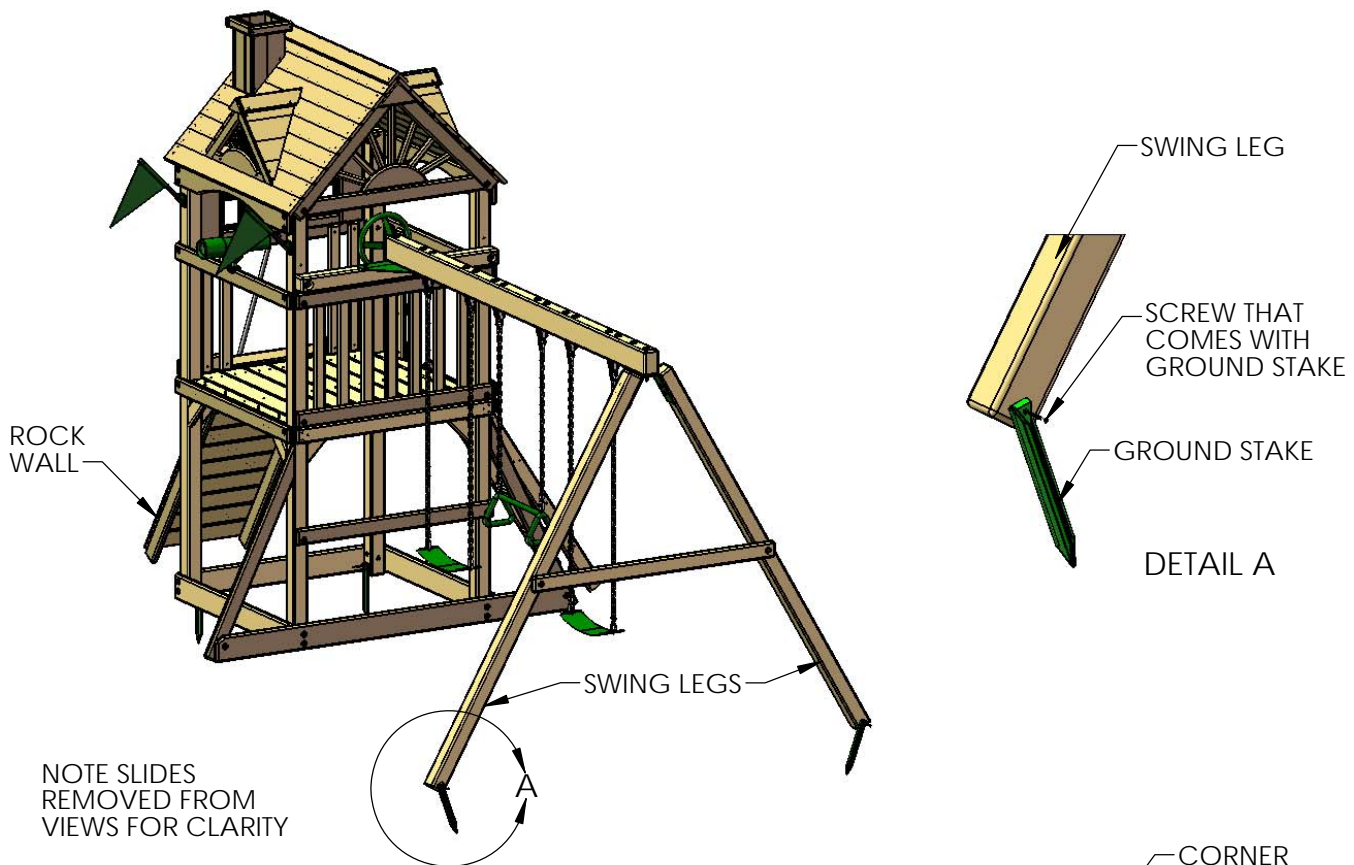
1: Place the Safety Handles centered onto the Panel Slats above the Ladder. Adjust the Safety Handles up or down to suit the needs of your child.

2: Attach each Safety Handle with two 1-1/4" pan head screws and two 1/4" washers provided with each Safety Handle.



STEP 49: GROUND STAKES

- 1: PLACE THE GROUND STAKES ON THE OUTSIDE OF THE SWING LEGS AS SHOWN BELOW.
- 2: HAMMER EACH GROUND STAKE IN AT AN ANGLE SIMILAR TO WHAT IS SHOWN. USE CAUTION WHEN HAMMERING SO THAT YOU DO NOT MAR THE WOOD. LEAVE THE TOP PORTION OF THE GROUND STAKE ABOVE THE GROUND FAR ENOUGH SO THAT YOU CAN STILL GET THE SCREW INTO THE HOLE AT THE TOP OF THE STAKE.
- 3: SECURE EACH STAKE TO THE SWING LEGS WITH THE SCREWS PROVIDED WITH THE STAKES.
- 4: HAMMER A GROUND STAKE ON THE INSIDE OF EACH CORNER POST NEAR THE ROCK WALL. USE CAUTION WHEN HAMMERING SO THAT YOU DO NOT MAR THE WOOD. LEAVE THE TOP PORTION OF THE GROUND STAKE ABOVE THE GROUND FAR ENOUGH SO THAT YOU CAN STILL GET THE SCREW INTO THE HOLE AT THE TOP OF THE STAKE.
- 5: SECURE EACH STAKE TO THE CORNER POSTS WITH THE SCREWS PROVIDED WITH THE STAKES.



STEP 50: TIC TAC TOE

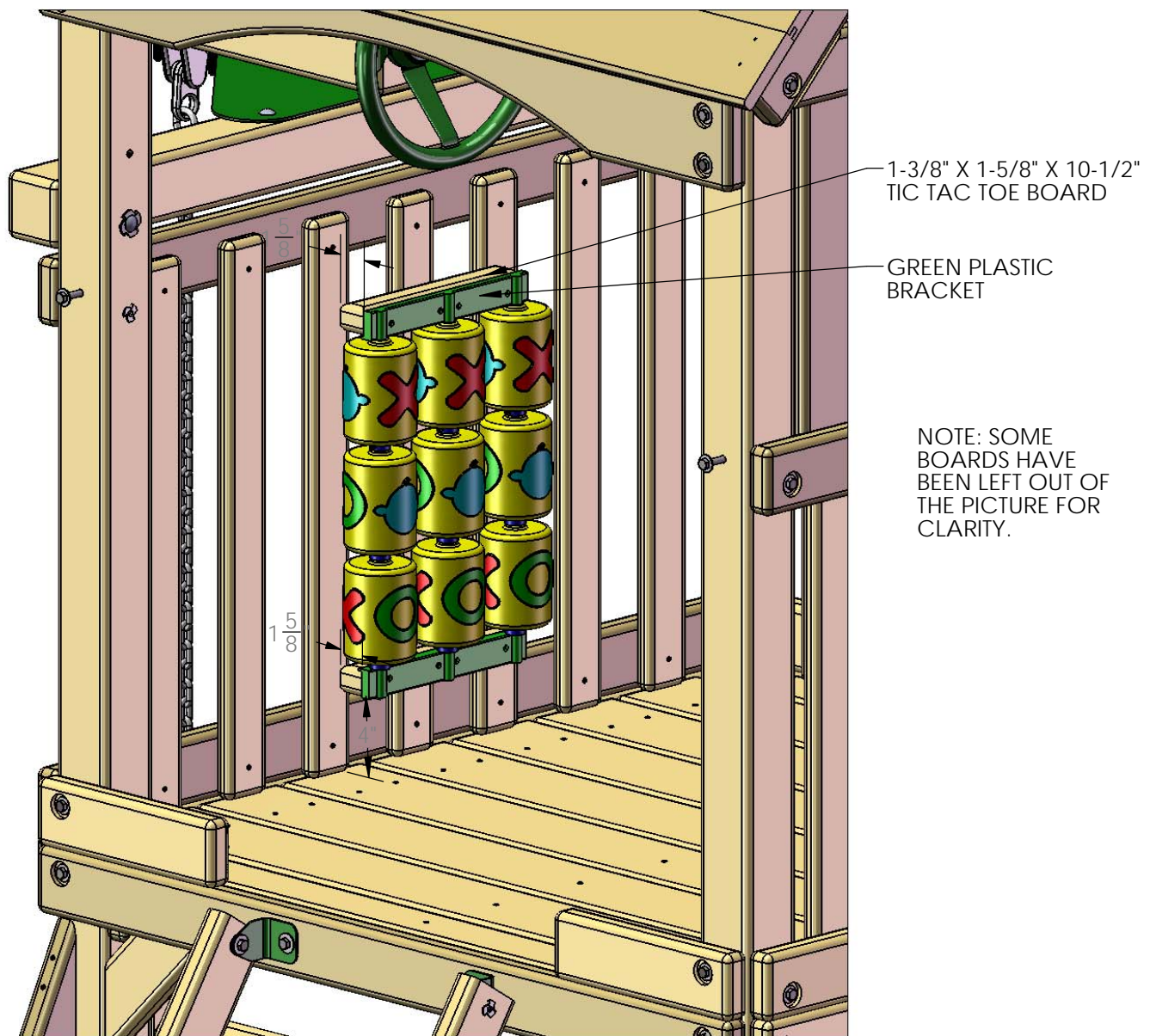
1: Attach the two 1-3/8" x 1-5/8" x 10-1/2" L Tic Tac Toe Boards to the Green Plastic Brackets with the 1" L phillips head screws provided in the Tic Tac Toe box.

IMPORTANT: Make sure the Tic Tac Toe Board is mounted to the Green Plastic Bracket observing the 1-5/8" dimension shown below.

2: Assemble the Tic Tac Toe panel according to the instructions in the box. **IGNORE** Step 6 and Step 7 in the instructions.

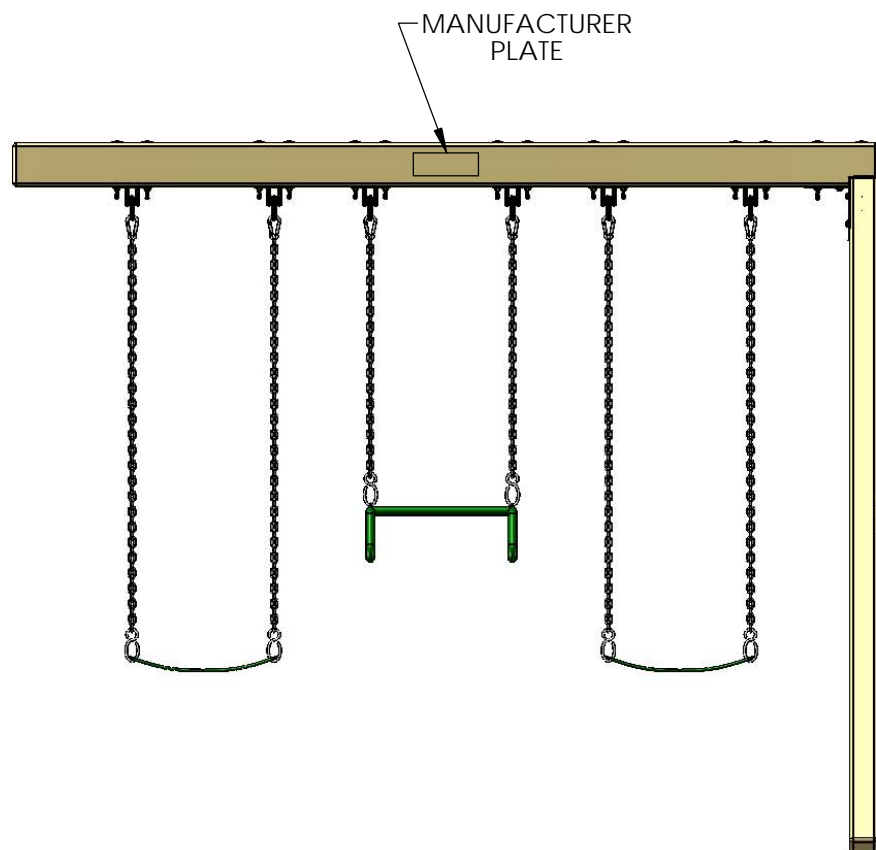
3: Center the unit on the panel slats on the swing beam side of the play set.

4: Mount the lower Tic Tac Toe Board 4" above the deck. Attach the Tic Tac Toe Boards to the Panel Slats from outside the play set with #8 x 2" L wood screws.



STEP 51: NAME PLATE

1: ATTACH THE MANUFACTURER NAME PLATE TO THE MIDDLE OF THE SWING BEAM WITH TWO 2" WOOD SCREWS.



STEP 52: CROWN

- 1: PLACE THE PLASTIC CROWN OVER THE SUN WOOD PART.
- 2: ATTACH THE PLASTIC CROWN TO THE SUN PART WITH TWO #8 X 1-1/2" WOOD SCREWS

