

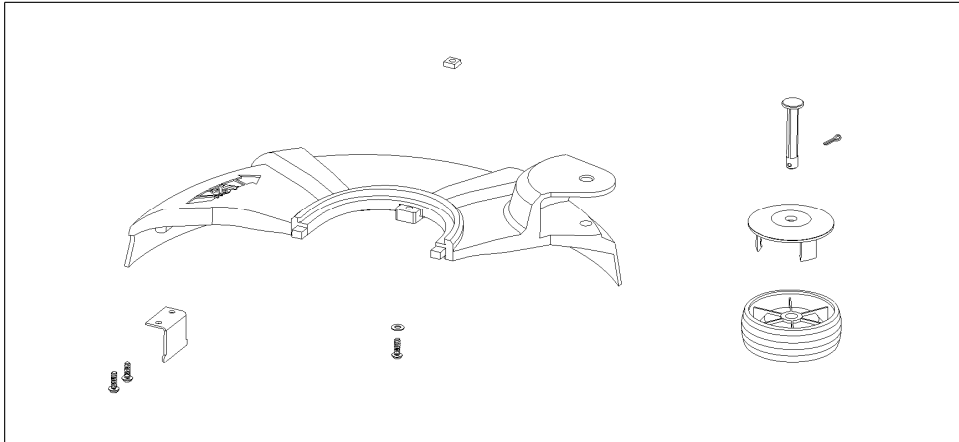
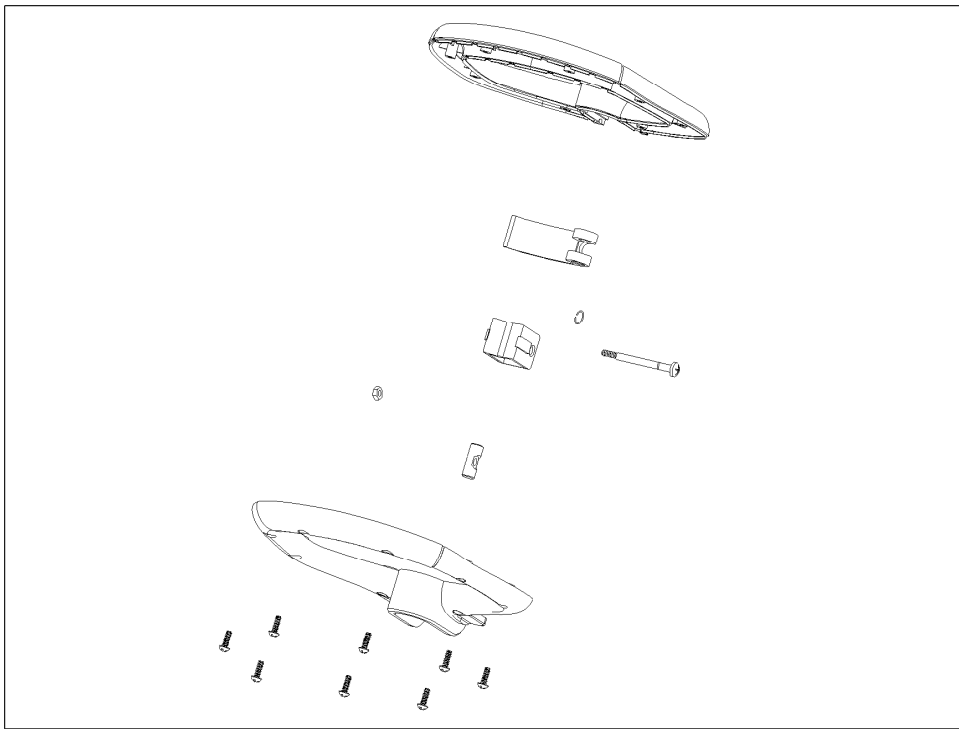


**Count on it.**

**Parts Catalog**

**14in Electric Trimmer**

Model No. 51480—Serial No. 312000001 and Up



## Assist Handle and Shield Assembly

<i>Ref.</i>	<i>Part Number</i>	<i>Qty.</i>	<i>Description</i>
1	119-9750	1	Assist Handle ASM
2	119-9751	1	Shield ASM

# Attachments and Accessories

## For 51480 14in Electric Trimmer

**Product Name**

**Model/Part**

Dual-line Trimmer Spool ..... 88512



**Count on it.**