

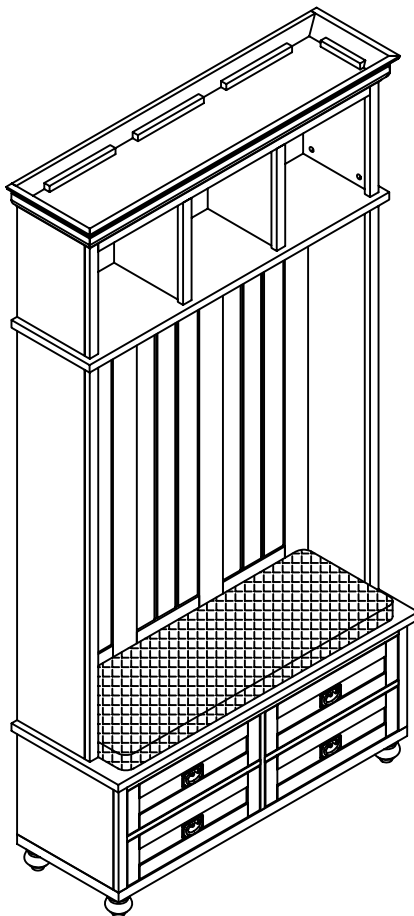
HOME DECORATORS COLLECTION

1002975592 1002975591 1002975590
1002975594 1002975593 1002975595

SK19801R2 VERNON STORAGE LOCKER 78.2"Hx46.3"Wx16"D

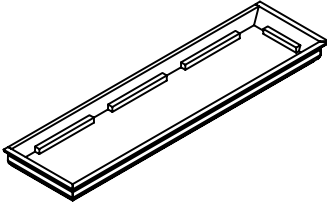
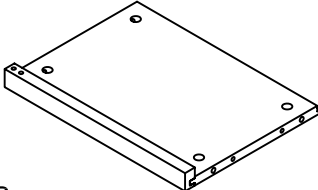
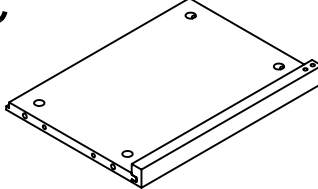
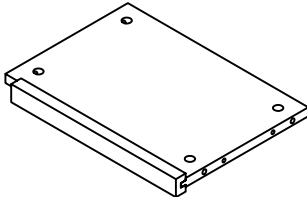
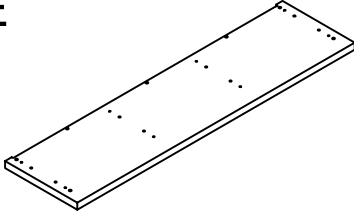
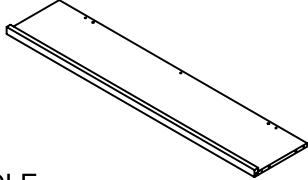
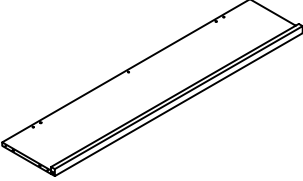
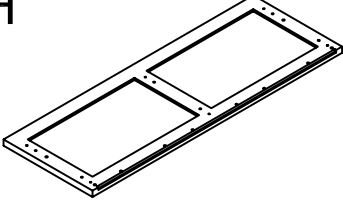
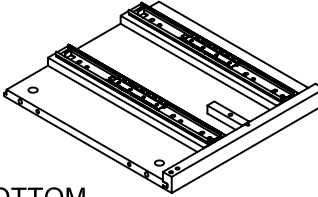
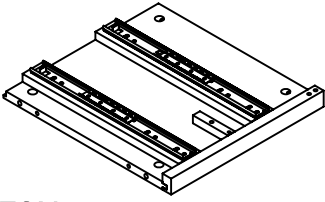
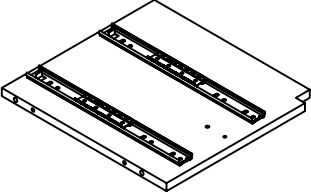
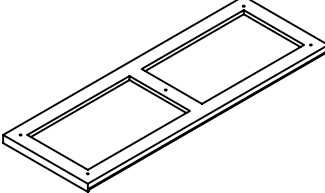
ASSEMBLY INSTRUCTIONS

Made In China

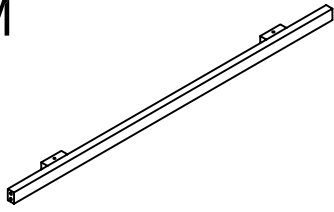


Thank you for purchasing this quality product. Be sure to check all packing material carefully for small parts, which may have come loose inside the carton during shipment. Count all parts and material hardware, then compare with parts list to be sure all parts are present. If any parts are missing or damaged, please contact our Customer Service Department for efficient and speedy service. Please indicate the model number and code letter of part(s) needed.

IMPORTANT NOTE: Follow instructions listed below in proper sequence as numbered to assure fast, easy and correct assembly.

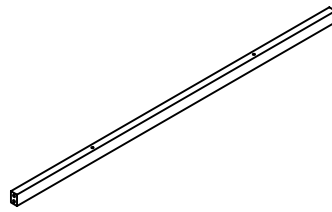
PARTS LIST		
A  TOP PANEL-1PC	B  TOP LEFT SIDE PANEL-1PC	C  TOP RIGHT SIDE PANEL-1PC
D  TOP PARTITION-2PCS	E  TOP FIXED PANEL-1PC	F  MIDDLE LEFT SIDE PANEL-1PC
G  MIDDLE RIGHT SIDE PANEL-1PC	H  BOTTOM FIXED PANEL-1PC	I  BOTTOM LEFT SIDE PANEL-1PC
J  BOTTOM RIGHT SIDE PANEL-1PC	K  BOTTOM PARTITION-1PC	L  BOTTOM PANEL-1PC

M



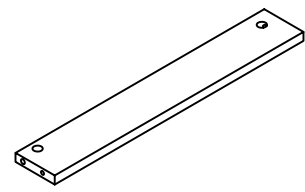
TOP CROSS BAR-1PC

N



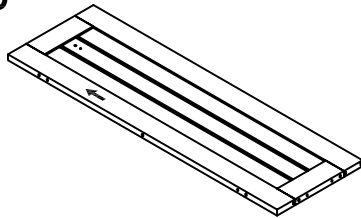
MIDDLE CROSS BAR-1PC

O



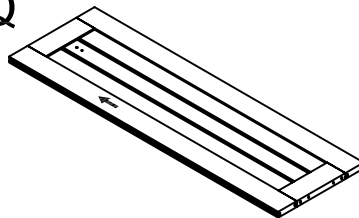
BOTTOM CROSS BRACE-2PCS

P



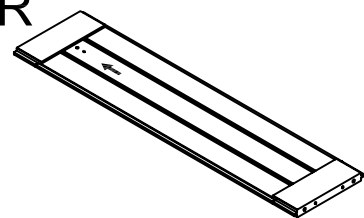
LEFT SIDE BACK PANEL-1PC

Q



RIGHT SIDE BACK PANEL-1PC

R



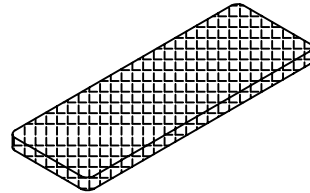
MIDDLE BACK PANEL-1PC

S



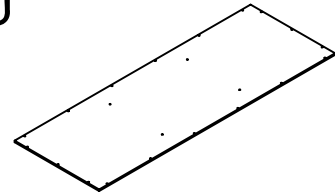
FOOT-5PCS

T



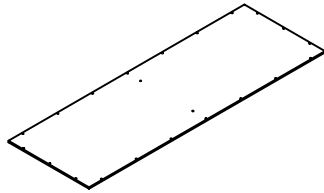
CUSHION-1PC

U



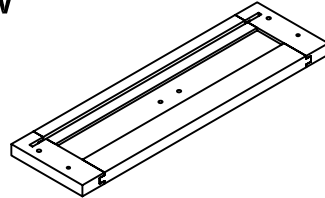
TOP BACK PANEL-1PC

V



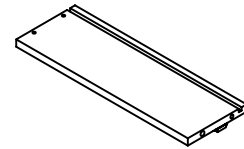
BOTTOM BACK PANEL-1PC

W



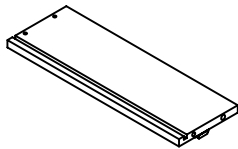
DRAWER FRONT PANEL-4PCS

X



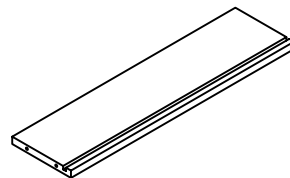
DRAWER LEFT SIDE PANEL-4PCS

Y



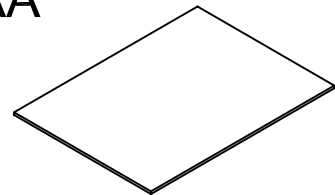
DRAWER RIGHT SIDE PANEL-4PCS

Z


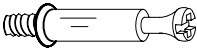


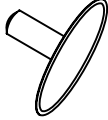
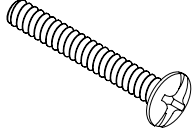

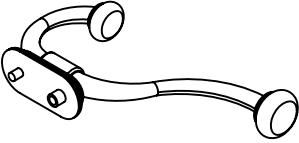
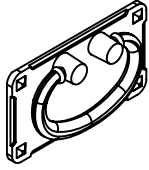


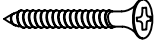


DRAWER BACK PANEL-4PCS

AA

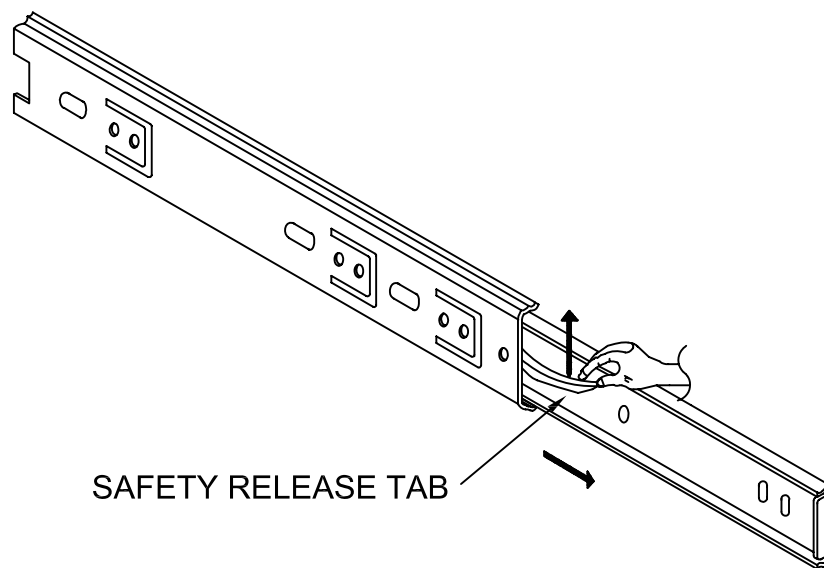


DRAWER BOTTOM PANEL-4PCS

<p>a</p>  <p>WOOD DOWEL-72PCS</p>	<p>b</p>  <p>CAM LOCK BOLT-46PCS</p>	<p>c</p>  <p>CAM LOCK-46PCS</p>	
<p>d</p>  <p>SHORT PLASTIC COVER-8PCS</p>	<p>e</p>  <p>LONG PLASTIC COVER-16PCS</p>	<p>f</p>  <p>Ø1/4"X45mm BOLT-6PCS</p>	
<p>g</p>  <p>5/8" ROUND HEAD SCREW-42PCS</p>	<p>h</p>  <p>POTHOOK-3PCS</p>	<p>i</p>  <p>DRAWER HANDLE-4PCS</p>	
<p>j</p>  <p>Ø5/32"X10mm BOLT-11PCS</p>	<p>k</p>  <p>1-1/2" FLAT HEAD SCREW-13PCS</p>	<p>l</p>  <p>1" FLAT HEAD SCREW-18PCS</p>	
<p>ANTI-TIPPING HARDWARE PACKAGE</p> <p>1 x4 RECTANGLE METAL PLATE</p> <p>2 x2 1/2"L FLAT HEAD SCREW</p> <p>3 x2 PLASTIC ANCHOR</p> <p>4 x2 PLASTIC BAND</p> <p>5 x2 1-1/2"L FLAT HEAD SCREW</p>			

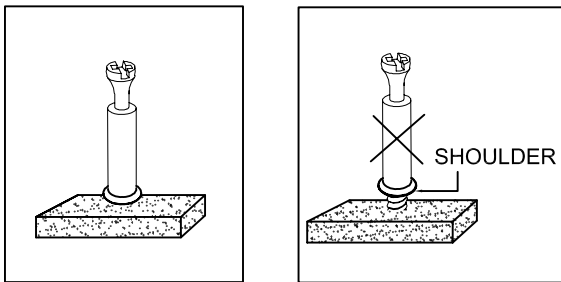
NOTE:THE SURFACE WITH THE STICKER IS THE BACK SIDE

HOW TO SEPARATE GLIDES



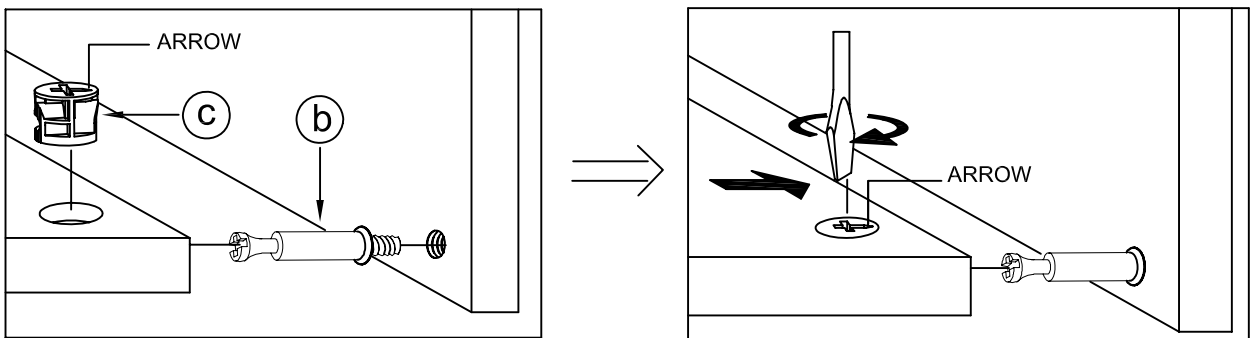
PRIOR TO ASSEMBLY, WE SUGGEST SEPARATING THE INNER GLIDES FROM THE OUTER-GLIDES, SIMPLY PULL THE LEFT/RIGHT INNER GLIDES FROM THE OUTER GLIDES EXPOSING A SMALL BLACK SAFETY RELEASE TAB, BY PUSHING THE SAFETY RELEASE TAB. YOU WILL BE ABLE TO SEPARATE THE GLIDES.

NOTE: • UPON OPENING, THOROUGHLY CLEAN ALL WOOD SURFACES TO REMOVE DUST AND DIRT THAT MAY HAVE SETTLED ONTO THE FINISH DURING SHIPMENT. IN ORDER TO PREVENT DAMAGE DURING ASSEMBLY. PLEASE ASSEMBLE THIS ITEM WITH AT LEAST TWO PEOPLE.



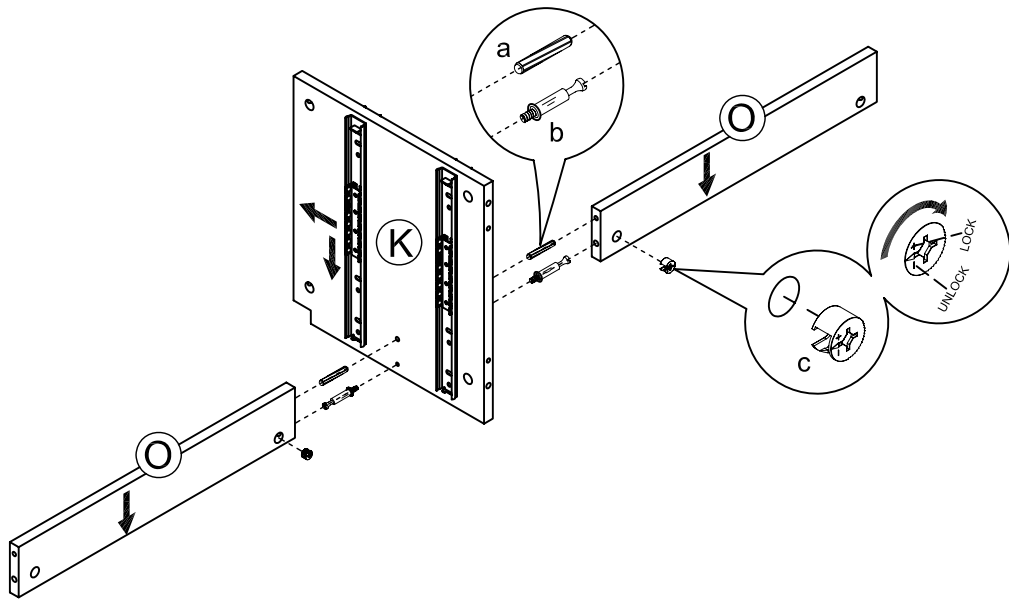
NOTE: TURN THE CAM-BOLT SCREWS UNTIL THEY ARE TIGHT, THE SHOULDER SHOULD BE AGAINST THE SURFACE OF THE PART.

HOW TO USE THE CAM-TOOL



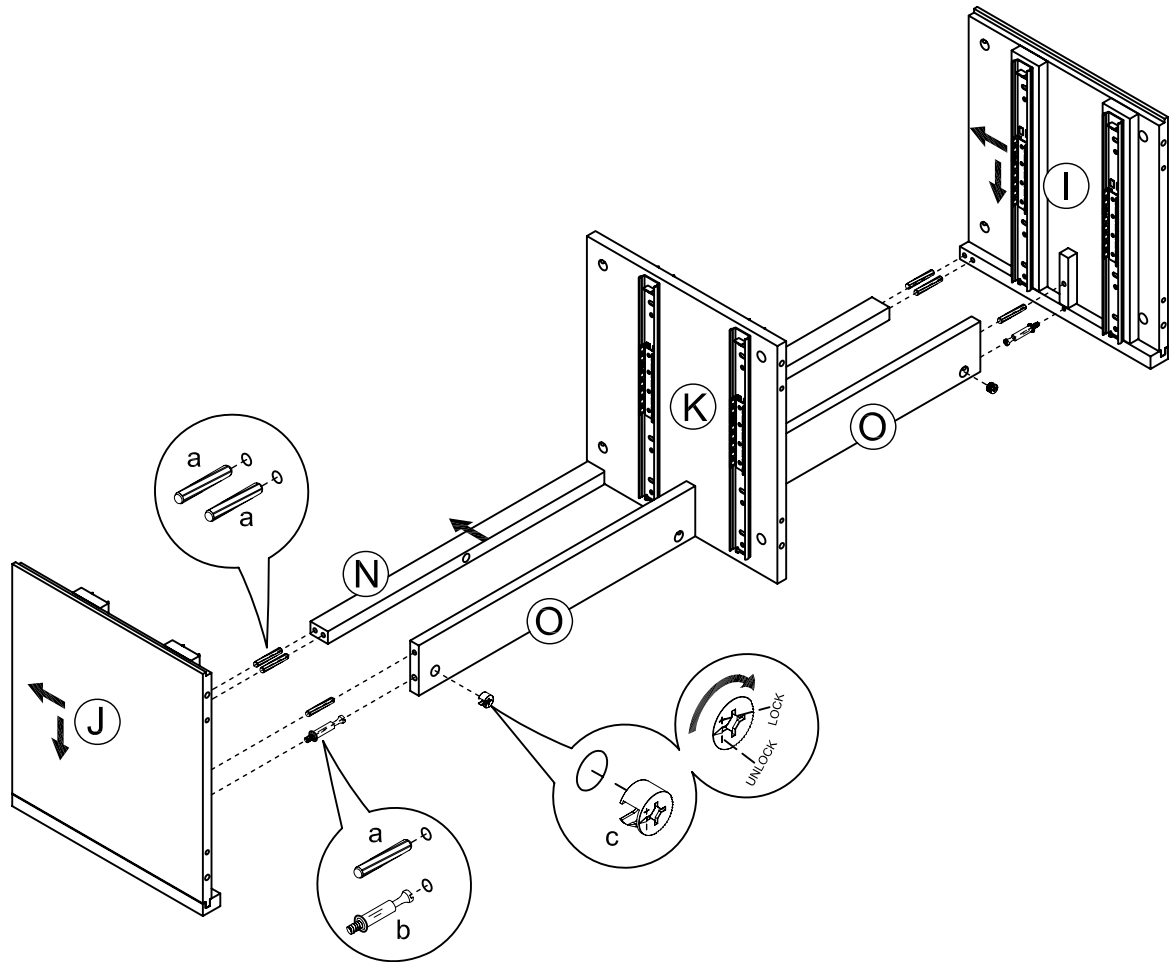
NOTE: • THE ARROWS ON THE HIDDEN CAM-LOCKS SHOULD POINT TO THE CAM-BOLTS.

FIG 1



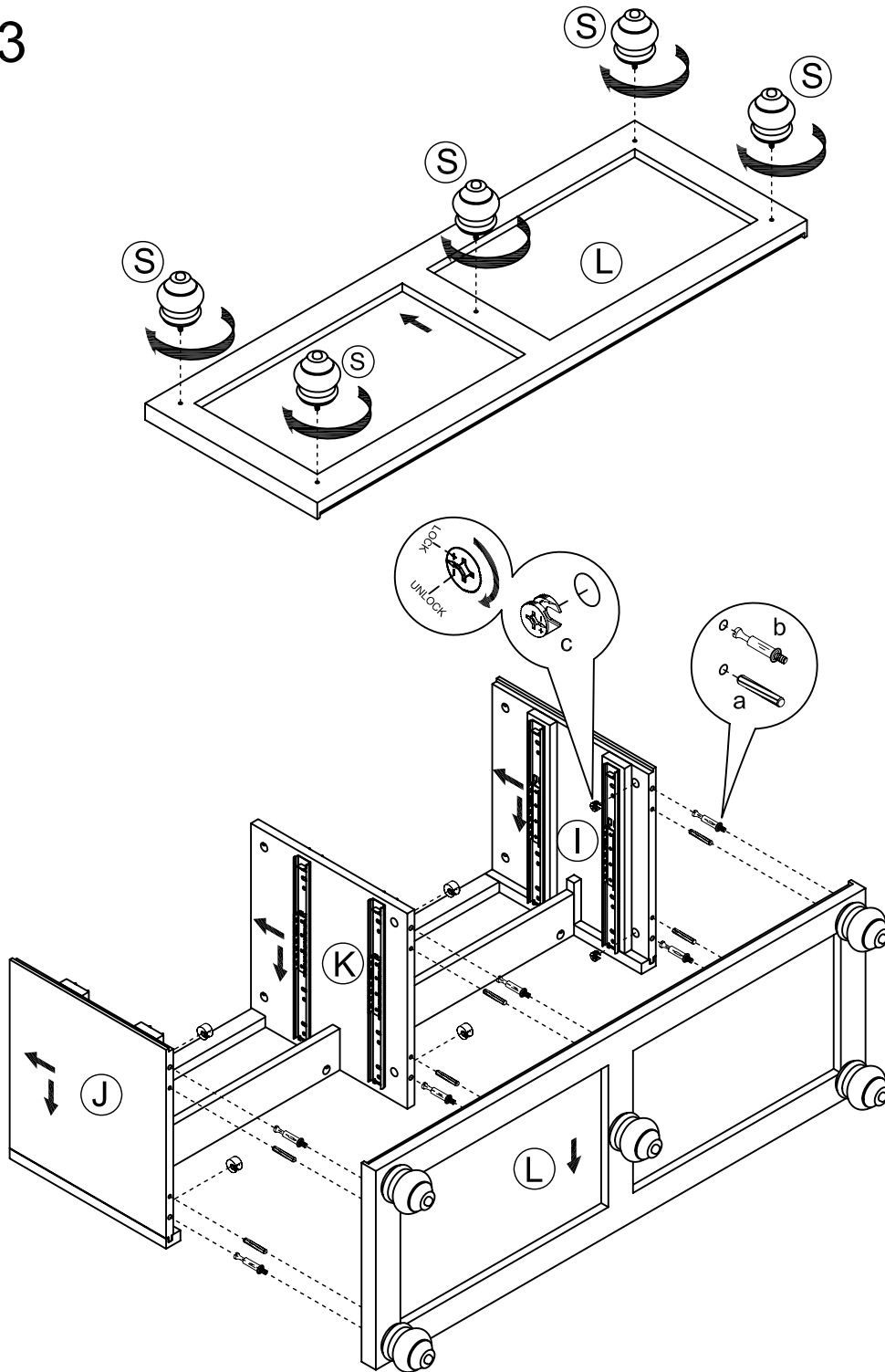
- INSTALL THE WOOD DOWEL (a) AND THE CAM LOCK BOLT (b) INTO THE BOTTOM PARTITION (K).
- JOIN THE BOTTOM CROSS BRACE (O) TO THE BOTTOM PARTITION (K) BY USING THE WOOD DOWEL (a) FIRST.
- TIGHTEN CAM LOCK BOLT (b) WITH THE CAM LOCK (c) IN THE PRE-DRILLED HOLES.

FIG 2



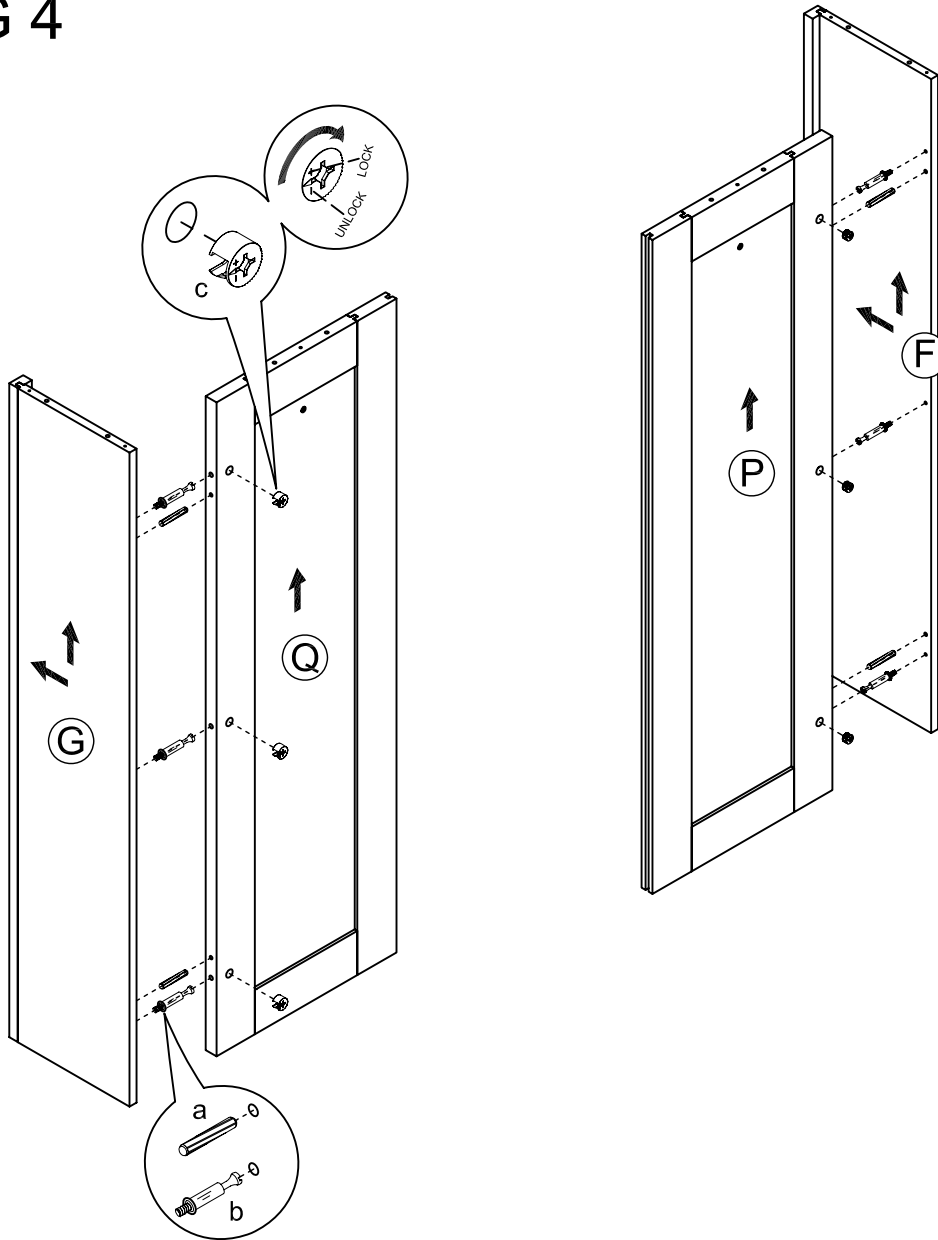
- INSTALL THE WOOD DOWEL (a) AND THE CAM LOCK BOLT (b) INTO THE BOTTOM LEFT SIDE PANEL (I) AND THE BOTTOM RIGHT SIDE PANEL (J).
- JOIN THE BOTH BOTTOM SIDE PANELS (I) & (J) TO THE ASSEMBLED PART AND THE MIDDLE CROSS BAR (N) BY USING THE WOOD DOWEL (a) FIRST.
- TIGHTEN CAM LOCK BOLT (b) WITH THE CAM LOCK (c) IN THE PRE-DRILLED HOLES.

FIG 3



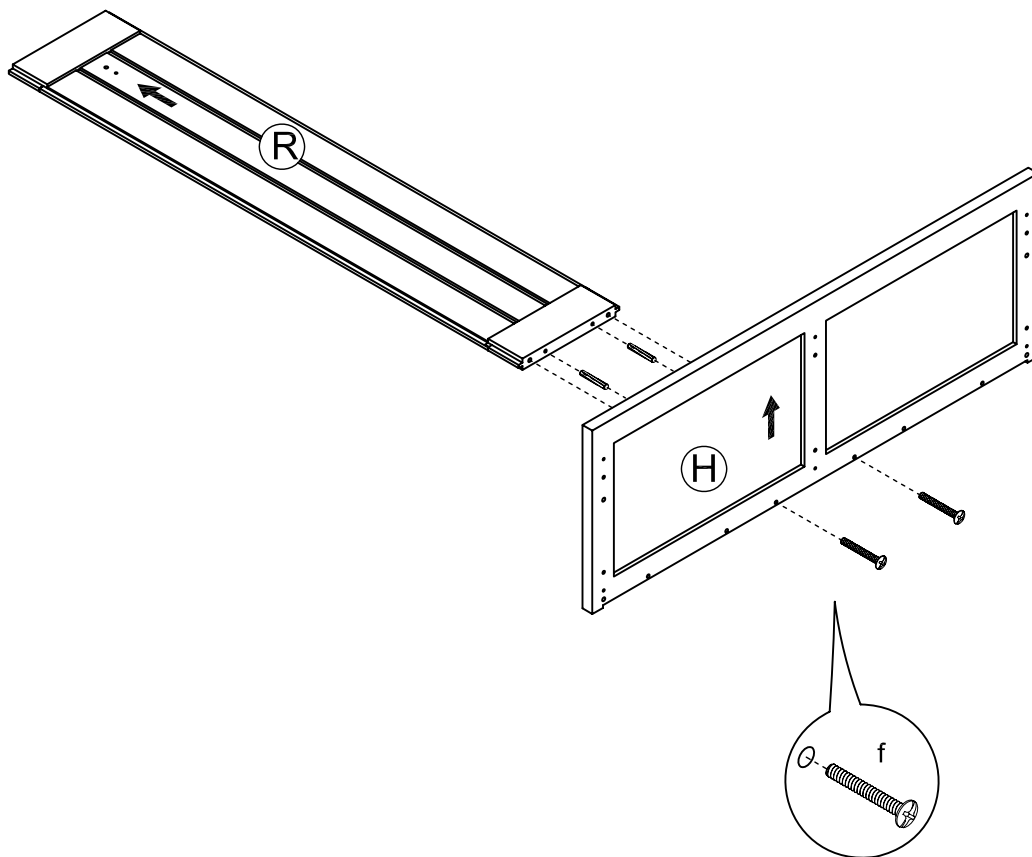
- TIGHTEN THE FOOT (S) INTO THE BOTTOM OF THE BOTTOM PANEL (L) AS SHOWN.
- INSTALL THE WOOD DOWEL (a) AND THE CAM LOCK BOLT (b) INTO THE TOP OF THE BOTTOM PANEL (L).
- JOIN THE BOTTOM PANEL (L) TO THE ASSEMBLED PART BY USING THE WOOD DOWEL (a) FIRST.
- TIGHTEN CAM LOCK BOLT (b) WITH THE CAM LOCK (c) IN THE PRE-DRILLED HOLES.

FIG 4



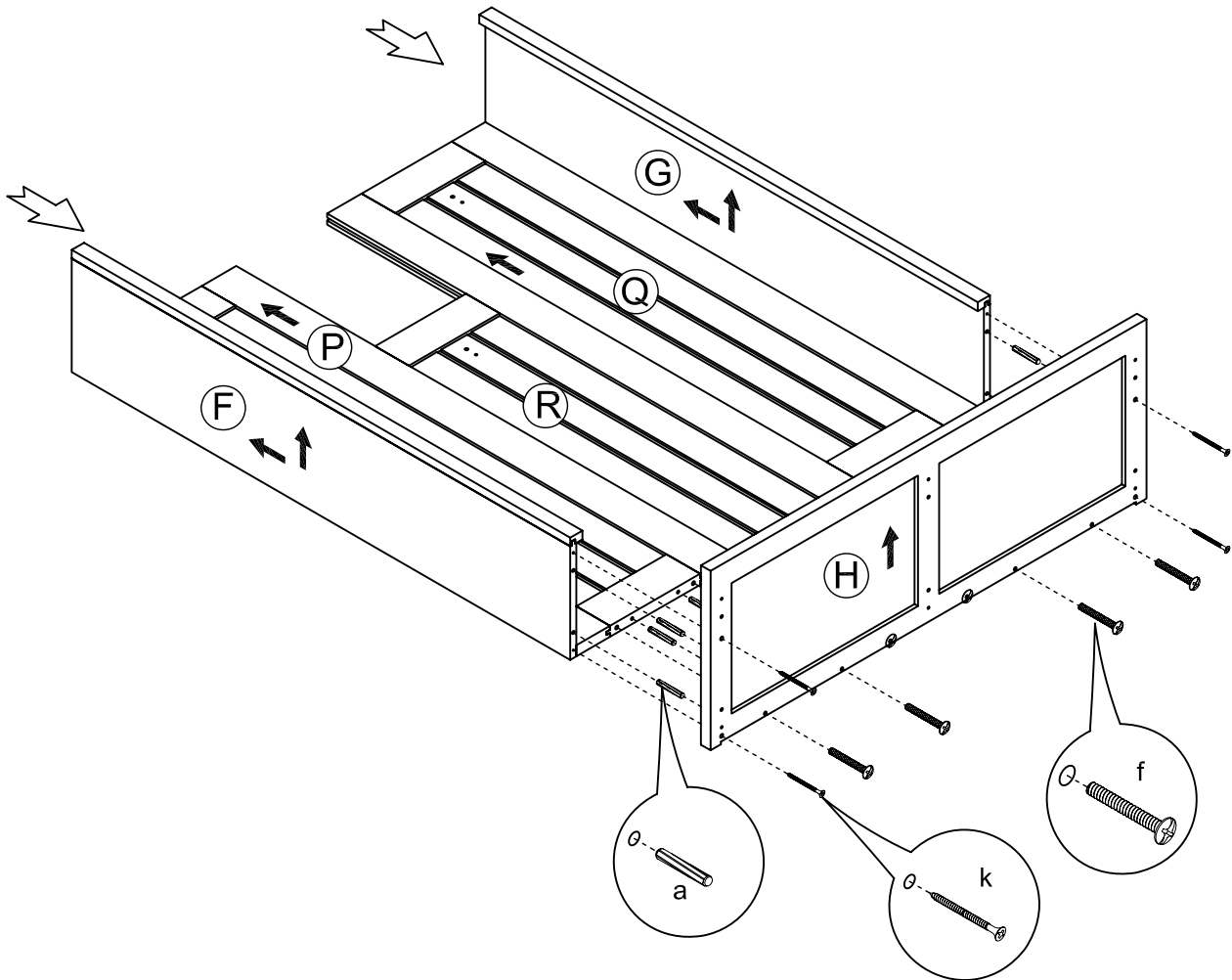
- INSTALL THE WOOD DOWEL (a) AND THE CAM LOCK BOLT (b) INTO THE MIDDLE LEFT SIDE PANEL (F) AND THE MIDDLE RIGHT SIDE PANEL (G).
- JOIN THE LEFT SIDE BACK PANEL (P) TO THE MIDDLE LEFT SIDE PANEL (F) BY USING THE WOOD DOWEL (a) FIRST.
- JOIN THE RIGHT SIDE BACK PANEL (Q) TO THE MIDDLE RIGHT SIDE PANEL (G) BY USING THE WOOD DOWEL (a) FIRST.
- TIGHTEN CAM LOCK BOLT (b) WITH THE CAM LOCK (c) IN THE PRE-DRILLED HOLES.

FIG 5



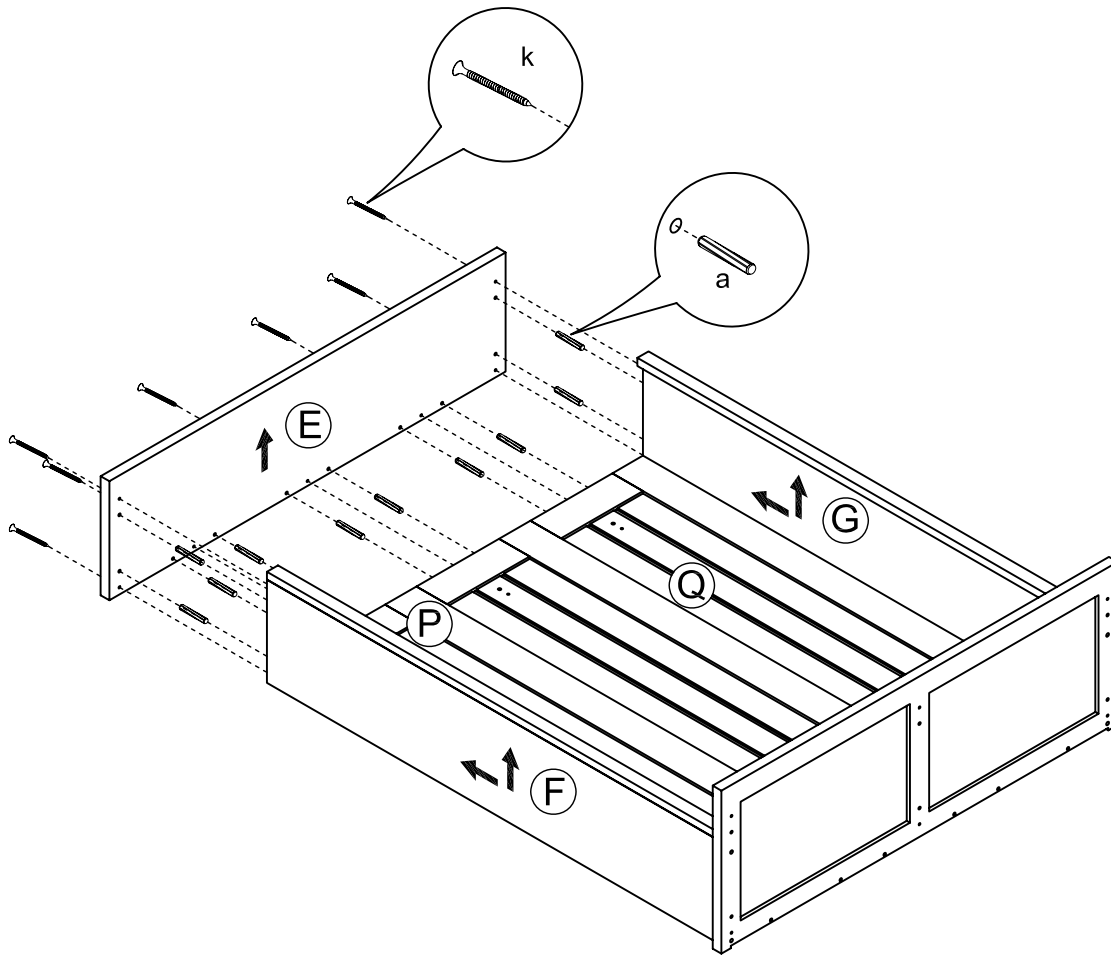
- JOIN THE MIDDLE BACK PANEL (R) TO THE BOTTOM FIXED PANEL (H) BY USING THE WOOD DOWEL (a) FIRST.
- TIGHTEN THE MIDDLE BACK PANEL (R) BY USING THE $\text{Ø}1/4 \times 45\text{mm}$ BOLT (f) THROUGH THE PRE-DRILLED HOLES ON THE BOTTOM OF THE BOTTOM FIXED PANEL (H) AS SHOWN.

FIG 6



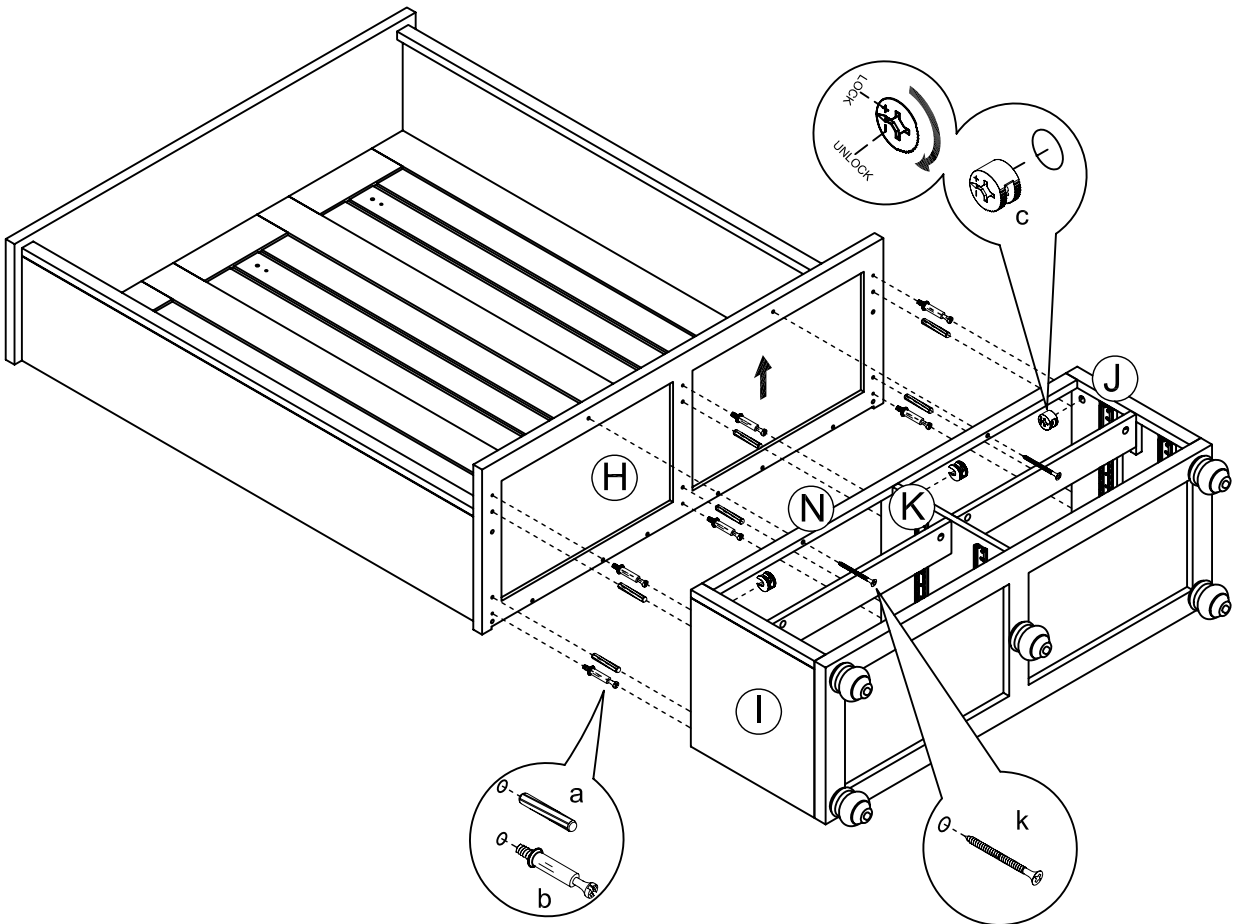
- THERE ARE GROOVES ON THE LEFT SIDE BACK PANEL (P) AND THE RIGHT SIDE BACK PANEL (Q) TO LINE UP WITH THE MIDDLE BACK PANEL (R).
- INSTALL THE WOOD DOWEL (a) INTO THE TOP OF THE BOTTOM FIXED PANEL (H) AS SHOWN.
- JOIN THE TWO ASSEMBLED PARTS TO THE BOTTOM FIXED PANEL (H) BY USING THE WOOD DOWEL (a) FIRST.
- TIGHTEN THE BOTTOM FIXED PANEL (H) BY USING THE $\varnothing 1/4 \times 45\text{mm}$ BOLT (f) AND THE 1-1/2" L FLAT HEAD SCREW (k) THROUGH THE PRE-DRILLED HOLES ON THE BOTTOM OF THE BOTTOM FIXED PANEL (H) AS SHOWN.

FIG 7



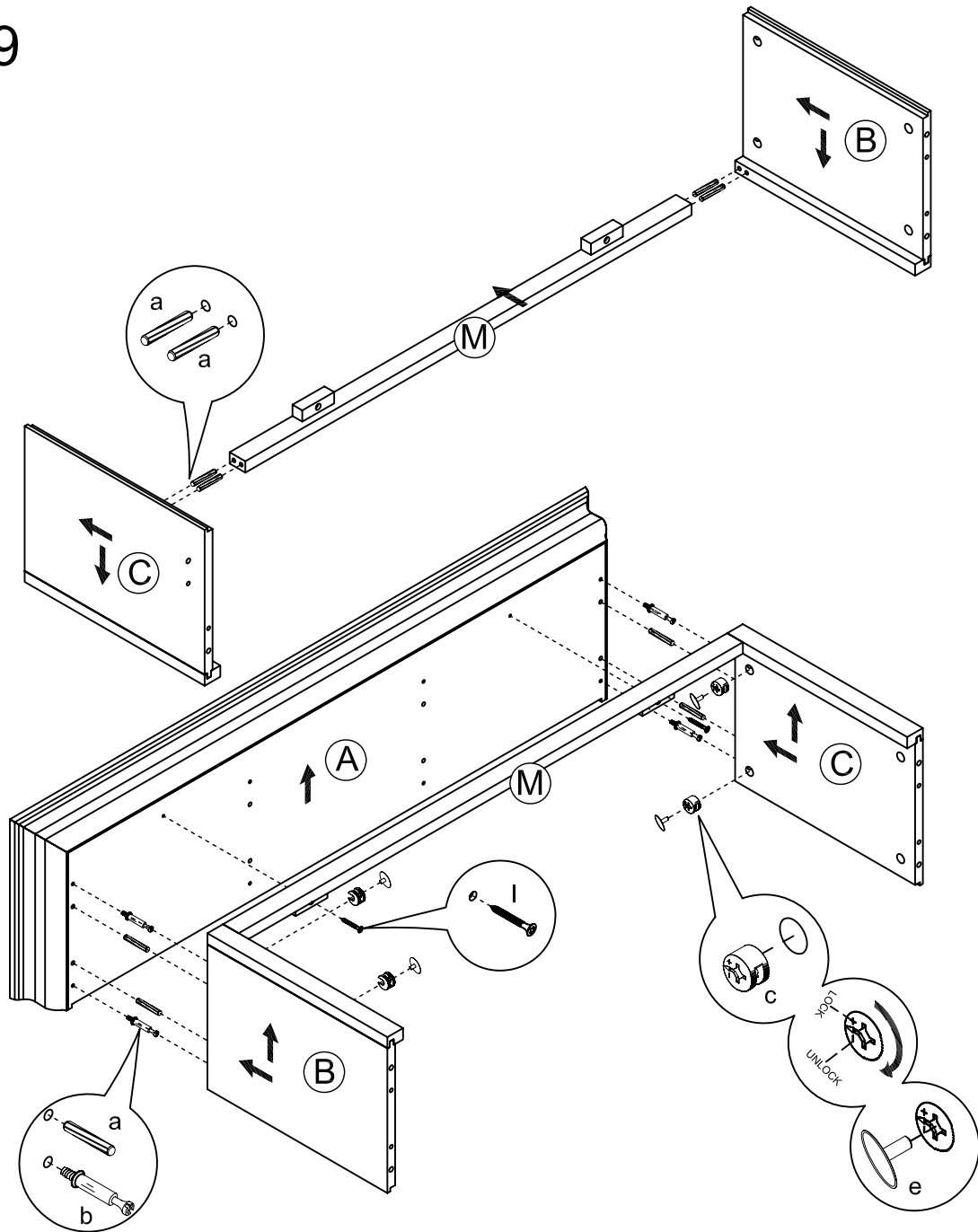
- INSTALL THE WOOD DOWEL (a) INTO THE BOTTOM OF THE TOP FIXED PANEL (E) AS SHOWN.
- JOIN THE TOP FIXED PANEL (E) TO THE ASSEMBLED PART BY USING THE WOOD DOWEL (a) FIRST.
- TIGHTEN THE TOP FIXED PANEL (E) BY USING THE 1-1/2"L FLAT HEAD SCREW (k) THROUGH THE PRE-DRILLED HOLES ON THE TOP OF THE TOP FIXED PANEL (E) AS SHOWN.

FIG 8



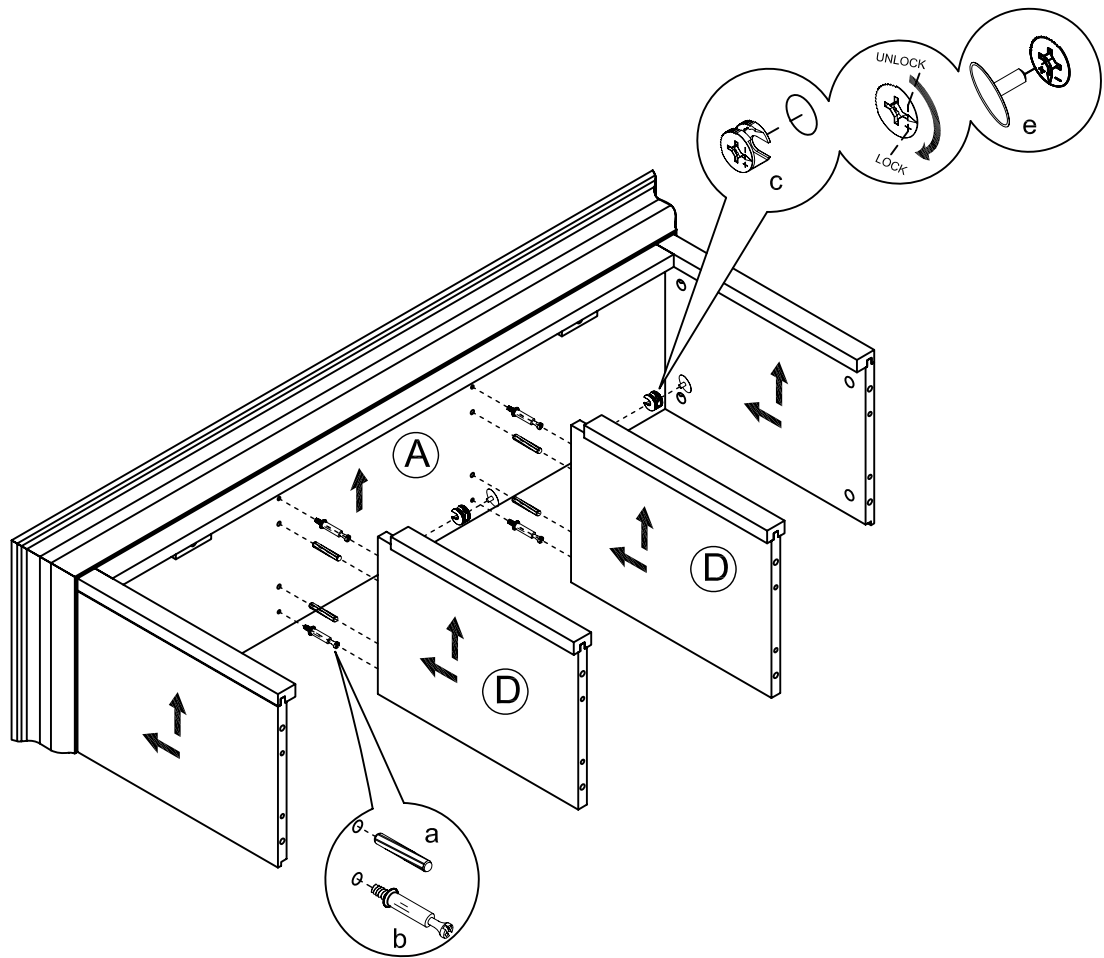
- INSTALL THE WOOD DOWEL (a) AND THE CAM LOCK BOLT (b) INTO THE BOTTOM OF THE BOTTOM FIXED PANEL (H).
- JOIN THE TWO ASSEMBLED PARTS BY USING THE WOOD DOWEL (a) FIRST.
- TIGHTEN CAM LOCK BOLT (b) WITH THE CAM LOCK (c) IN THE PRE-DRILLED HOLES.
- TIGHTEN THE MIDDLE CROSS BAR (N) BY USING THE 1-1/2" L FLAT HEAD SCREW (k) THROUGH THE PRE-DRILLED HOLES ON THE MIDDLE CROSS BAR (N) AS SHOWN.

FIG 9



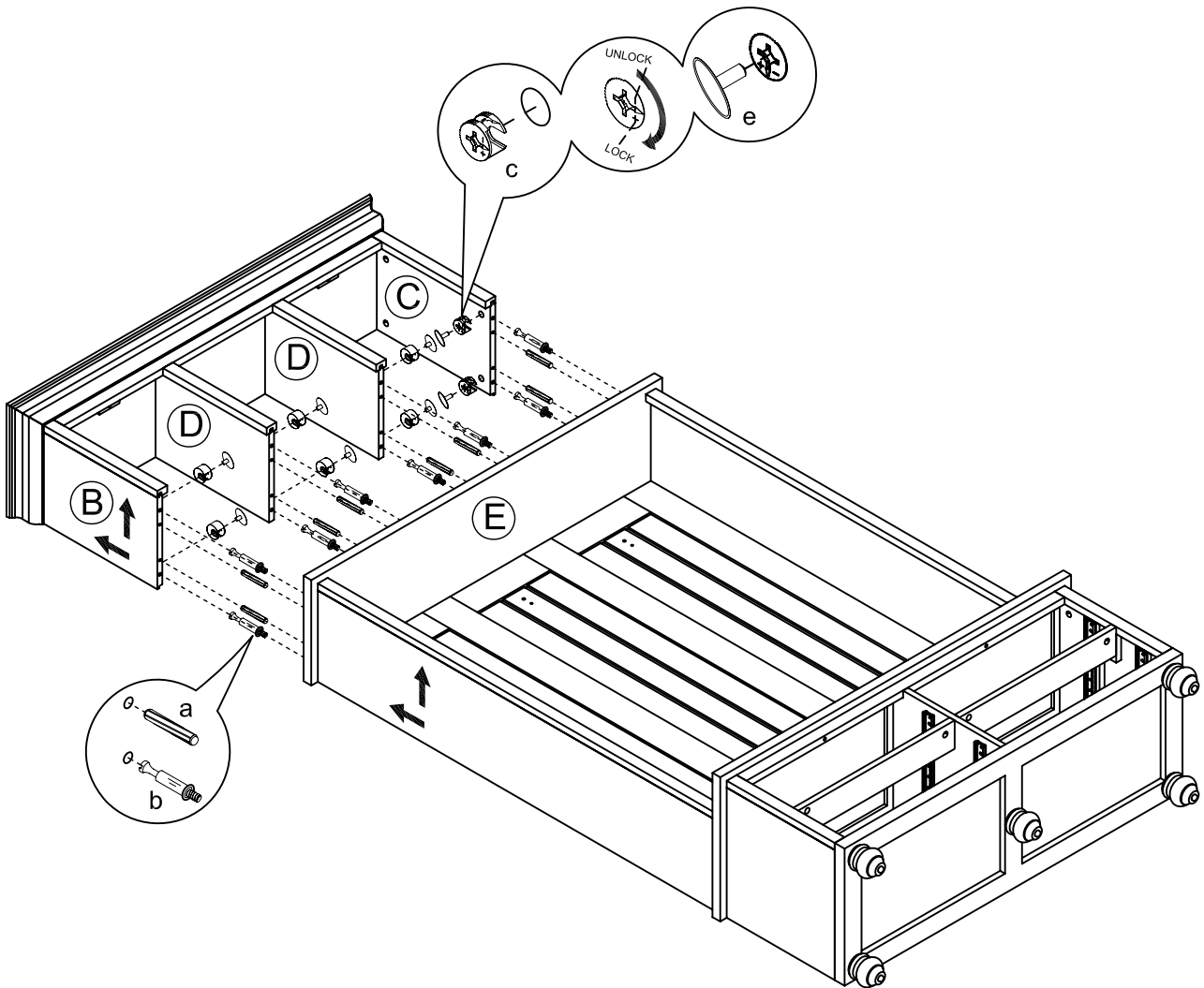
- INSTALL THE WOOD DOWEL (a) INTO THE TOP CROSS BAR (M).
- JOIN THE TOP LEFT SIDE PANEL (B) AND THE TOP RIGHT SIDE PANEL (C) TO THE TOP CROSS BAR (M) BY USING THE WOOD DOWEL (a).
- INSTALL THE WOOD DOWEL (a) AND THE CAM LOCK BOLT (b) INTO THE BOTTOM OF THE TOP PANEL (A).
- JOIN THE TOP PANEL (A) TO THE ASSEMBLED PART BY USING THE WOOD DOWEL (a) FIRST.
- TIGHTEN CAM LOCK BOLT (b) WITH THE CAM LOCK (c) IN THE PRE-DRILLED HOLES.
- COVER CAM HOLES WITH THE LONG PLASTIC COVER (e).
- TIGHTEN THE TOP CROSS BAR (M) BY USING THE 1" L FLAT HEAD SCREW (l) THROUGH THE PRE-DRILLED HOLES ON THE TOP CROSS BAR (M) AS SHOWN.

FIG 10



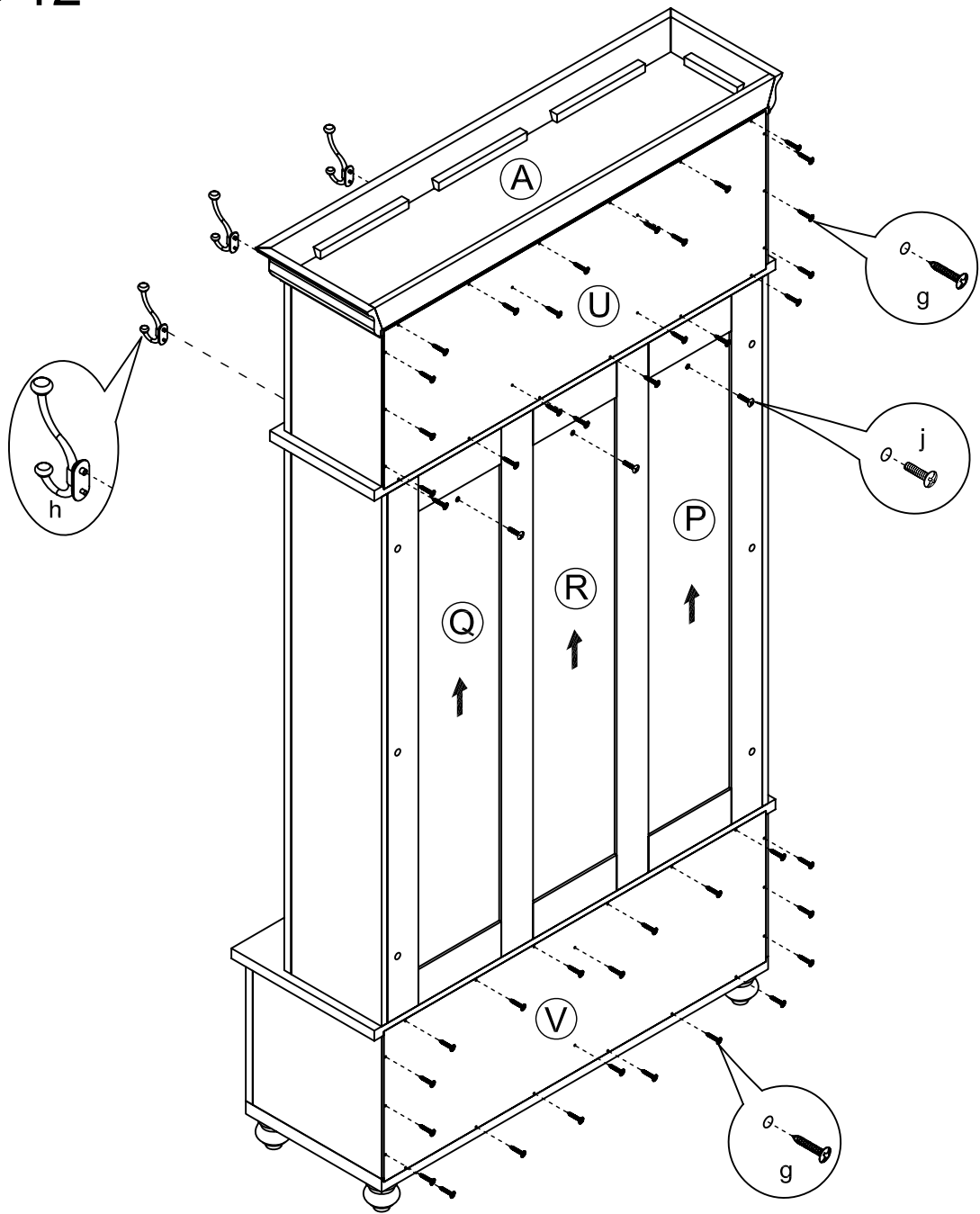
- INSTALL THE WOOD DOWEL (a) AND THE CAM LOCK BOLT (b) INTO THE BOTTOM OF THE TOP PANEL (A).
- JOIN THE TOP PARTITION (D) TO THE ASSEMBLED PART BY USING THE WOOD DOWEL (a) FIRST.
- TIGHTEN CAM LOCK BOLT (b) WITH THE CAM LOCK (c) IN THE PRE-DRILLED HOLES.
- COVER CAM HOLES WITH THE LONG PLASTIC COVER (e).

FIG 11



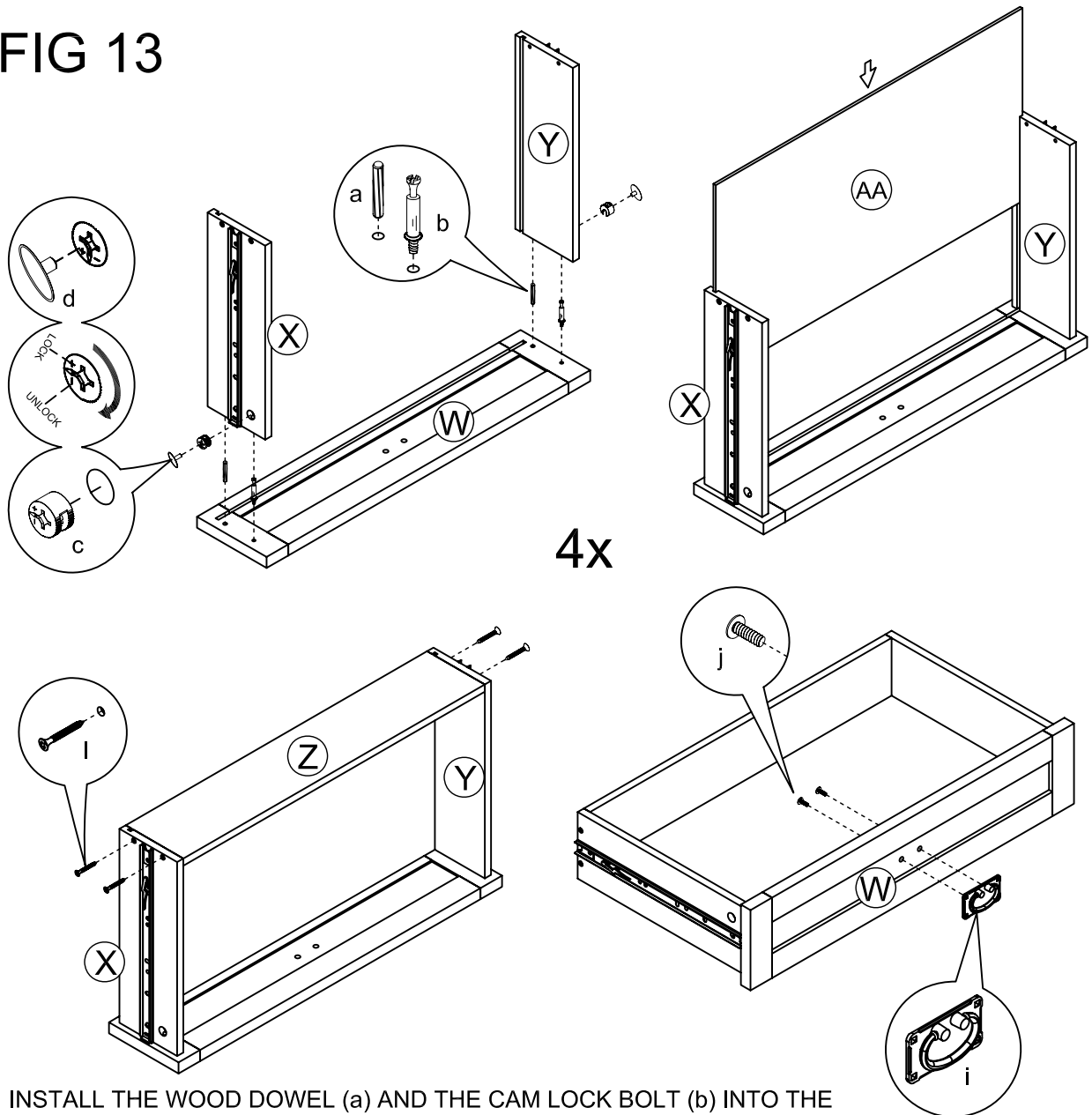
- INSTALL THE WOOD DOWEL (a) AND THE CAM LOCK BOLT (b) INTO THE TOP OF THE TOP FIXED PANEL (E).
- JOIN THE TWO ASSEMBLED PARTS BY USING THE WOOD DOWEL (a) FIRST.
- TIGHTEN CAM LOCK BOLT (b) WITH THE CAM LOCK (c) IN THE PRE-DRILLED HOLES.
- COVER CAM HOLES WITH THE LONG PLASTIC COVER (e).

FIG 12



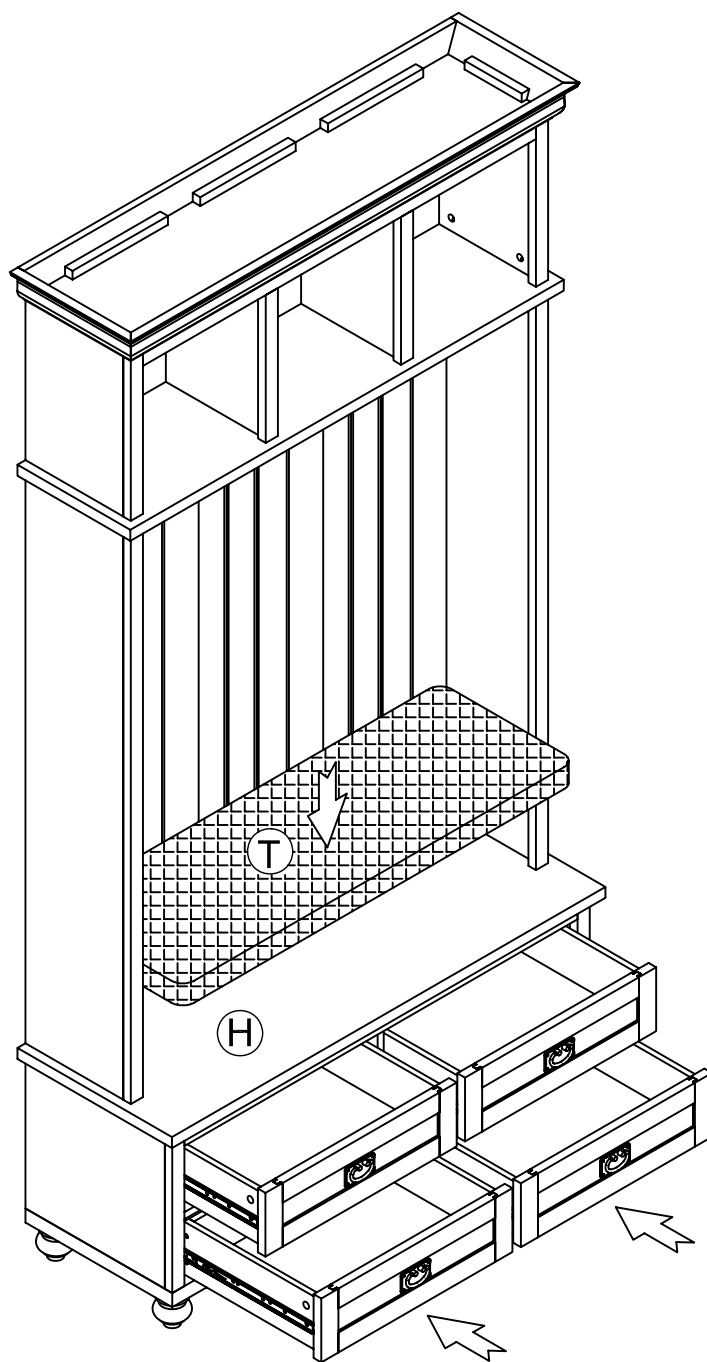
- TIGHTEN THE TOP BACK PANEL (U) AND THE BOTTOM BACK PANEL (V) BY USING THE 5/8" L ROUND HEAD SCREW (g) AS SHOWN.
- ATTACH THE POTHOOK (h) TO THE LEFT SIDE PANEL (P), THE MIDDLE BACK PANEL (R) AND RIGHT SIDE BACK PANEL (Q) BY USING THE Ø5/32" * 10mm BOLT (j) AS SHOWN.

FIG 13



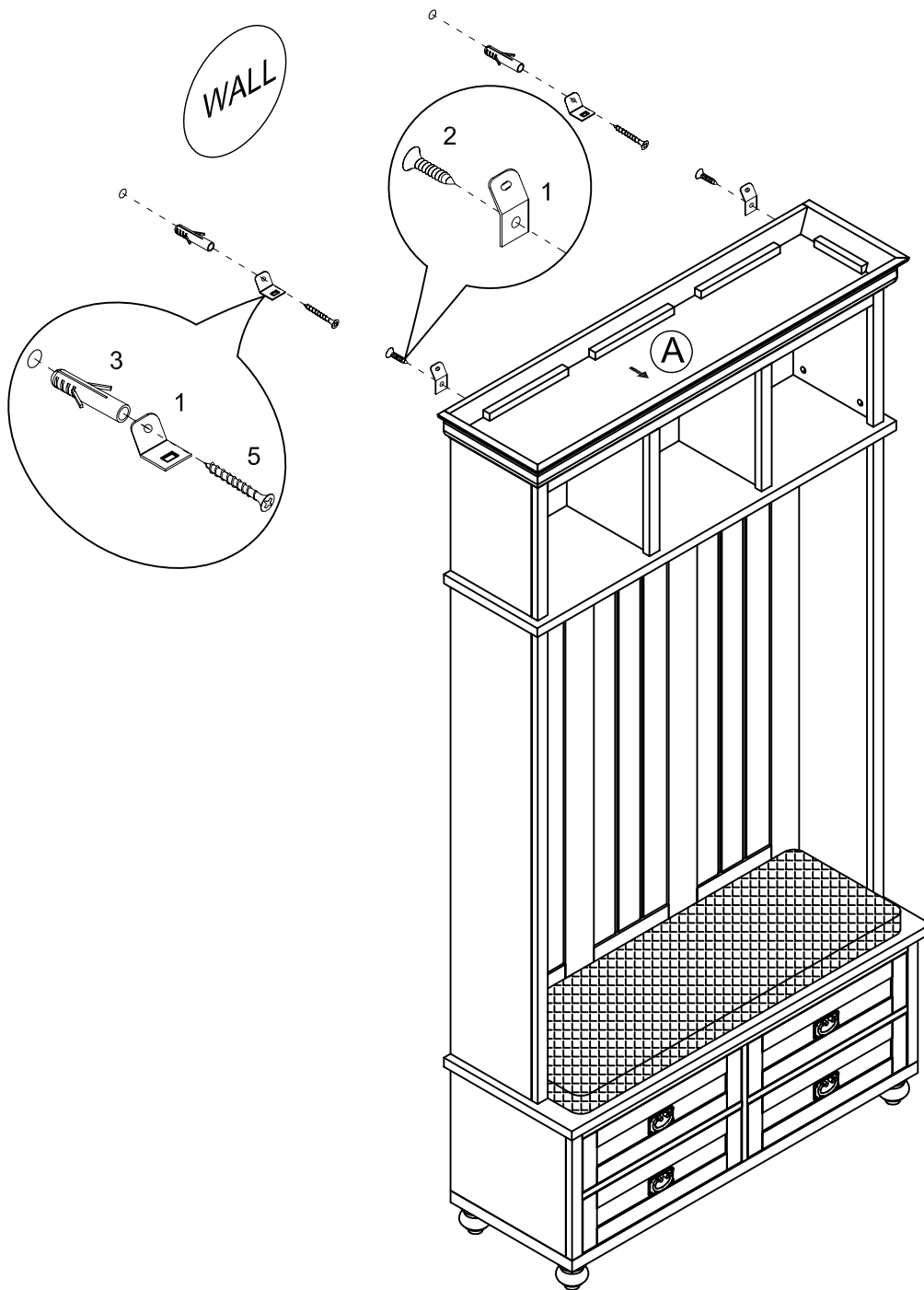
- INSTALL THE WOOD DOWEL (a) AND THE CAM LOCK BOLT (b) INTO THE DRAWER FRONT PANEL (W).
- JOIN THE DRAWER LEFT SIDE PANEL (X) AND THE DRAWER RIGHT SIDE PANEL (Y) TO THE DRAWER FRONT PANEL (W).
- ONCE JOINED, TIGHTEN CAM LOCK BOLT (b) WITH THE CAM LOCK (c) IN THE PRE-DRILLED HOLES.
- COVER CAM HOLES WITH THE SHORT PLASTIC COVER (d).
- SLIDE THE DRAWER BOTTOM PANEL (AA) INTO THE GROOVES ON THE DRAWER LEFT SIDE PANEL (X) AND THE DRAWER RIGHT SIDE PANEL (Y).
- JOIN THE DRAWER BACK PANEL (Z) TO THE ASSEMBLED DRAWER PART AND TIGHTEN THE DRAWER BACK PANEL (Z) BY USING THE 1" L FLAT HEAD SCREW (I) THROUGH PRE-DRILLED HOLES ON DRAWER SIDE PANELS.
- TIGHTEN THE DRAWER HANDLE (i) TO THE DRAWER FRONT PANEL (W) BY USING THE Ø5/32" * 10mm BOLT (j).

FIG 14



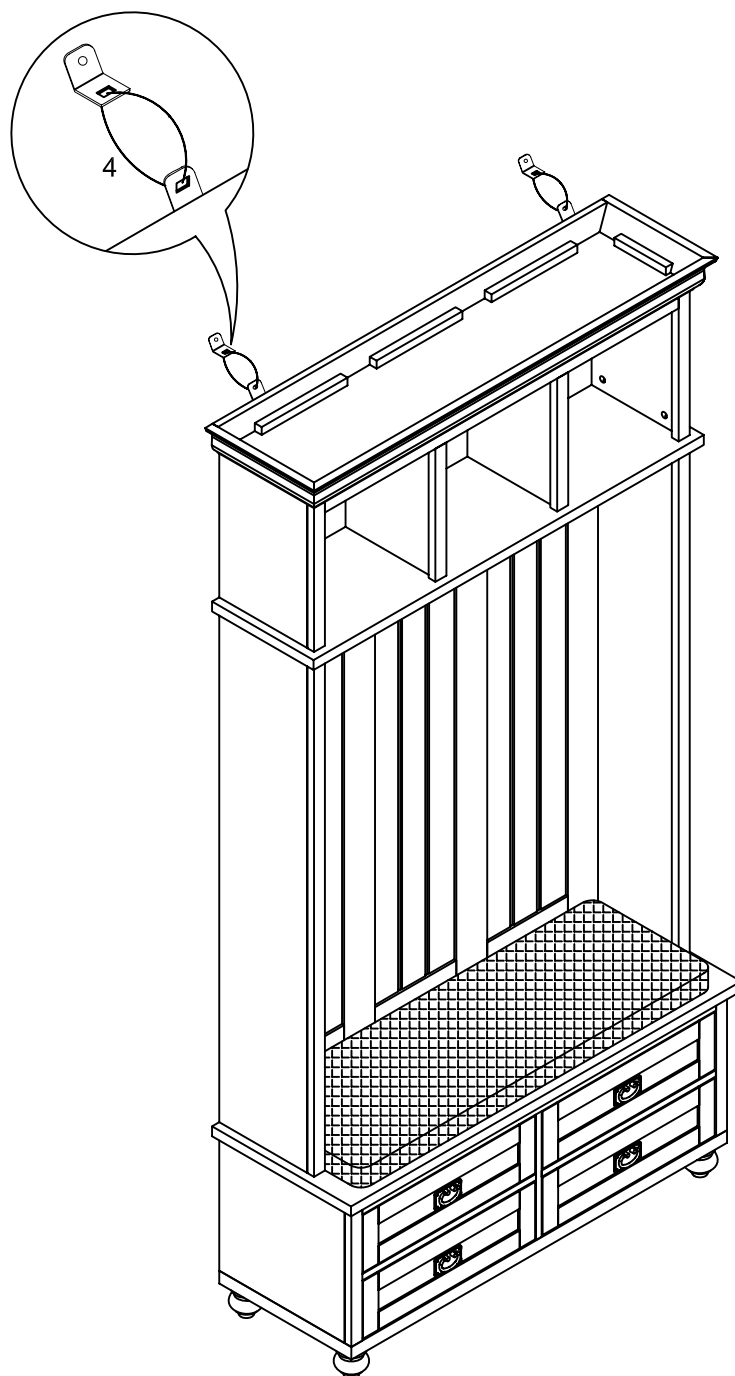
- INSERT DRAWERS INTO THE ASSEMBLED PART.
- PLACE THE CUSHION (T) ABOVE THE BOTTOM FIXED PANEL (H).

FIG 15



- TIGHTEN THE RECTANGLE METAL PLATE (1) TO THE REAR OF THE TOP PANEL (A) BY USING 1/2" FLAT HEAD SCREW (2).
- PLACE THE ASSEMBLED VERNON STORAGE LOCKER AT THE DESIRED POSITION. MARK THE INSERTION POINTS FOR THE PLASTIC ANCHOR (3).
- USING THE PROPER HARDWARE FOR YOUR WALL TYPE, DRILL 1/4" HOLES INTO THE WALL.
- TIGHTEN THE RECTANGLE METAL PLATE (1) TO THE PLASTIC ANCHOR (3) BY USING THE 1-1/2" FLAT HEAD SCREW (5).

FIG 16



- USING THE PLASTIC BAND (4) CONNECT TWO RECTANGLE METAL PLATES (1).