

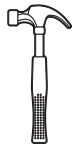


ITEM #502-689, 502-784, 1001-632-853  
MODEL #ECOBRD BRN 4FT, ECOBRD RED 4FT, ECOBRD BLK 4FT

# Use and Care Guide

## 4 ft. EcoBorder No-Dig Edging

### TOOLS REQUIRED



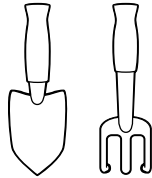
Hammer



Safety goggles



Gloves



Garden tools  
such as a rake or  
trowel

### HARDWARE INCLUDED



AA - 8 in. Stake x4

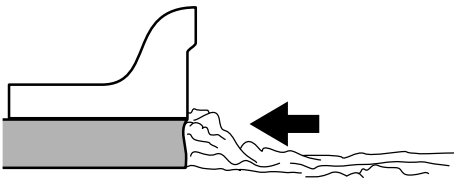


BB - 3 in. Connector Rods x2

## Installation

### 1 Preparing the Area

- Rake the soil in the space where you are placing the edging to make it slightly higher than the flower bed as the ground will settle over time.

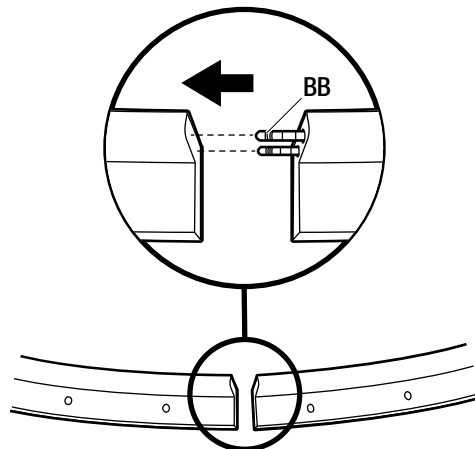


### 2 Placing the Edging and Connecting



**CAUTION:** Wear gloves when installing the product.

- Place the edging just inside the edge of the bed and flush to the lawn.
- Curve the edging around the flower bed as desired, ensuring you do not create bends in excess of 70°.
- To add additional edging sections, place the connector rods (BB) in the holes on the side by working the edging pieces backward and forward until the gaps are closed between the edging sections.

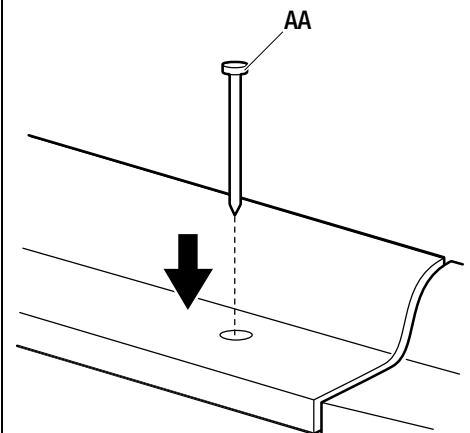


### 3 Staking and Plugging the Edging

- Once edging is in the desired position, install stakes (AA) near where edging is connected together.
- After stakes (AA) are installed near the connections, install the remainder of the stakes (AA) where desired.
- Use a hammer to tap down the stakes (AA) until the top of the stakes are flush with the edging.



**WARNING:** Wear safety goggles when using the hammer to tap down the stakes.



### 4 Cutting the Edging (if needed)



**WARNING:** Wear safety goggles when cutting the edging or connector rods.

- If a section smaller than 4 ft. is needed, you can cut the edging using a handsaw, hacksaw, or an electrical saw. For a more accurate cut, use a miter box.
- If using an electric saw, spray the blade lightly with a lubricant as this will ease the cutting process.
- If the connector holes need to be deepened or adjusted for any reason, use a 3/16 in. drill bit to drill 1.5 in. deep holes.

## Safety Information

- This edging was made for the explicit purpose of providing outdoor functions and is not to be used as a toy. This product is intended for normal outdoor use. Do not locate this product near open flames.



**WARNING:** Wear gloves when installing the edging.



**WARNING:** Wear safety goggles when using the hammer to tap down the stakes.



**CAUTION:** Do not bend edging over 70 degrees or breakage will occur.

## Care and Cleaning

- This edging is very durable. It can be washed with a power washer on a low setting or wiped with a soft cloth and mild detergents. Do not use sharp objects or abrasive cleaners.

## Warranty

### WHAT IS COVERED

We warrant this product to be free of manufacturing defects and workmanship to the original purchaser for one year.

### WHAT IS NOT COVERED

It remains the customer's responsibility for freight and packaging charges to and from our service center. This warranty does not cover damages that result from improper installation, misuse, abuse, acts of nature, fire, accident or for not following the instructions contained in this manual such as bending the product beyond the 70° limit. In addition, purchased parts are not covered under this warranty. We reserve the right to make substitutions with similar merchandise if the model in question is no longer in production.

Contact the Customer Service Team at 1-877-527-0313 or visit [www.HomeDepot.com](http://www.HomeDepot.com).