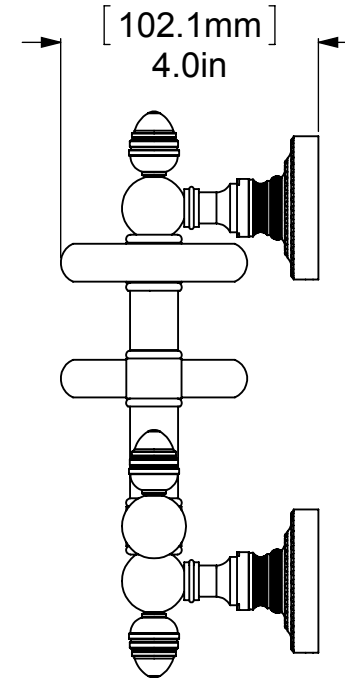
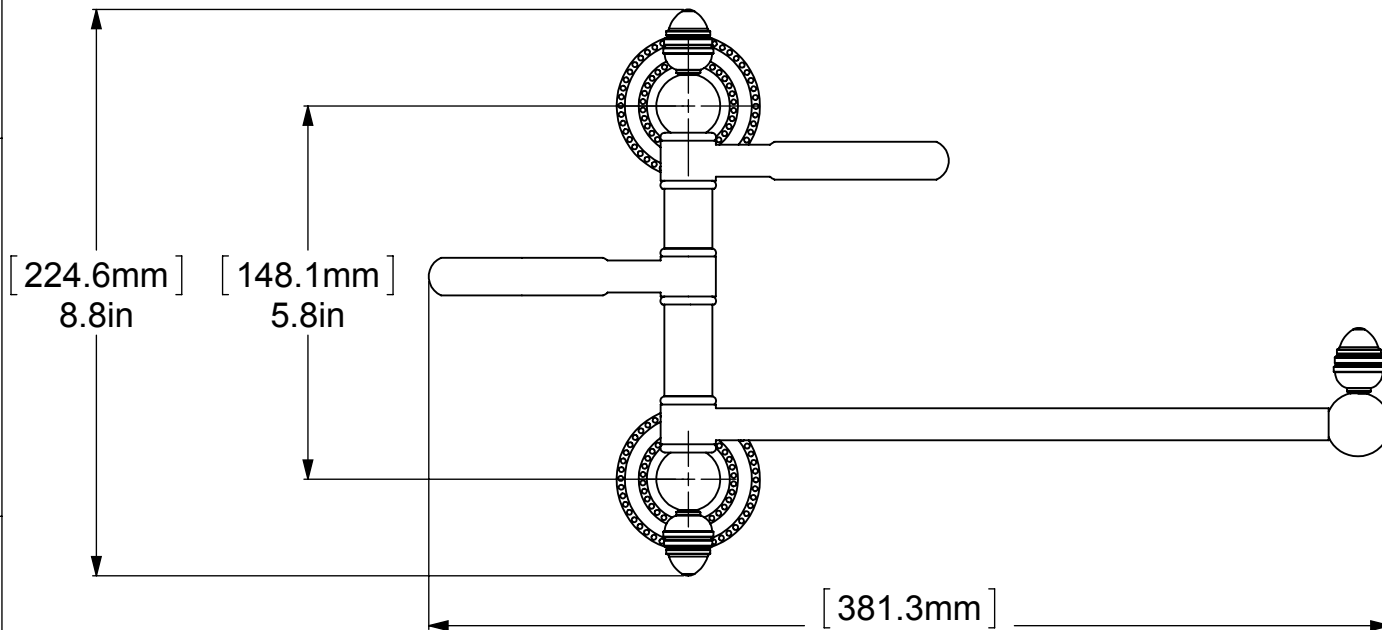


ITEM NO.	P/N	Description	QTY.
1	BPDT	BACKPLATE	2
2	NKSL-58	SUPPORT	2
3	NKSL-78	NECK	2
4	mr-tilt-fitt	TILT	3
5	CRRD-34	CHECK RING	6
6	TU34-1.5	TUBE	2
7	TU12-10	TUBE	1
8	BL1T-1	HUB	1
9	KBGT-1	PEG	3
10	BL2T-1	HUB	2
11	TU12-1	TUBE	2
12	HRRD	RING	2



UNLESS OTHERWISE STATED

.X	$\pm .3\text{mm}$
.XX	$\pm .15\text{mm}$
.XXX	$\pm .008\text{mm}$

COPYRIGHT © Allied Brass 2016



DRAWN	8/5/2016	I.M
CHECKED	8/5/2016	P.D
APPROVED	8/5/2016	R.A

MATERIAL:	BRASS		FINISH	TBD
DESCRIPTION:	HAIR DRYER HOLDER		QUANTITY	TBD
		DRAWING No.		REV
		DT-GTBD-1		0
SCALE	1:3	SHEET: 01	A4	