

# Freestanding Range

FGEF4085TS

40" Electric



## Product Dimensions

Height (Max.)	49"
Width	40"
Depth (Including Handle)	28-1/2"

## More Easy-To-Use Features

### Built with American Pride

Designed, engineered and assembled in the U.S.A.

### Add-A-Minute

Easily add a minute to the oven timer in the middle of a cycle without resetting.

### Delay Start

Set your oven to begin cooking on your schedule. It can be programmed from one to 24 hours.

Sabbath Mode (Star-K® Certified)

### Available in:



Stainless  
(S)

## Signature Features



### True Convection

A third heating element and single convection fan circulate hot air throughout the oven for faster and more even multi-rack baking.



### Quick Clean

Quickly clean your oven in 2 hours with our quick self-clean cycle.



### Fits-More™ Oven

A unique rack configuration creates more cooking space.

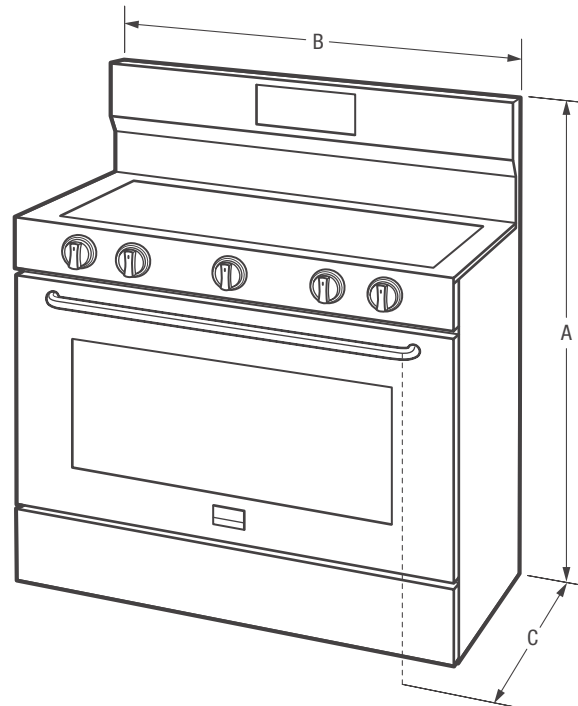


### One-Touch Keep Warm Setting

Just one touch of a button keeps food warm until everything — and everyone — is ready.

Elements	Size	Watts
Right Front	SpaceWise® Expandable 6" / 9" / 12"	1,200 / 2,000 / 3,000
Right Rear	6"	1,200
Left Front	7" / Bridge	1,800 / 2,600
Left Rear	7"	1,800
Center	Keep Warm Zone	100

Features	
Oven Control/Timing System	Express-Select® Controls
Surface Type	Black Ceramic Glass
Window	Large
Exterior Door Finish	Stainless Steel
Handle Design	Stainless Steel
Exterior Finish (Side Panels)	Black
Convection System	True Convection
Oven Cleaning System	Self Clean
Drawer Functionality	
Oven Controls	
Bake/Broil	Yes/Variable (400-550°F)
Effortless™ Convection Conversion	Yes
Convection Bake/Broil/Roast	Yes/No/Yes
Quick Preheat	Yes
Effortless™ Temperature Probe	Yes
Keep Warm	Yes
Add-a-Minute	Yes
Delay Start	Yes
Self Clean	2, 3, 4 Hours
Quick Clean	Yes
Delay Clean	Yes
Kitchen Timer / Timed Cook Option	Yes/Yes
Auto Oven Shut-Off	6 Hours
Oven Lock-Out	Yes
Cooktop Features	
Right Front Element (Watts)	SpaceWise® Expandable 6" / 9" / 12" - 1,200 / 2,000 / 3,000
Right Rear Element (Watts)	6" - 1,200
Left Front Element (Watts)	7" / Bridge - 1,800 / 2,600
Left Rear Element (Watts)	7" - 1,800
Center Element (Watts)	Keep Warm Zone - 100
Oven Features	
Capacity (Cu. Ft.)	6.4
Oven Light	2 Halogen
Hidden Bake Element	Yes
Rack Configuration	3 Heavy Duty
Baking System	Even Baking Technology
Broiling System	Vari-Broil™
Bake/Broil Elements (Watts)	3,000 / 4,000
Certifications	
Sabbath Mode (Star-K® Cert.)	Yes
Specifications	
Oven Interior (H x W x D)	18-5/8" x 30-1/8" x 19-1/2"
Power Supply Connection Location	Middle Bottom Rear
Voltage Rating	240V / 208V / 60Hz
Connected Load (kW Rating) @ 240 / 208 Volts	13 / 9.8
Amps @ 240 / 208 Volts	54.2 / 47.1
Minimum Circuit Required (Amps)	40
Shipping Weight (Approx.)	370 Lbs.



NOTE: For planning purposes only. Always consult local and national electric codes. Refer to Product Installation Guide for detailed installation instructions on the web at [frigidaire.com](http://frigidaire.com).



Product Dimensions	
A - Height (Max.)	49"
B - Width	40"
C - Depth (Including Handle)	28-1/2"
Depth with Door Open 90°	47-3/4"

Cabinet Cutout Dimensions	
Height (Standard)	36"
Width (Min.)	40-1/4"
Depth (Min.)	24"

Accessories information available on the web at [frigidaire.com](http://frigidaire.com)

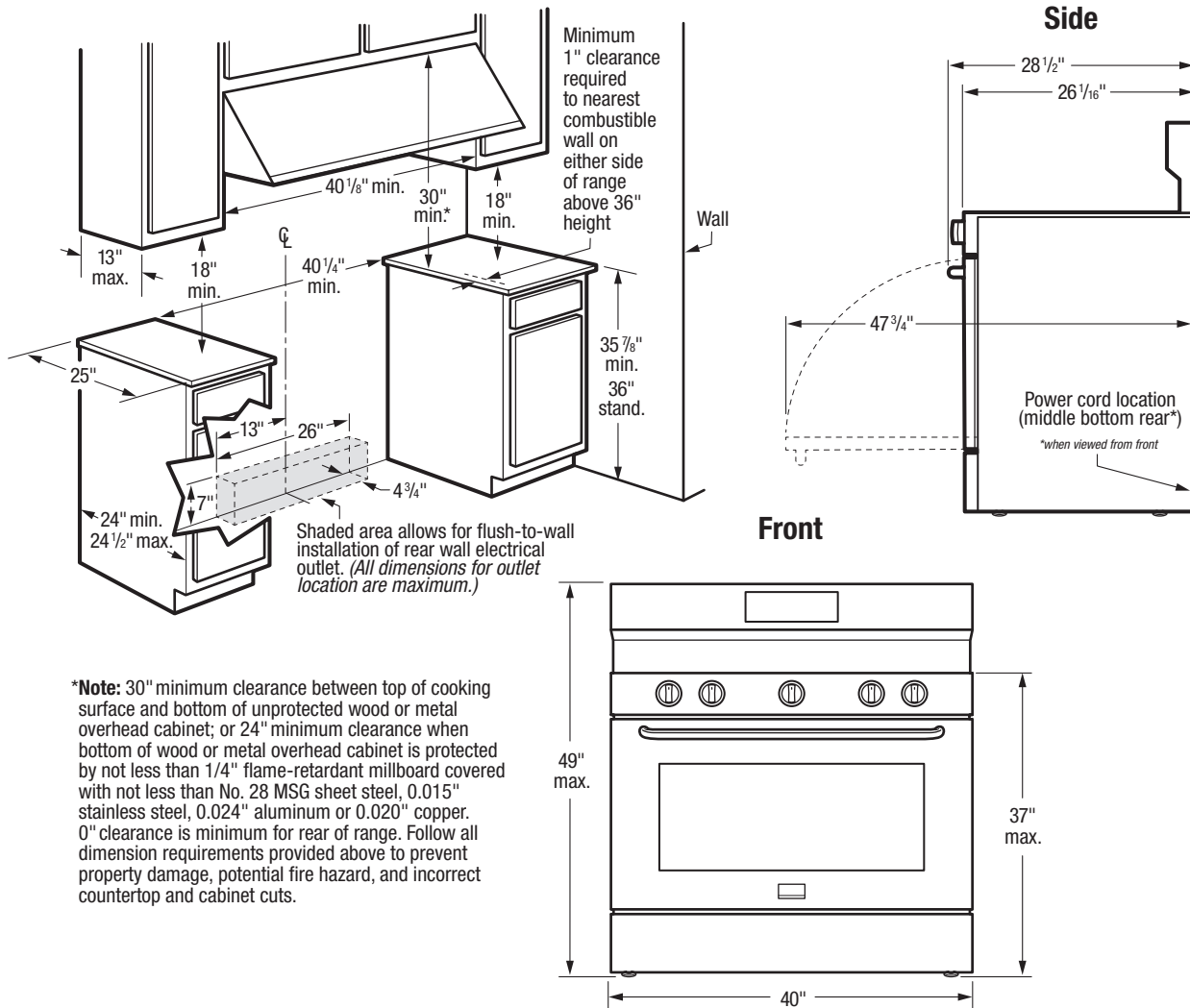
**FRIGIDAIRE**

USA • 10200 David Taylor Drive • Charlotte, NC 28262 • 1-800-FRIGIDAIRE • [frigidaire.com](http://frigidaire.com)  
CANADA • 5855 Terry Fox Way • Mississauga, ON L5V 3E4 • 1-800-265-8352 • [frigidaire.ca](http://frigidaire.ca)

FGEF4085T 01/17

© 2017 Electrolux Home Products, Inc.

Specifications subject to change.



**\*Note:** 30" minimum clearance between top of cooking surface and bottom of unprotected wood or metal overhead cabinet; or 24" minimum clearance when bottom of wood or metal overhead cabinet is protected by not less than 1/4" flame-retardant millboard covered with not less than No. 28 MSG sheet steel, 0.015" stainless steel, 0.024" aluminum or 0.020" copper. 0" clearance is minimum for rear of range. Follow all dimension requirements provided above to prevent property damage, potential fire hazard, and incorrect countertop and cabinet cuts.

**Freestanding Range Specifications**

- Product Shipping Weight (approx.) - 370 Lbs.
- Single phase 4-wire cable, 120/240 or 120/208 Volt, 60 Hertz, fused on both sides of line with ground.
- Connected Load (kW Rating) @ 240/208 Volts = 13/9.8kW
- Amps @ 240/208 Volts = 54.2/47.1 Amps
- Recommended Circuit Breaker - 50 Amps (40 Amps minimum)
- Always consult local and national electric codes.
- Make sure wall coverings around range can withstand heat generated by range.
- Floor beneath range MUST be solid and level.
- Overhead cabinetry should not exceed a 13" maximum depth.
- Linoleum or any other synthetic floor covering located beneath range, must be capable of withstanding minimum heat of 90°F above room temperature without shrinking, warping or discoloring. Insulating pad or 1/4"-thick plywood required between range and a carpeted floor.
- Do not obstruct flow of combustion air at oven vent nor around base or beneath lower front panel of range. Range requires fresh air for proper operation.

- Absolute minimum horizontal distance between overhead cabinets installed to either side of appliance must be no less than 40-1/8".
- Range can be installed flush to wall with 0" minimum rear clearance.
- 1" minimum clearance required from edge of rangetop to nearest combustible wall on either side of range above 36" height.
- Allow 30" minimum clearance between top of cooking surface and bottom of unprotected wood or metal overhead cabinet; or 24" minimum clearance when bottom of wood or metal overhead cabinet is protected by not less than 1/4" flame retardant millboard covered with not less than No. 28 MSG sheet steel, 0.015" stainless steel, 0.024" aluminum or 0.020" copper.
- To reduce risk of fire when using overhead cabinetry, install range hood that projects horizontally a recommended minimum of 5" beyond bottom of cabinets.
- Follow all dimension requirements provided to prevent property damage, potential fire hazard, and incorrect countertop and cabinet cuts.

**Note:** For planning purposes only. Refer to Product Installation Guide on the web at [frigidaire.com](http://frigidaire.com) for detailed instructions.



Specifications subject to change.