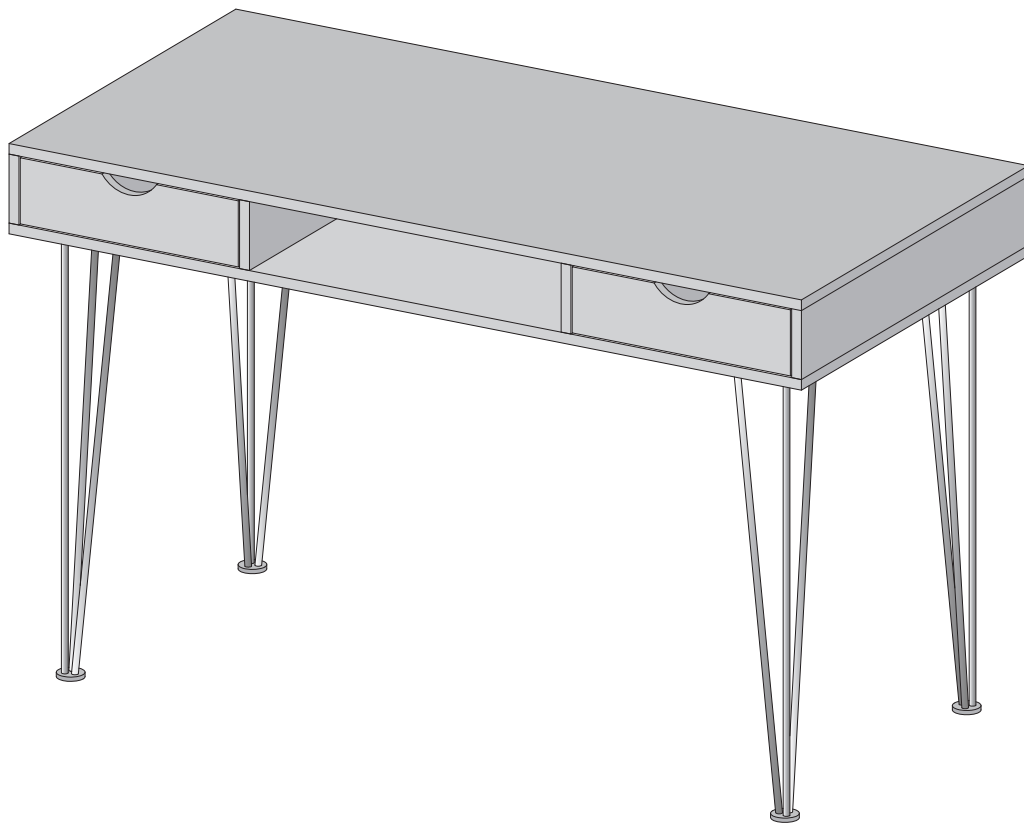


W Walker
E Edison
furniture company

Item # : D48CA1
Assembly Instructions

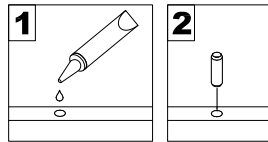


*To request missing, lost or broken parts, or for any other customer service issues,
please visit our website at www.walkeredison.com or call us at 877-207-5906.*

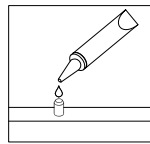
Revised 02/2016

General Assembly Guidelines

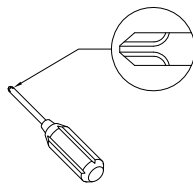
- I. Ensure that all parts and hardware are available before beginning assembly.
- II. Follow each step carefully to ensure the proper assembly of this product.
- III. Two people are recommended for ease in the assembly of this product.
- IV. The three main types of hardware used to assemble this product are : wood dowels , screws and bolts.
- V. The provided glue is to secure wood dowels in place . When first inserting dowels , locate the appropriate hole for the dowel , place a small amount of glue in the hole and insert the dowel . Wipe away excess glue immediately.



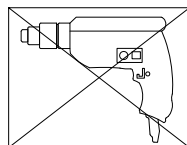
In future assembly steps when dowels are necessary to attach assembly parts together , place a small amount of glue on the end of the dowel before attaching parts together . Wipe away excess glue immediately.



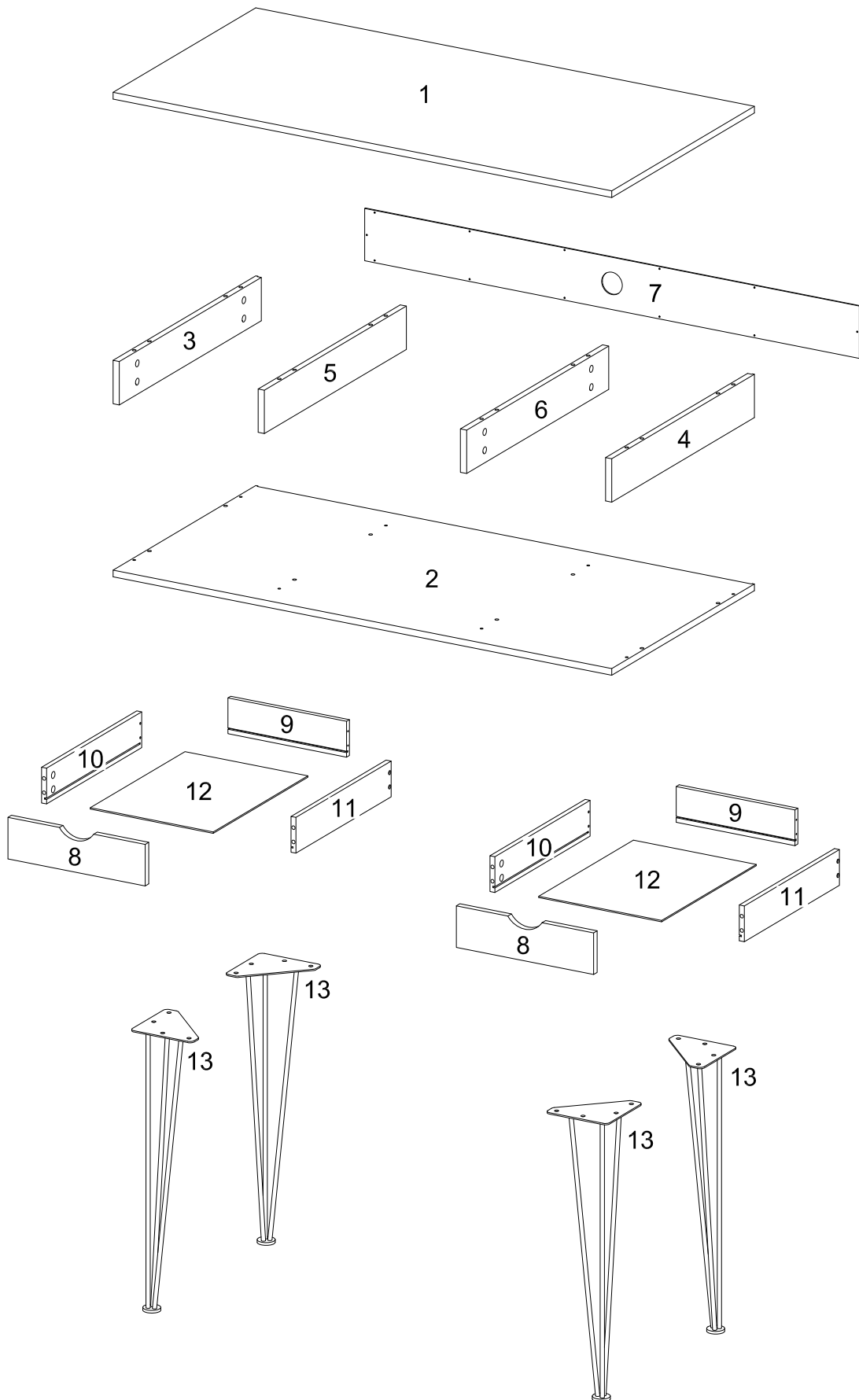
- VI. A Phillips head screwdriver is required for the assembly of this product .






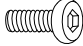


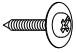
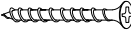

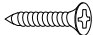



- VII. Power tools should not be used to assemble this product .

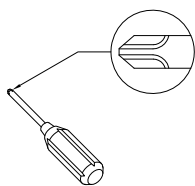


Parts List



Hardware List

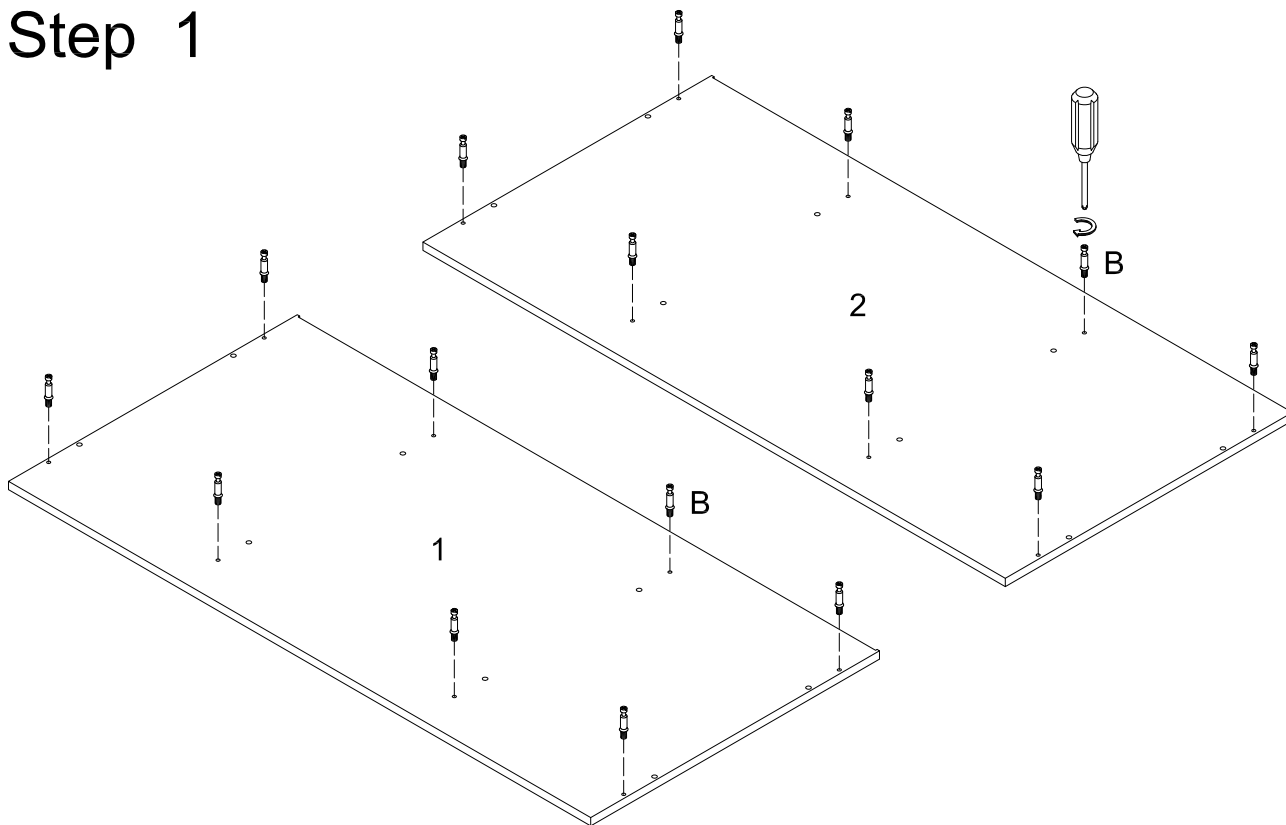
A		Ø8x30mm	Wooden dowel	16 pcs
B		Ø6x32mm	Cam bolt	24 pcs
C		Ø15x11mm	Cam lock	24 pcs
D		Ø6x15mm	Bolt	16 pcs
E		M6mm	Spring washer	16 pcs
F		M6x16mm	Washer	16 pcs
G		Ø2.5x12mm	Screw	14 pcs
H		Ø8x4x25mm	Screw	8 pcs
J		L16"x35mm	Drawer tray arm	2 sets
K		Ø3x10mm	Screw	24 pcs
L		M4mm	Wrench	1 pc
M			Sticker	8 pcs
N			Glue tube	1 pc



Philips head screwdriver required for assembly
(not included)

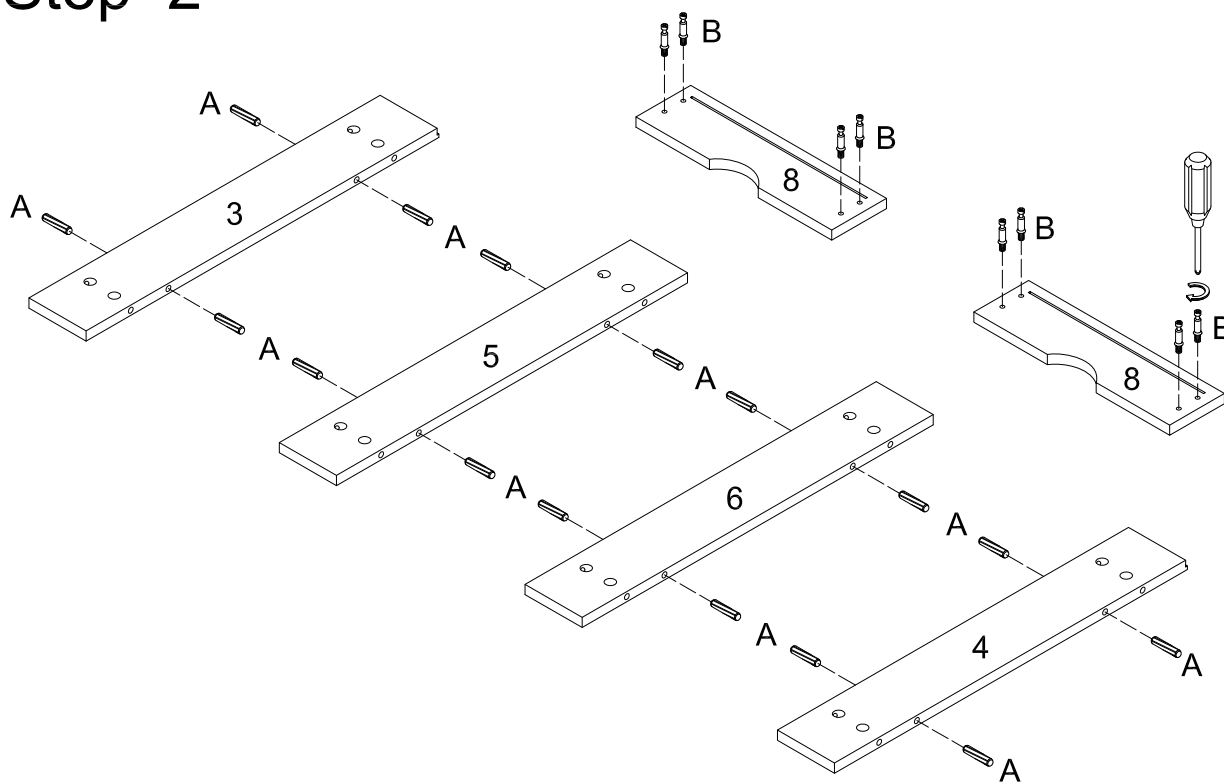
*The hardware quantities listed above are required for proper assembly.
Some extra hardware may also have been included.*

Step 1



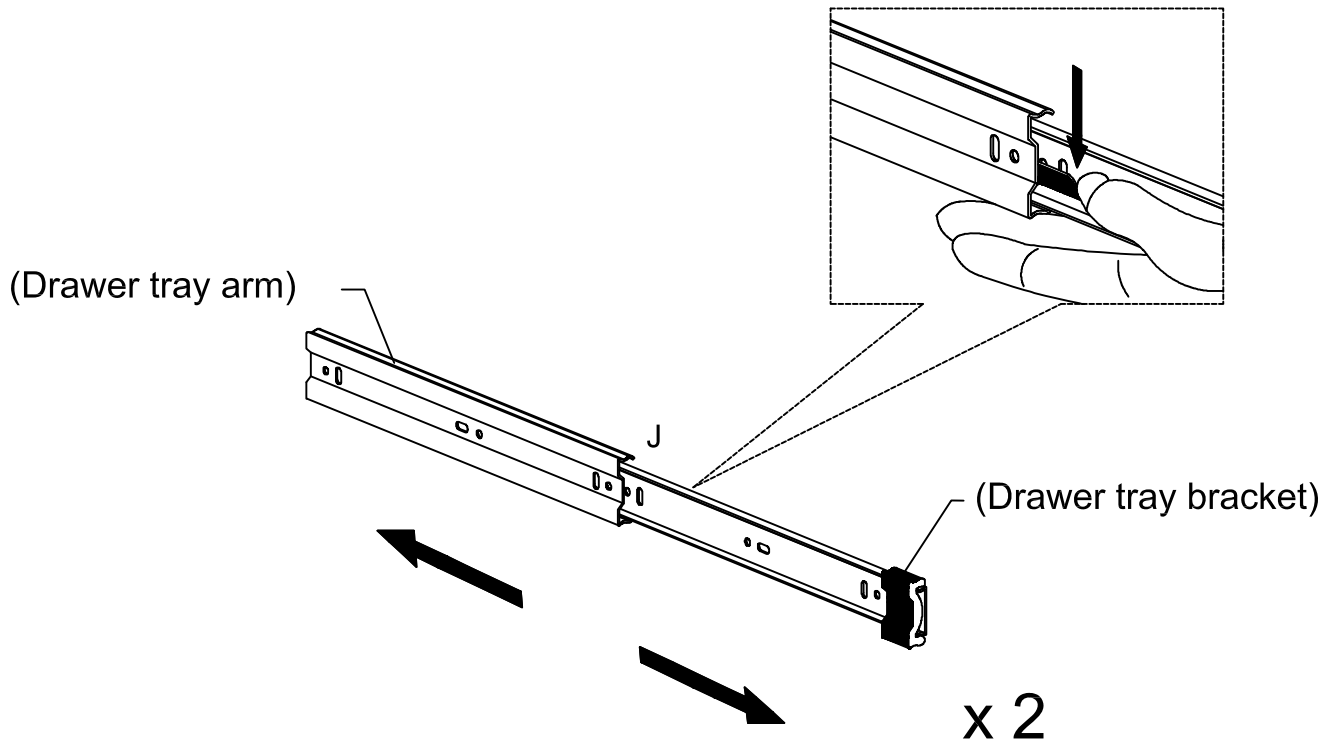
Insert the cam bolts (B) to the top (1) and bottom panel (2).

Step 2



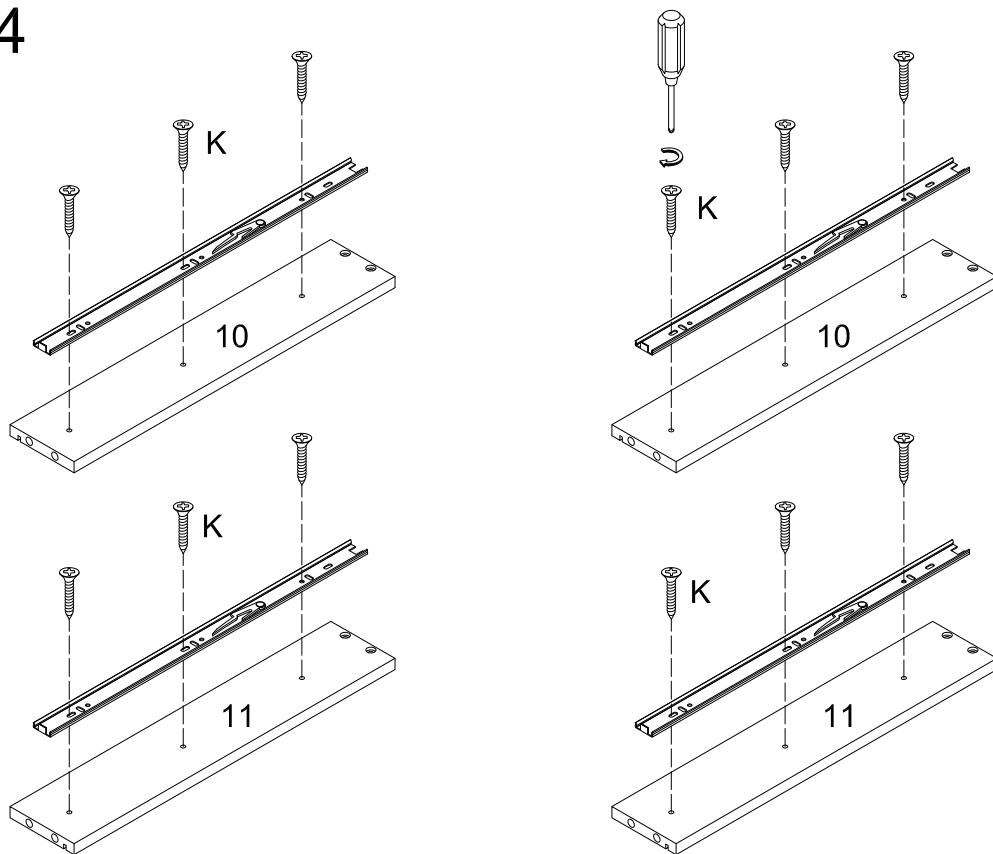
Insert the wooden dowel (A) to the side panel (3,4,5,6). Insert the cam bolts (B) to the drawer front panel (8).

Step 3



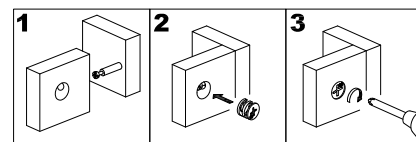
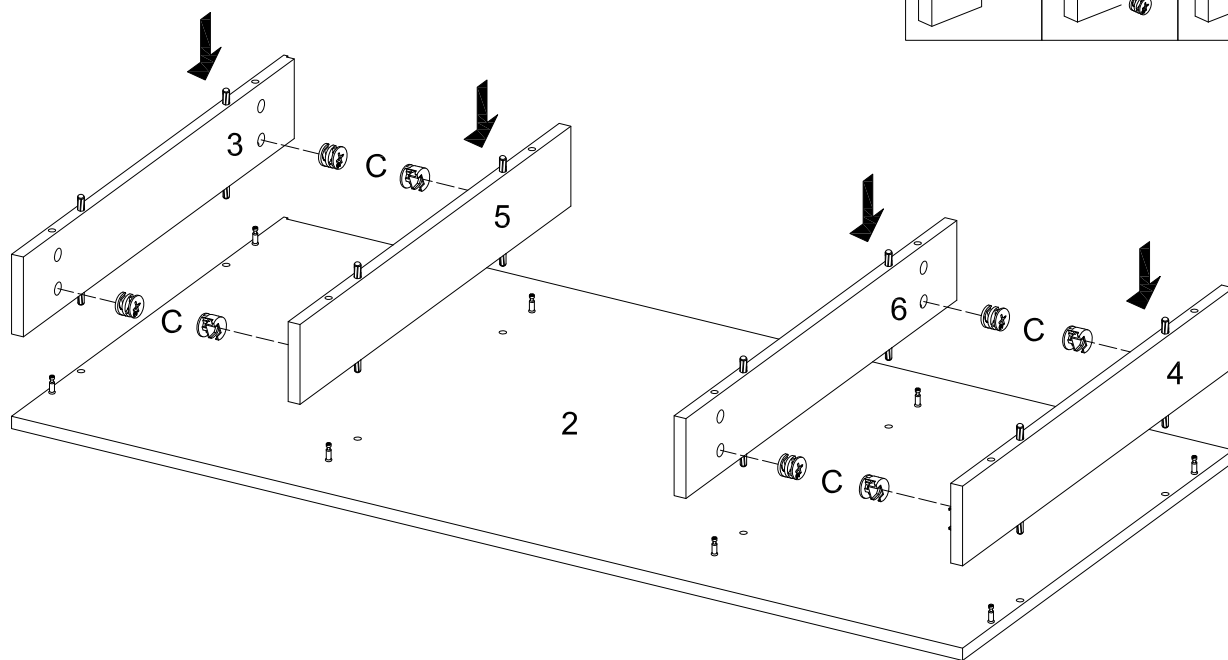
Released the drawer tray arms as per diagram.

Step 4



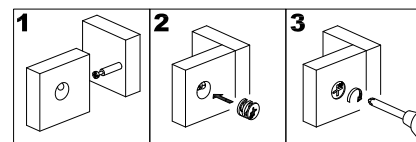
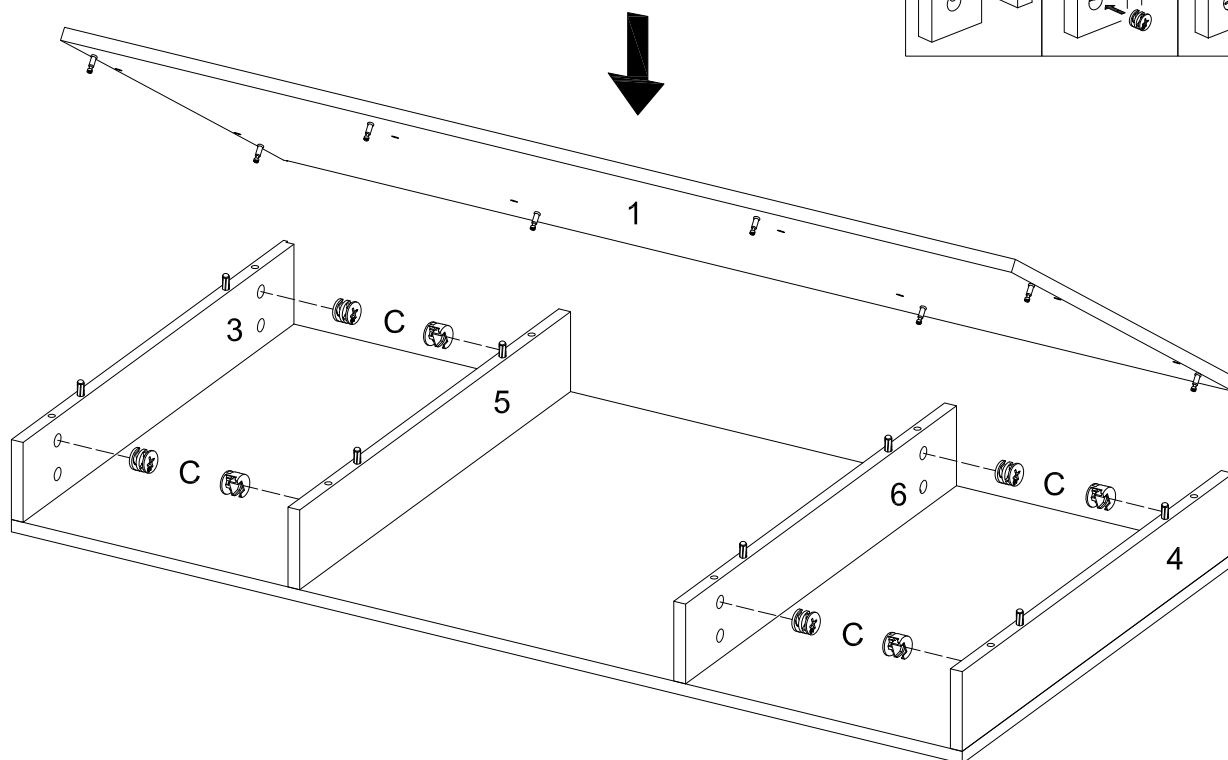
Assemble the drawer tray arms (K) to the drawers side panel (10,11).

Step 5



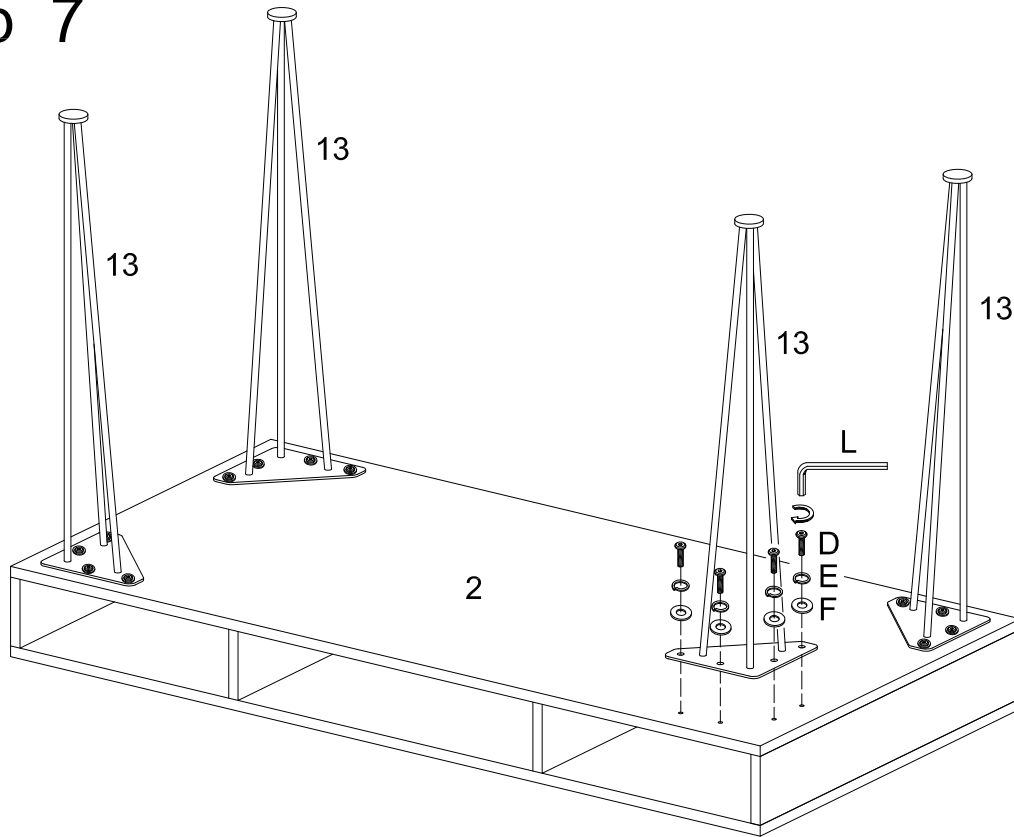
Assemble the side panel (3,4,5,6) to the bottom panel (2) and secure it with cam locks (C).

Step 6



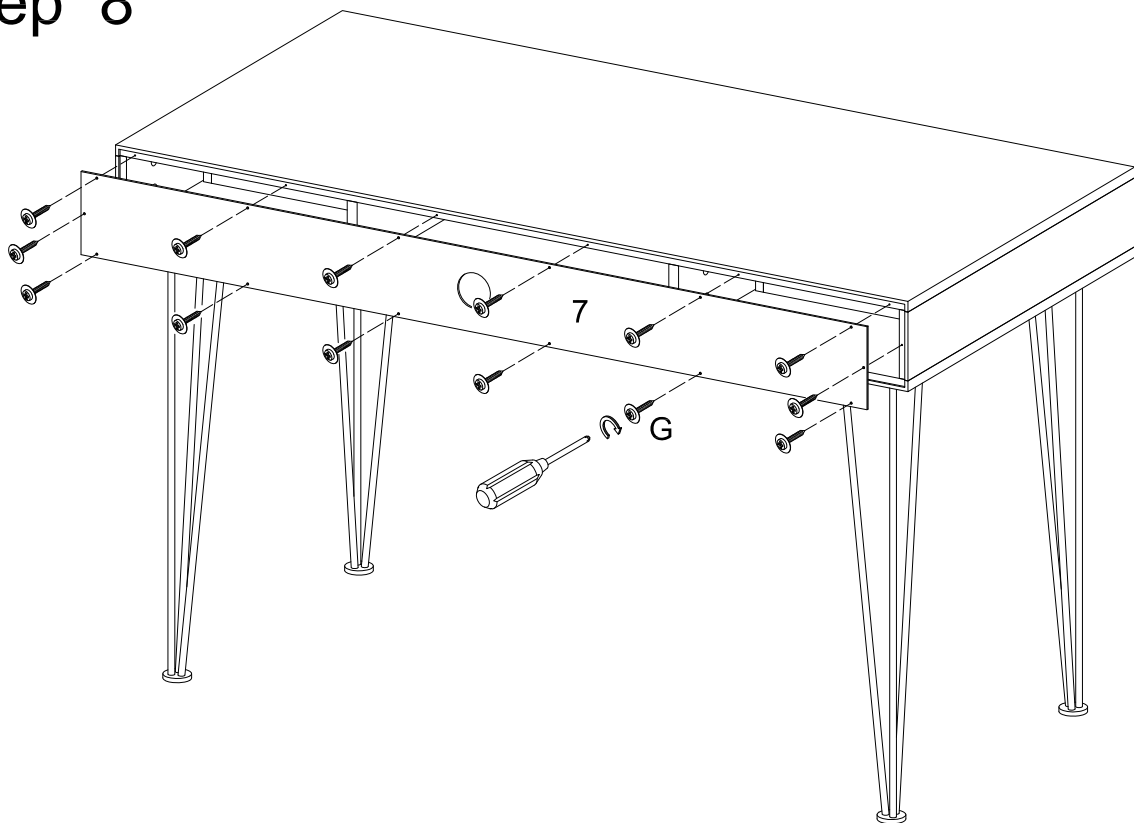
Place the top panel (1) on top of the side panels (3,4,5,6) and secure it with cam locks (C).

Step 7



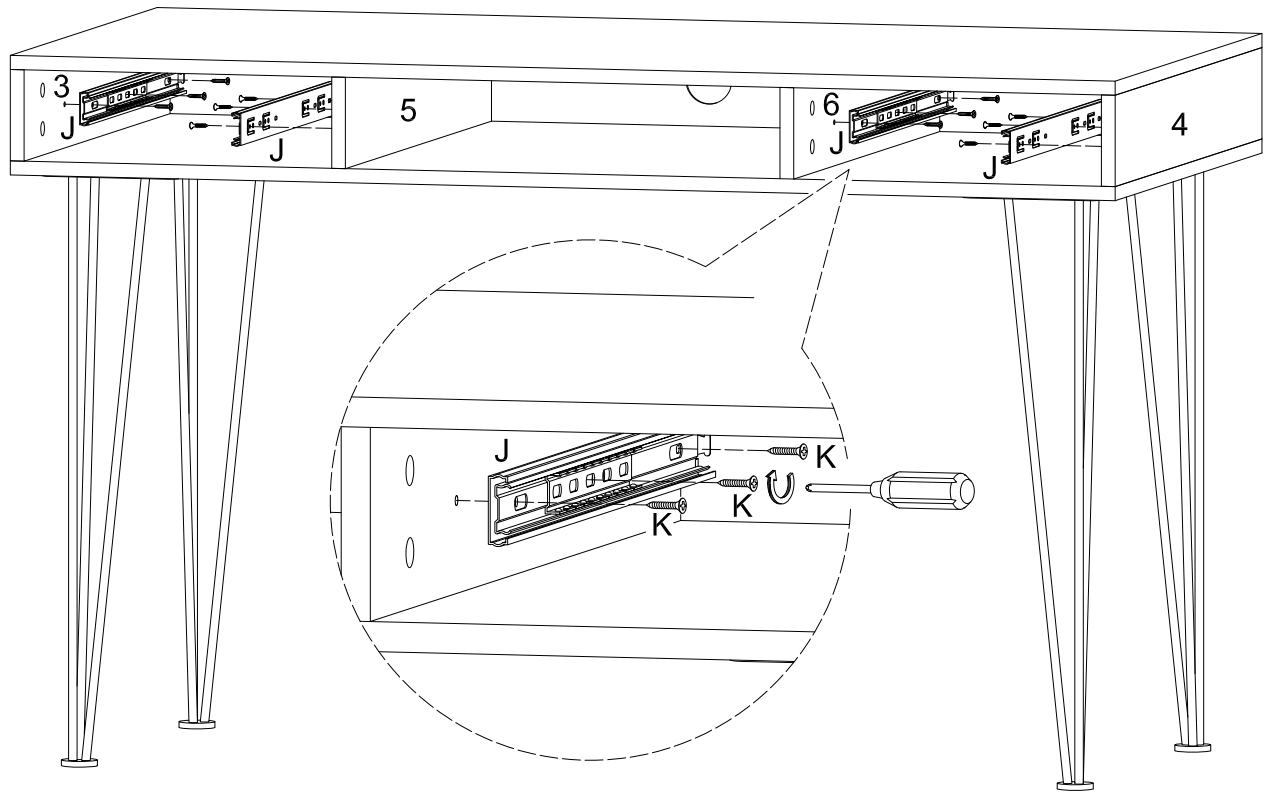
Attached the chrome legs (13) to the bottom panel (2) and secure it with washer (D), spring washer (E), bolts (D) and wrench (L).

Step 8



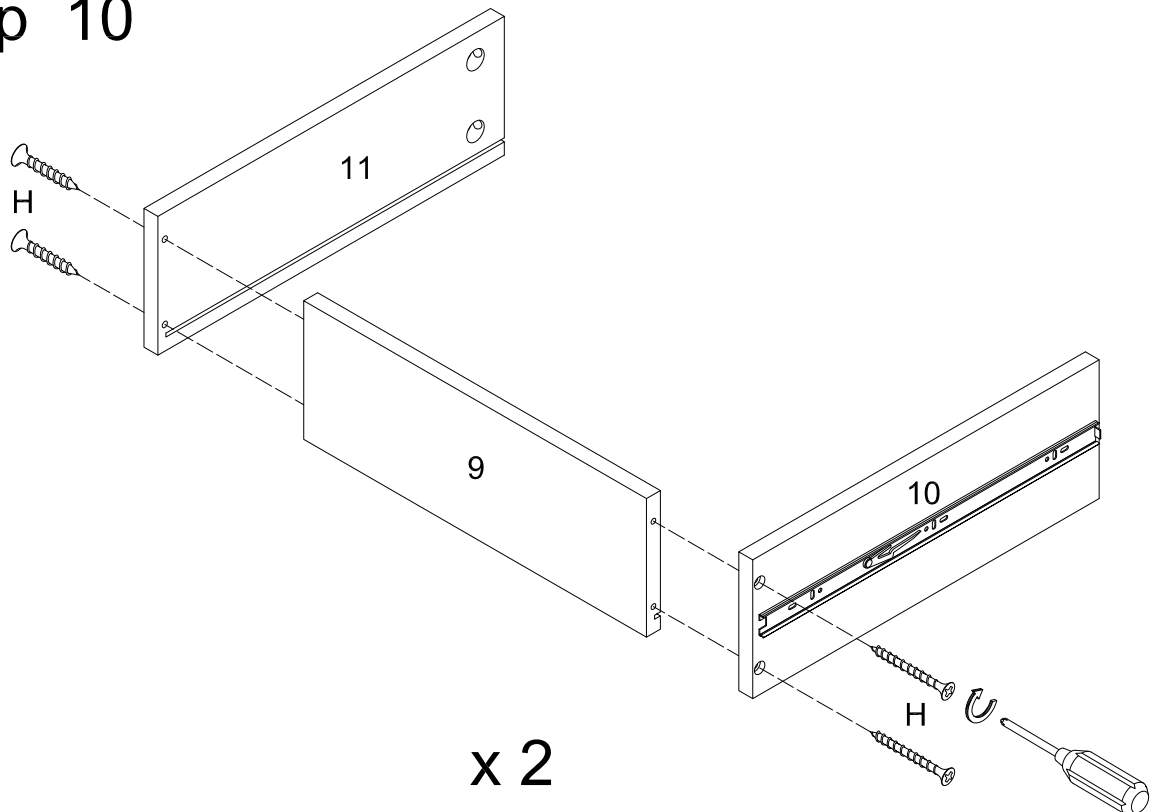
Attach the back panel (7) to the desk and secure it with screw (G).

Step 9



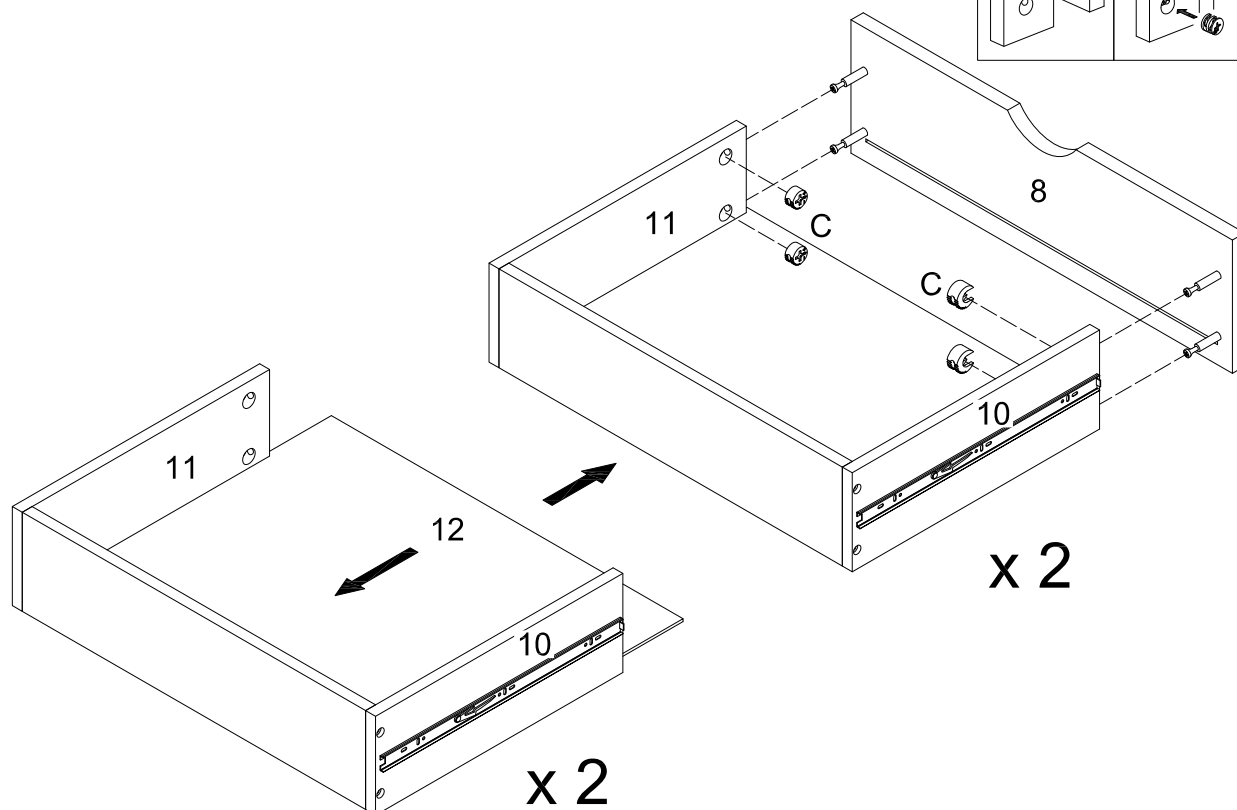
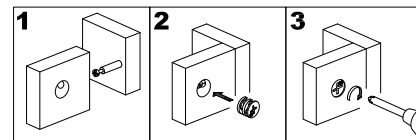
Assemble the drawer tray arms (J) to the side panel (3,4,5,6) and secure it with screw (J).

Step 10



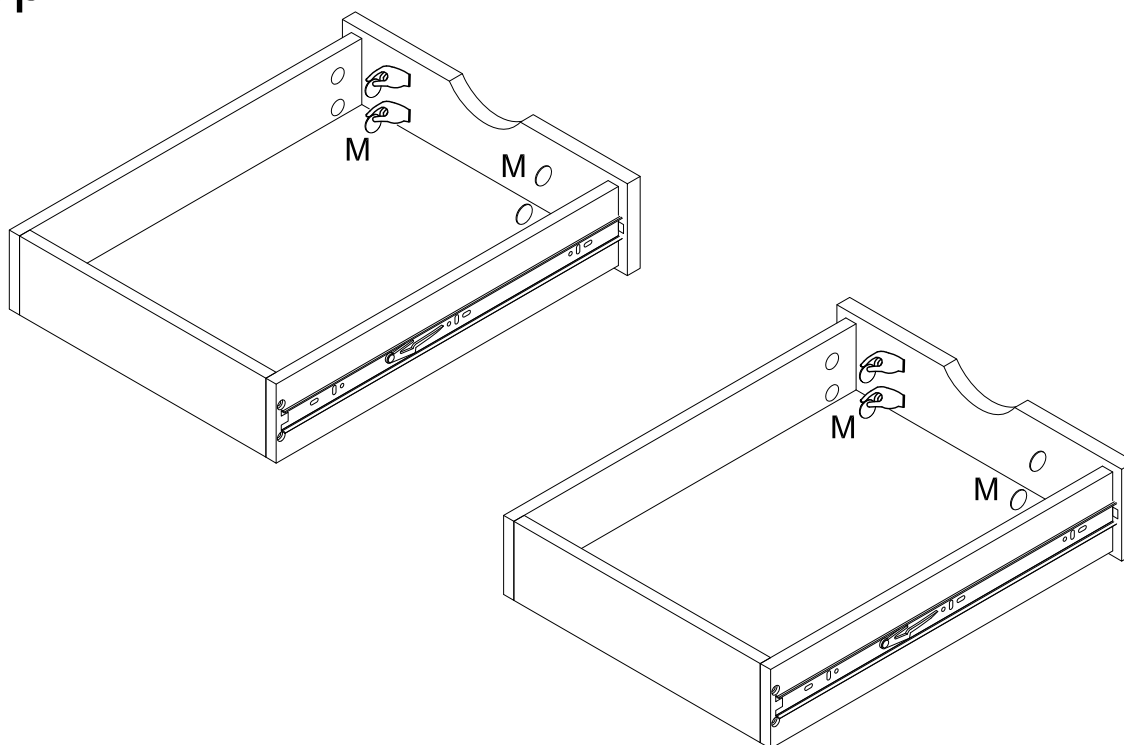
Assemble the drawer side panel (10,11) to the drawer back panel (9) with screw (H).

Step 11



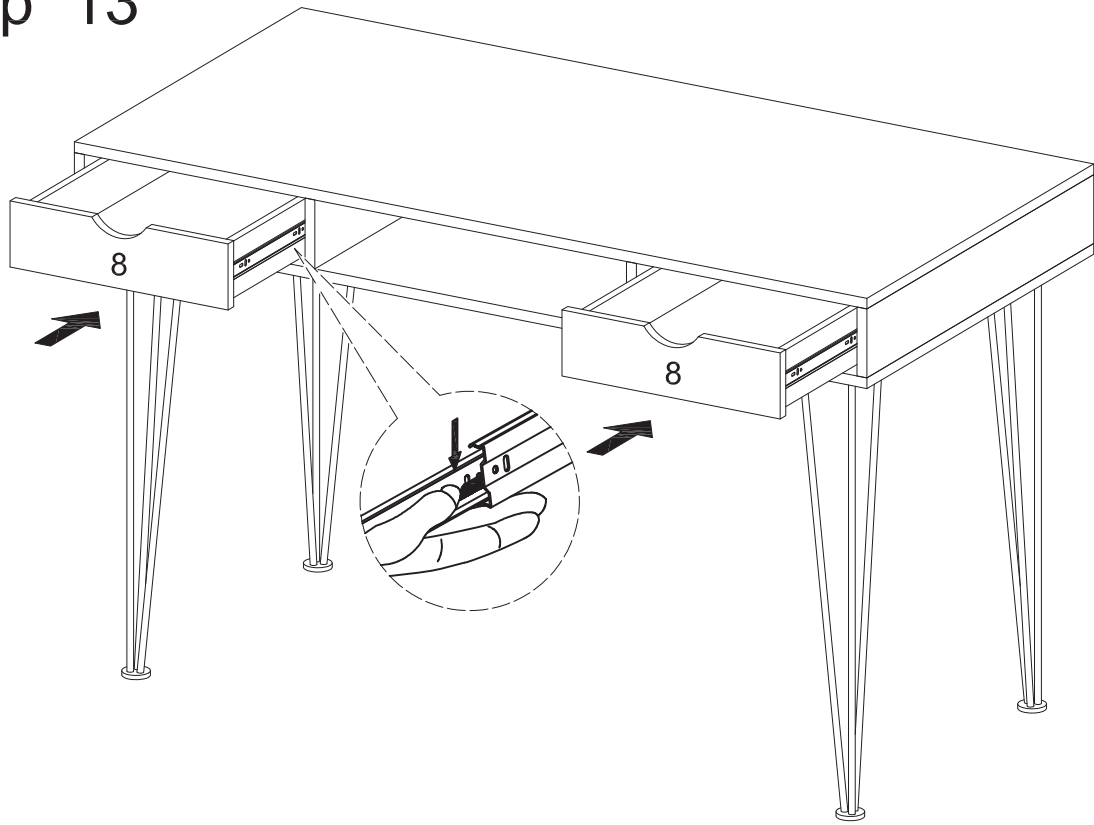
Slot in the drawer bottom panel (12) to drawer side panel (10,11) and use cam locks (C) to secure the drawer front panel (8) to the drawer side panel (10,11).

Step 12



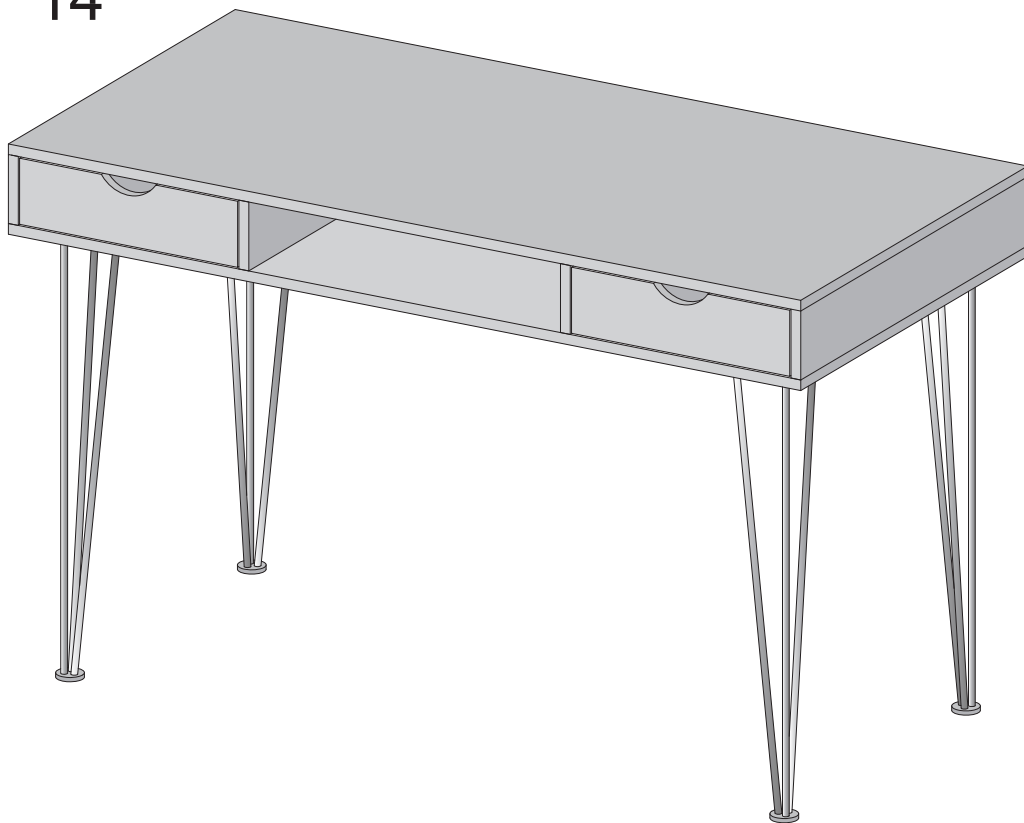
Use sticker (M) to cover the cam locks of the drawers.

Step 13



Assemble the drawers as per diagram.

Step 14



Final Assembly