

**MODEL NUMBER:**

**TRIM KIT:**

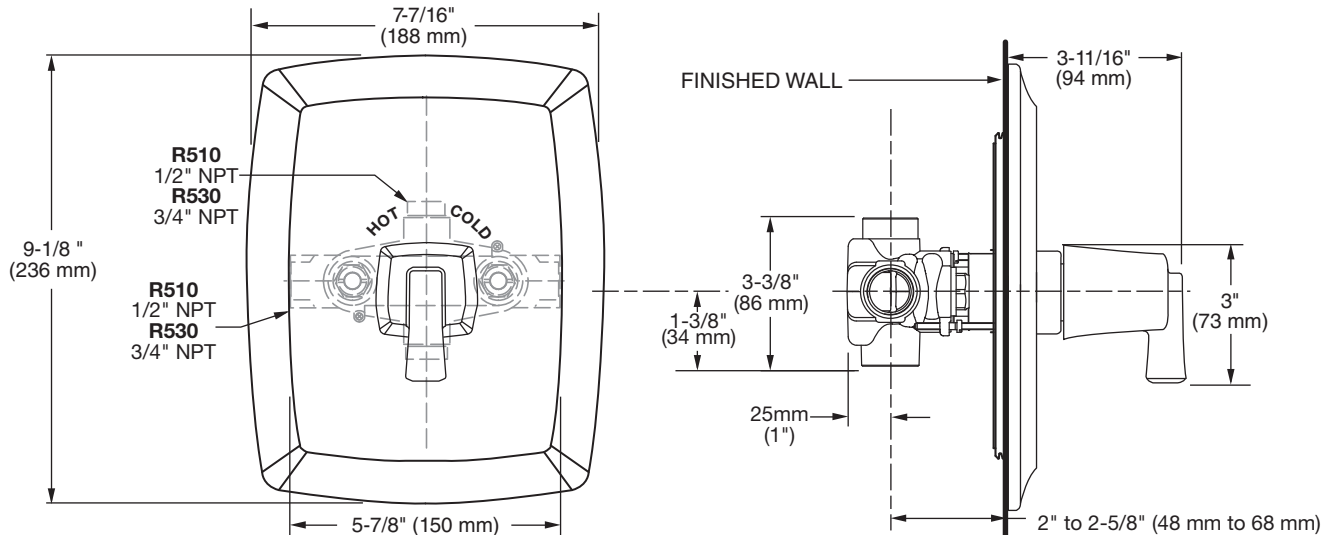
- T353.730 Central Thermostat Trim Kit**  
 LESS volume control. LESS Valve.

**ROUGH VALVES:**

- R510 Rough Valve Body only**  
 1/2" NPT inlets/outlets. LESS trim.
- R520 Rough Valve Body only\***  
 3/4" NPT inlets/outlets. LESS trim.

**NOTE:**

- Requires separate on/off volume control.
  - When used as a Bath/Shower:
- EITHER**
- must use separate on/off volume control for each spray outlet
- OR**
- a diverter tub spout (requires twin ell) IS REQUIRED



**GENERAL DESCRIPTION:**

Cast brass valve body. The single unit contains one handle, which sets the desired temperature. The temperature is maintained by a wax element moving a shuttle valve between hot and cold. Includes Hot Limit Safety Stop. Maximum temperature limit is 112°F. Escutcheon plate is stamped brass. Available with 1/2" or 3/4" NPT inlets and outlets. The valve has a high flow rate, ideal for multiple outlet installations.

**PRODUCT FEATURES:**

- Brass Casting:** Highest quality faucet material for durability & long life.
- Wax Thermostatic Unit:** Permits shuttle valve to move between the hot and cold seat to maintain the pre-selected constant water temperature.
- Back to Back Capable:** Hot and cold can be reversed.
- Spring-Loaded Check Valves:** When the hot and cold water enters the fitting, both supplies pass through the spring-loaded check valves to prevent cross flow of hot and cold water.
- Integrated Stop Valves:** Ensure easy cleaning and servicing.
- Adjustable Hot Limit Safety Stop:** Limits the amount of hot water allowed to mix with cold. Reduces the risk of accidental scalding. Maximum water temperature limit may be reduced to 104 or 109 degrees Fahrenheit.

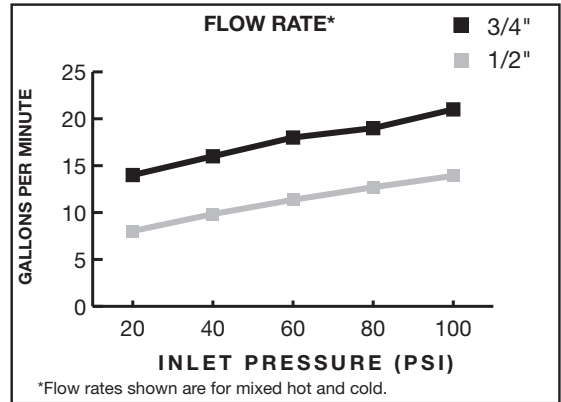
**SUGGESTED SPECIFICATION**

Central Thermostat shall feature a cast brass valve body. Thermostat shall be a wax element shuttle valve. Shall also feature 1/2" or 3/4" NPT inlets and outlets. Fitting shall be American Standard Model # T353.730.\_\_\_\_\_ (Trim Kit) and R510 or R530 (Rough Valve).

**CODES AND STANDARDS**

These products meet or exceed the following codes and standards:

- ASSE 1016
- ASME A112.18.1
- CSA B125.1



TRIM KITS **	Product Number	Description	** TRIM & ROUGH MUST BE ORDERED SEPARATELY.				Finish Options						
			Polished Chrome	PVD Polished Nickel	Legacy Bronze	PVD Satin Nickel							
			002	013	278	295							
	T353.730*	Central Thermostat Trim Kit. LESS volume control.											

ROUGH VALVE BODIES	Product Number	Description
	R510*	Rough Valve Body LESS trim. 1/2" inlets/outlets.
	R530*	Rough Valve Body LESS trim. 3/4" inlets/outlets.

**\*NOTE:** When used as a Bath/Shower a separate on/off volume control for each spray outlet must be used. **Requires twin ell (must be ordered separately) for use with diverter spouts.** Requires separate on/off volume control.

Meets the American Disabilities Act Guidelines and **ANSI A117.1** Requirements for the physically challenged.