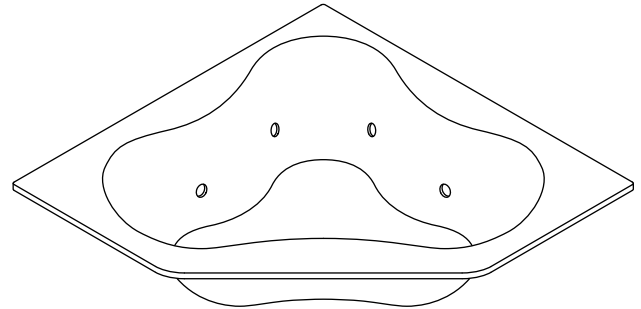


Features

- *ExoCrylic™*
- *Pump with air switch and grounding-type plug-in cord*
- *For corner installation*
- *Custom pump locations*
- *Drop-in installation*
- *Optional K-9696 whirlpool trim kit in additional finishes*
- *Six individually adjustable ProFlex® hydro-massage jets*
- *Molded lumbar support and armrests for comfort*
- *54" (1372 mm) x 54" (1372 mm) x 20" (508 mm)*



Codes/Standards Applicable

Specified model meets or exceeds the following:

- *ASME A112.19.7/CSA B45.10*
- *CSA B45.5/IAPMO Z124*
- *UL 1795*

Colors/Finishes

- 0: White
- Other: Refer to Price Book for additional colors/finishes

Accessories

- 0: White
- CP: Polished Chrome
- PB: Vibrant® Polished Brass
- Other: Refer to Price Book for additional colors/finishes

Specified Model

Model	Description	Colors/Finishes	
K-1154-CC	Whirlpool bath	<input type="checkbox"/> 0	<input type="checkbox"/> Other _____

Recommended Accessories			
K-7213	Clearflo bath cable drain with PVC tubing	<input type="checkbox"/> CP	<input type="checkbox"/> Other _____
K-7214	Clearflo bath cable drain without PVC tubing	<input type="checkbox"/> CP	<input type="checkbox"/> Other _____
K-11677	Adjustable trip lever bath drain	<input type="checkbox"/> CP	<input type="checkbox"/> PB

Product Specification

The ExoCrylic whirlpool bath shall be 54" (1372 mm) in length, 54" (1372 mm) in width, and 20" (508 mm) in height. Whirlpool shall be drop-in for corner installation. Whirlpool shall have six individually adjustable ProFlex hydro-massage jets, pump with air switch and grounding-type plug-in cord, molded lumbar support and armrests for comfort, and custom pump locations. Whirlpool shall feature optional K-9696 whirlpool trim kit in additional finishes. Whirlpool bath shall be Kohler Model K-1154-CC-_____.

PROFLEX® 5454

Optional Accessories

K-1491	Removable bath pillow	<input type="checkbox"/> 0			<input type="checkbox"/> Other_____
K-1601	Removable footstop	<input type="checkbox"/> 0			<input type="checkbox"/> Other_____
K-9696	Jet trim kit (metal finishes)		<input type="checkbox"/> CP	<input type="checkbox"/> PB	<input type="checkbox"/> Other_____

Technical Information

Fixture*:	
Bathing well:	
Basin area, bottom	44" (1118 mm) x 36" (914 mm)
Basin area, top	56" (1422 mm) x 43" (1092 mm)
Weight	65 lbs (29.5 kg)
To overflow:	
Water depth	15" (381 mm)
Capacity	76 gal (288 L)
* Approximate measurements for comparison only.	

Pump:	V	Hz	A
1-speed	120	60	7.5

Required Electrical Service

Dedicated circuit required, protected with Class A Ground-Fault Circuit-Interrupter (GFCI):

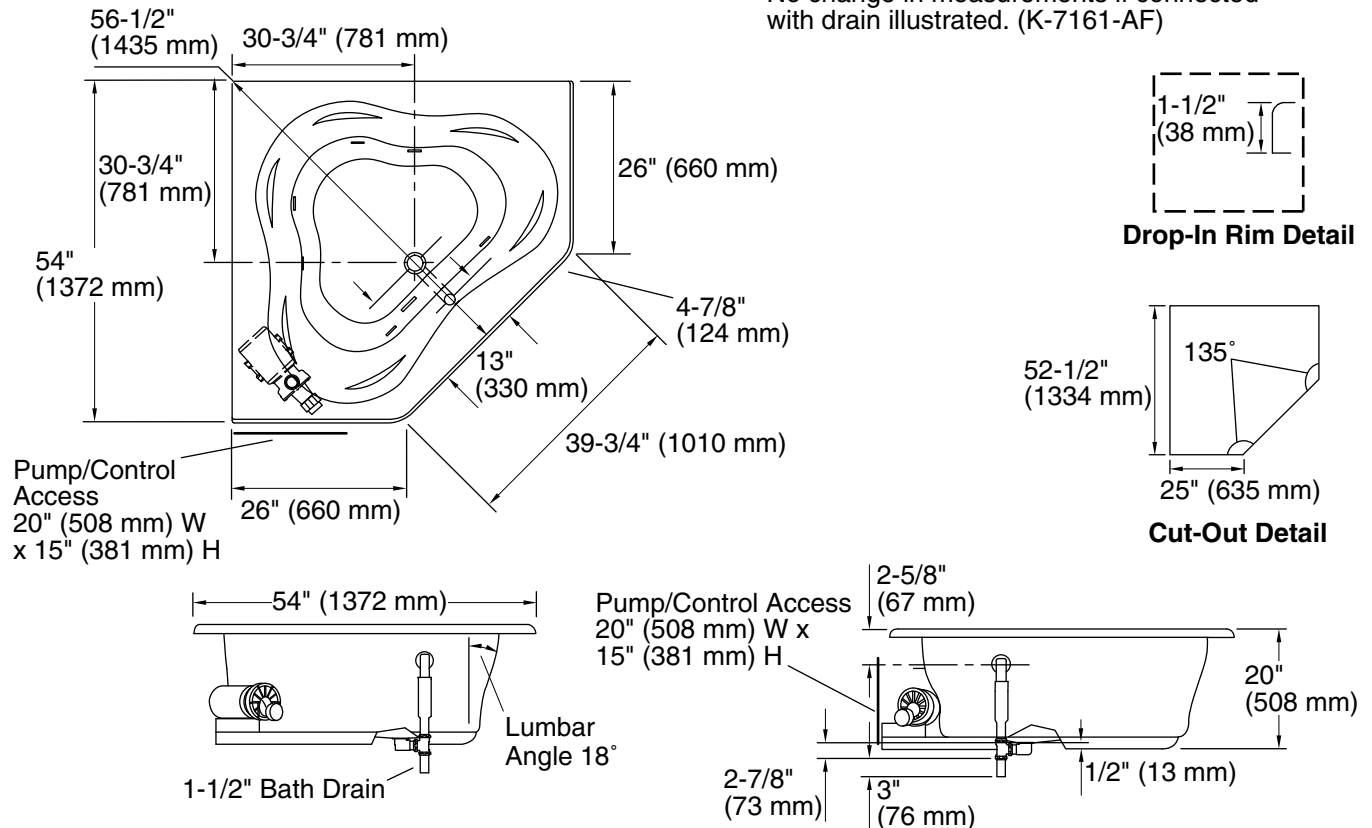
Pump/control 120 V, 15 A, 60 Hz

Locate the outlet behind the whirlpool and within 24" (610 mm) of the pump.

Installation Notes

Install this product according to the installation guide.

Floor support under whirlpool must provide for a minimum of 37 lbs/square foot (175 kg/square meter) loading.



Product Diagram