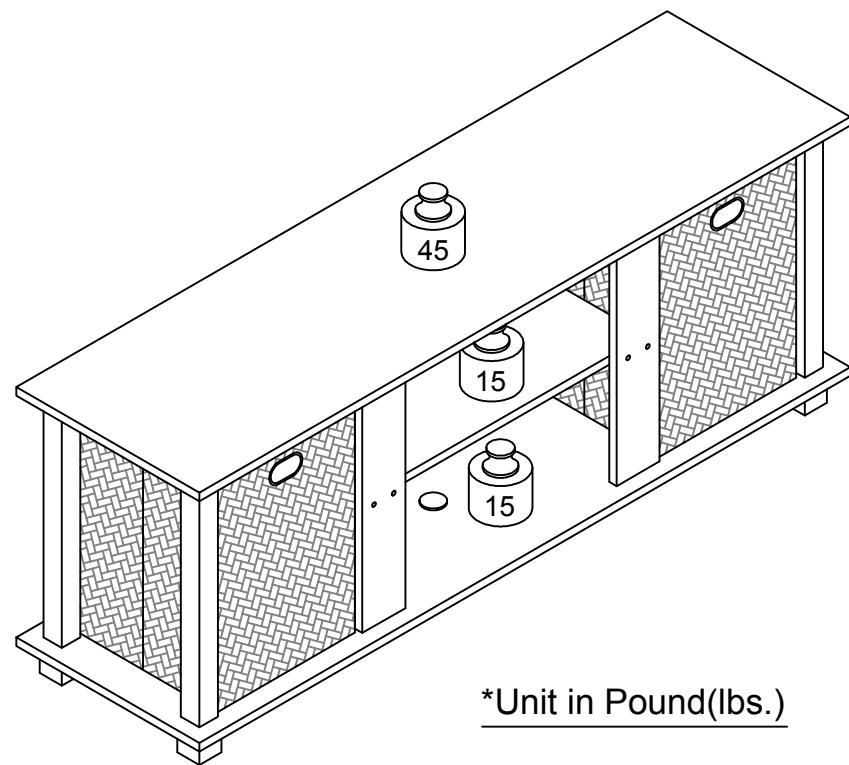


Recommended Maximum Weight



WARNING:

- >This unit has been designed to support the maximum loads shown. Exceeding these load limits could cause sagging, instability, product collapse, and/or serious injury.
- >DO NOT allow children to climb on unit.
- > Put heavier items on lower shelves.



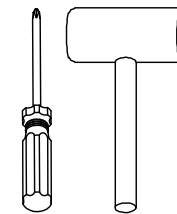
Assembly Instruction

00:30

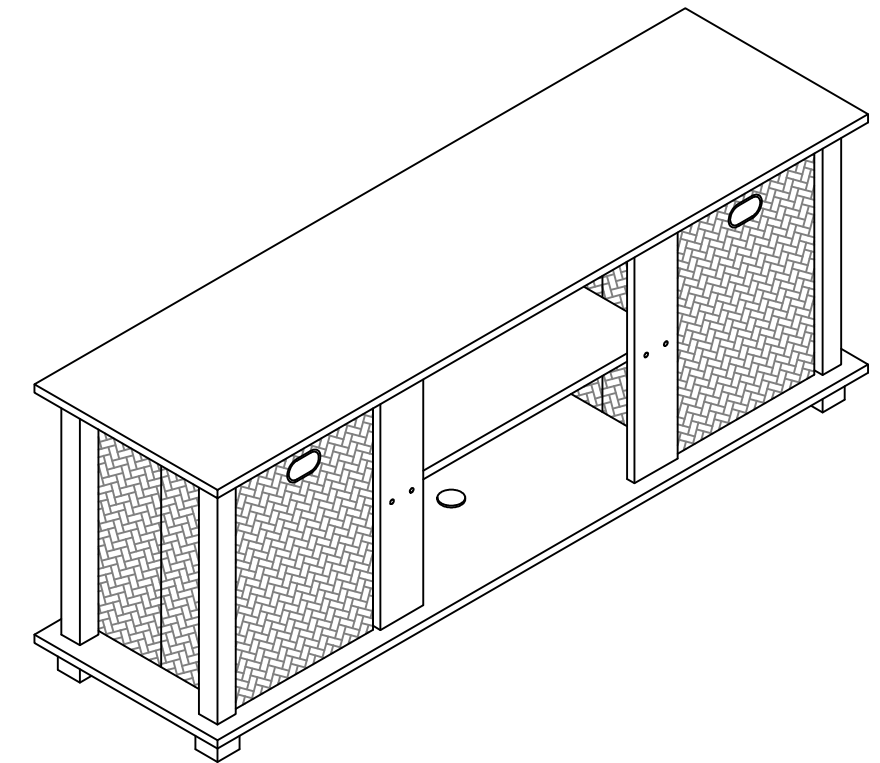
Approx. 30 minutes



Recomm. 1 Person



Tool Required



Customer Support

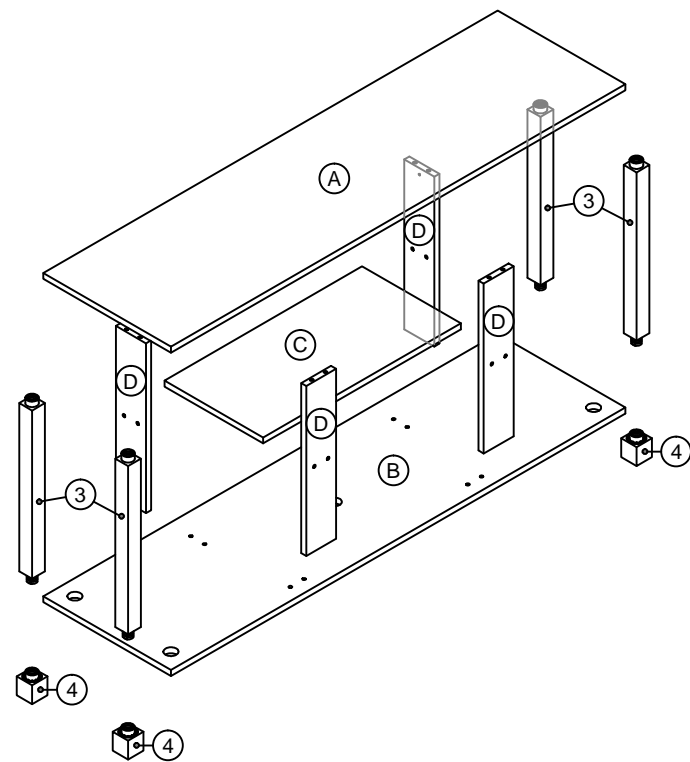


NEED HELP? For replacement requests or product inquiries, please contact our Customer Service Team by emailing us at support@furinno.com. Thank you for selecting Furinno!

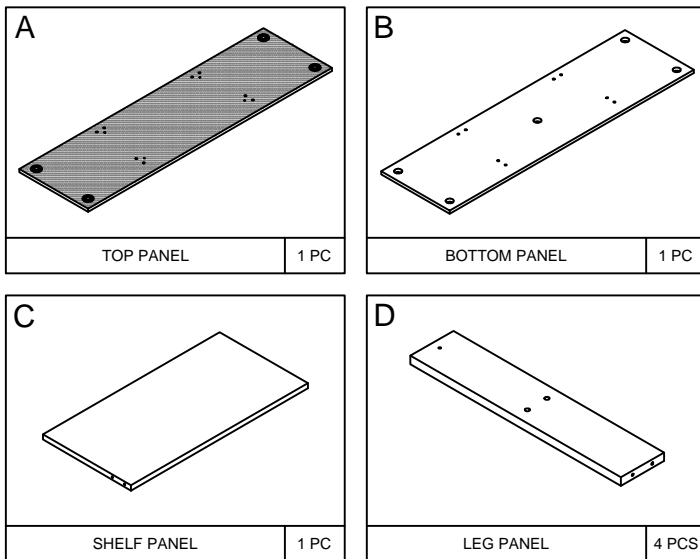
www.furinno.com



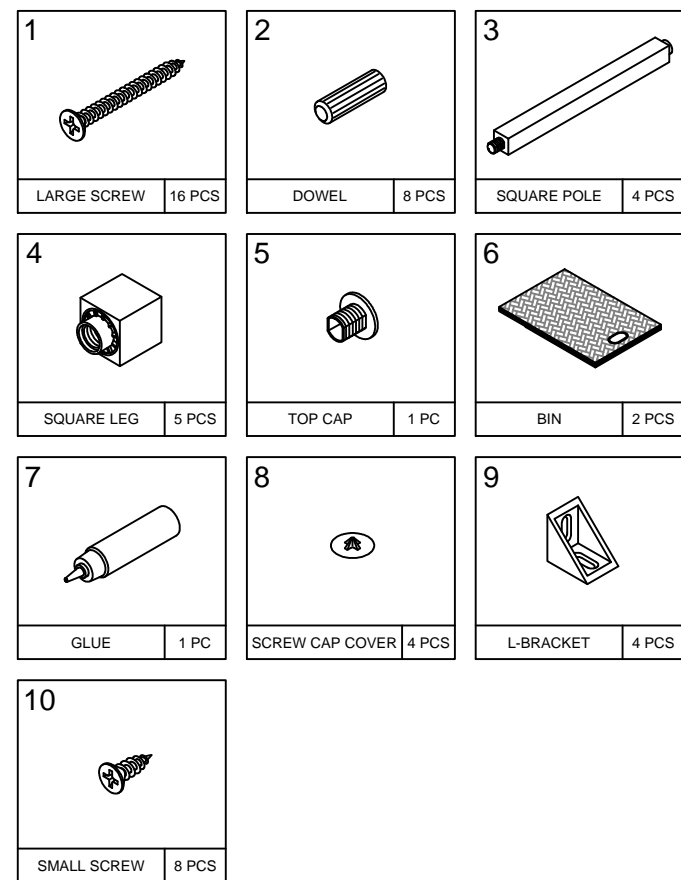
EXPLODED VIEW



PARTS LIST



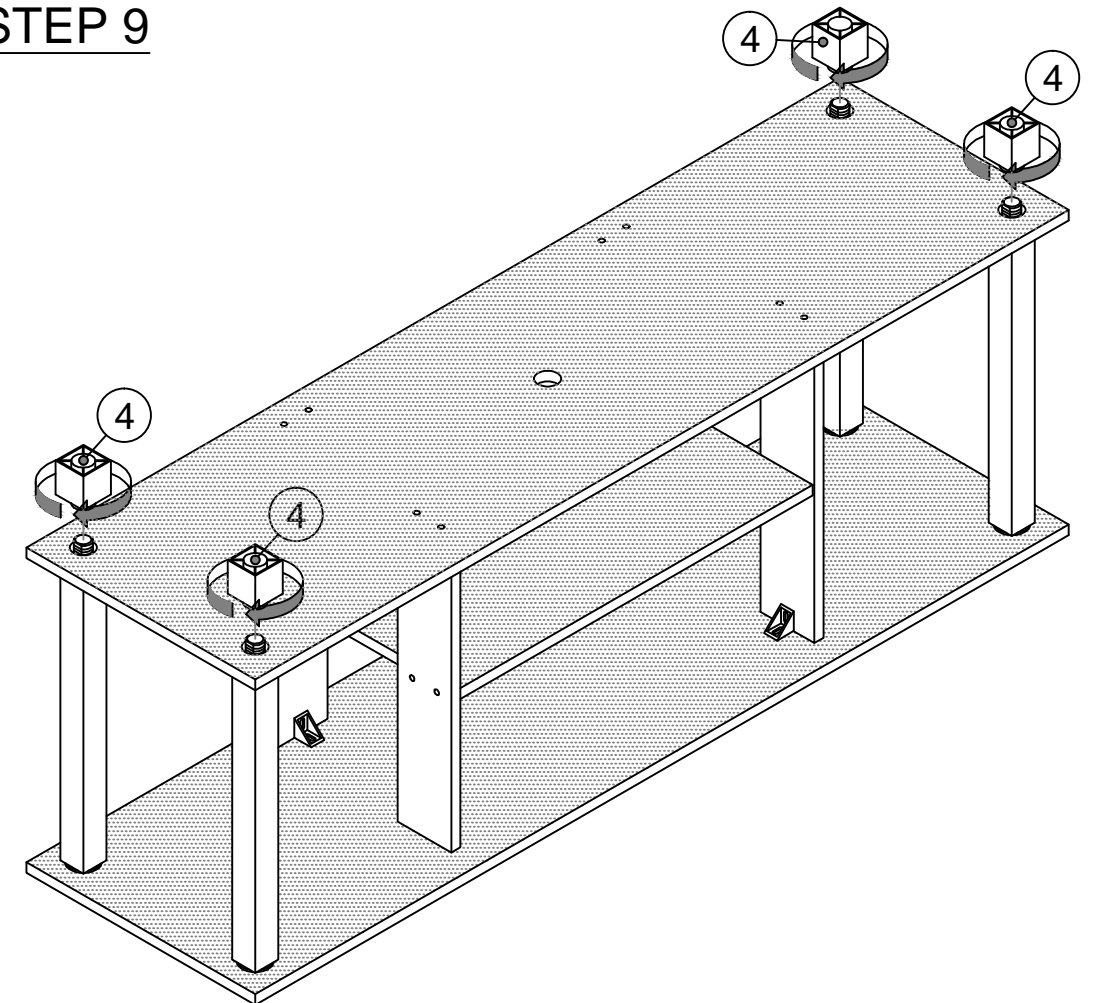
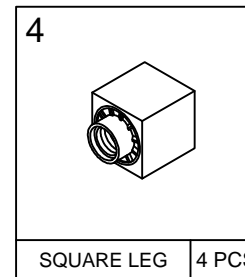
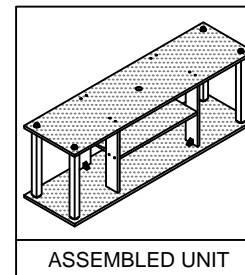
HARDWARE LIST



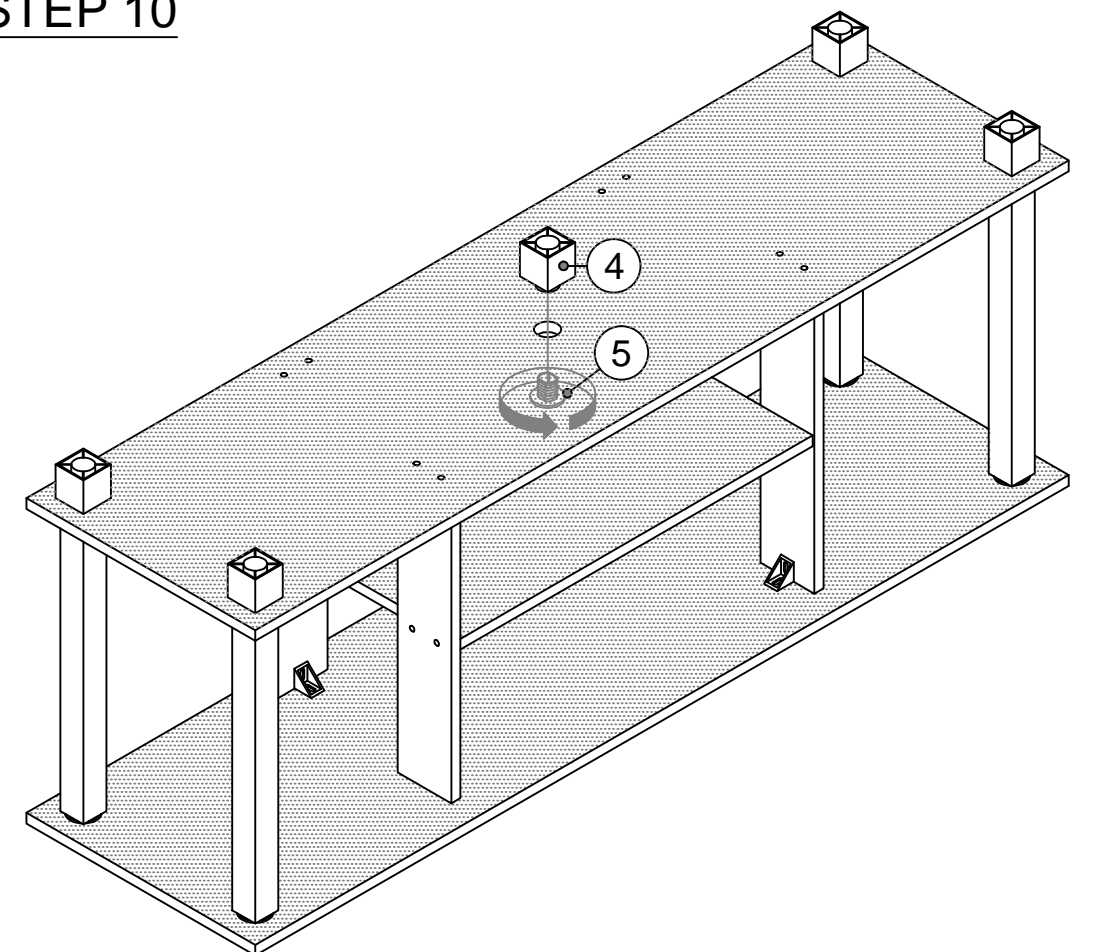
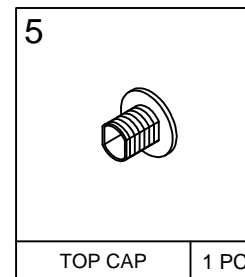
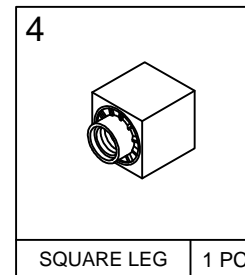
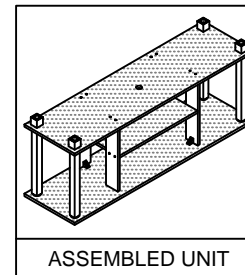
USEFUL HINTS BEFORE YOU START:

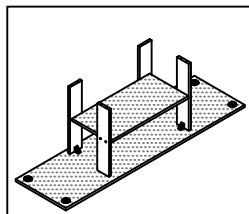
1. Read each step carefully before starting.
2. It is important that each step is performed in correct order to avoid difficulties.
3. Identify, soft and count the parts before assembly.
4. Assemble your furniture on packaging cardboard to prevent scratch or damage.
5. Clean the product with mild cleanser using soft damped cloth. Do not use harsh or abrasive cleanser.
6. Using incompatible hardware might cause damage to product.

STEP 9

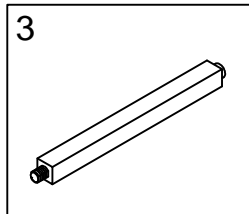


STEP 10



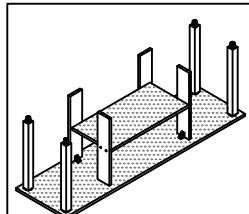
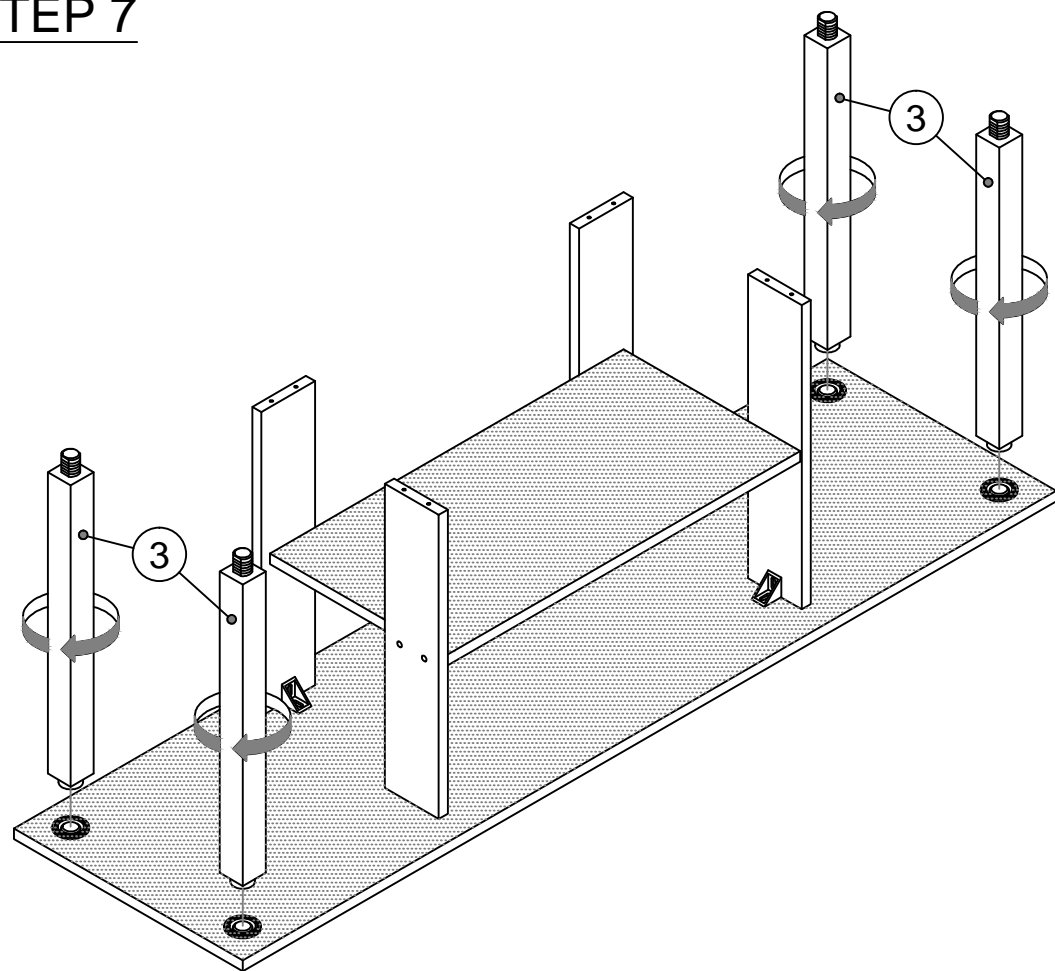


ASSEMBLED UNIT

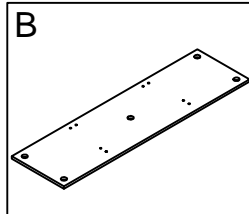


SQUARE POLE 4 PCS

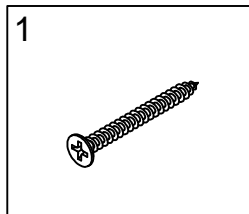
STEP 7



ASSEMBLED UNIT

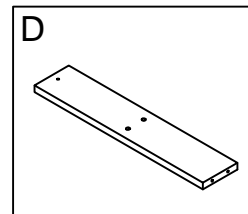
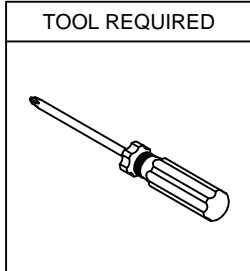
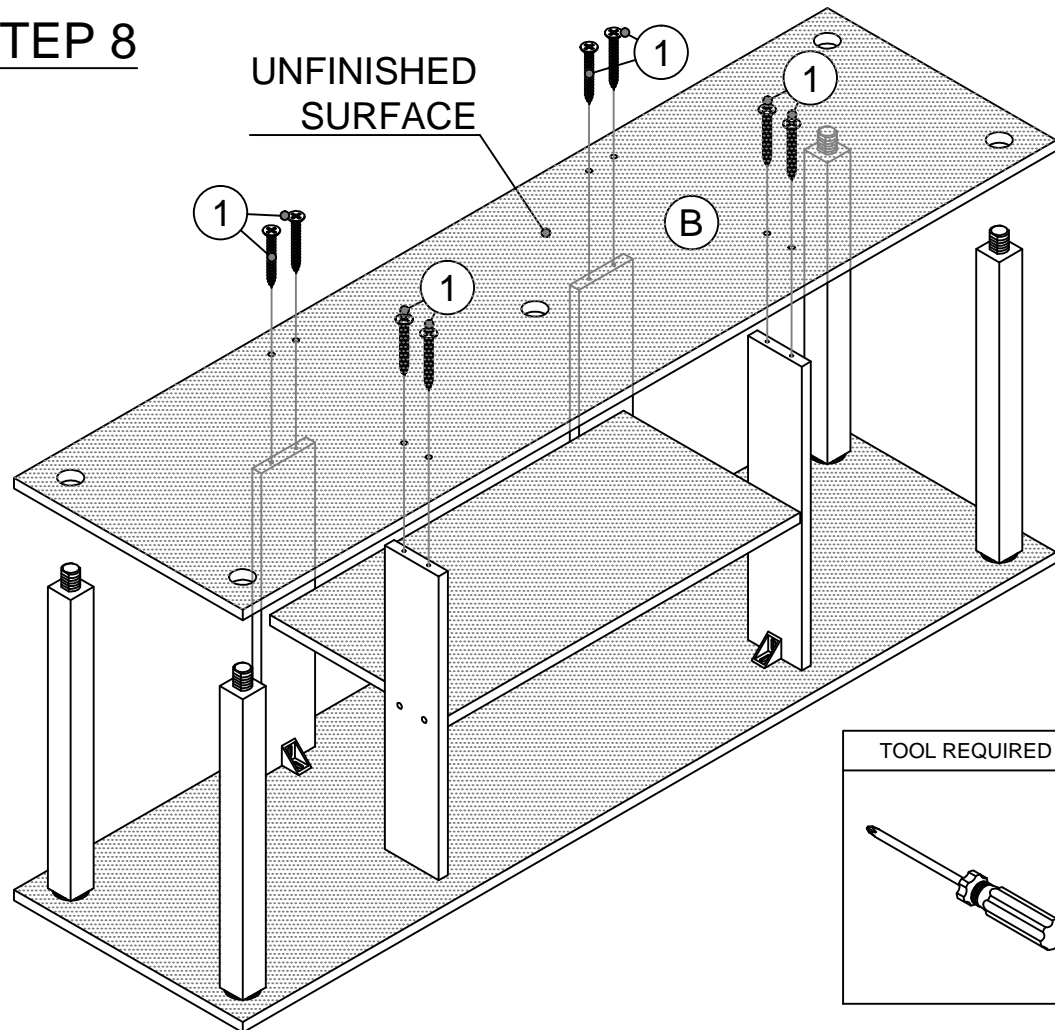


BOTTOM PANEL 1 PC

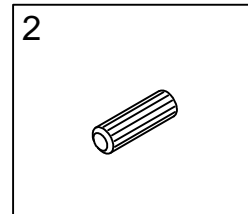


LARGE SCREW 8 PCS

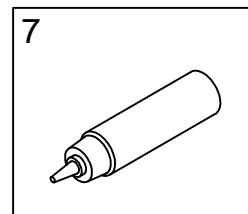
STEP 8



LEG PANEL 4 PCS

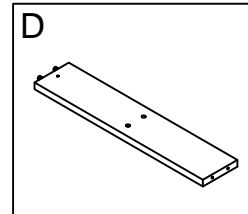
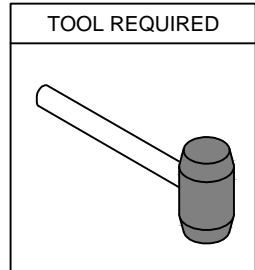
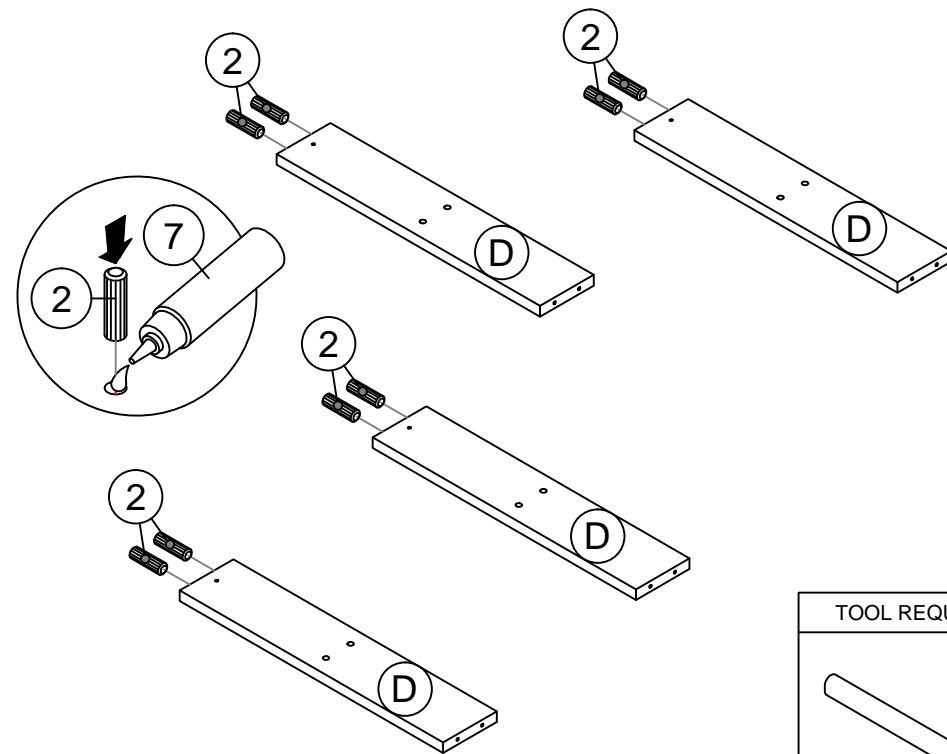


DOWEL 8 PCS

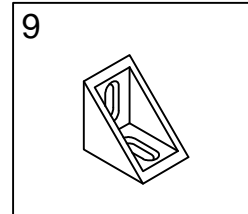


GLUE

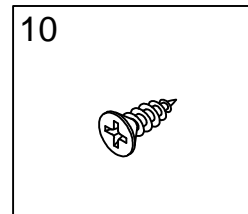
STEP 1



LEG PANEL 4 PCS

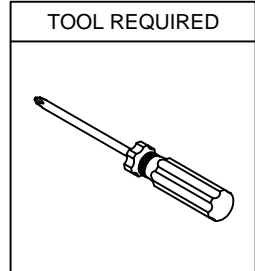
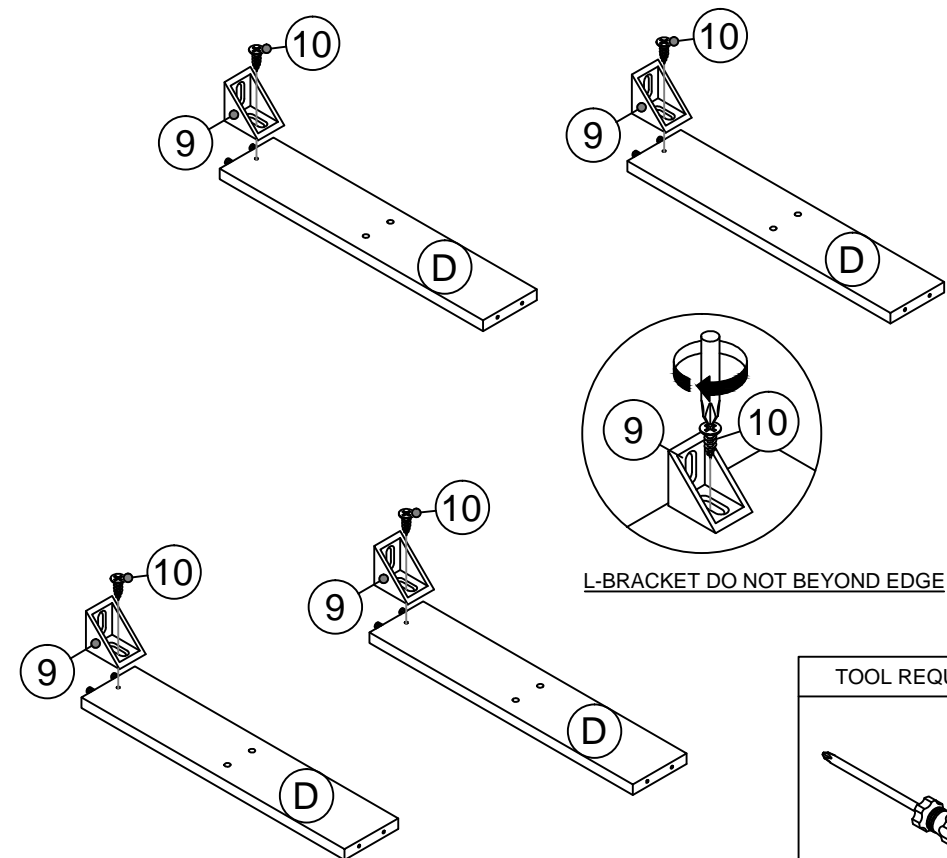


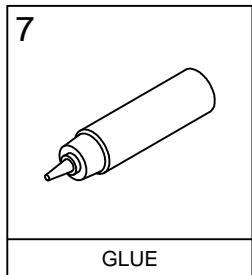
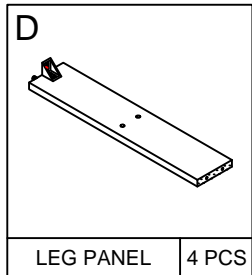
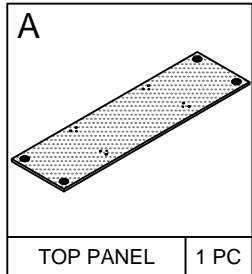
L-BRACKET 4 PCS



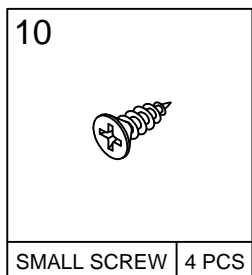
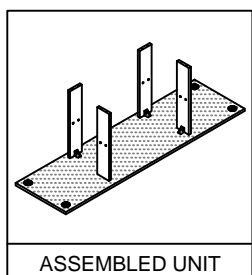
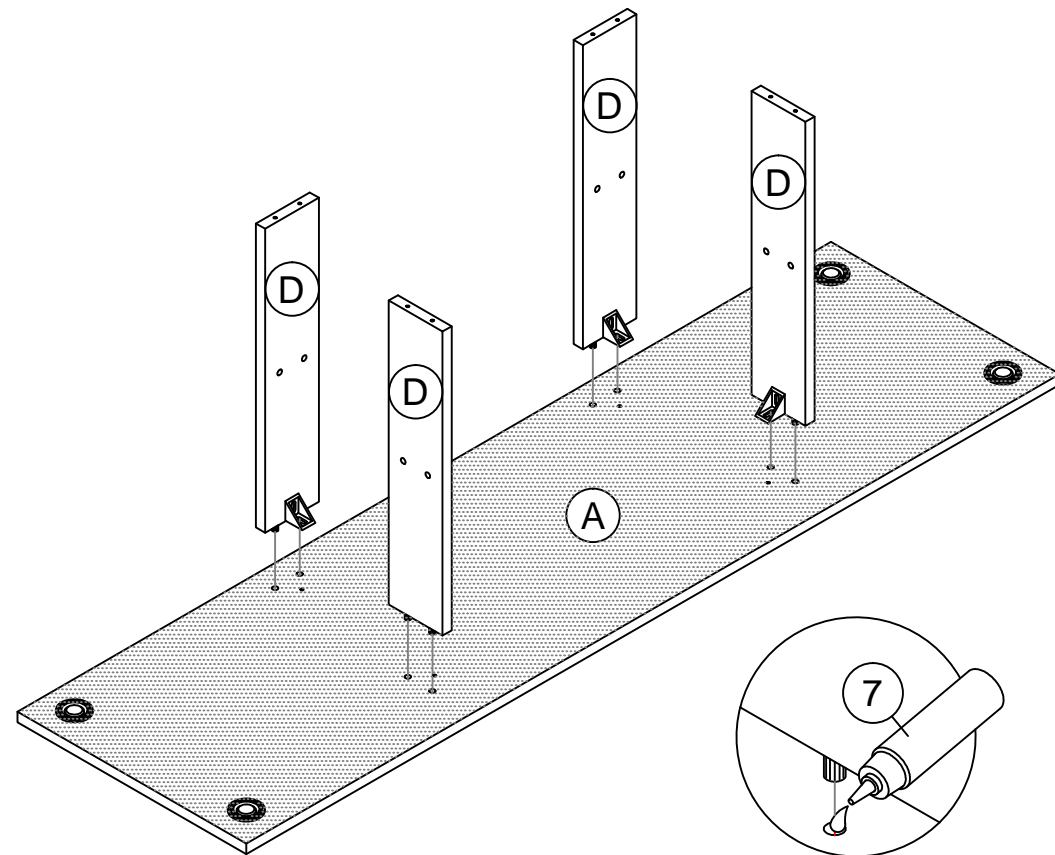
SMALL SCREW 4 PCS

STEP 2

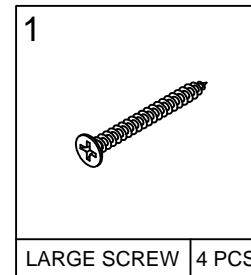
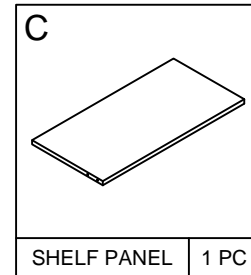
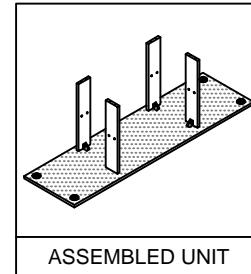
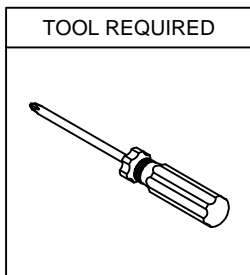
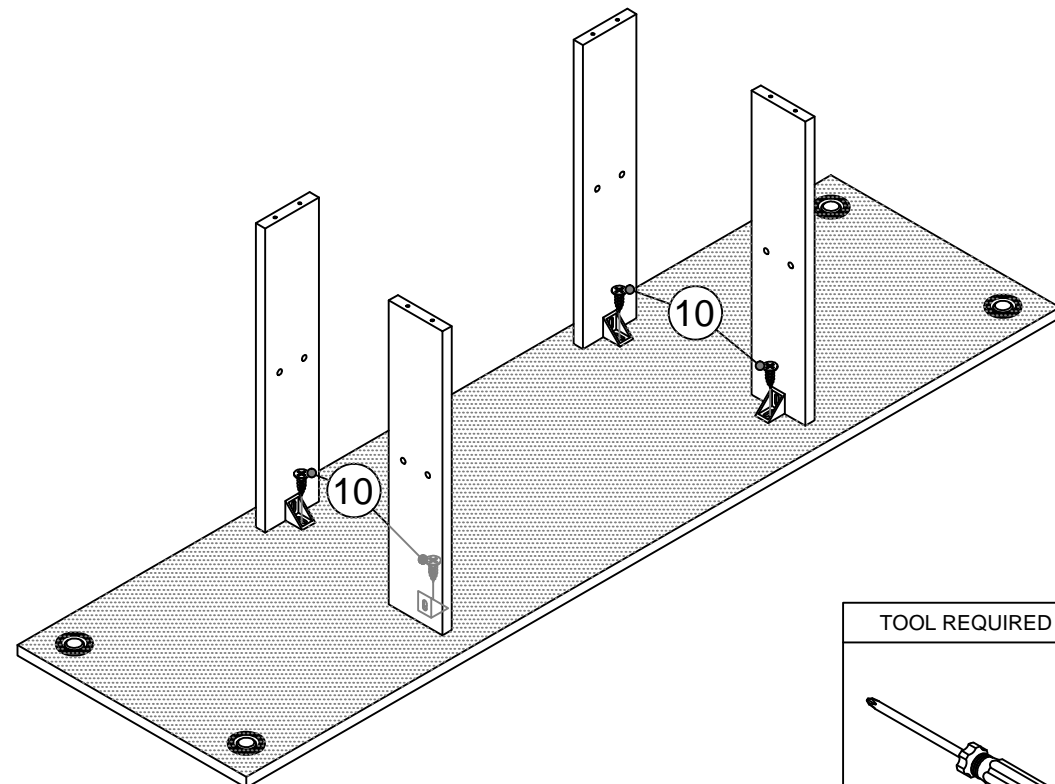




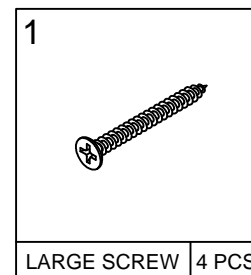
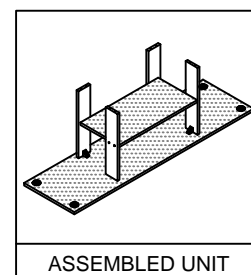
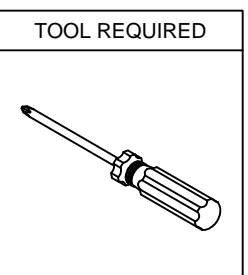
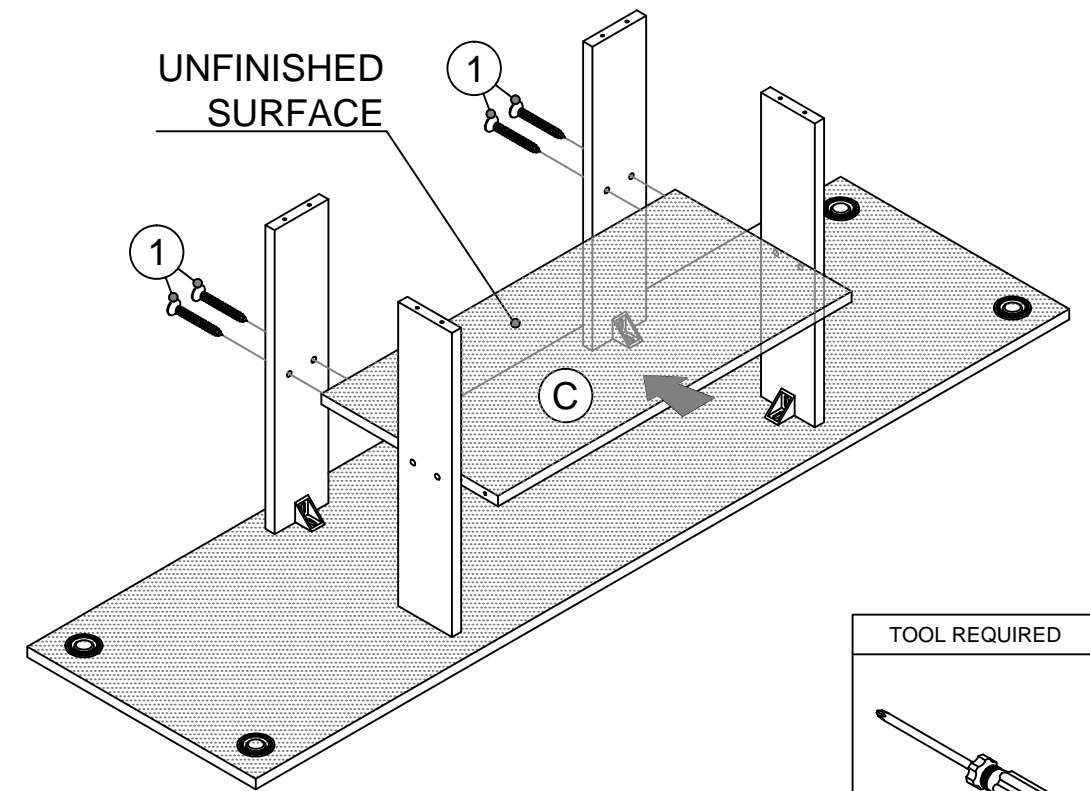
STEP 3



STEP 4



STEP 5



STEP 6

