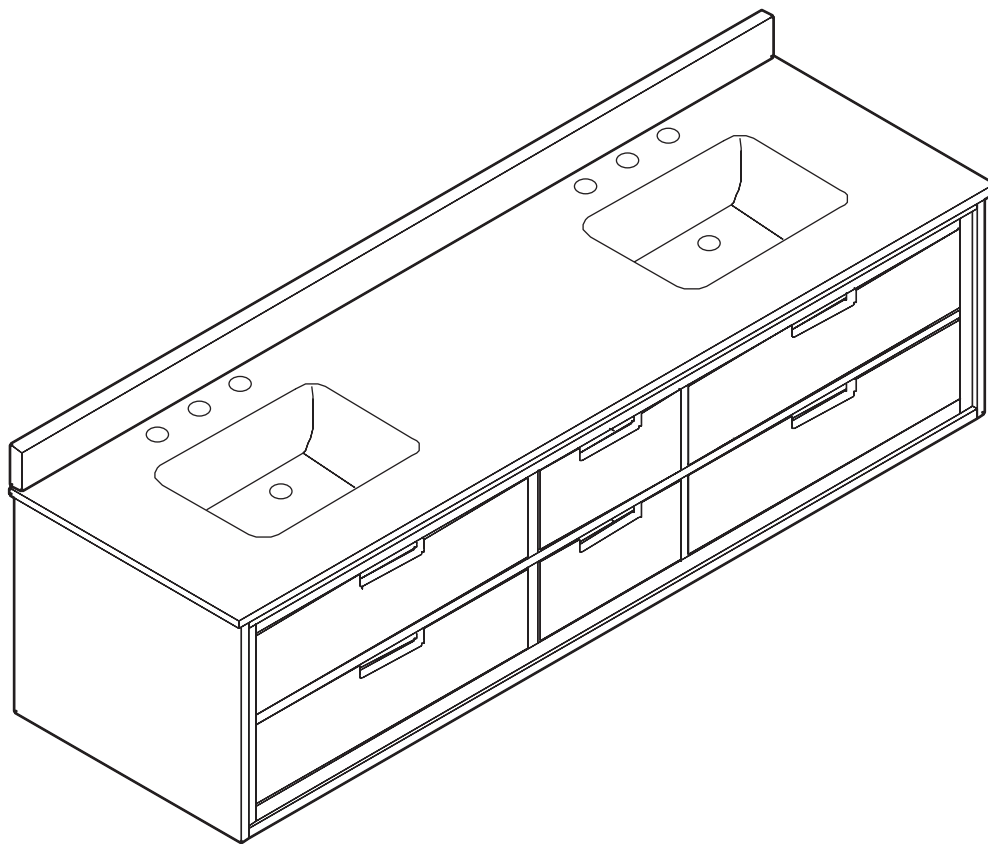


USE AND CARE GUIDE

72 INCH DOUBLE WALL HUNG BATH VANITY



Questions, problems, missing parts? Before returning to the store,
call Home Decorators Collection Customer Service
8 a.m. - 7 p.m., EST, Monday - Friday, 9 a.m.- 6 p.m., EST, Saturday

1-800-986-3460

HOMEDEPOT.COM/HOMEDECORATORS

THANK YOU


We appreciate the trust and confidence you have placed in Home Decorators Collection through the purchase of this vanity. We strive to continually create quality products designed to enhance your home. Visit us online to see our full line of products available for your home improvement needs. Thank you for choosing Home Decorators Collection!

Table of Contents

Table of Contents	2	Hardware Included.....	4
Safety Information	2	Package Contents	4
Warranty	2	Installation	5
Pre-Installation.....	3	Maintenance	7
Planning Installation	3	Care and Cleaning	7
Vanity and Countertop Dimensions	3	Troubleshooting	7
Tools Required	3	Service Parts.....	8

Safety Information

- Read and understand these instructions before attempting to assemble, install, or use this product.

 **WARNING:** Handle with care. Do not drop or handle roughly as this will damage the vanity.

Warranty

ONE YEAR WARRANTY

This warranty applies to vanities installed for commercial and residential use. The distributor warrants that, when installed in accordance with the Recognized Plumbing Industry Practice, the vanities are free of manufacturing defects for a period of one (1) year from the date of purchase.

We guarantee your satisfaction with each vanity. Should any vanity not meet your satisfaction due to a visual defect, simply return it to your retailer with the original packaging, prior to installation, for a repayment.

This warranty applies only to the original purchaser and installation site and is not transferable.

Contact the Customer Service Team at 1-800-986-3460 or visit www.HomeDepot.com/HomeDecorators.

Pre-Installation

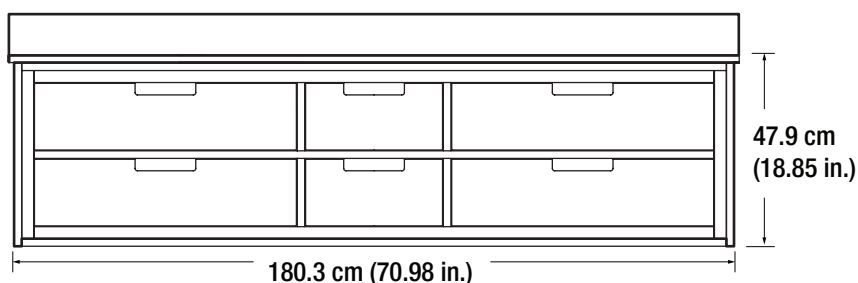
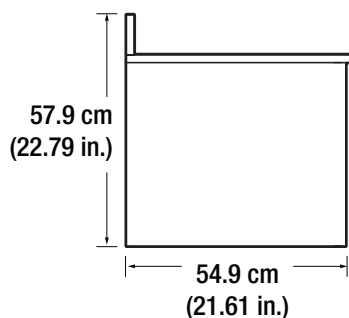
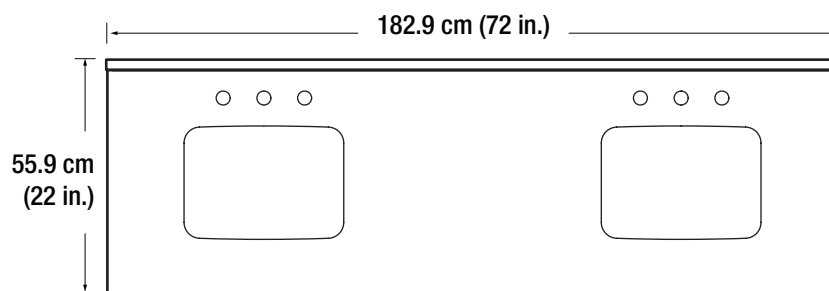
PLANNING INSTALLATION

Check the vanity for damage before installation. If any part of the vanity is missing or damaged, contact the Customer Service Team at 1-800-986-3460.

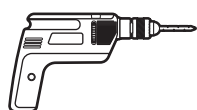
Ensure that the vanity location is accessible to water supply and drain lines. It is recommended that you rough-in the water lines and drain before installing the vanity.

 **NOTE:** A drain pipe and trap are not included with this vanity.

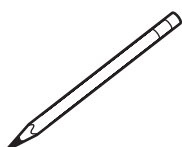
VANITY AND COUNTERTOP DIMENSIONS



TOOLS REQUIRED



Drill



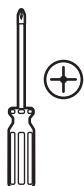
Pencil



Bit



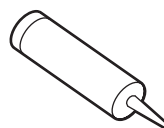
Safety Glasses



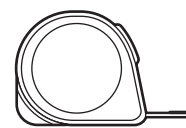
Phillips
Screwdriver



Level



Silicone



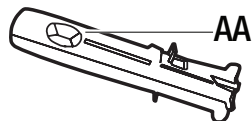
Measuring Tape

Pre-Installation (continued)

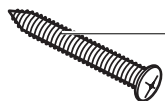
HARDWARE INCLUDED



NOTE: Hardware not shown to actual size.



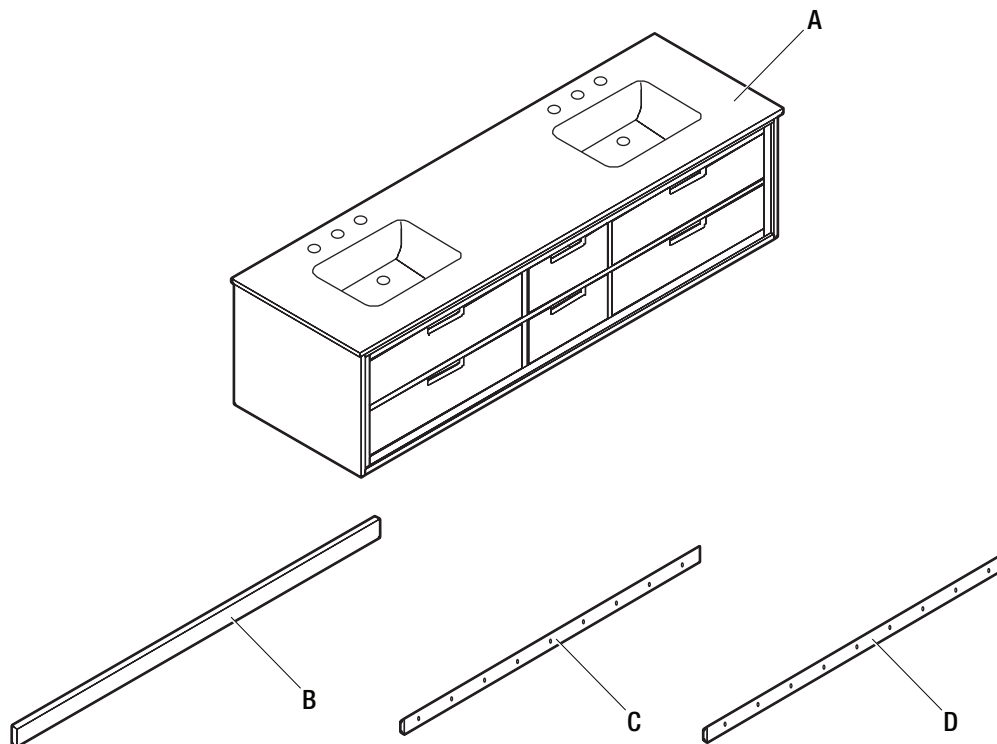
AA



BB

Part	Description	Quantity
AA	Anchor	18
BB	Screw	18

PACKAGE CONTENTS

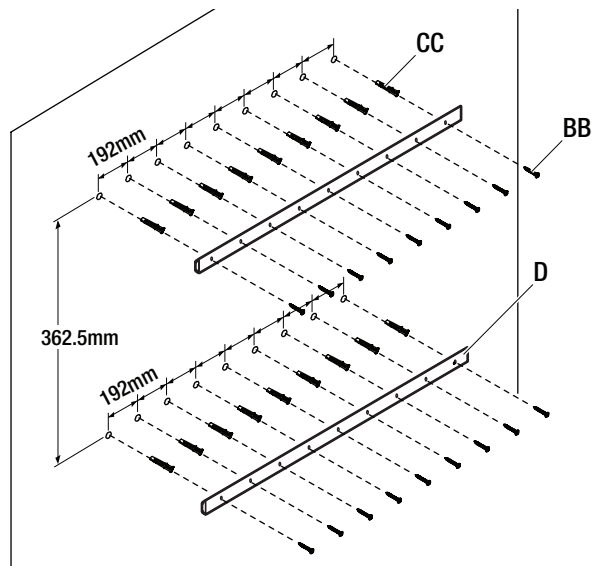


Part	Description	Quantity
A	Vanity	1
B	Backsplash	1
C	Wall hanging cleat (upper)	1
D	Wall hanging cleat (lower)	1

Installation

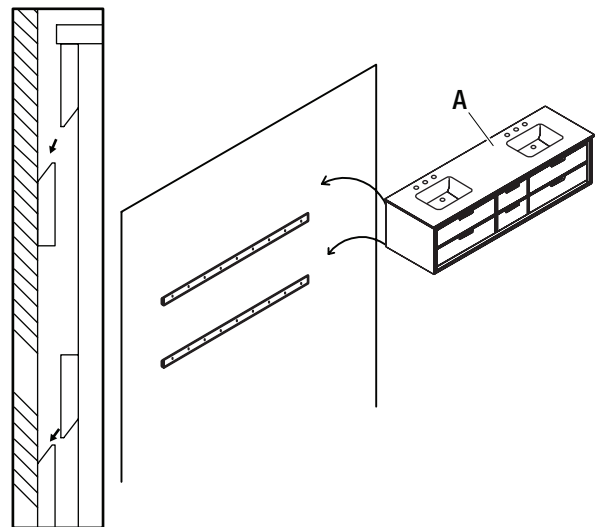
1 Installing the wall hanging cleats

- Use a pencil to mark the installation location for the cleats (C). Use a level to ensure the cleats (C) will be level before installing to the wall.
- Install the 18 anchors (AA) provided into the wall as shown in the diagram. If necessary, pre-drill the anchor holes using a drill.
- With the beveled edges facing up, attach the two wall hanging cleats (C) to the wall using the 18 screws (BB) provided.



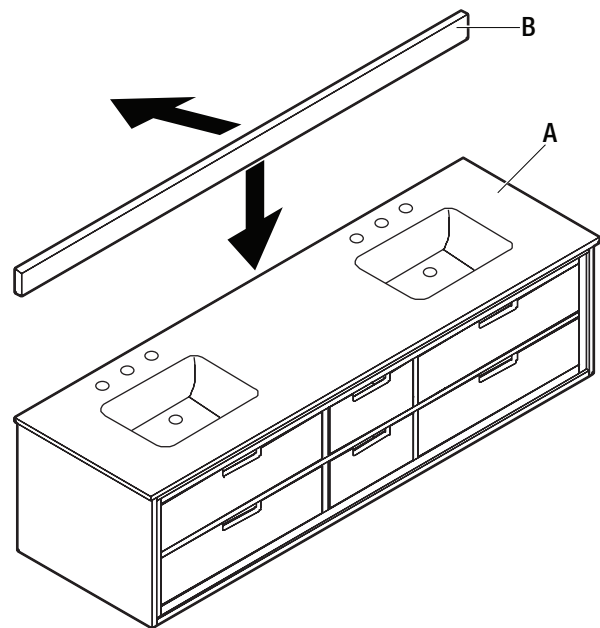
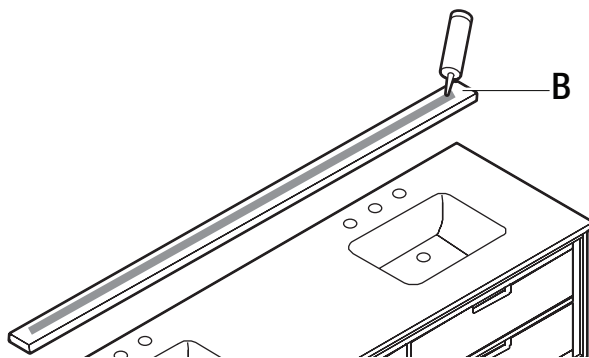
2 Hanging the vanity

- With help from another person, carefully hang the vanity (A) onto the wall hanging cleats.



3 Installing the backsplash

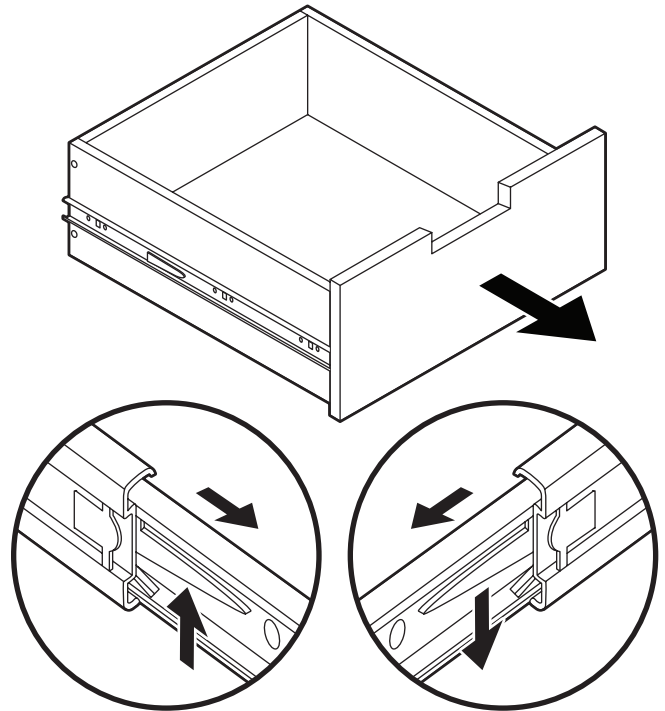
- Apply silicone to the back of the backsplash (B).
- Place the backsplash (B) on the vanity (A). Be sure to align the backsplash (B) with the top of the vanity (A).
- Press the backsplash (B) onto the wall.
- Allow the silicone to dry before using the vanity.



Installation (continued)

4 Removing the drawers

- Open the drawer as far as possible.
- Simultaneously, press the right side spring clip downward and the left side spring clip upward.
- Once both spring clips are held in the indicated position, pull the drawer straight out.



Maintenance

- If your furniture is stained or otherwise damaged during use, contact a professional for repairs.
- Check the bolts or screws periodically and tighten them if necessary.

Care and Cleaning

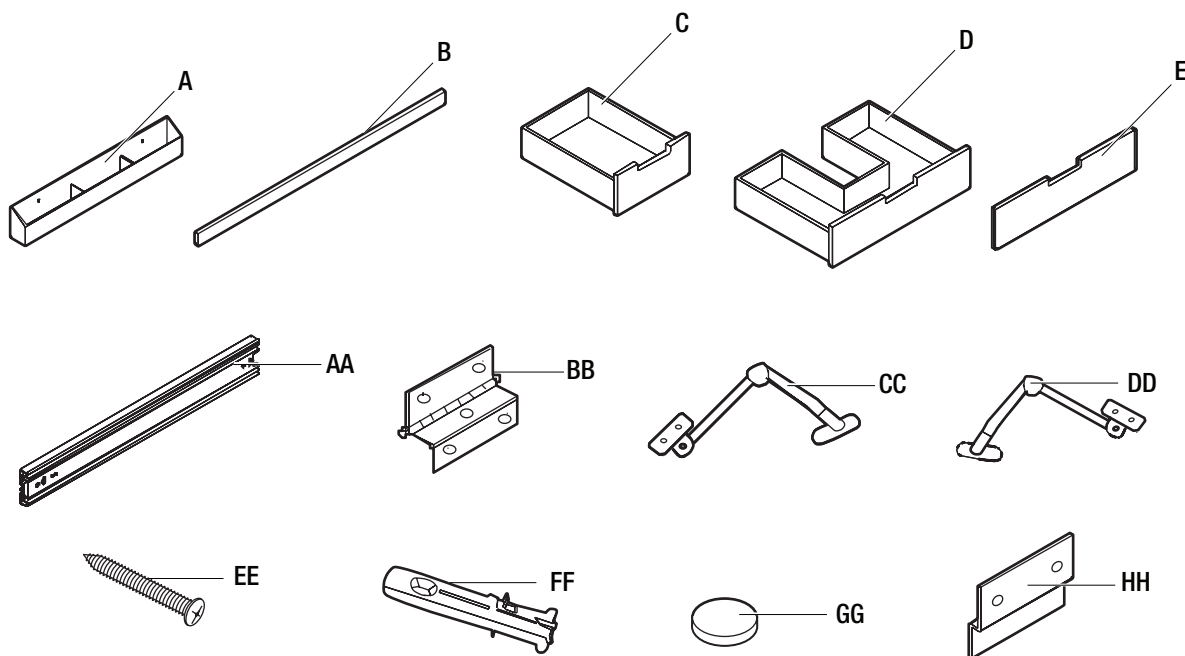
- Dust the surface using a soft, clean cloth.
- The use of furniture polish is not necessary. If you chose to use furniture polish, test the polish in an inconspicuous area before applying the polish over the entire surface of the vanity.
- Do not use solvents or water to clean the vanity, as these may damage the finish of the vanity.
- Always use coasters under beverage glasses and flowerpots.
- Remove liquid spills immediately. Use a soft, clean cloth to gently blot the spill. Avoid rubbing.
- Always use protective pads under hot dishes and plates. Heat can cause chemical changes which may create spotting within the furniture finish.
- Use care as stains or marks from crayons or ink markers will be difficult to remove.
- Immediately clean red wine or soda stains within 30 minutes or the surface will stain.

Troubleshooting

Problem	Possible Cause	Solution
The vanity is tilted.	The wall mounted hardware/cleats are not level.	Reinstall the wall mounted hardware/cleats to ensure they are level.

Service Parts

MODEL TYPE



Part	Description	Quantity
A	Flip Box	2
B	Backsplash	1
C	Small Drawer	2
D	Large Box	2
E	Flip Panel	2

Part	Description	Quantity
AA	Drawer Slides	4
BB	Hinge	4
CC	Left Flap Hinge	1
DD	Right Flap Hinge	1
EE	Wood Screw	18
FF	Anchor	18
GG	Clear Bumper	4
HH	Door Stopper	2

HOME DECORATORS COLLECTION

Questions, problems, missing parts? Before returning to the store,
call Home Decorators Collection Customer Service
8 a.m. - 7 p.m., EST, Monday - Friday, 9 a.m.- 6 p.m., EST, Saturday

1-800-986-3460

HOMEDEPOT.COM/HOMEDECORATORS

Retain this manual for future use.