

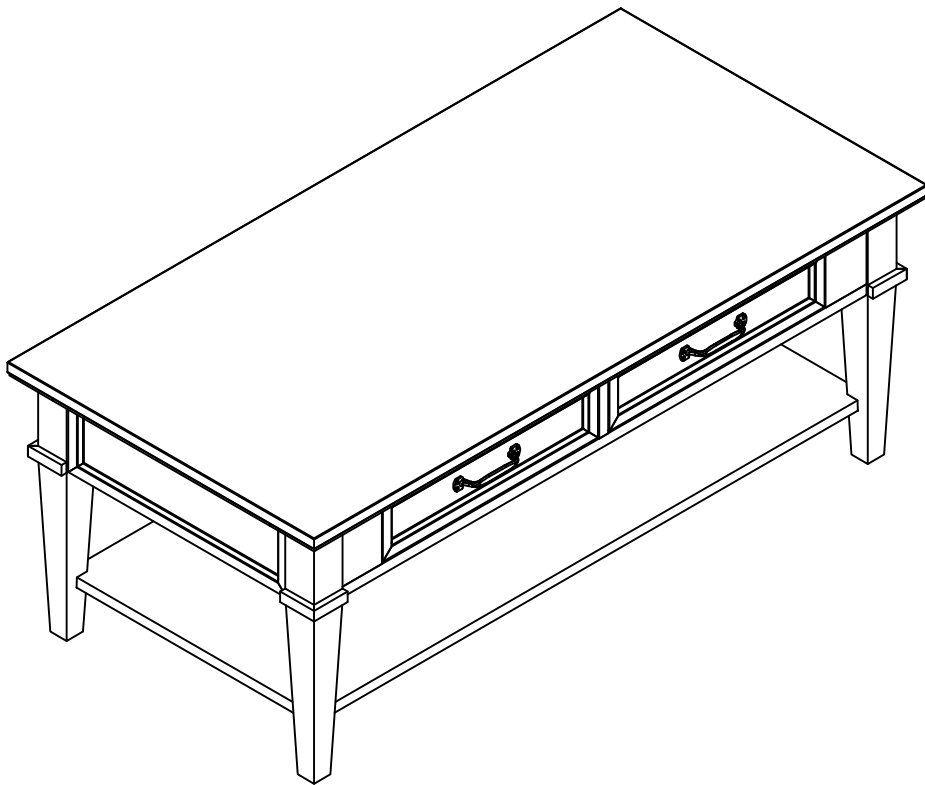
HOME DECORATORS COLLECTION

HDC#97150 MFG#M61267T1-IV/M61267T1-BL
MARTIN COFFEE TABLE

ASSEMBLY INSTRUCTIONS

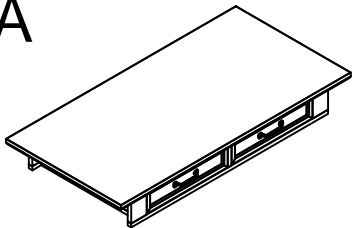
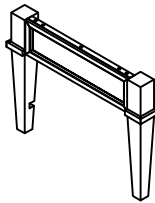
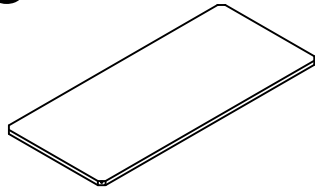
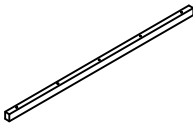
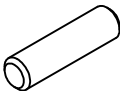
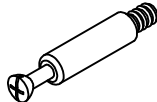
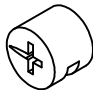
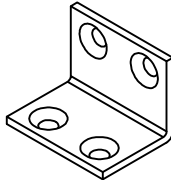


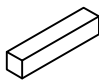
NOTE: BEFORE ASSEMBLY, PLEASE BE SURE TO WORK ON A SOFT
FLAT SURFACE TO AVOID ANY DAMAGE TO THE FINISH

Made In China

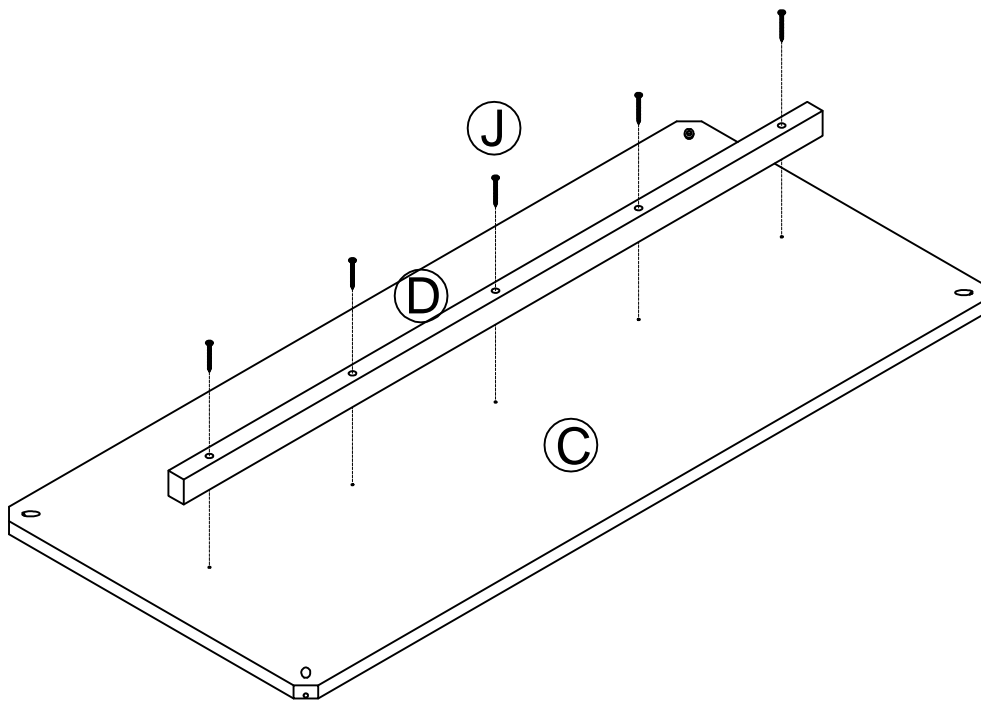


Thank you for purchasing this quality product. Be sure to check all packing material carefully for small parts, which may have come loose inside the carton during shipment, Count all parts and material hardware, then compare with parts list to be sure all parts are present. If any parts are missing or damaged, phone, fax, or mail to our Customer Service Department for efficient and speedy service . Please indicate the model number and code letter of part(s) needed.

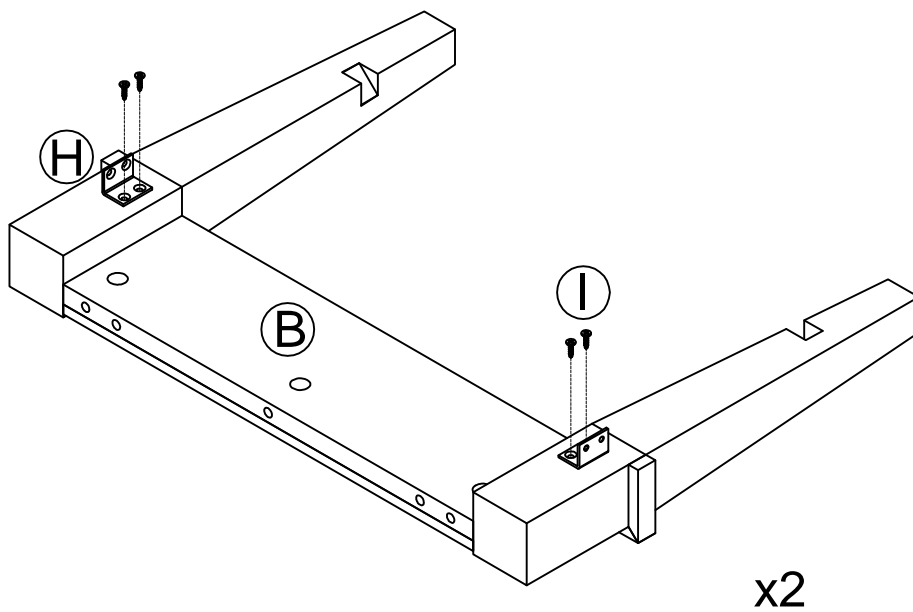
IMPORTANT NOTE: Follow instructions listed below in proper sequence as numbered to assure fast, easy and correct assembly.

PARTS LIST		
<p>A</p>  <p>TOP PANEL-1PC</p>	<p>B</p>  <p>SIDE FRAME-2PCS</p>	<p>C</p>  <p>SHELF-1PC</p>
<p>D</p>  <p>SUPPORTING RAIL-1PC</p>	<p>E</p>  <p>D8*30 WOOD DOWELS-4PCS</p>	<p>F</p>  <p>D15 CAM BOLTS-6PCS</p>
<p>G</p>  <p>D15 CAM LOCKS-6PCS</p>	<p>H</p>  <p>L BRACKET-4PCS</p>	<p>I</p>  <p>M3.5*15 SCREWS-16PCS</p>
<p>J</p>  <p>M3.5*30 SCREWS-9PCS</p>	<p>K</p>  <p>WOOD STOPPERS-2PCS</p>	

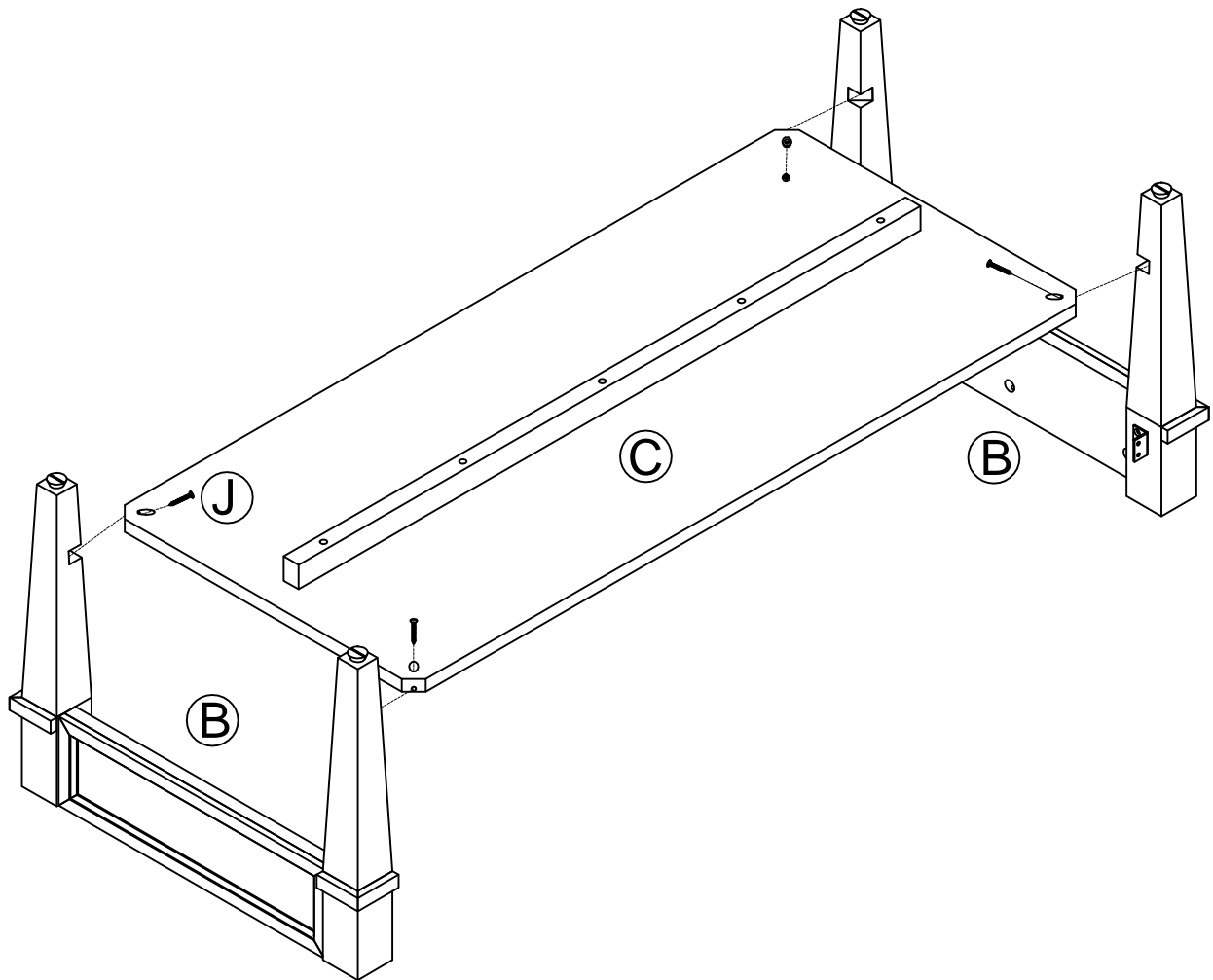
NOTE: THE SURFACE WITH THE STICKER IS THE BACK SIDE.



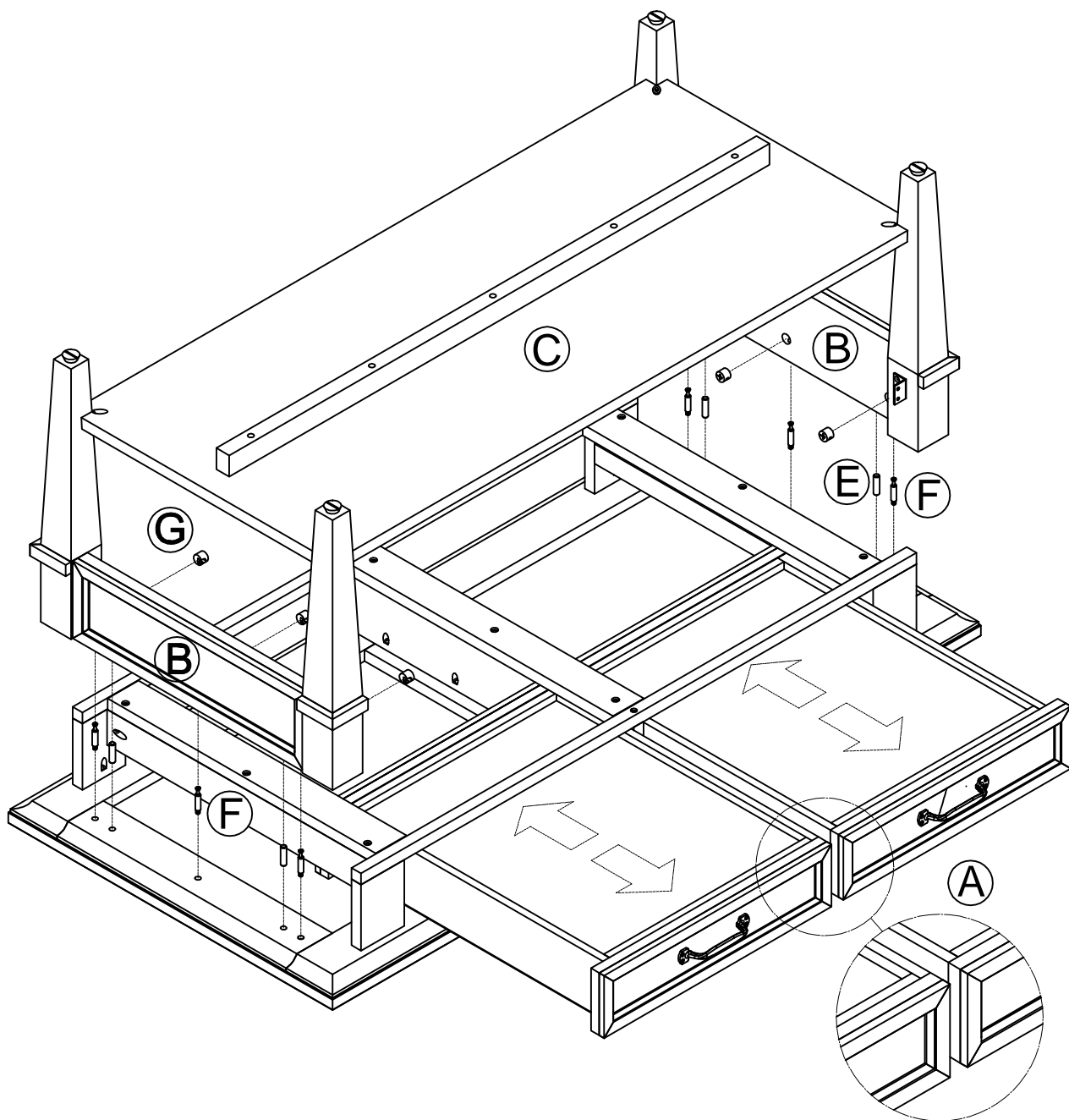
1). USE SCREWS (J) TO ATTACH SUPPORTING RAIL (D) TO SHELF (C) WITH SCREWDRIVER (NOT PROVIDED).



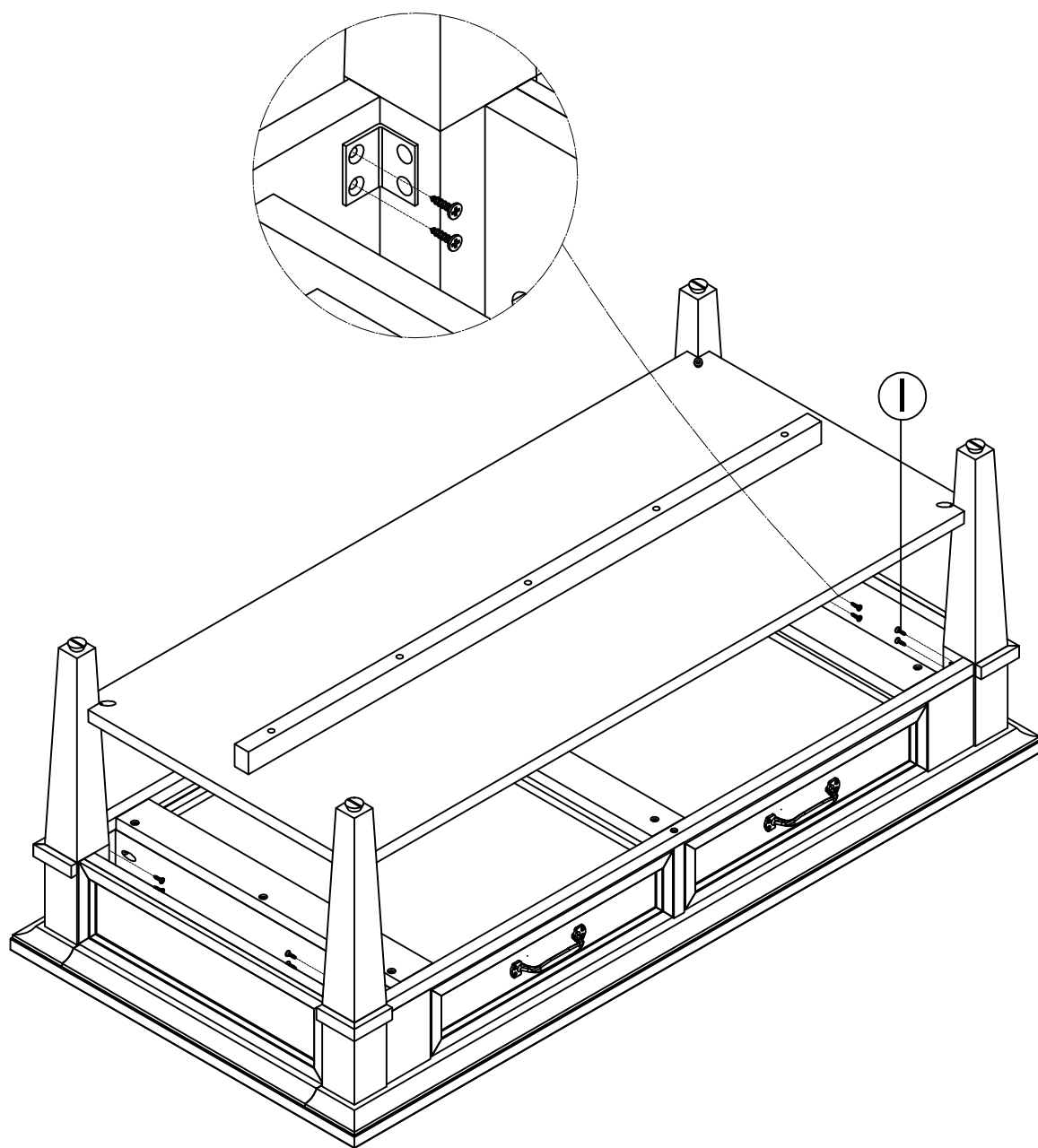
2). USE SCREWS (I) TO ATTACH L BRACKET (H) TO SIDE FRAME (B) WITH SCREWDRIVER (NOT PROVIDED).



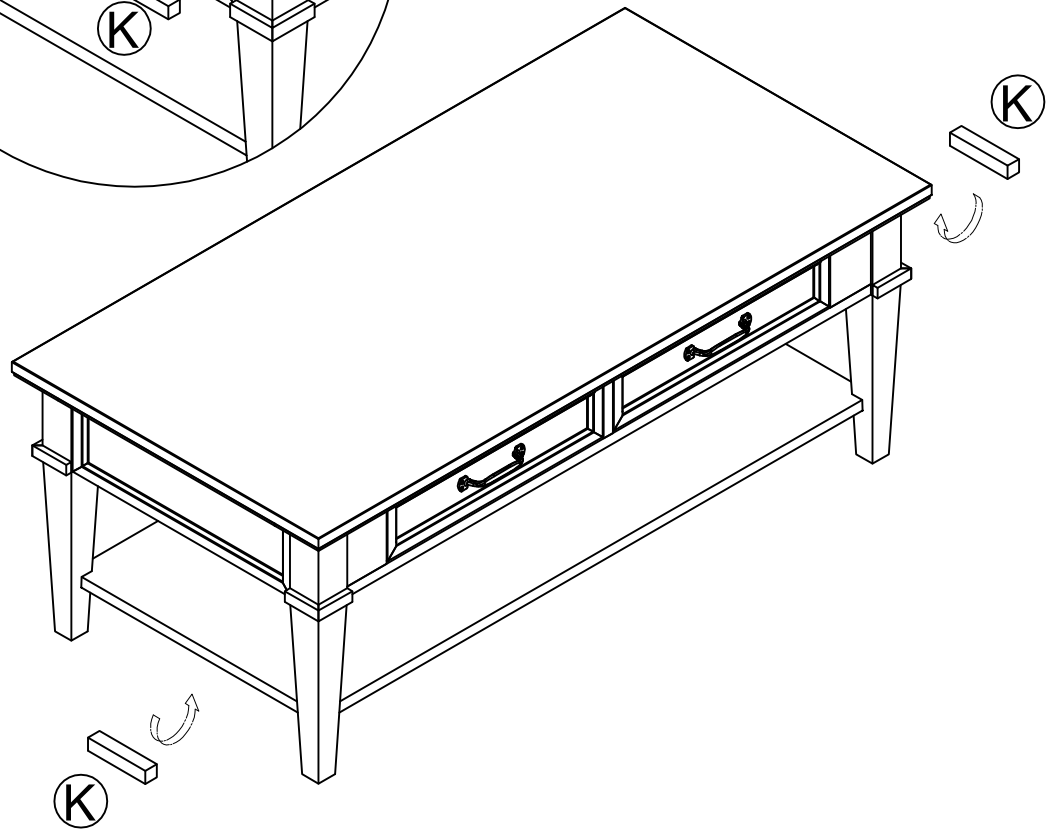
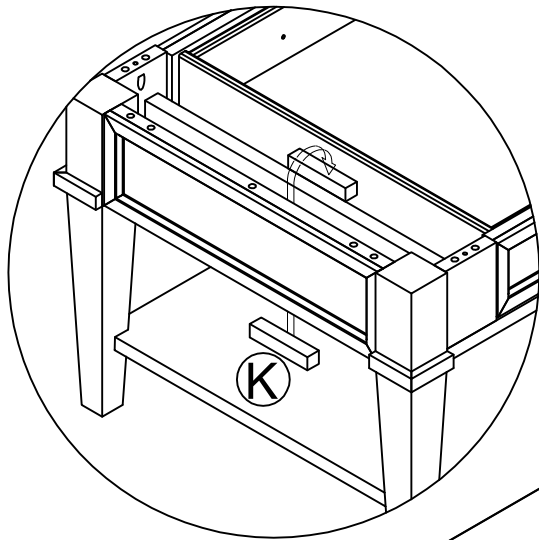
3). USE SCREWS (J) TO CONNECT SHELF (C) WITH SIDE FRAMES (B) WITH SCREWDRIVER (NOT PROVIDED).



4). POSITION SIDE FRAMES (B) TO TOP PANEL (A) BY USING WOOD DOWELS (E), CAM BOLTS (F) AND CAM LOCKS (G) WITH SCREWDRIVER (NOT PROVIDED).



5). USE SCREWS (I) TO FIX L BRACKET (H) TO TOP PANEL (A) WITH SCREWDRIVER (NOT PROVIDED).



5). INSERT THE WOOD STOPPERS (K) INTO THE GROOVES OF TOP PANEL (A).