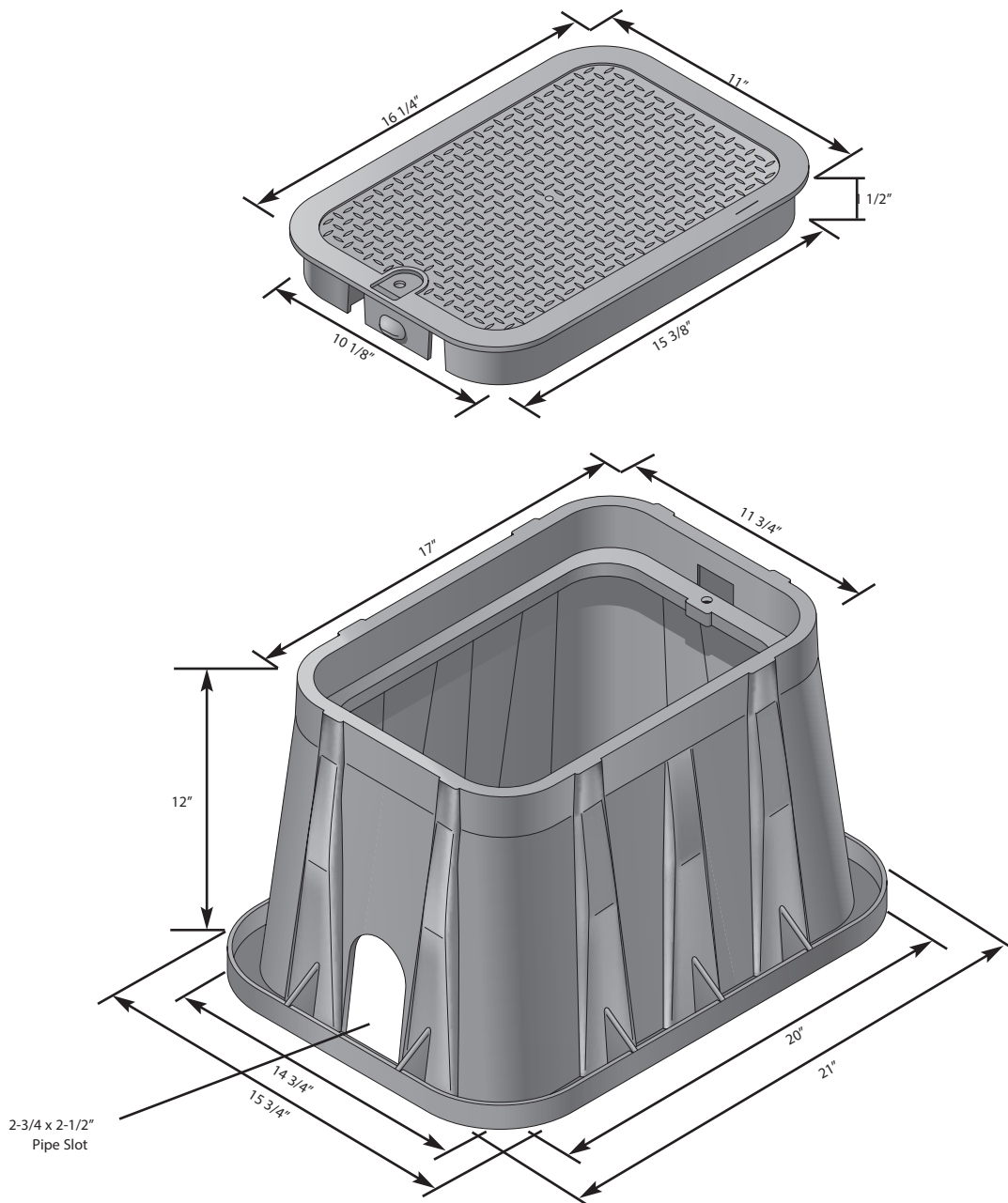


NDS Pro Series Plus 14"x 19" Rectangular Valve Boxes

314BC, 14" x 19" Standard Sized Valve Box

The NDS 314BC is a 14" x 19" rectangular high performance structural foam polyethylene valve box with locking brass insert, structural corrugated ribbed sidewall, overlapping lip cover, and UV inhibitor. Optional locking stainless steel bolt available.



Part Number Box & Cover	Box Description	Cover Description - Marking	Color Box/Cover	Weight Ea.
314B	14"x19" box	14"x19" Overlapping Cover - ICV	Green/Green	7.30
314BC SAND	14"x19" box	14"x19" Overlapping Cover - ICV	Sand/Sand	7.30
314PBCR	14"x19" box	14"x19" Overlapping Cover - Reclaimed Water	Purple/Purple	7.30
314BCRBLK	14"x19" box	14"x19" Overlapping Cover - Reclaimed Water	Black/Black	7.30
314BC ARNB	14"x19" box	14"x19" Overlapping Cover - Recycled Water (Spanish)	Black/Black	7.30
Cover Only				
313C		14"x19" Overlapping Cover - ICV	Green	2.30
313C SAND		14"x19" Overlapping Cover - ICV	Sand	2.30
313CR		14"x19" Overlapping Cover - Reclaimed Water	Purple	2.30
313CRG		14"x19" Overlapping Cover - Reclaimed Water	Green	2.30
Box Only				
314B	14"x19" box		Green	5.00
314B SAND	14"x19" box		Sand	5.00
314PB	14"x19" box		Purple	5.00

Call for additional options and availability

Properties of unfoamed resin	ASTM Test Method	Polyethylene
Tensile Strength, Yield	ASTM D 638	3400 psi
Density	ASTM D 792	95 g/cc min
Durometer, Shore D	ASTM D 2240	55 min
Flexural Modulus	ASTM D 790	140,000 PSI min
Notched Izod Impact Strength @ 23 degrees C.	ASTM D 256	- 1.5 ft lb/in min
Heat Deflection Temperature @ 66 PSI, Degrees F.	ASTM D 648	150° F

Shipping Configuration		
	Box	Cover
Pallet	84	300
Pieces per Stack	14	30
Stack per Pallet	6	10
Pallet Dimensions	43x48x53	40x50x66



NDS Customer Service

851 N. Harvard Ave
Lindsay, CA 93247

Phone: (800) 726-1994
(559) 562-9888

Fax: (800) 726-1998
(559) 562-4488

www.NDSPRO.com