

Features

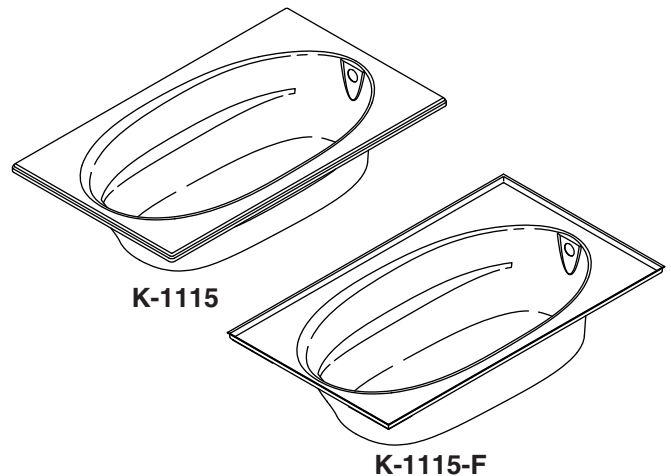
- Acrylic
- Rectangular shape
- Molded lumbar supports and armrests
- Drop-in, 4-side integral flange
- 72" (1829 mm) x 42" (1067 mm) x 21" (533 mm)

Codes/Standards Applicable

Specified model meets or exceeds the following:

- CSA B45.5/IAPMO Z124
- ASTM E162
- ASTM E662

BATH
K-1115
ALSO K-1115-F



Colors/Finishes

- 0: White
- Other: Refer to Price Book for additional colors/finishes

Accessories

- CP: Polished Chrome

Specified Model

Model	Description	Colors/Finishes	
K-1115	Bath – drop-in, rim style	<input type="checkbox"/> 0	<input type="checkbox"/> Other _____
K-1115-F	Bath – drop-in, 4-side integral flange	<input type="checkbox"/> 0	<input type="checkbox"/> Other _____
Recommended Accessory			
K-7166-AF	Clearflo pop-up drain OR	<input type="checkbox"/> CP	<input type="checkbox"/> Other _____
K-11677	Swiftflo pop-up drain	<input type="checkbox"/> CP	<input type="checkbox"/> Other _____

Product Specification

The acrylic bath shall be 72" (1829 mm) in length, 42" (1067 mm) in width, and 21" (533 mm) in height. Bath shall be drop-in or drop-in with 4-side integral flange (-F). Bath shall have molded lumbar supports and armrests. Bath shall be Kohler Model K-1115-____ or K-1115-F-____.

WINDWARD™

Technical Information

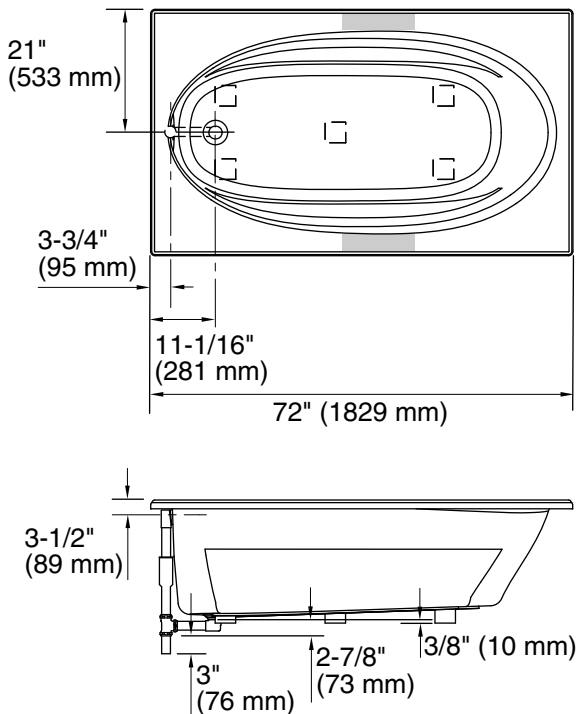
Fixture*:	
Basin area:	
Bathing well, bottom	55" (1397 mm) x 23-1/4" (591 mm)
Bathing well, top	64" (1626 mm) x 32" (813 mm)
Weight	100 lbs (45 kg)
To overflow:	
Water depth	15" (381 mm)
Capacity	78.5 gal (297 L)
* Approximate measurements for comparison only.	
Drop-in cut-out dimensions:	70-1/2" (1791 mm) x 40-1/2" (1029 mm)

Installation Notes

Install this product according to the installation guide.

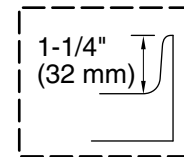
Floor support under the bath must provide for a minimum of 38 lbs/square foot (186 kg/square meter) loading.

If installing a rim-mount faucet, make sure there is no interference with the drain overflow before drilling any holes. Consult local and national codes for minimum air gap requirements if installing a spout on the faucet deck.

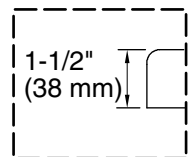


No change in measurements if connected with drain illustrated. (K-11677)

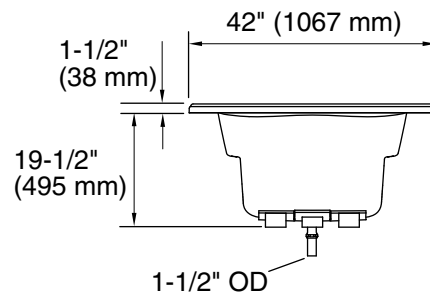
■ Recommended faucet area



Tile Flange Detail



Drop-In Rim Detail



Product Diagram