

Glacier Bay Warnick Series Towel Ring

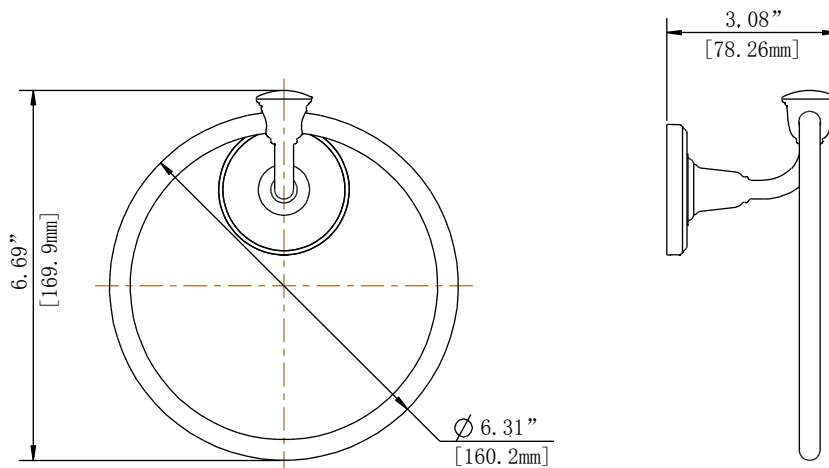
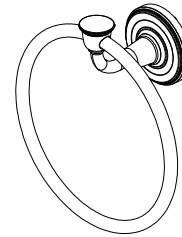
MODEL	SKU#	FINISH
20015-0504	304136423	Brushed Nickel
20015-0527D	304136396	Bronze

FEATURES

- 6.31"L x 6.69"W x 3.08"H
- Coordinates with Warnick Series Bath Products
- Easy Installation
- Includes Mounting Hardware and Plastic Anchors
- Tools Required for Installation:
 - Drill with 1/4" Drill Bit
 - Philips Screwdriver
 - Small Flat Head Screwdriver

WARRANTY

- Limited Lifetime Warranty



INSTALLATION DIMENSIONS

Glacier Bay reserves the right to make changes in specifications and materials and to change and discontinue models, both without the notice or obligation. Dimensions are for reference only.