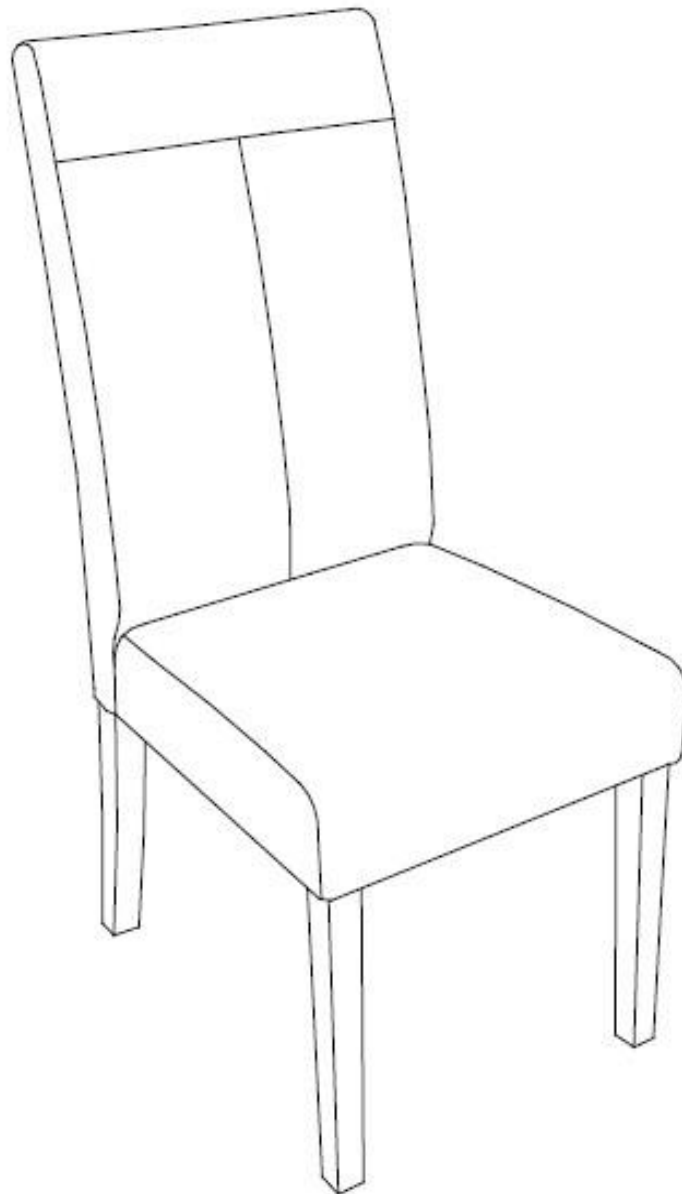


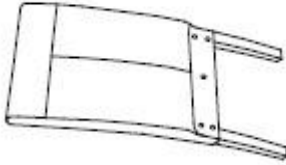
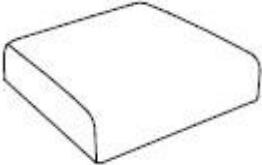

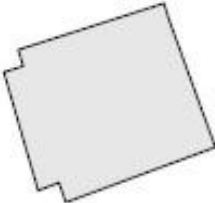
Assembly Instructions

Caution: You must read this before you proceed.





Dining Chair



Parts List

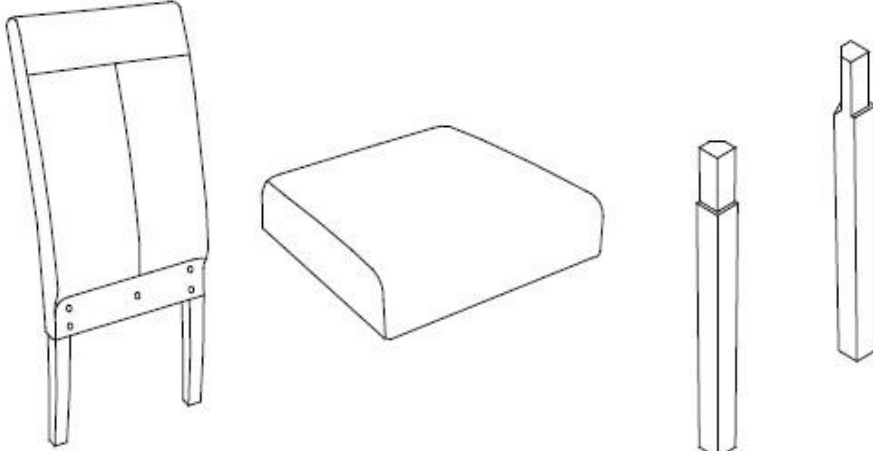
Label	Picture	Description	QTY
A		Chair Back	1
B		Chair Seat	1
C		Wooden Leg	2
D		Non-woven	1

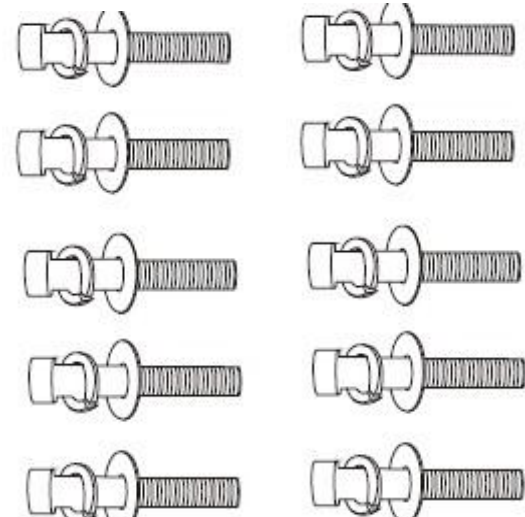
Hardware


Label	Picture	Description	QTY
a		Bolt M8X60	10
b		Spring Washer Ring	10
c		Flat Washer Ring	10
d		Allen Key	1






Assembly Preparation

Before Beginning Assembly:

<p>Unpack all the parts for a clear overview</p>	
--	--

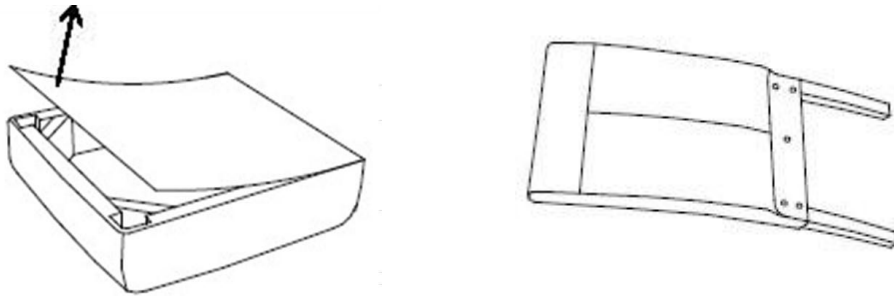
<p>Pack A</p>	<p>M8X60mm bolts - 10pcs matching with 10pcs of Flat Washer Ring and matching with 10pcs Spring washer</p>	
----------------------	--	---

<p>Allen Key</p>	
-------------------------	--

- 
• Read instructions, cover to cover-
- 
• Have 2 adults on hand for assembly-
- 
• Do not assemble on flooring or carpet-
- 
• Assemble on a clean non-marring surface (packing foam)-
- 
• Save all packaging until finished-

Assembly Steps

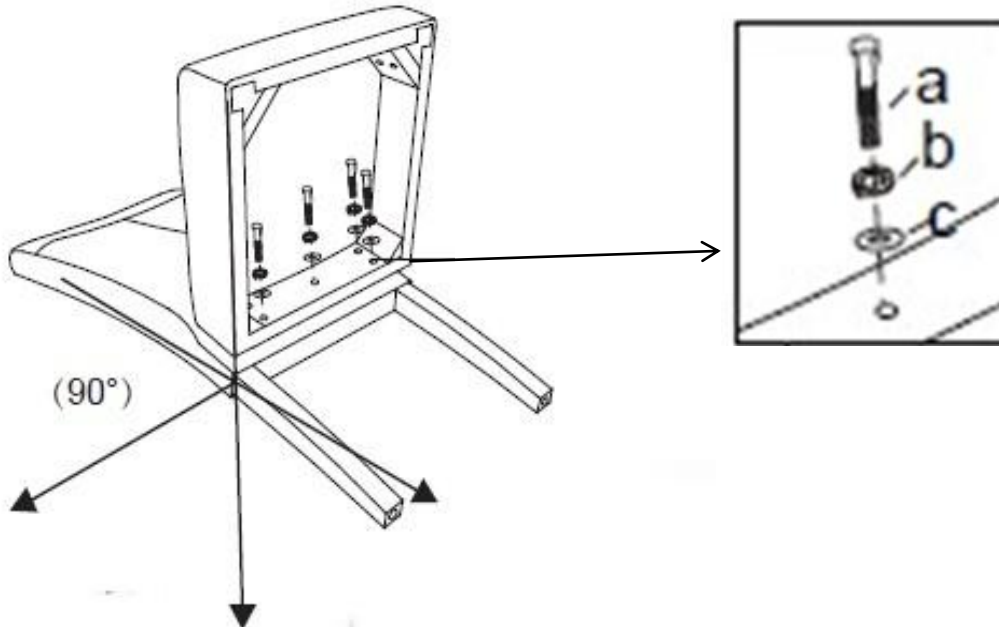
Step 1



Place the chair back(A) on a soft surface to avoid any scratches on the products.

Take out the 2 wooden legs and 1 hardware box.

Step 2

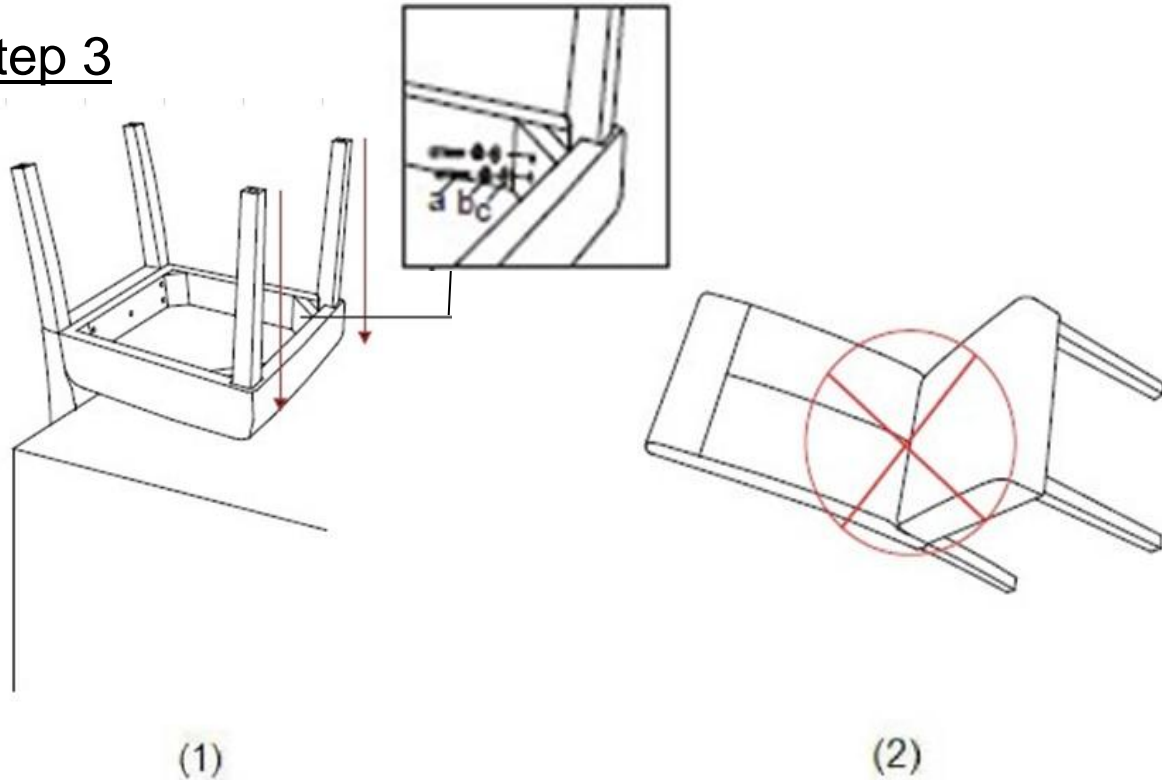


Put the chair back(A) onto a flat table or panel,align the holes on chair back(A) to the holes on chair seat frame.

Use your left hand to push the seat frame bottom horizontally forwards for ensuring the chair seat(B) is vertical to the chair back(A) without gap between them.

With your right hand,lock the middle hole & the corner holes by using 5 bolts (a)+ 5 flat washers(c) + 5 spring washers (b) with an Allen key(d),but don't fasten the connection too tight.

Step 3

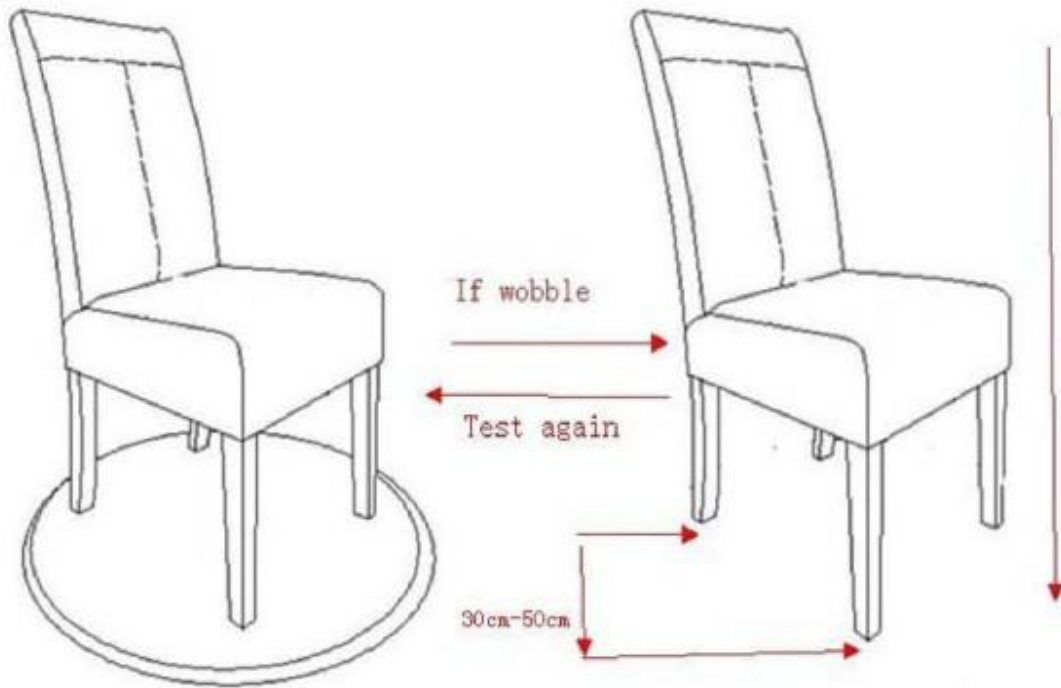


With the chair bottom up, place the seat surface on a flat table top as shown in picture 1 . Insert each front leg completely vertically into each seat frame corner, **PRESS FIRMLY DOWN** with your hand until there is no gap between the front leg and the seat cushion.

WARNING!! DO NOT POSITION THE FRONT LEG AS SHOWN IN PICTURE 2 , WHICH SHOWS THE CHAIR BACK STAYS AGAINST THE GROUND and THE FRONT LEGS LIES HORIZONTALLY.

Now tighten the bottom bolt at first, then the blot on the top by using 4 bolts(a)+4 flat washers(c)+4 spring washers (b) with your hands, please do not tighten the top bolt first, **WARNING!! DO NOT OVER TIGHTEN. OVER TIGHTENING COULD LEAD TO DAMAGE OF THE PRODUCT. TIGHTEN ONLY UNTIL SECURE AND STABLE.**

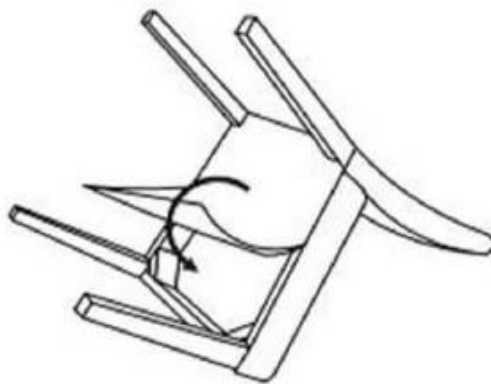
Step 4



Place the chair on a LEVEL SURFACE to see if it is wobbling. If it is, hold the chair with your two hands and hang it at 30cm to 50cm height from the ground. Drop it freely and vertically with the four legs falling on the ground at the same time. Test again to see if the chair is wobbling on the LEVEL SURFACE.

Now tighten all the bolts until the chair is not wobbling on the LEVEL SURFACE. **WARNING!! IF CHAIR IS NOT STABLE, IT COULD LEAD TO DAMAGING THE PRODUCT.**

Step 5



Place the velcro non-woven fabric cover back underneath the chair seat from where it was removed from originally.

Care & Maintenance



- Do not put hot items directly on furniture surface.



- Do not clean furniture with harsh cleansers or polish.



- Do not place furniture under direct sunlight.



- Do not place furniture near heating or cooling vents.



- Do not write on furniture without a padded barrier to protect the surface.



- Do not place furniture outside. For indoor use only.



- Not for commercial use. For residential use only.



- Stains may be removed with mild soap solution and damp cloth.



- Dust and pick-up spills using a clean, non-colored, lint-free cloth.