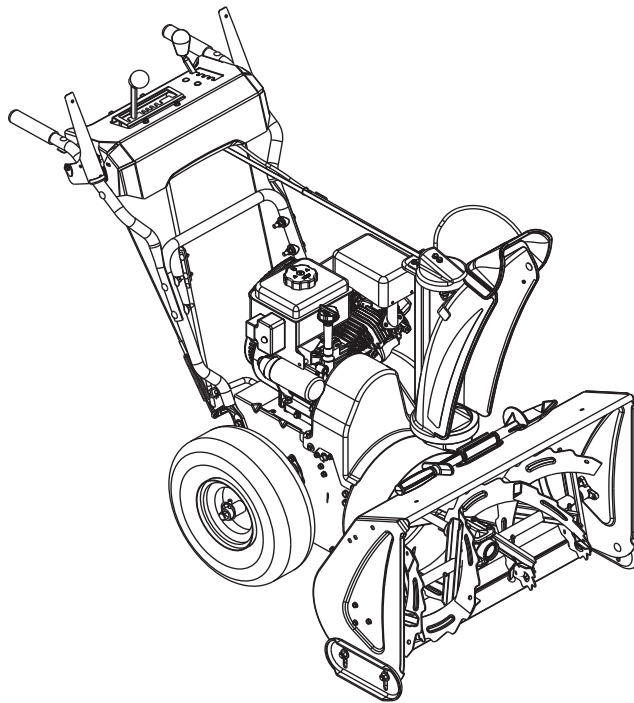




Parts Manual

Models

- 920402 – Sno-Tek 24 (Serial No. 075000 and up)
- 920403 – Sno-Tek 28 (Serial No. 075000 and up)
- 920313 – Sno-Tek 24 (Serial No. 000101 and up)
- 920314 – Sno-Tek 28 (Serial No. 000101 and up)
- 920315 – Sno-Tek 22 (Serial No. 000101 and up)



Gasoline containing up to 10% ethanol (E10) or up to 10% MTBE (methyl tertiary butyl ether) is acceptable for use in this machine. The use of any gasoline exceeding 10% ethanol (E10) or 10% MTBE will void the product warranty.

Il est possible d'utiliser de l'essence contenant jusqu'à 10% d'éthanol (E10) ou 10% de MTBE (éther méthyl-tertiobutylique) sur cette machine. L'utilisation d'une essence contenant plus de 10% d'éthanol (E10) ou de 10% de MTBE annulent la garantie.

En esta máquina puede utilizarse gasolina con hasta un 10% de etanol (E10) o hasta un 10% de MTBE (éter de metil butil terciario). El uso de cualquier otro tipo de gasolina con un porcentaje superior al 10% de etanol (E10) o al 10% de MTBE invalidará la garantía del producto.

THE MANUAL

Before you operate your unit, carefully and completely read manuals supplied with the unit. The contents will provide you with an understanding of safety instructions and controls during normal operation and maintenance.

For your safety and the safety of others always read, understand, and follow all DANGER, WARNING, and CAUTION messages found in manuals and on safety decals.

Hardware descriptions are given in decimals.

Decimals to Fractions			
.063	1/16	.563	9/16
.125	1/8	.625	5/8
.188	3/16	.688	11/16
.250	1/4	.750	3/4
.313	5/16	.813	13/16
.375	3/8	.875	7/8
.438	7/16	.938	15/16
.500	1/2	1.00	1

SERVICE AND REPLACEMENT PARTS

When ordering replacement parts or making service inquiries, know the Model and Serial numbers of your unit and engine.

Numbers are located on the product registration card in the unit literature package. They are printed on a serial number label, located on the frame of your unit.

- Record Unit Model and Serial numbers here:

- Record Engine Model and Serial numbers here:

UNAUTHORIZED REPLACEMENT PARTS

Use only Sno-Tek replacement parts. The replacement of any part on this vehicle with anything other than a Sno-Tek authorized replacement part may adversely affect the performance, durability, or safety of this unit and may void the warranty. Ariens disclaims liability for any claims or damages, whether warranty, property damage, personal injury or death arising out of the use of unauthorized replacement parts.

PRODUCT REGISTRATION

The Sno-Tek dealer must register the product at the time of purchase. Registering the product will help the company process warranty claims or contact you with the latest service information. All claims meeting requirements during the limited warranty period will be honored, whether or not the product registration card is returned. Keep a proof of purchase if you do not register your unit.

Customer Note: If Dealer does not register your product, please fill out, sign and return the product registration card to Ariens or go to www.ariens.com.

YOUR SATISFACTION IS IMPORTANT

Questions? Please follow these helpful steps:

1. Refer to the manuals supplied with your unit.
They will guide you through safe and proper operation and maintenance.
They contain specifications on your unit.
If your questions are not answered in these manuals, go to step number two.
2. Contact Your Dealer.
Our dealers will be happy to supply any service or advice required to keep your unit operating at peak efficiency.
A factory trained staff is available to support your equipment needs. They stock genuine Ariens parts and lubricants manufactured with the same precision and skill as the original.
If your questions are not resolved by the support staff, ask for the manager or owner.
When contacting your Dealer supply your model and serial numbers.

TO SPEED PARTS ORDERING:

1. Know the model and serial numbers of your unit.
2. Know the part number required.
3. Know the quantity required.
4. Know the part description.

MODELS

Domestic

Model 920402 (Sno-Tek 24)

24" Snow Thrower, Electric Start
Serial No. 075000 and up

Model 920403 (Sno-Tek 28)

28" Snow Thrower, Electric Start
Serial No. 075000 and up

International

Model 920313 (Sno-Tek 24)

24" Snow Thrower, Electric Start
Serial No. 000101 and up

Model 920314 (Sno-Tek 28)

28" Snow Thrower, Electric Start
Serial No. 000101 and up

Model 920315 (Sno-Tek 22)

22" Snow Thrower, Electric Start
Serial No. 000101 and up

TABLE OF CONTENTS

DECALS

Decals 4

ENGINE AND DRIVE

Engine and Belt Drive 6

Friction Drive 8

Gear Case and Impeller 10

FRAME AND HOUSING

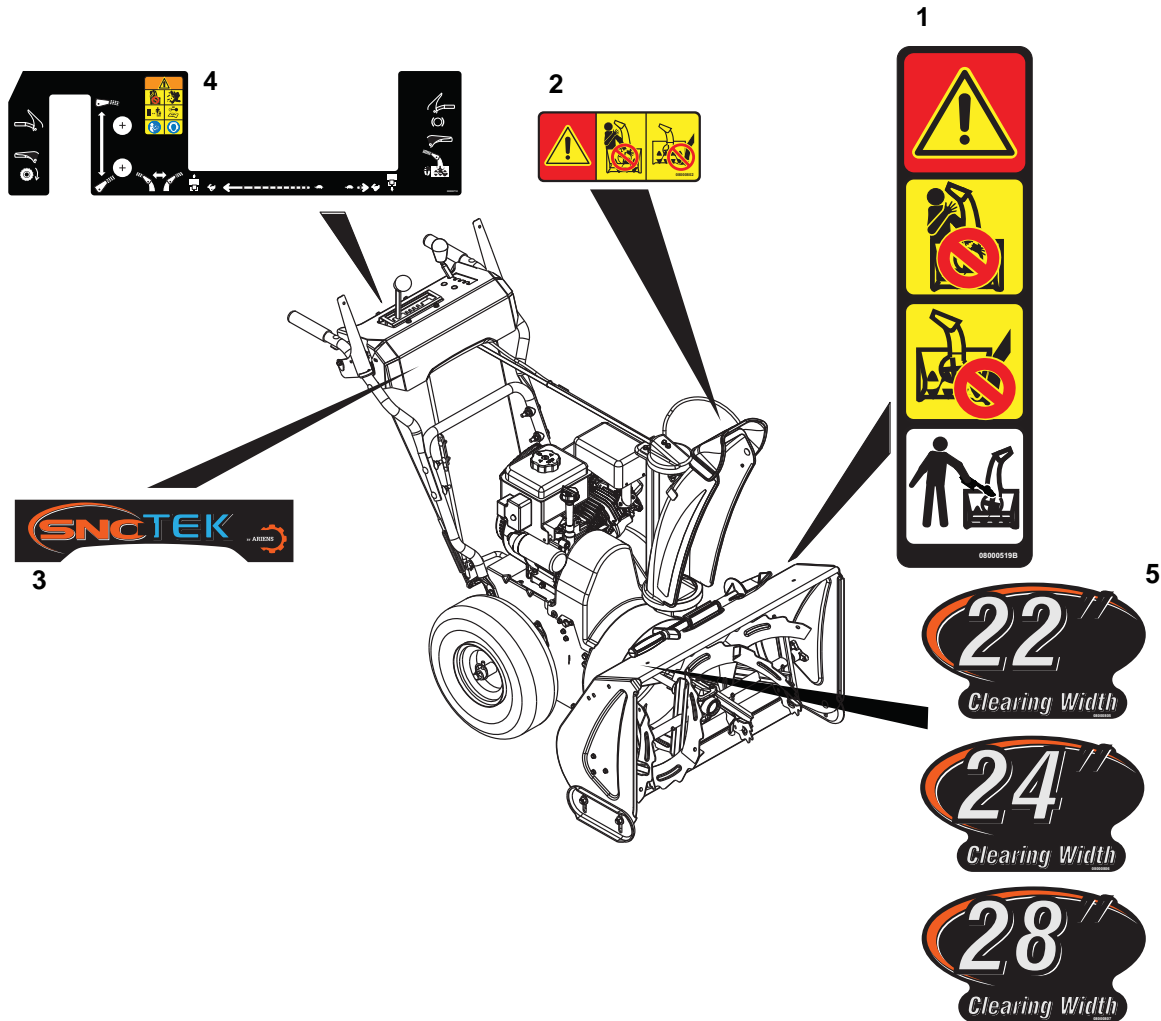
Handlebars and Controls 12

Auger and Chute 14

Discharge Chute Crank 16

DECALS

Model 920402, 403,313, 314, 315

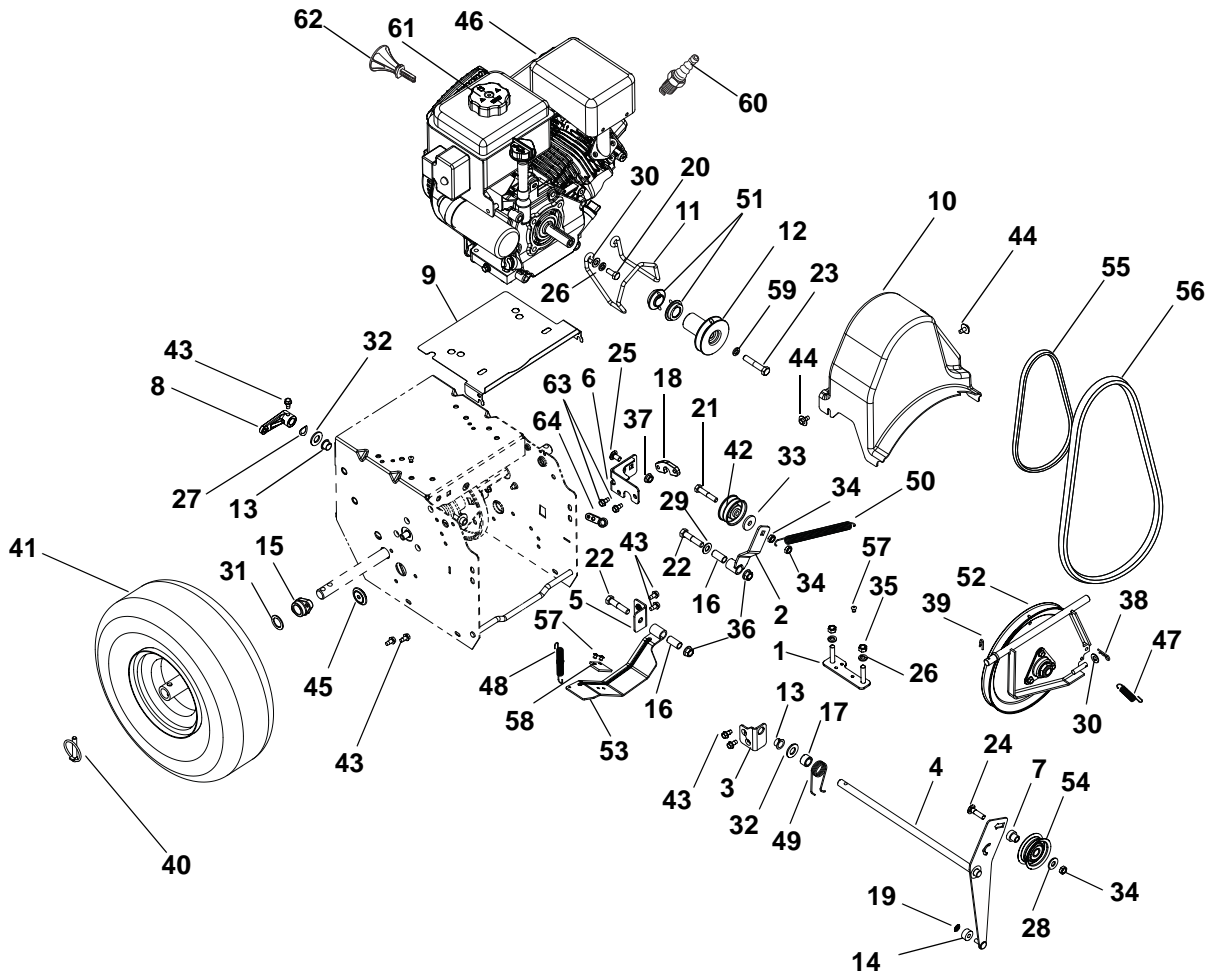


Item	Part No.	Qty.	Description
1	08000519	1	Decal, Danger, Rotating Parts
2	08000802	1	Decal, Danger
3	08000803	1	Decal, Dash
4	08000712	1	Decal, Control (920402, 403, 314)
	08000711	1	Decal, Control (920313, 315)
5	08000806	1	Decal, Housing, 24 (920402, 313)
	08000807	1	Decal, Housing, 28 (920403, 314)
	08000805	1	Decal, Housing, 22 (920315)

NOTES

ENGINE AND BELT DRIVE

Model 920402, 403, 313, 314, 315



Item	Part No.	Qty.	Description
1	00188400	2	Strap, Engine Bolt
2	00493600	1	Arm, Traction Idler
3	00495051	1	Bracket, Mount, Idler Arm
4	00495167	1	Idler Arm
5	00495251	1	Bracket, Brake Mount
6	00657051	1	Frame Bracket
7	01213100	1	Spacer
8	01987100	1	Arm, Clutch
9	03880851	1	Baffle
10	03881000	1	Cover, Belt
11	03881600	1	Finger, Belt (920402, 403, 313, 314)
	03731800	1	Finger, Belt (920315)
12	04209700	1	Sheave, Auger (920402, 403, 313, 314)
	00493400	1	Sheave, Auger (920315)
13	05500026	2	Bushing, Polyliner
14	05500037	1	Bushing, Sleeve
15	05500101	2	Bushing, Axle
16	05500106	2	Bushing, Sleeve
17	05500107	1	Bushing, Sleeve
18	05500113	1	Spacer
19	05717600	1	Retaining Ring, External .250 x .010

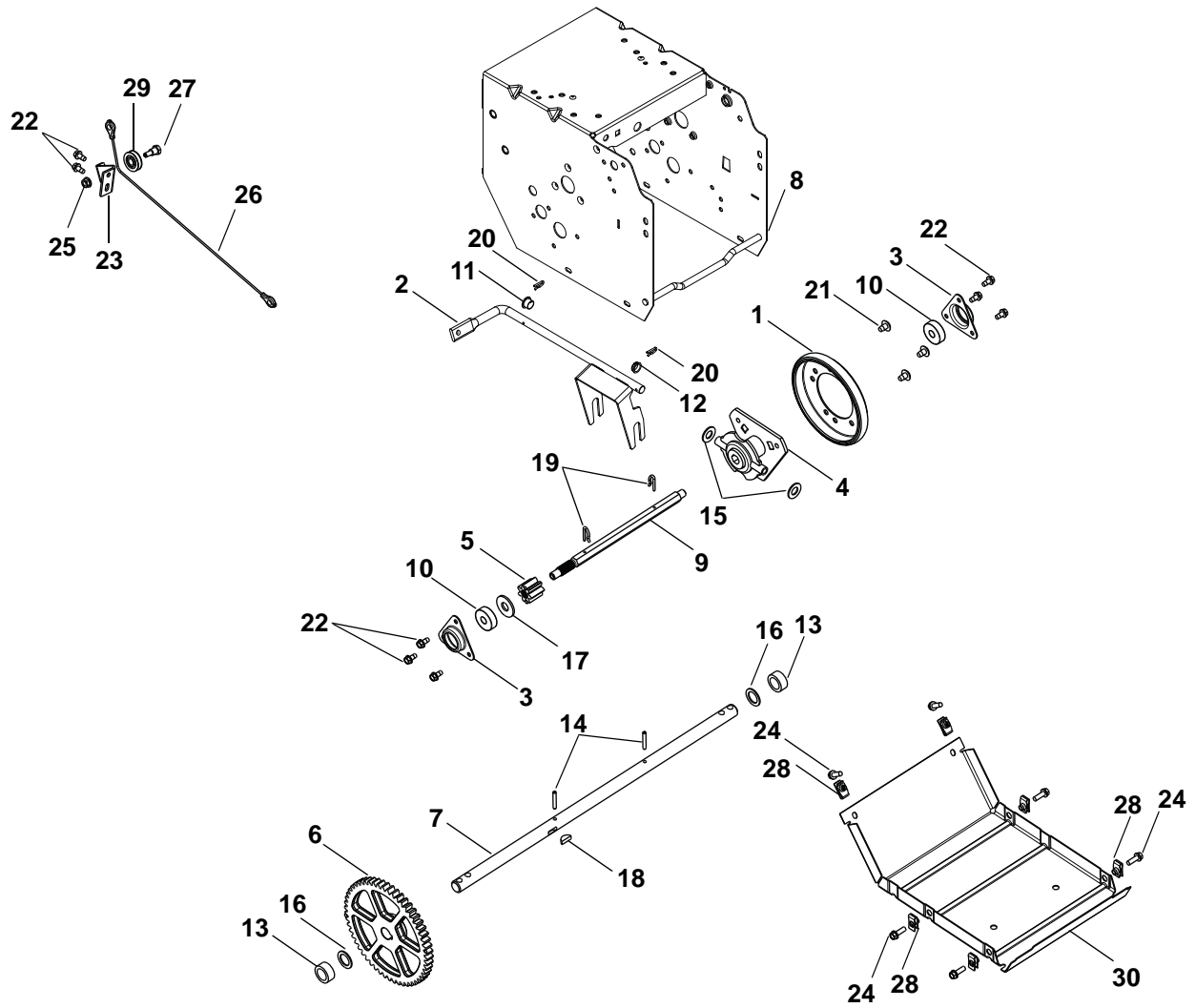
ENGINE AND BELT DRIVE

Model 920402, 403, 313, 314, 315

Item	Part No.	Qty.	Description
20	05947300	2	Bolt, Hex .31-24 x .75
21	05957400	1	Bolt, Hex .31-18 x 1.75
22	05958500	2	Bolt, Hex .38-16 x 1.75
23	05958600	1	Bolt, Hex .38-24 x 2.0
24	06200124	1	Bolt, Round Head Square Short Neck .31-18 x 1.13
25	06212200	1	Bolt, Round Head Square Short Neck .31-18 x .62
26	06307400	6	Washer, Lock .312 x .097
27	06400005	1	Washer, Wave
28	06435700	1	Washer, Flat Steel .38 x .875 x .083
29	06436200	1	Washer, Flat Steel .406 x .812 x .065
30	06437200	3	Washer, Flat Steel .344 x .688 x .065
31	06441400	2	Washer, Flat Steel .754 x 1.125 x .062 (920402, 313, 315)
	05500917	2	Bushing, Sleeve (920403, 314)
32	06441900	2	Washer, Flat Steel .531 x 1.06 x .095
33	06446300	1	Washer, Flat Steel .344 x 1.125 x .135
34	06500011	3	Nut, Locking Center Jam .31-18
35	06529200	4	Nut, Hex .31-18
36	06542000	2	Nut, Locking Top Flange .38-16
37	06543100	1	Nut, Locking Top Flange .31-18
38	06713500	1	Pin, Hair, Internal .08 x .18 x 1.18
39	06944800	1	Clip, Spring
40	07053700	2	Pin, Lock
41	07100812	2	Tire/Wheel, 15 x 5.00-6 K398A (920403, 314)
	07100815	1	Tire, 15 x 5.00-6 K398A (920403, 314)
	07100811	2	Tire/Wheel, 13 x 4.10-6 K398A (920402, 313, 315)
	07100814	1	Tire, 13 x 4.10-6 K398A (920402, 313, 315)
42	07300525	1	Idler
43	07400034	9	Screw, Tapping Hex Washer Head Thread Rolling .25-20 x .50
44	07400108	2	Screw, Tapping Captive .25-20 x .50
45	07500102	2	Plug, Hole
46	08200817	1	Engine, LCT Stormforce 208 120V (920402, 403)
	08200424	1	Engine, LCT Stormforce 208 240V (920313, 314)
	08200802	1	Engine, LCT Stormforce 136 240V (920315)
47	08300036	1	Spring
48	08300104	1	Spring
49	08300326	1	Spring
50	08300528	1	Spring
51	09735700	2	Traction Sheave Half
52	52105000	1	Plate, Swing Assembly
53	52000500	1	Arm, Brake w/Pad (Includes Items 57 and 58)
54	02457400	1	Idler
55	07200603	1	V-Belt
56	07200513	1	V-Belt (920402, 403, 313, 314)
	07238500	1	V-Belt (920315)
57	06800028	4	Rivet, Pop .187 (2 Included with Item 53)
58	00180500	1	Brake Pad (Included with Item 53)
59	06308800	1	Washer, Lock .38 x .094
60	21547400	1	Spark Plug
61	07500112	1	Fuel Cap
62	07500111	1	Key, Push/Pull – LCT
63	07414200	3	Screw, Tapping Hex Washer Head Thread Rolling .25-20 x .75
64	03374500	2	Bushing, Swing Gate

FRICION DRIVE

Model 920402, 403, 313, 314, 315



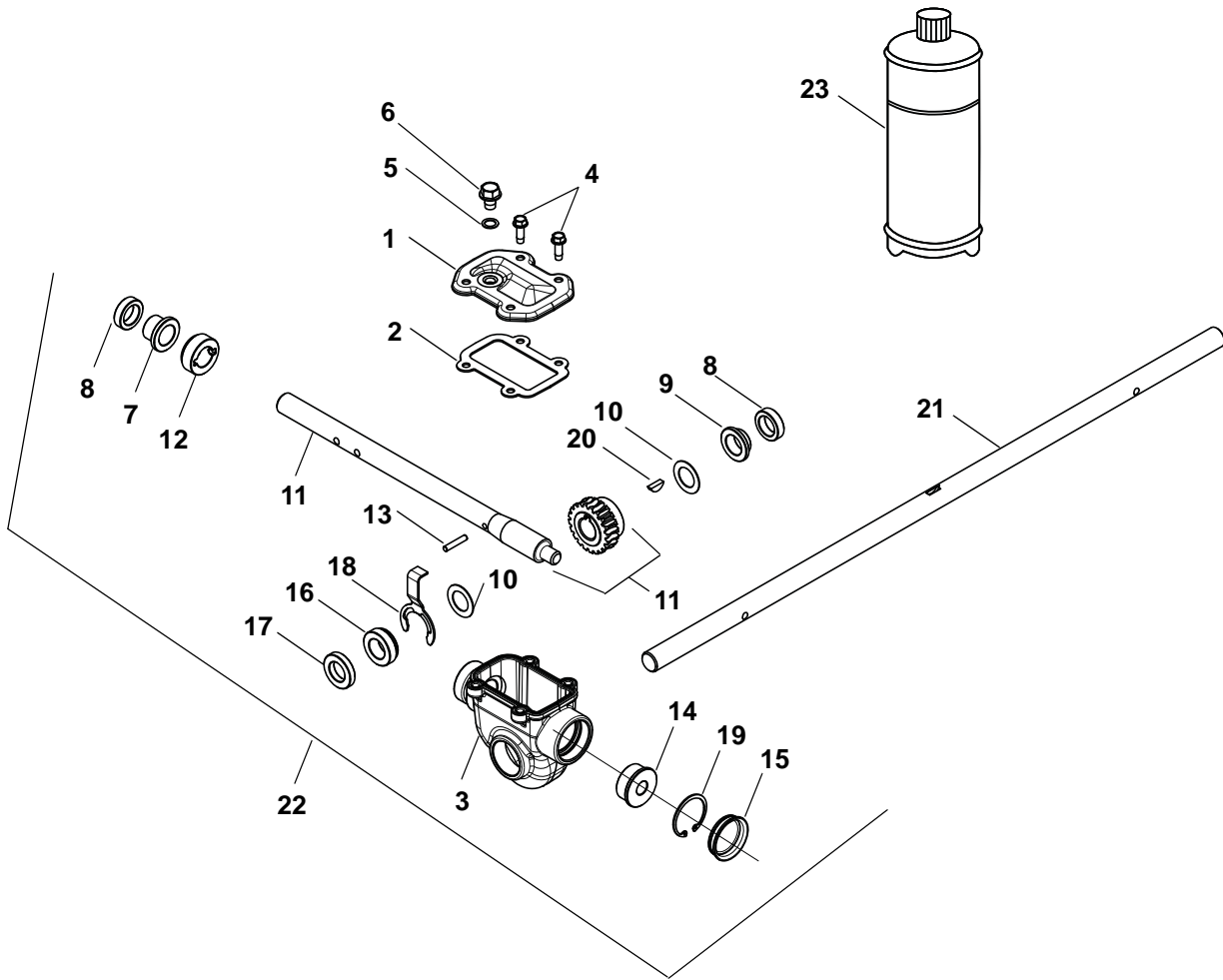
FRICION DRIVE

Model 920402, 403, 313, 314, 315

Item	Part No.	Qty.	Description
1	00170800	1	Friction Disc
2	00656951	1	Fork, Shift
3	00383000	2	Flange, Bearing
4	00383100	1	Carrier, Friction Disc
5	00493900	1	Gear
6	00657800	1	Gear
7	03881800	1	Shaft, Axle (920403, 314)
	00494200	1	Shaft, Axle (920402, 313, 315)
8	04393851	1	Frame
9	04149500	1	Shaft, Hex
10	05435200	2	Bearing
11	05500026	1	Bushing, Polyliner
12	05500028	1	Bushing, Polyliner
13	05500140	2	Bushing, Sleeve
14	05800300	2	Pin, Roll .188 x 1.25
15	06439200	2	Washer, Flat Steel .505 x 1.00 x .062
16	06441400	2	Washer, Flat Steel .754 x 1.125 x .062
17	06442000	1	Washer, Flat Steel .563 x 1.38 x .109
18	06601200	1	Key, Woodruff .25 x .750 x .313 SAE91
19	06714500	2	Pin, Spring Clip
20	06944800	2	Clip, Spring
21	07400009	3	Screw, Tapping Serrated Round Head Torx .31-18 x .50
22	07400034	8	Screw, Tapping Hex Washer Head Thread Rolling .25-20 x .50
23	00373051	1	Bracket, Cable Pulley
24	05900019	6	Bolt, Hex Washer Head .25-20 x .75
25	06543500	1	Nut, Locking Top Flange .25-20
26	06900504	1	Cable
27	07000021	1	Bolt, Shoulder
28	07009000	6	Nut, Retainer .25-20 x .56
29	07300012	1	Pulley, Cable
30	00492351	1	Bottom Cover

GEAR CASE AND IMPELLER

Model 920402, 403, 313, 314, 315



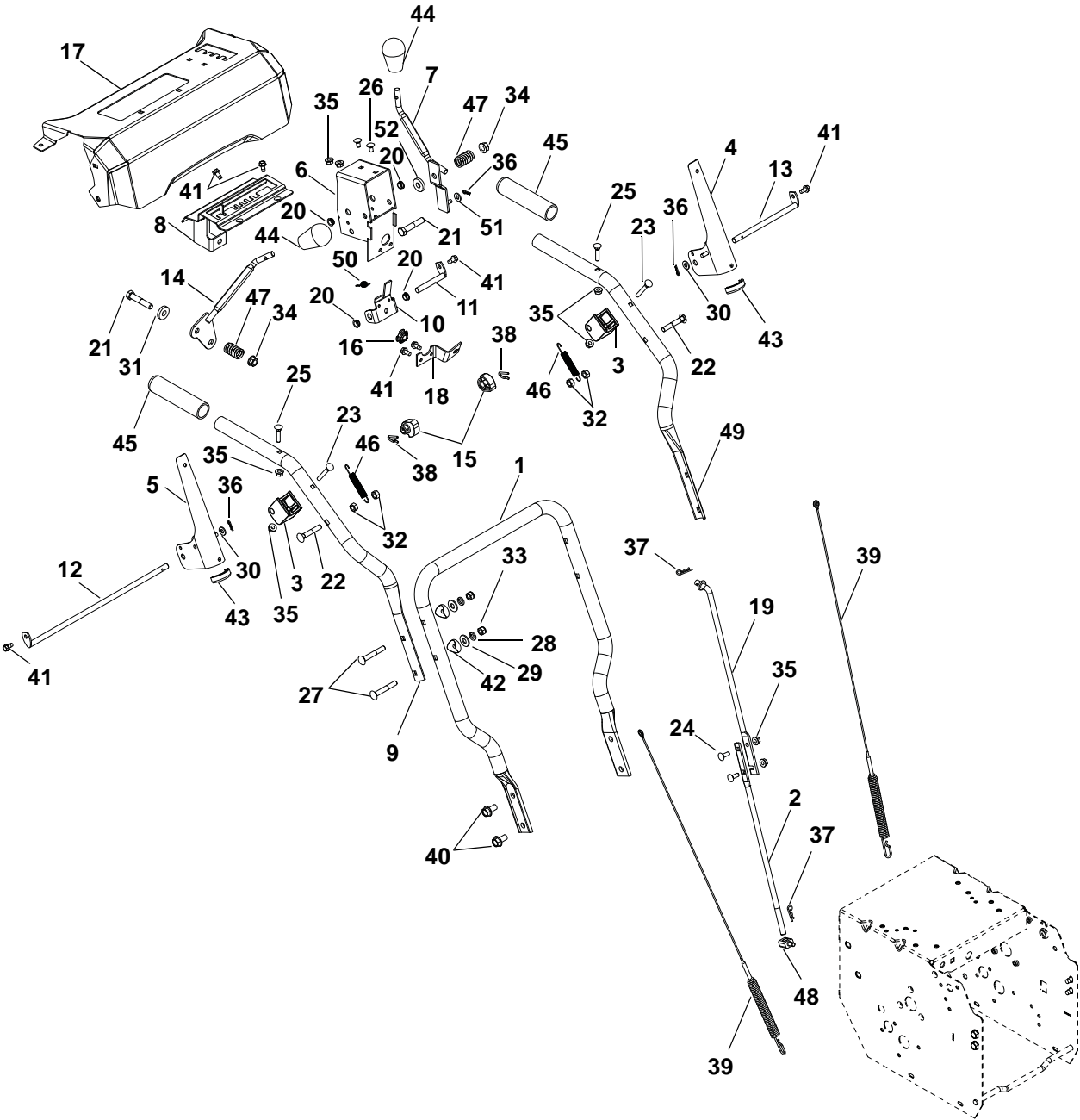
GEAR CASE AND IMPELLER

Model 920402, 403, 313, 314, 315

Item	Part No.	Qty.	Description
1	04280251	1	Cover, Top
2	04282400	1	Gasket
3	04304600	1	Gearcase
4	07414200	4	Screw, Tapping Hex Washer Head Thread Rolling .25-20 x .75
5	06400920	1	Washer, Seal
6	07400110	1	Screw, Tapping Hex Washer Head Rolock .38-16 x .50
7	05501020	1	Bushing, Flange
8	05600509	2	Seal, Oil
9	05501106	1	Bushing, Flange
10	06400912	2	Washer, Flat Steel .760 x 1.225 x .032
11	52003400	1	Worm Shaft and Worm Gear Set
12	04277000	1	Thrust Collar
13	05800207	1	Pin, Straight .188 x 1.00 6150
14	05501108	1	Bushing, Flange
15	04302800	1	Cover, Front
16	05501107	1	Bushing, Flange
17	05600508	1	Seal, Oil
18	04323600	1	Bushing Retainer
19	05700212	1	Ring, Retaining, Internal 1.500 x .050
20	06609300	1	Key, Woodruff .19 x .63 Hardened #61
21	04143400	1	Shaft, Rake, 28" (920403, 314)
	03885800	1	Shaft, Rake, 22" (920315)
	00263000	1	Shaft, Rake, 24" (920402, 313)
22	52003600	1	Gear Case Assembly 24" (Includes Items 1 – 21) (920402, 313)
	52005100	1	Gear Case Assembly 22" (Includes Items 1 – 21) (920315)
	52004000	1	Gear Case Assembly 28" (Includes Items 1 – 21) (920403, 314)
23	00068800	1	Gear Lube, 8 oz Bottle

HANDLEBARS AND CONTROLS

Model 920402, 403, 313, 314, 315



Item	Part No.	Qty.	Description
1	00597451	1	Handlebar, Lower
2	04425767	1	Rod, Shift, Lower
3	04310100	2	Clutch Paddle Block
4	04310451	1	Clutch Handle, Left Hand
5	04310551	1	Clutch Handle, Right Hand
6	04316651	1	Bracket Interlock
7	04317300	1	Lever, Deflector (920402, 403, 314)
8	04317751	1	Detent Plate
9	04318351	1	Handlebar, Upper, Right Hand
10	04320400	1	Interlock Arm

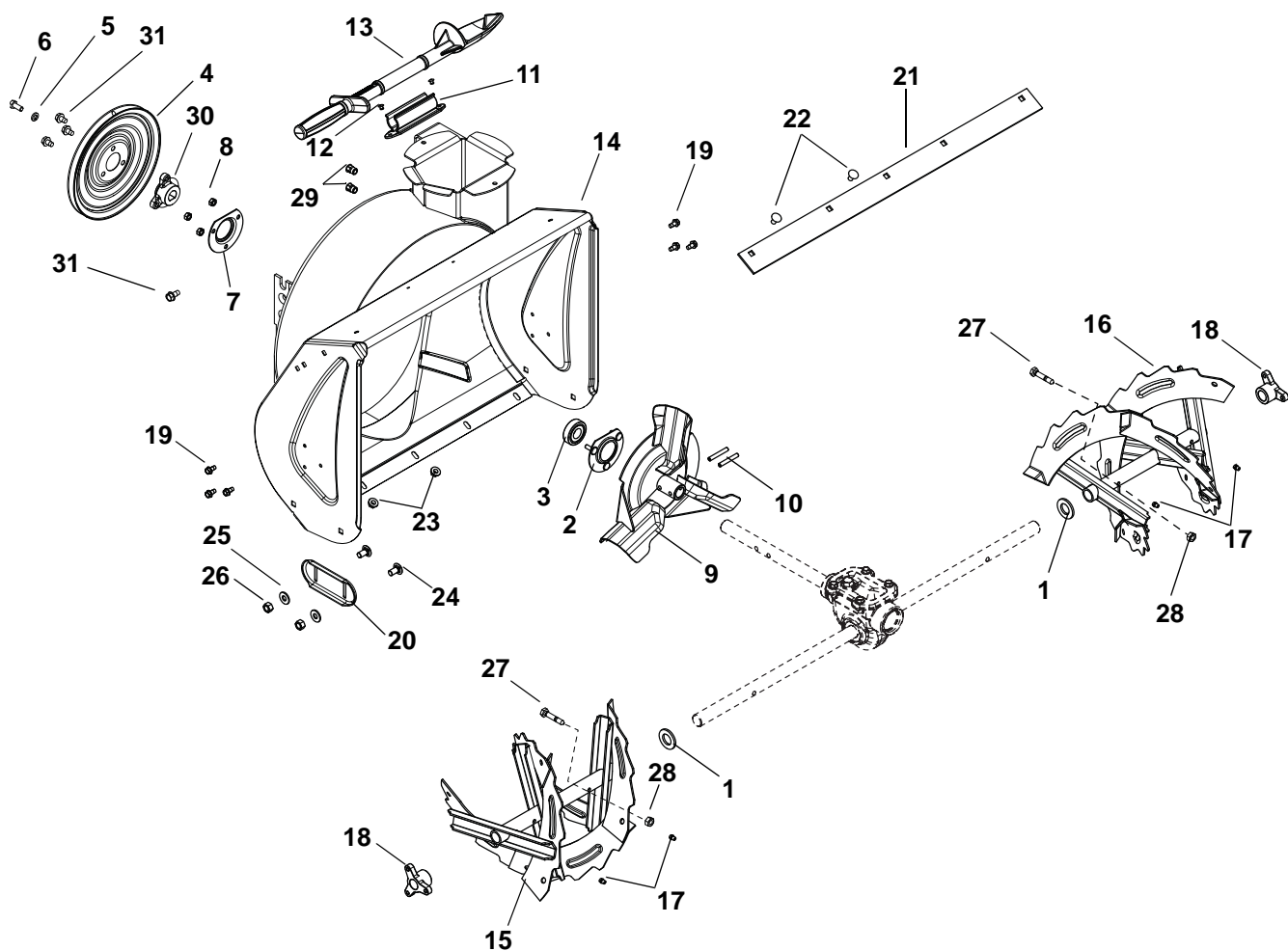
HANDLEBARS AND CONTROLS

Model 920402, 403, 313, 314, 315

Item	Part No.	Qty.	Description
11	04320500	1	Rod, Pivot
12	04321500	1	Rod, Paddle Mount, Long
13	04321600	1	Rod, Paddle Mount, Short
14	04321700	1	Lever, Shift
15	04322100	2	Cam, Interlock
16	04322700	1	Crank Bushing
17	52005800	1	Control Panel with Decal (920313, 315)
	52005700	1	Control Panel with Decal (920402, 403, 314)
18	04333151	1	Anchor, Deflector Cable (920402, 403, 314)
19	04334967	1	Rod, Shift, Upper
20	05500020	4	Bushing, Polyliner
21	05963300	2	Bolt, Hex .38-16 x 2.00 (920402, 403, 314)
	05963300	1	Bolt, Hex .38-16 x 2.00 (920313, 315)
22	06200207	2	Bolt, Round Head Extra Long Square Neck .31-18 x 2.00
23	06209300	2	Bolt, Round Head Extra Long Square Neck .25-20 x 2.00
24	06219900	2	Bolt, Round Head Square Neck .25-20 x .75
25	06220100	2	Bolt, Round Head Extra Long Square Neck .25-20 x 1.25
26	06220600	2	Bolt, Round Head Square Neck .25-20 x .50
27	06221600	4	Bolt, Round Head Square Neck .31-18 x 2.25
28	06307400	4	Washer, Lock .312 x .097
29	06435700	4	Washer, Flat Steel .38 x .875 x .083
30	06437300	2	Washer, Flat Steel .281 x .62 x .065
31	06444000	1	Washer, Flat Steel .406 x 1.00 x .188
32	06529800	4	Nut, Locking Center .31-18
33	06530200	4	Nut, Locking Nylon .31-18
34	06542000	2	Nut, Locking Top Flange .38-16 (920402, 403, 314)
	06542000	1	Nut, Locking Top Flange .38-16 (920313, 315)
35	06543500	8	Nut, Locking Top Flange .25-20
36	06701900	3	Pin, Hair, Internal .06 x .18 x .77 (920402, 403, 314)
	06701900	2	Pin, Hair, Internal .06 x .18 x .77 (920313, 315)
37	06713500	2	Pin, Hair, Internal .08 x .18 x 1.18
38	06714500	2	Pin, Spring Clip
39	06900438	2	Cable, Control
40	07028500	4	Bolt, Serrated Hex Flange Washer Head .38-16 x .75
41	07400034	9	Screw, Tapping Hex Washer Head Thread Rolling .25-20 x .50 (920402, 403, 314)
	07400034	7	Screw, Tapping Hex Washer Head Thread Rolling .25-20 x .50 (920313, 315)
42	07500005	4	Spacer, Handlebar
43	07500103	2	Edging, Clutch Handle
44	07500224	2	Knob (920402, 403, 314)
	07500224	1	Knob (920313, 315)
45	07518700	2	Handle Grip
46	08300527	2	Spring
47	08335700	2	Spring (920402, 403, 314)
	08335700	1	Spring (920313, 315)
48	00386700	1	Pivot, Shift Rod
49	04318451	1	Handlebar, Upper, Left Hand
50	08337000	1	Spring
51	05501012	1	Bushing, Sleeve (920402, 403, 314)
52	06439300	1	Washer, Flat Steel .380 x 1.50 x .062 (920402, 403, 314)

AUGER AND CHUTE

Model 920402, 403, 313, 314, 315



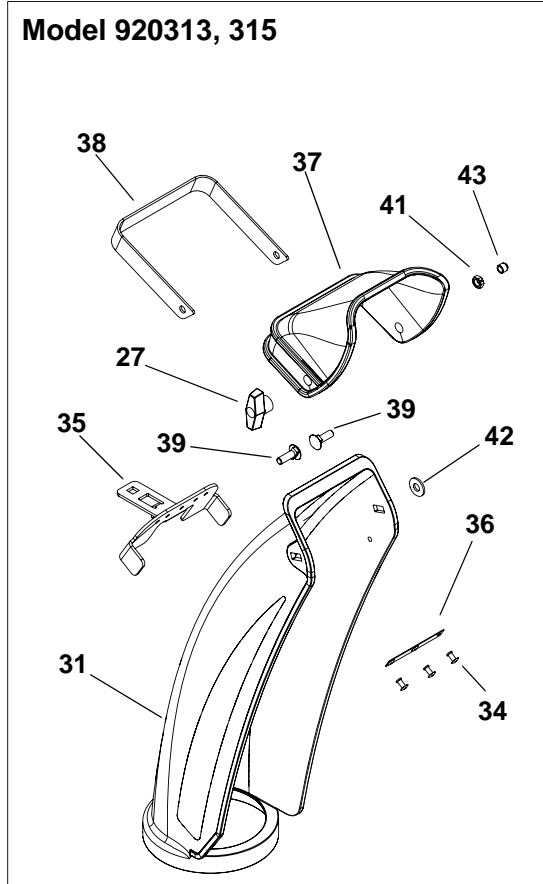
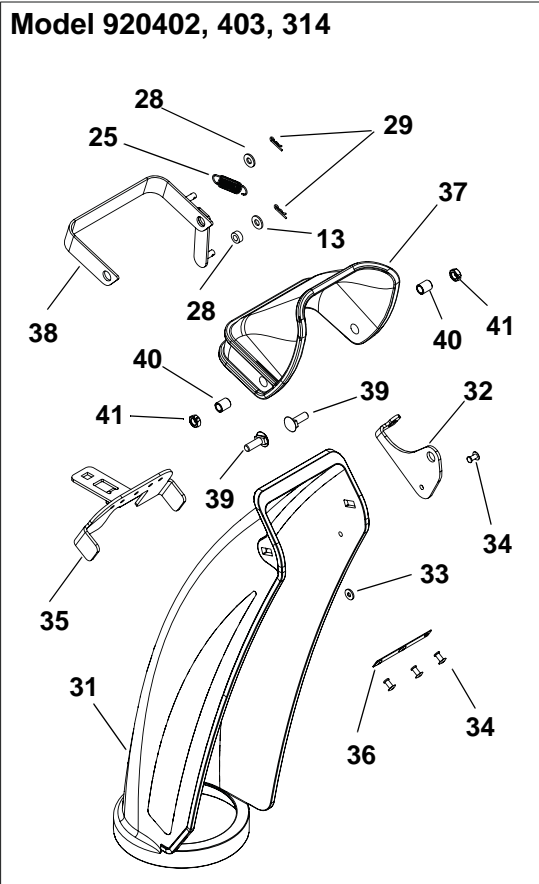
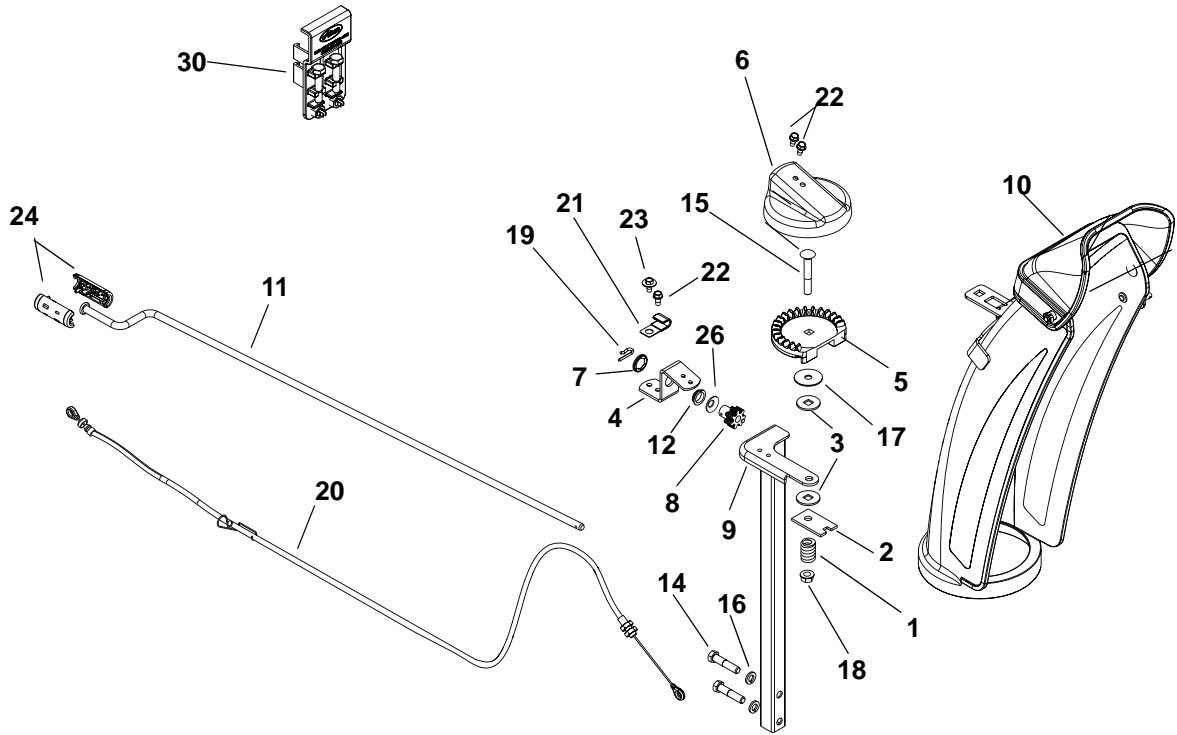
AUGER AND CHUTE

Model 920402, 403, 313, 314, 315

Item	Part No.	Qty.	Description
1	06439000	2	Washer, Flat Steel .812 x 1.50 x .135 (920402, 403, 313, 314)
	05500917	2	Bushing, Sleeve (920315)
2	00428700	1	Bearing Flange
3	05406300	1	Bearing
4	00268900	1	Pulley, Attachment
5	06307400	1	Washer, Lock .312 x .097
6	05947300	1	Bolt, Hex .31-24 x .75
7	01014200	1	Bearing Flange
8	06529700	3	Nut, Locking Center .25-20
9	03835551	1	Impeller
10	05803700	2	Pin, Roll .250 x 1.75
11	00170300	1	Mount, Snow Clean Out
12	06800028	2	Rivet, Pip .187
13	00170200	1	Device, Snow Clean Out
14	52005200	1	Housing, 24" with Decal (920402, 313)
	52005300	1	Housing, 28" with Decal (920403, 314)
	52005400	1	Housing, 22" with Decal (920315)
15	53213100	1	Rake, Right Hand, 24" with Zerk (Includes Item 17) (920402, 313)
	52003100	1	Rake, Right Hand, 28" with Zerk (Includes Item 17) (920403, 314)
	53212300	1	Rake, Right Hand, 22" with Zerk (Includes Item 17) (920315)
16	53213200	1	Rake, Left Hand, 24" with Zerk (Includes Item 17) (920402, 313)
	52003200	1	Rake, Left Hand, 28" with Zerk (Includes Item 17) (920403, 314)
	53212400	1	Rake, Left Hand, 22" with Zerk (Includes Item 17) (920315)
17	07061300	4	Zerk, Fitting .25 x .125 Drive In (920403, 314)
	07061300	2	Zerk, Fitting .25 x .125 Drive In (920402, 313, 315)
18	05500918	2	Bushing, Rake Shaft
19	07400034	6	Screw, Tapping Hex Washer Head Thread Rolling .25-20 x .50
20	04431751	2	Skid Shoe
21	04145451	1	Blade, Scraper, 28" (920403, 314)
	03884451	1	Blade, Scraper, 24" (920402, 313)
	03884351	1	Blade, Scraper, 22" (920315)
22	06200209	5	Bolt, Scraper Blade
23	06543100	5	Nut, Locking Top Flange .31-18
24	06200004	4	Bolt, Round Head Square Short Neck .38-16 x .75
25	06435700	4	Washer, Flat Steel .38 x .875 x .083
26	06529600	4	Nut, Locking Center .38-16
27	53200500	2	Shear Bolt with Nut (Includes item 28)
28	06529700	2	Nut, Locking Center .25-20
29	07001612	2	Nut, Threaded Insert .38-16
30	04516500	1	Pulley Hub
31	07411500	7	Screw, Tapping Hex Washer Head Thread Rolling .31-18 x .50

DISCHARGE CHUTE CRANK

Model 920402, 403, 313, 314, 315



DISCHARGE CHUTE CRANK

Model 920402, 403, 313, 314, 315

Item	Part No.	Qty.	Description
1	08320900	1	Spring
2	00398000	1	Plate, Friction
3	01123800	2	Friction Washer
4	01972451	1	Bracket, Pinion Gear
5	03222900	1	Chute Gear
6	03223000	1	Gear Cover
7	03224300	1	Pushnut
8	52000100	1	Pinion Gear with Bracket (Includes Items 4, 7, 12 and 26)
9	03883751	1	Pedestal, Chute
10	52005500	1	Chute, Discharge with Cap and Decal (Includes Item 31 – 41) (920402, 403, 314)
	52005600	1	Chute, Discharge with Cap and Decal (Includes Items 27, 31, 34 – 39, 41 – 43) (920313, 315)
11	04338000	1	Rod, Chute Crank
12	05500021	1	Bushing, Polyliner
13	05501012	1	Bushing, Sleeve (920402, 403, 314)
14	05958500	2	Bolt, Hex .38-16 x 1.75
15	06224400	1	Bolt, Round Head Square Neck .38-16 x 2.50
16	06308800	2	Washer, Lock .38 x .094
17	06400917	1	Washer, Flat Steel .406 x 1.25 x .10
18	06542000	1	Nut, Locking Top Flange .38-16
19	06714500	1	Pin, Spring Clip
20	06900524	1	Cable, Deflector (920402, 403, 314)
21	06909400	1	J-Clamp (920402, 403, 314)
22	07400034	3	Screw, Tapping Hex Washer Head Thread Rolling .25-20 x .50 (920402, 403, 314)
	07400034	4	Screw, Tapping Hex Washer Head Thread Rolling .25-20 x .50 (920313, 315)
23	07400104	1	Screw, Tapping Large Hex Washer Head Thread Rolling .25-20 x .50 (920402, 403, 314)
24	07500129	2	Knob, Chute Crank
25	08300532	1	Spring (920402, 403, 314)
26	06400009	1	Washer, Thrust .625 x 1.0 x .03
27	07500228	1	Knob, Wing .31-18 (920313, 315)
28	06437300	2	Washer, Flat Steel .281 x .62 x .065 (920402, 403, 314)
29	06701900	2	Pin, Hair Internal .06 x .18 x .77 (920402, 403, 314)
30	52004500	1	Holder, Shear Bolt
31	04428600	1	Chute, Discharge
32	04439451	1	Cable Anchor (920402, 403, 314)
33	06400003	1	Washer, Flat Steel .196 x .500 x .06 (920402, 403, 314)
34	06800107	4	Rivet, Pop #66 (920402, 403, 314)
	06800107	3	Rivet, Pop #66 (920313, 315)
35	03884751	1	Bracket, Chute Mount
36	04440151	1	Backing Plate
37	04431900	1	Cap, Deflector
38	04439351	1	Bracket, Deflector Cap (920402, 403, 314)
	04433351	1	Bracket, Deflector Cap (920313, 315)
39	06200212	2	Bolt, Round Head Recessed Short Neck .31-18 x 1.00
40	05501113	2	Bushing, Sleeve (920402, 403, 314)
41	06500011	2	Nut, Locking-Center-Jam .31-18 (920402, 403, 314)
	06500011	1	Nut, Locking-Center-Jam .31-18 (920313, 315)
42	06435700	1	Washer, Flat Steel .38 x .875 x .083 (920313, 315)
43	07500230	1	Cap, End (920313, 315)



Ariens Company
655 West Ryan Street
Brillion, WI 54110
920-756-4688
Fax 920-756-2407
www.ariens.com

An *Ariens* Company Brand