

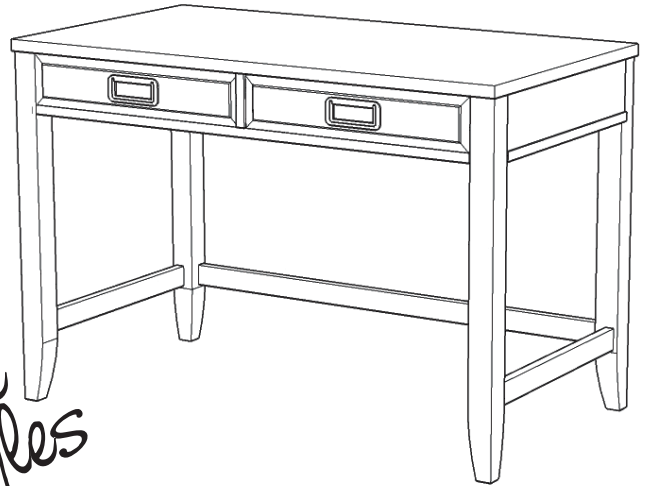
# 88 5515 16 Student Desk

## IMPORTANT NOTE

Carefully remove all the parts from the carton and put them individually on a soft cloth to prevent scratches or other damages occurring to the wood parts.

We have taken great care in the design of this product and request that you carefully and strictly follow our assembly instructions to ensure a completed product as it was designed.

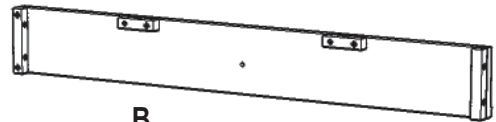
*Home  
Styles*



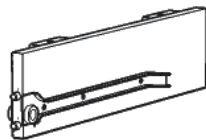
## PART LIST



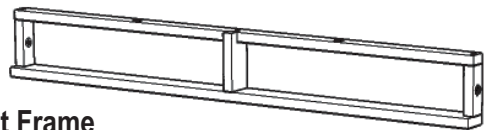
**A.**  
**Top**  
1 pc.



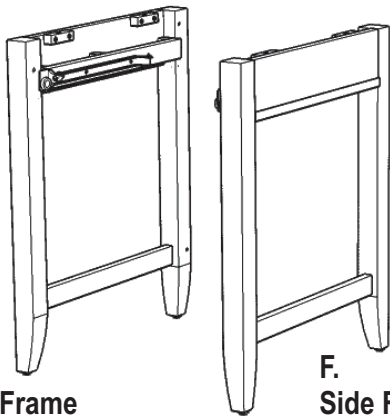
**B.**  
**Back Stretcher**  
1 pc.



**C.**  
**Divider**  
1 pc.



**D.**  
**Front Frame**  
1 pc.

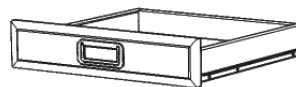


**E.**  
**Side Frame**  
1 pc.

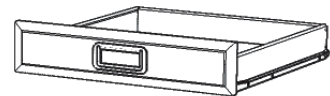
**F.**  
**Side Frame**  
1 pc.



**G.**  
**Stretcher**  
1 pc.



**H.**  
**Drawer**  
1 pc.



**I.**  
**Drawer**  
1 pc.

*(Please refer to the last page(s) of these instructions for drawer assembly steps.)*

## HARDWARE LIST

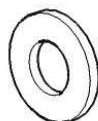


**Hex Wrench**  
1 pc.

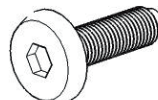
**Small Hex Wrench**  
1 pc.



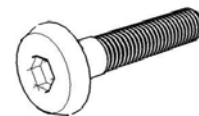
**Spring Washer**  
16 pcs. (+1 extra)



**Flat Washer**  
16 pcs. (+1 extra)



**(M6x28)  
Head Cap Bolt (short)**  
2 pcs. (+1 extra)



**(M6x35)  
Head Cap Bolt**  
14 pcs. (+1 extra)



**(M3x38)  
Wood Screw**  
2 pcs. (+1 extra)

**Tools required for assembly :** Phillips screwdriver

**Tools recommended for assembly :** Level

**Home Styles Consumer Assistance:** [www.homestyles-furniture.com](http://www.homestyles-furniture.com),  
[servicedesk@homestyles-furniture.com](mailto:servicedesk@homestyles-furniture.com), 888-680-7460, 877-831-0319

# Assembly Instructions 2/4

## IMPORTANT

- \* Do not tighten up all the bolts and screws until each part is properly assembled.
- \* You should keep Hex Wrench in a safe place as you may need to tighten up the Bolts in the future.
- \* Use a soft cloth between these parts and the floor.
- \* After assembly, item must be level to work properly. Use the included adjustable levelers to level.

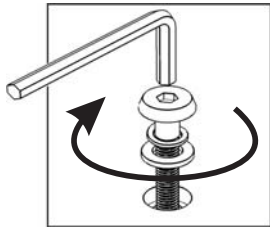
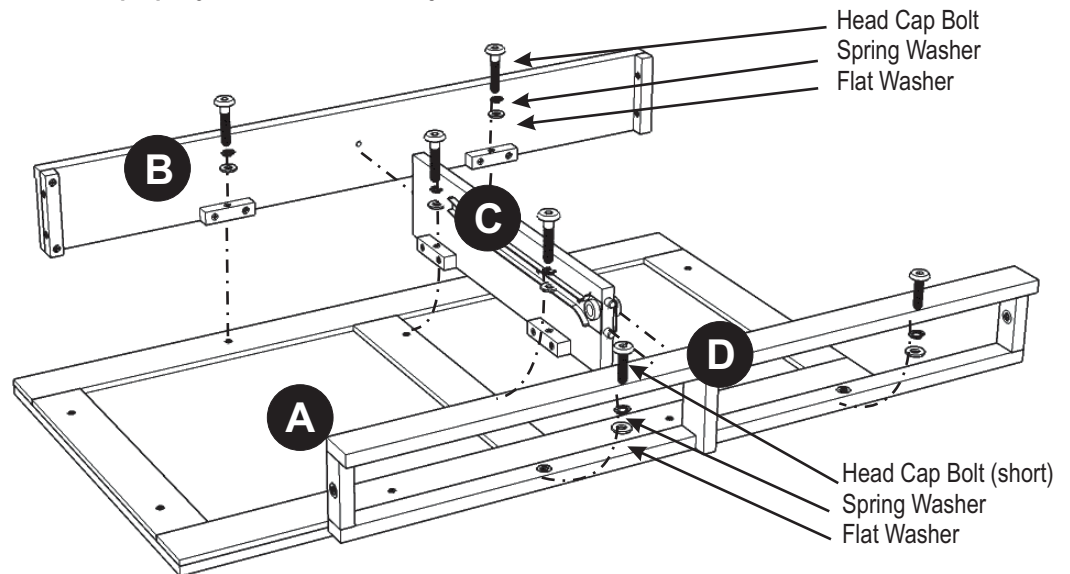


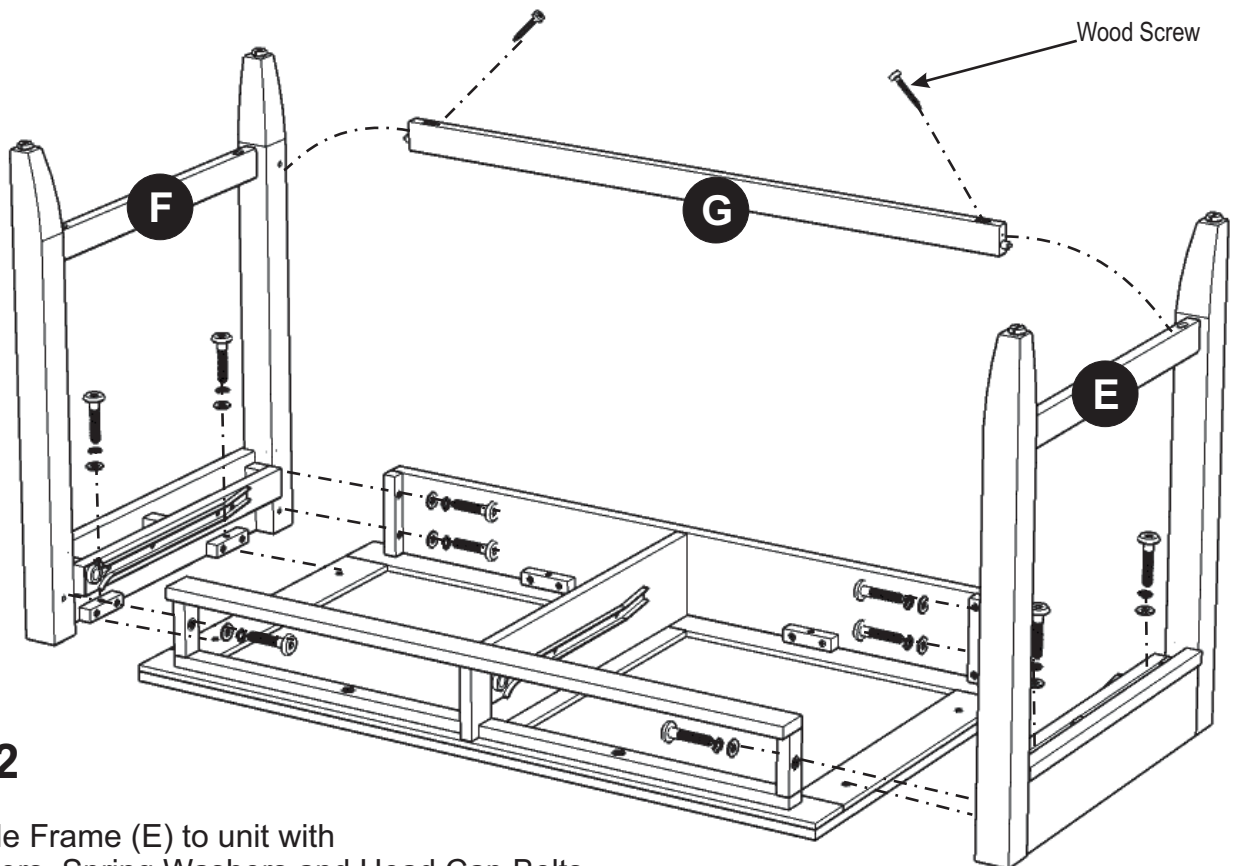
Figure 1



## STEP 1

Place Top (A) upside down on a soft cloth.

Attach Back Stretcher (B), Divider (C) and Front Frame (D) to Top (A) with Flat Washers, Spring Washers, Head Cap Bolts (short) and Head Cap Bolts. (See Figure 1)

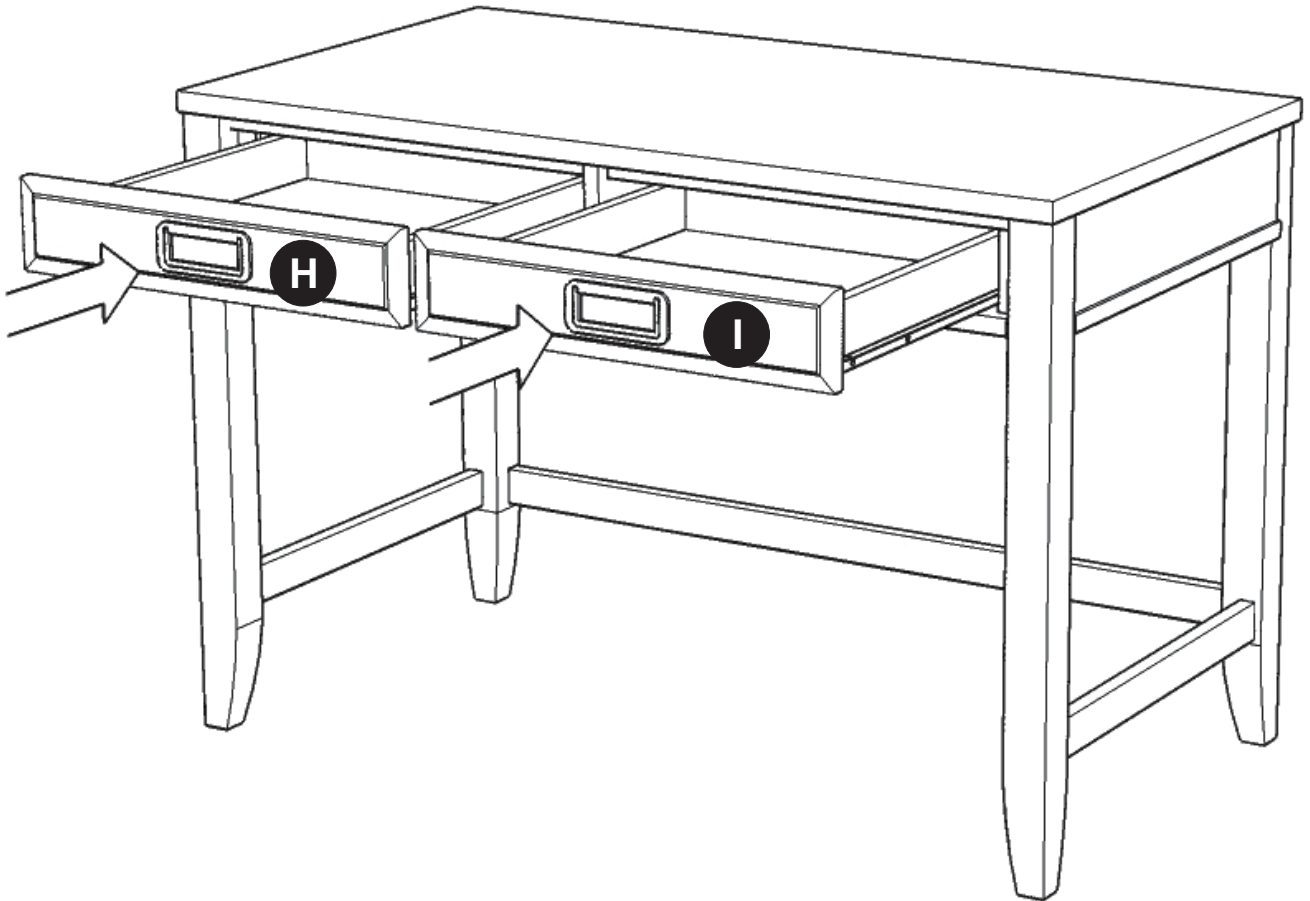


## STEP 2

Attach Side Frame (E) to unit with Flat Washers, Spring Washers and Head Cap Bolts.

Attach Stretcher (G) to unit with Wood Screw.

Attach Side Frame (F) to unit with Wood Screw, Flat Washers, Spring Washers and Head Cap Bolts.



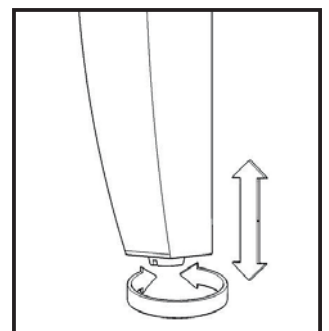
### STEP 3

Turn the unit over to its' upright position.

Slide Drawers (H) and (I) into position.

To level the unit, adjust the adjustable levelers on the bottom of unit.  
(See Figure 2)

**Note: Unit must be level to work properly.**



**Figure 2**

## Drawer (H)

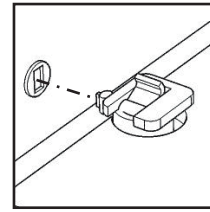
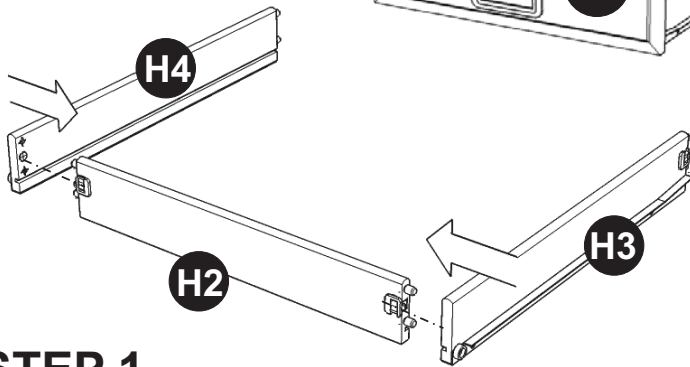


Figure 3

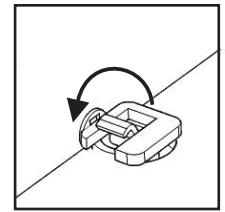
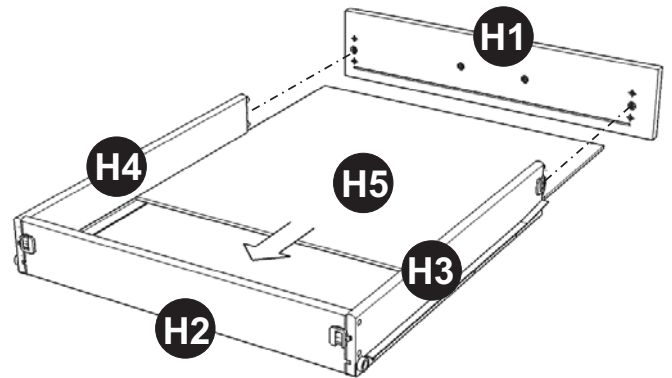


Figure 4



### STEP 1

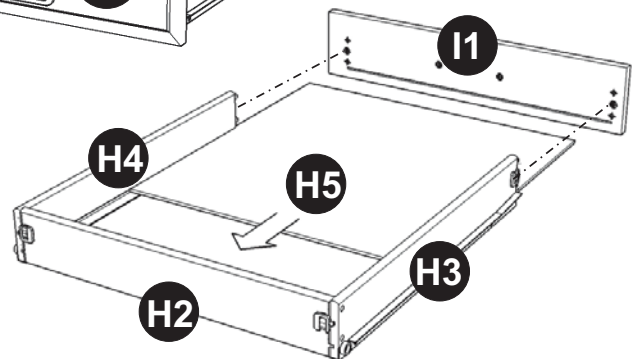
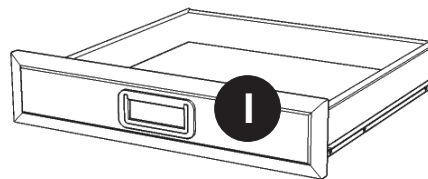
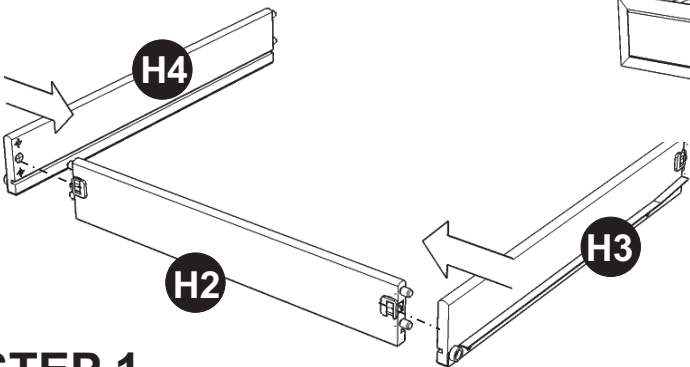
Attach H2 to H3 and H4, then flip the Locks.  
(See Figures 3 and 4)

### STEP 2

Slide H5 into the grooves in H3 and H4.  
Be sure to push H5 all the way forward so it meets H2.

Attach H1 to unit, then flip the Locks.

## Drawer (I)



### STEP 1

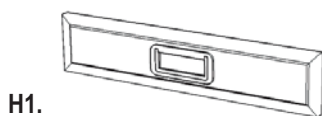
Attach H2 to H3 and H4, then flip the Locks.  
(See Figures 3 and 4)

### STEP 2

Slide H5 into the grooves in H3 and H4.  
Be sure to push H5 all the way forward so it meets H2.

Attach I1 to unit, then flip the Locks.

## Part List



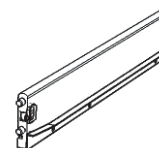
H1.  
Drawer Front  
1 pc.



H2.  
Drawer Back  
2 pcs.



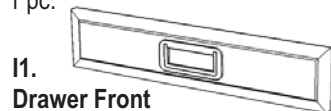
H3.  
Drawer Side  
2 pcs.



H4.  
Drawer Side  
2 pcs.



H5.  
Drawer Bottom  
2 pcs.



I1.  
Drawer Front  
1 pc.