

Elizabethan™ Arbor Installation Guide



Copyright 2013 USAVinyl, LLC - All Rights Reserved - The information contained in these instructions are proprietary to USAVinyl, LLC and may not be used or reproduced for any purpose other than for the evaluation purpose for which it was provided.

Before You Begin Installation

Consult your local authorities for any permits required to construct the arbor.

Check with local building code officials to review any required permits or building limitations.

Read instructions thoroughly prior to assembly.

If you have questions or concerns with this product please **DO NOT** return before consulting a product specialist. Please refer all questions and concerns to our product specialist at 1-888-743-3673.

For easier installation, it is recommended to have at least two people to handle, fit and secure arbor components.

Do not stand, sit, store, or hang items on the pergola.

Repair or replace broken parts immediately. Call 1-888-743-3673 for replacement parts.

At regular intervals inspect your arbor to make sure that assembly integrity has been maintained.

Tools Required for Installation:

1. Extension Cord
2. Hammer Drill *
3. Reciprocating Saw
(optional only if you are cutting down material)
4. Power Drill
5. 1" Drill Bit for metal
6. Drill Bits - 3/16"
7. Phillips Screwdriver Bit
8. Masonry Bit - 3/8" *
9. Ratchet with Deep Socket - 1/2" *
10. Level
11. Tape measure (min 25')
12. 1 Ladder (at least the height of your pergola)
13. Rubber Mallet
14. Pencil
15. Carpenter's Square

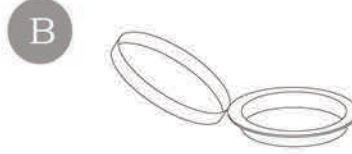
* These will only be needed with optional concrete mount installation.

Material List

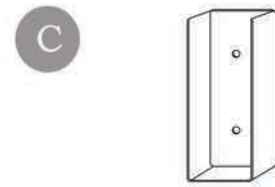
Total of two (2) boxes containing:



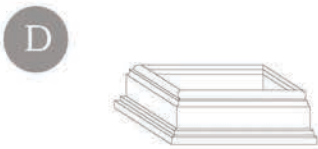
A
1" Self-Tapping Screw



B
Screw Cap



C
1-3/4"x3.5"
U-Mounts



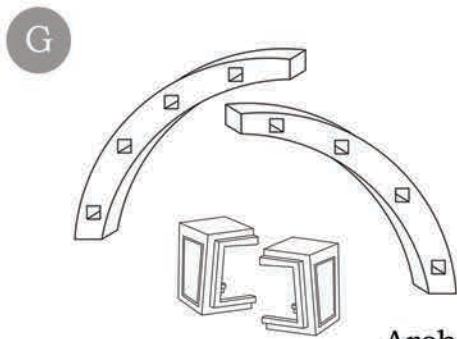
D
4" Post Skirt



E
New England
Post Trim



F
1.5 oz Glue



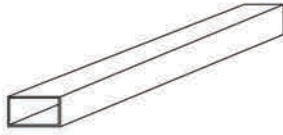
G
Arch & Keystone

Quantities

A	B	C	D	E	F	G		
56	24	12	4	4	1	2		

Material List

H



7/8"X1.5"X59"
Picket

I



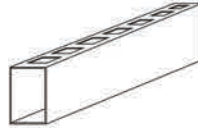
1.5"x1.5"x48"
Picket

J



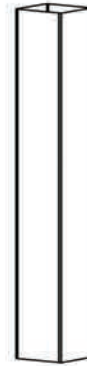
1-3/4"x3.5"x39-3/4"
Mid Rails

K



1-3/4"x3.5"x39-3/4"
Top & Bottom Rails

L



4"x4"x72"
Vinyl Post

M



4"x4"x96" Wood Post
(Can be purchased at your
local hardware store)

Optional Parts

N



Concrete
Post Mount

O



3/8"X5"
Wedge Anchor
(with washer & nut)

P

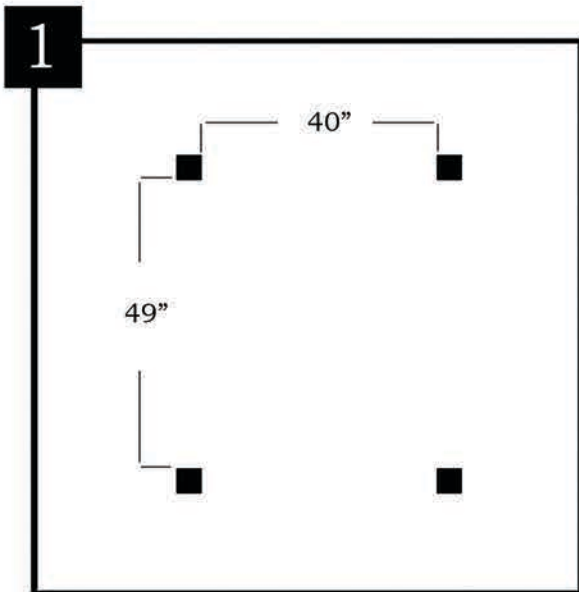


#14 x2" SS Screw

*If using concrete mount, you will need (2)
4x4x96" wood post that can be cut in half.

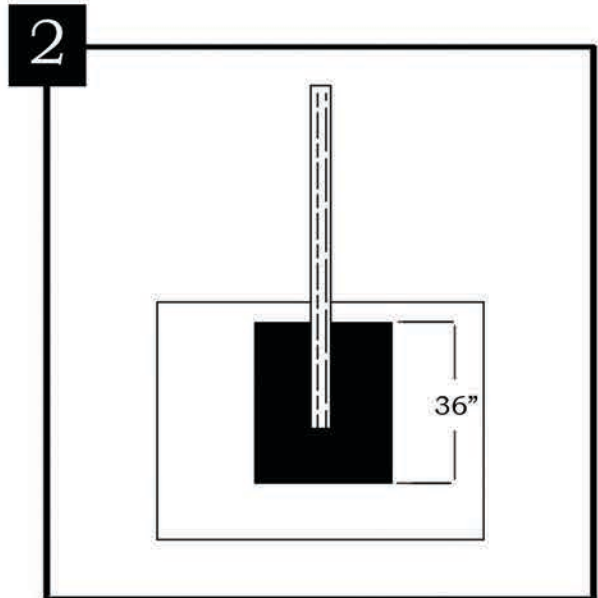
Quantities

H	I	J	K	L	M	N	O	P	
14	8	2	4	4	4	4	4	16	



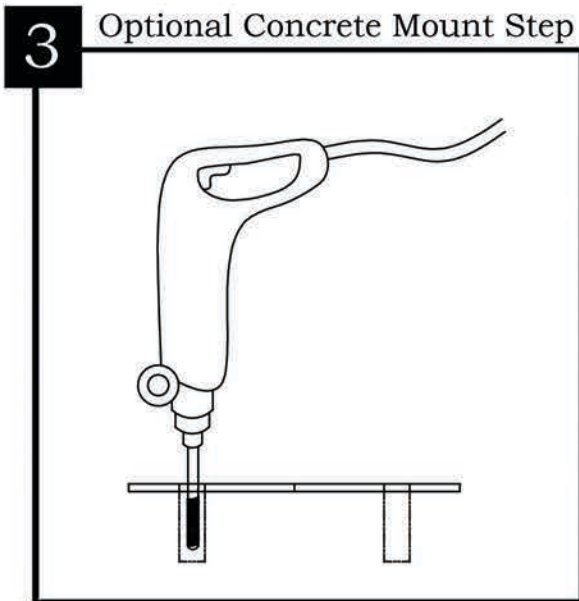
Lay out, center and dig all four post holes 12" diameter x 36" deep. Posts need to be 49" and 40" inside to inside.

*Note: For concrete mount installation skip to step 3.



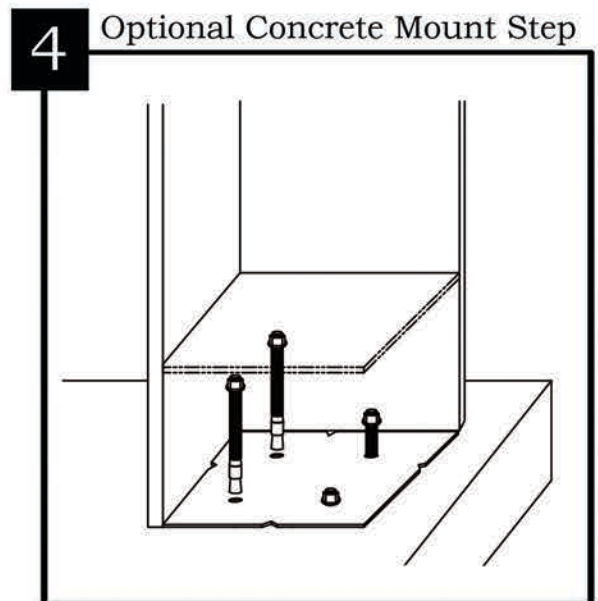
Install (4) 4x4x96" wood post (not included) and level. Set your post, fill with concrete leaving 3" from the top of the hole.

*Note: If not using the optional concrete mounts, skip to step 6.



Place, square and trace each concrete post mount. (N) Pre-drill concrete mount holes with hammer drill at 4 1/2" depth with 3/8" masonry bit.

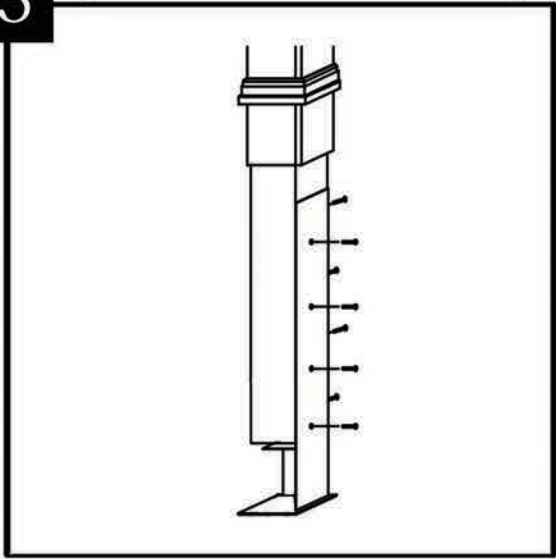
Do not rush.



Place wedge anchors (O) into each hole and tap into concrete leaving 1" above the concrete. Place concrete post mount (N) over the installed anchors and install washer and nut to each anchor. Level and tighten with 9/16" socket.

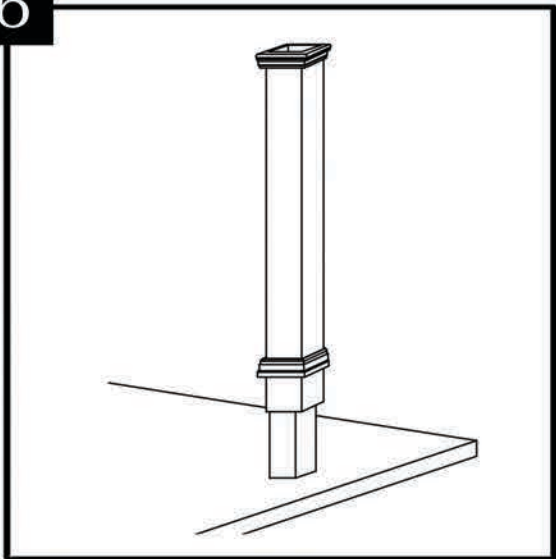
Do not over tighten.

5 Optional Concrete Mount Step



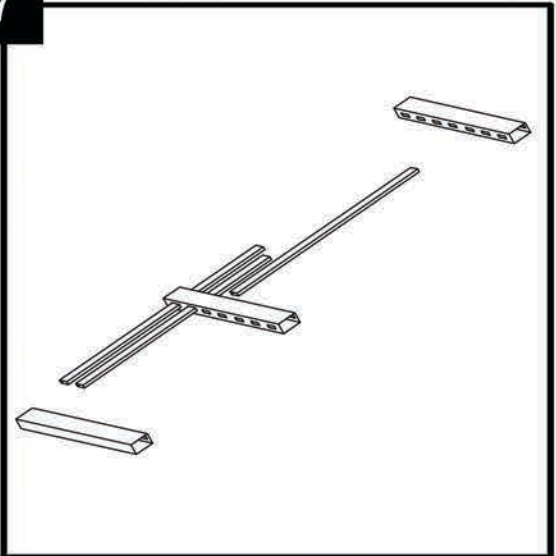
Line up the wood post with the concrete post mount and pre-drill the holes of the concrete mount into the wood with a 3/16" bit. Install the #14 x 2" (P) screws into the pre-drilled holes.

6



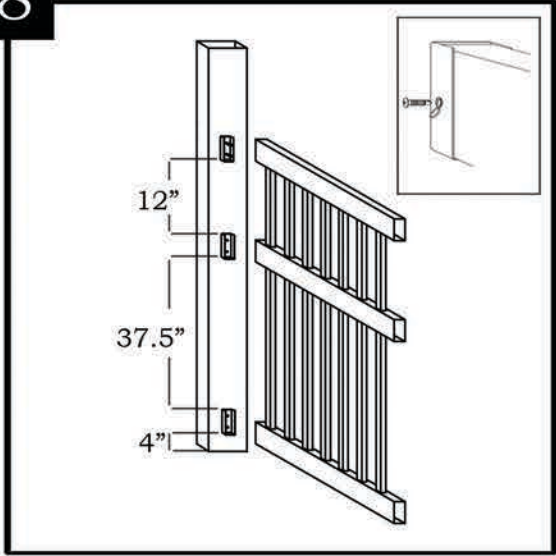
Place your post skirt (D) and post trim (E) over your vinyl post (L). Post trim will sit on top of post. Place the post over the wood post or concrete mount.

7



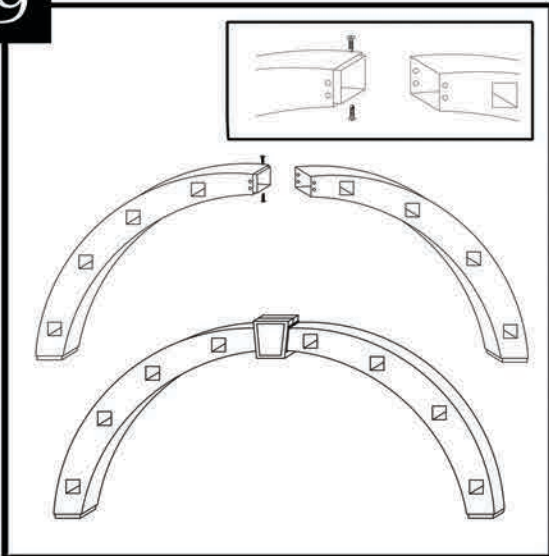
Assemble the panels using 1 mid rail (J), 2 top and bottom rails (K), and 7 pickets (H).

8



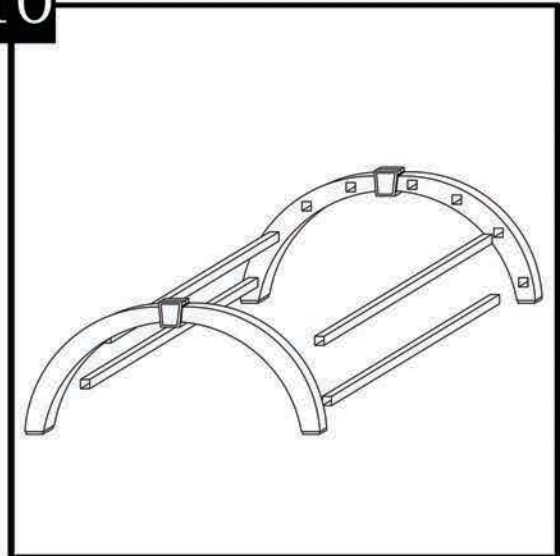
Install completed panel using u-mounts (C), according to spacing shown above. These spaces can be customized. Once panel is in the u-mounts, secure it with 1" screws (A) and screw caps (B) on each side of the u-mounts.

9



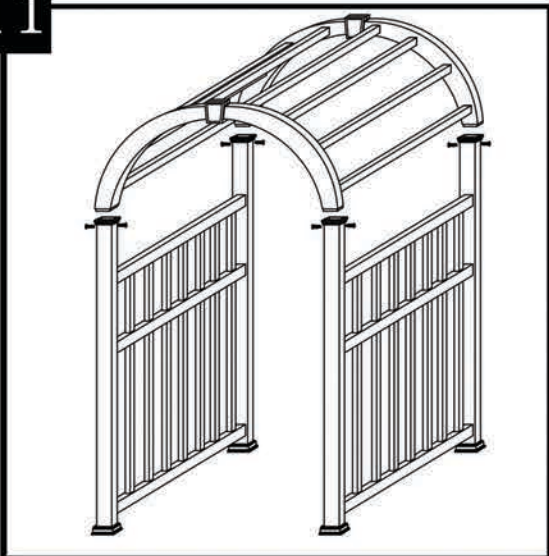
Assemble arches (G) by sliding two pieces together so that the routed holes are facing the same direction. Place a 1" screw on top and bottom to secure. Add glue to the tabs of the keystone, then snap the keystone onto top of arch using the pre-drilled holes.

10



Insert the 1.5"x1.5" pickets (I) into routed holes on arches to create the arch panel.

11



Place arch panel into posts, using glue on the ends of the arch. Once in place secure arch panel with 1" screws and screw caps right below the trim into the post, one on each side of the side panels.

