

# BEFORE YOU BEGIN

Make sure the color of all panels match. Be sure Panel and Horizontal Closure Support Strip fit together... Palruf PVC is round. Snow, wind and weather loads should be considered when designing the slope degree of your structure. Before installation, check local building codes for relevant specifications and recommendations. Follow local codes at all times.

**TRANSPORTATION, HANDLING AND STORAGE:** Do Not transport, leave or store panels in direct sun before or during installation. For outdoor storage, cover securely with a colored tarpaulin to avoid solar heat gain between the panels. Sunlight is magnified when passing through uncovered sheets increasing the temperature of the sheets which leads to degradation and distortion. Penetration of water between the sheets in storage will accentuate this heat gain. Therefore it is recommended to store the panels indoors. Panels will withstand heat when properly installed and ventilated. Store the panels stacked evenly on a horizontal flat surface with longer lengths on the bottom. Do not stack other items on top of panels. If panels are not stacked directly on floor, be sure to support evenly. **IMPORTANT: If clear Palruf panels have been stored at temperatures below 40° F, allow panels to acclimate to room temperature before cutting.**

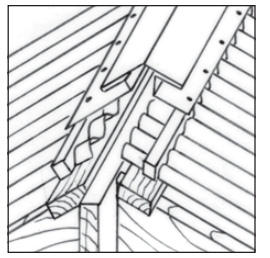
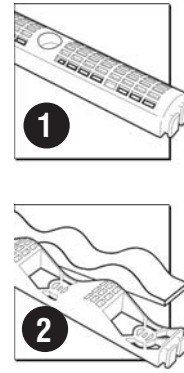
## LOAD SUPPORT TABLE

Pounds per Sq. Ft.	20 psf	30 psf
Palruf Purlin Spacing	24"	16"

**FLEXIBLE ENOUGH FOR CURVED STRUCTURES:** Palruf panels may be used in curved applications, as long as the radius of the curve is not less than 13 feet.

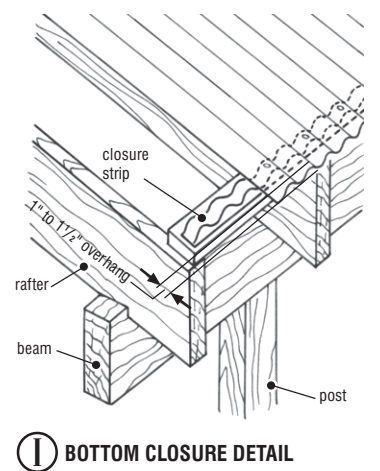
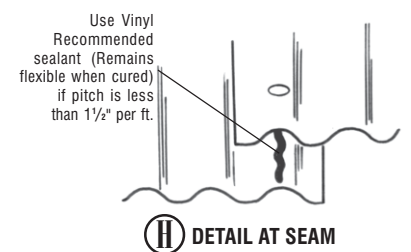
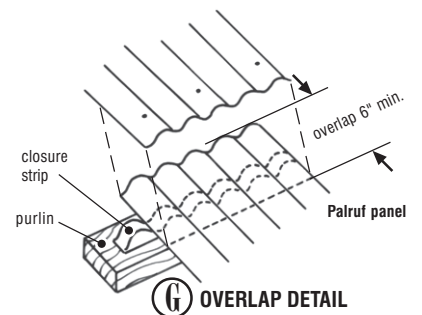
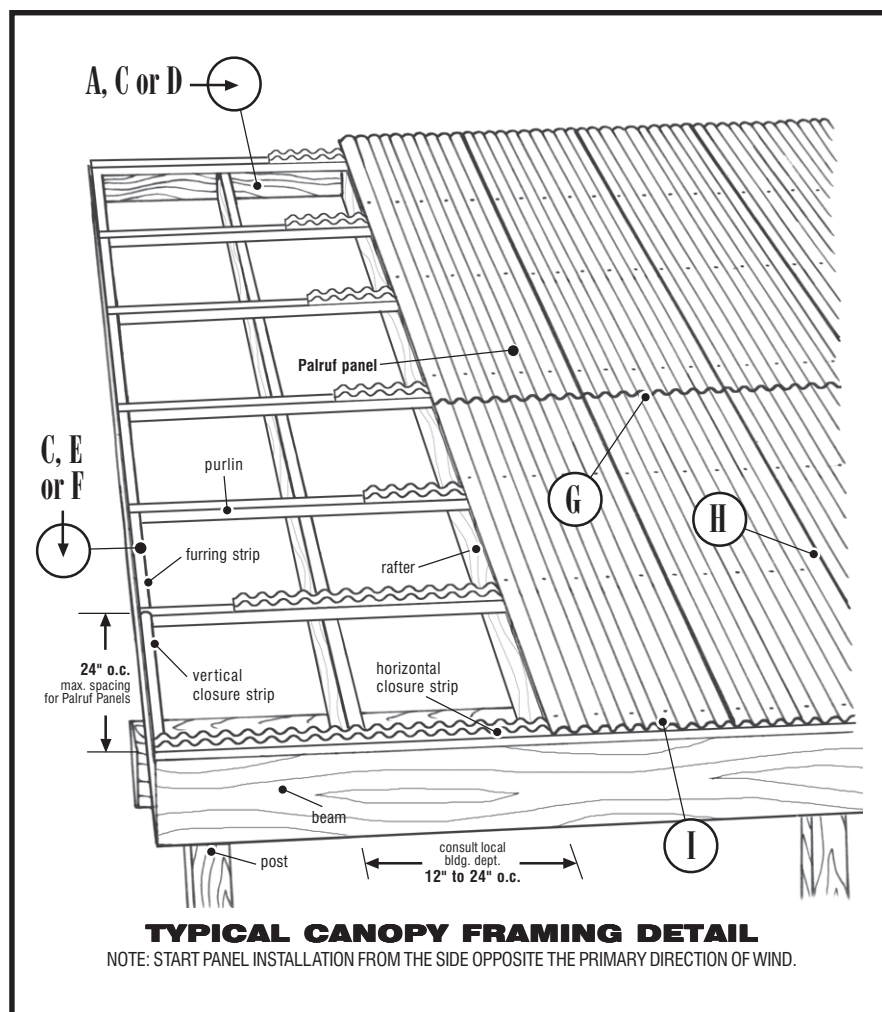
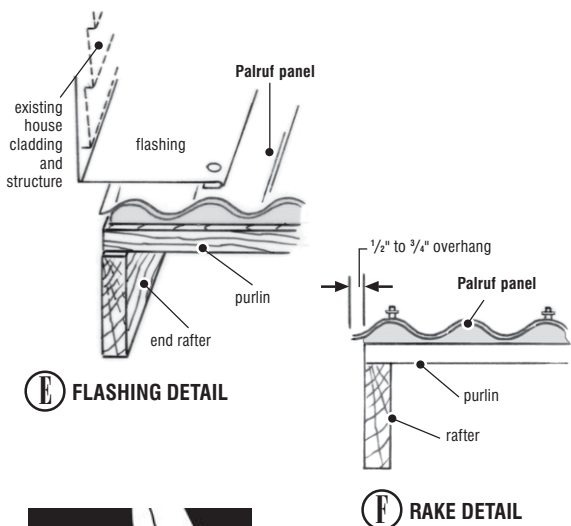
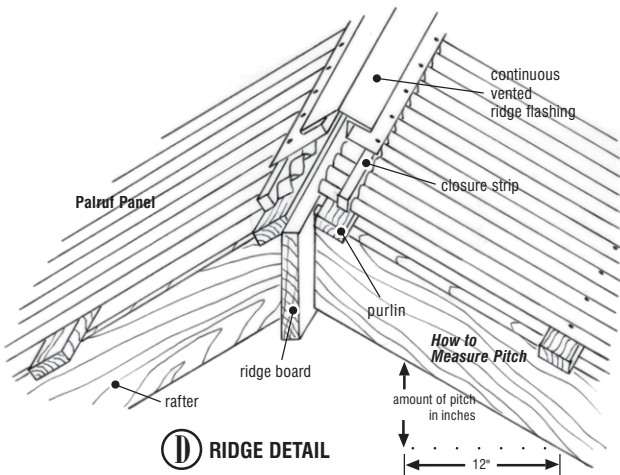
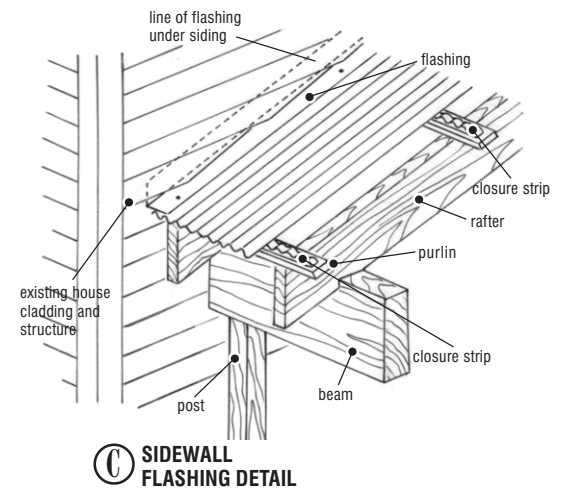
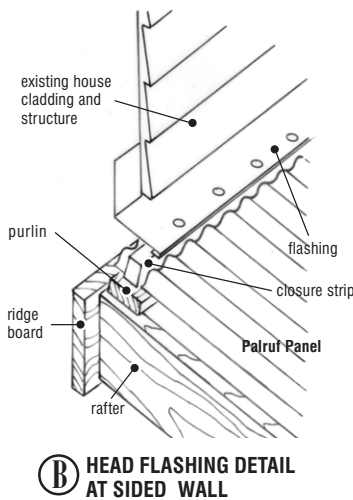
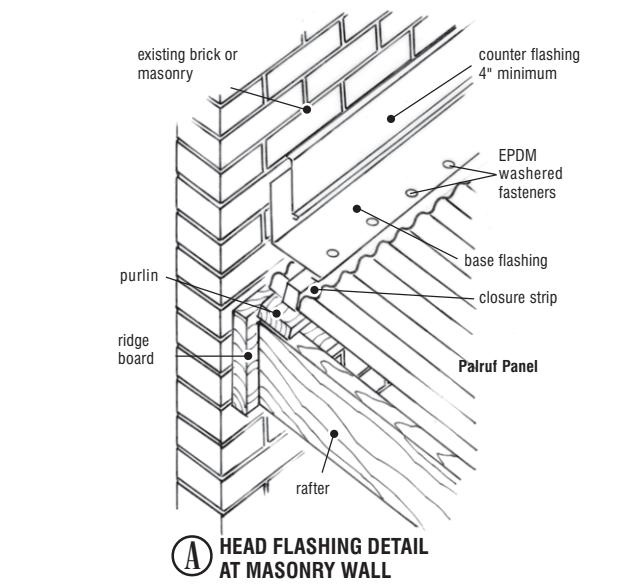
## PALRUF ACCESSORIES

- 1 Palruf Plastic Vertical Closure Strip  
7/8"H x 1-3/16"W x 24"L
  - 2 Palruf Plastic Horizontal Closure Strips  
3/4" x 7/8"W x 24"L
  - Palruf Foam Horizontal Closure Strips  
3/4" x 7/8"W x 36"L
- EPDM Washered Fasteners



**BE SURE TO CAREFULLY READ ALL INSTRUCTIONS**

# INSTALLATION DETAILS FOR TYPICAL CANOPY STRUCTURE



## INSTALLATION NOTES

- To Cut Panels:** Use either a circular saw with a plywood blade reversed, a utility knife and a straight edge, or a pair of snips. Support the sheets to avoid vibration and cut at slow speed. Up to five panels can be cut with a circular saw. **IMPORTANT:** If clear Palruf Panels have been stored below 40° F, allow panels to acclimate to room temperature before cutting.
- Pitch:** This is the amount of height in inches the rafter rises over a 12" run. Minimum slope is 1 1/2" in 12" (see figure D). Never install panels on flat roofs.
- Purlins/Cross Supports:** Cross supports (purlins) must be no more than 24" apart for Palruf. Cross Supports should be at least 2" x 2" lumber.
- Sealants:** For Palruf sheets, use any sealant/adhesive recommended for vinyl (a low modulus sealant that remains flexible when cured). (See figure H).
- Closure Strips:** Made from either plastic or foam. They are used horizontally under the panels as fastener supports. Foam closures are recommended because they can be stretched slightly to align with the panels to form a compression fit. Plastic Vertical Closures are recommended for finishing the outside edges.
- Ventilation: Palruf Panels are for Open Ventilated Projects ONLY.**

- Fasteners:** Use Suntuf EPDM Washered fasteners only. NEVER use nails. Pre-drill all fastener holes with a 3/16" drill bit to accommodate for the thermal movement of the panel. Failure to accommodate thermal movement will cause buckling of the sheet. Attach fasteners on the crown of every other rib in the horizontal direction. In high wind areas, fasten on the crown of every rib. Use 2" fasteners for all roof applications. DO NOT Overtighten Fasteners causing the rubber washer to compress.
- TIP:** Tighten all fasteners until they are "snug." If the black EPDM washer becomes deformed, the fastener is too tight!
- General Notes:** While opaque panels are suitable for all weather conditions, clear panels are to be installed for applications in mild weather conditions only, and are not recommended for locations with high UV radiation or temperatures that exceed 130° F. Sheet corrugations at each side must face down. Do not install panels over lattice or existing roofing. Panels are NOT recommended for enclosed structures such as greenhouses.

Inasmuch as Palram Americas has no control over the use (and/or installation method) to which others may put this material, it does not guarantee that the same results as those described herein will be obtained. Each user of the material should make their own test to determine the suitability of the material for their own particular use. In the event of a warranty claim for product failure, Palram Americas reserves the right to inspect any or all of the sheets involved and the installation site itself while the sheets are still in their original position and have not been removed or moved or altered in any way. For a complete copy of the Palruf PVC Warranty, contact Palram Americas at 1-800-999-9459 or visit us on line at [www.PalramAmericas.com](http://www.PalramAmericas.com).



**METAL TITE**  
EPDM Washered Fasteners  
For Fastening to Metal Framing



**WOOD TITE**  
EPDM Washered Fasteners  
For Fastening to Wood Framing

Available in 1" and 2" lengths. One package covers approx. 50 sq. ft. following fastening pattern shown above.

# INSTALLATION INSTRUCTIONS