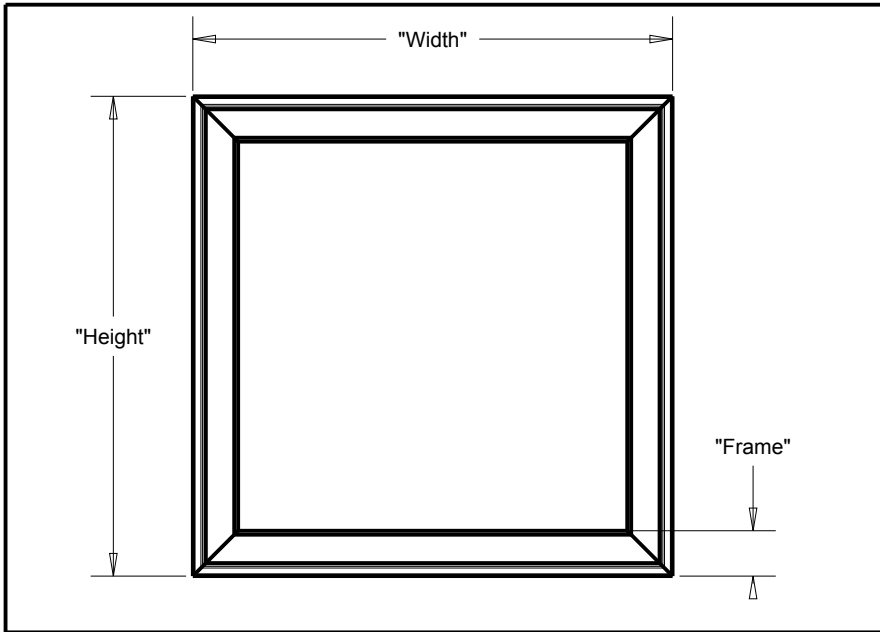


DELTA[®]

ACCESSORIES

- Delta[®] Custom Reflections™
- Square Mirror Frame



STANDARD SPECIFICATIONS:

- Expanded Polystyrene Foam

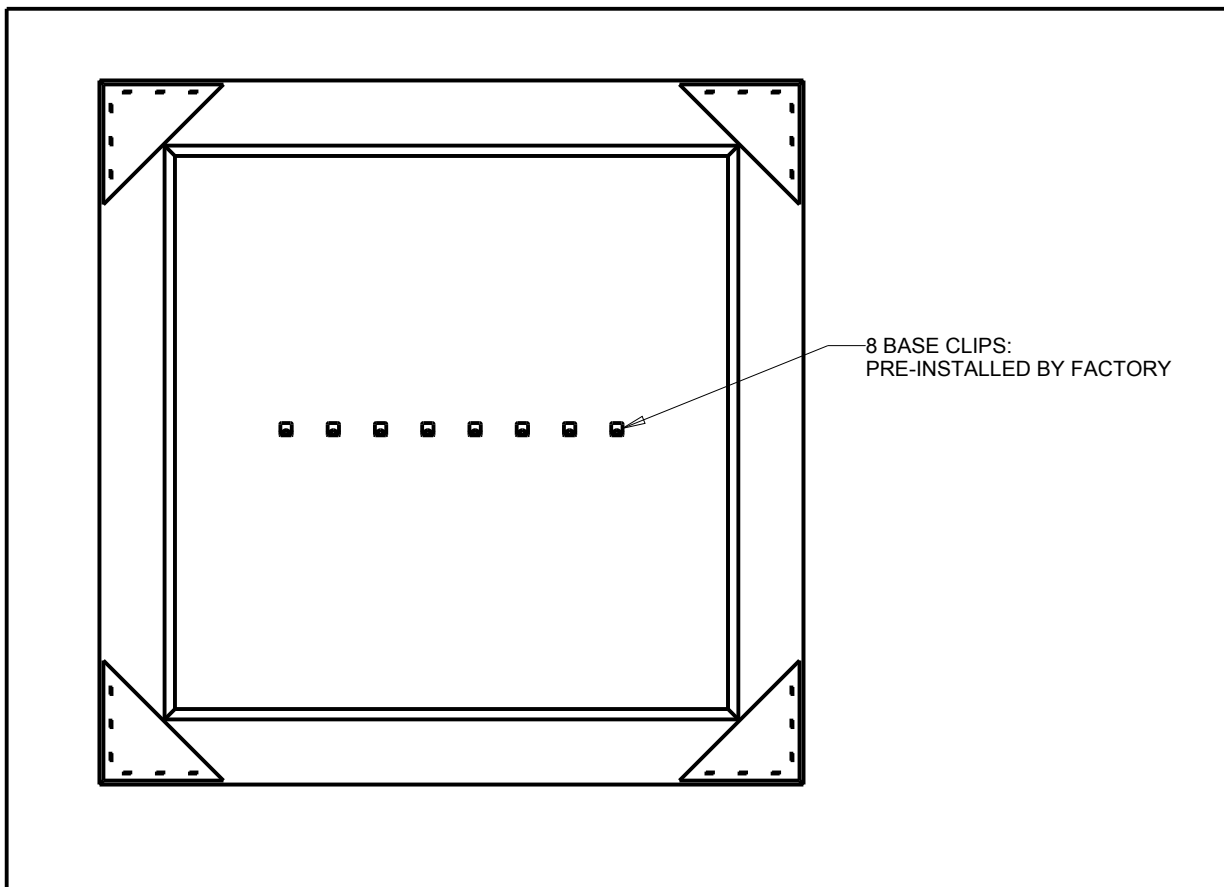
WARRANTY

Delta[®] and Liberty Hardware work to maintain the highest level of quality in our products. We ask the same of our suppliers and work towards meeting the high quality expectation of all consumers. Our plumbing products are warranted to be free of defects in material and workmanship for five years from date of purchase. Liberty Hardware will, at its election, repair, replace or make appropriate adjustment where Liberty Hardware determines that such defect occurred during normal usage within five (5) years after purchase. Liberty Hardware is not responsible for removal, installation costs, or incidental or consequential losses. Labor charges and/or damage incurred in installation, repair, or replacement of the product, as well as any other kind of loss or damage, are excluded. This warranty is not transferable.

		Height (in)	Width (in)	Frame (in)	Weight (lbs)	Finish
FRML2-CHL-R	Large Square	27.52	27.52	3.15	4.72	Classic Chrome
FRML2-GWM-R	Large Square	27.52	27.52	3.15	6.04	Weathered Wood
FRML2-MBL-R	Large Square	27.52	27.52	3.15	5.31	Matte Black
FRML2-MOS-R	Large Square	27.52	27.52	3.15	5.42	Stone Mosaic
FRML2-NKL-R	Large Square	27.52	27.52	3.15	5.89	Vintage Nickel
FRML2-WHM-R	Large Square	27.52	27.52	3.15	5.88	Matte White

DELTA[®] ACCESSORIES

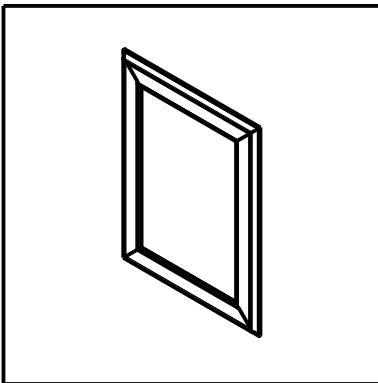
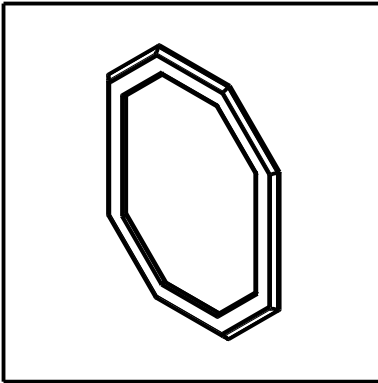
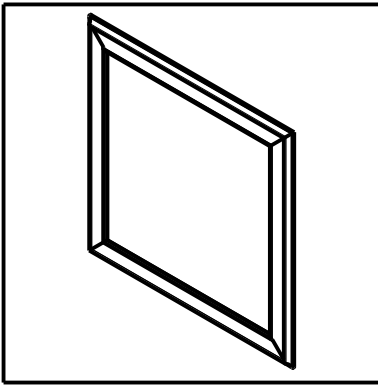
- Delta[®] Custom Reflections™
- Square Mirror Frame



DELTA[®]

ACCESSORIES

- Delta[®] Custom Reflections™
- 80 mm Mirror Frame Shapes and Dimensions: M3, L1, L2, L3

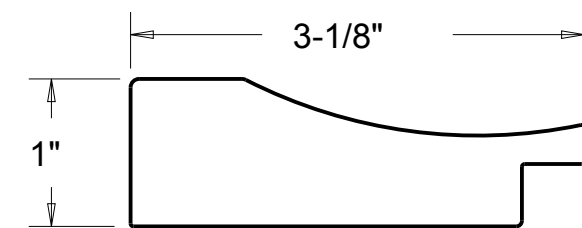


STANDARD SPECIFICATIONS:

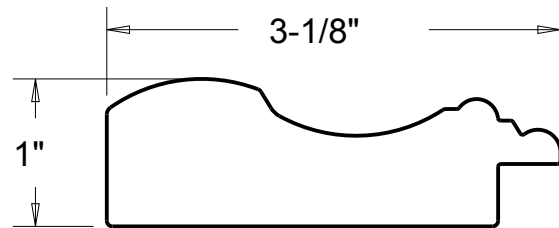
- Expanded Polystyrene Foam

WARRANTY

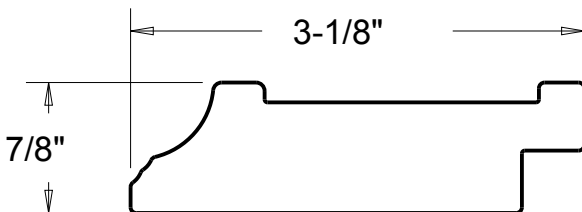
▪ Delta[®] and Liberty Hardware work to maintain the highest level of quality in our products. We ask the same of our suppliers and work towards meeting the high quality expectation of all consumers. Our plumbing products are warranted to be free of defects in material and workmanship for five years from date of purchase. Liberty Hardware will, at its election, repair, replace or make appropriate adjustment where Liberty Hardware determines that such defect occurred during normal usage within five (5) years after purchase. Liberty Hardware is not responsible for removal, installation costs, or incidental or consequential losses. Labor charges and/or damage incurred in installation, repair, or replacement of the product, as well as any other kind of loss or damage, are excluded. This warranty is not transferable.



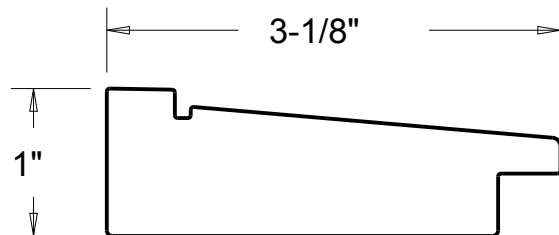
MATTE WHITE



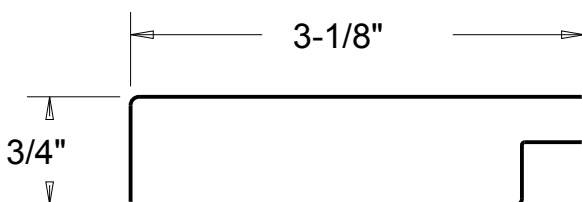
VINTAGE NICKEL



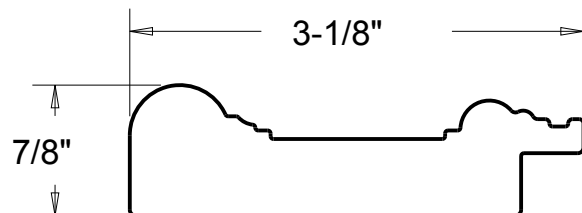
MATTE BLACK



WEATHERED WOOD



STONE MOSAIC



CLASSIC CHROME