

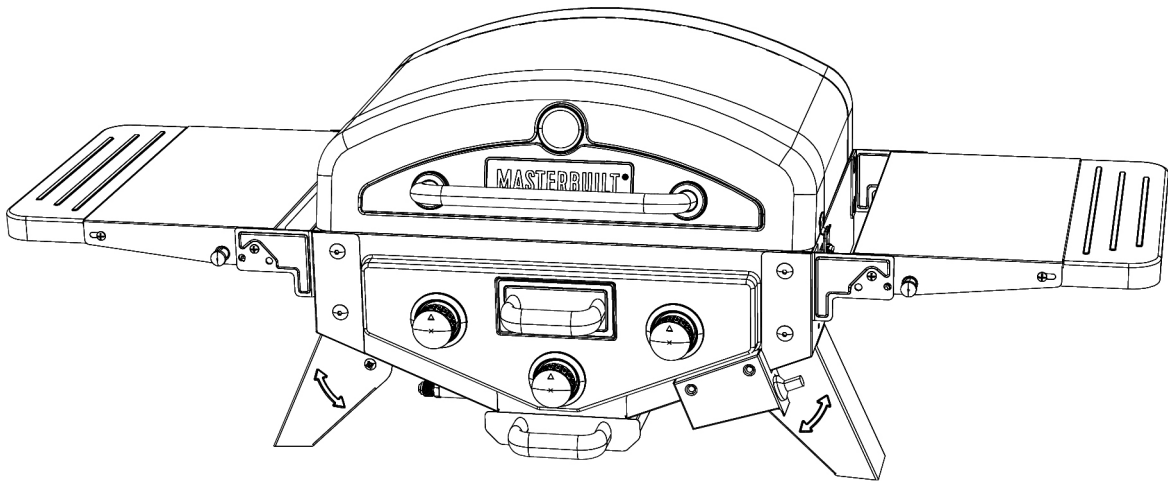


MASTERBUILT®

Welcome to the family. Let's get started.

MPG 300S

PROPANE TABLETOP GRILL



Manual applies to the following model number(s)
Le manuel s'applique aux numéros de modèle suivants
El manual se aplica a los siguientes números de modelo

MB20030519 • MB20030619

Your model number | Votre numéro de modèle
Su número de modelo

Mfg. Date - Serial Number | Date de fabrication - Numéro de série
Fecha Fabricado - Número de serie

These numbers are located on the rating label of the unit. | Le numéro de série se trouve sur la plaque signalétique de l'unité.
El número de serie se encuentra en la etiqueta de la unidad.

IMPORTANT | IMPORTANTE

Please record this information immediately and keep in a safe place for future use.
Veuillez noter cette information immédiatement et la conserver dans un endroit sûr pour une utilisation future.
Por favor, registrar esta información inmediatamente y guardar en un lugar seguro para su uso futuro.



Intertek

Master it. Masterbuilt.

Manual Code: 9803180020 190415-GSB

**WARNING**

- This manual contains important information necessary for the proper assembly and safe use of the appliance.
- Read and follow all warnings and instructions before assembling and using the appliance.
- Follow all warnings and instructions when using the appliance.
- Keep the fuel supply hose away from any heated surface.
- Keep this manual for future reference.

**DANGER****IF YOU SMELL GAS:**

1. Shut off gas to the appliance.
2. Extinguish any open flame.
3. Open lid.
4. If odor continues, keep away from the appliance and call the gas supplier or the fire department.

FAILURE TO FOLLOW THESE INSTRUCTIONS COULD RESULT IN FIRE OR EXPLOSION WHICH COULD CAUSE PROPERTY DAMAGE, PERSONAL INJURY OR DEATH.

**DANGER**

1. Never operate this appliance unattended.
2. Never operate this appliance within 10 ft (3 m) of any structure, combustible material or other gas cylinder.
3. Never operate this appliance within 25 ft (7.5 m) of any flammable liquid.
4. Heated liquids remain at scalding temperatures long after the cooking process. Never touch cooking appliance until liquids have cooled to 115°F (45°C) or less.
5. If a fire should occur, keep away from the appliance and immediately call your fire department. Do not attempt to extinguish an oil or grease fire with water.

FAILURE TO FOLLOW THESE INSTRUCTIONS COULD RESULT IN FIRE OR EXPLOSION WHICH COULD CAUSE PROPERTY DAMAGE, PERSONAL INJURY OR DEATH.

**CARBON MONOXIDE HAZARD**

Burning charcoal or wood chips gives off carbon monoxide, which has no odor and can cause death. DO NOT burn charcoal or wood chips inside homes, vehicles, tents, garages, or any enclosed areas. USE ONLY OUTDOORS where it is well ventilated.

**DANGER**

1. Do not store a spare LP cylinder under or near this appliance.
2. Never fill the cylinder beyond 80% full.
3. If the information in (1) and (2) is not followed exactly, a fire causing death or serious injury may occur.

**WARNINGS AND IMPORTANT SAFEGUARDS**

DANGER: LIQUID PROPANE (LP) GAS IS FLAMMABLE AND HAZARDOUS IF HANDLED IMPROPERLY. KNOW ITS CHARACTERISTICS BEFORE USING ANY PROPANE PRODUCT.

- In its natural state propane has no odor. For your safety, an odorant has been added.
- Contact with propane can cause freeze burns to skin.
- This grill is shipped from the factory for propane gas use only.
- Never use a propane cylinder with a damaged body, valve, collar or footing.
- Dented or rusted propane cylinders may be hazardous and should be checked by your propane gas supplier.



WARNINGS AND IMPORTANT SAFEGUARDS



- Grill is for OUTDOOR HOUSEHOLD USE ONLY.
- Do not touch metal parts of grill until it has completely cooled (about 45 minutes) to avoid burns, unless you are wearing protective gear (BBQ mittens, pot holders, etc.).
- Do not alter this grill in any manner.
- Keep the grill's valve compartment, burners and circulating air passages clean. Inspect the grill before each use.
- This grill is for outside use only, and should not be used in a building, garage or any other enclosed area.
- The use of alcohol, prescription or non-prescription drugs may impair the operator's ability to properly assemble or safely operate the grill.
- Always open grill lid slowly and carefully as heat and steam trapped within the grill can burn you severely.
- Always place your grill on a hard, level surface far away from combustibles.
- Do not leave a lit grill unattended. Keep children and pets away from the grill at all times.
- Do not use the grill in high winds.
- Do not cover cooking grates or other components with aluminum foil, as this blocks ventilation and may damage the grill or cause personal injury.
- Do not use any other regulator assembly other than the one supplied with your grill. Replacement regulator assembly must be part number 9003180097, obtained by contacting customer service at 1-800-489-1581.
- Do not store or use gasoline or other flammable liquids or vapors in the vicinity of this or any other appliance.
- An LP cylinder not connected for use shall not be stored in the vicinity of this or any other appliance.
- When cooking with oil/grease, do not allow the oil/grease to exceed 350°F (177°C). Do not store or use extra cooking oil in the vicinity of this or any other appliance.
- This grill is for use with propane gas only (propane gas cylinder not included).
- Never attempt to attach this grill to a self-contained propane system of a camper trailer, motor home or house.
- Never use charcoal or lighter fluid with the gas grill.
- Do not use gasoline, kerosene or alcohol for lighting. The LP-gas supply cylinder must be constructed and marked in accordance with the specifications for propane gas cylinders of the U.S. Department of Transportation (DOT) CFR 49.
- This grill is not intended to be used in or installed on recreational vehicles and/or boats.
- Do not attempt to move the grill while it is lit.
- Do not use the grill unless it is completely assembled and all parts are securely fastened and tightened.
- Keep all combustible items and surfaces at least 10 ft. (3 m) away from grill at all times.
- DO NOT use this grill or any gas product near unprotected combustible construction.
- Do not use in an explosive atmosphere. Keep grill area clear and free from combustible materials, gasoline and other flammable vapors and liquids.
- The appliance shall not be located or used under overhead unprotected combustible construction.
- The appliance is not intended for commercial use.
- This appliance is not intended for and should never be used as a heater.

Structural Proximity and Safe Usage Recommendations

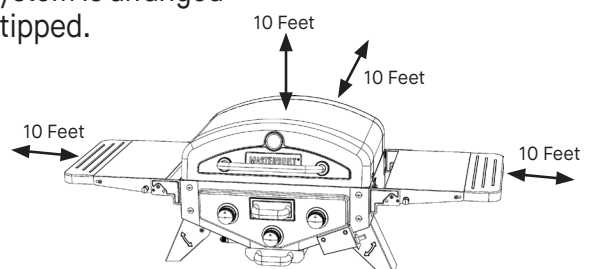
Before using smoker check wind direction and place cylinder DOWNWIND 12" in upright position. This is necessary so that cylinder supply system is arranged for vapor withdrawal and prevent cylinder from striking unit if tipped.



WARNING

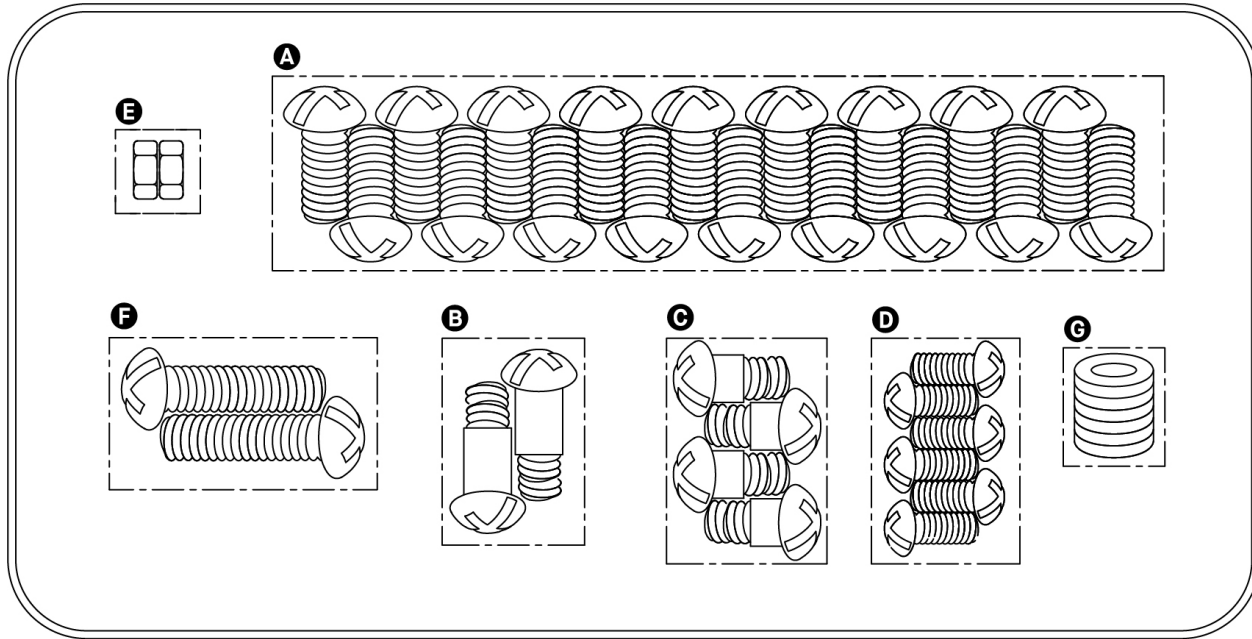


Hose is a trip hazard that could cause supply cylinder to tip.



Hardware List

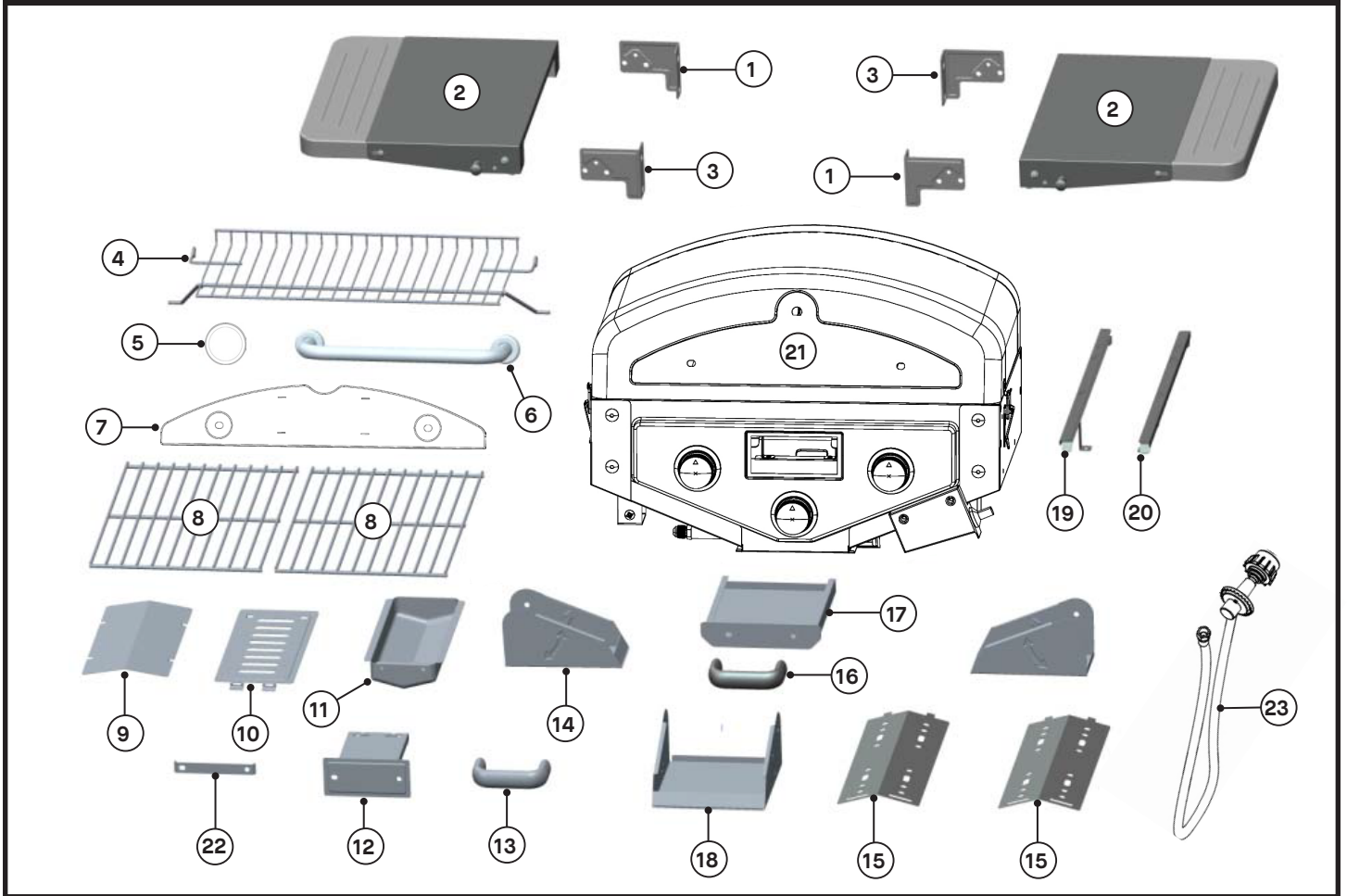
- **BEFORE ASSEMBLY READ ALL INSTRUCTIONS CAREFULLY.**
- Assemble on a clean flat surface.
- Tools needed: Adjustable wrench or pliers, Phillips head screwdriver
- Approximate assembly time: 20 minute
- Actual product may differ from picture shown.
- It is possible that some assembly steps have been completed in the factory.



Hardware Pack

Qty		Description
18	A	M6 x 12 Combo Truss Head Bolts, Black Nickel Plated
2	B	M5 x 17 Shoulder Bolts, Black Nickel Plated
4	C	M5 x 12 Shoulder Bolts, Black Nickel Plated
6	D	M5 x 10 Combo Truss Head Bolts, Black Nickel Plated
2	E	M5 Nuts
2	F	M6 x 20 Combo Truss Head Bolts, Black Nickel Plated
6	G	Spring Washers

Parts List



NO	QTY	DESCRIPTION
1	2	Side Shelf Left Bracket
2	2	Side Shelf
3	2	Side Shelf Right Bracket
4	1	Warming Rack
5	1	Heat Indicator
6	1	Lid Handle
7	1	Lid Decorative Plate
8	2	Cooking Grid
9	1	Wood Chip Box Tent
10	1	Wood Chip Box Lid
11	1	Wood Chip Box
12	1	Wood Chip Box Front Panel Assembly

NO	QTY	DESCRIPTION
13	1	Wood Chip Box Handle
14	2	Side Supporting Leg
15	2	Heat Tent
16	1	Grease Tray Handle
17	1	Grease Tray
18	1	Rear Supporting Leg
19	1	Wood Chip Box Left Rail
20	1	Wood Chip Box Right Rail
21	1	Grill Lid and Firebox Assembly
22	1	Wood Chip Box Lock
23	1	Hose, Valve and Regulator (<i>preassembled</i>)



DO NOT RETURN TO RETAILER for assembly assistance, missing or damaged parts. Please contact MASTERBUILT customer service at 1-800-489-1581 or support.masterbuilt.com. Please have the model number and serial number available. These numbers are located on the silver rating label on the smoker.

SAVE THESE INSTRUCTIONS

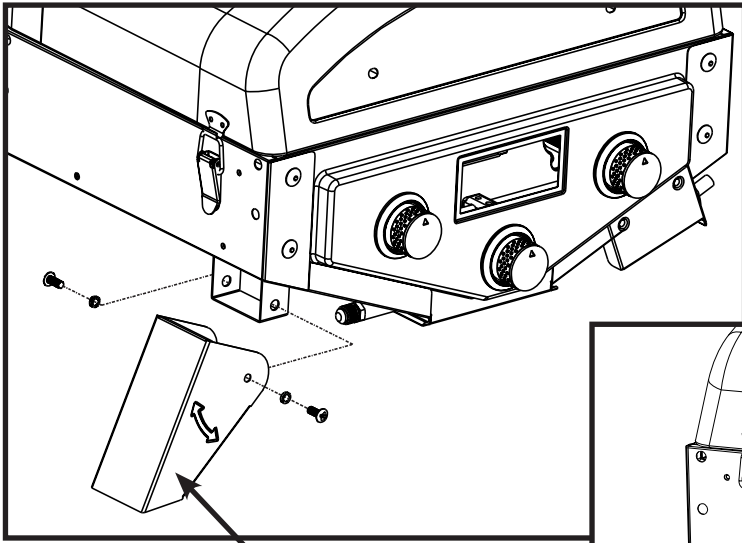
1

STEP 1:

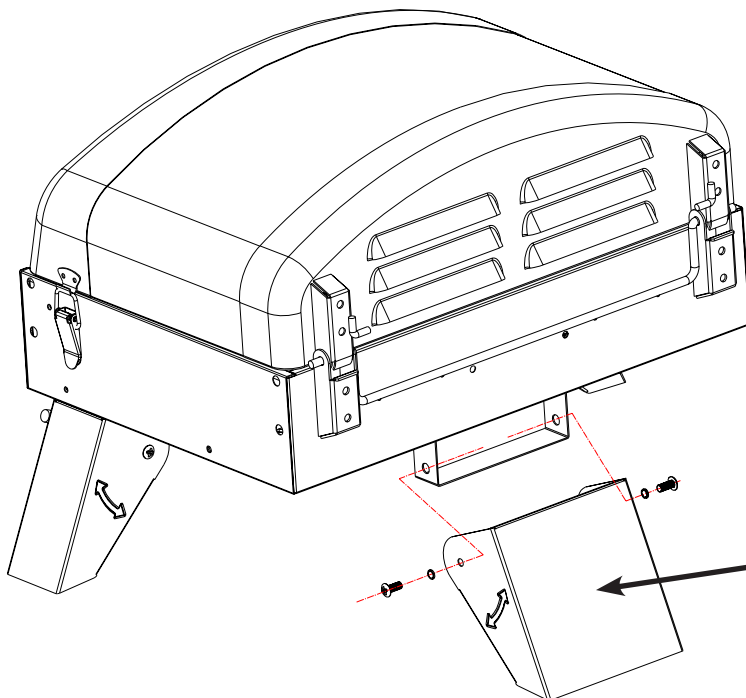
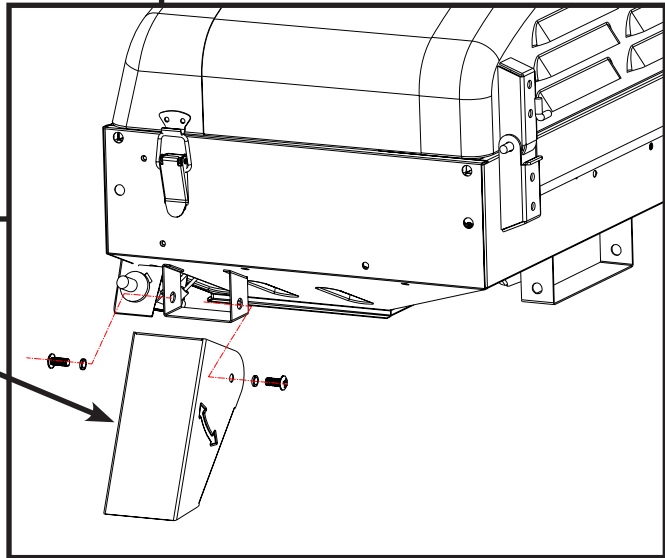
Leg Assembly

Hardware Needed:

- A** (6) M6x12 Bolts
- G** (6) Spring Washers



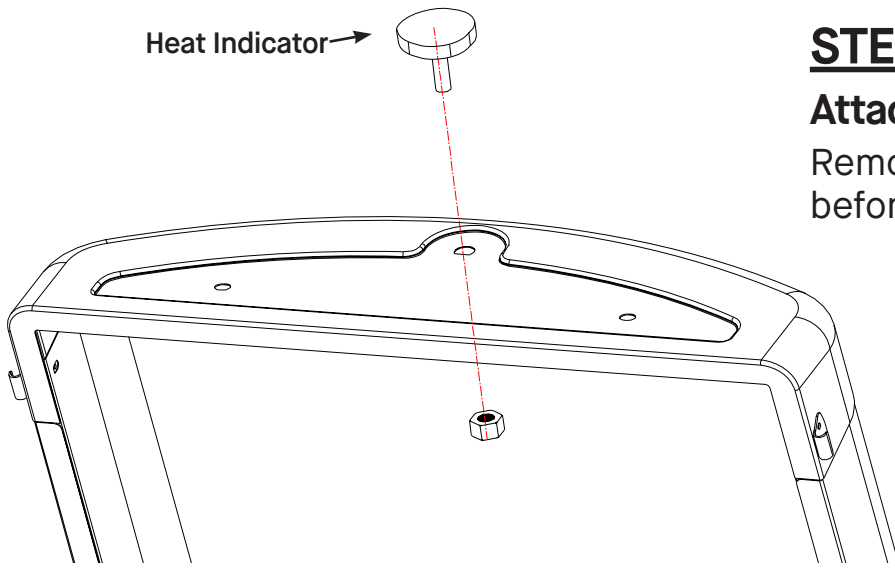
Side Supporting Legs



Rear Supporting Leg

Assembly

Heat Indicator →



STEP 2:

Attach Heat Indicator

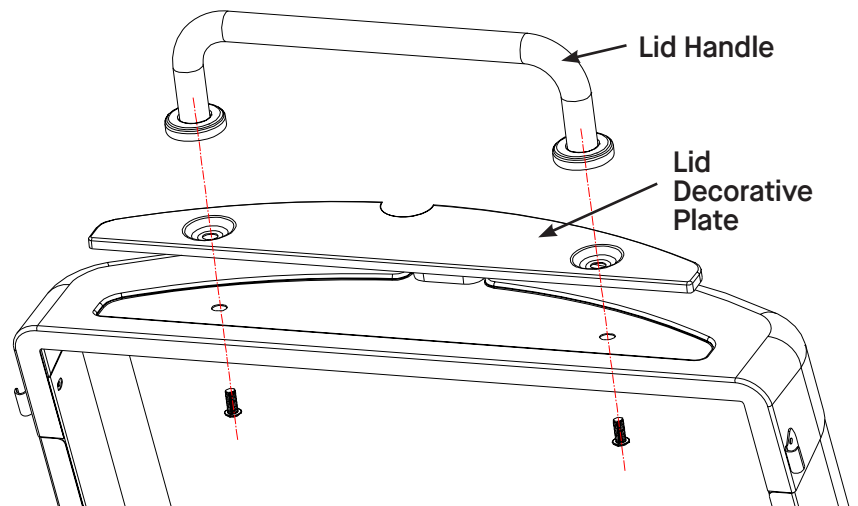
Remove nut from Heat Indicator first before attaching to Grill Lid.

STEP 3:

Attach Lid Decorative Plate and Lid Handle

Hardware Needed:

F (2) M6x20 bolts

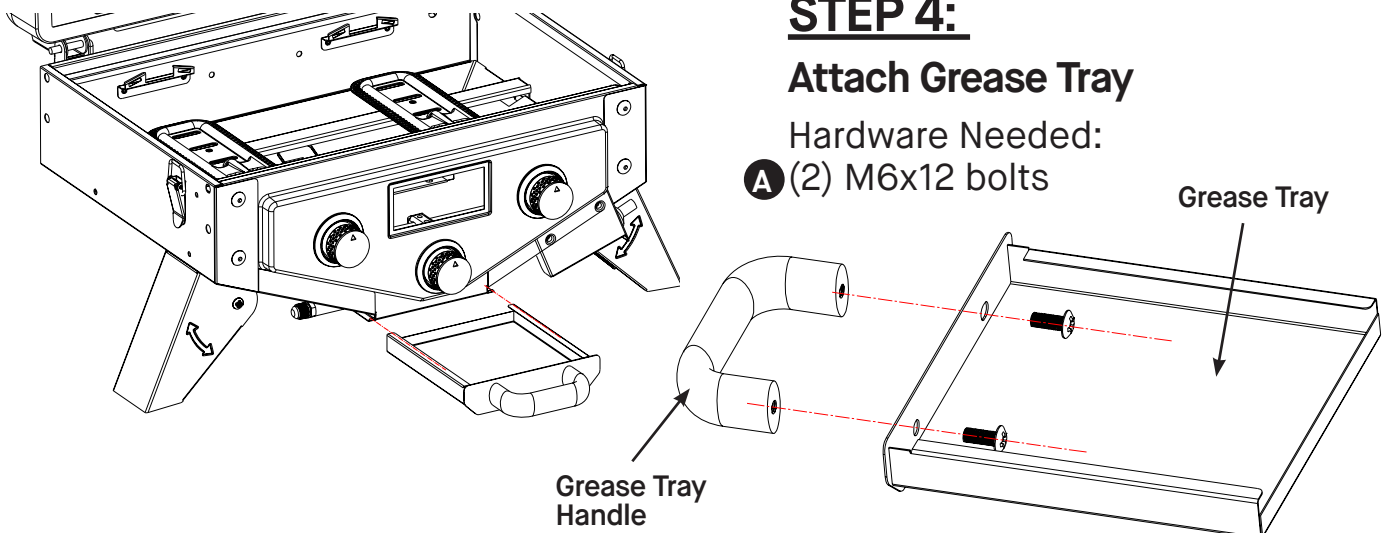


STEP 4:

Attach Grease Tray

Hardware Needed:

A (2) M6x12 bolts



STEP 5:

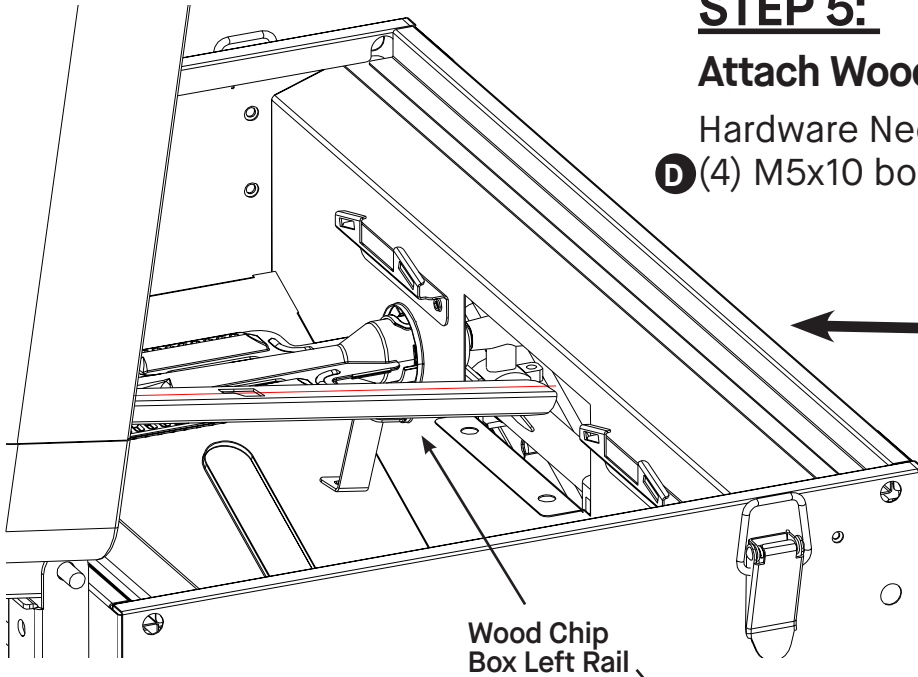
Attach Wood Chip Box Rails

Hardware Needed:

D (4) M5x10 bolts

STEP 5A

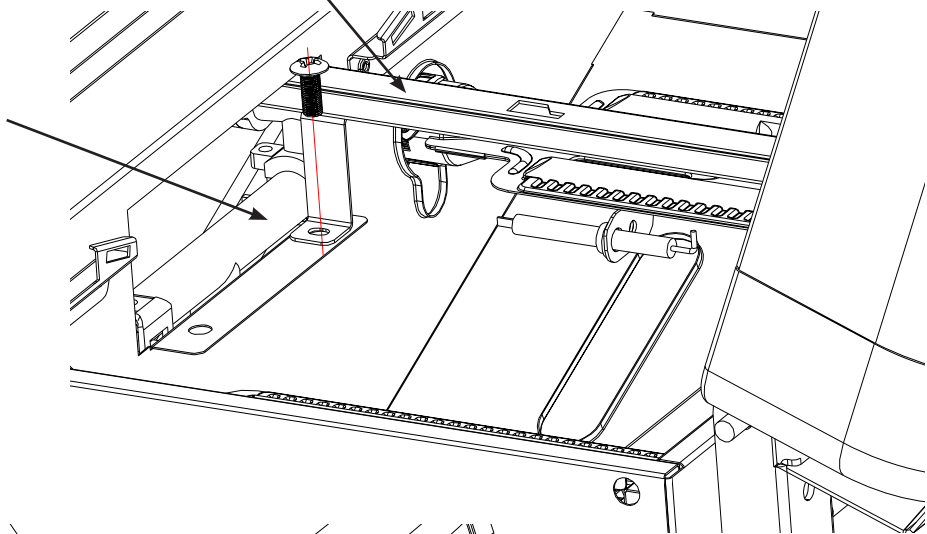
Push the Wood Chip Box Left Rail into the rectangular hole in the Front Panel of the Firebox.



Wood Chip Box Left Rail

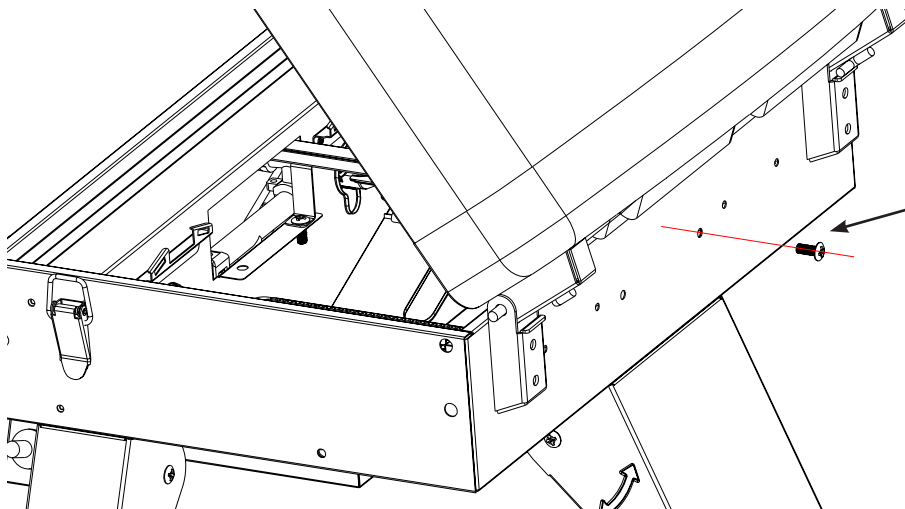
STEP 5B

Attach the bracket of the Wood Chip Box Left Rail to the left side of the front panel.



STEP 5C

Attach the bracket to the left side of the rear panel.



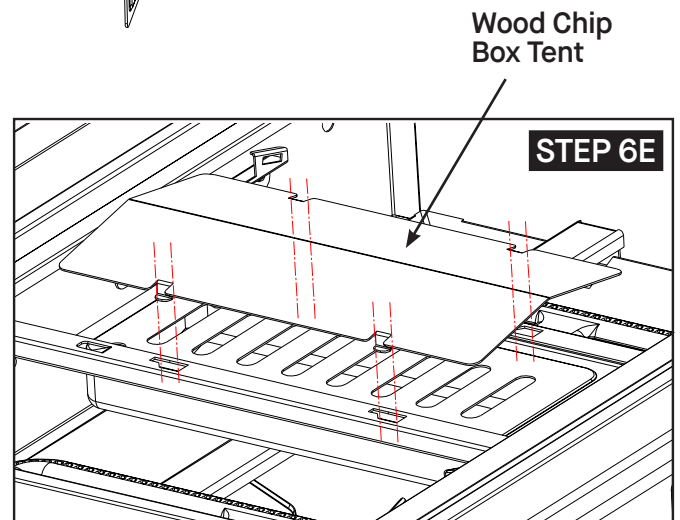
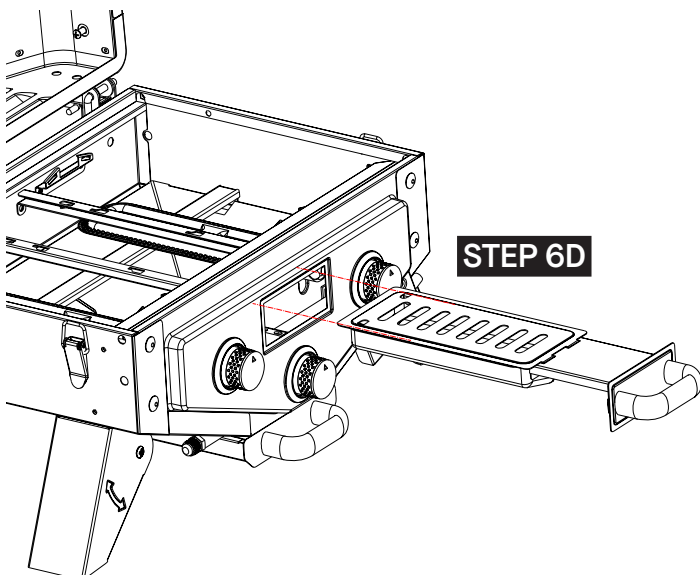
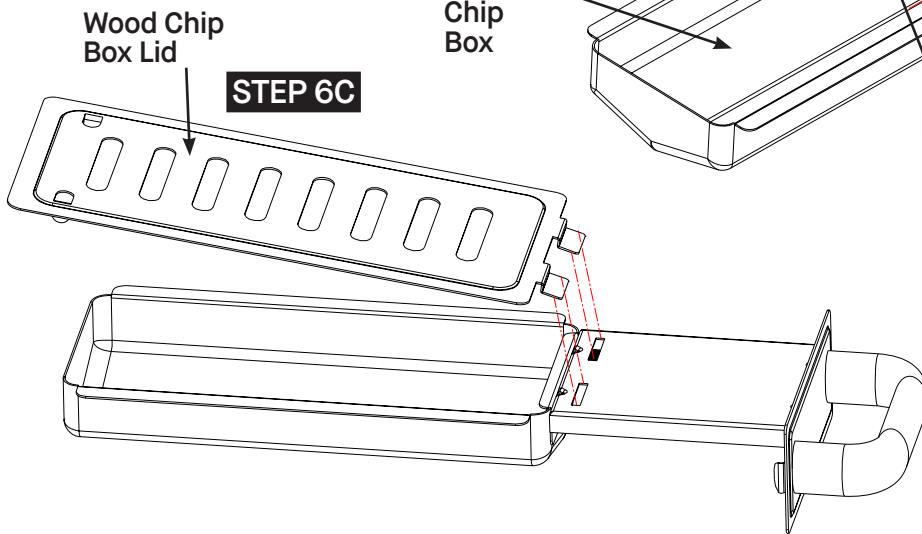
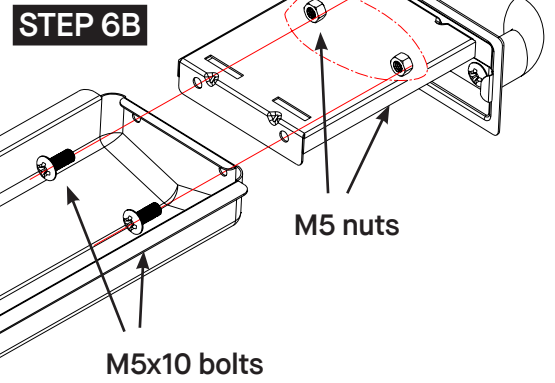
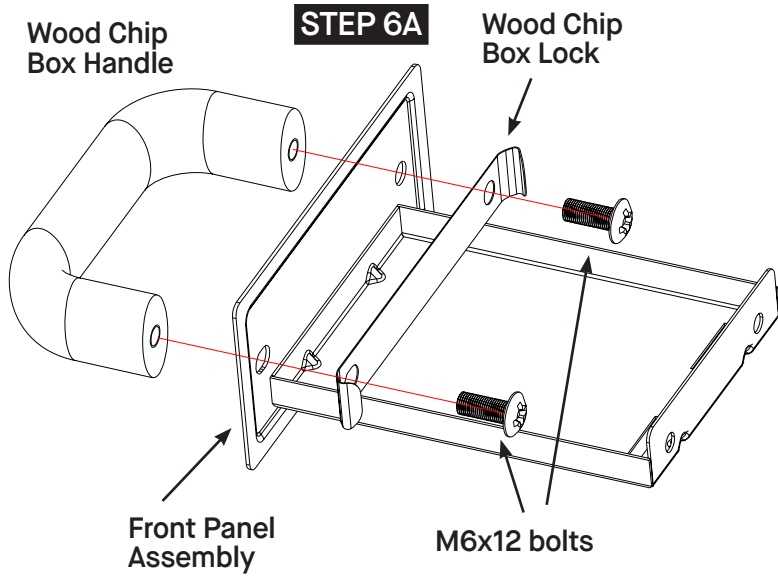
Repeat this procedure for attaching the Wood Chip Box Right Rail.

Assembly

STEP 6: **Attach Wood Chip Box** **Assembly**

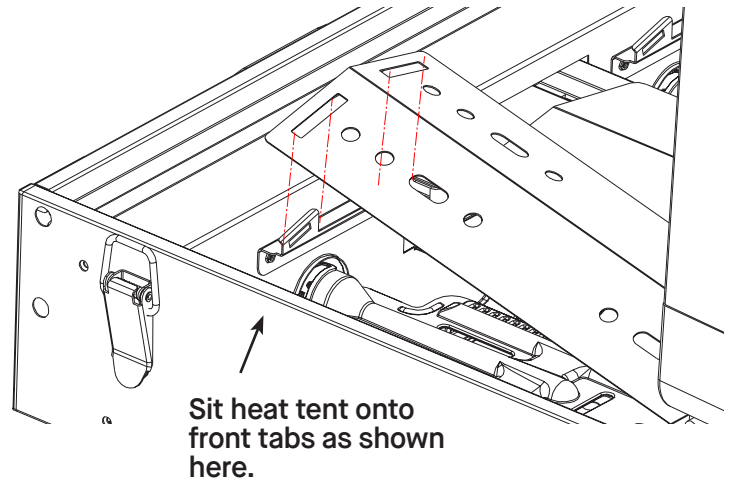
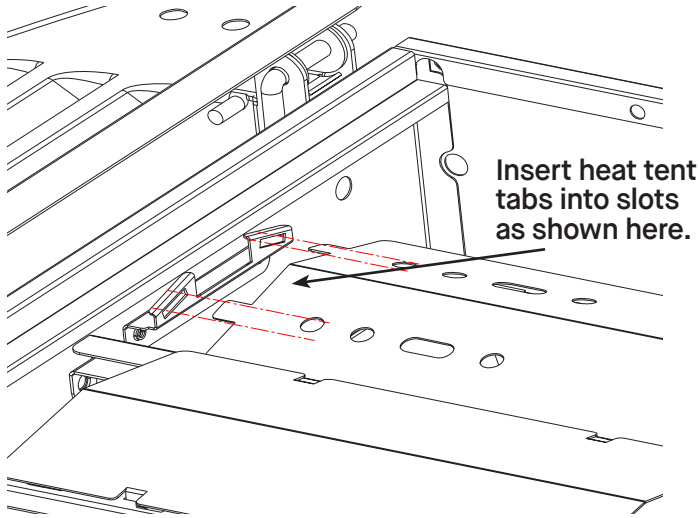
Hardware Needed:

- A** (2) M6x12 bolts
- D** (2) M5x10 bolts
- E** (2) M5 nuts



STEP 7:

Attach Heat Tents



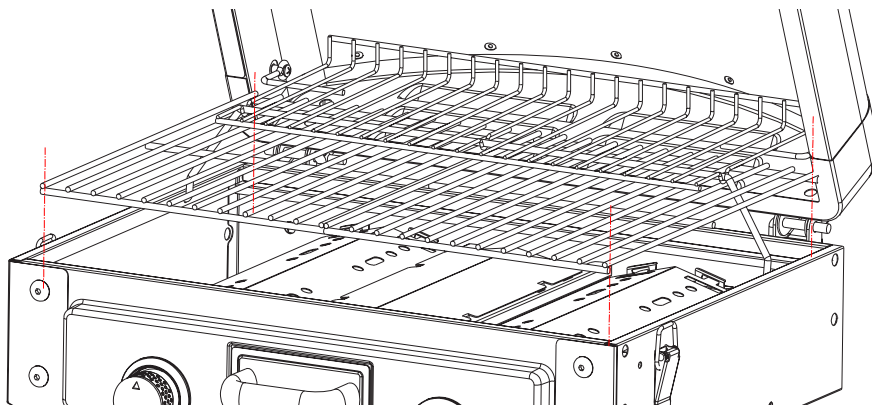
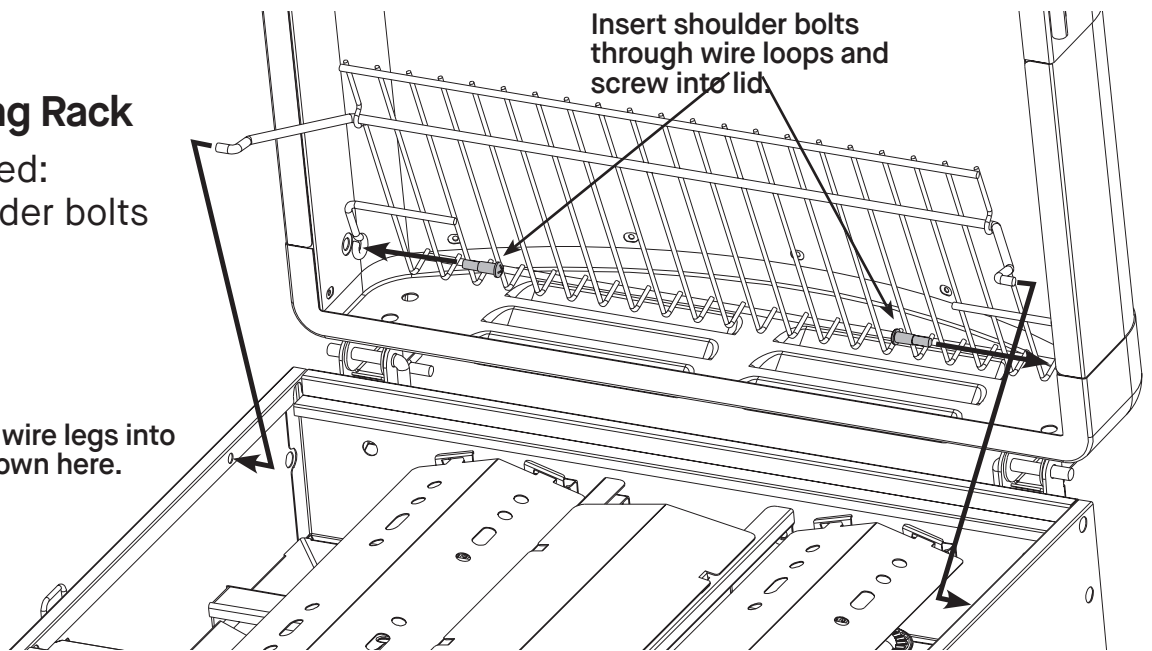
STEP 8:

Attach Warming Rack

Hardware Needed:

B (2) M5x17 shoulder bolts

Insert front wire legs into holes as shown here.

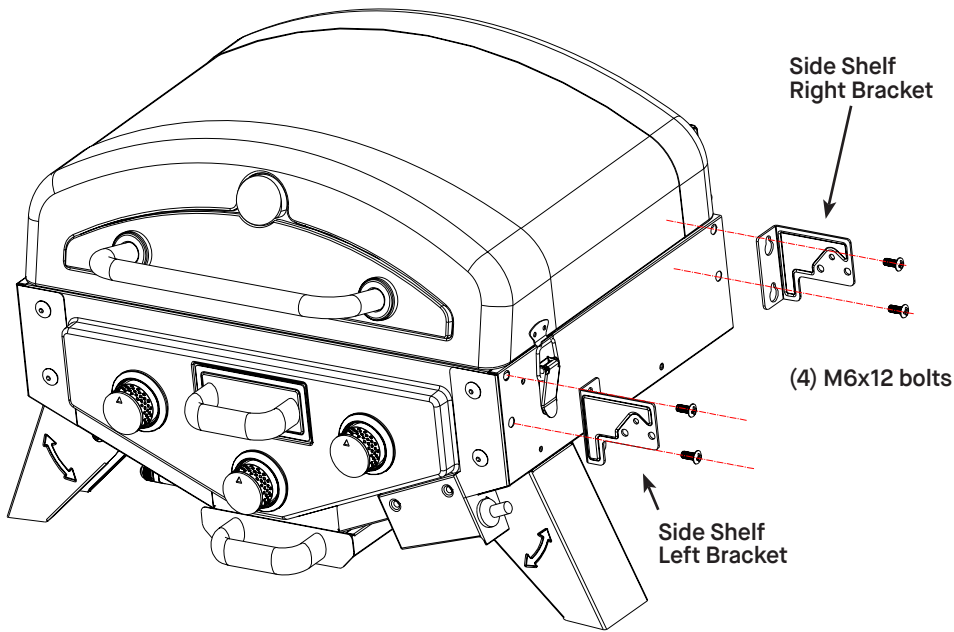


STEP 9:

Insert Cooking Grids

STEP 10: **Attach Side Shelf** **Brackets**

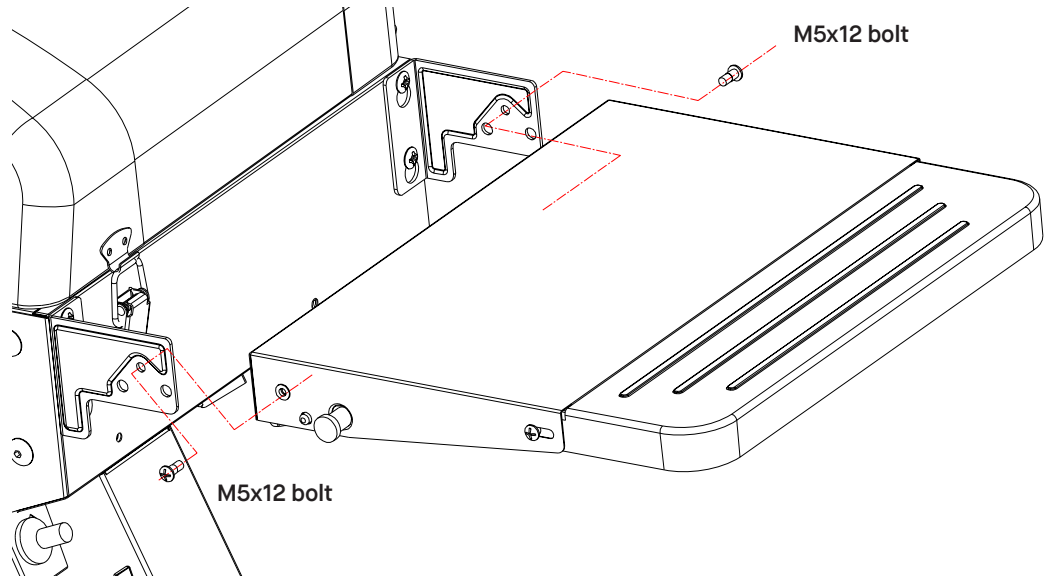
Hardware Needed:
Ⓐ (8) M6x12 bolts



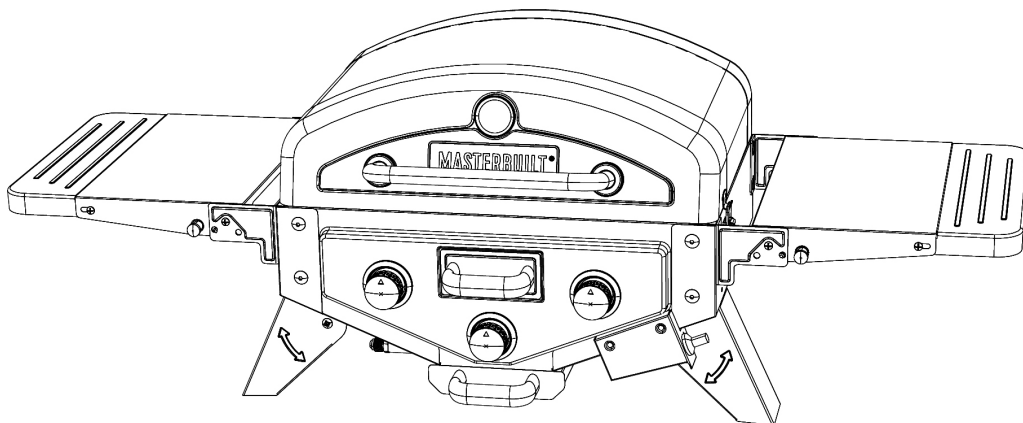
STEP 11: **Attach Side Shelf**

Hardware Needed:
(4) M5x12 bolts

Repeat steps 10 and 11 for attaching the other side table.



ASSEMBLY OF YOUR GRILL IS NOW COMPLETE.



FOR YOUR SAFETY, FOLLOW ALL SAFE GUARDS AND INSTRUCTIONS.

Operating Instructions

WARNINGS AND SPECIFICATIONS

- Only connect this grill to a Type 1 cylinder valve. The Type 1 valve can be identified with the large external threads on the valve outlet.
- Do NOT connect to a propane cylinder exceeding a 20 lb. (9.1 kg) capacity.
- Do NOT connect to a cylinder that uses any other type of valve connection device.
- Inspect the propane tank valve rubber seal for cracks, wear or deterioration prior to use. A damaged rubber seal can cause a gas leak, possibly resulting in an explosion, fire or severe bodily harm.
- Turn off the cylinder valve when your grill is not in use.
- Handle the tank with care.
- Always secure the cylinder in an upright position.
- Never connect an unregulated LP gas cylinder to your grill.
- DO NOT expose LP gas cylinders to excessive heat or ignition sources.
- DO NOT store a spare LP gas cylinder under or near your grill.
- Never fill an LP cylinder beyond 80% full.
- If the instructions above are not followed exactly, a fire causing death or serious injury may occur.
- Read and follow all warnings and instructions that are on the cylinder and that accompany this product.

DANGER

- DO NOT store a spare LP gas cylinder (full or empty) under or near your grill. This could cause excess pressure to be expelled through the vapor relief valve resulting in fire, explosion, or severe personal injury, including death.
- Propane gas is heavier than air and will collect in low areas. Proper ventilation is extremely important. Keep the ventilation opening(s) of the LP gas cylinder enclosure free and clear from obstructions and debris.
- DO NOT insert any foreign objects into the cylinder valve outlet as this could damage the rubber seal. Do not use propane tank with a damaged rubber seal. A damaged rubber seal can cause a gas leak, possibly resulting in explosion, fire, severe bodily harm, or death. Inspect rubber seal for cracks, wear or deterioration prior to use.
- Always keep cylinder (tank) in upright position during use, transit or storage.

WARNINGS AND SPECIFICATIONS

- DO NOT attempt to connect grill, as purchased for LP (propane) gas, to any other fuel supply source such as a natural gas line.
- Do not use any other pressure regulator/hose assembly other than the one supplied with your grill. Replacement pressure regulator/hose assembly must be part # KR101, which can be obtained by contacting customer service at 1-800-489-1581 (Monday–Friday, 8:00 am–5:00 pm, EST)
- Do not attempt to adjust or repair a regulator. Ensure the tank valve is closed prior to connecting the LP gas cylinder to your grill. Turn the valve knob clockwise to properly close the valve. Read and follow all instructions and warnings on the supply hose safety tags. Read and follow all warnings in this manual concerning the safe use of LP gas cylinders and the hose and regulator before connecting cylinder to grill. Read and follow all warnings on the LP cylinder.

Operating Instructions

LP GAS CYLINDER (TANK) SPECIFICATIONS:

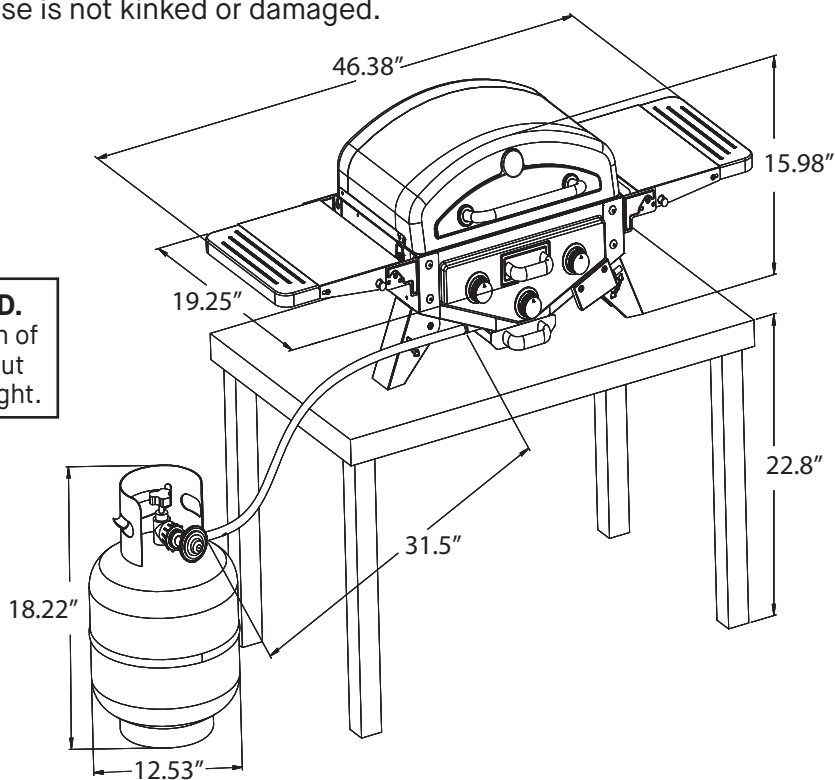
When purchasing or exchanging a cylinder for your gas grill, it must be:

1. Constructed and marked in accordance with the specifications for LP gas cylinders of the U.S. Department of Transportation (DOT), and
2. Provided with a listed over-filling prevention device (OPD), and
3. Provided with a cylinder connection device compatible with the connection for outdoor cooking appliance.

INSTALLING THE LP GAS CYLINDER (TANK) TO THE GRILL:

1. Make sure tank is sitting securely on a flat level surface.
2. Check that the cylinder valve is closed by turning the knob clockwise.
3. Orient the cylinder such that the hose is not kinked or damaged.

WARNING: HOSE IS A TRIP HAZARD.
Recommended that the minimum length of hose route is over 31.5", suggested to put the grill on a fireproof table of 22.8" height.



The cylinder must also be equipped with:

- A shut-off valve terminating in a Type 1 gas cylinder valve outlet.
- A Type 1 valve that prevents gas flow until a positive seal is obtained.
- An arrangement for vapor withdrawal.
- A collar to protect the cylinder shut-off valve.
- A safety relief device having direct communication with the vapor space of the cylinder.
- A listed over-filling prevention device (OPD).

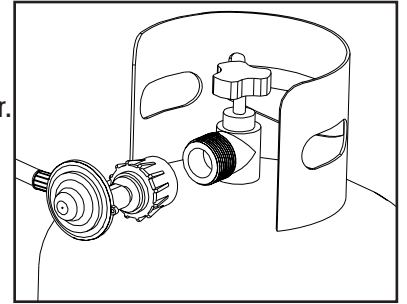
BEFORE STORING YOUR GRILL:

- Ensure that the cylinder valve is fully closed.
- Clean all surfaces. Lightly coat the burners with cooking oil to prevent excess rusting.
- If storing the grill indoors, disconnect the LP tank and leave the LP tank OUTDOORS.
- Place dust cap on cylinder valve outlet whenever the cylinder is not in use. Only install the type of dust cap on the cylinder valve outlet that is provided with the cylinder valve. Other types of caps or plugs may result in leakage of propane.

Operating Instructions

CONNECTING THE LP GAS CYLINDER TO THE GRILL:

1. Inspect the propane tank valve rubber seal for cracks, wear or deterioration prior to use. A damaged rubber seal can cause a gas leak, possibly resulting in an explosion, fire or severe bodily harm. Do not use a propane tank with a damaged rubber seal.
2. Attach or detach regulator to the LP gas cylinder only when cylinder is sitting in tank holder.
3. Check that the cylinder valve is closed by turning the knob clockwise.
4. Check that the grill's burner control knobs are in the "OFF" positions.
5. Visually inspect the hose assembly prior to each use for evidence of damage, excess wear, or deterioration. If found, replace the assembly before using your grill. Only the manufacturer's supplied replacement should be used.
6. Remove the protective plastic cap from the cylinder valve.
7. Check that the hose does not contain kinks, does not contact sharp edges, and does not contact surfaces that may become hot during use.
8. Hold regulator and insert the brass nipple into the LP cylinder valve outlet. Ensure that the device is centered properly.
9. Turn the large coupling nut clockwise by hand and tighten to a full stop. Take care not to cross thread the coupling nut onto the cylinder valve. Do not use tools to tighten connection. Note: If you are unable to make the connection, repeat Steps 7-8.



LEAK TESTING:

WARNING: NEVER USE YOUR GRILL WITHOUT LEAK TESTING ALL GAS CONNECTIONS, HOSES AND PROPANE TANK.

DANGER: TO PREVENT FIRE OR EXPLOSION HAZARD:

- Do not smoke or permit ignition sources in the area while conducting a leak test.
- Perform test OUTDOORS in a well ventilated area that is protected from the wind.
- Never perform a leak test with a match or open flame.
- Never perform a leak test while the grill is in use or while grill is still hot.

WHEN TO PERFORM A LEAK TEST:

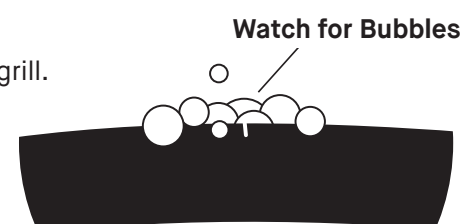
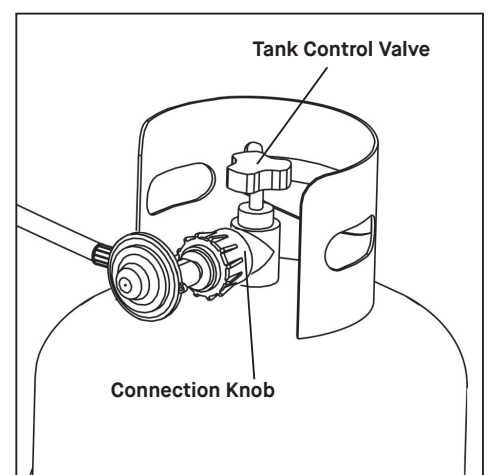
- A leak test should be performed each time the unit is operated.

CHECKING FOR LEAKS:

CAUTION: Strong odors, colds, sinus congestion, etc. may prevent the detection of propane by smell. Use caution and common sense when testing for leaks.

Note: The leak test must be performed in an area that is quiet, out of the wind, and has adequate lighting in order to see if bubbles are developing or so larger leaks can be detected by smell or sound.

1. Create a mixture of 50% water and 50% liquid dishwashing soap.
2. Open the doors.
3. Ensure all control knobs are set to the "OFF" position.
4. Turn on the gas at the Propane Tank Valve. Turn the Valve knob counter-clockwise to fully open. If you hear a rushing sound or smell gas, turn the gas off. Tighten any leaking connections. If leak is detected at connection knob and tightening does not stop leak, re-inspect propane tank rubber seal.
5. Apply the soapy water mixture to the hose and connections.
6. Check for bubbles, which indicates a leak. Large leaks may not be detected by bubbles but should produce a rushing sound or gas smell.
7. Turn off gas supply at Propane Tank Valve.
8. Turn on control knobs to release gas pressure in hose.
9. Turn control knobs to "OFF" position.
10. Tighten any leaking connections. If leak is detected at connection nut and tightening does not stop leak, reinspect propane tank rubber seal.
11. Repeat soapy water test until no leaks are detected.
12. Turn off gas supply at Propane Tank Valve until you are ready to use your grill.
13. Wash off soapy residue with cold water and towel dry.
14. Wait 5 minutes to allow all gas to evacuate the area before lighting grill.



WARNING: DO NOT use the grill if leaks cannot be stopped. Turn off gas and grill. Contact Masterbuilt. 1-800-489-1581

Operating Instructions



WARNING: Read, understand and follow all warnings and instructions contained in this manual.

DO NOT skip any of the warnings and instructions contained in the preceding sections of this manual.

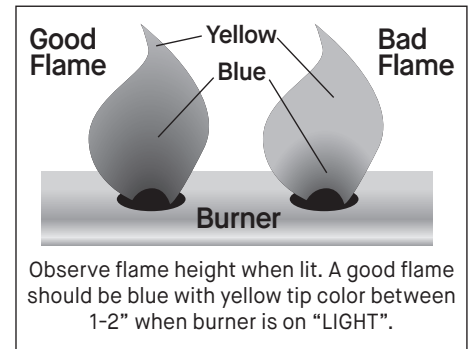


Follow the instructions exactly.

1. OPEN THE GRILL LID before attempting to light a burner so that fumes do not accumulate inside the grill. An explosion could occur if grill lid is down.
2. Check that the regulator control knob is turned to the "OFF" position.
3. DO NOT stand with head, body, or arms over the grill when lighting.

LIGHTING THE GRILL:

1. Open lid before lighting burner.
2. Make sure the regulator control knob is in the "OFF" position.
3. Push in and turn regulator knob counterclockwise to "LIGHT".
4. Push igniter button to light burner.
5. If ignition does NOT occur in 5 seconds, turn regulator control knob to OFF, wait 5 minutes to allow gas to dissipate and repeat lighting procedure.
6. IF the igniter does NOT light burner, you can light it with a match or butane lighter by removing one of the cooking grids. Then place it next an opening in the heat tent. Then follow the lighting procedure above.



OPERATING THE GRILL:

- Read and follow all warnings and instructions contained in the preceding sections of this manual.
- Never use charcoal, lava rocks or wood briquettes in a gas grill. Flavoring chips must be contained in a metal smoking box to contain ash and prevent fires.
- DO NOT cover cooking grids or other components with aluminum foil, as this blocks ventilation and damage to grill or personal injury may occur.
- DO NOT leave your grill unattended while "ON" or in use.
- DO NOT move grill when in use.
- DO NOT use water on a grease fire. Closing the lid to extinguish a grease fire is not possible. Use type BC dry chemical fire extinguisher or smother with dirt, sand or baking soda.
- Never cook on the grill without the grease cup/tray in place.

SEASONING THE GRILL:

- In manufacturing and preserving the components of your grill, oil residue may be present on the burners and cooking surfaces of your grill.
- Before cooking on your grill for the first time you should preheat it for 15 minutes on "LIGHT" to burn off these residual oils.

PREHEATING THE GRILL:

- Prior to each use, it is recommended that you preheat your grill. This ensures that the grilling surfaces are at the desired temperatures to sear the food when cooking. After lighting your grill, set the main burner control knobs to the "LIGHT" position for 5 to 10 minutes. Close the lid during preheat period.

Operating Instructions

CONTROLLING FLARE-UPS AND GREASE FIRES:

- Flare-ups are a part of cooking meats on a gas grill. This adds to the unique flavor of cooking on a gas grill.
- Use caution when opening the lid as sudden flare-ups may occur. Excessive flare-ups can over-cook your food and cause a dangerous situation for you and your grill.
- Excessive flare-ups result from the build-up of grease in your grill. If this should occur, DO NOT pour water onto the flames. This can cause the grease to splatter and could result in serious burns or bodily harm.
- If grease fire occurs while lid is open, leave lid open, turn burner knobs to "OFF", turn off LP cylinder valve. If possible, relocate food to a different section of cooking grate and allow grease to burn out or smother the flames with baking soda.
- If grease fire occurs while lid is closed, leave lid closed, because a sudden burst of air may increase flames. Turn regulator knobs to "OFF" to allow grease to burn out.

TO MINIMIZE FLARE-UPS:

- Trim excess fat from meats prior to cooking.
- Cook meats with high fat contents (chicken or pork) on Low settings or indirectly.
- Ensure that your grill is on level ground and the grease is allowed to evacuate the grill through the drain hole in the bottom and into grease cup/tray.
- Clean your grill and heat tent remove food residue frequently to minimize grease buildup.

TURNING OFF THE GRILL:

- Turn off the regulator control knob. NOTE: Remove propane cylinder from regulator when grill is not in use.

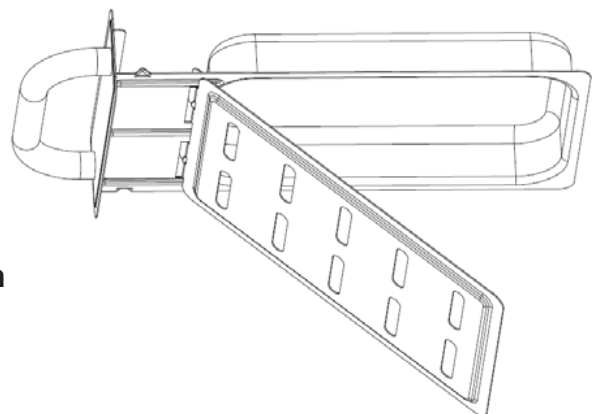
ADDING WOOD (Optional):

To add wood before cooking, simply fill the wood chip box with your choice of flavoring hardwood chips. The amount and type of wood you use is entirely up to you. One full box is typically enough for 30 minutes of smoking. Once the box is filled with wood, slide the box into the grill.

Note: We recommend soaking the wood chips in a bowl of water for at least 20 minutes to help produce more smoke and to help prevent wood chips from burning up too fast.

CAUTION: The wood chip box gets very hot. Always use protective mitts when handling hot components. To add wood chips while smoking, pull out the wood chip box from the grill. Dump the wood chip ash in a metal container (Preferably with water) to extinguish the wood chip ash. (Note: The wood chip box lid will stay on the wood chip box when dumping the ash) Refill the wood chip box with wood chips, close the lid and slide the wood chip box back into the grill.

Note: We recommend turning off the smoke burner while using the main burners to help prevent the wood chips from catching on fire.



CAUTION: The wood chip box gets very hot. Always use protective mitts when handling hot components.

USING FLAVORED WOOD (Optional):

- Small wood chips work best inside the wood chip box.
- Use dry hardwoods such as hickory, pecan, apple, cherry, or mesquite.
- Most Fruit or nut tree woods produce excellent smoke flavoring.
- Do not use resinous woods such as pine or plywood. These usually produce unpleasant flavoring.
- Experiment with different types and quantities of wood chips. Different wood can also be mixed.
- To produce more smoke and to prevent fast burning, presoak the wood chips in a separate bowl of water for at least 20 minutes, or wrap the chips in perforated aluminum foil.
- Most smoke flavoring occurs within the first hour of cooking. Adding wood chips after the first hour is typically not necessary unless extra smoke flavoring is desired.

Care and Maintenance

CLEANING INTERIOR OF GRILL:

- We recommend cleaning off food residue immediately after cooking by gently scrubbing grates with wire bristle brush and then turning burners to "LIGHT" for approximately 5 minutes.
- The heat from burner will burn off most food/grease residue from grates & heat tents and turn it to an ash like substance which will fall to the bottom of the firebox or grease tray. After the grill cools (approximately 30 minutes) remove grates and heat tent and brush the ash and any grease out of the firebox. Clean and replace grease cup. Inspect the heat tents for damage or deterioration before reinstalling in the grill. (Replacements can be ordered by calling Toll Free: 800-489-1581)
- Wash cooking grids and heat tent with a mild detergent and rinse with hot water periodically if desired.
- Smoke will accumulate inside grill lid and may flake onto your food. Clean the inside of the grill lid with scrub brushes and baking soda/water solution. Dry thoroughly. Do not mistake this for paint. The interior of gas grill lids are not painted.



CAUTION: DO NOT allow ash residue to remain on the grease tray or firebox as it could block proper grease drainage of the grill.



MAINTAINING EXTERIOR OF GRILL:

- To protect your grill from excessive rust, the unit must be kept clean and covered at all times when not in use.
- Painted surfaces. Wash with mild detergent or non-abrasive cleaner and warm soapy water.
- Porcelain surfaces. Because of glass-like composition, most residues can be wiped away with a solution of baking soda and water. Use non-abrasive scouring powder such as baking soda for stubborn stains.

BURNER CLEANING AND MAINTENANCE:

- Keep the appliance free and clear of combustible materials, gasoline and other flammable vapors and liquids.
- Keep the ventilation openings of the cylinder enclosure free and clear of debris.
- Visually check burner flames for proper operation (see pictorial on p.15 Lighting the Grill). Spiders or other insects can nest in the burner causing gas blockage.
- For safe grilling and peak performance of your grill, perform these checks before every use.
- Be sure to tighten up all hardware (nuts, bolts, screws, etc.) at least twice per year.



CAUTION: Some parts may contain sharp edges. Wear protective gloves if necessary.



- Remove the cooking grills, heat distribution plates, and burners from inside your grill. Use a brush with hot water and detergent to remove excess residue. NEVER use a commercial oven cleaner. Rinse completely with water. Towel dry and replace all components as described in the assembly instructions.

BURNER ASSEMBLY / MAINTENANCE:

- Although your burners are constructed of stainless steel, they may corrode as a result of the extreme heat and acids from cooking foods. Regularly inspect the burners for cracks, abnormal holes, and other signs of corrosion damage. If found, replace the burner.
- DO NOT block ventilation areas in sides, back of grill. Burner tube can become blocked by spiders and other insects building their nests. Blocked burner tubes can prevent gas flow to the burners and could result in a burner tube fire or fire beneath the grill.
- To clean the Burner Assembly follow these instructions to clean and/or replace parts of burner assembly or if you have trouble igniting the grill.
 1. Turn gas off at regulator control knob.
 2. Remove cooking grids and heat tent.
 3. Remove the screw attaching the burners at the back of the grill.
 4. Carefully tilt the back of the Burner up and slide it backwards off the valve orifice, then lift out of the grill.
 5. Wipe clean the orifice face.
 6. Use a wire brush to clean the entire outer surface of burner to remove food residue and dirt.
 7. Check burner for damage, if any cracks or holes are found replace burner.
 8. Install burner in grill. IMPORTANT: Burner must slide over nozzle from regulator.
 9. Repeat steps.
 10. Replace heat tent and cooking grids.

Care and Maintenance

TRANSPORTING AND STORAGE:

WARNING:

- Never move a grill when hot or in use.
- Make sure that the regulator knob is in the off position.
- DO NOT store a spare LP gas cylinder (filled or empty) near the grill.
- Never store flammable liquids or spray canisters near the grill.
- Storage of an outdoor cooking gas appliance indoors is permissible only if the cylinder is disconnected and removed from the outdoor cooking gas appliance.
- Cylinders must not be stored in a building or enclosure, including garages and sheds.
- Cylinders must be kept out of reach of children.

BEFORE STORING YOUR GRILL:

- Ensure that the regulator valve is fully closed.
- Clean all surfaces. Lightly coat the burner with cooking oil to prevent excess rusting.
- If storing the grill indoors, disconnect the LP cylinder and leave the cylinder OUTDOORS.
- Place a protective cap cover on the LP cylinder and store the cylinder outdoors in a well ventilated area out of direct sunlight.
- Check and clean burner prior to use after storing, at the beginning of grilling season or after a period of not being used. Spiders and insects like to build nests in burner tubes (especially during colder months). Blocked burner tubes can prevent gas flow to the burners and could result in a burner tube fire or fire beneath the grill. See “Burner Cleaning and Maintenance”. (p.17)
- If storing the grill outdoors, cover the grill with a grill cover for protection from the weather.

Troubleshooting

Problem	Possible Cause	Prevention / Cure
Burner will not light	LP cylinder regulator knob is “off”	Make sure regulator is securely attached to the LP cylinder, turn LP cylinder regulator to “Open”
	LP cylinder is low or empty	Check if LP cylinder is empty. If empty, replace.
	LP cylinder gas leak	1. Turn LP cylinder regulator to “OFF” 2. Wait 5 minutes for gas to clear 3. Follow “Leak Testing” on page 15.
	Tighten regulator connection	See page 14.
	Obstruction of gas flow	Clean burner venturi
	Burner may not be properly seated	Reseat burner and valve. Refer to page 18.
	Spider webs or insect nest in venturi	Clean venturi and burner assembly
	Burner ports clogged or blocked	Clean burner ports
	Wires or electrode covered with cooking residue	Clean wire and/or electrode with rubbing alcohol
	Electrode and burners are wet	Wipe dry with cloth
	Electrode cracked/broken - sparking	Replace electrode
	Wire loose or disconnected	Reconnect wire or replace electrode/wire assembly
	Wire is shorting (sparking) between ignitor and electrode	Replace ignitor wire/electrode assembly
Bad ignitor	Replace ignitor	
Low grill heat	Out of gas	Replace LP cylinder
Irregular flame pattern Irregular flame length	Burner ports are clogged/blocked. Air shutter on burner needs adjustment	Clean burner ports. See page 18.
Flame is yellow or orange	New burner may have residual manufacturing oils	Burn grill for 15 minutes on “LIGHT” with the lid closed
	Spider webs or insect nest in venturi	Clean venturi and burner assembly
	Food residue, grease, etc.	Clean burner assembly
	Poor alignment of valve to burner venturi. Air shutter on burner needs adjustment	Make sure burner venturi is properly engaged with regulator stem. Loosen screw at burner venturi. The air shutter should be between 1/8”-1/4” for proper air and gas mixture.

Masterbuilt 1-Year Limited Warranty

Masterbuilt warrants its products to be free from defects in material and workmanship under proper assembly, normal use and recommended care for 1 year from the date of original retail purchase. The Masterbuilt warranty does not cover paint finish as it may burn off during normal use. The Masterbuilt warranty does not cover rust. Masterbuilt requires proof of purchase for warranty claim, such as a receipt. Upon the expiration of such warranty, all such liability shall terminate.

Within the stated warranty period, Masterbuilt, at its discretion, shall replace defective components free of charge, with the owner being responsible for shipping. Should Masterbuilt require return of component(s) in question for inspection, Masterbuilt will be responsible for shipping charges to return requested item. This warranty excludes property damage sustained due to misuse, abuse, accident, or damage arising out of transportation.

This express warranty is the sole warranty given by Masterbuilt and is in lieu of all other warranties, expressed or implied including implied warranty, merchantability, or fitness for a particular purpose. Neither Masterbuilt nor the retail establishment selling this product has authority to make any warranties or to promise any remedies in addition to or inconsistent with those stated above. Masterbuilt's maximum liability, in any event, shall not exceed the purchase price of the product paid by the original consumer/ purchaser. Some states do not allow the exclusion or limitation of incidental or consequential damages. In such a case, the above limitations or exclusions may not be applicable.

California residents only: Notwithstanding this limitation of warranty, the following specific restrictions apply; if service, repair, or replacement of the product is not commercially practical, the retailer selling the product or Masterbuilt will refund the purchase price paid for the product, less the amount directly attributable to use by the original buyer prior to the discovery of the nonconformity. Owner may take the product to the retail establishment selling this product in order to obtain performance under warranty. This express warranty gives you specific legal rights, and you may also have other rights which vary from state to state.

Visit masterbuilt.com or complete form below and return to:
Attn: Warranty Registration
Masterbuilt Manufacturing, LLC
1 Masterbuilt Court | Columbus, GA 31907

Name: _____ Address: _____

City: _____

State/Province: _____ Postal Code: _____ Phone Number: _____

E-mail Address: _____

*Model Number: _____ *Serial Number: _____

Purchase Date: _____ - _____ - _____ Place of Purchase: _____

***Model Number and Serial Number are located on silver label on back of grill.**



MASTERBUILT®

Rest assured, we're here to help.

Customer Service
Service à la clientèle
Servicio de atención al cliente

masterbuilt.com/contact

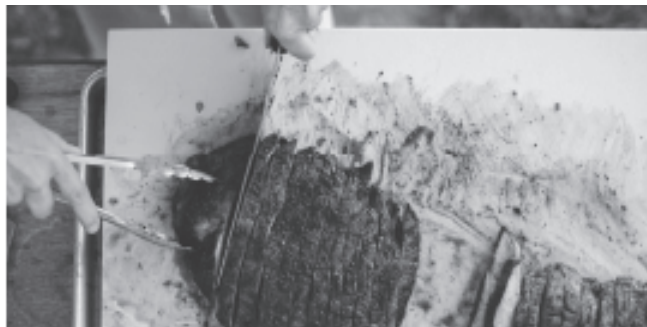
Masterbuilt Manufacturing, LLC
1 Masterbuilt Court | Columbus, GA | 31907

@masterbuilt



1-800-489-1581

masterbuilt.com



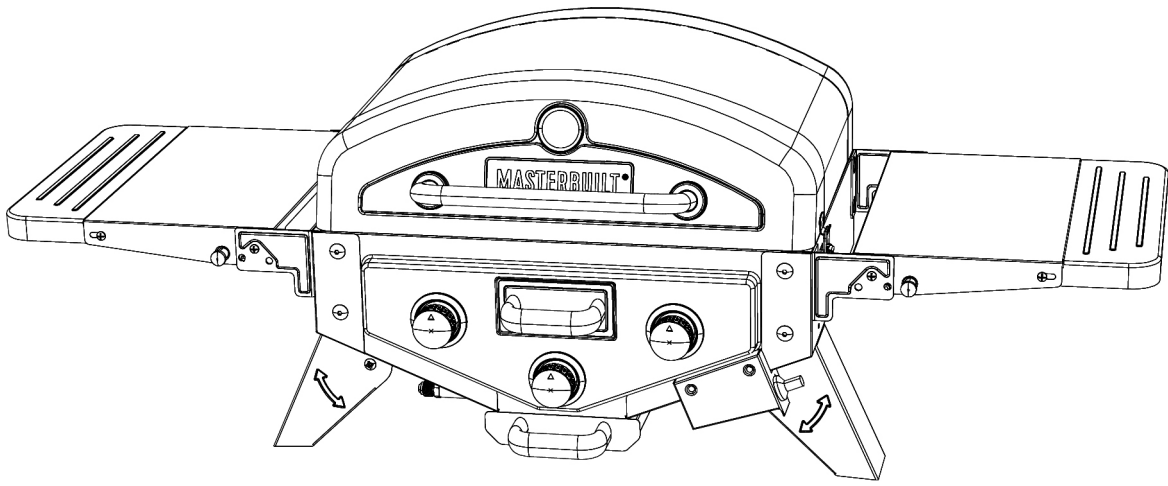


MASTERBUILT®

Bienvenue à la famille. Commençons!

MPG 300S

GRIL DE TABLE AU PROPANE



Manual applies to the following model number(s)
Le manuel s'applique aux numéros de modèle suivants
El manual se aplica a los siguientes números de modelo

MB20030519 • MB20030619

Your model number | Votre numéro de modèle
Su número de modelo

Mfg. Date – Serial Number | Date de fabrication – Numéro de série
Fecha Fabricado - Número de serie

*These numbers are located on the rating label of the unit. | Le numéro de série se trouve sur la plaque signalétique de l'unité.
El número de serie se encuentra en la etiqueta de la unidad.*

IMPORTANT | IMPORTANTE

Please record this information immediately and keep in a safe place for future use.
Veuillez noter cette information immédiatement et la conserver dans un endroit sûr pour une utilisation future.
Por favor, registrar esta información inmediatamente y guardar en un lugar seguro para su uso futuro.



Intertek

Maîtrisez-le. Masterbuilt.

**AVERTISSEMENT**

- Ce manuel contient des informations qui sont nécessaires pour une utilisation sûre et appropriée de cet appareil.
- Lisez et suivez la totalité des avertissements et des instructions fournis avant d'assembler et d'utiliser l'appareil.
- Suivez la totalité des avertissements et des instructions lors de l'utilisation de l'appareil.
- Gardez le tuyau d'alimentation en gaz à distance de toute surface chaude.
- Conservez ce manuel pour référence ultérieure.

**DANGER**

- SI VOUS DÉTECTEZ UNE ODEUR DE GAZ :**
1. Coupez l'alimentation en gaz de l'appareil.
 2. Éteignez toutes les flammes nues.
 3. Ouvrez le couvercle.
 4. Si l'odeur persiste, éloignez-vous de l'appareil et appelez immédiatement le fournisseur de gaz ou le service d'incendie.
- À DÉFAUT DE SUIVRE CES INSTRUCTIONS, UN INCENDIE OU UNE EXPLOSION POURRAIT SURVENIR, ENTRAÎNANT DES DOMMAGES MATÉRIELS OU DES BLESSURES, VOIRE LA MORT.**

**DANGER**

1. Ne laissez jamais l'appareil fonctionner sans surveillance.
2. Ne faites jamais fonctionner cet appareil à moins de 3 m (10 pi) d'une structure ou d'un matériau combustible quelconque, ou encore d'une autre bouteille de gaz.
3. Ne faites jamais fonctionner cet appareil si des liquides inflammables se trouvent dans un rayon de 7,5 m (25 pi).
4. Les liquides chauds peuvent échauffer longtemps après la fin de la cuisson. Ne touchez jamais l'appareil de cuisson avant que les liquides n'aient refroidi à 45 °C (115 °F) ou moins.
5. En cas d'incendie, éloignez-vous de l'appareil et appelez immédiatement le service d'incendie. Ne tentez pas d'éteindre un feu de graisse ou d'huile avec de l'eau.

À DÉFAUT DE SUIVRE CES INSTRUCTIONS, UN INCENDIE OU UNE EXPLOSION POURRAIT SURVENIR, ENTRAÎNANT DES DOMMAGES MATÉRIELS OU DES BLESSURES, VOIRE LA MORT.

**RISQUE LIÉ AU MONOXYDE DE CARBONE**

La combustion de charbon ou de copeaux de bois dégage du monoxyde de carbone qui n'a pas d'odeur et peut causer la mort. **NE brûlez PAS de charbon ou copeaux de bois à l'intérieur d'habitations, de véhicules, de tentes, de garages ou d'espaces fermés.** UTILISEZ UNIQUEMENT À L'EXTÉRIEUR avec de bonnes conditions de ventilation.

**DANGER**

1. Ne pas ranger une bouteille de propane de recharge sous l'appareil ni à proximité de celui-ci.
2. Ne jamais remplir la bouteille à plus de 80 %.
3. Si les instructions dans (1) ou (2) ne sont pas suivies à la lettre, un incendie pouvant entraîner la mort ou des blessures graves est possible.

**AVERTISSEMENTS ET MISES EN GARDE IMPORTANTES**

DANGER : LE GAZ PROPANE LIQUIDE (GPL) EST INFLAMMABLE ET DANGEREUX S'IL N'EST PAS MANIPULÉ CORRECTEMENT. CONNAISSEZ SES CARACTÉRISTIQUES AVANT D'UTILISER TOUT PRODUIT AU PROPANE.

- Dans son état naturel, le propane est inodore. Pour votre sécurité, un odorisant a été ajouté.
- Le contact avec le propane peut causer des brûlures par le froid.
- Ce gril est expédié par l'usine pour être utilisé avec du gaz propane seulement.
- N'utilisez jamais une bouteille de propane dont le corps, le robinet, le collet ou le pied est endommagé.
- Les bouteilles de propane bosselées ou rouillées peuvent être dangereuses et devraient être vérifiées par votre fournisseur de gaz propane.



AVERTISSEMENTS ET MISES EN GARDE IMPORTANTES



- Ce gril est conçu pour une UTILISATION DOMESTIQUE À L'EXTÉRIEUR SEULEMENT.
- Pour éviter les brûlures, ne touchez pas les parties métalliques du gril jusqu'à ce qu'il ait complètement refroidi (environ 45 minutes), sauf si vous portez un équipement de protection (gants pour BBQ, poignées, etc.).
- Ne modifiez ce gril d'aucune façon.
Gardez propres le compartiment du robinet, les brûleurs et les passages de circulation d'air du gril. Inspectez le gril avant chaque usage.
- Ce gril convient uniquement à un usage en extérieur et ne doit pas être utilisé dans un bâtiment, un garage ou un autre endroit fermé.
- La consommation d'alcool ou de médicaments sur ordonnance ou en vente libre peut nuire à la capacité de l'utilisateur d'assembler correctement le gril et de l'utiliser en toute sécurité.
- Ouvrez toujours le couvercle du gril lentement et prudemment, car la chaleur et la vapeur emprisonnées dans le gril peuvent vous causer de graves brûlures.
- Posez toujours le gril sur une surface dure et plane, loin des matières combustibles.
- Ne pas laisser un gril allumé sans surveillance. Gardez les enfants et les animaux à l'écart du gril en tout temps.
- Ne pas utiliser le gril lorsque le temps est très venteux.
- Ne pas couvrir les grilles de cuisson ou d'autres composants avec du papier d'aluminium, car cela bloque la ventilation et pourrait causer des dommages au gril ou des blessures.
- Ne pas utiliser d'assemblage de régulateur autre que celui fourni avec votre gril. L'assemblage de régulateur de rechange doit être le numéro de pièce 9003180097, que vous pouvez vous procurer en téléphonant au service à la clientèle au 1 800-489-1581.
- Ne pas conserver ou utiliser d'essence ou d'autres liquides ou vapeurs inflammables près de cet appareil ou de tout autre appareil.
- Une bouteille de propane non connectée ne doit pas être entreposée près de cet appareil ou de tout autre appareil.
- Pendant la cuisson à l'huile ou à la graisse, ne pas laisser la température de l'huile ou de la graisse dépasser 177 °C (350 °F). Ne pas conserver ou utiliser d'huile de cuisson supplémentaire près de cet appareil ou de tout autre appareil.
- Ce gril ne doit être utilisé qu'avec du gaz propane (la bouteille de propane n'est pas fournie).
- Ne jamais tenter de raccorder ce gril au système de propane autonome d'une roulotte de camping, d'une maison mobile ou d'une maison.
- Ne jamais utiliser de charbon ou de liquide d'allumage avec le gril au gaz.
- Ne pas utiliser d'essence, de kérosène ou d'alcool pour l'allumage. La bouteille de propane utilisée doit être fabriquée et marquée conformément aux spécifications relatives aux bouteilles de propane du département des Transports américain (DOT) (CFR 49).
- Ce gril n'est pas conçu pour être utilisé ou installé sur ou dans un véhicule récréatif ou une embarcation.
- Ne pas tenter de déplacer le gril lorsqu'il est allumé.
- Ne pas utiliser le gril tant qu'il n'est pas complètement assemblé et que les pièces ne sont pas solidement fixées et serrées.
- Gardez la totalité des articles et des surfaces combustibles à au moins 3 m (10 pi) du gril en tout temps.
- NE PAS utiliser ce gril ou tout autre produit au gaz près de constructions combustibles non protégées.
- Ne pas utiliser l'appareil dans une atmosphère explosive. Gardez les alentours du gril libres de tout matériau combustible, d'essence et de tout autre liquide ou gaz inflammable.
- L'appareil ne doit pas être situé ou utilisé sous des constructions combustibles non protégées.
- Cet appareil n'est pas destiné à une utilisation commerciale.
- Cet appareil n'est pas conçu comme chaufferette et ne doit pas être utilisé ainsi.

Proximité avec les structures et recommandations de sécurité lors de l'utilisation

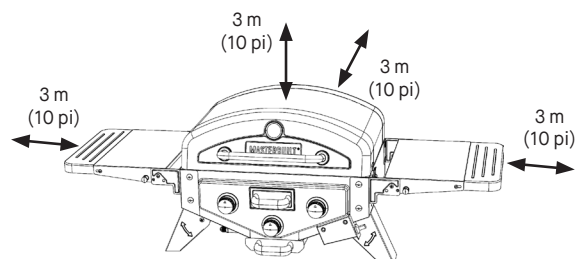
Avant d'utiliser le fumoir, vérifiez la direction du vent et placez la bouteille à 30 cm (12 po) EN AMONT, en position verticale. Cela est nécessaire pour faire en sorte que le système d'alimentation de la bouteille puisse évacuer les vapeurs et empêcher la bouteille de heurter l'appareil si elle bascule.



AVERTISSEMENT



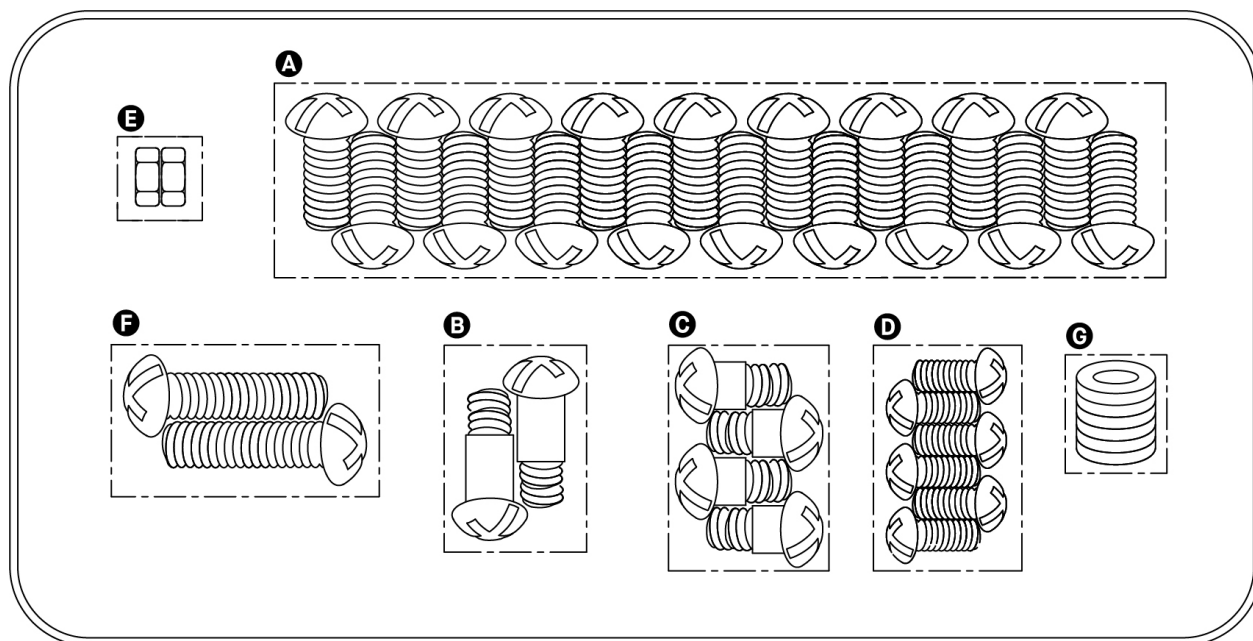
Le tuyau présente un risque de chute qui pourrait faire basculer la bouteille.



Liste de quincaillerie

• AVANT L'ASSEMBLAGE, LIRE ATTENTIVEMENT TOUTES LES INSTRUCTIONS.

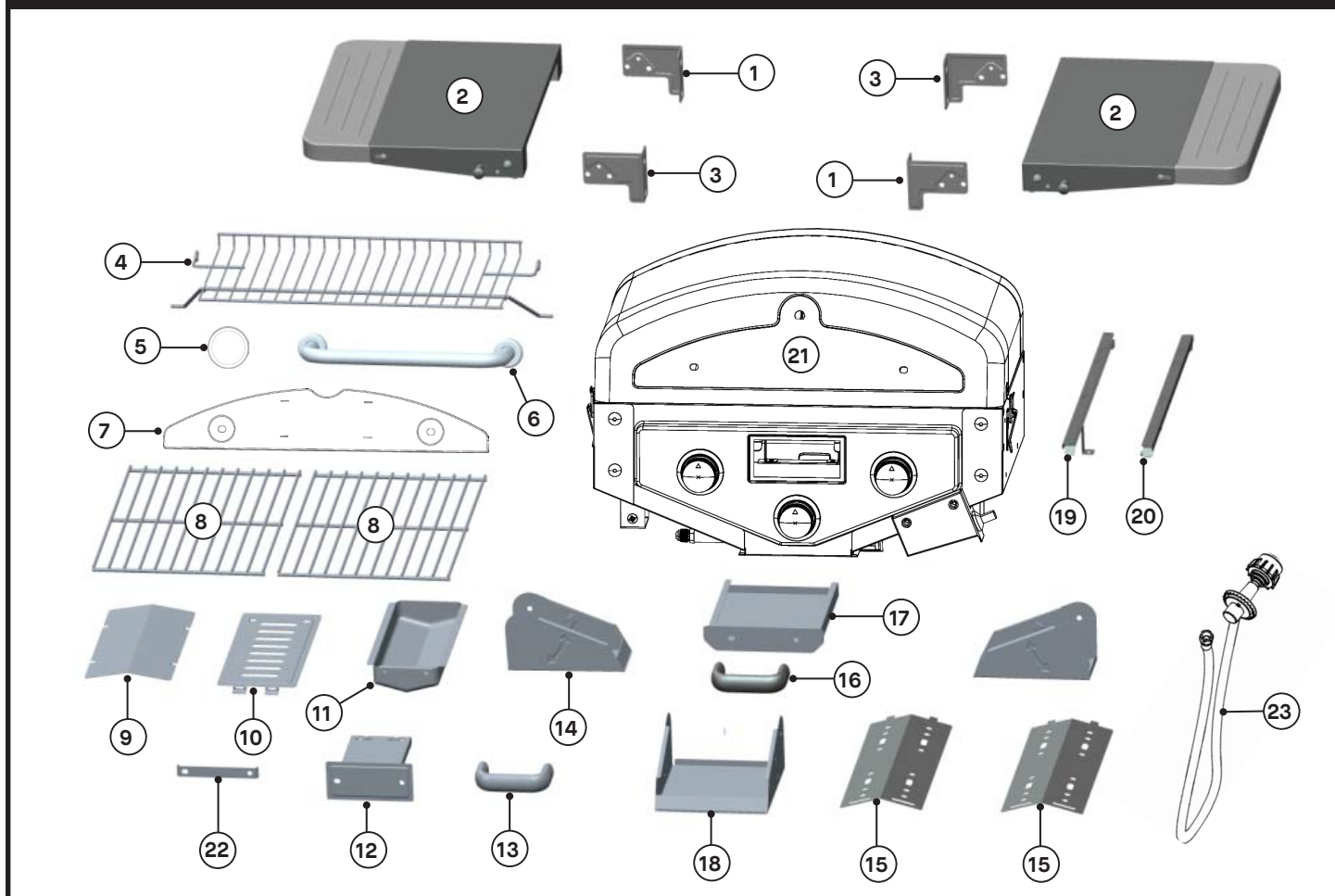
- Assembler l'appareil sur une surface plane et propre.
- Outils nécessaires : clé ajustable ou pinces, tournevis cruciforme
- Temps nécessaire pour l'assemblage : environ 20 minutes
- Le produit réel peut différer de l'illustration.
- Il est possible que certaines étapes d'assemblage aient été effectuées en usine.



Trousse de quincaillerie

Qté		Description
18	A	Boulons à tête bombée combo M6 × 12, nickelés noir
2	B	Boulons à épaulement M5 × 17, nickelés noir
4	C	Boulons à épaulement M5 × 12, nickelés noir
6	D	Boulons à tête bombée combo M5 × 10, nickelés noir
2	E	Écrous M5
2	F	Boulons à tête bombée combo M6 × 20, nickelés noir
6	G	Rondelles à ressort

Liste des pièces



N°	QTÉ	DESCRIPTION
1	2	Support de gauche de la tablette latérale
2	2	Tablette latérale
3	2	Support de droite de la tablette latérale
4	1	Grille-réchaud
5	1	Indicateur de chauffage
6	1	Poignée du couvercle
7	1	Plaque décorative du couvercle
8	2	Grille de cuisson
9	1	Plaque de recouvrement de la boîte à copeaux de bois
10	1	Couvercle de la boîte à copeaux de bois
11	1	Boîte à copeaux de bois
12	1	Assemblage du panneau avant de la boîte à copeaux de bois

N°	QTÉ	DESCRIPTION
13	1	Poignée de la boîte à copeaux de bois
14	2	Pied de support latéral
15	2	Plaque de recouvrement
16	1	Poignée du bac à graisse
17	1	Bac à graisse
18	1	Pied de support arrière
19	1	Rail de gauche de la boîte à copeaux de bois
20	1	Rail de droite de la boîte à copeaux de bois
21	1	Assemblage du couvercle du gril et du foyer
22	1	Verrou de la boîte à copeaux de bois
23	1	Tuyau/robinet/régulateur (préassemblé)



NE PAS RENVOYER AU DÉTAILLANT pour obtenir de l'aide pour l'assemblage ou des pièces manquantes ou endommagées. Contactez le service à la clientèle de MASTERBUILT au 1 800 489-1581 ou à support.masterbuilt.com.

Veuillez avoir le numéro de modèle et le numéro de série à portée de main. Ces numéros se trouvent sur l'étiquette argentée située sur le fumoir.

CONSERVEZ CES INSTRUCTIONS.

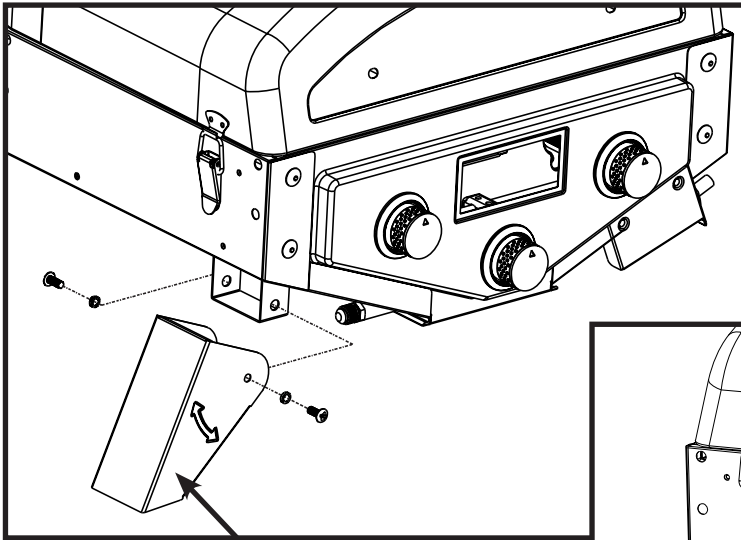
1

ÉTAPE 1 :

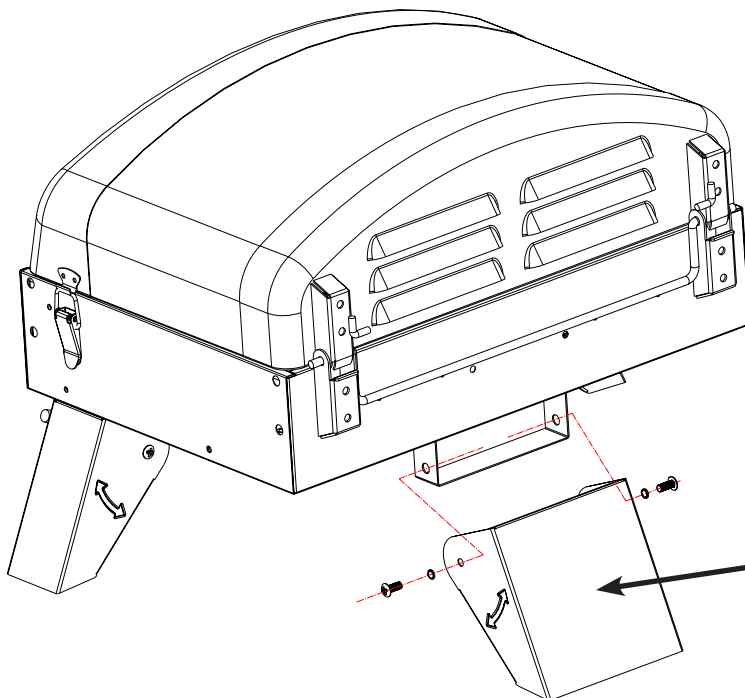
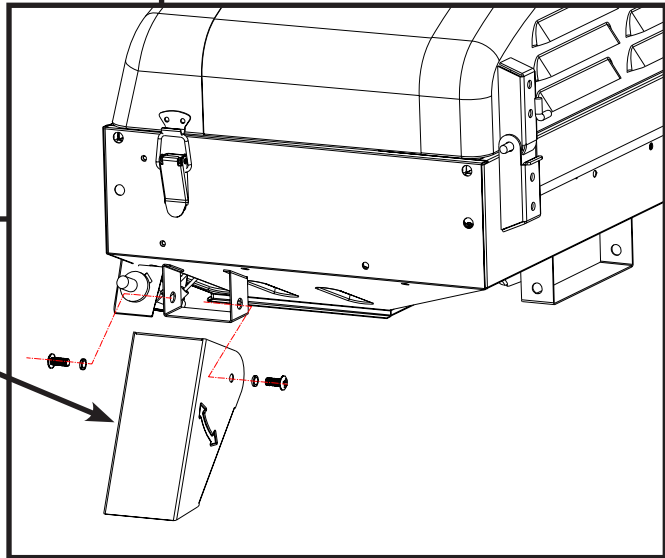
Assemblage des pieds

Quincaillerie requise :

- A** 6 boulons M6×12
- G** 6 rondelles à ressort

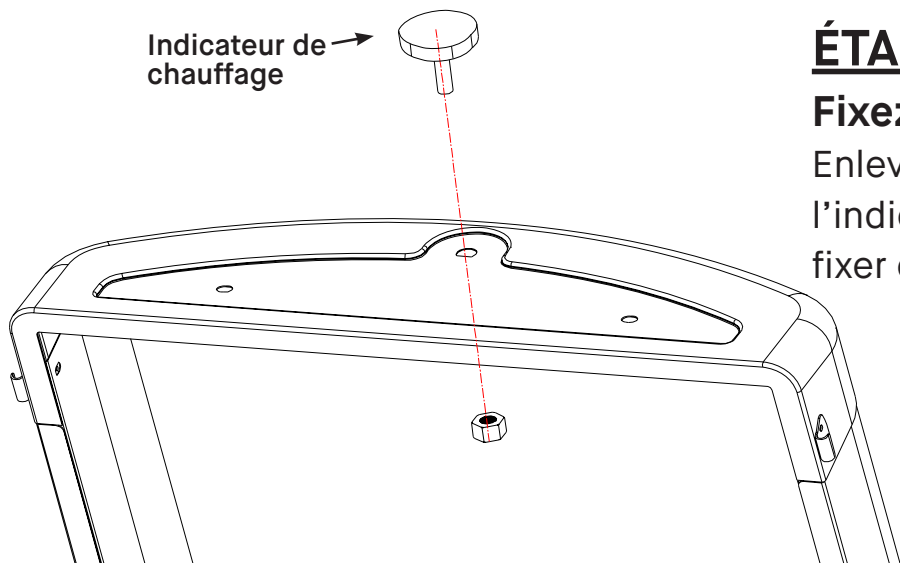


Pieds de support latéraux



Pied de support arrière

Indicateur de chauffage →



ÉTAPE 2 :

Fixez l'indicateur de chauffage

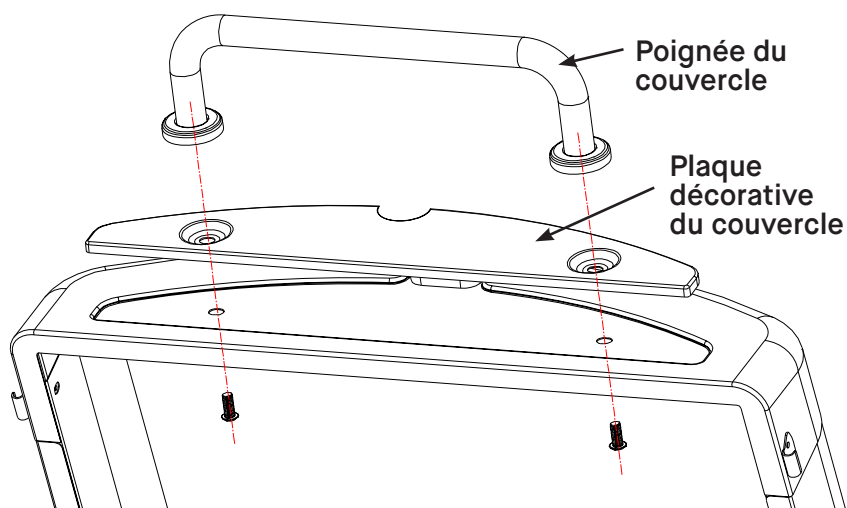
Enlevez d'abord l'écrou de l'indicateur de chauffage avant de fixer celui-ci au couvercle du grill.

ÉTAPE 3 :

Fixez la plaque décorative du couvercle et la poignée du couvercle

Quincaillerie requise :

F 2 boulons M6×20



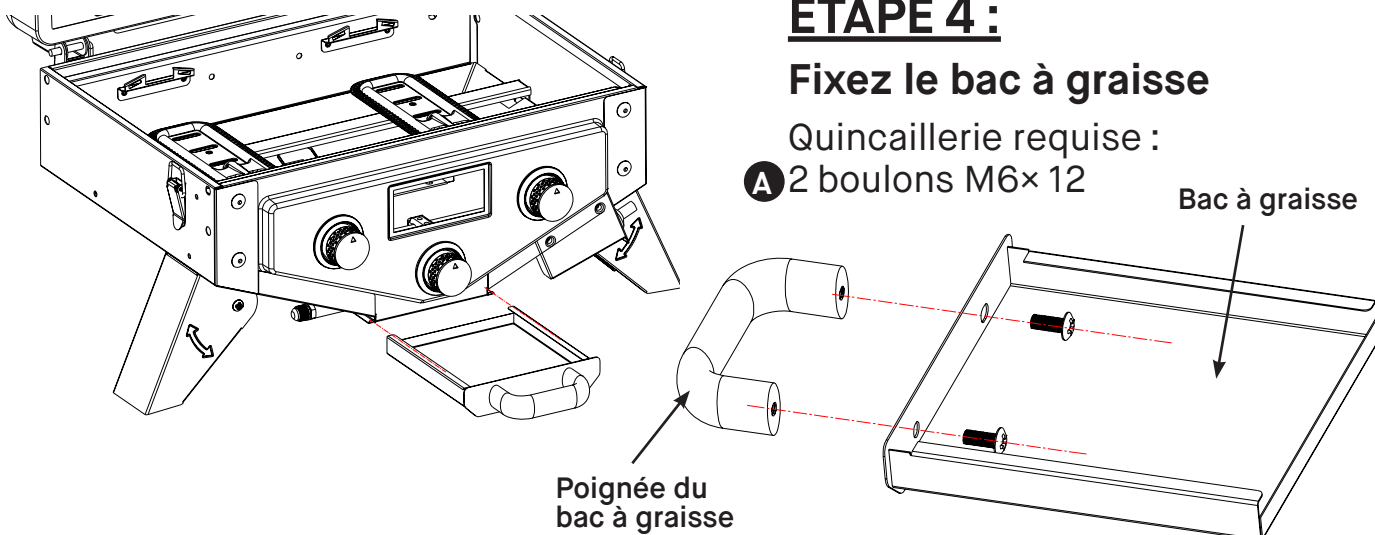
ÉTAPE 4 :

Fixez le bac à graisse

Quincaillerie requise :

A 2 boulons M6×12

Bac à graisse



ÉTAPE 5 :

Fixez les rails de la boîte à copeaux de bois

D Quincaillerie requise :
4 boulons M5×10

ÉTAPE 5A

Enfoncez le rail de gauche de la boîte à copeaux de bois dans l'orifice rectangulaire qui se trouve dans le panneau avant du foyer.

Rail de gauche de la boîte à copeaux de bois

ÉTAPE 5B

Fixez le support du rail de gauche de la boîte à copeaux de bois au côté gauche du panneau avant.

ÉTAPE 5C

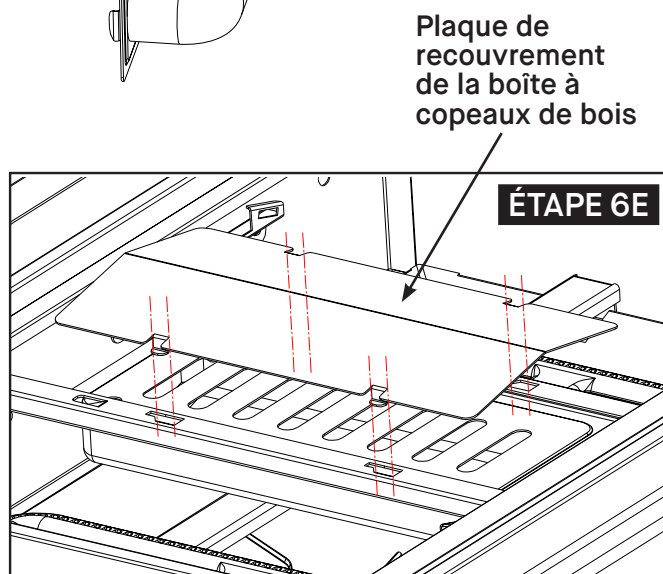
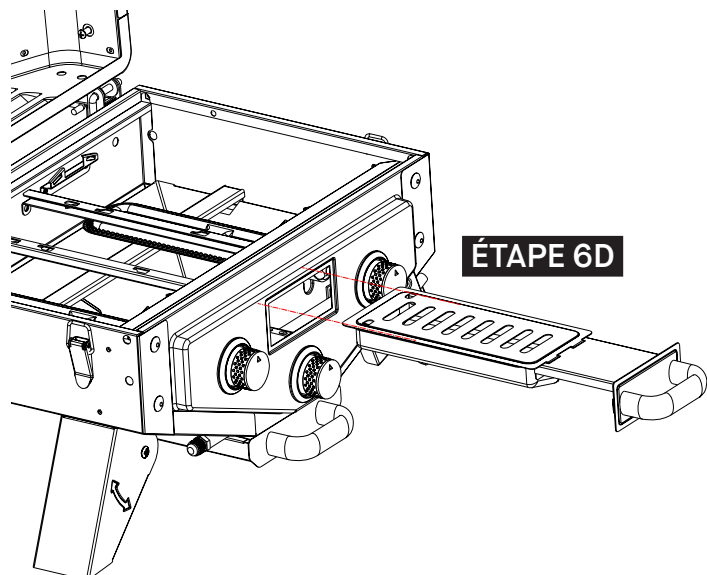
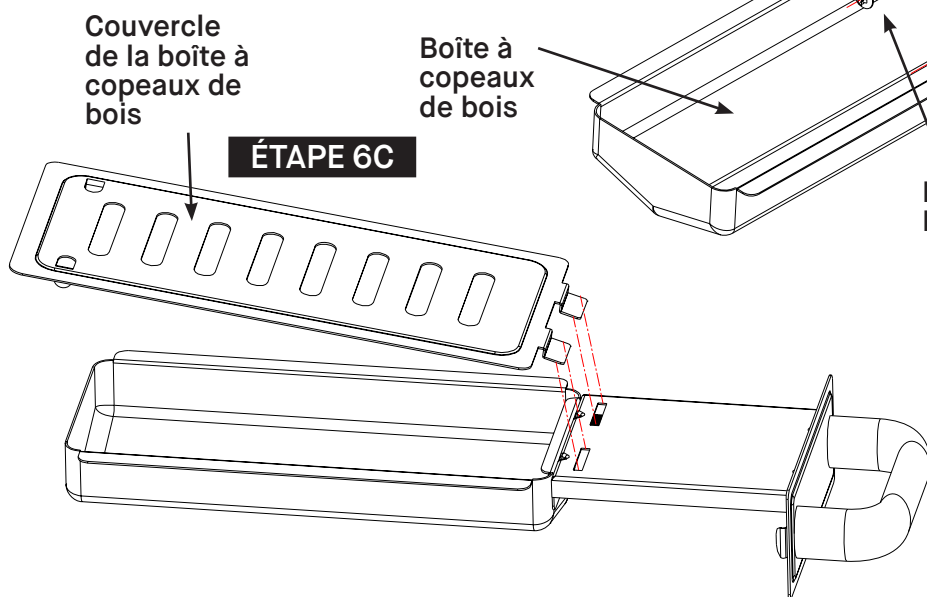
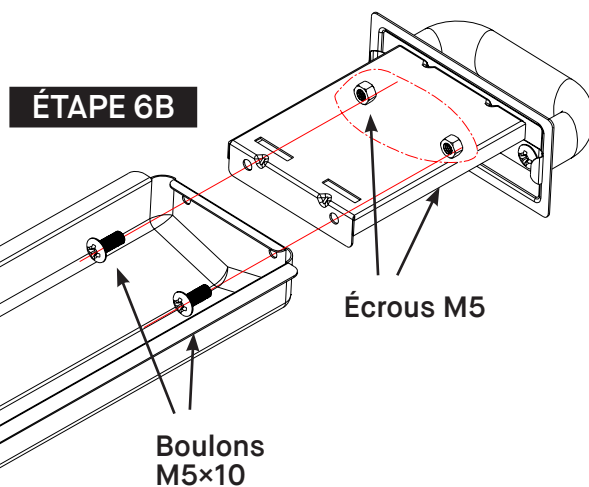
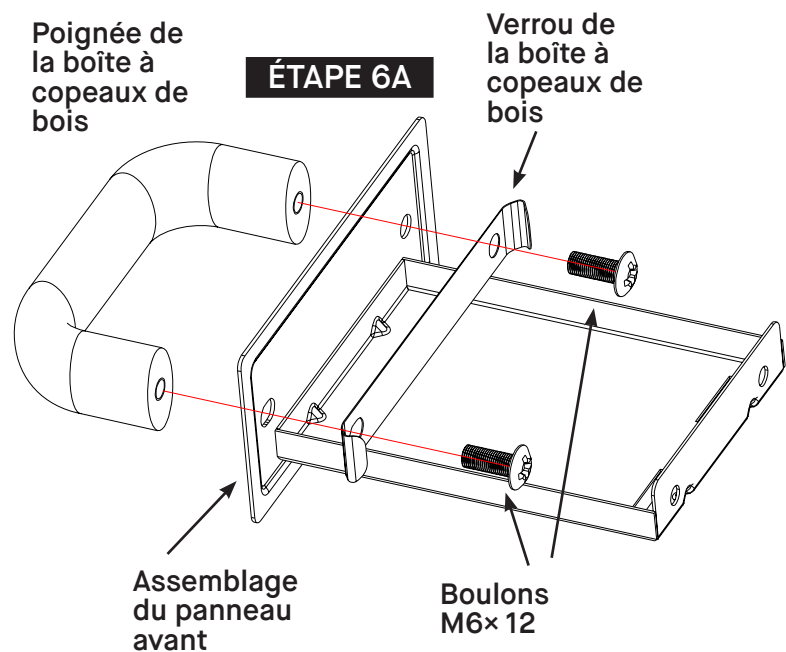
Fixez le support au côté gauche du panneau arrière.

Recommencez ce processus pour fixer le rail de droite de la boîte à copeaux de bois.

ÉTAPE 6 : Fixez l'assemblage de la boîte à copeaux de bois

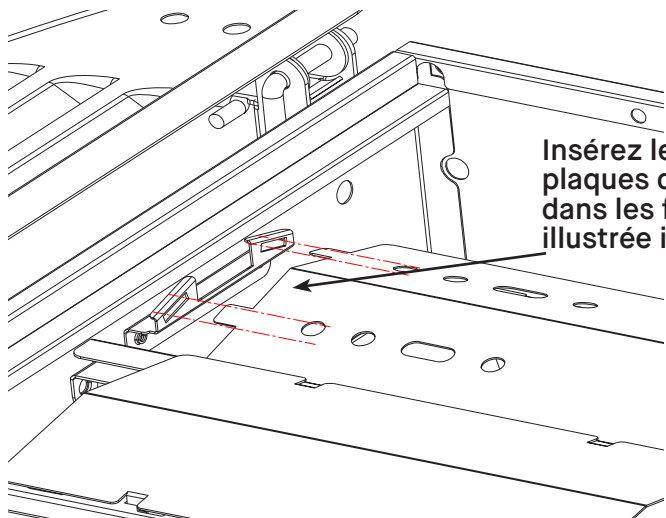
Quincaillerie requise :

- A** 2 boulons M6×12
- D** 2 boulons M5×10
- E** 2 écrous M5

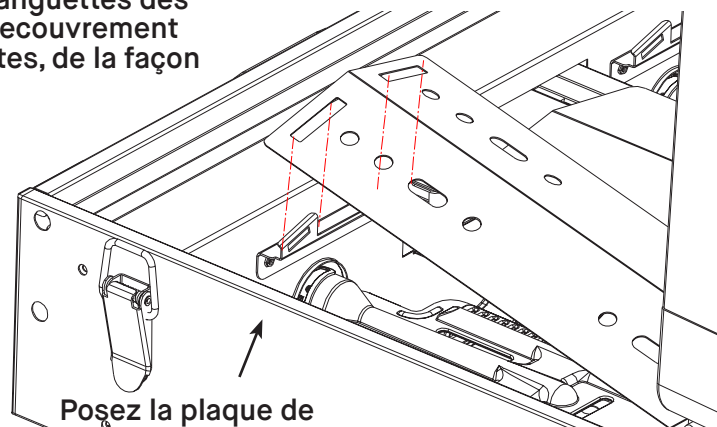


ÉTAPE 7 :

Fixez les plaques de recouvrement



Insérez les languettes des plaques de recouvrement dans les fentes, de la façon illustrée ici.



Poñez la plaque de recouvrement sur les languettes avant, de la façon illustrée ici.

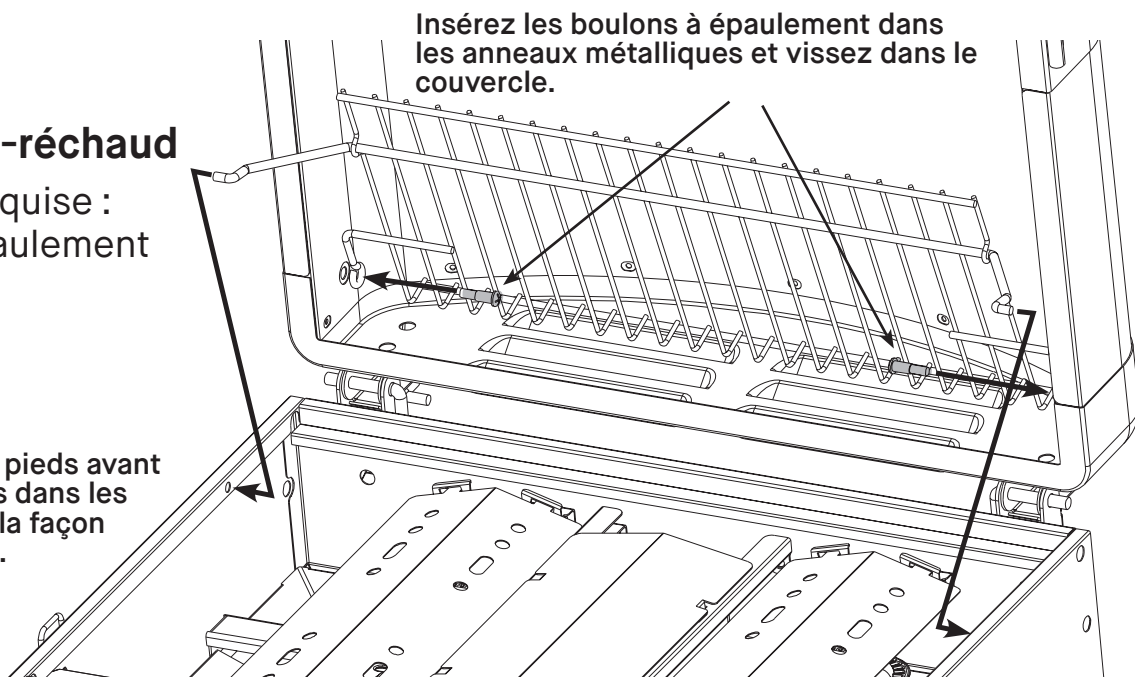
ÉTAPE 8 :

Fixez la grille-réchaud

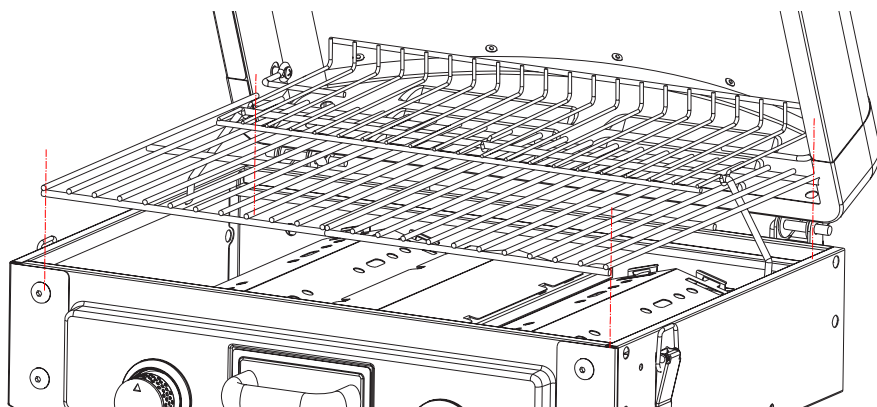
Quincaillerie requise :

- B** 2 boulons à épaulement M5×17

Insérez les pieds avant métalliques dans les orifices de la façon illustrée ici.



Insérez les boulons à épaulement dans les anneaux métalliques et vissez dans le couvercle.



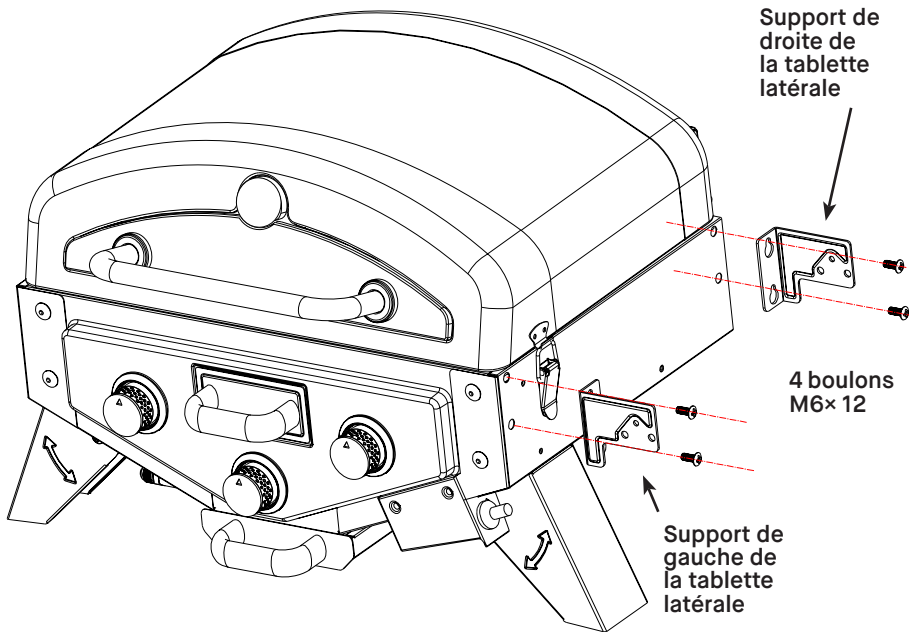
ÉTAPE 9 :

Insérez les grilles de cuisson

ÉTAPE 10 :

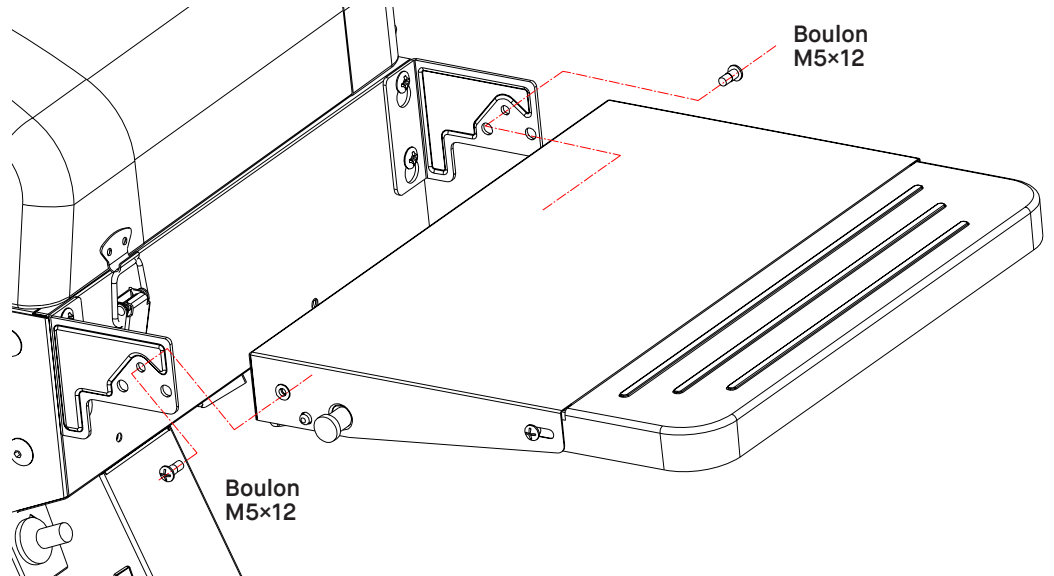
Fixez les supports de la tablette latérale

Quincaillerie requise :
A 8 boulons M6×12

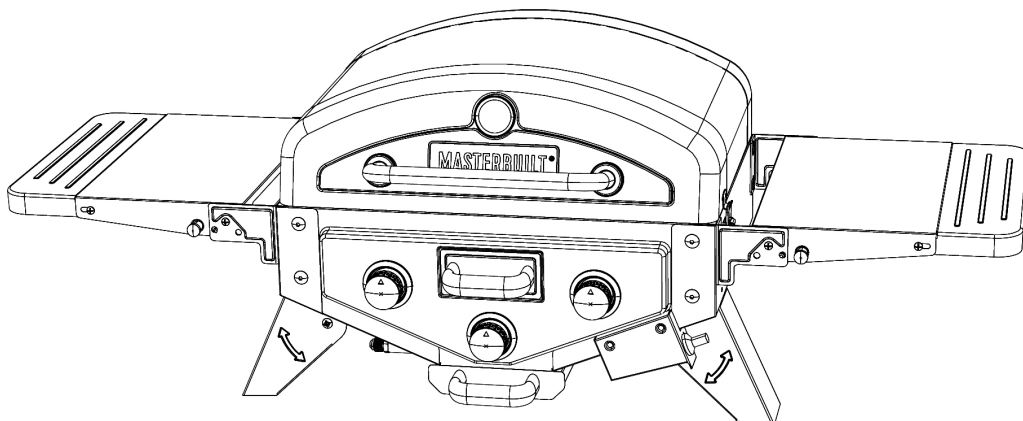


ÉTAPE 11 : Fixez la tablette latérale

Quincaillerie requise :
4 boulons M5×12
Recommencez les étapes 10 et 11 pour fixer l'autre tablette latérale.



L'ASSEMBLAGE DE VOTRE GRIL EST MAINTENANT TERMINÉ.



POUR VOTRE SÉCURITÉ, RESPECTEZ LA TOTALITÉ DES MESURES DE PRÉCAUTION ET DES INSTRUCTIONS.



AVERTISSEMENTS ET SPÉCIFICATIONS



- Ne connectez ce gril qu'à une bouteille ayant un robinet de Type 1. Le robinet de Type 1 peut être identifié par le gros filetage extérieur sur la sortie du robinet.
- NE PAS utiliser une bouteille de propane d'une capacité supérieure à 9,1 kg (20 lb).
- NE PAS se connecter à une bouteille qui utilise tout autre dispositif de connexion au robinet.
- Inspectez le joint d'étanchéité en caoutchouc du robinet de la bouteille de propane à la recherche de fissures, d'usure ou de dégradation avant l'usage. Un joint de caoutchouc endommagé peut entraîner une fuite de gaz, pouvant possiblement causer une explosion, un incendie ou des blessures graves.
- Fermez le robinet de la bouteille lorsque vous n'utilisez pas votre gril.
- Manipulez la bouteille avec soin.
- Fixez toujours la bouteille en position verticale.
- Ne jamais connecter une bouteille de propane non réglementée au gril.
- NE PAS exposer les bouteilles de propane à une chaleur excessive ou à des sources d'allumage.
- NE PAS conserver une bouteille de propane de rechange sous le gril ni à proximité de celui-ci.
- Ne jamais remplir une bouteille de propane à plus de 80 %.
- Si les instructions ci-dessus ne sont pas suivies à la lettre, un incendie pouvant entraîner la mort ou des blessures graves est possible.
- Lisez et suivez la totalité des avertissements et des instructions qui se trouvent sur la bouteille et qui accompagnent ce produit.

▲ DANGER ▲

- NE PAS ranger une bouteille de propane de rechange (pleine ou vide) sous l'appareil ni à proximité de celui-ci. La pression excédentaire pourrait être expulsée par la soupape de décharge de la vapeur, entraînant un feu, une explosion ou des blessures graves, voire la mort.
- Le propane est plus lourd que l'air et il s'accumule dans des dépressions. Une ventilation appropriée est extrêmement importante. Gardez les orifices de ventilation de l'enceinte de la bouteille de propane dégagés et libres de tout débris.
- NE PAS insérer d'objets étrangers dans l'ouverture du robinet de la bouteille, car cela pourrait endommager le joint d'étanchéité en caoutchouc. Ne pas utiliser une bouteille de propane dont le joint d'étanchéité en caoutchouc est endommagé. Un joint en caoutchouc endommagé peut entraîner une fuite de gaz, pouvant possiblement causer une explosion, un incendie ou des blessures graves, voire la mort. Inspectez le joint d'étanchéité en caoutchouc à la recherche de fissures, d'usure ou de dégradation avant l'usage.
- Gardez toujours la bouteille en position verticale pendant l'utilisation, le transport ou l'entreposage.



AVERTISSEMENTS ET SPÉCIFICATIONS



- NE PAS tenter de connecter le gril, acheté pour utilisation avec du propane, à une autre source de combustible, par exemple une conduite de gaz naturel.
- Ne pas utiliser d'assemblage de régulateur/tuyau autre que celui fourni avec votre gril. L'assemblage de régulateur/tuyau de rechange doit être le numéro de pièce KR101, que vous pouvez vous procurer en téléphonant au service à la clientèle au 1 800 489-1581 (du lundi au vendredi, de 8 h à 17 h, HE)
- Ne pas tenter d'ajuster ou de réparer un régulateur. Assurez-vous que le robinet de la bouteille est fermé avant de connecter la bouteille de propane à votre gril. Tournez le bouton du robinet dans le sens horaire pour bien fermer le robinet. Lisez et suivez la totalité des avertissements et des instructions fournis sur les étiquettes de sécurité du tuyau d'alimentation. Lisez et suivez tous les avertissements figurant dans ce manuel concernant l'utilisation sécuritaire de bouteilles de propane, du tuyau et du régulateur avant de connecter la bouteille au gril. Lisez tous les avertissements qui se trouvent sur la bouteille de propane.

SPÉCIFICATIONS DE LA BOUTEILLE DE PROPANE

Lorsque vous achetez ou échangez une bouteille pour votre gril au gaz, elle doit être :

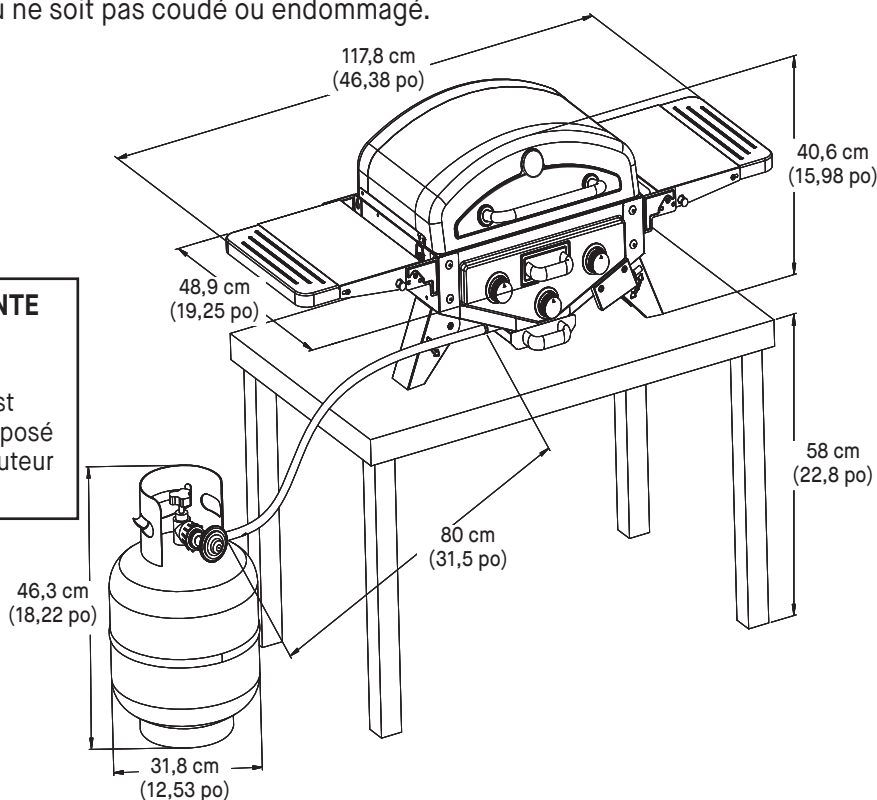
1. Fabriquée et marquée conformément aux spécifications relatives aux bouteilles de propane du département des Transports américain (DOT), et
2. Dotée d'un dispositif antidébordement (OPD) homologué, et
3. Dotée d'un dispositif de raccord compatible avec le raccord pour un appareil de cuisson à l'extérieur.

INSTALLATION DE LA BOUTEILLE DE PROPANE SUR LE GRIL :

1. Assurez-vous que la bouteille est posée solidement sur une surface plate et de niveau.
2. Vérifiez que le robinet de la bouteille est fermé en tournant le volant de manœuvre dans le sens horaire.
3. Orientez la bouteille afin que le tuyau ne soit pas coudé ou endommagé.

AVERTISSEMENT : LE TUYAU PRÉSENTE UN RISQUE DE CHUTE.

Il est recommandé que si la longueur minimale du chemin suivi par le tuyau est supérieure à 80 cm (31,5 po), le gril soit posé sur une table résistante au feu d'une hauteur de 58 cm (22,8 po).



La bouteille doit également dotée des éléments suivants :

- Un robinet d'arrêt qui se termine par une sortie pour robinet de la bouteille de gaz de Type 1.
- Un robinet de Type 1 qui empêche l'écoulement du gaz jusqu'à ce qu'une étanchéité parfaite soit obtenue.
- Un arrangement pour le retrait de vapeur.
- Un collier pour protéger le robinet d'arrêt de la bouteille.
- Un dispositif de décharge communiquant directement avec l'espace de vapeur de la bouteille.
- Un dispositif antidébordement (OPD) homologué.

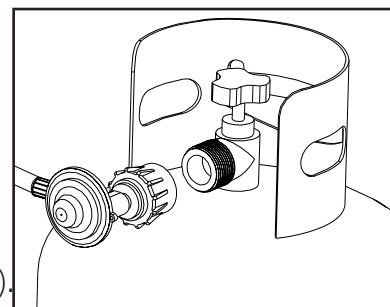
AVANT D'ENTREPOSER VOTRE GRIL :

- Assurez-vous que le robinet de la bouteille de gaz est complètement fermé.
- Nettoyez toutes les surfaces. Enduisez les brûleurs d'une mince couche d'huile de cuisson pour prévenir la rouille excessive.
- Si vous entreposez le gril à l'intérieur, déconnectez la bouteille de propane et laissez-la DEHORS.
- Mettez un capuchon cache-poussière sur le robinet de la bouteille lorsque celle-ci ne sert pas. N'installez sur l'ouverture du robinet que le type de capuchon cache-poussière fourni avec la bouteille. D'autres capuchons ou bouchons pourraient causer des fuites de propane.

Instructions d'utilisation

CONNEXION DE LA BOUTEILLE DE PROPANE SUR LE GRIL :

1. Inspectez le joint d'étanchéité en caoutchouc du robinet de la bouteille de propane à la recherche de fissures, d'usure ou de dégradation avant l'usage.
Un joint de caoutchouc endommagé peut entraîner une fuite de gaz, pouvant possiblement causer une explosion, un incendie ou des blessures graves. Ne pas utiliser une bouteille de propane dont le joint d'étanchéité en caoutchouc est endommagé.
2. Fixez ou détachez le régulateur à la bouteille de propane uniquement lorsque celle-ci est installée dans son support.
3. Vérifiez que le robinet de la bouteille est fermé en tournant le volant de manœuvre dans le sens horaire.
4. Assurez-vous que les boutons de réglage des brûleurs du grill sont sur la position OFF (ARRÊT).
5. Inspectez visuellement l'assemblage du tuyau avant chaque utilisation pour déceler tout signe de dommages, d'usure excessive ou de détérioration. S'il y en a, remplacez l'assemblage avant d'utiliser le grill. Seul le remplacement fourni par le fabricant devrait être utilisé.
6. Retirez le bouchon de protection en plastique du robinet de la bouteille.
7. Assurez-vous que le tuyau n'est pas coudé et n'est pas en contact avec des bords tranchants ou des surfaces qui peuvent devenir chaudes pendant l'utilisation.
8. Tenez le régulateur et insérez le mamelon en liaison dans le robinet de la bouteille de propane. Assurez-vous que le dispositif est centré correctement.
9. Tournez le gros écrou de raccord manuellement dans le sens horaire et serrez-le jusqu'à ce qu'il s'arrête complètement.
Assurez-vous de ne pas fausser le filetage de l'écrou de raccord sur le robinet de la bouteille. N'utilisez pas d'outils pour serrer le raccordement. Remarque : Si vous ne parvenez pas à effectuer le raccordement, recommencez les étapes 7 et 8.



TEST DE FUITE :

AVERTISSEMENT : N'UTILISEZ JAMAIS VOTRE GRIL SANS AVOIR FAIT DE TEST DE FUITE SUR LA TOTALITÉ DES RACCORDS DE GAZ ET DES TUYAUX ET SUR LA BOUTEILLE DE PROPANE.

DANGER : POUR PRÉVENIR LES RISQUES DE FEU OU D'EXPLOSION :

- Ne pas fumer ou permettre la présence de sources d'allumage dans les alentours pendant un test de fuite.
- Effectuez le test de fuite DEHORS, dans un endroit bien ventilé et à l'abri du vent.
- Ne jamais effectuer un test de fuite en utilisant une allumette ou une flamme nue.
- Ne jamais effectuer un test de fuite sur un grill qui est chaud ou en cours d'utilisation.

QUAND EFFECTUER UN TEST DE FUITE :

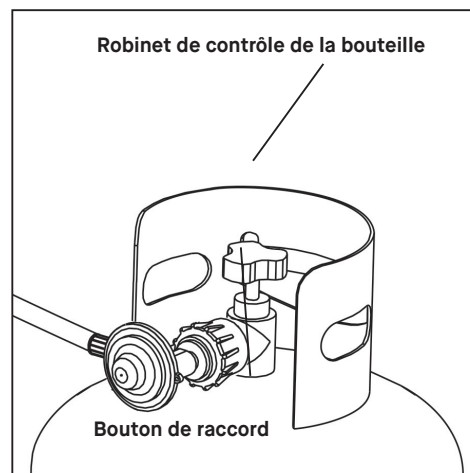
- Le test de fuite doit être effectué lors de chaque utilisation de l'appareil.

COMMENT VÉRIFIER S'IL Y A DES FUITES :

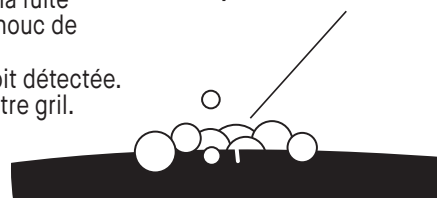
ATTENTION : Les odeurs fortes, la congestion des sinus, etc., peuvent empêcher que le propane soit détecté par l'odeur. Faites preuve de prudence et de bon sens lors de tests de fuite.

Remarque : Le test de fuite doit être effectué dans un endroit silencieux, à l'abri du vent et bien éclairé afin de voir si des bulles apparaissent ou pour permettre la détection de fuites plus importantes par l'odeur ou le son.

1. Créez un mélange d'eau et de savon à vaisselle liquide à parts égales.
2. Ouvrez les portes.
3. Assurez-vous que tous les boutons de réglage sont sur la position OFF (ARRÊT).
4. Ouvrez le robinet de la bouteille de propane. Tournez le robinet de la bouteille dans le sens antihoraire pour l'ouvrir complètement. Si vous entendez un bruit strident ou si vous sentez une odeur de gaz, coupez le gaz immédiatement. Serrez tout raccord qui fuit. Si une fuite est détectée au niveau du bouton de raccord et la fuite ne s'arrête pas lorsqu'il est serré, inspectez de nouveau le joint d'étanchéité en caoutchouc de la bouteille de propane.
5. Appliquez le mélange d'eau savonneuse au tuyau et aux raccordements.
6. Vérifiez s'il y a des bulles, ce qui indique la présence d'une fuite. Il est possible que les fuites importantes ne soient pas détectées par des bulles, mais elles devraient produire un bruit strident ou une odeur de gaz.
7. Fermez l'alimentation en gaz au robinet de la bouteille de propane.
8. Ouvrez les boutons de réglage pour évacuer la pression du gaz dans le tuyau.
9. Tournez les boutons de réglage sur la position OFF (ARRÊT).
10. Serrez tout raccord qui fuit. Si une fuite est détectée au niveau de l'écrou de raccord et la fuite ne s'arrête pas lorsqu'il est serré, inspectez de nouveau le joint d'étanchéité en caoutchouc de la bouteille de propane.
11. Recommencez le test d'étanchéité à l'eau savonneuse jusqu'à ce qu'aucune fuite ne soit détectée.
12. Fermez le robinet de la bouteille de propane jusqu'à ce que vous soyez prêt à utiliser votre grill.
13. Lavez les résidus savonneux avec de l'eau froide et séchez à la serviette.
14. Attendez 5 minutes pour que tout le gaz se soit dissipé avant d'allumer le grill.



Soyez à l'affût des bulles



AVERTISSEMENT : NE PAS utiliser le grill si les fuites sont impossibles à arrêter. Coupez le gaz et éteignez le grill. Prenez contact avec Masterbuilt. 1 800 489-1581

Instructions d'utilisation



AVERTISSEMENT : Lisez, comprenez et suivez l'ensemble des avertissements et des instructions figurant dans le présent manuel. NE PAS sauter les avertissements et les instructions figurant dans les sections précédentes du présent manuel.

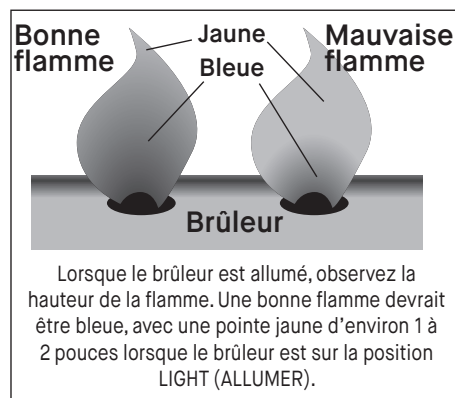


Suivez les instructions à la lettre.

1. Avant d'allumer un brûleur, OUVREZ LE COUVERCLE DU GRIL afin que les émanations ne s'accumulent pas dans le gril. Si le couvercle du gril est baissé, une explosion pourrait se produire.
2. Vérifiez que le bouton de réglage du régulateur est sur la position OFF (ARRÊT).
3. NE PAS mettre la tête, le corps ou les bras au-dessus du gril pendant que vous l'allumez.

ALLUMAGE DU GRIL :

1. Avant d'allumer le brûleur, ouvrez le couvercle.
2. Assurez-vous que le bouton de réglage du régulateur est sur la position OFF (ARRÊT).
3. Enfoncez le bouton du régulateur et tournez-le dans le sens antihoraire jusqu'à la position LIGHT (ALLUMER).
4. Appuyez sur le bouton d'allumage pour allumer le brûleur.
5. Si le gril ne s'allume PAS dans les 5 secondes, tournez le bouton de réglage du régulateur sur la position OFF (ARRÊT), attendez 5 minutes pour permettre au gaz de se dissiper, puis recommencez la procédure d'allumage.
6. Si le brûleur ne s'allume PAS avec le bouton d'allumage, vous pouvez l'allumer avec une allumette ou un briquet au butane en enlevant une des grilles de cuisson. Ensuite, mettez-le à côté d'une ouverture de la plaque de recouvrement. Ensuite, suivez la procédure d'allumage ci-dessus.



UTILISATION DU GRIL :

- Lisez et suivez la totalité des avertissements et des instructions figurant dans les sections précédentes du présent manuel.
- Ne jamais utiliser de charbon, de pierre volcanique ou de brique de bois dans un gril au gaz. Les copeaux aromatiques doivent être contenus dans une boîte à fumée métallique pour contenir la cendre et prévenir les feux.
- NE PAS couvrir les grilles de cuisson ou d'autres composants avec du papier d'aluminium, car cela bloque la ventilation et pourrait causer des dommages au gril ou des blessures.
- NE PAS laisser le gril sans surveillance pendant qu'il est en marche ou pendant l'utilisation.
- NE PAS déplacer le gril pendant l'utilisation.
- NE PAS utiliser d'eau sur un feu de graisse. Il n'est pas possible de fermer le couvercle pour éteindre un feu de graisse. Utilisez un extincteur à poudre de type BC, ou étouffez le feu avec de la terre, du sable ou du bicarbonate de soude.
- Ne cuisez pas d'aliments sur le gril si le plateau ramasse-gouttes ou le bac à graisse n'est pas en place.

APPRÊTAGE DU GRIL :

- Après la fabrication et la préservation des composants de votre gril, il est possible que des résidus d'huile soient présents sur les brûleurs et les surfaces de cuisson de votre gril.
- Avant de faire cuire des aliments sur votre gril pour la première fois, vous devriez le faire préchauffer à LIGHT (ALLUMER) pendant 15 minutes pour brûler ces huiles résiduelles.

PRÉCHAUFFAGE DU GRIL :

- Il est recommandé de faire préchauffer le gril avant chaque utilisation. Cela permet de s'assurer que les surfaces de cuisson sont à la bonne température pour saisir les aliments pendant la cuisson. Après avoir allumé votre gril, réglez les boutons de réglage du brûleur principal sur la position « LIGHT » (ALLUMER) et laissez chauffer pendant 5 à 10 minutes. Fermez le couvercle pendant le préchauffage.

Instructions d'utilisation

COMMENT CONTRÔLER LES POUSSÉES DE FLAMME ET LES FEUX DE GRAISSE :

- Les poussées de flamme font partie de la cuisson de la viande sur un gril au gaz. Cela ajoute à la saveur unique des aliments cuits sur un gril au gaz.
- Faites attention lorsque vous ouvrez le couvercle, car des poussées de flamme soudaines sont possibles. Des poussées de flamme excessives pourraient faire en sorte que vos aliments sont trop cuits et créer une situation dangereuse pour vous et votre gril.
- Des poussées de flamme excessives peuvent être le résultat de l'accumulation de graisse dans le gril. Dans un tel cas, ne versez PAS d'eau sur les flammes. Cela pourrait causer des éclaboussures de graisse qui pourraient provoquer des brûlures ou des blessures graves.
- Si un feu de graisse se déclenche pendant que le couvercle est ouvert, laissez le couvercle ouvert, tournez les boutons des brûleurs sur la position OFF (ARRÊT), et fermez le robinet de la bouteille de propane. Si possible, transférez les aliments sur une autre section de la grille de cuisson et laissez la graisse brûler, ou étouffez les flammes avec du bicarbonate de soude.
- Si un feu de graisse se déclenche pendant que le couvercle est fermé, laissez le couvercle fermé, car un courant d'air soudain pourrait faire augmenter les flammes. Tournez les boutons de réglage du régulateur sur la position OFF (ARRÊT) pour laisser la graisse brûler.

POUR MINIMISER LES POUSSÉES DE FLAMME :

- Enlevez l'excédent de gras de la viande avant la cuisson.
- Faites cuire les viandes très grasses (poulet ou porc) à des températures peu élevées ou indirectement.
- Assurez-vous que votre gril est sur une surface de niveau et que la graisse peut sortir du gril par l'entremise du trou de drainage dans le fond afin d'être recueillie dans le plateau ramasse-gouttes ou le bac à graisse.
- Nettoyez votre gril et la plaque de recouvrement, et enlevez fréquemment les résidus de nourriture pour minimiser l'accumulation de graisse.

POUR ÉTEINDRE LE GRIL :

- Fermez le bouton de réglage du régulateur. REMARQUE : Débranchez la bouteille de propane du régulateur lorsque vous n'utilisez pas votre gril.

AJOUT DE BOIS (facultatif) :

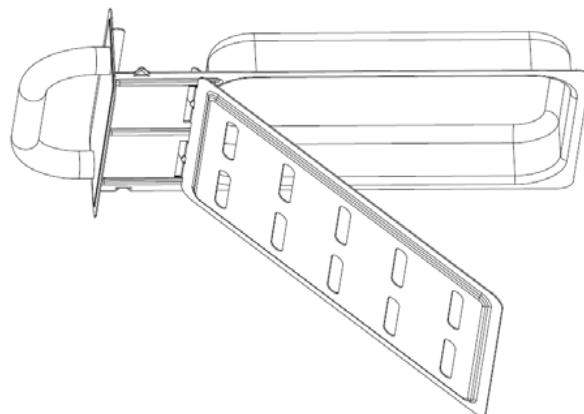
Pour ajouter du bois avant la cuisson, il suffit de remplir la boîte à copeaux de bois avec vos copeaux de bois dur aromatiques préférés. C'est à vous de décider de la quantité et du type de bois que vous voulez utiliser. Une boîte pleine est généralement suffisante pour 30 minutes de fumage. Lorsque la boîte est pleine de bois, glissez-la dans le gril.

Remarque : Nous recommandons de tremper les copeaux de bois dans un bol d'eau pendant au moins 20 minutes pour qu'ils produisent davantage de fumée et qu'ils brûlent moins vite.

ATTENTION : La boîte à copeaux de bois devient très chaude. Portez toujours des gants de protection lorsque vous manipulez les composants chauds. Pour ajouter des copeaux de bois pendant le fumage, tirez sur la boîte à copeaux de bois pour la sortir du gril. Videz la cendre de copeaux de bois dans un récipient en métal, préférablement contenant de l'eau, pour éteindre la cendre. (Remarque : Le couvercle de la boîte à copeaux de bois reste sur la boîte à copeaux de bois pendant que vous videz la cendre.) Remplissez la boîte à copeaux de bois avec des copeaux de bois, fermez le couvercle et glissez de nouveau la boîte à copeaux de bois dans le gril.

Remarque : Nous recommandons d'éteindre le brûleur du fumoir pendant l'utilisation des brûleurs principaux pour réduire le risque que les copeaux de bois s'enflamment.

ATTENTION : La boîte à copeaux de bois devient très chaude.
Portez toujours des gants de protection lorsque vous manipulez les composants chauds.



UTILISATION DE BOIS AROMATIQUE (facultatif) :

- Il est préférable d'utiliser de petits copeaux de bois dans la boîte à copeaux de bois.
- Utilisez des bois durs secs comme le caryer, le pacanier, le pommier, le cerisier ou le prosopis.
- La plupart des bois d'arbres qui produisent des fruits ou des noix génèrent une excellente saveur de fumée.
- N'utilisez pas de bois résineux comme le pin ou le contreplaqué. Ils produisent généralement une saveur désagréable.
- Faites des essais avec différents types et différentes quantités de copeaux de bois. Différents bois peuvent également être mélangés.
- Pour produire davantage de fumée et éviter la combustion rapide, faites tremper les copeaux de bois dans un bol d'eau distinct pendant au moins 20 minutes, ou enveloppez les copeaux dans du papier d'aluminium perforé.
- La plus grande partie de la saveur de fumée s'imprègne dans les aliments pendant la première heure de la cuisson. Il n'est généralement pas nécessaire d'ajouter des copeaux de bois après la première heure, sauf si une saveur de fumée supplémentaire est souhaitée.

Soins et entretien

Nettoyage de l'intérieur du gril :

- Nous recommandons d'enlever les résidus alimentaires immédiatement après la cuisson en récurant doucement les grilles avec une brosse à soies métalliques, puis en tournant les brûleurs sur la position LIGHT (ALLUMER) pendant environ 5 minutes.
- La chaleur du brûleur brûlera la majeure partie des résidus d'aliments et de graisse présents sur les grilles et les plaques de recouvrement et les transformera en substance cendrée qui tombera dans le fond du foyer ou du bac à graisse. Lorsque le gril a refroidi (environ 30 minutes), enlevez les grilles et les plaques de recouvrement et enlevez la cendre et la graisse du foyer au moyen d'une brosse. Nettoyez le récipient à graisse et remettez-le en place. Inspectez les plaques de recouvrement pour tout signe de dommages ou de détérioration avant de les remettre dans le gril. (Vous pouvez commander des remplacements en téléphonant au numéro sans frais 866 475-5180.)
- De temps à autre, si vous le souhaitez, lavez les grilles de cuisson et les plaques de recouvrement avec un détergent doux et rincez-les à l'eau chaude.
- De la fumée s'accumulera à l'intérieur du couvercle du gril et des éclats pourraient tomber sur vos aliments. Nettoyez l'intérieur du couvercle du gril au moyen d'une brosse à récurer et d'une solution d'eau et de bicarbonate de soude. Séchez bien. Ne vous méprenez pas : il ne s'agit pas de peinture. L'intérieur des couvercles des grils au gaz n'est pas peint.



ATTENTION : NE PAS permettre aux résidus de centre de rester sur le bac à graisse ou le foyer, car ils pourraient bloquer le bon drainage de la graisse hors du gril.



ENTRETIEN DE L'EXTÉRIEUR DU GRIL :

- Pour protéger votre gril contre la rouille excessive, il doit être gardé propre et recouvert en tout temps lorsqu'il n'est pas utilisé.
- Surfaces peintes : laver avec un détergent doux ou un nettoyeur non abrasif et de l'eau chaude savonneuse.
- Surfaces de porcelaine : en raison de leur composition semblable à verre, la plupart des résidus peuvent être essuyés avec une solution de bicarbonate de soda et d'eau. Pour les taches tenaces, utilisez une poudre à récurer non abrasive, comme du bicarbonate de soude.

NETTOYAGE ET ENTRETIEN DES BRÛLEURS

- Gardez l'appareil à distance et libre de tout matériau combustible tel que de l'essence ou tout autre liquide ou gaz inflammable.
- Veillez à garder les orifices de ventilation de l'enceinte de la bouteille dégagés et libres de tout débris.
- Vérifiez visuellement les flammes des brûleurs pour vous assurer que tout fonctionne correctement (voir l'illustration à la page 15, Allumage du gril). Des araignées ou d'autres insectes peuvent faire des nids dans le brûleur, ce qui bloque la circulation du gaz.
- Pour obtenir une cuisson au gril sécuritaire et assurer le rendement optimal de votre gril, faites ces vérifications avant chaque utilisation.
- Assurez-vous de serrer toute la quincaillerie (écrous, boulons, vis, etc.) au moins deux fois par an.



ATTENTION : Certaines pièces pourraient avoir des bords tranchants. Au besoin, portez des gants de protection.



- Enlevez les grilles de cuisson, les plaques de diffusion de la chaleur et les brûleurs de l'intérieur de votre gril. Pour enlever les résidus excessifs, utilisez une brosse avec de l'eau chaude et du détergent. N'utilisez JAMAIS de produit à nettoyer les fours disponible dans le commerce. Rincez complètement avec de l'eau. Séchez à la serviette et remettez tous les composants en place, de la façon décrite dans les instructions d'assemblage.

ASSEMBLAGE ET ENTRETIEN DES BRÛLEURS :

- Bien que vos brûleurs soient fabriqués en acier inoxydable, la corrosion est possible en raison de la chaleur extrême et des acides générés lors de la cuisson des aliments. Inspectez régulièrement les brûleurs pour déceler les fissures, les trous anormaux et les autres signes de dommages causés par la corrosion. Si vous en trouvez, remplacez le brûleur.
- NE PAS bloquer les zones de ventilation dans les côtés et l'arrière du gril. Le tube du brûleur peut devenir bloqué par des araignées et d'autres insectes qui y bâtissent leur nid. L'obstruction des tubes des brûleurs peut empêcher le gaz d'arriver aux brûleurs et provoquer un feu dans les tubes des brûleurs ou sous le gril.
- Suivez ces instructions pour nettoyer ou remplacer des pièces de l'assemblage des brûleurs si vous éprouvez des difficultés à allumer le gril.
 1. Fermez le gaz au niveau du bouton de réglage du régulateur.
 2. Enlevez les grilles de cuisson et la plaque de recouvrement.
 3. Enlevez la vis qui fixe les brûleurs à l'arrière du gril.
 4. Inclinez prudemment l'arrière du brûleur vers le haut et glissez-le en reculant afin de le retirer de l'orifice du robinet, puis soulevez-le pour le sortir du gril.
 5. Essuyez le devant de l'orifice pour le nettoyer.
 6. Nettoyez toute la surface extérieure de chaque brûleur au moyen d'une brosse métallique pour enlever les résidus de nourriture et la saleté.
 7. Vérifiez si le brûleur est endommagé : si des fissures ou des trous sont observés, remplacez le brûleur.
 8. Remettez le brûleur dans le gril. IMPORTANT : Le brûleur doit glisser par-dessus la buse du régulateur.
 9. Recommencez les étapes.
 10. Remettez en place la plaque de recouvrement et les grilles de cuisson

Soins et entretien

TRANSPORT ET ENTREPOSAGE :

AVERTISSEMENT :

- Ne jamais déplacer un gril lorsqu'il est chaud ou pendant l'utilisation.
- Assurez-vous que le bouton de réglage du régulateur est sur la position OFF (ARRÊT).
- NE PAS ranger une bouteille de propane de recharge (pleine ou vide) près du gril.
- Ne jamais entreposer de liquides inflammables ou de bonbonnes d'aérosol près du gril.
- Il est permis de ranger un appareil de cuisson au gaz pour l'extérieur à l'intérieur uniquement si la bouteille a été déconnectée et enlevée.
- Les bouteilles ne doivent pas être entreposées dans un bâtiment ou un espace fermé, y compris dans des garages ou des remises.
- Les bouteilles doivent être gardées hors de la portée des enfants.

AVANT D'ENTREPOSER VOTRE GRIL :

- Assurez-vous que le robinet du régulateur est complètement fermé.
- Nettoyez toutes les surfaces. Enduisez les brûleurs d'une mince couche d'huile de cuisson pour prévenir la rouille excessive.
- Si vous entreposez le gril à l'intérieur, déconnectez la bouteille de propane et laissez-la DEHORS.
- Mettez un capuchon de protection sur la bouteille de propane et rangez la bouteille à l'extérieur, dans un endroit bien ventilé, à l'abri de la lumière directe du soleil.
- Vérifiez et nettoyez le brûleur avant l'utilisation après l'avoir entreposé, au début de la saison de cuisson ou après une période pendant laquelle il n'a pas été utilisé. Les araignées et les insectes aiment se faire des nids dans les tubes des brûleurs (particulièrement pendant les mois plus froids). L'obstruction des tubes des brûleurs peut empêcher le gaz d'arriver aux brûleurs et provoquer un feu dans les tubes des brûleurs ou sous le gril. Voir « Nettoyage et entretien des brûleurs » (p. 37).
- Si vous entreposez le gril à l'extérieur, recouvrez-le avec une housse pour le protéger contre les intempéries.

Dépannage

Problème	Cause possible	Prévention / Solution
Le brûleur ne s'allume pas	Le bouton du régulateur de la bouteille de propane est sur la position OFF (ARRÊT)	Assurez-vous que le régulateur est bien fixé à la bouteille de propane, tournez le régulateur de la bouteille de propane sur la position ouverte
	La bouteille de propane est presque vide ou complètement vide	Vérifiez si la bouteille de propane est vide. Si elle est vide, remplacez-la.
	Fuite de gaz de la bouteille de propane	1. Tournez le régulateur de la bouteille de propane sur la position OFF (Arrêt). 2. Attendez 5 minutes que les émanations de gaz se dissipent 3. Suivez les instructions de la section « Test de fuite » à la page 15.
	Serrez le raccord du régulateur	Voir page 14.
	Obstruction du débit de gaz	Nettoyez le tube venturi du brûleur
	Le brûleur n'est peut-être pas installé correctement	Réinstallez le brûleur et la soupape Consultez les instructions à la page 18.
	Toiles d'araignées ou nids d'insectes dans le tube venturi	Nettoyez l'assemblage du tube venturi et du brûleur
	Ports du brûleur obstrués ou bloqués	Nettoyez les ports du brûleur
	Fil ou électrode recouvert de résidus de cuisson	Nettoyez le fil ou l'électrode avec de l'alcool à friction
	L'électrode et les brûleurs sont mouillés	Sécher en essuyant au moyen d'un chiffon
	Électrode fissurée/cassée; produit des étincelles	Remplacez l'électrode.
	Le fil est lâche ou déconnecté	Reconnectez le fil ou remplacez l'assemblage de l'électrode et du fil
	Les fils produisent un court-circuit (étincelles) entre l'allumeur et l'électrode	Remplacez l'assemblage du fil de l'allumeur et de l'électrode
Allumeur défectueux	Remplacez l'allumeur	
Faible chaleur émise par le gril	Il n'y a plus de gaz	Remplacez la bouteille de propane
Longueur irrégulière/ Aspect irrégulier de la flamme	Les ports du brûleur sont obstrués/bloqués. Le registre d'air sur le brûleur est mal ajusté	Nettoyez les ports du brûleur. Voir page 18.
La flamme est jaune ou orange	Il y a peut-être des résidus d'huile de fabrication sur le nouveau brûleur	Faites fonctionner le gril sur la position LIGHT (ALLUMER) avec le couvercle fermé
	Toiles d'araignées ou nids d'insectes dans le tube venturi	Nettoyez l'assemblage du tube venturi et du brûleur
	Résidus d'aliments, graisse, etc.	Nettoyez l'assemblage du brûleur
	Mauvais alignement entre la soupape et le tube venturi du brûleur Le registre d'air sur le brûleur est mal ajusté	Assurez-vous que le tube venturi du brûleur est bien inséré dans la tige du régulateur. Desserrez la vis du tube venturi du brûleur. Le registre d'air doit être entre 1/8 po et 1/4 po pour obtenir le bon mélange d'air et de gaz.

Garantie limitée d'un an de Masterbuilt.

Masterbuilt garantit que ses produits sont exempts de défauts de matériel et de fabrication pendant un an à partir de la date d'achat d'origine s'ils sont assemblés de la manière appropriée, utilisés normalement et entretenus de la façon recommandée. La garantie de Masterbuilt ne couvre pas la finition de peinture, car elle peut brûler au cours d'un usage normal. La garantie de Masterbuilt ne couvre pas la rouille. Masterbuilt exige une preuve d'achat lors de réclamations au titre de la garantie, par exemple un reçu. À l'expiration de la garantie, toute responsabilité et obligation en découlant cessera.

Durant la période de garantie déclarée, Masterbuilt, à sa discrétion, remplacera gratuitement tout composant défectueux, le propriétaire étant responsable des frais de transport. Advenant que Masterbuilt demande que le ou les composants lui soient retournés pour inspection, Masterbuilt assumera les frais de transport pour le retour du composant demandé. Cette garantie exclut les dommages matériels dus au mauvais usage, à l'usage abusif ou à un accident, ainsi que les dommages découlant du transport.

Cette garantie expresse tient lieu de garantie unique offerte par Masterbuilt et remplace toute autre garantie expresse ou implicite, y compris toute garantie implicite d'aptitude à la commercialisation ou d'adaptation à un usage particulier. Ni Masterbuilt ni le détaillant qui vend ce produit ne sont autorisés à fournir des garanties ou à promettre quoi que ce soit qui dépasse ou qui contredit ce qui est énoncé ci-dessus. La responsabilité maximale de Masterbuilt, dans tous les cas, ne peut dépasser le prix d'achat de l'article payé par le consommateur ou l'acheteur d'origine. Certains États et certaines provinces ne permettent pas l'exclusion ni la limitation de dommages directs ou indirects. Par conséquent, les exclusions ou limitations indiquées ci-dessus peuvent ne pas vous être applicables.

Résidents de la Californie seulement : Nonobstant les limitations de cette garantie, les restrictions suivantes vous sont applicables; si réparer ou remplacer le produit en question ne s'avère pas rentable pour le revendeur, ce dernier ou Masterbuilt remboursera le prix payé d'achat du produit après dépréciation et après déduction d'une somme équivalente à la durée d'utilisation par l'acheteur initial avant la découverte du vice ou de la non-conformité. Le propriétaire peut rapporter le produit au détaillant qui le lui a vendu pour bénéficier des services offerts par la garantie. Cette garantie expresse vous confère des droits légaux spécifiques et vous pouvez également avoir d'autres droits qui varient d'un État à l'autre.

**Rendez-vous à masterbuilt.com ou remplissez le formulaire ci-dessous et renvoyez-le à
Attn: Warranty Registration
Masterbuilt Manufacturing, LLC
1 Masterbuilt Court | Columbus, GA 31907**

Nom : _____ Adresse : _____

Ville : _____

État/Province : _____ Code postal : _____ Numéro de téléphone : _____

Adresse de courriel : _____

*Numéro de modèle : _____ *Numéro de série : _____

Date de l'achat : ____ - ____ - ____ Lieu de l'achat : _____

***Le numéro de modèle et le numéro de série se trouvent sur l'étiquette argentée au dos de l'appareil.**



MASTERBUILT®

Soyez assurés que nous sommes ici pour aider.

Customer Service
Service à la clientèle
Servicio de atención al cliente

masterbuilt.com/contact

Masterbuilt Manufacturing, LLC
1 Masterbuilt Court | Columbus, GA | 31907

@masterbuilt



1 800 489-1581

masterbuilt.com



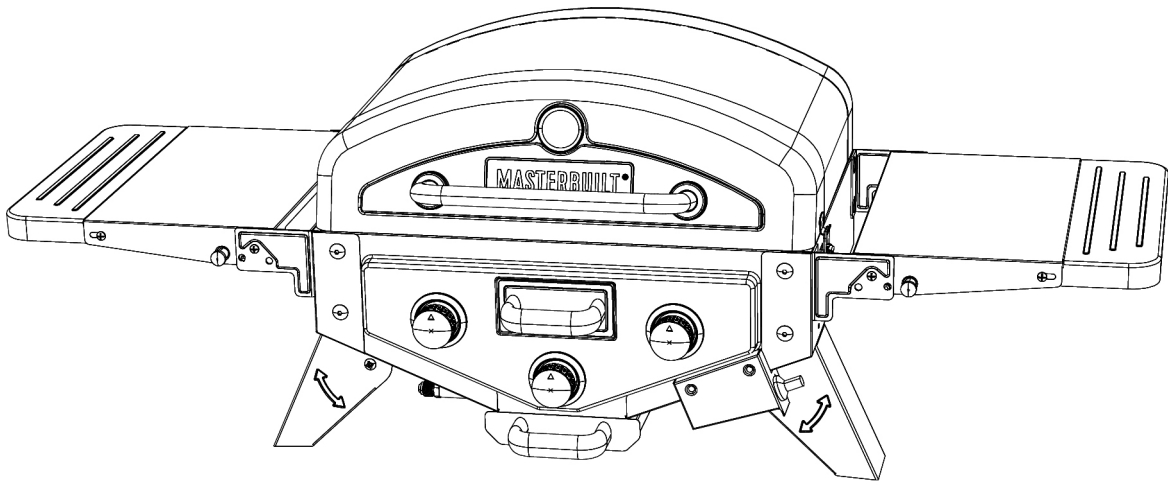


MASTERBUILT®

Bienvenido a la familia. ¡Comencemos!

MPG 300S

PARRILLA DE PROPANO PARA MESA



Manual applies to the following model number(s)
Le manuel s'applique aux numéros de modèle suivants
El manual se aplica a los siguientes números de modelo

MB20030519 • MB20030619

Your model number | Votre numéro de modèle
Su número de modelo

Mfg. Date - Serial Number | Date de fabrication - Numéro de série
Fecha Fabricado - Número de serie

*These numbers are located on the rating label of the unit. | Le numéro de série se trouve sur la plaque signalétique de l'unité.
El número de serie se encuentra en la etiqueta de la unidad.*

IMPORTANT | IMPORTANTE

Conserve esta información inmediatamente y manténgala en un lugar seguro para uso futuro.
S'il vous plaît noter cette information immédiatement et conserver dans un endroit sûr pour une utilisation future.
Por favor, registrar esta información inmediatamente y guardar en un lugar seguro para su uso futuro.



Intertek

Domínelo. Masterbuilt.

**AVERTISSEMENT**

- Este manual contiene información importante necesaria para el correcto ensamblaje y uso seguro del aparato.
- Lea y siga todas las advertencias e instrucciones antes de ensamblar y usar el aparato.
- Siga todas las advertencias e instrucciones cuando use la unidad.
- Mantenga la manguera de suministro de combustible lejos de cualquier superficie calentada.
- Conserve este manual para referencia en el futuro.

**PELIGRO****SI HUELE GAS:**

1. Apague el gas que se dirige al artefacto.
2. Apague cualquier llama abierta.
3. Abra la tapa.
4. Si el olor continúa, aléjese del aparato y llame al proveedor de gas o a la estación de bomberos.

SI NO SIGUE ESTAS INSTRUCCIONES CORRECTAMENTE, PODRÍA PRODUCIRSE UN INCENDIO O EXPLOSIÓN, QUE PODRÍAN CAUSAR DAÑOS A LA PROPIEDAD, LESIONES PERSONALES O LA MUERTE.

**PELIGRO**

1. Nunca opere este artefacto desatendido.
2. Nunca opere este artefacto dentro de 10 pies (3 m) de cualquier estructura, material combustible u otro cilindro de gas.
3. Nunca opere este artefacto dentro de 25 pies (7.5 m) de cualquier líquido inflamable.
4. Los líquidos calentados pueden permanecer a temperaturas hirvientes largo tiempo después del proceso de cocción. Nunca toque el artefacto de cocción hasta que los líquidos se hayan enfriado a 115°F (45°C) o menos.
5. Si ocurriera un incendio, manténgase alejado del artefacto y llame inmediatamente a su estación de bomberos. No intente apagar un incendio de aceite o grasa con agua.

SI NO SIGUE ESTAS INSTRUCCIONES, PODRÍA PRODUCIRSE UN INCENDIO O EXPLOSIÓN, LO CUAL PODRÍA CAUSAR DAÑOS A LA PROPIEDAD, LESIONES PERSONALES O LA MUERTE.

**PELIGRO DE MONÓXIDO DE CARBONO**

Quemar trozos de madera o carbón genera monóxido de carbono, el cual no tiene olor y puede causar la muerte. NO queme carbón vegetal o trozos de madera dentro de los hogares, vehículos, tiendas de acampar, garajes o cualquier área cerrada.

USE SOLAMENTE AL AIRE LIBRE donde está bien ventilado.

**PELIGRO**

1. No almacene cilindros de repuesto de LP bajo o cerca de este artefacto.
2. Nunca llene el cilindro más allá del 80% lleno.
3. Si la información en (1) y (2) no se sigue rigurosamente, podría ocurrir un incendio que cause la muerte o lesiones graves.

**ADVERTENCIAS Y SALVAGUARDAS IMPORTANTES**

PELIGRO: EL GAS LICUADO DE PROPANO (LP) ES INFLAMABLE Y PELIGROSO SI SE MANEJA INDEBIDAMENTE. CONOZCA SUS CARACTERÍSTICAS ANTES DE USAR CUALQUIER PRODUCTO DE PROPANO.

- En su estado natural, el propano no tiene olor. Para su seguridad, se le ha añadido un olor.
- El contacto con el propano puede causar quemaduras de congelamiento en la piel.
- Esta parrilla se despacha desde la fábrica sólo para uso con gas propano.
- Nunca use un cilindro de propano si el cuerpo, válvula, anillo o patas están dañados.
- Los cilindros dentados u oxidados pueden ser peligrosos y los debe revisar su proveedor de gas propano.



ADVERTENCIAS Y SALVAGUARDAS IMPORTANTES



- El ahumador es solo para uso CASERO en exteriores.
- No toque las partes de metal de la parrilla hasta que se haya enfriado completamente (unos 45 minutos) para evitar quemaduras, a menos que esté usando implementos de protección (guantes de barbacoa, sujetadores de ollas, etc.)
- No modifique esta parrilla de ninguna forma.
- Mantenga el compartimiento de la válvula de la parrilla, los quemadores y las vías de aire de circulación limpios. Inspeccione la parrilla antes de cada uso.
- Esta parrilla es solamente para uso en exteriores, y no debe usarse dentro de un edificio, garaje u otra área cerrada.
- El uso de alcohol, medicamentos con receta o medicamentos sin receta pueden obstaculizar la habilidad del operador de ensamblar u operar correctamente la parrilla.
- Siempre abra la tapa de la parrilla lenta y cuidadosamente ya que el calor y vapor atrapados dentro de la parrilla pueden quemarlo gravemente.
- Siempre coloque su parrilla sobre una superficie dura y nivelada, lejos de los combustibles,
- No deje una parrilla encendida desatendida. Mantenga a los niños y mascotas lejos de la parrilla en todo momento.
- No use la parrilla cuando haya fuertes vientos.
- No cubra las rejillas de cocción u otros componentes con papel de aluminio, ya que esto bloquea la ventilación y puede dañarse la parrilla o producirse lesiones personales.
- No use ningún otro ensamblaje del regulador, más que el suministrado con su parrilla. El ensamblaje del regulador de repuesto es el número de parte 9003180097, que se puede obtener contactando al servicio al cliente, al: 1-800-489-1581.
- No almacene o use gasolina u otros vapores o líquidos inflamables cerca a este o cualquier otro aparato.
- Un cilindro de LP no conectado para uso no deberá almacenarse cerca a este o cualquier otro aparato.
- Cuando cocine con aceite/grasa, no permite que el aceite/grasa sobrepasen los 350°F (177°C).
- No almacene o use aceite de cocina adicional cerca a este o cualquier otro aparato.
- Esta parrilla debe usarse exclusivamente con gas propano (el cilindro de gas propano no está incluido).
- Nunca intente fijar esta parrilla al sistema de gas propano autocontenido de un remolque, casa rodante o casa.
- Nunca use carbón vegetal o líquido de encendedor con la parrilla a gas.
- No use gasolina, kerosene o alcohol para encender. El cilindro de suministro de gas LP debe estar construido y marcado en conformidad con las especificaciones de cilindros de gas propano del Departamento de Transporte de los EE. UU. (DOT) CFR 49.
- Esta parrilla no está prevista para ser usada o instalada en vehículos y/o botes recreativos.
- No intente mover la parrilla mientras esté encendida.
- No use la parrilla a menos que esté completamente ensamblada y que todas las partes estén bien aseguradas y ajustadas.
- Mantenga todos los elementos combustibles y superficies al menos a 10 pies (3 m) de distancia de la parrilla en todo momento.
- NO use esta parrilla o cualquier producto de gas cerca de construcciones combustibles desprotegidas.
- No use en una atmósfera explosiva. Mantenga el área alrededor de la parrilla despejada y libre de materiales combustibles, gasolina y otros vapores y líquidos inflamables.
- El artefacto no debe ubicarse o usarse bajo construcciones aéreas combustibles desprotegidas.
- El artefacto no es para uso comercial.
- Este artefacto no ha sido diseñado y nunca debe usarse como calentador.

Recomendaciones de proximidad estructural y uso seguro

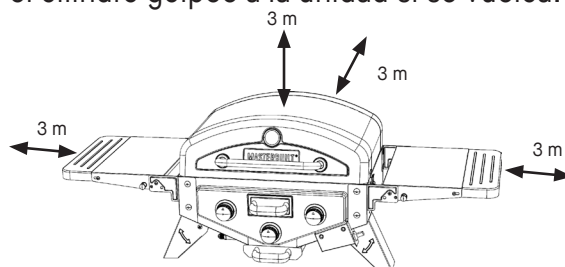
Antes de usar el ahumador, revise la dirección del viento y coloque el cilindro HACIA EL VIENTO, a 12 pulgadas (30.5 cm) en posición de pie. Esto es necesario para que el sistema de suministro del cilindro quede configurado para el retiro del vapor y para evitar que el cilindro golpee a la unidad si se vuelca.



AVERTISSEMENT



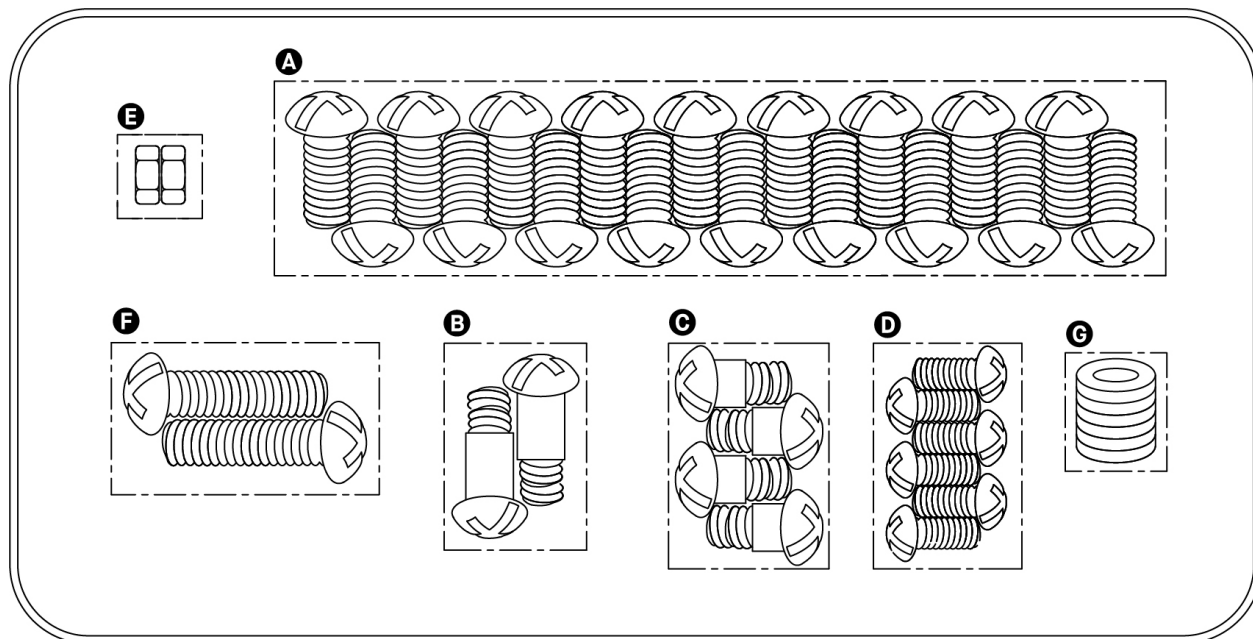
La manguera es un peligro de tropiezo que podría hacer que el cilindro de suministro se vuelque.



Lista de accesorios

• ANTES DEL ENSAMBLAJE, LEA TODAS LAS INSTRUCCIONES CUIDADOSAMENTE.

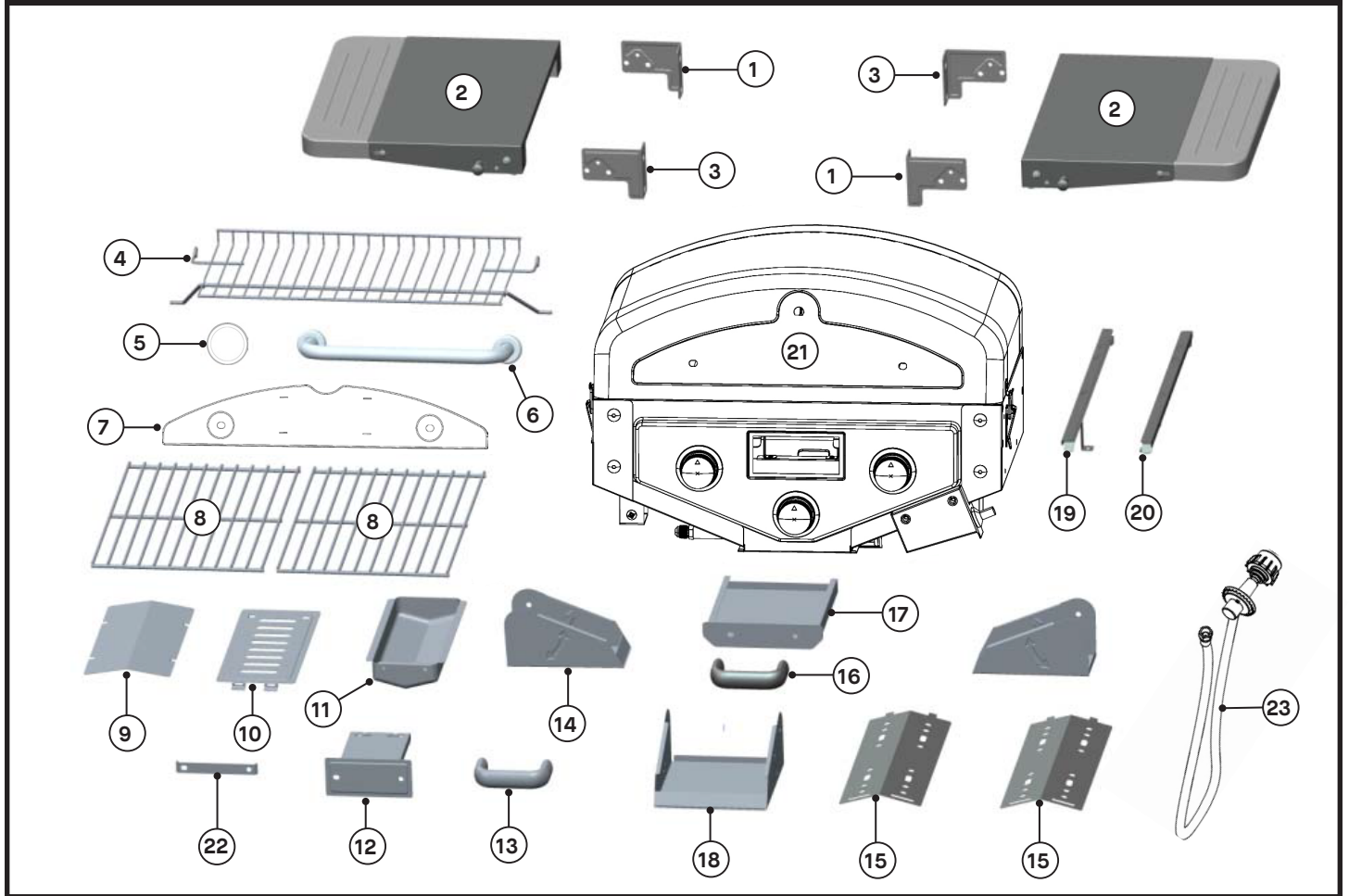
- Ensamble sobre una superficie plana y limpia.
- Herramientas necesarias: Llave ajustable o tenazas, destornillador en cruz Phillips
- Tiempo de ensamblaje aproximado: 20 minutos
- El producto real puede ser distinto de la imagen mostrada.
- Es posible que algunos pasos del ensamblaje hayan sido completados en fábrica.



Paquete de accesorios

Cant.		Descripción
18	A	Combinación tornillos de cabeza segmentada M6 x 12, revestidos en níquel negro
2	B	Pernos de resalto M5 x 17, revestidos en níquel negro
4	C	Pernos de resalto M5 x 12, revestidos en níquel negro
6	D	Combinación tornillos de cabeza segmentada M5 x 10, revestidos en níquel negro
2	E	Tuercas M5
2	F	Combinación tornillos de cabeza segmentada M6 x 20, revestidos en níquel negro
6	G	Arandelas de resorte

Lista de partes



NO	CANT.	DESCRIPCIÓN
1	2	Abrazadera izquierda de la repisa lateral
2	2	Repisa lateral
3	2	Abrazadera derecha de la repisa lateral
4	1	Rejilla de calentamiento
5	1	Indicador de calor
6	1	Asa de la tapa
7	1	Placa decorativa de la tapa
8	2	Rejilla de cocción
9	1	Cubierta de la caja de trozos de madera
10	1	Tapa de la caja de trozos de madera
11	1	Caja de trozos de madera
12	1	Ensamblaje del panel delantero de la caja de trozos de madera

NO	CANT.	DESCRIPCIÓN
13	1	Asa de la caja de trozos de madera
14	2	Pata de apoyo lateral
15	2	Cubierta de calor
16	1	Asa de la bandeja de grasa
17	1	Bandeja de grasa
18	1	Pata de apoyo posterior
19	1	Riel izquierdo de la caja de trozos de madera
20	1	Riel derecho de la caja de trozos de madera
21	1	Ensamblaje de la tapa de la parrilla y el fogón
22	1	Seguro de la caja de trozos de madera
23	1	Manguera, válvula y regulador (preensamblado)

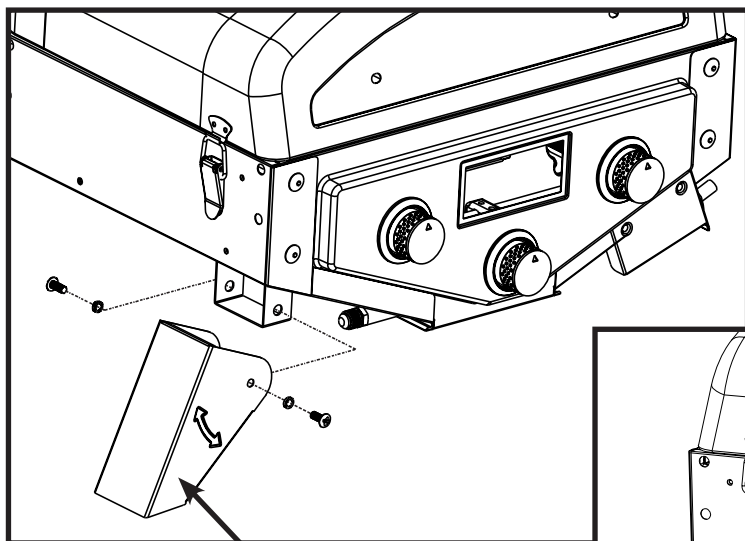


NO REGRESE AL MINORISTA para solicitar asistencia en el ensamblaje del artefacto, o para reclamar partes faltantes o dañadas. Contacte al Servicio al cliente de MASTERBUILT al 1-800-489-1581 o en support.masterbuilt.com.

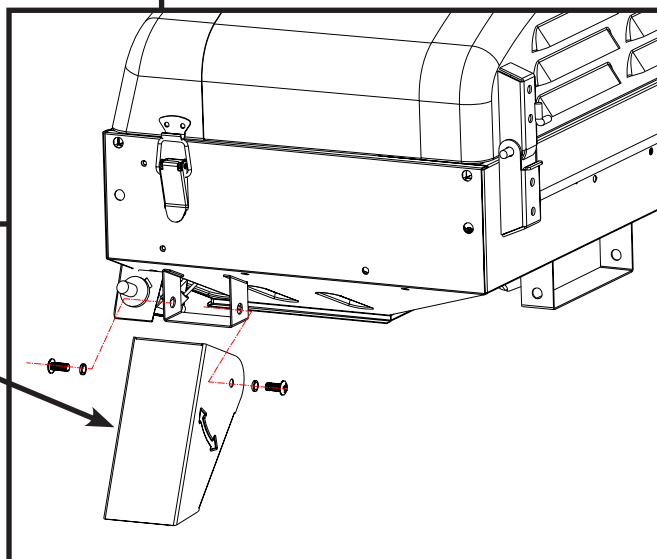
Tenga a la mano el número de modelo y el número de serie. Estos números se encuentran en la etiqueta plateada de clasificación de la parrilla.

GUARDE ESTAS INSTRUCCIONES

1



Patas de apoyo lateral

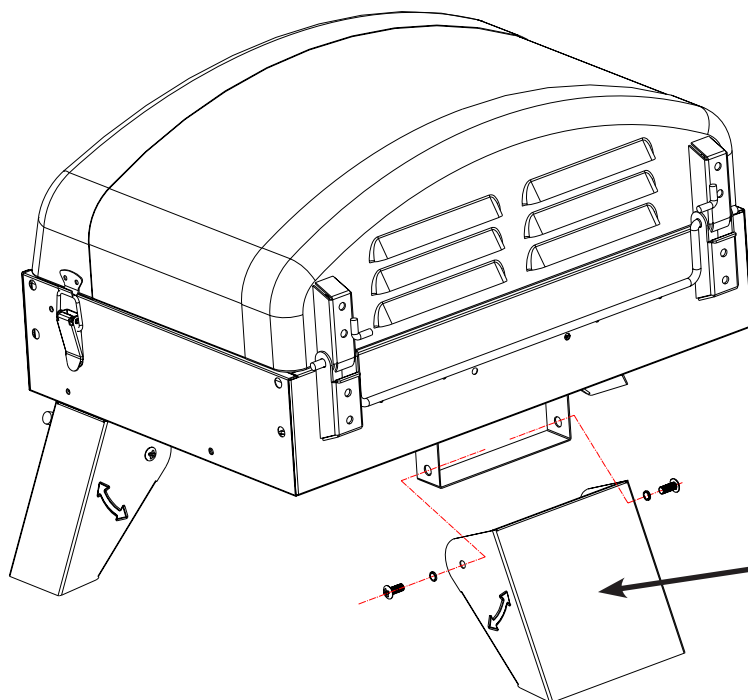


PASO 1:

Ensamblaje de la pata

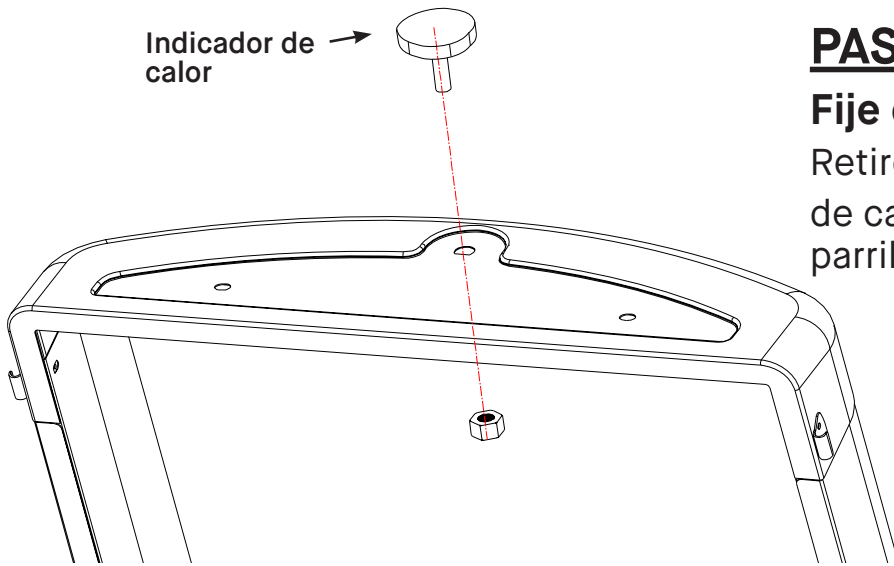
Accesorios necesarios:

- A** (6) Pernos M6x12
- G** (6) Arandelas de resorte



Pata de apoyo posterior

Indicador de calor →



PASO 2:

Fije el indicador de calor

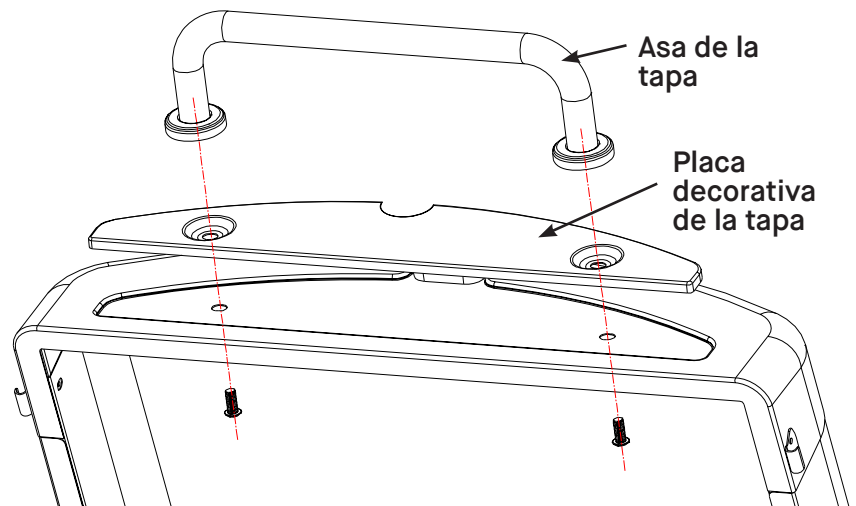
Retire primero la tuerca del indicador de calor antes de fijar la tapa de la parrilla.

PASO 3:

Fije la placa decorativa de la tapa y el asa de la tapa

Accesorios necesarios:

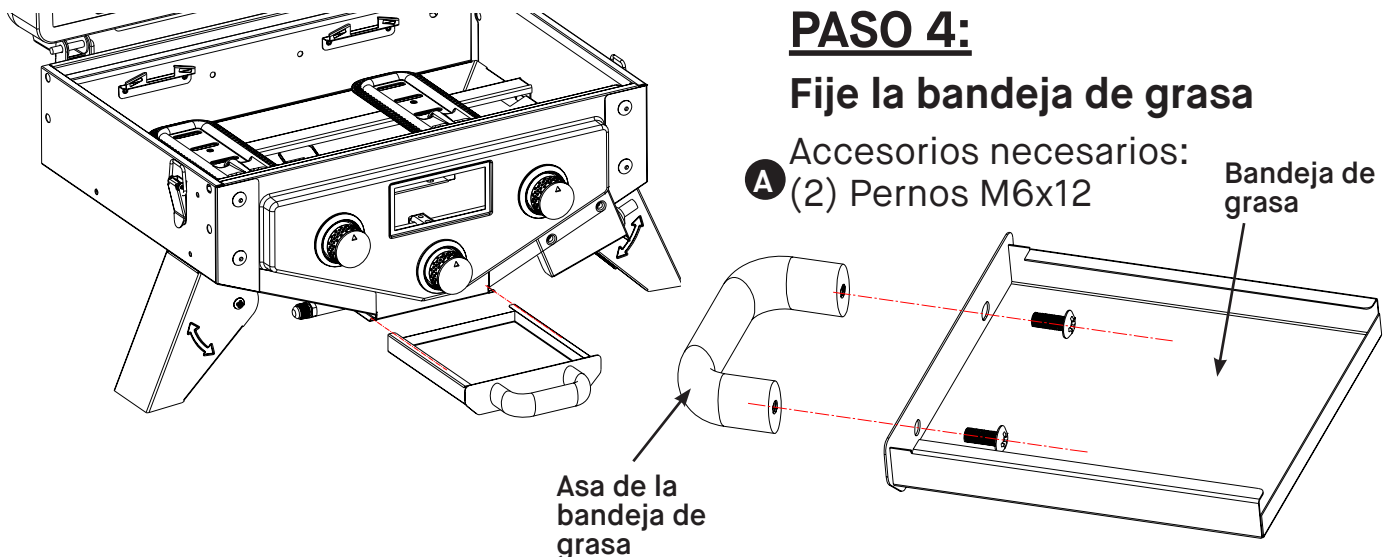
F (2) Pernos M6x20



PASO 4:

Fije la bandeja de grasa

Accesorios necesarios:
A (2) Pernos M6x12



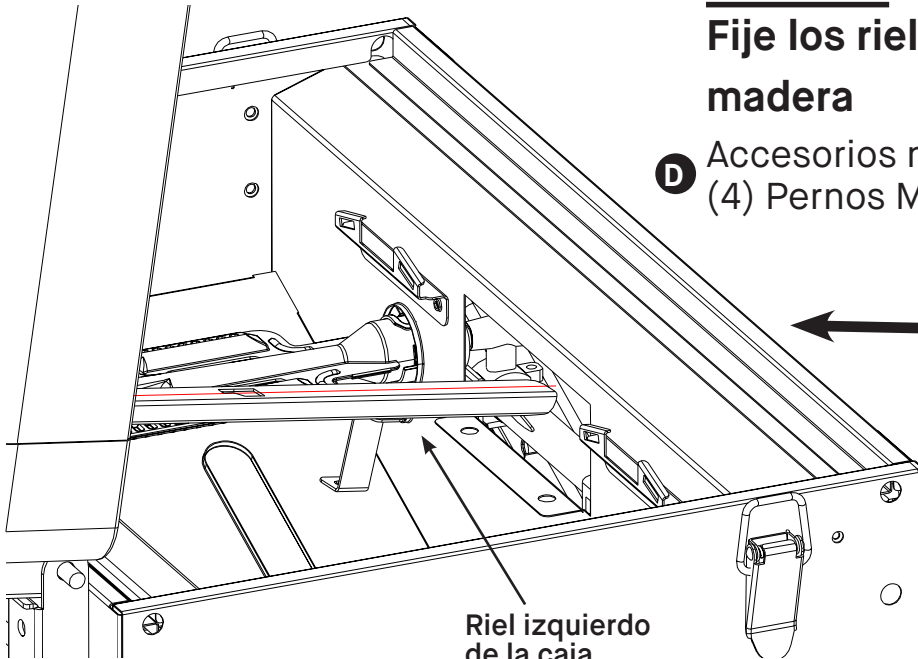
PASO 5:

Fije los rieles de la caja de trozos de madera

D Accesorios necesarios:
(4) Pernos M5x10

PASO 5A

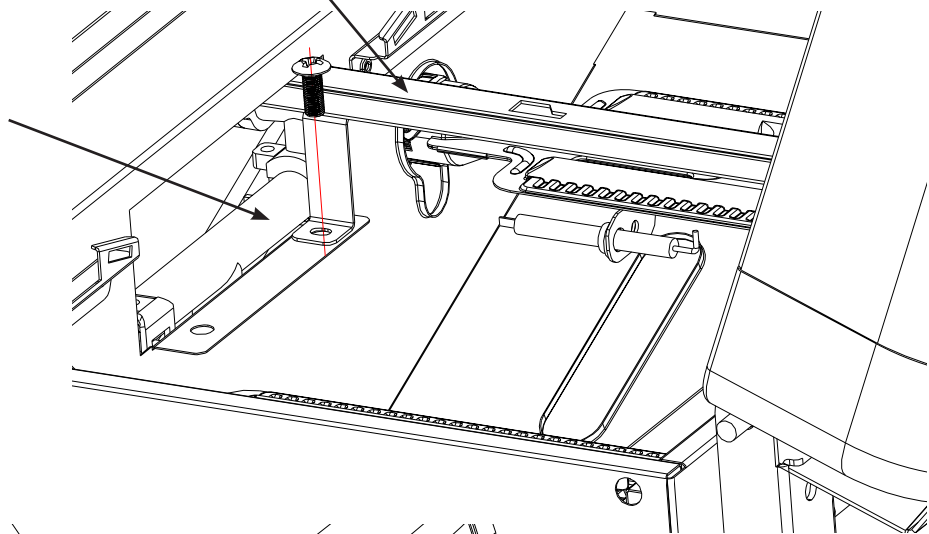
Presione el riel izquierdo de la caja de trozos de madera en el orificio rectangular en el panel delantero del fogón.



Riel izquierdo de la caja de trozos de madera

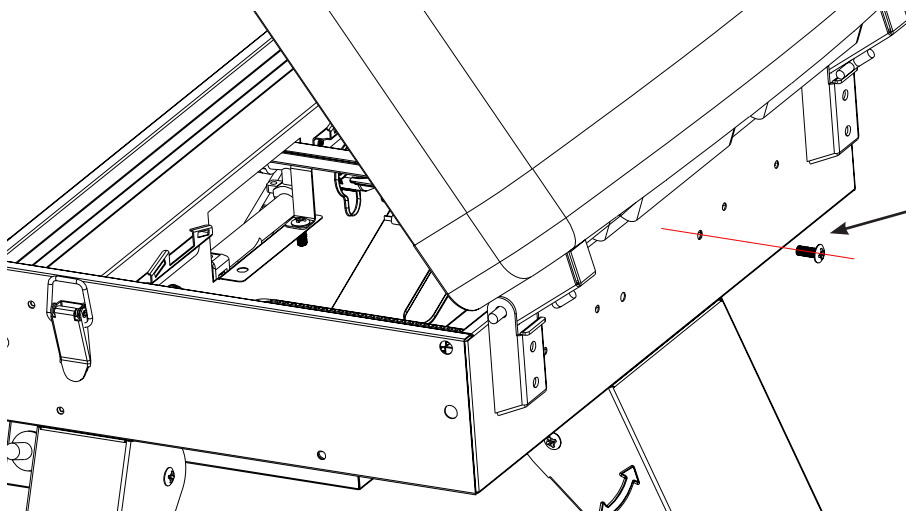
PASO 5B

Fije la abrazadera del riel izquierdo de la caja de trozos de madera al lado izquierdo del panel delantero.



PASO 5C

Fije la abrazadera al lado izquierdo del panel posterior.

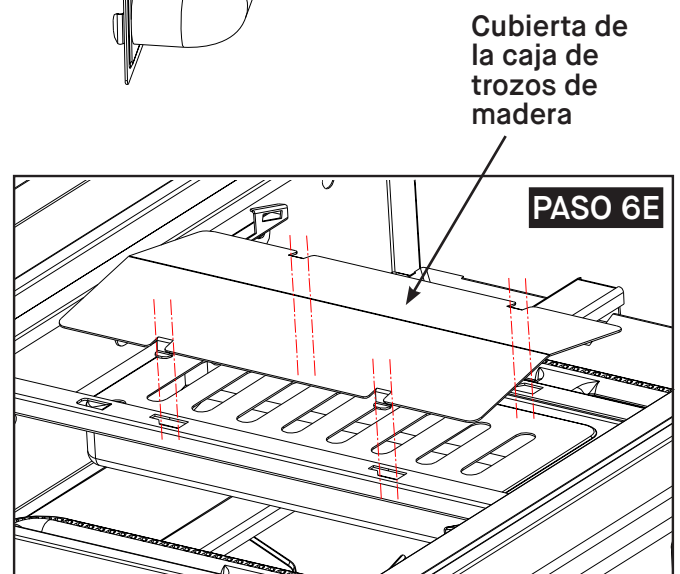
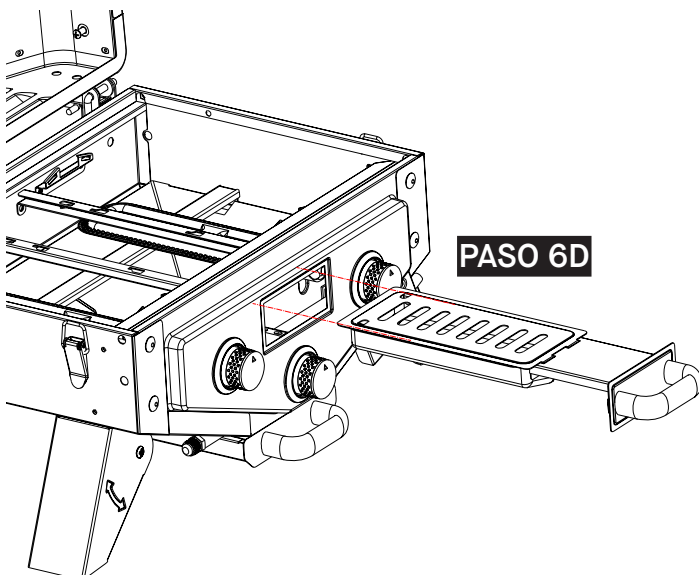
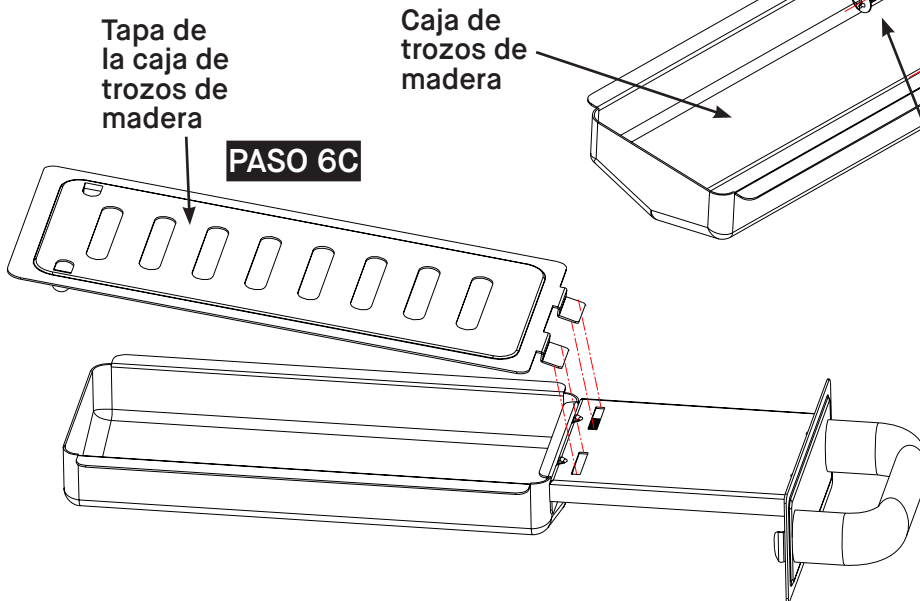
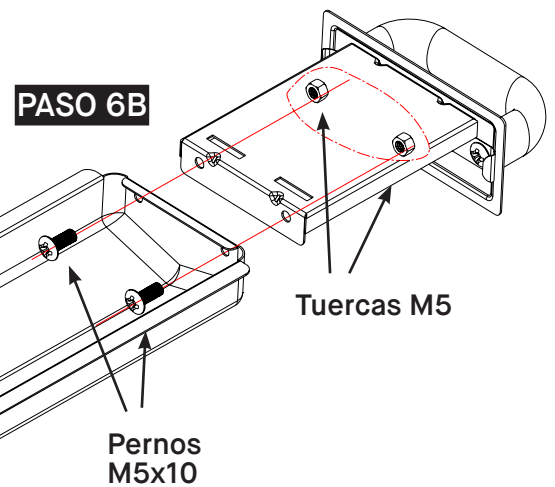
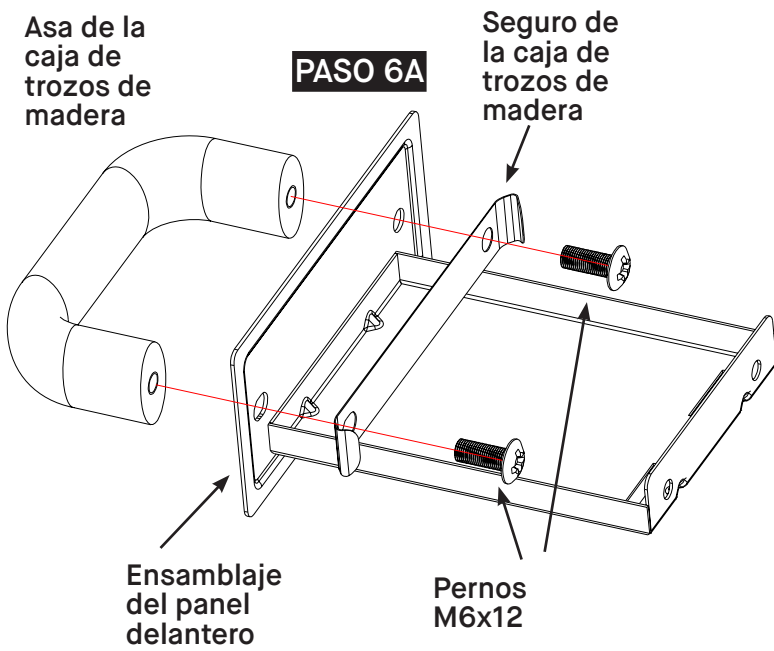


Repita este procedimiento para fijar el riel derecho de la caja de trozos de madera.

PASO 6: **Fije el ensamblaje de la caja de trozos de madera**

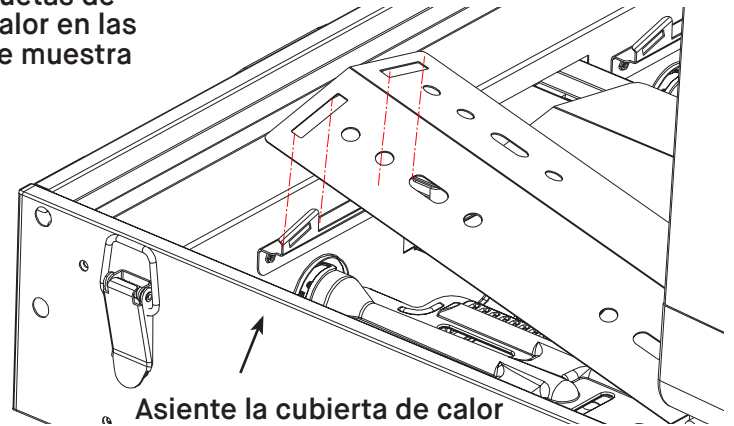
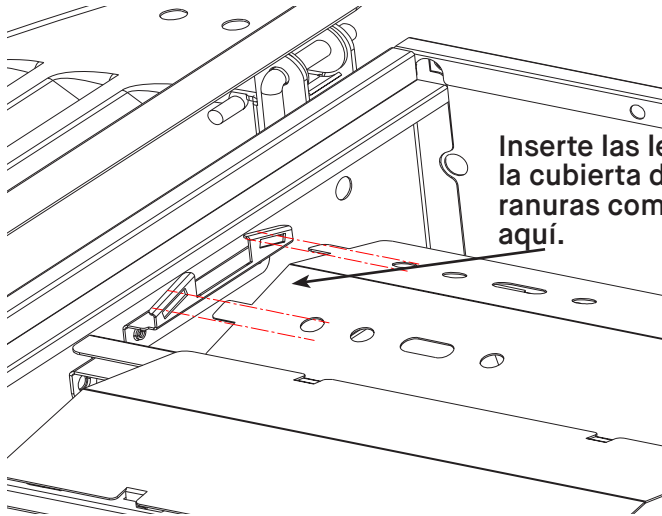
Accesorios necesarios:

- A** (2) Pernos M6x12
- D** (2) Pernos M5x10
- E** (2) Tuercas M5



PASO 7:

Instale las cubiertas de calor



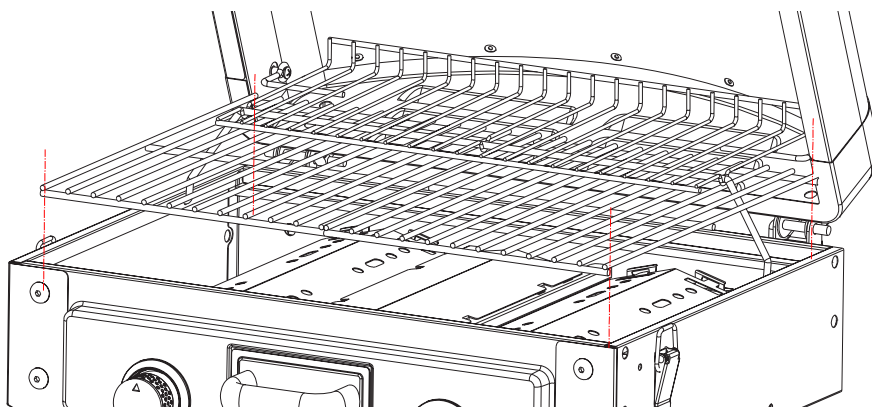
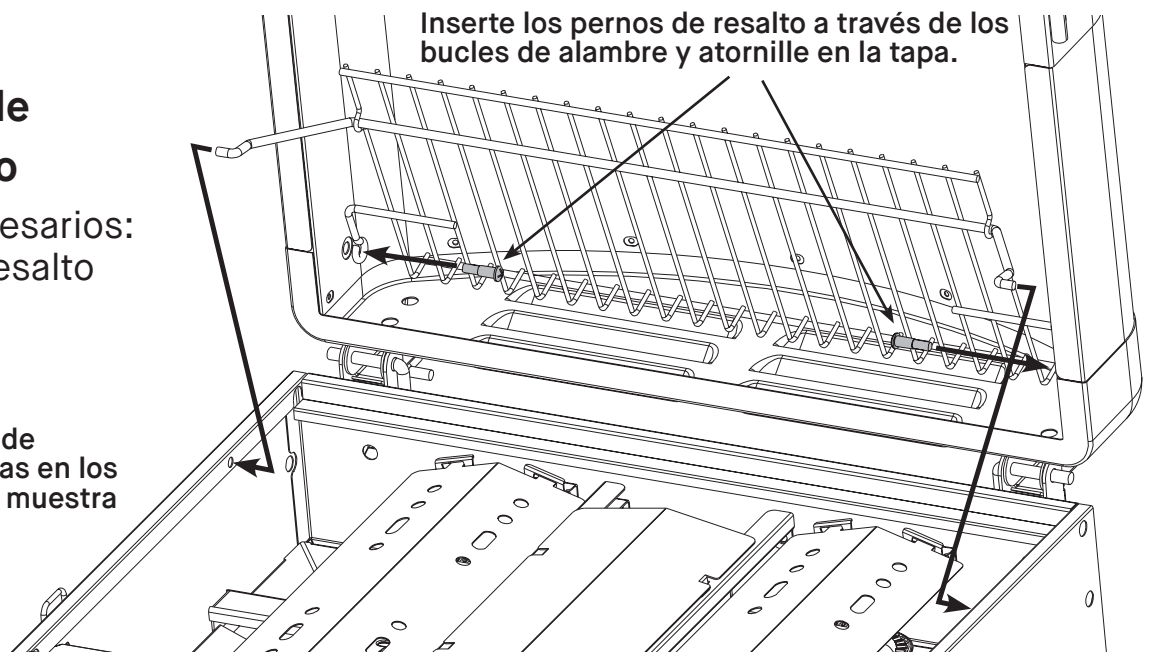
PASO 8:

Fije la rejilla de calentamiento

Accesorios necesarios:

- B** (2) Pernos de resalto M5x17

Inserte las patas de alambre delanteras en los orificios como se muestra aquí.



PASO 9:

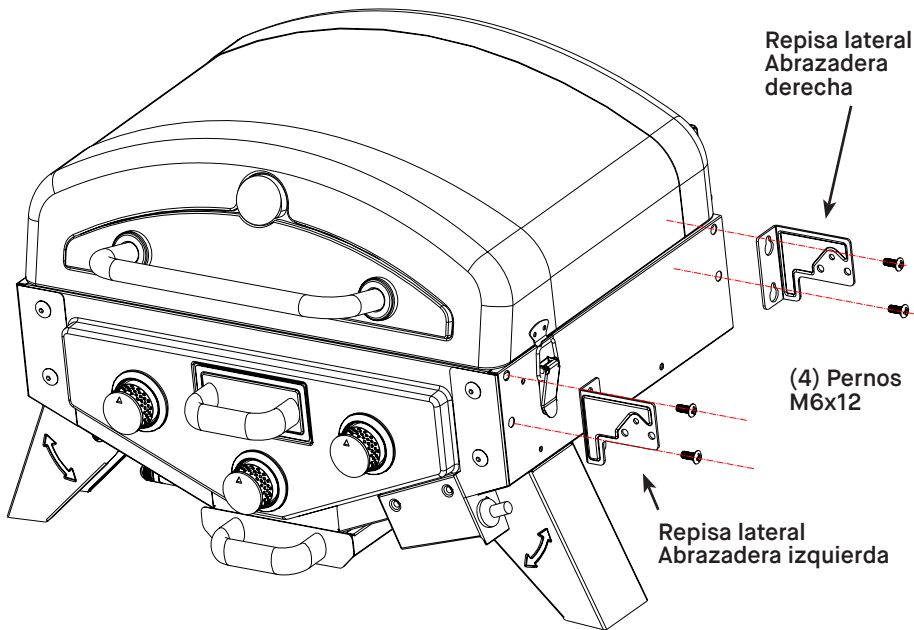
Inserte las rejillas de cocción

PASO 10:

Fije las abrazaderas de la repisa lateral

Accesorios necesarios:

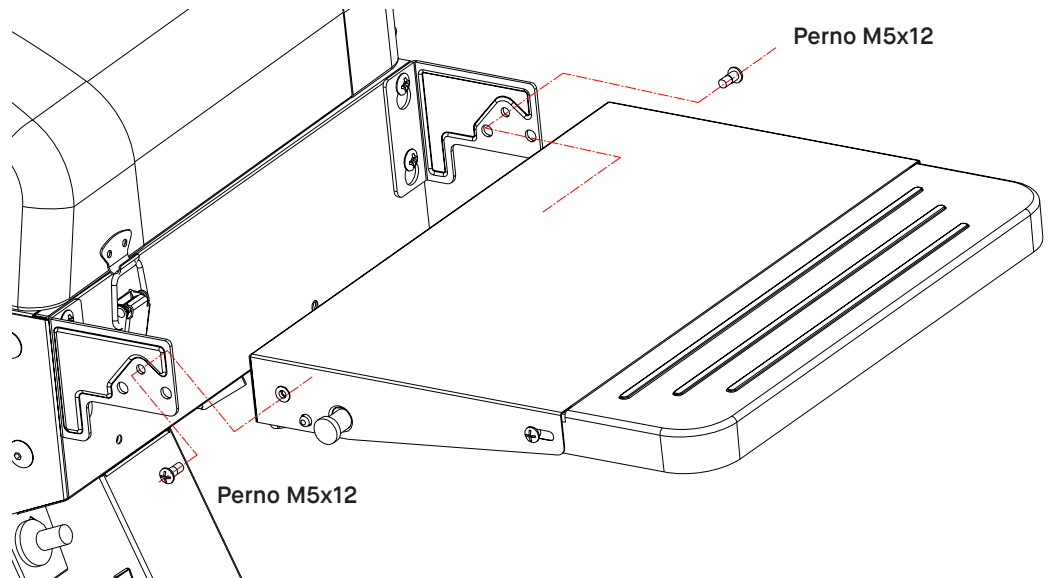
A) Pernos M6x12



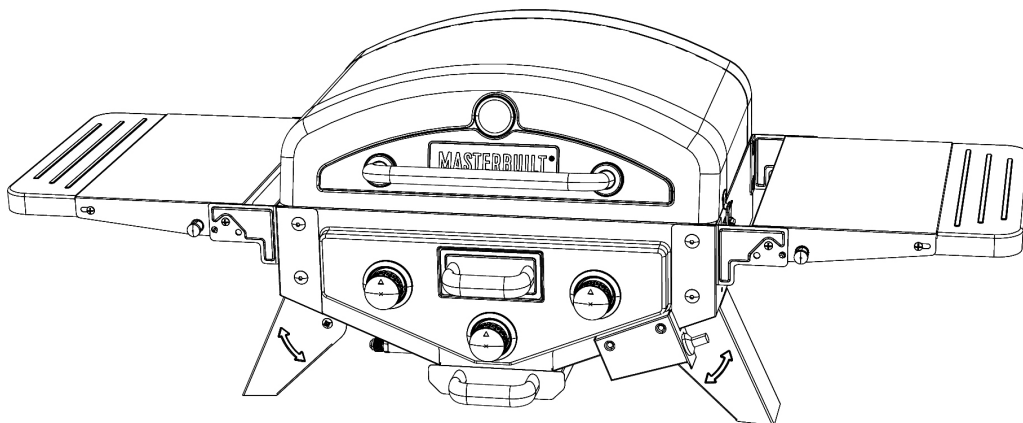
PASO 11: Fije la repisa lateral

Accesorios necesarios:
(4) Pernos M5x12

Repita los pasos 10 y 11 para fijar la otra mesa lateral.



EL ENSAMBLAJE DE SU PARRILLA ESTÁ AHORA COMPLETO.



PARA SU SEGURIDAD, SIGA TODAS LAS SALVAGUARDAS E INSTRUCCIONES.



ADVERTENCIAS Y ESPECIFICACIONES



- Sólo conecte esta parrilla a una válvula de cilindro Tipo 1. La válvula Tipo 1 puede identificarse por los alambres externos largos en la salida de la válvula.
- NO conecte a un cilindro de propano que exceda una capacidad de 20 lb. (9.1 kg).
- NO conecte a un cilindro que use algún otro tipo de dispositivo de conexión de válvula.
- Inspeccione el sello de goma de la válvula del tanque de propano en busca de fisuras, desgaste o deterioro antes de su uso. Un sello de goma dañado puede causar una fuga de gas, dando como posible resultado una explosión, incendio o daño corporal grave.
- Apague la válvula del cilindro cuando su parrilla no esté en uso.
- Manipule el tanque con cuidado.
- Siempre asegure el cilindro en posición recta de pie.
- Nunca conecte un cilindro de gas LP a su parrilla.
- NO exponga los cilindros de gas LP a calor excesivo o fuentes de ignición.
- NO almacene cilindros de repuesto de gas LP bajo o cerca de su parrilla.
- Nunca llene un cilindro LP más allá de 80% lleno.
- Si las instrucciones anteriores no se siguen con exactitud, podría ocurrir un incendio que cause la muerte o lesiones graves.
- Lea y siga todas las advertencias e instrucciones que están en el cilindro y que acompañan a este producto.

▲ PELIGRO ▲

- NO almacene un cilindro de gas LP de repuesto (lleno o vacío) bajo o cerca de su parrilla. Esto podría causar la expulsión de un exceso de presión a través de la válvula de alivio de vapor que dé como resultado un incendio, explosión o lesiones personales graves, incluyendo la muerte.
- El gas propano es más pesado que el aire y se colectará en áreas más bajas. Una ventilación apropiada es extremadamente importante. Mantenga las aberturas de la ventilación del compartimiento del cilindro de gas LP libre y despejado de obstrucciones y suciedad.
- NO inserte objetos extraños en la salida de la válvula del cilindro, ya que esto podría dañar el sello de goma. No use el tanque de propano con un sello de goma dañado. Un sello de goma dañado puede causar una fuga de gas, dando como posible resultado una explosión, incendio, daño corporal grave o la muerte.
- Inspeccione el sello de goma en busca de fisuras, desgaste o deterioro antes de su uso.
- Siempre mantenga el cilindro (tanque) en posición recta durante el uso, tránsito o almacenamiento.



ADVERTENCIAS Y ESPECIFICACIONES



- NO intente conectar la parrilla, adquirida para gas (propano) LP, a otra fuente de suministro de combustible, como a una línea de gas natural.
- No use ningún otro ensamblaje de la manguera y el regulador, más que el suministrado con su parrilla. El reemplazo de la manguera/regulador de presión de repuesto tiene que ser el N.º de pieza KR101, el cual se puede obtener contactando al servicio de asistencia al cliente al: 1-800-489-1581 (lunes a viernes de 8:00 a.m. a 5:00 p.m., EST).
- No intente ajustar o reparar un regulador. Asegúrese que la válvula del tanque esté cerrada antes de conectar el cilindro de gas LP a su parrilla. Gire la perilla de la válvula hacia la derecha para cerrar correctamente la válvula. Lea y siga todas las instrucciones y advertencias de las etiquetas de seguridad de la manguera de suministro. Lea y siga todas las advertencias de este manual concernientes al uso seguro de los cilindros de gas LP y la manguera y regulador antes de conectar el cilindro a la parrilla. Lea y siga todas las advertencias del cilindro de LP.

ESPECIFICACIONES DEL CILINDRO (TANQUE) DE GAS LP:

Cuando adquiera o intercambie un cilindro para su parrilla de gas, debe ser:

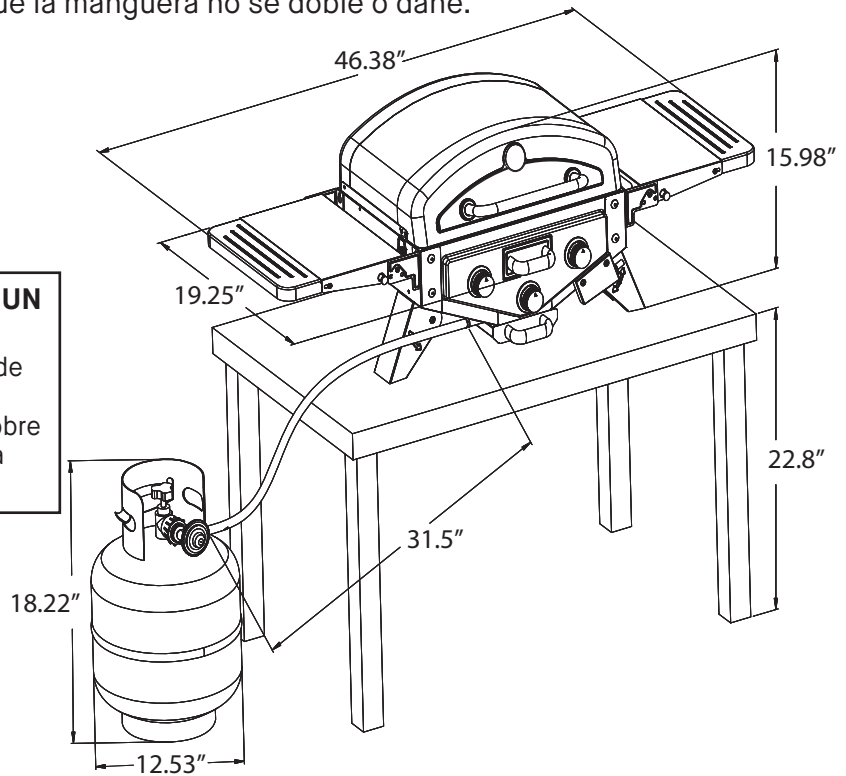
1. Construido y marcado en conformidad con las especificaciones de los cilindros de gas LP del Departamento de Transporte (DOT) de los EE. UU. y
2. Equipado con un dispositivo de prevención de desbordes (OPD) especificado y
3. Equipado con un dispositivo de conexión del cilindro compatible con la conexión para el artefacto de cocción en exteriores.

INSTALACIÓN DEL CILINDRO DE GAS LP (TANQUE) EN LA PARRILLA:

1. Asegúrese que el tanque esté bien colocado, sobre una superficie plana y nivelada.
2. Verifique que la válvula del cilindro esté cerrada girando la perilla hacia la derecha.
3. Oriente el cilindro de tal manera que la manguera no se doble o dañe.

ADVERTENCIA: LA MANGUERA ES UN PELIGRO DE TROPIEZO.

Se recomienda que la longitud mínima de la ruta de manguera sea 31.5" (80 cm); también se sugiere colocar la parrilla sobre una mesa a prueba de incendio con una altura de 22.8" (58 cm).



El cilindro de gas también debe venir equipado con:

- Una válvula de cierre que termine en una salida de la válvula del cilindro de gas Tipo 1.
- Una válvula Tipo 1 que evita que el gas fluya hasta lograr un sellado positivo.
- Un ajuste para el retiro del vapor.
- Un anillo para proteger la válvula de cierre del cilindro.
- Un dispositivo de alivio de seguridad con comunicación directa con el espacio de vapor del cilindro.
- Un dispositivo de prevención de desbordes (OPD) especificado.

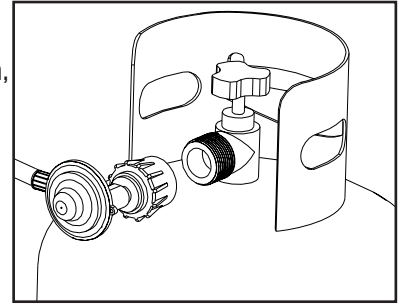
ANTES DE GUARDAR SU Parrilla:

- Asegúrese que la válvula del cilindro esté completamente cerrada.
- Limpie todas las superficies. Cubra ligeramente los quemadores con aceite de cocina para evitar una excesiva oxidación.
- Si guarda la parrilla en interiores, desconecte el tanque LP y déjelo al EXTERIOR.
- Coloque una tapa guardapolvos en la salida de la válvula del cilindro cuando no esté en uso. Sólo instale el tipo de tapa guardapolvos en la salida de la válvula del cilindro que viene equipada con la válvula del cilindro. Otros tipos de tapas o taponos pueden dar como resultado una fuga del propano.

Instrucciones de operación

CONEXIÓN DEL CILINDRO DE GAS LP EN LA PARRILLA:

1. Inspeccione el sello de goma de la válvula del tanque de propano en busca de fisuras, desgaste o deterioro antes de su uso.
Un sello de goma dañado puede causar una fuga de gas, dando como posible resultado una explosión, incendio o daño corporal grave. No use un tanque de propano con un sello de goma dañado.
2. Fije o retire el regulador al cilindro de gas LP sólo cuando el cilindro esté asentado en el soporte del tanque.
3. Verifique que la válvula del cilindro esté cerrada girando la perilla hacia la derecha.
4. Verifique que las perillas de control del quemador de la parrilla estén en las posiciones de "OFF".
5. Inspeccione visualmente el ensamblaje de la manguera antes de cada uso en busca de daños, desgaste excesivo o deterioro. Si encuentra alguno de estos, reemplace el ensamblaje antes de usar su parrilla. Sólo debe usarse los repuestos suministrados por el fabricante.
6. Retire la tapa de plástico protectora de la válvula del cilindro.
7. Verifique que la manguera no contenga torceduras, que no tenga bordes filosos y que no entre en contacto con superficies que puedan calentarse durante el uso.
8. Sostenga el regulador e inserte la boquilla de latón en la salida de la válvula de cilindro de LP. Asegúrese que el dispositivo esté correctamente centrado.
9. Gire la tuerca de acoplamiento grande hacia la derecha y ajústela hasta una detención total. Tenga cuidado de no atravesar la tuerca de acoplamiento en la válvula del cilindro. No use herramientas para ajustar la conexión. Nota: Si no puede realizar la conexión, repita los Pasos 7 y 8.



PRUEBA CONTRA FUGAS:

ADVERTENCIA: NUNCA USE SU Parrilla SIN HABER REALIZADO ANTES UNA PRUEBA CONTRA FUGAS DE TODAS LAS CONEXIONES DE GAS, MANGUERAS Y DEL TANQUE DE PROPANO.

PELIGRO: PARA EVITAR UN INCENDIO O PELIGRO DE EXPLOSIÓN:

- No ahúme ni permita que haya fuentes de ignición en el área mientras realiza una prueba contra fugas.
- Realice la prueba en EXTERIORES, en un área bien ventilada que esté protegida del viento.
- Nunca realice una prueba contra fugas usando un fósforo o una llama abierta.
- Nunca realice una prueba contra fugas mientras la parrilla esté en uso o si sigue caliente.

CUÁNDO REALIZAR UNA PRUEBA CONTRA FUGAS:

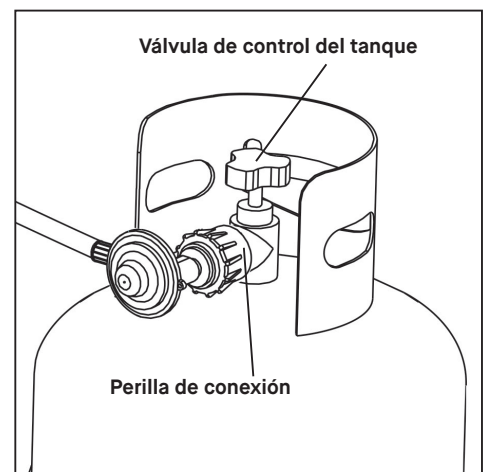
- Se debe realizar una prueba contra fugas cada vez que opere la unidad.

VERIFIQUE SI HAY FUGAS:

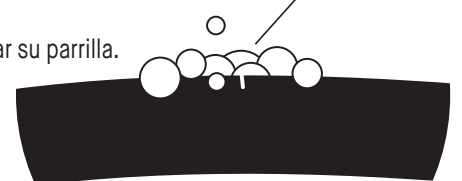
PRECAUCIÓN: Los fuertes olores, resfríos, congestión nasal, etc. pueden evitar la detección del propano por el olor. Tenga precaución y use su sentido común cuando realice las pruebas contra fugas.

Nota: La prueba contra fugas debe realizarse en un área tranquila, fuera del viento y que tenga una iluminación adecuada para poder ver cómo aparecen las burbujas o para que puedan detectarse las fugas mayores por olor o sonido.

1. Cree una mezcla de 50% agua y 50% de detergente lavaplatos líquido.
2. Abra las puertas.
3. Asegúrese que todas las perillas de control estén en la posición de "OFF".
4. Encienda el gas en la válvula del tanque de propano. Gire la perilla de la válvula del cilindro hacia la izquierda para abrir completamente. Si escucha un sonido de ráfaga o huele gas, apáguelo. Ajuste cualquier conexión que presente fugas. Si se detecta una fuga en la perilla de conexión y al ajustarla no se detiene la fuga, vuelva a inspeccionar el sello de goma del tanque de propano.
5. Aplique la mezcla de agua jabonosa a la manguera y las conexiones.
6. Verifique si hay burbujas, pues estas son señal de fuga. Las fugas mayores podrían no ser detectadas por las burbujas, pero deberían producir un sonido de ráfaga o un olor a gas.
7. Apague el suministro de gas a la válvula del tanque de propano.
8. Encienda las perillas de control para liberar la presión de gas en la manguera.
9. Gire las perillas de control a la posición de "OFF".
10. Ajuste cualquier conexión que presente fugas. Si se detecta una fuga en la tuerca de conexión y al ajustarla no se detiene la fuga, vuelva a inspeccionar el sello de goma del tanque de propano.
11. Repita la prueba de agua jabonosa: hasta que no se detecten fugas.
12. Apague el suministro de gas a la válvula del tanque de propano hasta que esté listo para usar su parrilla.
13. Lave los residuos de agua jabonosa con agua fría y seque con una toalla.
14. Espere 5 minutos para permitir que todo el gas evacúe el área antes de encender la parrilla.



Observe si hay burbujas



ADVERTENCIA: NO use la parrilla si no se pueden detener las fugas. Apague el gas y la parrilla. Contacte a Masterbuilt. 1-800-489-1581

Instrucciones de operación



ADVERTENCIA: Lea, entienda y siga todas las advertencias e instrucciones contenidas en este manual.

NO se salte ninguna de las advertencias e instrucciones contenidas en las secciones anteriores de este manual.

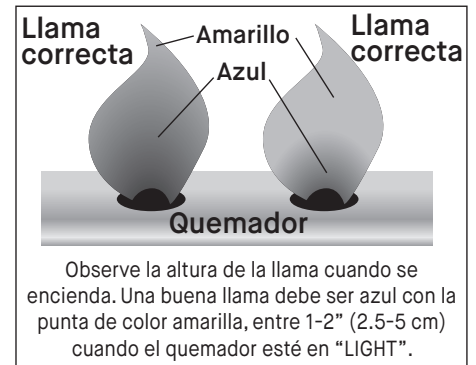


Siga las instrucciones con exactitud.

1. ABRA LA TAPA DE LA PARRILLA antes de intentar encender un quemador para que los vapores no se acumulen dentro de la parrilla. Podría ocurrir una explosión si la tapa de la parrilla está hacia abajo.
2. Verifique que la perilla de control del regulador esté girada a la posición de "OFF" (apagado).
3. NO se parece con la cabeza, cuerpo o brazos sobre la parrilla cuando la encienda.

ENCENDIDO DE LA PARRILLA:

1. Abra la tapa antes de encender el quemador.
2. Asegúrese que la perilla de control del regulador esté en la posición de "OFF".
3. Presione hacia adentro y gire la perilla del regulador hacia la izquierda a "LIGHT" (alto).
4. Presione el botón del arrancador para encender el quemador.
5. Si NO se produce un encendido en 5 segundos, gire la perilla de control del regulador a OFF, espere 5 minutos para dejar que el gas se disipe y repita el procedimiento de encendido.
6. Si el arrancador NO enciende el quemador, puede encenderlo con un fósforo o con un encendedor de butano retirando una de las rejillas de cocción. Luego colóquelo junto a una abertura en la cubierta de calor. Luego siga el procedimiento de encendido anterior.



OPERACIÓN DE LA PARRILLA:

- Lea y siga todas las advertencias e instrucciones contenidas en las secciones anteriores de este manual.
- Nunca use carbón vegetal, piedras de lava o briquetas de madera en una parrilla de gas. Las virutas de sabor deben estar contenidas dentro de un fogón de metal para contener las cenizas y evitar los incendios.
- NO cubra las rejillas de cocción u otros componentes con papel de aluminio, ya que esto bloquea la ventilación y puede dañarse la parrilla o producirse lesiones personales.
- NO deje su parrilla desatendida mientras esté encendida o en uso.
- NO mueva la parrilla cuando esté en uso.
- NO use agua en un incendio de grasa. No es posible cerrar la tapa para extinguir un incendio de grasa. Use un extintor de incendios de químico seco tipo BC o apague las llamas con tierra, arena o bicarbonato de sodio.
- Nunca cocine sobre la parrilla sin la bandeja de grasa en su lugar.

CURADO DE LA PARRILLA:

- Al fabricar y preservar los componentes de su parrilla, pueden haber presentes residuos de aceite en los quemadores y las sustancias de cocción de su parrilla.
- Antes de cocinar en su parrilla por primera vez, debe precalentarla por 15 minutos en "LIGHT" para quemar estos aceites residuales.

PRECALENTAMIENTO DE LA PARRILLA:

- Antes de cada uso, se recomienda precalentar su parrilla. Esto asegura que las superficies de la parrilla estén a la temperatura deseada para sellar los alimentos cuando cocine. Luego de encender su parrilla, configure las perillas de control del quemador principal a la posición de "LIGHT" por 5 a 10 minutos. Cierre la tapa durante el periodo de precalentamiento.

Instrucciones de operación

CONTROL DE LOS ESTALLIDOS E INCENDIOS DE GRASA:

- Los estallidos son parte de las carnes que se están cocinando sobre una parrilla de gas. Esto añade un sabor único a la cocción en una parrilla de gas.
- Tenga precaución cuando abra la tapa ya que pueden ocurrir estallidos repentinos. Los estallidos excesivos pueden sobrecocinar sus alimentos y crear una situación peligrosa para usted y su parrilla.
- Los estallidos excesivos son el resultado de la acumulación de grasa en su parrilla. Si esto ocurriera, NO vierta agua sobre las llamas. Esto podría hacer que la grasa salpique, causando quemaduras o daños corporales graves.
- Si ocurre un incendio de grasa mientras la tapa está abierta, gire las perillas del quemador a "OFF" y apague la válvula del cilindro de LP. De ser posible, reubique los alimentos a una sección diferente de la rejilla de cocción y deje que la grasa quemee o apague las llamas con bicarbonato de sodio.
- Si ocurre un incendio de grasa mientras la tapa está abierta, déjela cerrada, porque una ráfaga repentina de aire puede aumentar las llamas. Gire las perillas del regulador a "OFF" para dejar que la grasa se quemee.

PARA MINIMIZAR LOS ESTALLIDOS:

- Recorte el exceso de grasa de las carnes antes de cocinarlas.
- Cocine las carnes con alto contenido de grasa (pollo o cerdo) en configuraciones bajas o de forma indirecta.
- Asegúrese que su parrilla esté nivelada y que la grasa pueda evacuar de la parrilla a través del orificio de drenaje en la parte inferior y en la bandeja de grasa.
- Limpie su parrilla y la cubierta de calor para retirar los residuos de alimentos con frecuencia para minimizar la acumulación de grasa.

APAGADO DE LA PARRILLA:

- Apague la perilla de control del regulador. NOTA: Retire el cilindro de propano del regulador cuando la parrilla no esté en uso.

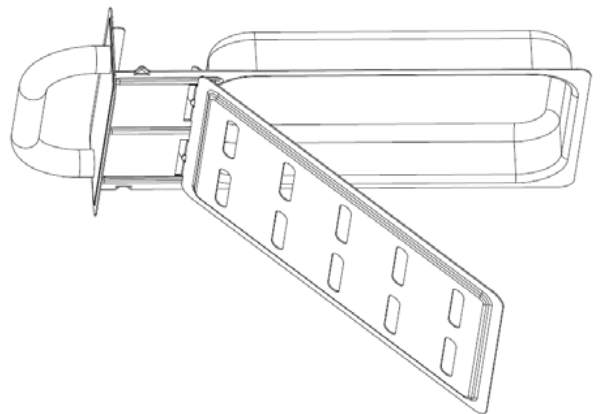
ADICIÓN DE MADERA (opcional):

Para añadir madera antes de cocinar, simplemente llene la caja de trozos de madera con su elección de maderas duras que le den sabor. La cantidad y el tipo de madera que use depende completamente de usted. Un fogón llena normalmente basta para 30 minutos de ahumado. Una vez que el fogón esté lleno de madera, deslícelo hacia la parrilla.

Nota: Recomendamos remojar los trozos de madera en un tazón de agua al menos por 20 minutos para ayudar a producir más humo y ayudar a evitar que los trozos de madera se quemen demasiado rápido.

PRECAUCIÓN: El fogón con trozos de madera se vuelve muy caliente. Siempre use guantes protectores cuando manipule componentes calientes. Para añadir los trozos de madera mientras esté ahumando, tire de la caja de trozos de madera de la parrilla. Vuelque las cenizas de los trozos de madera en un contenedor de metal (preferiblemente con agua) para extinguir las cenizas de los trozos de madera. (Nota: La tapa del fogón de los trozos de madera se quedará sobre el fogón cuando vuelque las cenizas). Rellene el fogón con trozos de madera, cierre la tapa y deslice el fogón de vuelta a la parrilla.

Nota: Recomendamos apagar el quemador de ahumado mientras use los quemadores principales para ayudar a evitar que los trozos de madera se incendien.



PRECAUCIÓN: El fogón con trozos de madera se vuelve muy caliente. Siempre use guantes protectores cuando manipule componentes calientes.

USO DE MADERAS QUE DEN SABOR (opcional):

- Los trozos de madera pequeños funcionan mejor dentro de la caja de trozos de madera.
- Use maderas duras como nogal, pecana, manzano, cerezo o mezquite.
- La mayoría de las maderas de árboles de frutas o nueces producen un excelente sabor a ahumado.
- No use maderas resinosas, como pino o madera contrachapada. Estas generalmente producen un sabor desagradable.
- Experimente con distintos tipos y cantidades de trozos de madera. Las distintas maderas también pueden combinarse.
- Para producir más humo y evitar un rápido quemado, remoje previamente los trozos de madera en un tazón de agua por separado al menos por 20 minutos o envuelva los trozos de madera en un papel de aluminio perforado.
- La mayor parte del sabor a ahumado ocurre durante la primera hora de la cocción. Añadir trozos de madera después de la primera hora normalmente no es necesario, a menos que se desee un sabor adicional a ahumado.

Cuidado y mantenimiento

LIMPIEZA DEL INTERIOR DE LA PARRILLA:

- Recomendamos limpiar los residuos de alimentos inmediatamente después de cocinar, frotando suavemente las rejillas con una escobilla con cerdas de alambre y luego configurando los quemadores en "LIGHT" por aproximadamente 5 minutos.
- El calor del quemador terminará de quemar la mayor parte de los residuos de alimentos/grasa de las rejillas y las cubiertas de calor y los convertirá en una sustancia similar a las cenizas, la cual caerá al fondo del fogón o bandeja de grasa. Luego que la parrilla se enfríe (aproximadamente 30 minutos), retire las rejillas y la cubierta de calor, y retire con la escobilla las cenizas y cualquier residuo de grasa fuera del fogón. Limpie y reemplace la bandeja de grasa. Inspeccione las cubiertas de calor en busca de daños o deterioro antes de volver a instalar dentro la parrilla. (Pueden hacerse pedidos de repuestos llamando a este número gratuito: 800-489-1581)
- Lave las rejillas y la cubierta de calor con un detergente suave y enjuague con agua caliente periódicamente, si desea.
- El humo se acumulará dentro de la tapa de la parrilla y puede descamarse sobre sus alimentos. Limpie el interior de la tapa de la parrilla con cepillos de restregar y una solución de bicarbonato de sodio con agua. Seque exhaustivamente. No se confunda y piense que es pintura. El interior de las tapas de la parrilla de gas no está pintado.



PRECAUCIÓN: NO permita que queden residuos de cenizas en la bandeja de grasa o el fogón ya que esto podría bloquear el drenaje adecuado de la grasa de la parrilla.



MANTENIMIENTO DEL EXTERIOR DE LA PARRILLA:

- Para proteger su parrilla de una oxidación excesiva, la unidades debe mantenerse limpia y cubierta en todo momento cuando no esté en uso.
- Superficies pintadas Lave con un detergente suave o un limpiador no abrasivo y agua jabonosa tibia.
- Superficies de porcelana. Debido a su composición similar al vidrio, la mayoría de residuos pueden limpiarse con una solución de bicarbonato de soda y agua. Use polvo desengrasante no abrasivo, como el bicarbonato de soda, para las manchas difíciles de sacar.

LIMPIEZA Y MANTENIMIENTO DEL QUEMADOR:

- Mantenga el artefacto libre y despejado de materiales combustibles, gasolina y otros vapores y líquidos inflamables.
- Mantenga las aberturas de ventilación del recinto del cilindro libres y despejadas de escombros.
- Verifique visualmente la llama del quemador para ver si están funcionando correctamente (ver imagen en la pág.15, Encendido de la parrilla). Las arañas u otros insectos pueden hacer sus nidos en el quemador, causando un bloqueo del gas.
- Para asar con seguridad y obtener el mejor rendimiento de su parrilla, realice estas verificaciones antes de cada uso.
- Asegúrese de ajustar todos los accesorios (tuercas, pernos, tornillos, etc.) al menos dos veces al año.



PRECAUCIÓN: Algunas partes pueden contener bordes filosos. Use guantes de protección e ser necesario.



- Retire las rejillas de cocción, las placas de distribución del calor y los quemadores de dentro de su parrilla. Use un cepillo con detergente y agua caliente para retirar el exceso de residuos. NUNCA use un limpiador de hornos comercial. Enjuague completamente con agua. Seque con una toalla y reemplace todos los componentes como se describe en las instrucciones de ensamblaje.

ENSAMBLAJE / MANTENIMIENTO DEL QUEMADOR:

- Aunque sus quemadores están contruidos de acero inoxidable, pueden corroerse como resultado del calor extremo y los ácidos de los alimentos que se cocinan en ellos. Inspeccione con regularidad los quemadores en busca de fisuras, orificios anormales y otras señales de daños de corrosión. Si los encuentra, reemplace el quemador.
- NO bloquee las áreas de ventilación de los costados o de la parte posterior de la parrilla. El tubo del quemador puede bloquearse debido a arañas y otros insectos que construyen allí sus nidos. Los tubos del quemador bloqueados pueden evitar que el flujo de gas hacia los quemadores, lo que podría provocar fuego en los tubos del quemador o fuego debajo de la parrilla.
- Siga estas instrucciones para limpiar el ensamblaje del quemador y/o reemplazar piezas del ensamblaje del quemador o si está teniendo dificultades para encender la parrilla.
 1. Apague el gas mediante la perilla de control del regulador.
 2. Retire las rejilla de cocción y la cubierta de calor.
 3. Retire el tornillo que fija los quemadores a la parte posterior de la parrilla.
 4. Incline cuidadosamente el quemador hacia arriba y deslícelo hacia atrás del orificio de la válvula, luego levántelo de la parrilla.
 5. Limpie la cara del orificio.
 6. Use un cepillo de alambre para limpiar toda la superficie externa del quemador para retirar la suciedad y los residuos de alimentos.
 7. Verifique el quemador en busca de daños, si hay fisuras u orificios, reemplácelo.
 8. Instale el quemador en la parrilla. IMPORTANTE: El quemador debe poder deslizarse sobre la boquilla desde el regulador.
 9. Repita los pasos.
 10. Reemplace la cubierta de calor y las rejillas de cocción.

Cuidado y mantenimiento

TRANSPORTE Y ALMACENAMIENTO:

ADVERTENCIA:

- Nunca mueva la parrilla cuando esté caliente o en uso.
- Asegúrese que la perilla de control del regulador esté en la posición de "OFF".
- NO almacene un cilindro de gas LP de repuesto (lleno o vacío) cerca de la parrilla.
- Nunca almacene líquidos inflamables o rociadores cerca de la parrilla.
- El almacenamiento de un artefacto de cocción a gas para exteriores en ambientes cerrados solo se permite si el cilindro está desconectado y retirado del artefacto de cocción a gas para exteriores.
- Los cilindros no deben almacenarse en un edificio o ambiente cerrado, incluyendo garajes y cobertizos.
- Los cilindros deben mantenerse lejos del alcance de los niños.

ANTES DE GUARDAR SU PARRILLA:

- Asegúrese que la válvula del regulador esté completamente cerrada.
- Limpie todas las superficies. Cubra ligeramente el quemador con aceite de cocina para evitar una excesiva oxidación.
- Si guarda la parrilla en interiores, desconecte el cilindro de LP y déjelo al EXTERIOR.
- Coloque una cubierta para la tapa protectora en el cilindro de LP y guarde el cilindro en exteriores en un área bien ventilada, fuera de la luz solar directa.
- Verifique y limpie el quemador antes de usarlo y después de guardarlo, al inicio de la temporada de las barbacoas o después de un período de no haber sido utilizado. A las arañas e insectos les gusta construir sus nidos en los tubos del quemador (especialmente durante los meses más fríos). Los tubos del quemador bloqueados pueden evitar que el flujo de gas hacia los quemadores, lo que podría provocar fuego en los tubos del quemador o fuego debajo de la parrilla. Consulte "Limpieza y mantenimiento del quemador". (p.57)
- Si guarda la parrilla al exterior, cúbrala con una cubierta para parrillas, para protegerla del clima.

Detección y solución de problemas

Problema	Causa posible	Prevención / Solución
El quemador no se enciende	La perilla reguladora del cilindro de LP está en "off"	Asegúrese que el regulador esté fijado con seguridad al cilindro de LP gire el regulador del cilindro de LP a "Abierto"
	El cilindro de LP está bajo o vacío	Verifique si el cilindro de LP está vacío. Si está vacío, reemplácelo.
	Hay una fuga de gas del cilindro de LP	1. Gire el regulador del cilindro de LP a "OFF" 2. Espere 5 minutos para que el gas se disperse 3. Siga los pasos de la "Prueba contra fugas" de la página 15.
	Ajuste la conexión del regulador	Ver página 14.
	Obstrucción del flujo de gas	Limpie el venturi del quemador
	El quemador podría no estar bien asentado	Reinicie el quemador y la válvula. Consulte la página 18.
	Hay telarañas o nidos de insectos en el venturi	Limpie el ensamblaje del venturi y del quemador
	Los puertos del quemador están obstruidos o bloqueados	Limpie los puertos del venturi
	Cables o electrodo cubierto con residuos de la cocción	Limpie el alambre y/o electrodo con alcohol de frotación
	El electrodo y los quemadores están mojados	Séquelos con un paño
	El electrodo está fisurado/roto - chispeando	Reemplace el electrodo.
	El alambre está suelto o desconectado	Reconecte el alambre o reemplace el ensamblaje de electrodo/alambre
	El alambre se está cortocircuitando (echa chispas) entre la ignición y el electrodo	Reemplace el ensamblaje del alambre/electrodo del arrancador.
Arrancador malogrado	Reemplace el arrancador	
Calor bajo de la parrilla	Se agotó el gas	Reemplace el cilindro de LP
Patrón irregular de la llama	Los puertos del quemador están obstruidos/bloqueados El obturador de aire en el quemador necesita ajustes	Limpie los puertos del quemador Ver página 18.
La llama está amarilla o naranja	El nuevo quemador podría tener aceites residuales de la fabricación	Queme la parrilla por 15 minutos en "LIGHT" con la tapa cerrada
	Hay telarañas o nidos de insectos en el venturi	Limpie el ensamblaje del venturi y del quemador
	Hay residuos de alimentos, grasa, etc.	Limpie el ensamblaje del quemador
	Hay una mala alineación de la válvula al venturi del quemador El obturador de aire en el quemador necesita ajustes	Asegúrese que el venturi del quemador esté correctamente enganchado al vástago del regulador Hay un tornillo suelto en el venturi del quemador El obturador de aire debe estar entre 1/8"-1/4" para lograr la mezcla correcta de aire y gas

Garantía limitada por 1 año de Masterbuilt

Masterbuilt garantiza que sus productos no presentan defectos de fabricación, ni de material ni de la mano de obra, si se los ensambla correctamente, se los utiliza de forma normal y se los cuida según las recomendaciones, durante un período de 1 año a partir de la fecha de compra original. La garantía de Masterbuilt no cubre el acabado de la pintura ya que puede salirse durante el uso normal. La garantía de Masterbuilt no cubre la oxidación. Masterbuilt requiere el comprobante de compra para hacer un reclamo de la garantía, como por ejemplo, un recibo. Después de la fecha de vencimiento de la garantía, finalizarán todas las responsabilidades.

Durante el período de vigencia establecido de la garantía, Masterbuilt, a su criterio, reemplazará los componentes defectuosos sin costo alguno, debiendo hacerse responsable el propietario de los gastos de envío. Si Masterbuilt requiere la devolución del o los componentes en cuestión para su inspección, Masterbuilt será responsable de todos los cargos de envío para devolver el artículo solicitado. Esta garantía excluye los daños ocasionados a la propiedad por el mal uso, abuso, los accidentes, o los daños causados por el transporte.

Esta garantía expresa es la única garantía entregada por Masterbuilt y reemplaza a todas las demás garantías, expresas o implícitas, incluidas las garantías implícitas de comercialización o idoneidad para cualquier fin en particular. Ni Masterbuilt ni el establecimiento minorista que ofrece este producto, tienen autoridad alguna para otorgar garantías o prometer otros recursos que sean adicionales o inconsistentes con los establecidos previamente. La responsabilidad máxima de Masterbuilt, en todos los casos, no superará el precio de compra del producto que el cliente o comprador original pagó. Algunos estados no permiten la exclusión o limitación de daños accidentales o resultantes. En dicho caso, no se aplicarán las exclusiones o limitaciones anteriores.

Solo para residentes de California: A pesar de esta limitación de garantía, se aplican las siguientes restricciones específicas; si el mantenimiento, la reparación o el reemplazo del producto no se puede realizar comercialmente, el establecimiento minorista que ofrece el producto o Masterbuilt devolverá el monto original de la compra del producto, menos el monto directamente atribuible al uso por parte del comprador original antes de informar su disconformidad. El propietario puede llevar el producto al establecimiento minorista que lo ofrece a fin de obtener la ejecución de cualquier obligación en virtud de esta garantía. Esta garantía expresa le otorga derechos legales específicos, y es posible que también tenga otros derechos que varían de un estado a otro.

Visite masterbuilt.com o llene el formulario a continuación y devuélvalo a:
A la atención de: Registro de garantía
Masterbuilt Manufacturing, LLC
1 Masterbuilt Court | Columbus, GA 31907

Nombre: _____ Dirección: _____

Ciudad: _____

Estado/Provincia: _____ Código postal: _____ Teléfono: _____

Dirección de e-mail: _____

*Número del modelo: _____ *Número de serie: _____

Fecha de compra: _____ - _____ - _____ Lugar de compra: _____

***Número de modelo y número de serie se encuentran en una etiqueta plateada en la parte trasera de la parrilla.**



MASTERBUILT®

Tenga por seguro, que estamos aquí para ayudarle.

Customer Service
Service à la clientèle
Servicio de atención al cliente

[masterbuilt.com/contact](https://www.masterbuilt.com/contact)

Masterbuilt Manufacturing, LLC
1 Masterbuilt Court | Columbus, GA | 31907

@masterbuilt



1-800-489-1581

[masterbuilt.com](https://www.masterbuilt.com)

