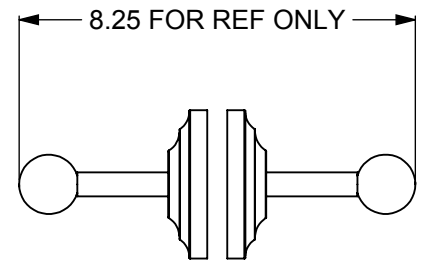
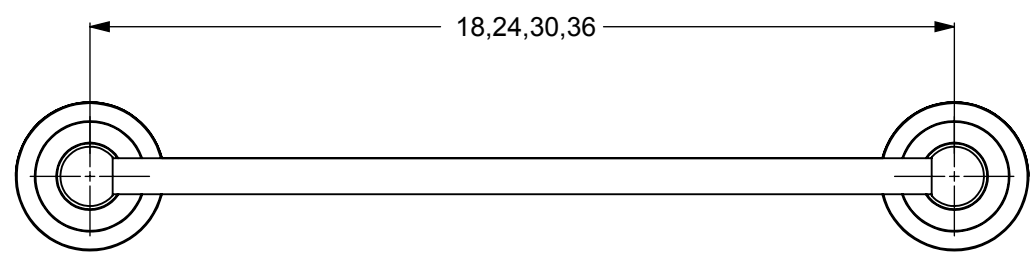
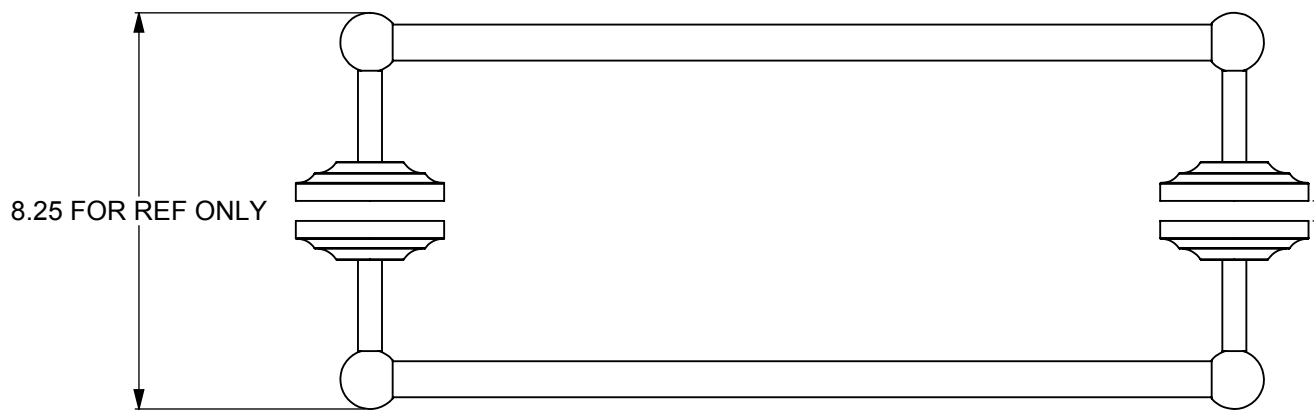
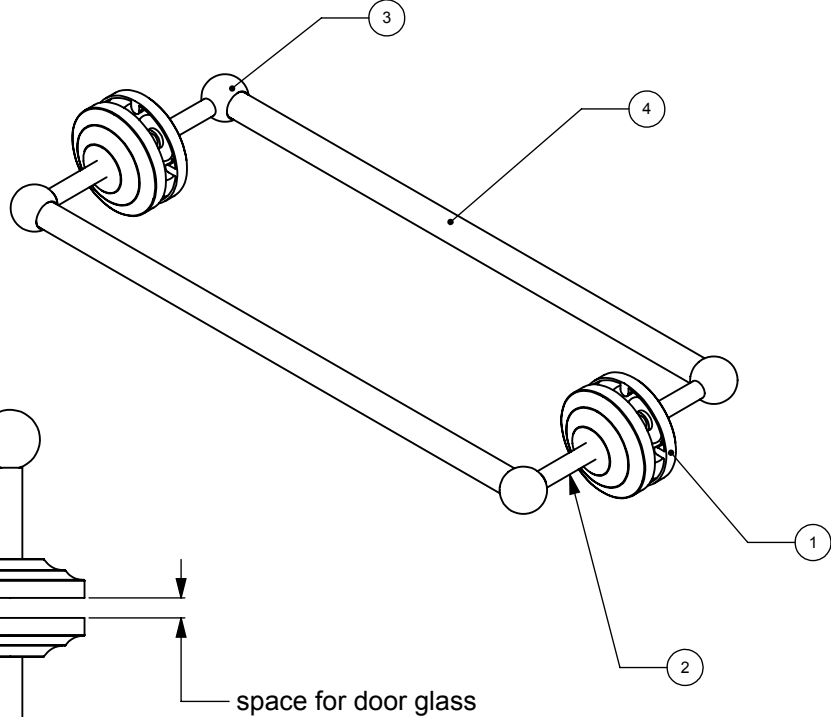


ITEM NO.	P/N	DESCRIPTION	QTY.
1	BPQN	BACKPLATE	4
2	TU12-2	Support	4
3	BL34ST-1.25	Lock	4
4	TU34-18,24,30,36	TUBE	2

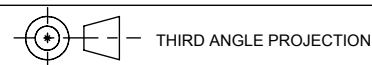


NOTES:  
1. UNIT IS IN INCHES.

UNLESS OTHERWISE STATED

.X	±.3mm
.XX	±.15mm
.XXX	±.008mm

COPYRIGHT © Allied Brass 2016



DRAWN	8/17/2016	I.M
CHECKED	8/17/2016	P.D
APPROVED	8/17/2016	R.A

MATERIAL: BRASS

DESCRIPTION: BACK TO BACK TOWEL BAR

FINISH	TBD
QUANTITY	TBD
DRAWING No.	REV
QN-41-BB	0
SCALE	1:4
SHEET: 01	A4