

Hann 52" Ceiling Fan

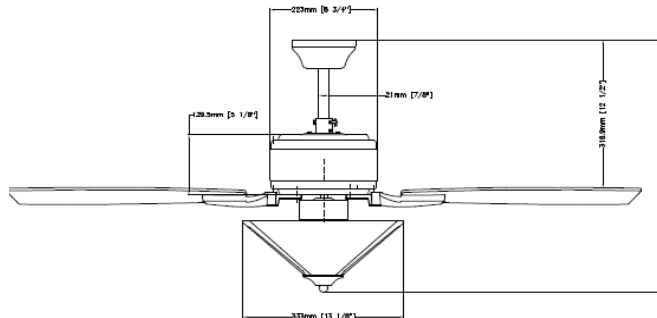


Specifications

Material Construction:	Steel
Motor Size:	153 x 12
Diameter:	52"
Downrod:	1/2" dia. X 6" Long
Mounting:	Tri-mount adaptable (downrod, close-to-ceiling & vaulted ceiling)
Blade Details:	5 blades; 10° pitch
Blade Color:	Reversible: Redwood/Light Maple
Speed Control:	3 speed pull chain control
Finish:	Brushed nickel
Voltage:	120V
Weight:	22.4 lbs.
Light Kit - Lens	Snow glass lens
Light Kit - Lamp Info	3 x 60W, candelabra-based incandescent lamps (inc
Limiter Included:	190W Limiter included; shuts down lights only - replace with bulbs less than 190W total
Airflow at High Speed:	4520 CFM
Electricity Usage:	57 Watts
Airflow Efficiency:	79 CFM/W



Dimensions



Warranty & Compliances

Warranty	10 Year Limited Warranty
UL	UL Listed

EPACT 2005 Fan is compliant with the Energy Policy Act 2005 and includes a device that limits the light kit wattage to 190W.

Order Codes

Hann 52" Ceiling Fan 154401

Type:

Job:

Order Code:

Approvals: