

## LG STUDIO

## LSWC307ST

1.7 / 4.7 cu. ft. STUDIO Smart wi-fi Enabled  
Combination Double Wall Oven



1.7 cu.ft TurboCook™ Speed Oven

Infrared Heating™

4.7 cu.ft True Convection Oven

Steam Cooking

EasyClean®

Self Clean

SmartThinQ® (with Innit and SideChef)

## AVAILABLE COLORS



STAINLESS STEEL



### Enjoy new ways to control your home with LG smart appliances

- Start or stop your Oven remotely
- Set your Monitor Status from your smartphone
- Works with the LG SmartThinQ® app

SmartThinQ®



| SUMMARY                                   |   | LOWER OVEN FEATURES              |   | SMART FEATURES                                    |                                 |
|---|---|----------------------------------|---|---|---------------------------------|
| Type                                      | Combi Wall Oven   | Capacity (cu.ft)                 | 4.7   | Wi-Fi Enabled                                     | Yes                             |
| Total Oven Capacity (cu. ft.)             | 6.4 (Upper & Lower)   | EasyClean®                       | Yes   | SmartThinQ®                                       | Yes                             |
| Color                                     | Stainless Steel   | Self Clean                       | Yes (3,4,5 hours)   | Works with  | Google Assistant & Amazon Alexa |
| UPPER OVEN FEATURES                       |   | Variable cleaning time           | Yes (3,4,5 hours)   | SmartDiagnosis™                                   | Yes                             |
| Capacity (cu.ft)                          | 1.7   | Variable broil                   | Yes (Full,Center / High,Med,Low)  | DIMENSIONS/CLEARANCES/WEIGHTS                     |                                 |
| Interior(Cavity) - Upper MWO / Lower Oven | Stainless / Enamel Coating  | Broil element                    | 2,500 watts inner / 1,500 watts outer   | Shipping Weight (lbs)                             | 253                             |
| Microwave Power output                    | 950W  | Bake element                     | 2,500 watts   | Product Weight (lbs)                              | 203                             |
| Microwave mode power consumption          | 1650W   | Bake element type                | Hidden (8 pass)   | Product (W x H x D)                               | 29-3/4" x 43 13/16" x 24-1/2"   |
| Convection Bake mode power consumption    | 1600W   | # of rack position               | 5   | Cut-out (W x H x D)                               | 28-1/2" x 43 7/16" x 23-1/2"    |
| Broil mode power consumption              | 1300W   | 12 hrs. shut-off                 | Yes   | Overall Depth (in) - including handle             | 26-7/8"                         |
| Convection Element (W)                    | 1500W (Sheath heater)   | - # of light                     | 2 (Halogen Lamp)  | Oven Interior Dimensions (Upper) (in) (W x H x D) | 20-8/11" x 8-9/25" x 17-5/13"   |
| Broil Upper Element (W)                   | 1200W (500W + 700W)   | Convection conversion            | Yes   | Oven Interior Dimensions (Lower) (in) (W x H x D) | 24-1/2" x 17-5/8" x 18-7/8"     |
| Broil Lower Element (W)                   | 375W  | Convection Element               | Yes (2,000 watts Sheath heater)   | Carton Dimensions (in) (W x H x D)                | 33" x 30" x 50"                 |
| Microwave                                 | Yes   | Convection Type                  | True Convection   | POWER/RATINGS                                     |                                 |
| Convection Bake                           | Yes   | Convection Fan                   | Single Speed  | Max. Amp load                                     | 40A                             |
| Broil                                     | Yes   | Oven Cooking mode                | Conv.Bake / Conv.Roast / Bake / Broil / Steam Bake / Steam Roast / Probe / More Mode (Favolite/ Warm/Proof) | Rating  | 7.8kW                           |
| Speed cook                                | Yes   | Oven Control Features            | Glass Touch   | Requirements                                      | 120 / 240 VAC, 120 / 208 VAC    |
| - # of Defrost (4 Menu)                   | Meat / Poultry / Fish / Bread Beverage / Casserole / Chicken / Pasta / Pizza / Plate of food / Rice / Soup / Vegetable  | Door Lock                        | Yes   | ACCESSORIES                                       |                                 |
| - # of Sensor cook (9Menu)                | Bacon(regular sliced) / Bagels(frozen) / Baked potatoes(7-9oz/ea) / Brownie / Cod fillets(1 lb) / Corn dog(frozen) / Fresh vegetable / Frozen chicken wings / Frozen fries / Frozen chicken nuggets / Frozen pizza(regular crust) / Frozen soft pretzels / Frozen vegetable / Garlic bread(sliced, frozen) / Hamburger(1/2" thick) / Lamb chops(1/2" thick, 6-7oz) / Meat loaf(9" X 5") / Nachos / Oatmeal / Pork chops(1/2" thick, 6-7oz) / Quinoa / Ribeye steak(1" thick 14-15oz) / Rice / Salmon steak(1" thick) / Sausage / Sirloin steak(1" thick, 18-21oz) / Tenderloin / Vegetable-canned | CONTROL                          |   | Glass Tray(Upper)                                 | Yes                             |
| - # of Auto cook (28Menu)                 |   | Oven Control Type                | Glass Touch   | Metal Tray(Upper)                                 | Yes                             |
| - # of Soften (4Menu)                     | Butter / Cream Cheese / Frosting / Ice Cream  | Display                          | White VFD   | Rack(Upper)                                       | Yes                             |
| - # of Melt (5Menu)                       | Butter / Caramel / Cheese / Chocolate / Marshmallow   | Language                         | English / Spanish / French  | Broiler pan & Grid                                | Yes                             |
|   |   | Smart Function                   | Wi-Fi / Smart Buzzer  | Gliding Rack                                      | 2                               |
|   |   | Clock                            | 12 hr or 24 hr (option)   | Heavy Duty Rack                                   | 1                               |
|   |   | Kitchen Timer                    | Yes   | Temp probe  | Yes                             |
|   |   | Timed Cook                       | Yes   | Scouring Pad                                      | Yes                             |
|   |   | Temperature Unit of Measure      | Fahrenheit / Celsius  | LIMITED WARRANTY                                  |                                 |
|   |   | Cooking Complete Reminder Volume | Beeper (1.Loud, 2.Low, 3.Mute)  | Parts & Labor                                     | 2 Years                         |
|   |   | Certified Sabbath mode           | Yes   | UPC CODES   |                                 |
|   |   | APPEARANCE                       |   | LSWC307ST (Stainless Steel)                       | 048231341226                    |
|   |   | Available Colors                 | Stainless Steel   |   |                                 |
|   |   | Handle/Knobs                     | STS Finish(AL)/-  |   |                                 |
|   |   | Oven Door Feature                | WideView™ Window  |   |                                 |
|   |   | Scratch-Resistant                | Yes   |   |                                 |
|   |   | Fingerprint Resistant            | Yes   |   |                                 |

# LSWC307ST

1.7 / 4.7 cu. ft. STUDIO Smart wi-fi Enabled  
Combination Double Wall Oven



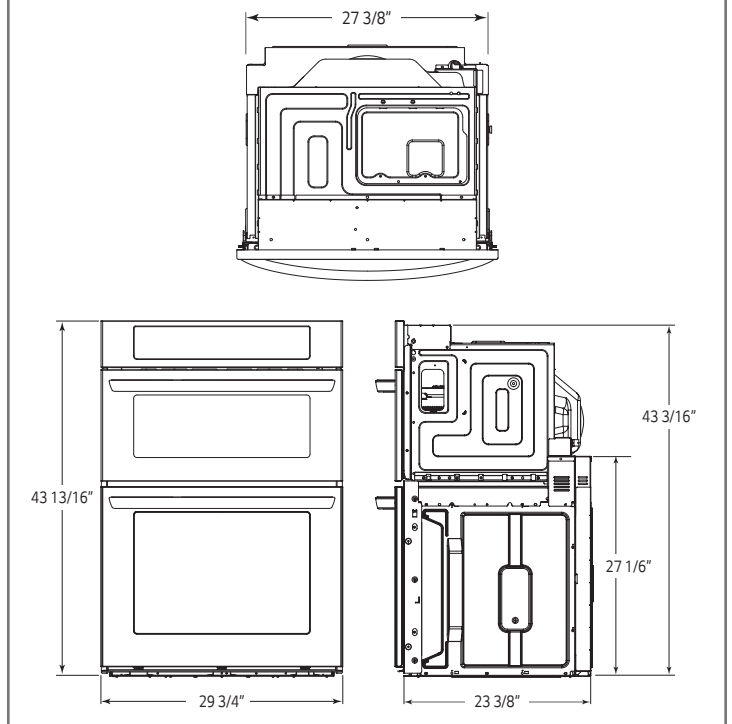
## QUICK INSTALL & CLEARANCES

**For full installation directions/clearances please refer to the corresponding User Manual and Installation Guide.**

The first step of the installation is measure the current cutout dimensions and compare them to the cutout dimensions shown below. Little or no cabinet work may be necessary.

| DIMENSIONS/CLEARANCES                             |                               |
|---|-------------------------------|
| Product (W x H x D)                               | 29-3/4" x 43-13/16" x 24-1/2" |
| Cut-out (W x H x D)                               | 28-1/2" x 43-7/16" x 23-1/2"  |
| Overall Depth (in) - including handle             | 26-7/8"                       |
| Oven Interior Dimensions (Upper) (in) (W x H x D) | 20-8/11" x 8-9/25" x 17-5/13" |
| Oven Interior Dimensions (Lower) (in) (W x H x D) | 24-1/2" x 17-5/8" x 18-7/8"   |
| Carton Dimensions (in) (W x H x D)                | 33" x 30" x 50"               |
| POWER/RATINGS                                     |                               |
| Max. Amp load                                     | 40A                           |
| Rating  | 7.8kW                         |
| Requirements                                      | 120 / 240 VAC, 120 / 208 VAC  |

### PRODUCT DIMENSIONS



### IMPORTANT NOTES

- The cabinet base platform must be able to support 203lbs. If the cabinet does not have a solid bottom, two braces or runners must be installed level with the bottom of the cutout to support the weight of the oven. Make sure the base is level and the front of the cabinet is square. If the cabinet base is not level, the oven glides will tend to slide out when opening the door.
- If marks, blemishes or the cutout opening are visible above the installed oven, it may be necessary to add wood shims under the runners and front trim until the marks or opening are covered.
- If the cabinet does not have a front frame and the sides are less than 3/4" thick, shim both sides equally to establish the cutout width.
- The junction box must be flush with the rear wall of the cabinet as shown below.
- Allow at least a 23" clearance for the door depth when it is open.
- Kitchen cabinets in contact with the oven must be heat resistant up to 194°F, and fronts of nearby units up to at least 158°F.

### CUTOUT DIMENSIONS

