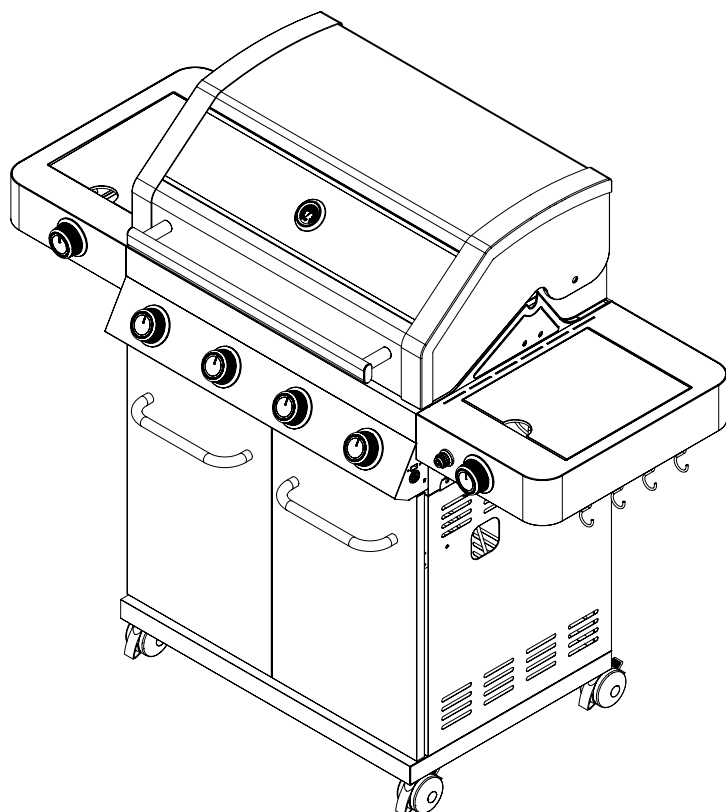


ASSEMBLY & OPERATING INSTRUCTIONS



Liquid Propane Gas Grill



- **Parts**
- **Assembly**
- **Safety Rules**
- **Use and Care**
- **Troubleshooting**



WARNING:

Read this Owner's manual carefully and be sure your gas grill is properly assembled, installed and maintained. Failure to follow these instructions could result in serious injury and/or property damage. This gas grill is intended for outdoor use only and is not intended to be installed in or on recreational vehicles or boats.

Note to Installer

Leave this Owner's Manual with the customer after delivery and/or installation.

Note to Consumer

Leave this Owner's Manual in a convenient place for future reference.

Customer Service Helpline:

For parts ordering, call:
1-888-980-4933

MFG No.: 35633

UPC No.:860448000396

Please make sure the cylinder valve connection device shall properly and safely mate with the connection device attached to the inlet of the pressure regulator.

Table of Contents

Warranty-----	2
Safety Precautions-----	2~4
Hardware List-----	5
Parts Diagram -----	6
Parts List-----	7
Assembly Instructions-----	8~18
Lighting Instructions-----	18~20
Cleaning and Maintenance-----	21~22
Troubleshooting-----	22
Cooking Instruction-----	23
Cooking Chart-----	24

Grill Warranty

One-Year Full Warranty on Grill

If this grill fails due to defective material or workmanship within one year from the date of purchase, call 1-888-980-4933 to arrange for a free repair (or replacement if repair proves impossible).

8-Year Limited Warranty on Stainless Steel Burners

For eight years from the date of purchase, any stainless steel burner that rusts through will be replaced free of charge. After the first year from the date of purchase, you pay for labor if you wish to have it installed.

All warranty coverage excludes ignitor batteries and grill part paint loss, discoloration or rusting, which are either expendable parts that can wear out from normal use within the warranty period, or are conditions that can be the result or normal use, accident or improper maintenance,

All warranty coverage is void if this grill is ever used for commercial or rental purposes.

All warranty coverage applies only if this grill is used in the United States.

This warranty gives you specific legal rights, and you may have other right which vary from state to state.

Safety Precautions

WARNING

Combustion by products produced when using this product contain chemicals known to the State of California to cause cancer, birth defects, or other reproductive harm.

WARNING

Failure to comply with these instructions could result in a fire or explosion that could cause serious bodily injury, death, or property damage.

WARNING

Your grill will get very hot. Never lean over the cooking area while using your grill. Do not touch cooking surfaces, grill housing, lid or any other grill parts while the grill is in operation, or until the gas grill has cooled down after use.

Failure to comply with these instructions may result in serious bodily injury.

WARNING

- 1. Do not store or use gasoline or other flammable liquids or vapors in the vicinity of this or any other appliance.**
- 2. An LP cylinder not connected for use shall not be stored in the vicinity of this or any other appliance.**

DANGER

If you smell gas:

- 1. Shut off gas to the appliance.**
- 2. Extinguish any open flame.**
- 3. Open lid.**
- 4. If odor continues, keep away from the appliance and immediately call your gas supplier or your fire department.**

Grill Installation Codes

The installation must conform with local codes or, in the absence of local codes, with either the national fuel gas code, ANSI Z 223.1/NFPA S4, Natural gas and propane installation code, CSA B149.1, or propane storage and handling code, B149.2, or the standard for Recreational vehicles, ANSI A 119.2, and CSA Z240 RV series recreational vehicle code, as applicable. LP gas grill models are designed for use with a standard 20 lb. Liquid Propane Gas tank, not included with grill. Never connect your gas grill to an LP gas tank that exceeds this capacity.

Safety Precautions

A tank of approximately 12 inches in diameter by 18-1/2 inches high is the maximum size LP gas tank to use. **You must use an OPD gas tank which offers an Overfill Prevention Device.**

This safety feature prevents the tank from being overfilled which can cause malfunction of the LP gas tank, regulator and/or grill.

The LP gas tank must be constructed and marked in accordance with specifications of the U.S. Dept. of Transportation (DOT). In Canada, the LP gas tank must meet the National Standard of Canada, Can CSA –B339, Cylinders, spheres and Tubes for Transportation of Dangerous Goods and Commission.

1. The LP gas tank must have a shutoff valve, terminating in an LP gas supply tank valve outlet, that is compatible with a Type 1 tank connection device. The LP gas tank must also have a safety relief device that has a direct connection with the vapor space of the tank.
2. Always keep LP gas tanks in an upright position. The tank supply system must be arranged for vapor withdraw.
3. The LP gas tank used must have a collar to protect the tank valve.

Proper Placement and Clearance of Grill

Never use your gas grill in a garage, porch, shed, breezeway or any other enclosed area. Your gas grill is to be used **outdoors only**, at least 24 inches from the back and side of any combustible surface. Your gas grill should not be used under overhead combustible construction. Do not obstruct the flow of ventilation air around the gas grill housing.

- Do not install this outdoor gas grill in or on recreational vehicles or boats
- Keep outdoor gas grill area clear and free from combustible materials, gasoline and other flammable vapors and liquids
- Do not obstruct the flow of combustion and ventilation air. Check for this each time prior to using grill.
- **Never** connect an unregulated LP gas tank to your gas grill. The gas regulator assembly supplied with your gas grill is adjusted to have an outlet pressure of 11" water column (W.C.) for connection to an LP gas tank.
- Only use the regulator and the hose assembly supplied with your gas grill. Replacement regulators and hose assemblies must be those specified in this manual.

- Have your LP gas tank filled by a reputable propane gas dealer and visually inspected and re-qualified at each filling.
- Do not store a spare LP gas tank under or
- Never fill the tank beyond 80 percent full. If this information is not followed exactly a fire causing death or serious injury may occur.
- Always keep LP gas tanks in an upright position.
- Do not store (or) or use gasoline or other flammable vapors and liquids in the vicinity of this gas grill.
- Do not subject the LP gas tank to excessive heat.
- Never store an LP gas tank indoors. If you store your gas grill in the garage or other indoor location, **always** disconnect the LP gas tank first and store it safely outside.



- Place dust cap on cylinder valve outlet whenever the cylinder is not in use. Only install the type of dust cap on the cylinder valve outlet that is provided with the cylinder valve. Other types of caps or plugs may result in leakage of propane.
- LP gas tanks must be stored outdoors in a well-ventilated area and out of reach of children. Disconnected LP gas tanks must not be stored in a building, garage or any other enclosed area.
- When your gas grill is not in use the gas must be turned off at the LP gas tank.
- The pressure regulator and hose assembly must be inspected before each use of the grill. If there is excessive abrasion or wear or if the hose is cut, it must be replaced prior to the grill being used again.
- Keep the gas regulator hose away from hot grill surfaces and dripping grease. Avoid unnecessary twisting of hose. Visually inspect the hose prior to each use for cuts, cracks, excessive wear or other damage. If the hose appears damaged do not use the gas grill. Call 1-888-980-4933 for assistance.
- **Never** light your gas grill with the lid closed or before checking to ensure the burner tubes are fully seated over the gas valve orifices.
- **Never** allow children to operate your grill.



WARNING

A strong gas smell, or the hissing sound of gas indicates a serious problem with your gas grill or the LP gas tank. Failure to immediately follow the steps listed below could result in a fire or explosion that could cause serious bodily injury, death, or property damage.

- Shut off gas supply to the gas grill.
- Turn the control knobs to OFF position.
- Put out any flame with a proper fire extinguisher.
- Open Grill Lid.
- Get away from the LP gas tank.
- Do not try to fix the problem yourself.
- If odor continues or you have a fire you can not extinguish, call your fire department. Do not call near the LP gas tank because your telephone is a form of electrical device and could create a spark resulting in fire and/or explosion.

NOTE: The normal flow of gas through the regulator and hose assembly can create a humming noise. A low volume of noise is perfectly normal and will not interfere with operation of the grill. If humming noise is loud and excessive you may need to purge air from the gas line or reset the regulator excess gas flow device. This purging procedure should be done every time a new LP gas tank is connected to your grill. For help with this procedure refer to page 14, Item 4 of "If Grill Still Fails To Light", or call the Customer Service Helpline 8 AM to 5 PM PST at: 1-888-980-4933.

CAUTION: Beware of Flash-Back

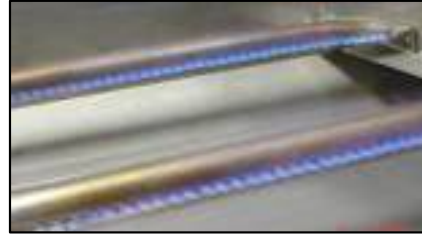
CAUTION: Spiders and small insects occasionally spin webs or make nests in the grill burner tubes during transit and warehousing. These webs can lead to gas flow obstruction which could result in a fire in and around burner tubes. This type of fire is known as "FLASH-BACK" and can cause serious damage to your grill and create an unsafe operating condition for the user.

Although an obstructed burner tube is not the only cause of "FLASH-BACK", it is the most common cause.

To reduce the chance of "FLASH-BACK", you must clean the burner tubes before assembling your grill, and at least once a month in late summer or early fall when spiders are most active. Also perform this burner tube cleaning procedure if your grill has not been used for an extended period of time.

See Cleaning Burner Tubes and Ports on page # 15

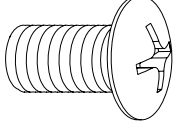
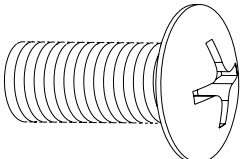
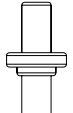

Burner Flame Check



Visually check the burner flames prior to each use. The flames should look like picture, if they do not, refer to the cleaning burner tubes and ports, see page 15 of this manual.

Contents for Hardware Pack

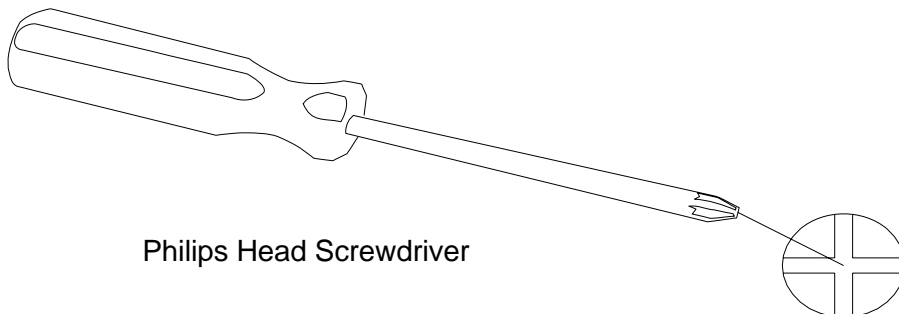
The following table illustrates a breakdown of the hardware pack. It highlights what components are used in the various stages of assembly.

A		5/32"x12mm	11 pcs
B		1/4"x15mm	12 pcs
C			2 pcs
D		1/4"	4 pcs

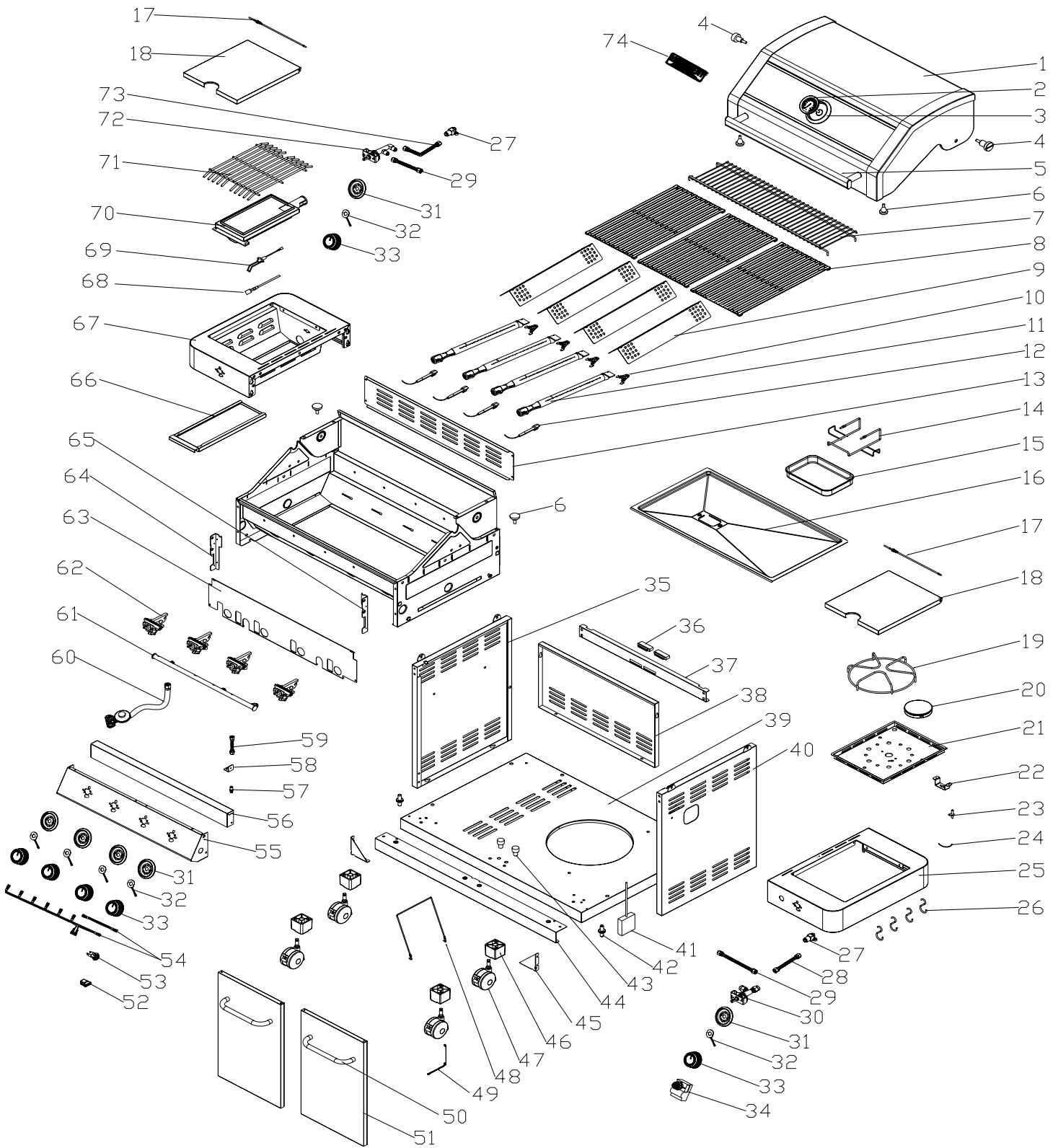
Tools required for assembly

Philips Head Screwdriver (not included).

Note: The left and right sides of the grill are on your left and right as you face the front of the grill.



Model 35633 Parts Diagram



Model 35633 Parts List

seq. NO.	appellation	qty	Material code	seq. NO.	appellation	qty	Material code
1	Main Lid	1	D010012906	39	Bottom Panel	1	D010012098
2	Temperature Gauge	1	A0212824	40	Side Panel, Right	1	D010012903
3	Temperature Gauge Seat	1	A0212967	41	Battery Box	1	A0212663
4	Main Lid Screw	2	A0407131	42	Spindle Below Door Panel	2	A0212557
5	Main Lid Handle	1	D010010251	43	Spacing Screw Below Door Panel	2	A02120079
6	Hood Buffer	4	A0201340	44	Cart Bottom Panel Front Cumberbund Strip	1	D010012063
7	Warming Rack	1	A0212856	45	Triangle Bracket, Left	2	D010012745
8	Cooking Grid With Hole	3	A0212804	46	Swivel Caster Fixing Plug	4	A0212805
9	Flame Tamer	4	D010012307	47	Swivel Caster	4	A0211004
10	Clamp Spring	4	A0212873	48	Gas-jar Fixing Line	1	A0212837
11	Main Burner	4	A0212926	49	Lighting Rod	1	A0212835
12	Main Burner Igniter Wire	4	D010013685	50	Door Handle	2	D010012747
13	Back Panel, Top	1	D010012737	51	Front Door	2	D010012094
14	Grease Box Bracket	1	A0212838	52	LED Lamp Seat-USB2.0	1	A02120032
15	Grease Box	1	D010012705	53	LED Lamp Switch	1	A0212627
16	Grease Tray	1	D010012072	54	LED Lamp Circuit	1	D010013687
17	Side Burner Lid Hinge Rod	2	A0212534	55	Main Control Panel	1	D010013688
18	Side Burner Lid	2	D010007598	56	Main Control Panel Frame	1	D010012108
19	Side Burner Cooking Grid, Right	1	A0212248	57	Gas Connector	1	A0212830
20	Side Burner, Right	1	A0212533	58	Gas Connector Fixing Panel	1	D010012298
21	Side Burner Tray	1	D011006420	59	Main Burner Flex Gas Line	1	A0212829
22	Side Burner Orifice Bracket	1	D019706920	60	Regulator, LP	1	A0212831
23	Side Burner Igniter, Right	1	A0212436	61	Main Manifold	1	A02120086
24	Side Burner Igniter Wire, Right	1	A02120084	62	Main Gas Valve	4	A0212862
25	Side Shelf, Right	1	D010013686	63	Front Baffle	1	D010012052
26	Hook	4	A0212538	64	Control Panel Fixing Panel, Left	1	D010012050
27	Side Burner Orifice	2	A0212828	65	Control Panel Fixing Panel, Right	1	D010012051
28	Side Burner Flex Gas Line, 250	1	A020021	66	Side Burner Grease Box	1	D010012440
29	Side Burner Flex Gas Line, 480	2	A02120090	67	Side Shelf, Left	1	D010013689
30	Side Burner Gas Valve, Right	1	A02120088	68	Side Burner Igniter Wire, Left	1	A0212891
31	Control Knob Base	6	D010012905	69	Side Burner Igniter, Left	1	A0212871
32	LED Lamp Panel	6	A0212777	70	Side Burner, Left	1	A0212872
33	Control Knob	6	A0212922	71	Side Burner Cooking Grid, Left	1	A0212875
34	Pulse Igniter Module	1	A0212864	72	Side Burner Gas Valve, Left	1	A02120089
35	Side Panel, Left	1	D010012742	73	Side Burner Flex Gas Line, 750	1	A020005
36	Door Magnet	2	A0201249	74	Logo	1	A0212808
37	Cart Frame, Front	1	D010012721		Manual	1	C042141
38	Back Panel, Bottom	1	D010012748		Hardware Pack	1	D010012753

For assembly questions, call:
1-888-980-4933

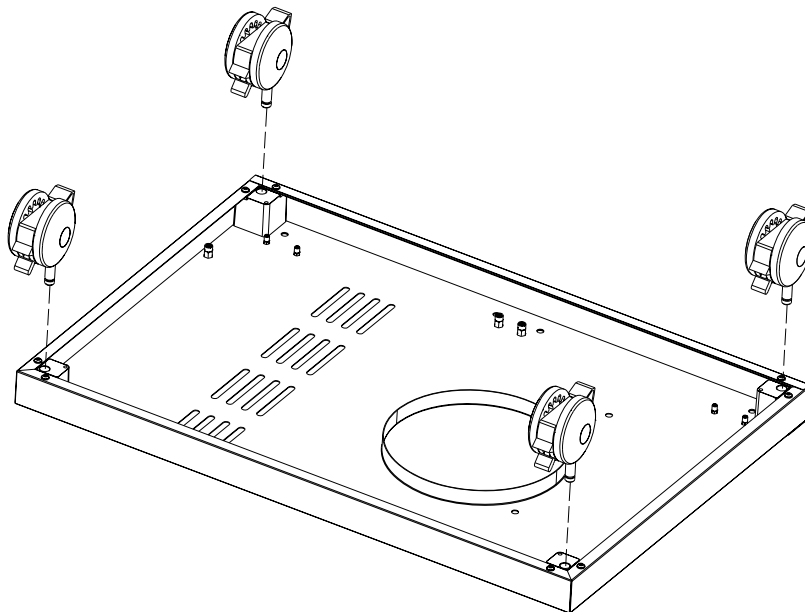
To make sure you obtain the correct replacement parts for your gas grill, please refer to the part numbers on this page.

Important: Keep this Owner's Manual for convenient reference and for part replacement.

Important: Use only parts listed above. When ordering parts, providing the following information:

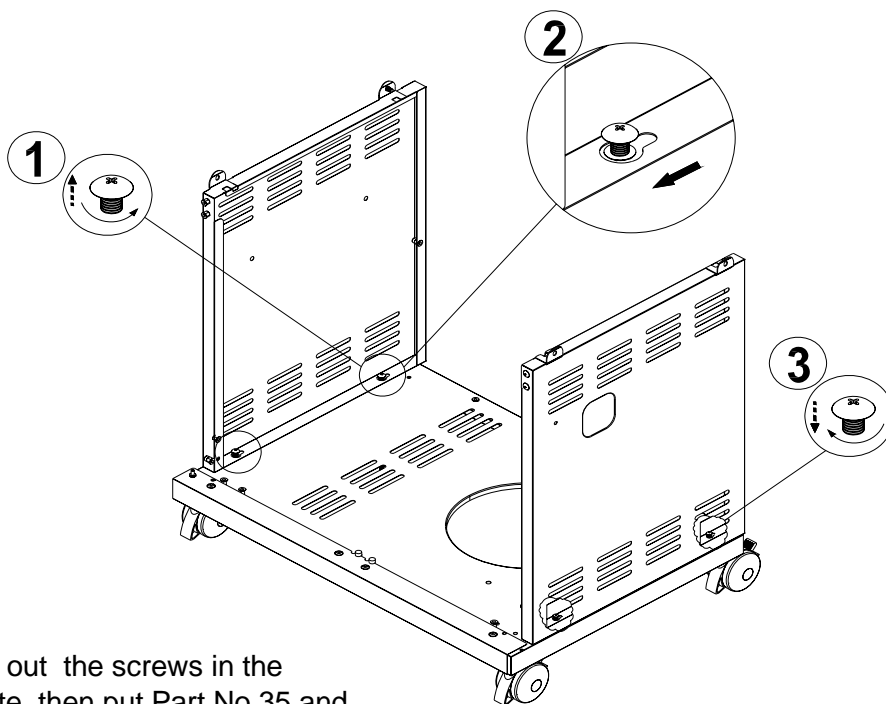
1. Model #
2. Part Number (see PART# in chart)
3. Part Description
4. Quantity of parts needed

Assembly Instructions



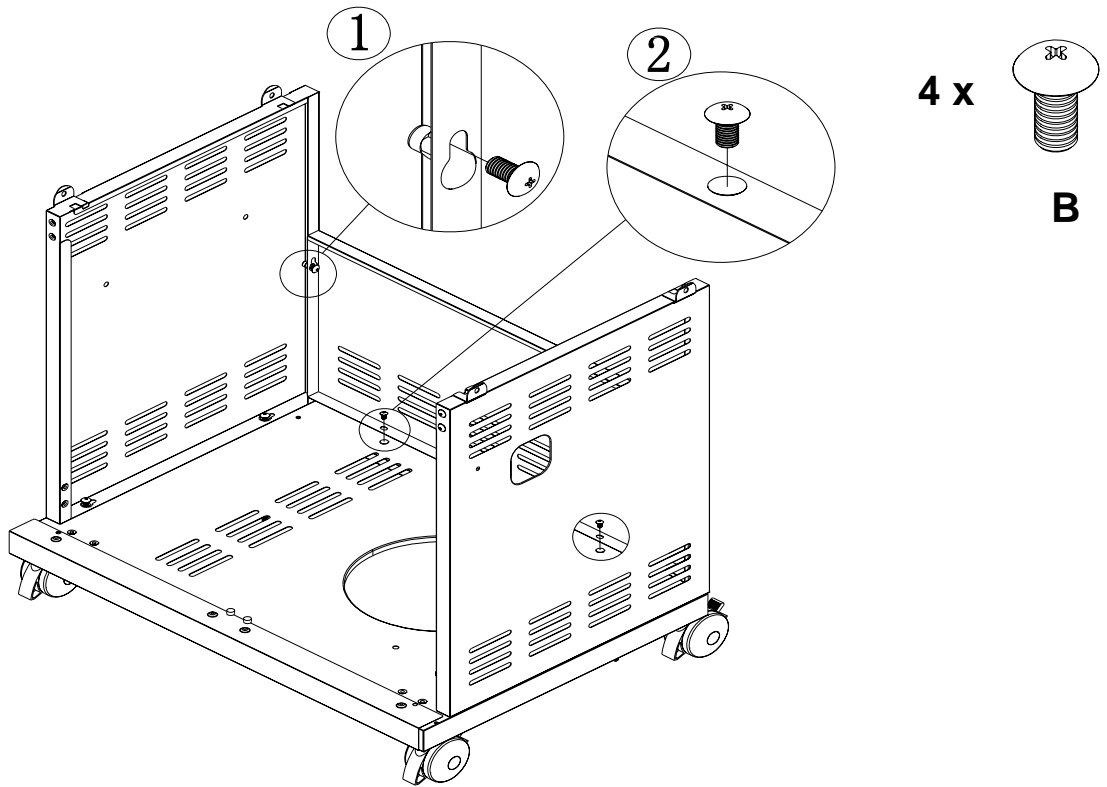
Please insert Part No.47 into the bottom plate.

Figure 1



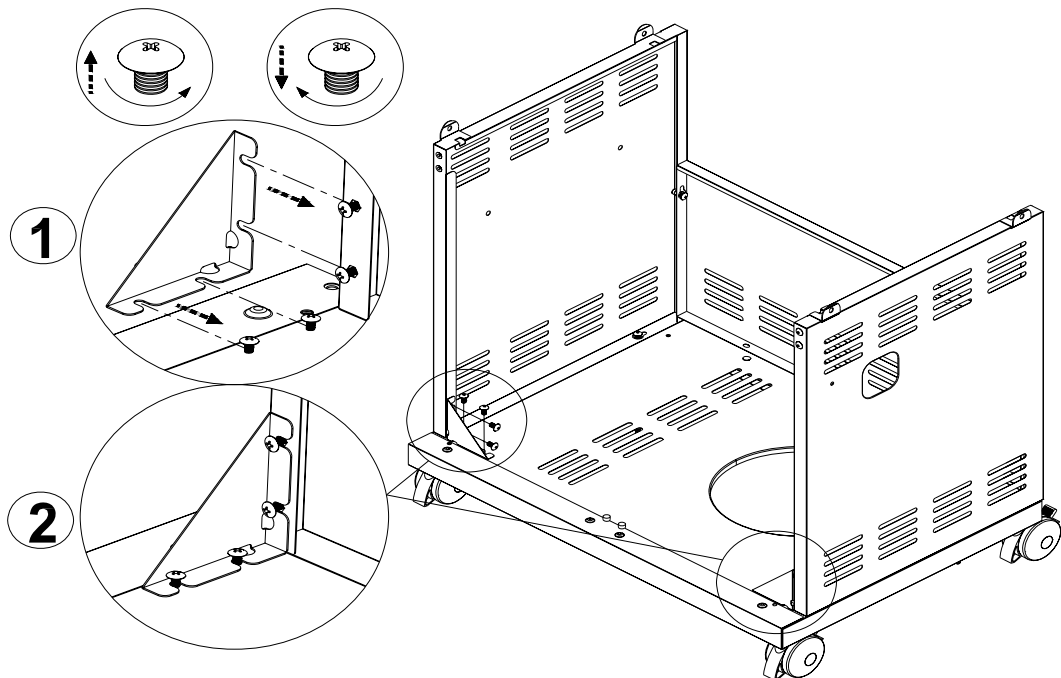
Half screw out the screws in the bottom plate, then put Part No.35 and Part No.40 onto the relevant screw holes and screw tightly.

Figure 2



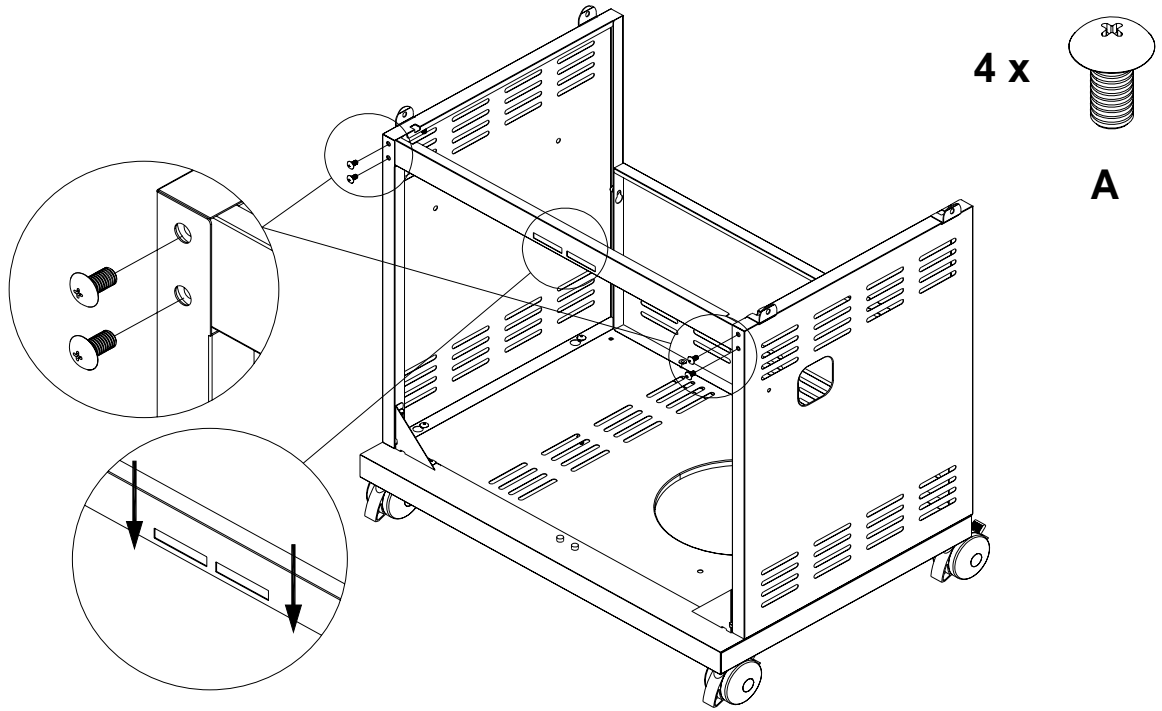
Install Part No.38 onto the relevant place with four B screws.

Figure 3



Half screw out the screws in the bottom and side plates, then put Part No.45 onto the relevant screw holes and screw tightly.

Figure 4



Install Part No.37 onto the relevant place with four A screws shown in Figure 5.
Attention: magnet downward.

Figure 5

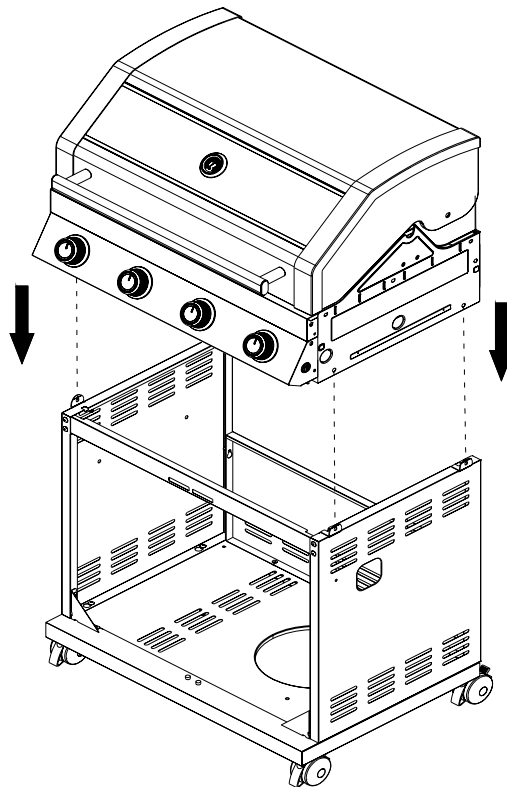
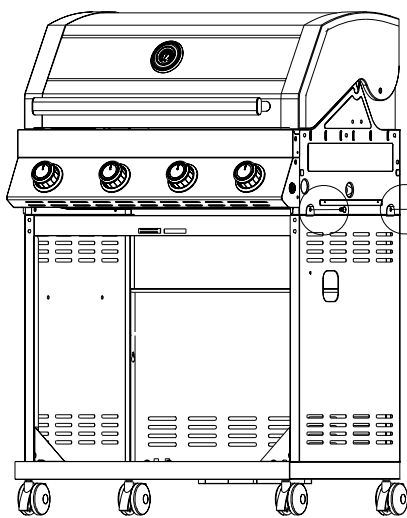
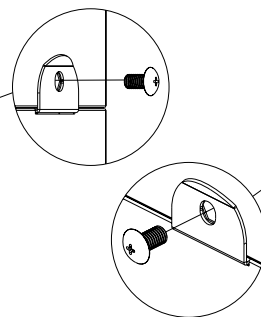


Figure 6

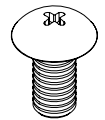


Screw the grill body and the cart tightly with four B screws. (Figure 7.1)

Figure 7.1

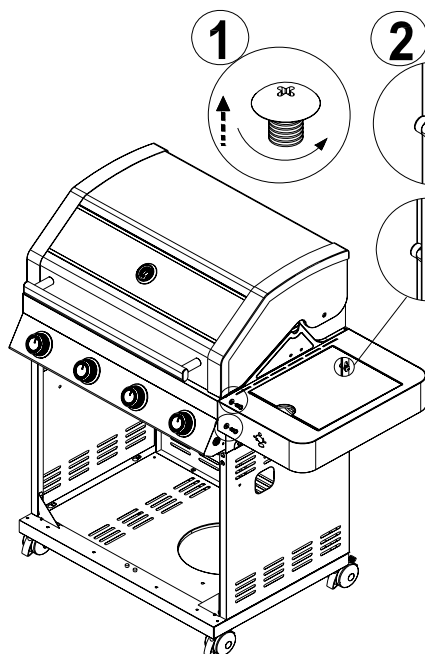


4 x



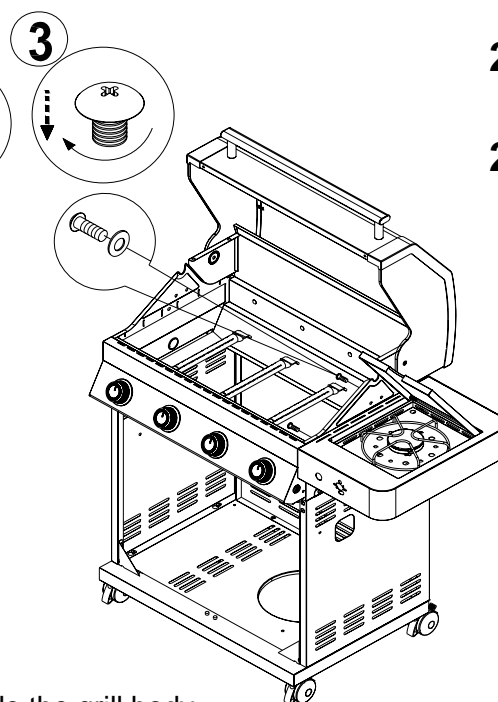
B

Figure 7.2

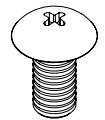


1. Half screw out the three big screws outside the grill body, then put Part No.25 onto the relevant screw holes and screw tightly.
2. Screw Part No.25 tightly with B screw and D spacer inside the grill body.

Figure 8.1



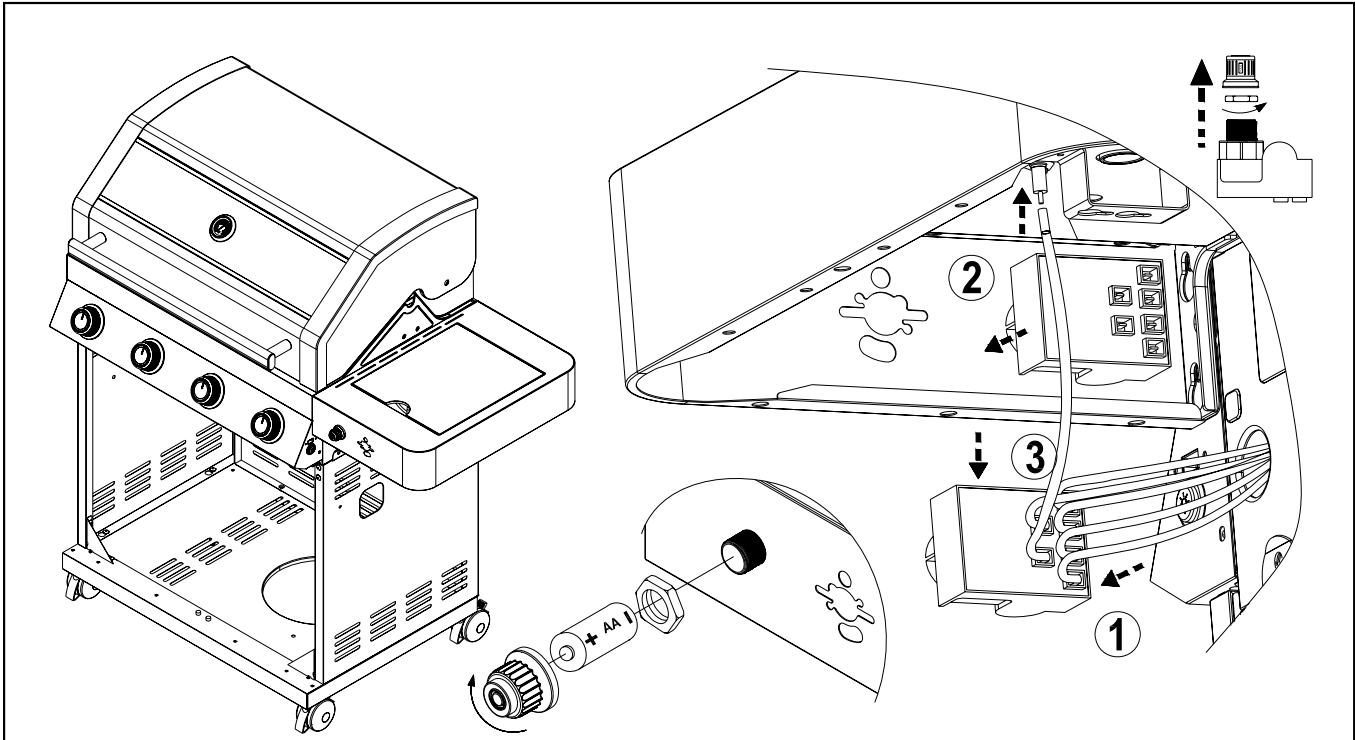
2 x B



2 x D

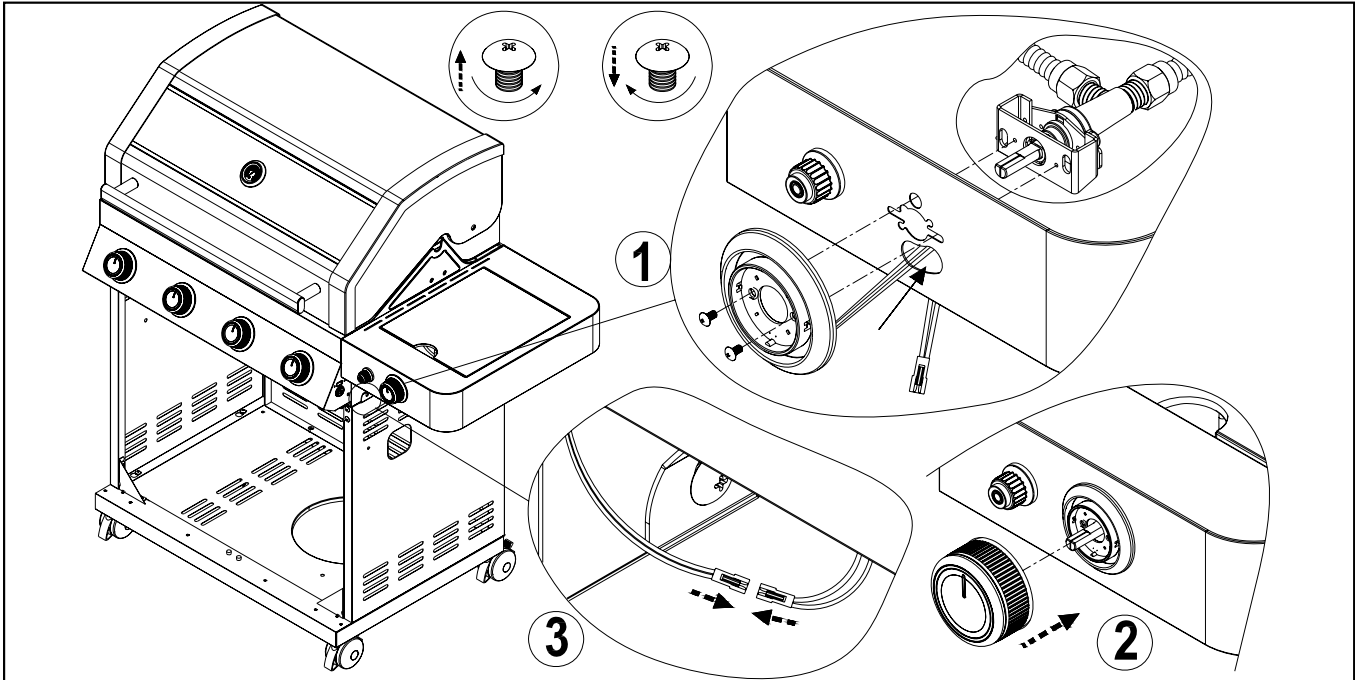


Figure 8.2



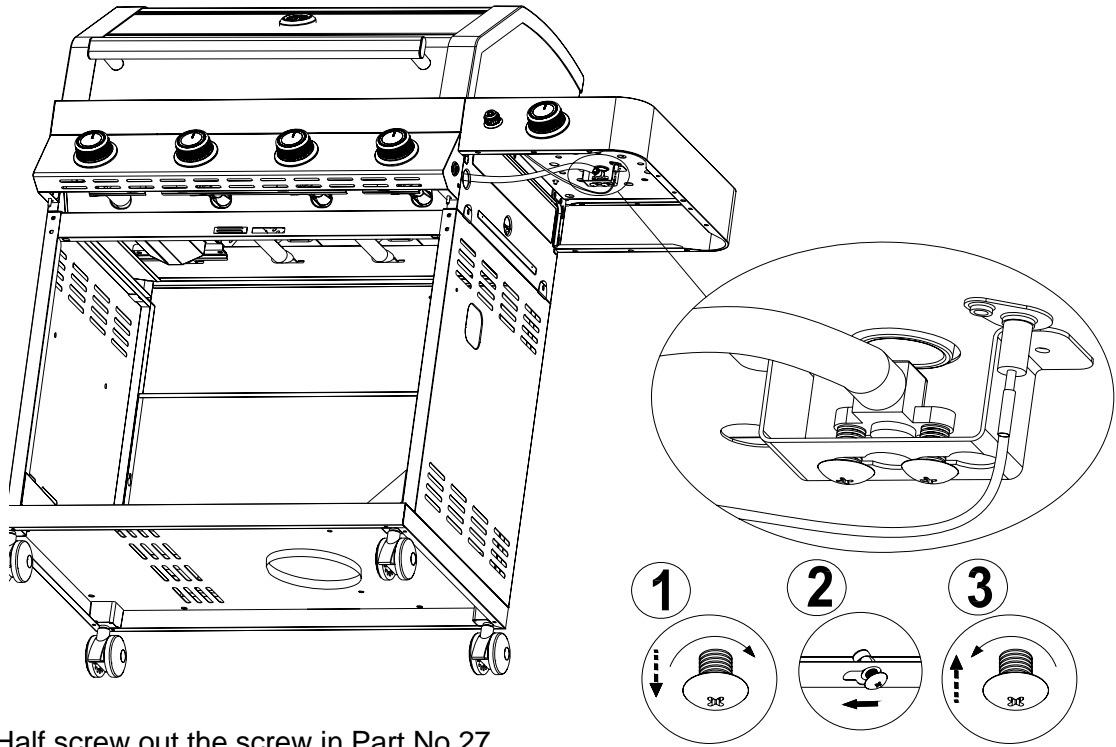
1. Insert the ignition wire into Part No.34.
2. Insert Part No.34 into Part No.25.
3. Insert the wire of Part No.23.

Figure 9



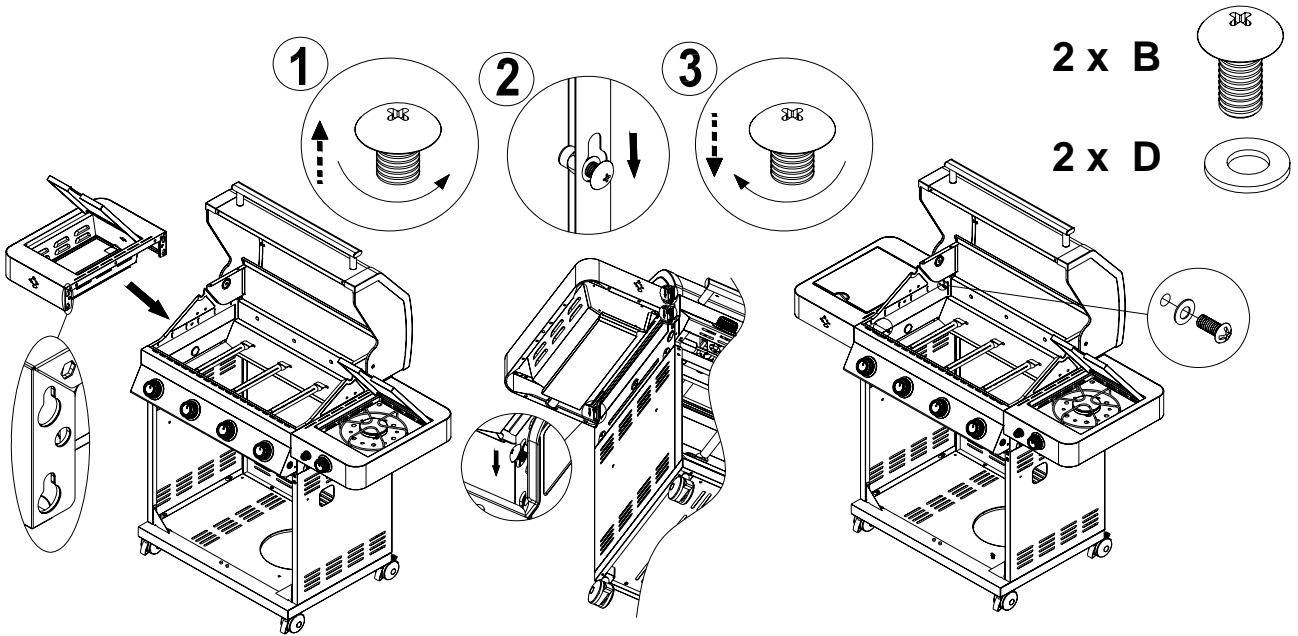
1. Insert Part No.30, Part No.31, Part No.32 and Part No.33 as the figure shows.
2. Insert the wire as the figure shows.

Figure 10



1. Half screw out the screw in Part No.27, then put it into the hole of Part No.22 and screw tightly.

Figure 11

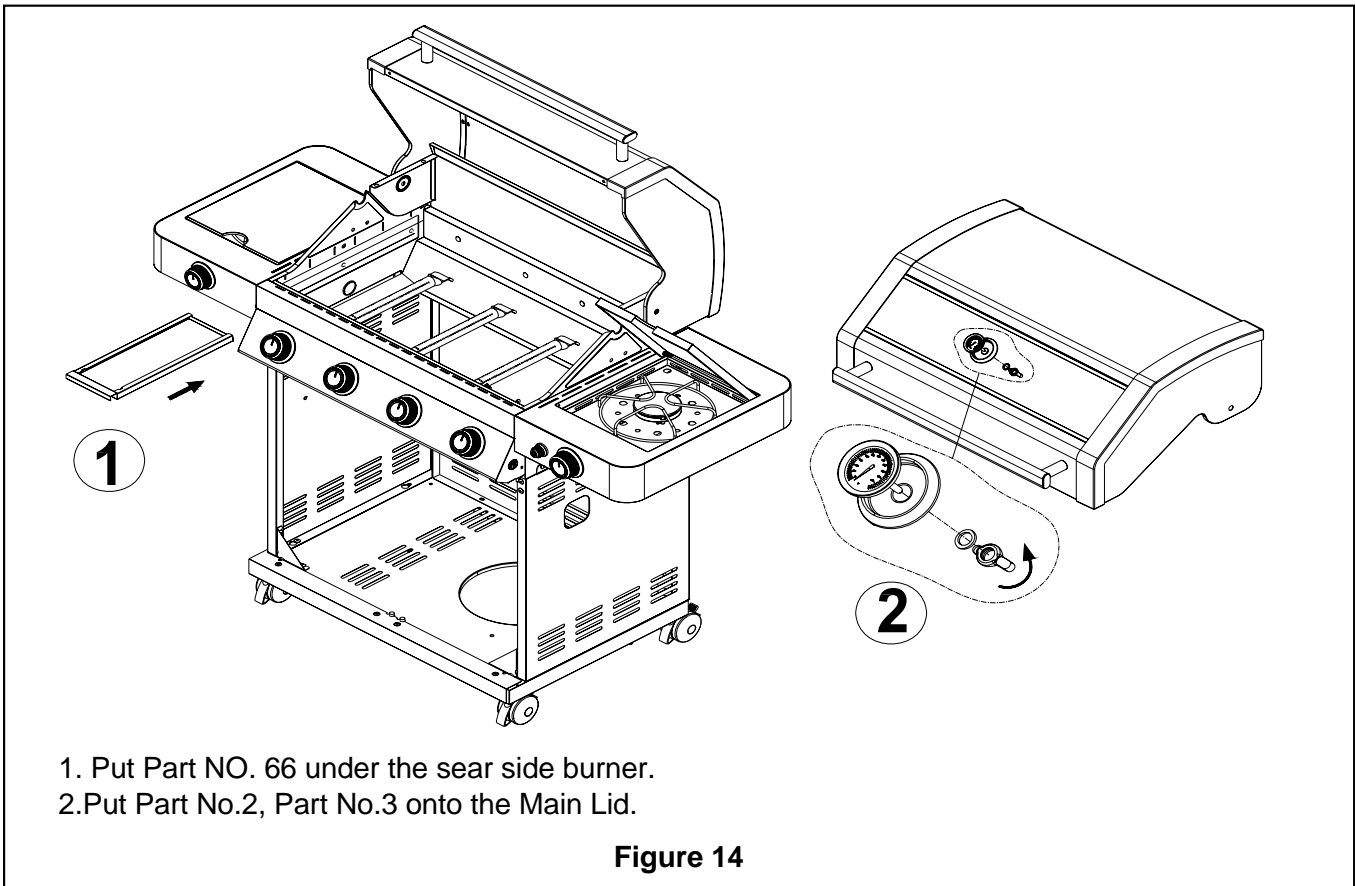
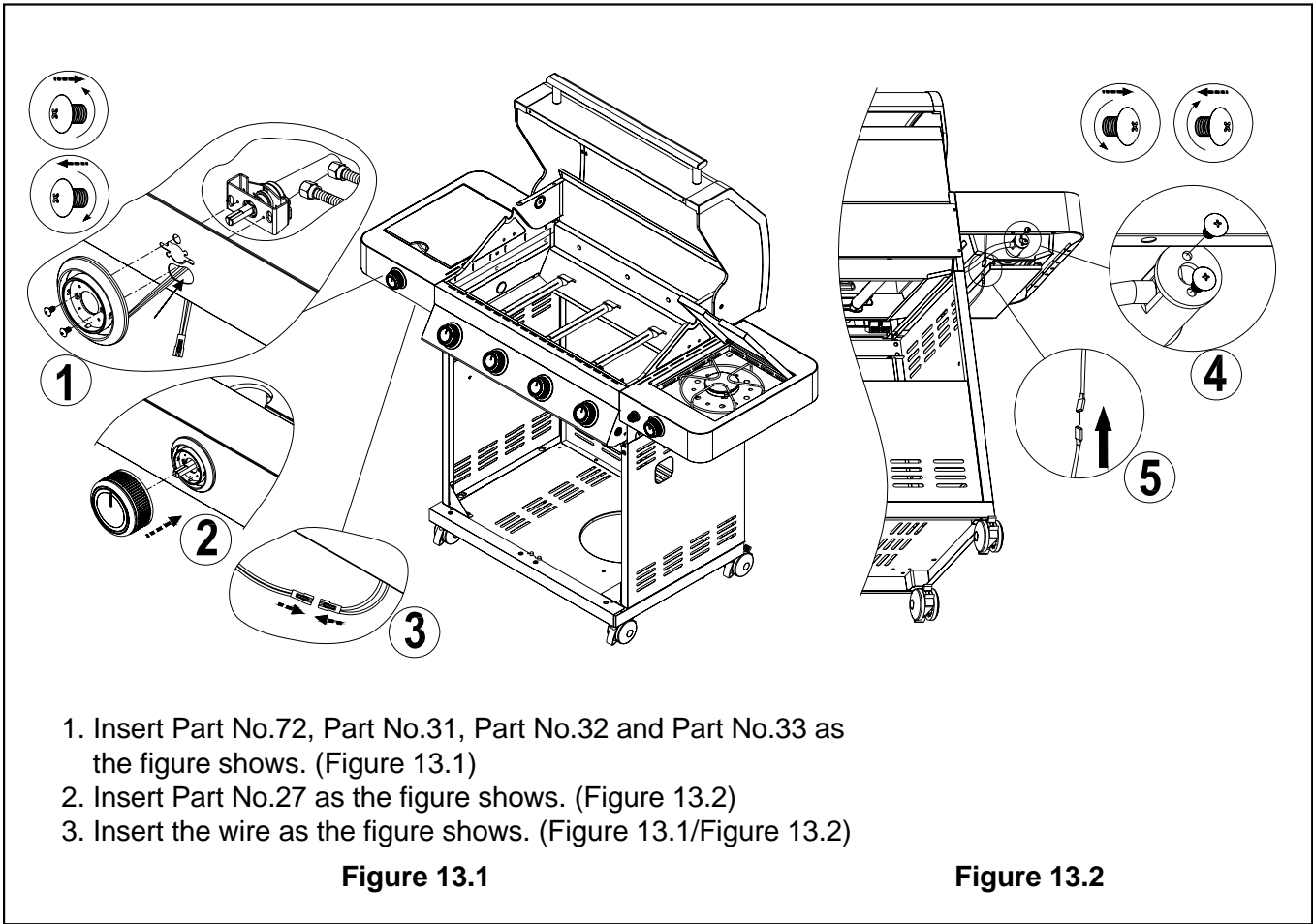


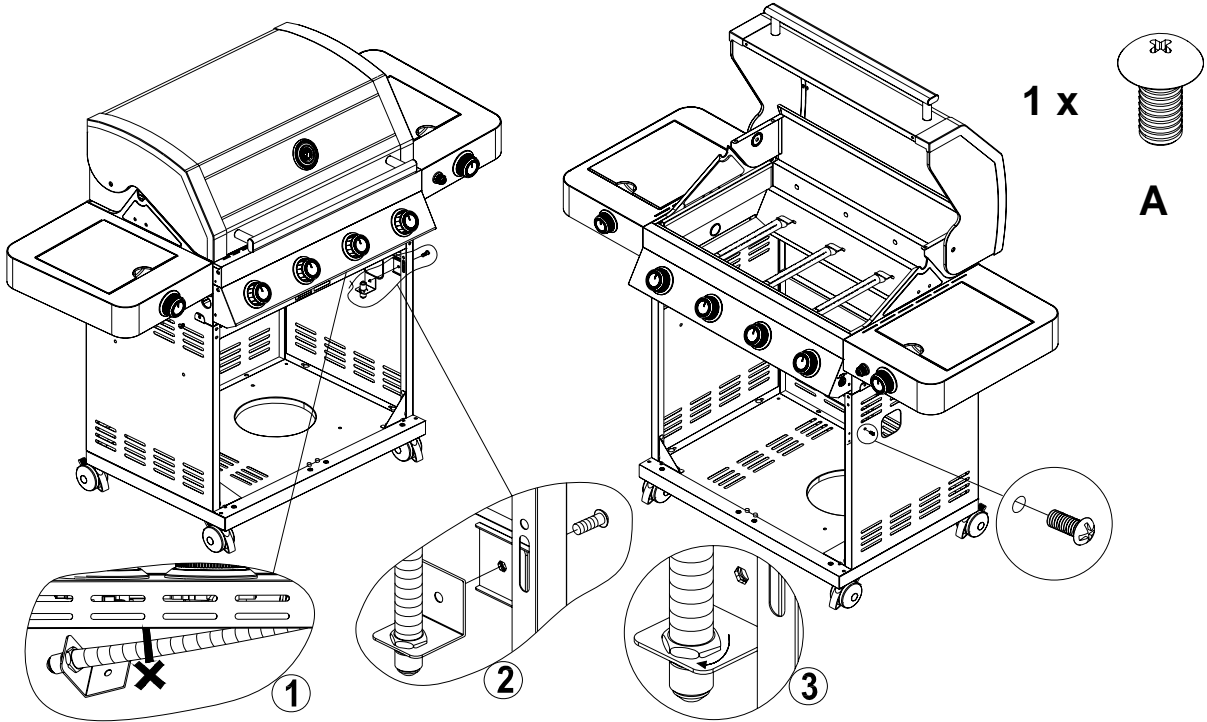
1. Half screw out the three big screws on the grill body, then put Part No.67 onto the relevant screw holes and screw tightly.
 2. Screw Part No.67 tightly with B screw and D spacer inside the grill body.

Figure 12.1

Figure 12.2

Figure 12.3

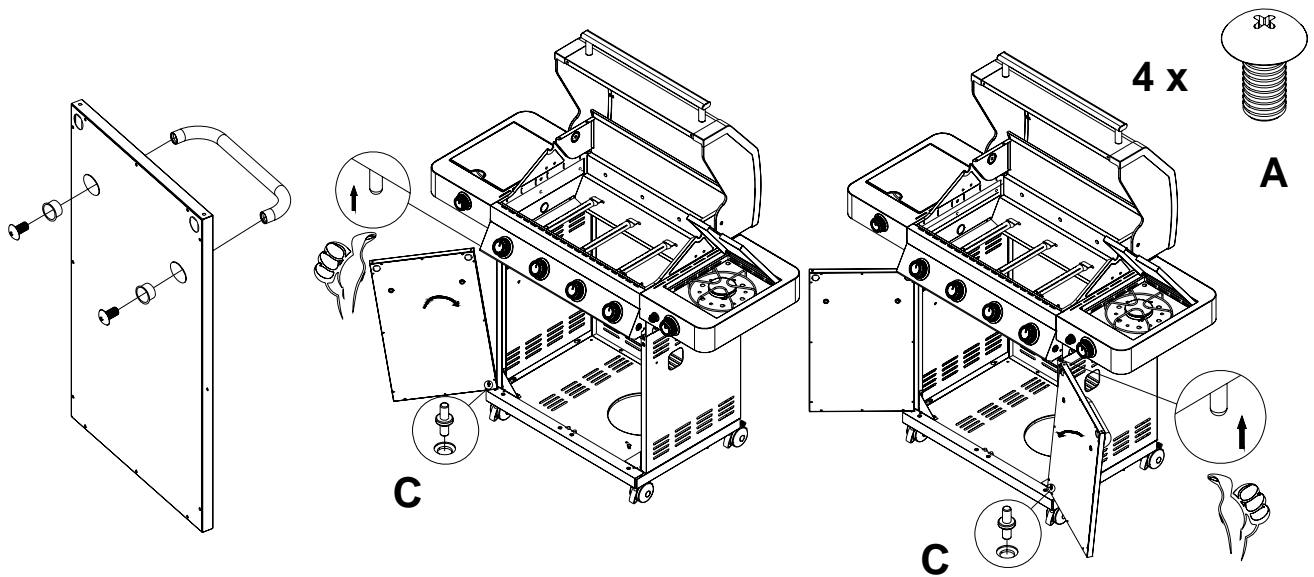




Fixed Part No.58 onto the right plate with one A screw.

Figure 15.1

Figure 15.2

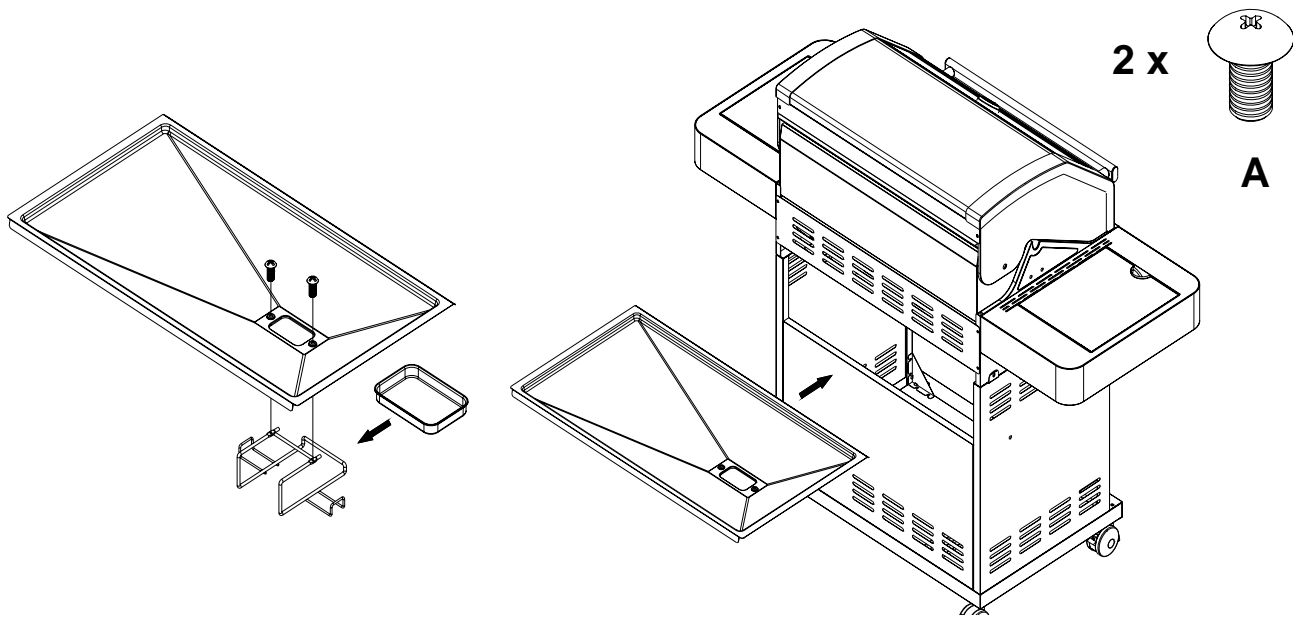


- 1.Install Part No. 50 onto Part No.51 with A screws. (Figure 16.1)
- 2.Put the C part into the relevant hole in the bottom plate. (Figure 16.2)
- 3.Put Part No.51 into the C part. (Figure 16.2)
- 4.Then put the door into by pressing the flexible axis upward.

Figure 16.1

Figure 16.2

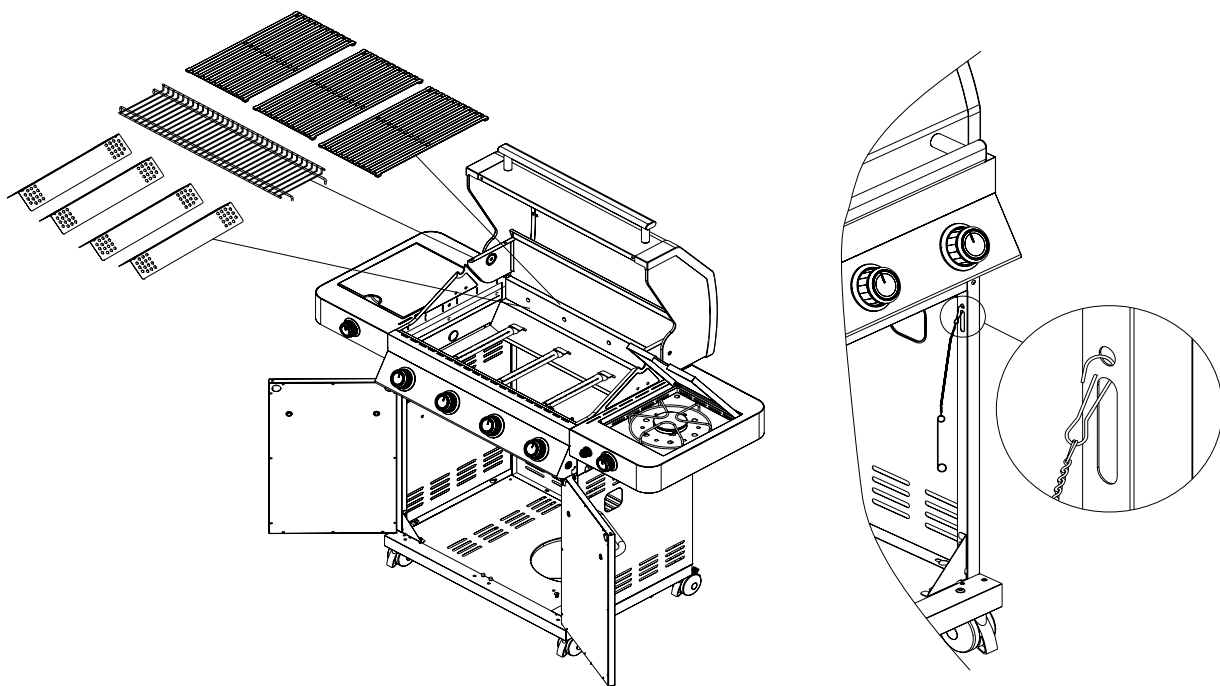
Figure 16.3



1. Install Part No.14 onto Part No.16 with two A screws(Figure17.1)
2. Put Part No.15 into Part No.14.(Figure17.1)
3. Put the grease tray into the grill body.(Figure17.2)

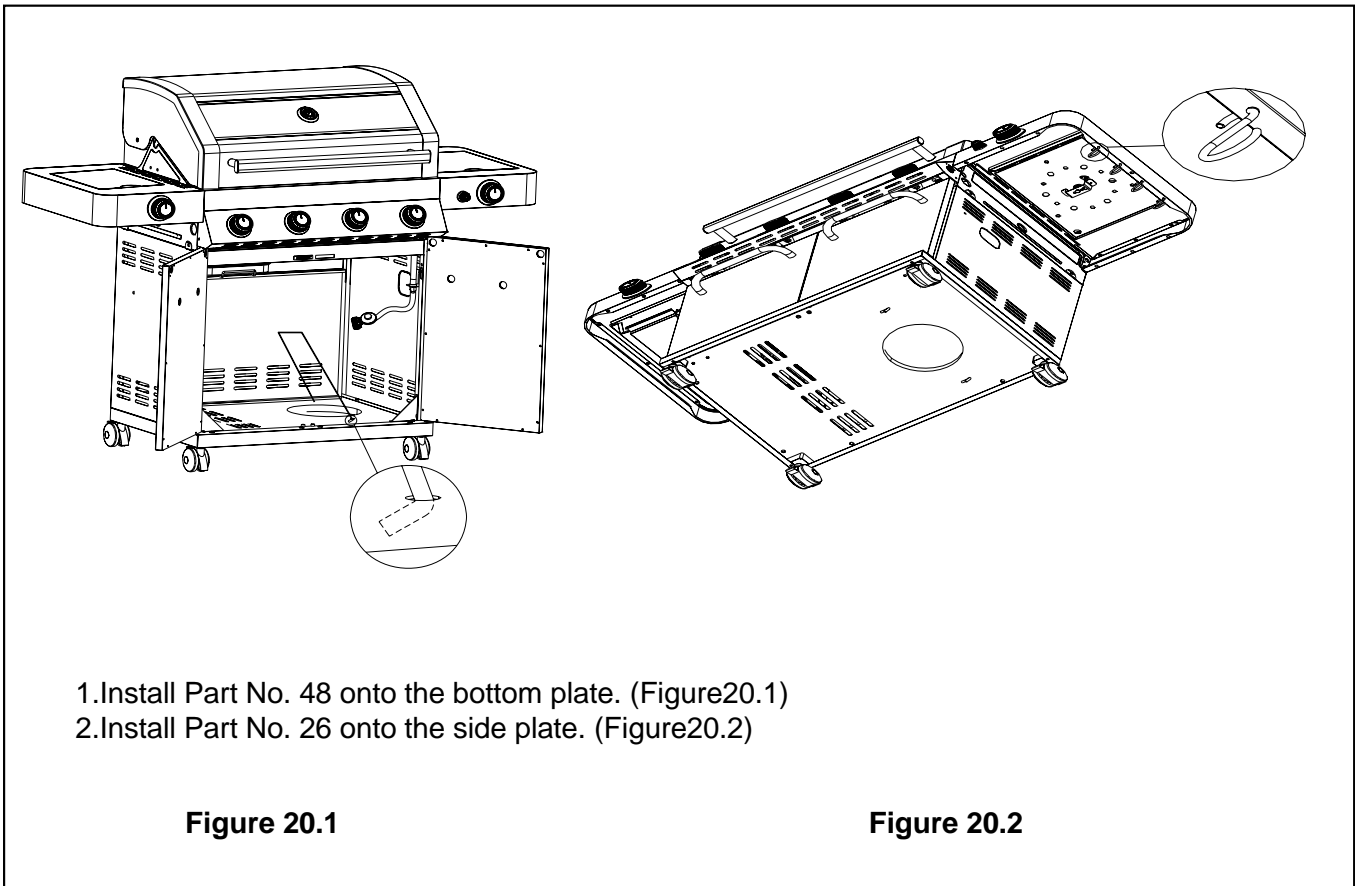
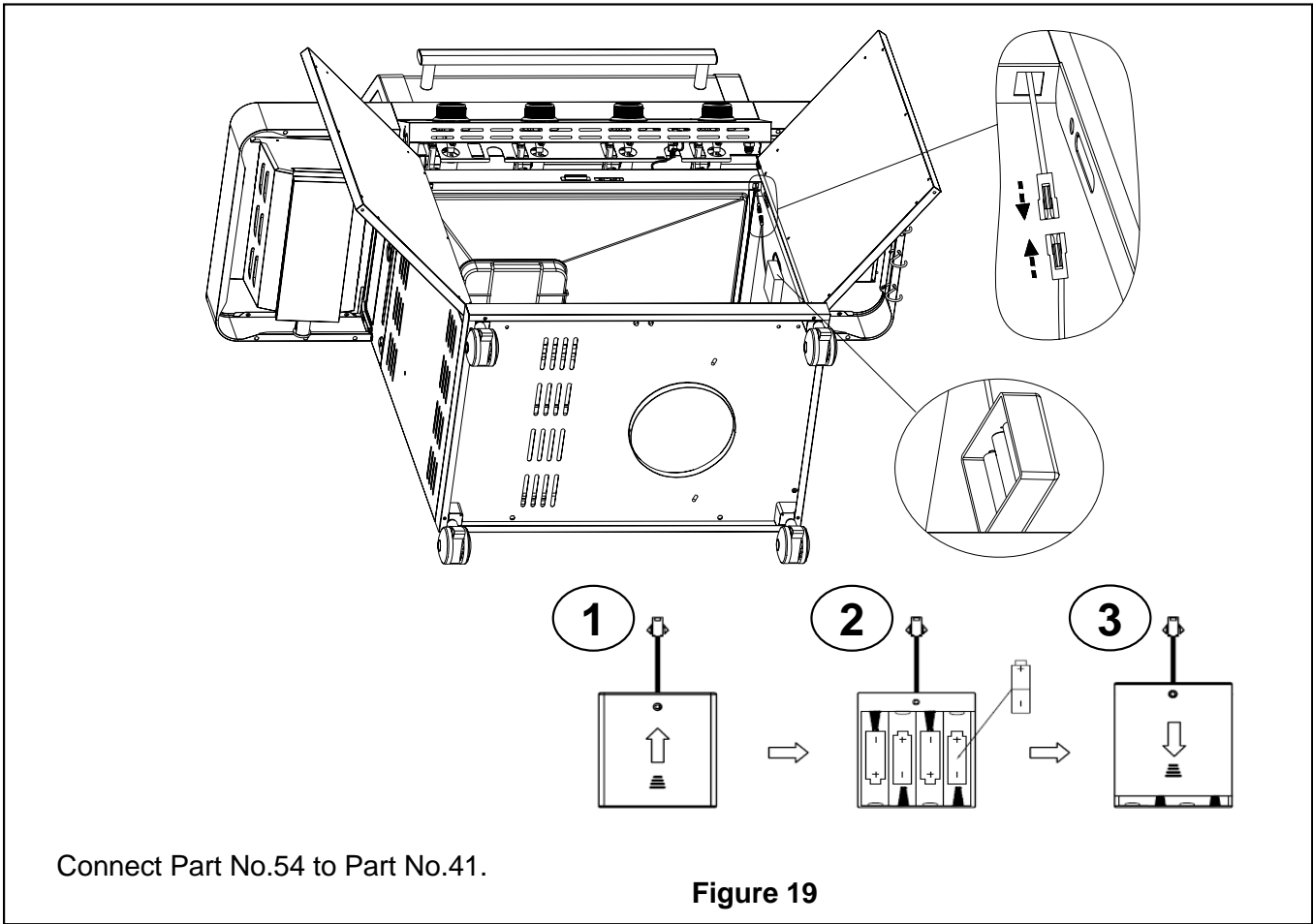
Figure 17.1

Figure 17.2



Put Part No. 7, Part No. 8 , Part No. 9 and Part No. 49 into the relevant place.

Figure 18



Connecting LP Gas Tank to LP Grill

1. Place foot ring of 20 lb tank into the hole in bottom panel. Make sure the tank valve is in OFF position. (Fig.22).
2. Check the tank valve to ensure it has proper external mating threads to fit the hose and regulator assembly provided.
3. Make sure all burner valves are in OFF position.
4. Inspect the valve connection port and regulator assembly. Look for damage or debris. Remove any debris. Inspect hose for damage. Never use damaged or plugged equipment.
5. When connecting regulator and hose assembly to tank valve hand tighten quick coupling nut clockwise to a full stop (Fig.21) Do not use a wrench to tighten because it could damage the quick coupling nut and result in a hazardous condition.
6. Open tank valve fully (counterclockwise). Use a soapy water solution to check all connections for leaks before attempting to light your grill. If a leak is found, turn tank valve off and do not use your grill until the leak is repaired.

CAUTION: When the appliance is not in use, gas must be turned off at the supply tank.

Regulator Connection

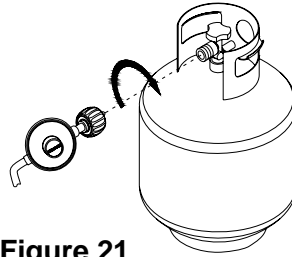


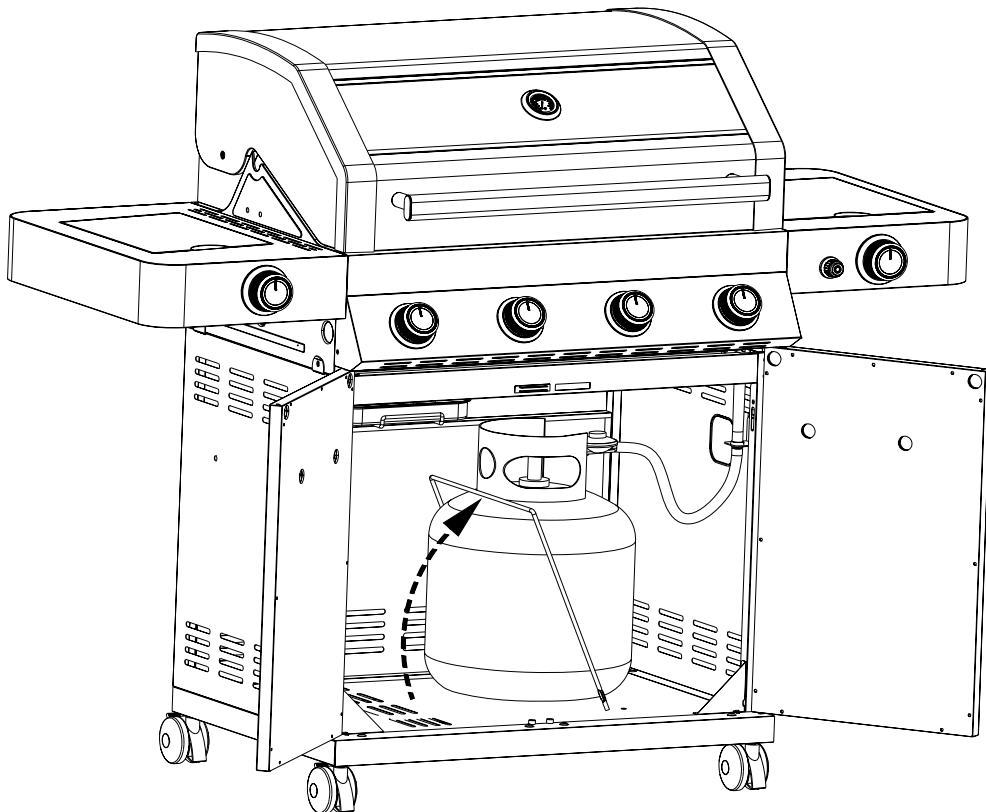
Figure 21

Congratulations

Your gas grill is now ready for use. Before the first use and at the beginning of each season (and whenever the LP gas tank has been changed):

1. Read all safety, lighting and operating instructions.
2. Check gas valve orifices, burner tubes and burner ports for any obstructions.
3. Perform gas leak check according to instructions found on next page of the manual.

Figure 22



Checking for LP gas leaks

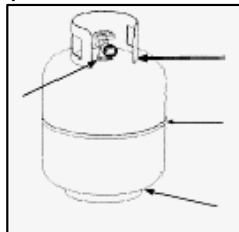
Never test for leaks with a flame. Prior to first use, at the beginning of each season, or every time your LP gas tank is changed, you must check for gas leaks.

1. Make a 50/50 (soap/water) mild soap solution.
2. Turn the control knobs to full OFF position; then turn gas ON at supply tank.
3. Apply the soap solution with a clean brush to all gas connections. See below. If growing bubbles appear in the solution the connections are not properly sealed. Check each fitting and tighten or repair as necessary.

Gas Connection Leak Check



4. If you have a gas connection leak you cannot repair, turn gas OFF at supply tank, disconnect fuel line from your grill and call 1-888-980-4933 or your gas supplier for repair assistance.
5. Also apply soapy solution to the tank seams. See below. If growing bubbles appear, shut tank OFF and do not use or move it! Contact an LP gas supplier or your fire department for assistance.



Gas Tank Leak Check

Grill Lighting Instruction

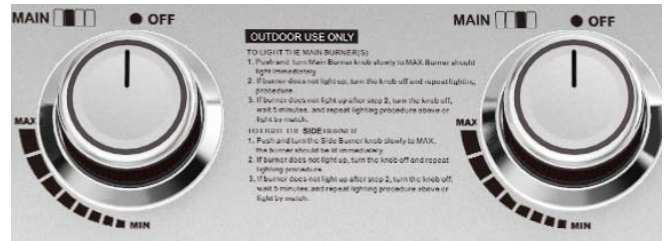
Grill Lighting Instructions for Main Burners

1. Do not smoke while lighting grill or checking gas supply connections.
2. Be sure that LP gas tank is sufficiently full.
3. Be sure all gas connections are securely tightened.
4. Turn on gas supply
5. Open the grill main lid and side burner lid.
6. Push and turn any main burner knob to IGNITE/Hi position, at the same time, press and hold electronic ignition button for 3 to 5 seconds to light burner.



WARNING

Failure to open grill lid during the lighting procedure could result in a fire or explosion that could cause serious bodily injury, death, or property damage.



7. To light burners, push and turn burner knob (s) to IGNITE/Hi. At the same time, press and hold electronic ignition button for 3 to 5 seconds to light burner. Adjust knob (s) to desired setting.
8. If the burner does not light after 5 seconds, turn knob to OFF. Turn gas OFF at LP tank and wait 5 minutes for gas to clear. Then turn gas ON at tank and repeat step 6.
9. If burner still does not light, see Match Lighting section and If Grill Still Fails to Light section on following page.

USING THE SIDE BURNER

Inspect the gas supply hose prior to turning the gas "ON". If there is evidence of cuts, wear or abrasion, it must be replaced prior to use. Do not use the side burner if the odor of gas is present.

WARNING: Always keep your face and body as far away from the burner as possible when lighting.

LIGHTING INSTRUCTIONS FOR SIDE BURNER

1. Open side burner lid fully.
2. Push and turn side burner knob to IGNITE/Hi position. At the same time, press and hold electronic ignition button for 3 to 5 seconds to light burner.
3. If the side burner does not light after 5 seconds, turn knob to OFF. Turn gas OFF at LP tank and wait 5 minutes for gas to clear. Then turn gas ON at tank and repeat step 2.
4. If burner still does not light, see Match Lighting section and If Grill Still Fails to Light section on following page.



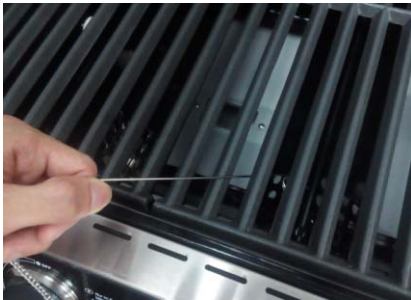


WARNING

Never lean over the grill cooking area while lighting your gas grill. Keep your face and body a safe distance (at least 18 inches) from the cooking grid surface when lighting your grill by match.

Manually Lighting Your Grill by Match

1. Take the manual lighting stick
2. Insert a match into the lighting stick.
3. Follow steps 1 through 5 of the Basic Lighting Procedure.
4. Light the match and extend the lighting stick to cooking grid surface.
5. Turn the desired control knob to the HI/position setting to release gas. The burner should light immediately.



WARNING

Should a “FLASH-BACK” fire occur in/or around the burner tubes, follow the instructions below. Failure to comply with these instructions could result in a fire or explosion that could cause serious bodily injury, death, or property damage.

- Shut off gas supply to the gas grill.
- Turn the control knobs to OFF position.
- Put out any flame with a proper fire extinguisher.
- Open grill lid.
- Once the grill has cooled down, clean the burner tubes and burners according to the cleaning instructions found on page 15.

If Grill Still Fails To Light

1. Check gas supply and connections for leaks. Check that all wire connections are secure.

2. Repeat basic lighting procedure. If your grill still fails to operate, turn the gas off at source, turn the control knobs to OFF, then check the following:

- Misalignment of burner tubes over orifices

Correction: Reposition burner tubes over orifices.

- Obstruction in gas line

Correction: Remove fuel line from grill. Do not smoke! Open gas supply for 1 second to clear any obstruction from fuel line. Close off gas supply at source and reconnect fuel line to grill.

- Plugged orifice

Correction: Remove burners from grill, carefully lift each burner up and away from gas valve orifice. Remove the orifice from gas valve and gently clear any obstruction with a fine wire. Then reinstall all orifices, burners, and cooking components.

3. If an obstruction is suspected in gas valves, please call for repair service at 1-888-980-4933.

4. If the grill still does not light you may need to purge air from the gas line or reset the regulator excess gas flow device. **Note:** This procedure should be done every time a new LP gas tank is connected to your grill.

To purge air from your gas line and/or reset the regulator excess gas flow device:

- Turn the control knob to OFF position.
- Turn off the gas at the tank valve.
- Disconnect regulator from LP gas tank.
- Let unit stand for 5 minutes.
- Reconnect regulator to the LP gas tank.
- Turn the tank valve on slowly until $\frac{1}{4}$ to $\frac{1}{2}$ open.
- Open the grill lid.
- Set control knobs to OFF. Push and turn any control knob to HIGH.
- Turn control knobs to HIGH until all the burners are lit
- You may start to use the grill

5. If all checks or corrections have been made and you still have questions about operating your gas grill, call the **Customer Service Helpline 8 AM – 5 PM PST, Monday through Friday at 1-888-980-4933**

Cleaning and Maintenance

To ensure a proper working unit the following proper care and maintenance is suggested.

Cleaning Cooking Grids

We suggest you wash your cooking grids in a mild soap and warm water solution. You can use a wash cloth or soft brush to clean your cooking grids.

Cleaning Heat Diffusers

Periodically you should wash the heat diffusers in a soap and warm water solution. Use a soft brush to remove stubborn burnt-on cooking residue. The heat diffusers should be dry before you reinstall them.

Cleaning Grease Tray

The grease tray should be emptied and wiped down periodically and washed in a mild detergent and warm water solution. A small amount of sand or cat litter may be placed in bottom of grease tray to absorb the grease. Check the grease tray frequently, don't allow excess grease to accumulate and overflow out of the grease tray.

Annual Cleaning of Grill Interior

Burning-off the grill after every use will keep it ready for your next use. However, once a year you should give the entire grill a thorough cleaning to keep it in top operating condition. Follow these steps.

1. Turn all burner valves to full OFF position.
2. Turn LP gas tank valve to full OFF position.
3. Detach LP gas hose and regulator assembly from your gas grill. Inspect for any damage and replace as necessary with manufacturer replacement part number found on parts list.
4. Remove and clean heat diffusers, cooking grids and grill burners.
5. Cover each gas valve orifice with aluminum foil.
6. Brush inside and bottom of grill with a nylon brush, and wash with a mild soap and warm water solution. Rinse thoroughly and let dry.
7. Remove the aluminum foil, then reinstall heat diffusers, and cooking grids.
8. Reconnect gas source and observe burner flame for correct operation.

Cleaning Exterior Surface

•We suggest you wash your grill using a mild soap and warm water solution. You can use a wash cloth or sponge for this process. Do not use abrasives or a brush that might remove finish during the cleaning process.

Cleaning Exterior Stainless Steel Surfaces

•Weathering and extreme heat can cause exterior stainless steel surfaces to turn tan in color. Machine oils used in manufacturing process of stainless steel can also cause this tanning color. Use a stainless steel cleaner to polish stainless steel surfaces of your grill. Never use abrasive cleaners or scrubbers because they will scratch and damage your grill.

Cleaning Burner Tubes and Burner Ports

To reduce the chance of "FLASH-BACK" the procedure below should be followed at least once a month in late summer or early fall when spiders are most active or when your grill has not been used for a period of time.

1. Turn all burner valves and gas tank valve to off position.
2. Detach the LP gas regulator assembly from your gas grill.
3. Remove cooking grids, heat diffusers, and grease tray from the grill.
4. Remove the screws from the underside of each burner and lift the burners up and away from the gas valve orifice.
5. Using a bent stiff wire in the shape of a hook, air hose or a bottle brush, run it through the burner tube and inside several times to remove any debris.
6. Replace burners, see illustration below.

Step 1



Step 2



Step 3



WARNING

The location of the burner tube with respect to the orifice is vital for safe operation. Check to ensure the orifice is inside the burner tube before using the gas grill. If the burner tube does not fit over the valve orifice, lighting the burner may cause explosion and/or fire.

Regardless of which burner cleaning procedure you use, we recommend you also complete the following steps to help prolong burner life.

1. Use a fiber pad or nylon brush to clean the entire outer surface of each burner until free of food residue and dirt.
2. Clean any clogged ports with a stiff wire, such as an open paper clip.

3. Inspect each burner for damage (cracks or holes) and if such damage is found, order and install a new burner. After installation check to ensure that gas valve orifices are correctly placed inside the ends of the burner tubes.

 **WARNING**

Spiders and insects can nest inside the burners of the grill and disrupt gas flow. This very dangerous condition could cause a fire behind the valve panel, thereby damaging the grill and making it unsafe for operation. Inspect the grill at least twice a year.

Troubleshooting

BEFORE CALLING FOR SERVICE

If the grill does not function properly, use the following check list before calling for service.

You should inspect the burners at least once a year or immediately after any of the following conditions occur:

PROBLEMS	WHAT TO DO
Grill won't light when the control knob is rotated.	<p>Check to see if LP tank is empty.</p> <p>Clean wires and/or electrode by rubbing with alcohol and clean swab.</p> <p>Wipe with dry cloth.</p> <p>Make sure the wire is connected to electrode assembly.</p> <p>Do other burners on the unit operate?</p> <p>Check to see if other burners operate. If so, check the gas orifice on the malfunctioning burner for an obstruction.</p>
Burner flame is yellow or orange, in combination with the odor of gas.	Refer to Clean Burner Tubes and Burner Ports on page 15. If problem still exists, please call 1-888-980-4933.
Low heat with knob in "HI" position.	<p>Is the fuel hose bent or kinked?</p> <p>Is the grill in a dusty area?</p> <p>Is there adequate gas supply available?</p> <p>If it is only one burner that appears low, does the orifice or burner need cleaning?</p> <p>Is the gas supply or gas pressure low?</p>

Cooking Instructions

WARNING

Do not leave the grill unattended. Your grill will get very hot. Never lean over the cooking area while using your grill. Do not touch cooking surfaces, grill housing. Grill Lid or any other grill parts while the grill is in operation, or until the grill has cooled down after use. Failure to comply with these instructions may result in serious bodily injury.

Burn-off

Before cooking on your gas grill for the first time, you will want to “burn off” the grill to eliminate any odor or foreign matter. Just ignite the burners, lower the Lid, and operate grill on the HIGH setting for 3 to 5 minutes.

Cooking Temperatures

High setting: Only use this setting for fast warm-up, searing steaks or chops and for burning food residue off the grill after cooking is complete. **Never** use the HIGH setting for extended cooking.

Medium to Low Settings: Most recipes specify medium to low settings, including all smoking and for cooking lean cuts such as fish.

NOTE: Temperature settings will vary with the temperature and the amount of wind outside your home.

Direct Cooking

The direct cooking method can be used with the supplied cooking grids and food placed directly over the lit grill Burners. **Direct cooking requires the grill lid to be up.** The method is ideal for searing and whenever you want meat, poultry or fish to have and open-flame barbecued taste. Deep frying and smoking are also best cooked in this manner because they require direct heat.

WARNING

Do not line the bottom of the grill housing with aluminum foil, sand or any substance that will restrict the flow of grease into the grease tray. Failure to comply with these instructions could result in a fire or explosion which could cause serious bodily injury, death, or property damage.

Indirect Cooking

To cook **indirectly**, the food should be placed on the left or right side of your grill with the burner lit on the opposite side. **Indirect cooking must be done with the Lid down.**

Flare-ups

The fats and juices dripping from grilled food can cause flare-ups. Since flare-ups impart a favorably, distinctive taste and color to food cooked over an open flame, they should be accepted up to a point. Nevertheless, uncontrolled flaring can result in a ruined meal.

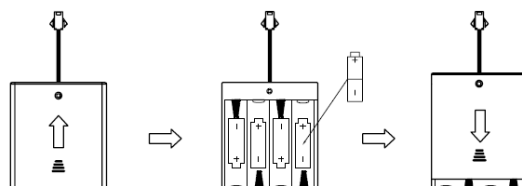
CAUTION

To prevent damage to adjacent burner(s), the fire box heat shield must be securely inserted in place when operating the Searing burner.

Replacing the Battery

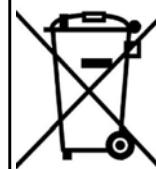
If the LED do not light, the battery should be replaced. Change the led battery

1. Find the battery box, open the lid.
2. Put 4pcs “AA” size battery, the positive and negative pole of the battery should keep the same as the pole in box.
3. Close the lid.



Correct Disposal of this product

This marking indicates that this product should not be disposed with other household wastes throughout the EU. To prevent possible harm to the environment or human health from uncontrolled waste disposal, recycle it responsibly to promote the sustainable reuse of material resources. To return your used device, please use the return and collection systems or contact the retailer where the product was purchased. They can take this product for environmental safe recycling.



Grill Cooking Chart

WARNING: To ensure that it is safe to eat, food must be cooked to the minimum internal temperatures listed in the table below.

USDA* Safe Minimum Internal Temperatures	
Fish	145° F
Pork	160° F
Egg Dishes	160° F
Steaks and Roasts of Beef, Veal or Lamb	145° F
Ground Beef, Veal or Lamb	160° F
Whole Poultry (Turkey, Chicken, Duck, etc.)	165° F
Ground or Pieces Poultry (Chicken Breast, etc.)	165° F

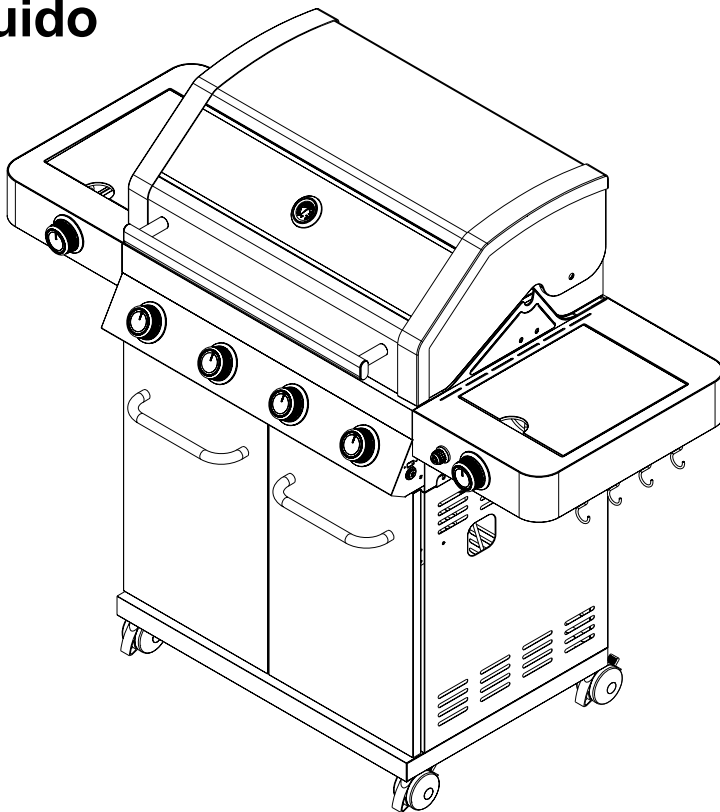
* United States Department of Agriculture

FOOD	Weight or thickness	Temperature	Time	Special instructions and tips
Vegetables	NA	Medium	8 to 20 minutes	Slice or chop vegetables and dot with butter or margarine. Wrap tightly in heavy duty foil. Grill turning occasionally.
Potatoes	Whole	Medium	40 to 60 minutes	Wrap individually in heavy duty foil. Cook rotating occasionally.
Meat/Steaks	1/2 to 3/4 inches	High-Medium	4 to 15 minutes	Pre heat grill for 15-20 minutes then sear steaks on each side for two minutes. Next grill 3 to 5 minutes on each side or until desired doneness.
Ground Meats	1/2 to 3/4 inches	Medium	8 to 15 minutes	Grill turning once when juices rise to the surface or until desired amount of doneness. Do not leave hamburgers unattended since a flare-up could occur quickly.
Ribs	1/2 or full rack	Medium	20 to 40 minutes	Grill turning occasionally. During last few minutes brush with barbecue sauce, turn several times.
Hot dogs	NA	Medium	5 to 10 minutes	Grill turning four times. 2-4 minutes on each of four sides.
Poultry-Cut	1/4 to 1/2 pounds	Low or Medium	20 to 40 minutes	Grill turning occasionally. During last few minutes brush with barbecue sauce if desired, turn several times.
Poultry Whole	2 to 3 pounds	Low or	1 to 1-1/2 hours	Use poultry stand and brush frequently as desired
		Medium	40 to 60 minutes	Use poultry stand and brush frequently as desired
Fish	3/4 to 1 inch	Medium	8 to 15 minutes	Grill turning once to desired doneness. Brush with melted butter, margarine or oil.

INSTRUCCIONES PARA MONTAJE Y FUNCIONAMIENTO



Parrilla a gas de propano líquido



- Partes
- Montaje
- Reglas para seguridad
- Uso y mantenimiento
- Resolución de problemas básicos



ADVERTENCIA

Lea este Manual del Usuario atentamente y asegúrese de que su parrilla a gas esté correctamente montada, instalada, y mantenida. La no observancia de estas instrucciones puede causar lesiones serias y/o daños a la propiedad. Esta parrilla a gas está diseñada para ser usada sólo al aire libre y no en vehículos recreativos ni botes.

Nota para el Instalador

Deje este Manual del Usuario al cliente después de la entrega y/o la instalación.

Para el Consumidor:

Deje este manual en un lugar conveniente para usar como referencia en el futuro.

Línea de asistencia para servicio al cliente:

Para pedir repuestos, llame al:
1-888-980-4933

Nº de fabricante: 35633

UPC No.: 860448000396

Asegúrese de que el dispositivo de conexión de la válvula del cilindro se adecue bien al dispositivo de conexión adjunto a la entrada del regulador de presión.

C042141

Indice

Garantía-----	2
Precauciones de seguridad-----	2~4
Lista de herramientas-----	5
Esquema de partes-----	6
Lista de partes-----	7
Instrucciones para montaje-----	8~18
Instrucciones para prender-----	18~20
Limpieza y mantenimiento -----	21~22
Resolución de problemas-----	22
Instrucciones para cocinar-----	23
Gráfica para cocinar-----	24

Garantía de la parrilla

Garantía completa de un año sobre la parrilla

Si esta parrilla dejase de funcionar debido a un material defectuoso o una mala fabricación dentro del primer año después de la fecha de compra, llame al 1-888-980-4933 para concertar una reparación gratuita (o un reemplazo si la reparación es imposible).

Garantía limitada de ocho años sobre los Quemadores de acero inoxidable

Durante ocho años a partir de la fecha de compra, cualquier quemador de acero inoxidable que se oxide será sustituido gratis. Después del primer año a partir de la fecha de compra, usted pagará la mano de obra si necesita una instalación.

Toda cobertura de garantía excluye las baterías del encendedor, y las pérdidas de pintura de la parrilla, así como su decoloración u oxidación, las cuales son partes consumibles que se gastan con el uso normal dentro del periodo de garantía, o son condiciones que pueden ser resultado de un uso normal, accidente, o mantenimiento inadecuado,

Toda cobertura de garantía es nula si la parrilla se usa con fines comerciales o de alquiler.

Toda cobertura de garantía se aplica sólo si la parrilla se usa en los Estados Unidos.

Esta garantía le concede derechos legales específicos, y usted puede tener otros derechos que varían de estado a estado.

Precauciones de seguridad



ADVERTENCIA

Los productos derivados de la combustión producidos durante el uso de este producto contienen químicos reconocidos por el Estado de California como causantes de cáncer, defectos de nacimiento u otros daños a la reproducción.



ADVERTENCIA

La no observación de las instrucciones indicadas puede resultar en un incendio o explosión que podrían causar serios daños personales, la muerte o daños a la propiedad.



ADVERTENCIA

LA PARRILLA SE PONE MUY CALIENTE. Nunca debe agacharse sobre la parrilla mientras la usa. No toque las superficies, las hornillas, la tapa, ni otras partes de la parrilla mientras esté en uso, o hasta que la parrilla se enfríe completamente. Falta de seguir las instrucciones puede resultar en heridas graves.



ADVERTENCIA

- 1. No almacene ni use gasolina u otros gases y líquido inflamables cerca de este ni ningún otro artefacto.**
- 2. Un cilindro de propano licuado que no esté conectado para usarse no debe ser almacenado cerca de este ni ningún otro artefacto.**



PELIGRO

Si siente olor a gas:

- 1. Cierre el suministro de gas al aparato**
- 2. Apague cualquier llama.**
- 3. Abra la tapa.**
- 4. Si sigue el olor, llame inmediatamente a su proveedor de gas o al departamento de bomberos de su zona.**

CODIGOS PARA EL INSTALACIÓN DE LA PARRILLA

La instalación debe hacerse según los códigos locales, o en su ausencia, según el Código Nacional de Gas Combustible, ANSIZ 223.1/NFPA S4, el Código de Instalación del Gas Natural y Propano, CSA B149.1, o el Código de Manipulación e Instalación del Propano, B149.2, o la Norma para Vehículos Recreativos, ANSI A 119.2, y el Código para Vehículos Recreativos serie CSA Z240 RV, según se aplique.

Los modelos de parrillas a gas de PL están diseñados para ser usados con un Tanque Normal de Propano Líquido de 20 libras, el cual no está incluido con la parrilla. No conecte nunca su parrilla a gas a un tanque de gas de PL que supere esta capacidad.

Precauciones de seguridad

El tamaño máximo de tanque de gas de PL a utilizarse es un tanque de aproximadamente 12 pulgadas de diámetro por 18-1/2 pulgadas de alto. **Debe usar un tanque de gas OPD, el cual ofrece un Dispositivo de Prevención de Sobrellenado.** Esta función de seguridad evita que el tanque se llene demasiado, lo cual causa un mal funcionamiento del tanque de gas de PL, el regulador y la parrilla.

El cilindro de gas de PL debe ser construido y marcado de acuerdo con las especificaciones del Departamento de Transporte de los EE.UU. (DOT) En Canadá, el tanque de gas de PL debe conformarse al el Estándar Nacional de Canadá, Can CSA-B339, Cilindros, esferas y tubos para transporte de productos peligrosos, y la Comisión.

1. El cilindro de gas de PL debe tener una válvula de cierre, que termine en una salida de válvula de tanque que sea compatible con un dispositivo de conexión de tanque tipo 1. El tanque de gas de PL también debe tener un dispositivo de aligeramiento de seguridad que tenga una conexión directa con el espacio de vapor del tanque.
2. Mantenga siempre los tanques de gas de PL en posición vertical. El sistema de suministro del cilindro debe estar dispuesto para la salida de vapores.
3. El tanque de gas de PL usado debe tener un cuello para proteger la válvula del tanque.

Colocación y separación correctos de la parrilla

No utilice nunca su parrilla en un garaje, porche, cobertizo, pasaje techado entre edificios u otros lugares cerrados. Su parrilla a gas debe ser usada **sólo al aire libre**, dejando al menos 24 pulgadas desde la parte trasera de cualquier superficie combustible. Su parrilla a gas no debe ser usada debajo de construcciones techadas combustibles. No obstruya el flujo de aire para ventilación que se encuentra alrededor del alojamiento de la parrilla de gas.

- No instale esta parrilla a gas para uso al aire libre en o sobre vehículos recreativos o botes.
- Mantenga el área de la parrilla a gas para uso al aire libre limpia y libre de materiales combustibles, gasolina y otros gases y líquidos inflamables.
- No obstruya el flujo de aire para combustión y ventilación. Inspeccione esto cada vez que vaya a utilizar la parrilla.
- No conecte **nunca un tanque de gas de PL sin regulación a su parrilla a gas. El conjunto del regulador de gas suministrado con el asador de gas es ajustado para tener una presión de salida de 11" de columna de agua para la conexión a un tanque de gas LP.**
- Use sólo el juego de regular de presión y la manguera provistos con su parrilla a gas. Los juegos de manguera y regulador de recambio deben ser los especificados en este manual.

- Haga llenar su tanque de gas de PL por un vendedor de gas propano acreditado y haga que éste sea inspeccionado y nuevamente cualificado a cada llenado.
- No guarde un tanque de gas LP de repuesto debajo o cerca de este aparato.
- **NUNCA** llene el cilindro a más del 80% de su capacidad. Si ni se sigue exactamente la información, podría causarse un incendio que lleve a la muerte o a heridas serias.
- Mantenga siempre los tanques de gas de PL en posición vertical.
- No almacene ni use gasolina u otros gases y líquidos inflamables cerca de este ni ningún otro artefacto a gas.
- No someta el tanque de gas de PL a un calor excesivo.
- No almacene nunca un tanque de gas de PL adentro. Si almacena su parrilla a gas en el garaje o en otro lugar en interiores, desconecte siempre primero el tanque de gas de PL y almacénelo afuera.



- Coloque la cubierta de polvo en la salida de la válvula del cilindro siempre que el cilindro no esté en uso. Instale sólo el tipo de cubierta de polvo en la salida de la válvula del cilindro que es provista con la válvula del cilindro. Los otros tipos de tapas o tapones pueden causar una fuga del propano.
- Se debe almacenar los tanques de gas de PL afuera, en un área bien ventilada y lejos del alcance de los niños. Los tanques de gas de PL desconectados no deben ser almacenados en un edificio, garaje, ni lugar cerrado.
- Cuando su parrilla a gas no esté en uso, cierre el gas en el tanque de gas de PL.
- El juego de regulador y manguera debe ser inspeccionado antes de cada uso de la parrilla. Si hay demasiada desgaste o erosión o si la manguera está cortada, ésta debe ser remplazada antes de usar nuevamente la parrilla.
- Mantenga la manguera del regulador de gas alejada de las superficies calientes de la parrilla y de la grasa que chorrea. Evite los retorcimientos innecesarios de la manguera. Inspeccione virtualmente la manguera antes de cada uso para ver si hay cortes, rajaduras, desgaste excesivo u otros daños. Si la manguera se ve dañada, no use la parrilla a gas. Llame a 1-888-980-4933 para obtener asistencia.
- No encienda **nunca su parrilla a gas con la tapa cerrada ni antes de asegurarse que los tubos del quemador estén asentados completamente sobre los orificios de la válvula de gas.**
- No permita **nunca que los niños usen la parrilla.**

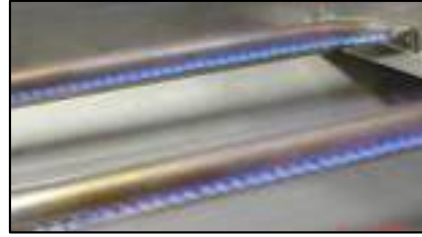


ADVERTENCIA

Un olor fuerte a gas o un sonido siseante de gas indica un grave problema con su parrilla a gas o con su tanque de gas de PL. La no observación de los pasos indicados a continuación puede resultar en un incendio o explosión que podrían causar serios daños personales, la muerte o daños a la propiedad.

- Cierre completamente el suministro de gas a la parrilla a gas.
- Gire las perillas de control a la posición OFF.
- Apague cualquier llama con un extintor adecuado.
- Abra la cubierta de la parrilla.
- Aléjese del tanque de gas de PL.
- No intente arreglarla sin ayuda profesional.
- Si el olor persiste o si hay un incendio que usted no puede extinguir, llame a los bomberos. No haga la llamada cerca del tanque de gas LP, porque su teléfono es una clase de aparato eléctrico que puede causar una chispa que puede resultar en un incendio o una explosión

Inspección de llama de quemadores



Inspeccione visualmente las llamas de los quemadores antes de cada uso. Las llamas deben verse como en la imagen; si no es el caso, vea la sección “Limpieza de tubos de quemadores y salidas”, en la página 15 de este manual.

NOTA: El flujo normal de gas a través del conjunto del regulador y la manguera pueden crear un zumbido. Un volumen bajo de este ruido es perfectamente normal y no interferirá con el funcionamiento de la parrilla. Si el zumbido es fuerte, puede que necesite purgar el aire de la cañería de gas o reiniciar el dispositivo de regulación del exceso de flujo de gas. Este procedimiento de purgado debe hacerse a cada vez que se conecte un nuevo tanque de gas de PL a la parrilla. Para obtener asistencia sobre este procedimiento, vea la página 14, paso 4 de “Si la parrilla todavía no se puede encenderse”, o llame a la Línea de Asistencia para Servicio al Cliente 8 AM a 5 PM EST al: 1-888-980-4933.

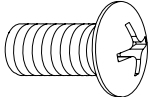
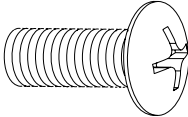
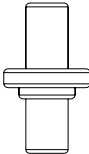

PRECAUCIÓN: Tenga cuidado con las llamaradas

PRECAUCIÓN: Las arañas y los insectos pequeños a veces hacen telarañas o nidos en los tubos de los quemadores de la parrilla durante el periodo de transporte o el almacenamiento de la parrilla. Estas telarañas pueden causar una obstrucción del gas, causando un incendio en o alrededor de los tubos del quemador. Este tipo de llamarada puede causar serios daños a la parrilla y crear una condición de uso no segura para el usuario. Si bien un tubo de quemador obstruido no es la única causa de estas llamaradas, es la causa más común.

Para disminuir las posibilidades de llamaradas, limpie los tubos de quemadores antes de armar la parrilla, y al menos una vez al mes al fin del verano o comienzos del otoño cuando las arañas están más activas. Realice esta limpieza de tubo si su parrilla no ha sido usada por un largo periodo de tiempo. Vea Limpieza de Tubos de Quemadores y Salidas en la pág 15

Contenido del Paquete de Herramientas

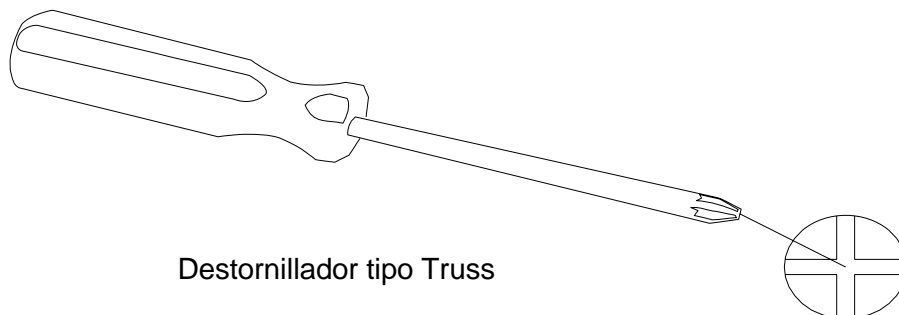
La tabla siguiente presenta una lista detallada del paquete de materiales. Subraya qué componentes son usados en las diversas etapas del ensamblaje.

Artículo	Descripción	Especificación	Cantidad
A		5/32"x12mm	11 un
B		1/4"x15mm	12 un
C			2 un
D		1/4"	4 un

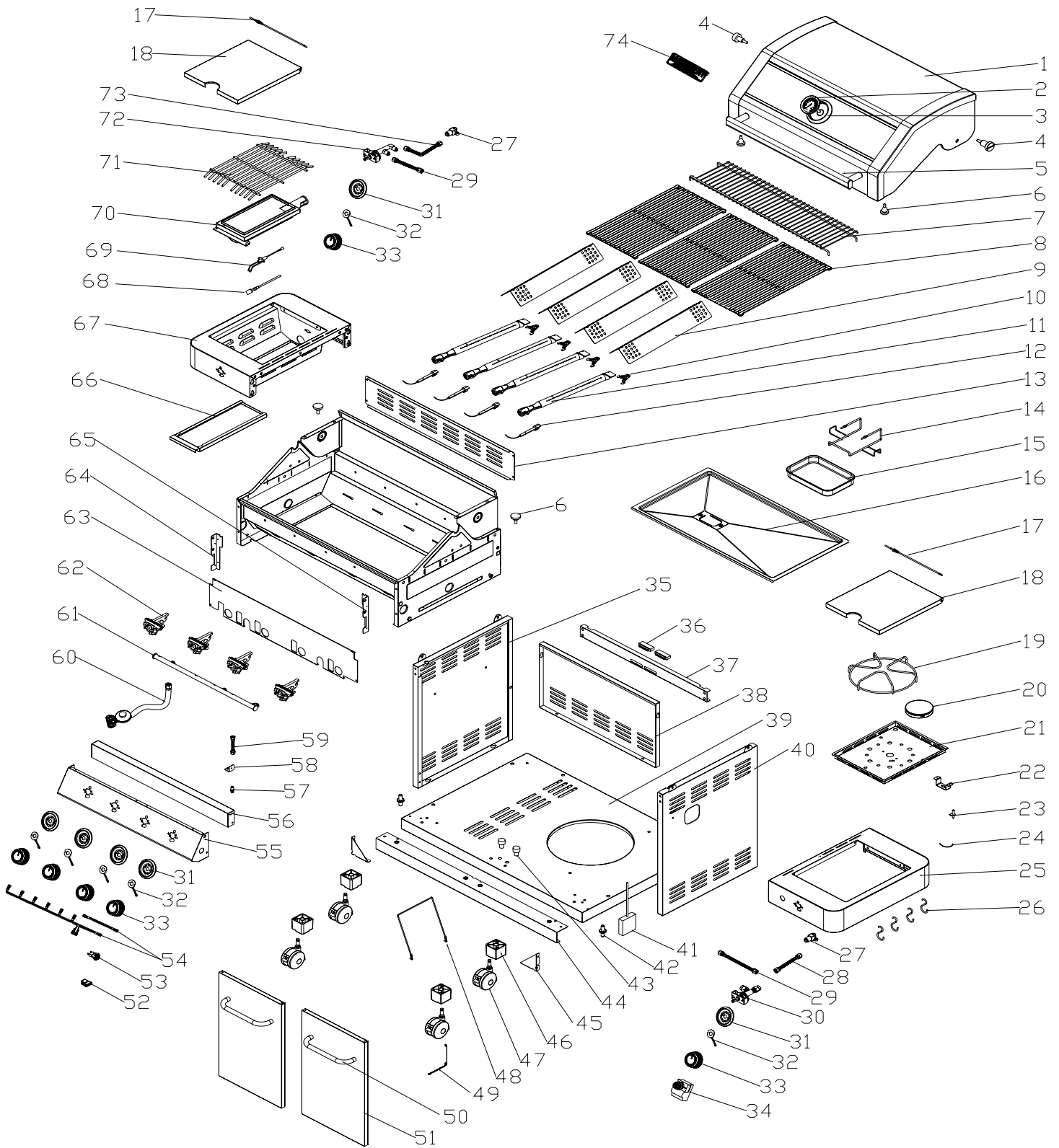
Herramientas necesarias para el ensamblaje

Destornillador tipo Truss (no se incluye).

Nota: Los laterales izquierdo y derecho de la parrilla se encuentran a su izquierda y a su derecha si se coloca de frente a la parrilla.



Modelo 35633 Esquema de Partes



Lista de partes del modelo N° 35633

seq. NO.	appellation	qty	Material code	seq. NO.	appellation	qty	Material code
1	Tapa principal	1	D010012906	39	Panel inferior	1	D010012098
2	Medidor de temperatura	1	A0212824	40	Panel lateral, derecha	1	D010012903
3	La temperatura probador enchufe	1	A0212967	41	Cajas para baterías	1	A0212663
4	Tornillo de la tapa principal	2	A0407131	42	Spindle below door panel	2	A0212557
5	Poignée du couvercle principal	1	D010010251	43	Tornillo de tope de puerta	2	A02120079
6	Amortisseur hotte	4	A0201340	44	Antes de la decoración del piso	1	D010012063
7	Anaquele de calentamiento	1	A0212856	45	Soporte en triángulo, izquierdo	2	D010012745
8	Parrilla de cocción con agujero	3	A0212804	46	Echadores del eslabón giratorio fijada enchufes	4	A0212805
9	Moderador de llama	4	D010012307	47	Ruedita	4	A0211004
10	Tarjeta de primavera	4	A0212873	48	Gas-Fija del alambre	1	A0212837
11	Quemador principal	4	A0212926	49	Vara de encendido	1	A0212835
12	Encendedor del quemador principal	4	D010013685	50	Manija de la puerta	2	D010012747
13	Panel trasero, parte superior	1	D010012737	51	Puerta delantera	2	D010012094
14	Soporte en Réceptacle à graisse	1	A0212838	52	Luces LED enchufe con-USB2.0	1	A02120032
15	Caja de recogida de aceite	1	D010012705	53	LED El interruptor de la luz	1	A0212627
16	Plateau à graisse	1	D010012072	54	LED Electric line	1	D010013687
17	Vara de bisagra de tapa del quemador lateral	2	A0212534	55	Múltiple principal	1	D010013688
18	Tapa del quemador lateral	2	D010007598	56	Marco del Múltiple principal	1	D010012108
19	Rejilla de cocción del quemador,derecha	1	A0212248	57	Conectores de gas	1	A0212830
20	Quemador lateral, derecha	1	A0212533	58	Conector de la placa de fijación	1	D010012298
21	El soporte de la bandeja Quemador lateral	1	D011006420	59	Tuyau de gaz flexible du brûleur	1	A0212829
22	Soporte en El orificio Quemador lateral	1	D019706920	60	Regulador de gas licuado	1	A0212831
23	Encendedor del Quemador lateral, derecha	1	A0212436	61	Múltiple principal	1	A02120086
24	La línea encendedor, derecha	1	A02120084	62	Válvula de gas principal	4	A0212862
25	Estante lateral, derecha	1	D010013686	63	Deflector frontal	1	D010012052
26	Atadero	4	A0212538	64	La placa fija, izquierda	1	D010012050
27	El orificio Quemador lateral	2	A0212828	65	La placa fija, derecha	1	D010012051
28	Caño flexible de gas del quemador de rotisserie, 250	1	A020021	66	Caja de recogida de aceite, izquierda	1	D010012440
29	Caño flexible de gas del quemador de rotisserie, 480	2	A02120090	67	Estante lateral, izquierda	1	D010013689
30	Valve de gaz du brûleur latéral, derecha	1	A02120088	68	La línea encendedor,izquierda	1	A0212891
31	Bouton de commande Colletterte	6	D010012905	69	Encendedor del Quemador lateral,izquierda	1	A0212871
32	LED La bombilla	6	A0212777	70	Quemador lateral,izquierda	1	A0212872
33	Bouton de commande	6	A0212922	71	Rejilla de cocción del quemador,izquierda	1	A0212875
34	Módulo de encendido a pulsión	1	A0212864	72	Valve de gaz du brûleur latéral, izquierda	1	A02120089
35	Panel lateral, izquierda	1	D010012742	73	Caño flexible de gas del quemador de rotisserie, 750	1	A020005
36	Imán de puerta	2	A0201249	74	Logotipo	1	A0212808
37	Marco del carro, parte delantera	1	D010012721		Manual	1	C042141
38	Panel trasero, parte inferior	1	D010012748		Paquete de materiales	1	D010012753

Para preguntas sobre el ensamblado, llame al:
1-888-980-4933

Importante: Use sólo las partes listadas arriba. Al ordenar repuestos, suministre la información siguiente:

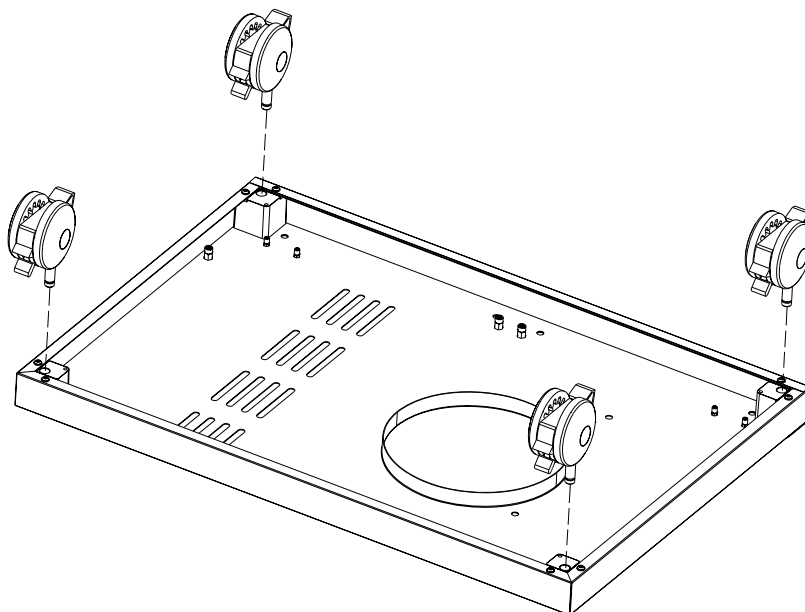
Para asegurarse de obtener los repuestos correctos para su parrilla a gas, vea el número de las partes de esta página.

1. Modelo #
2. Parte número (ver PARTE# en la gráfica)
3. Descripción de la parte
4. Cantidad de repuestos que necesita.

Importante: Guarde este manual del usuario para facilitar su consulta y para la sustitución de partes.

Instrucciones para montar

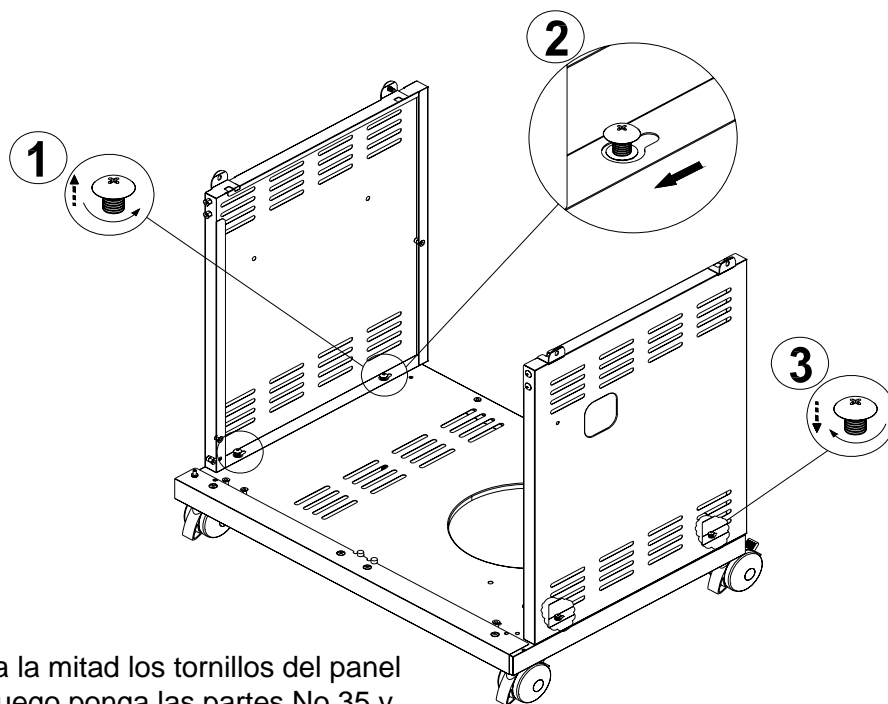
PASO 1



Favor de insertar la parte No.47 en el panel del fondo.

Ilustr. 1

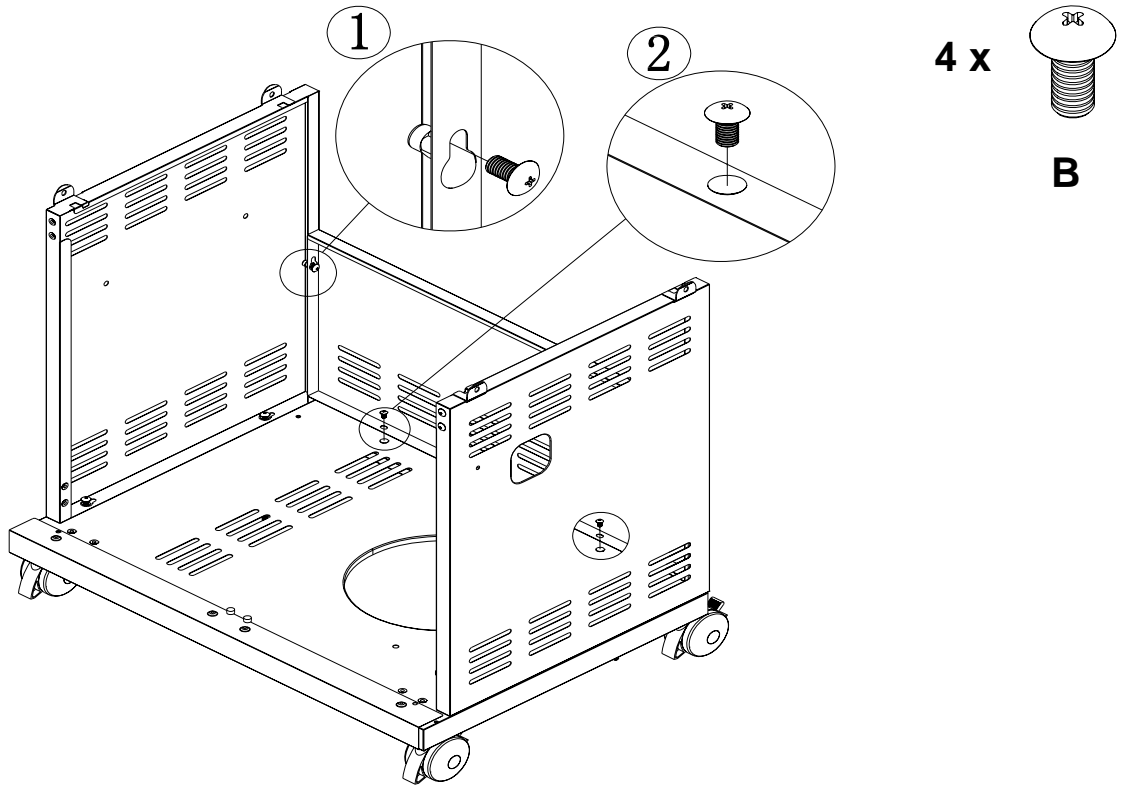
PASO 2



Desatornille a la mitad los tornillos del panel del fondo, y luego ponga las partes No.35 y No.40 en los agujeros que les corresponden, y luego atorníllelos bien.

Ilustr. 2

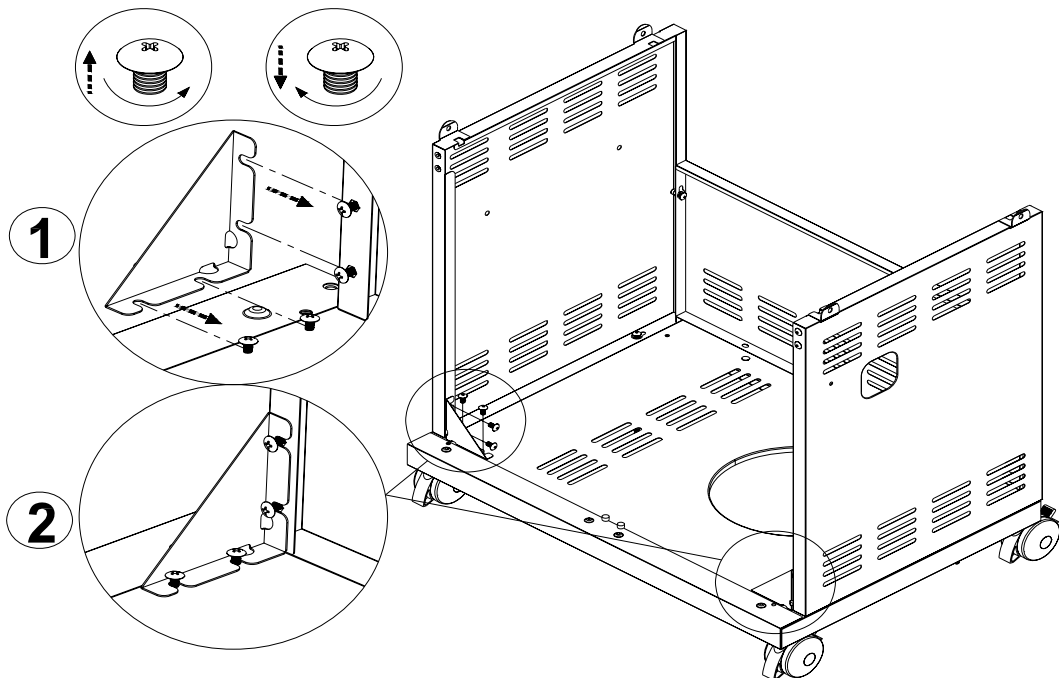
PASO 3



Monte la parte No.38 en el lugar que le corresponde con cuatro tornillos B.

Ilustr. 3

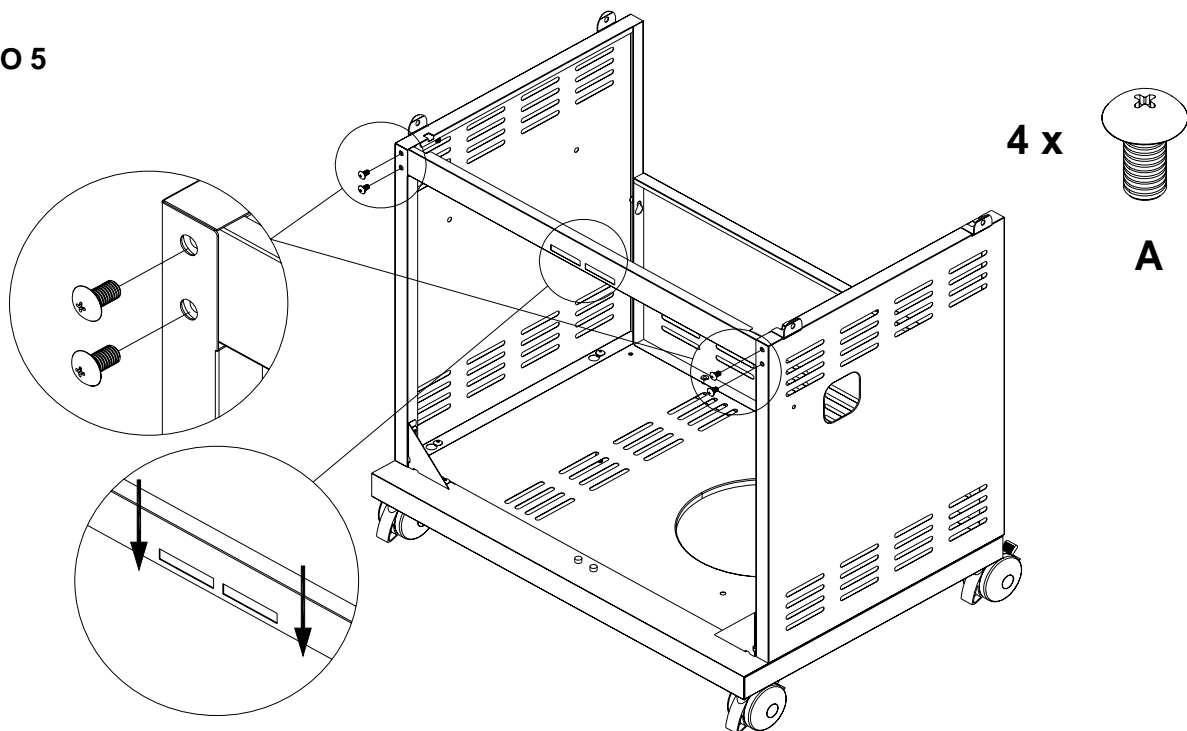
PASO 4



Desatornille a la mitad los tornillos en el panel del fondo y el panel lateral. Luego ponga la parte No.45 en los agujeros que le corresponden y atorníllelos bien.

Ilustr. 4

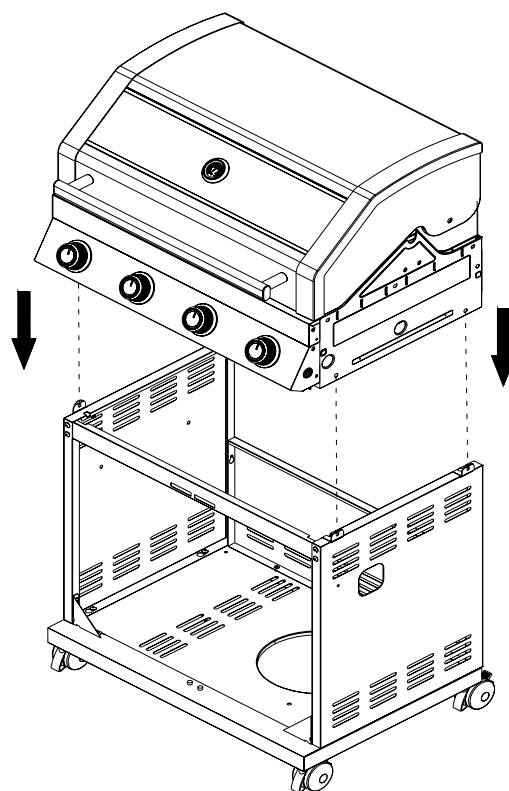
PASO 5



Monte la parte No.37 en el lugar que le corresponde con cuatro tornillos A .
Aviso: Imán hacia abajo.

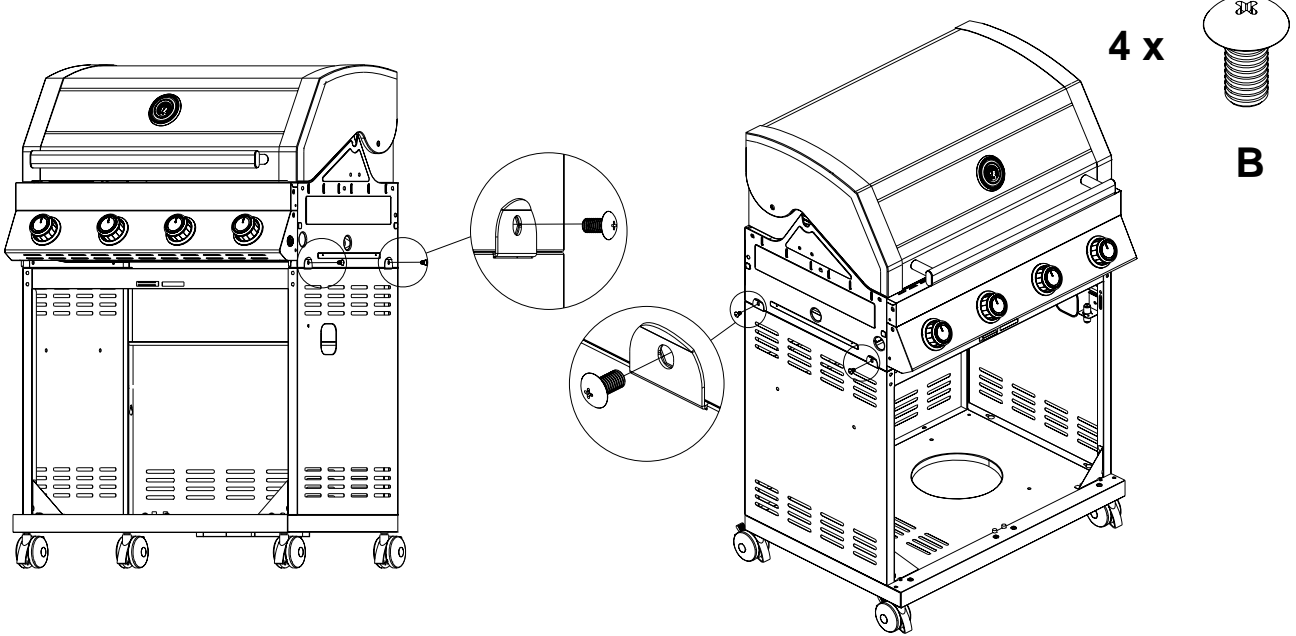
Ilustr. 5

PASO 6



Ilustr. 6

PASO 7

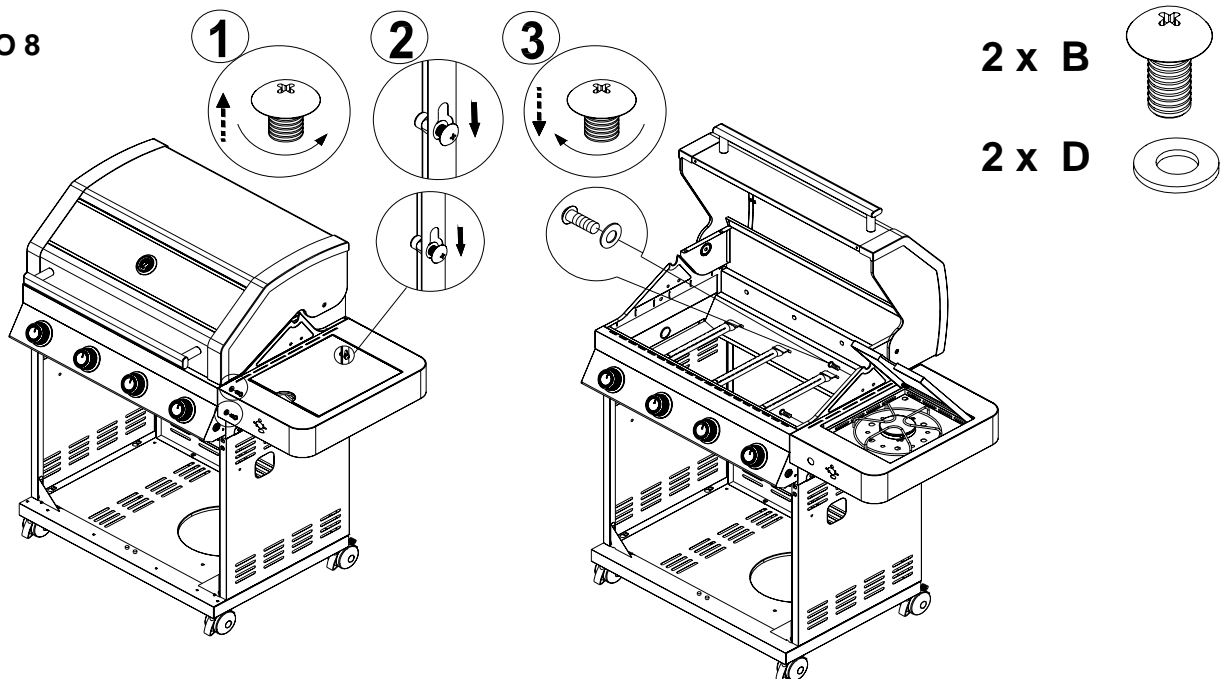


Atornille bien al armazón y al carrillo con cuatro tornillos B. (Ilustr. 7.1)

Ilustr. 7.1

Ilustr. 7.2

PASO 8



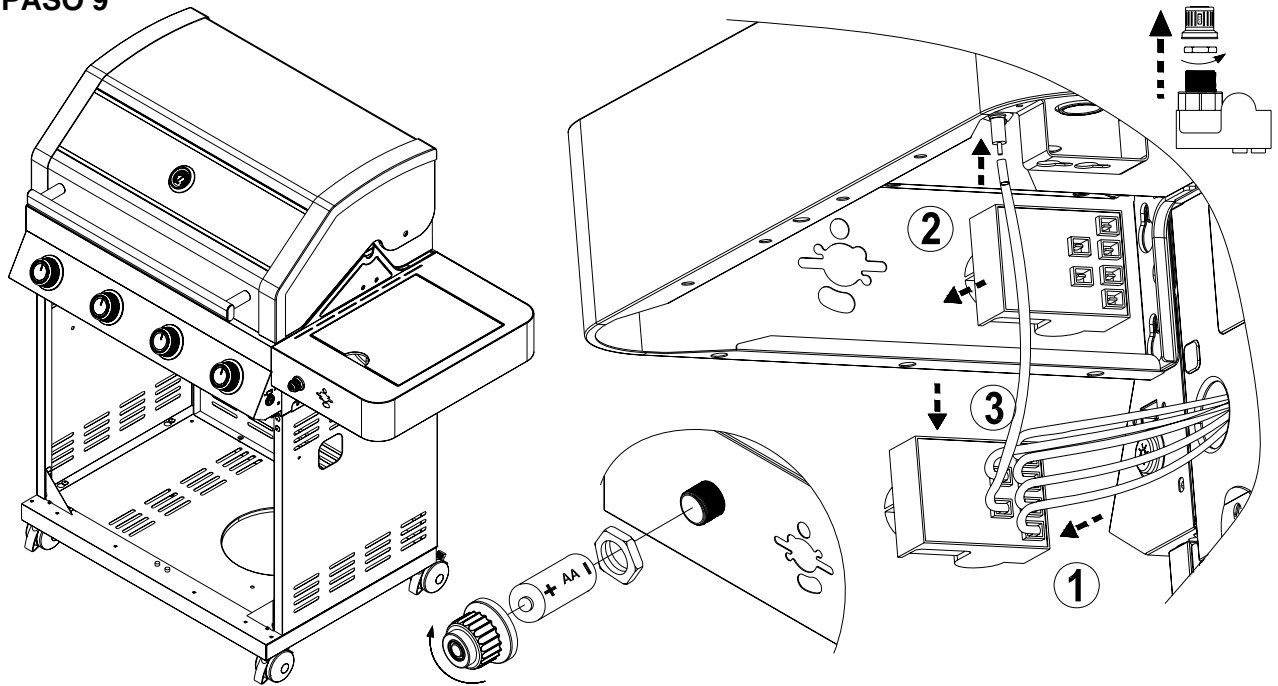
1) Desatornille a la mitad los tres tornillos grandes en el armazón, luego ponga la parte No.25 en los agujeros que le corresponden, y atorníllelos bien.

Ilustr. 8.1

2) Atornille bien la parte No.25 con tornillo B y separador D dentro del armazón.

Ilustr. 8.2

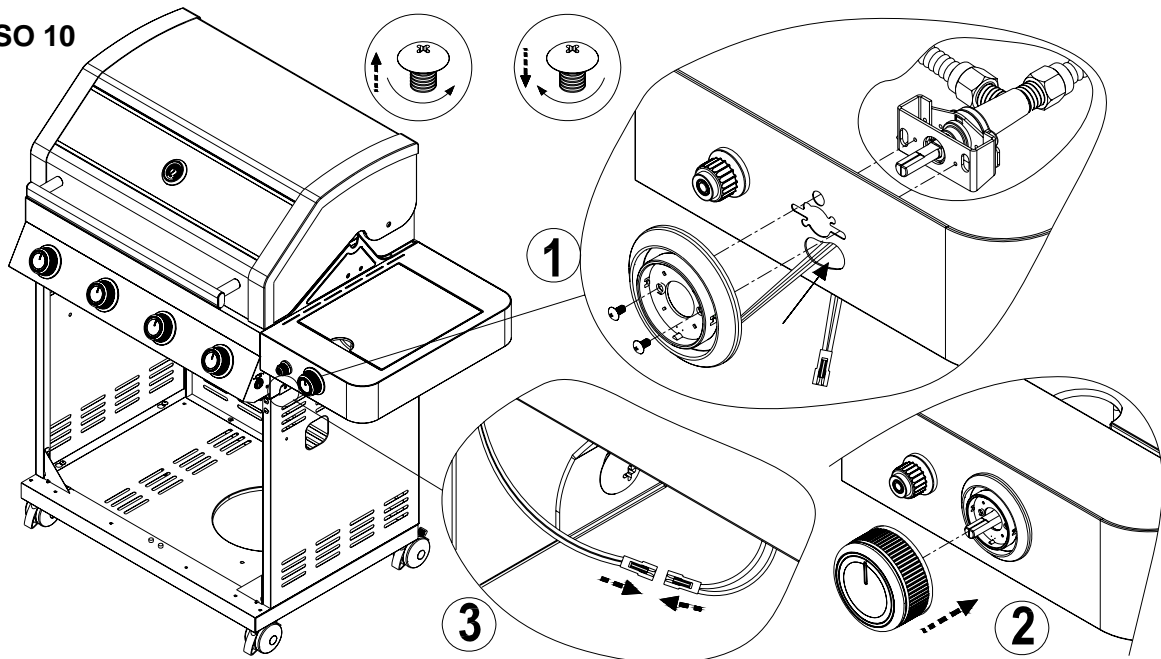
PASO 9



1. Inserte el cable de encendido en la parte No.34.
2. Inserte la parte No.34 en la parte No.25.
3. Inserte el alambre de la parte No.23.

Ilustr. 9

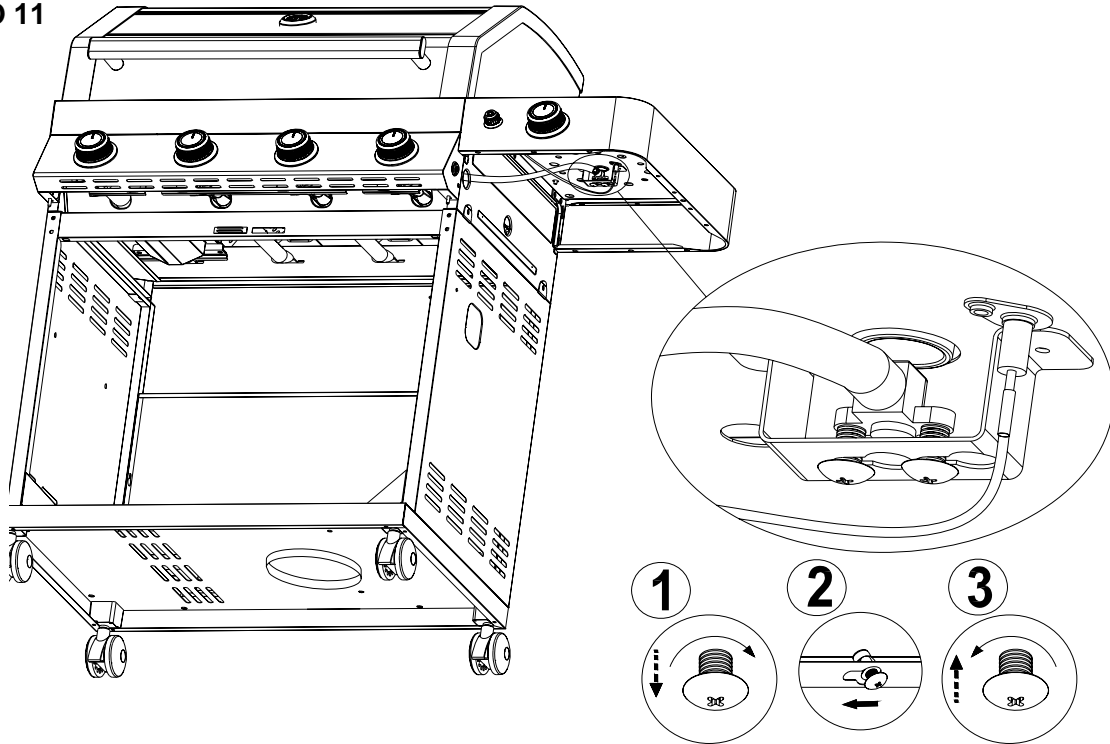
PASO 10



1. Inserte la parte No.30, No.31 parte, No.32 parte y No.33 parte como se muestra en la figura.
2. Inserte el cable como muestra la figura.

Ilustr. 10

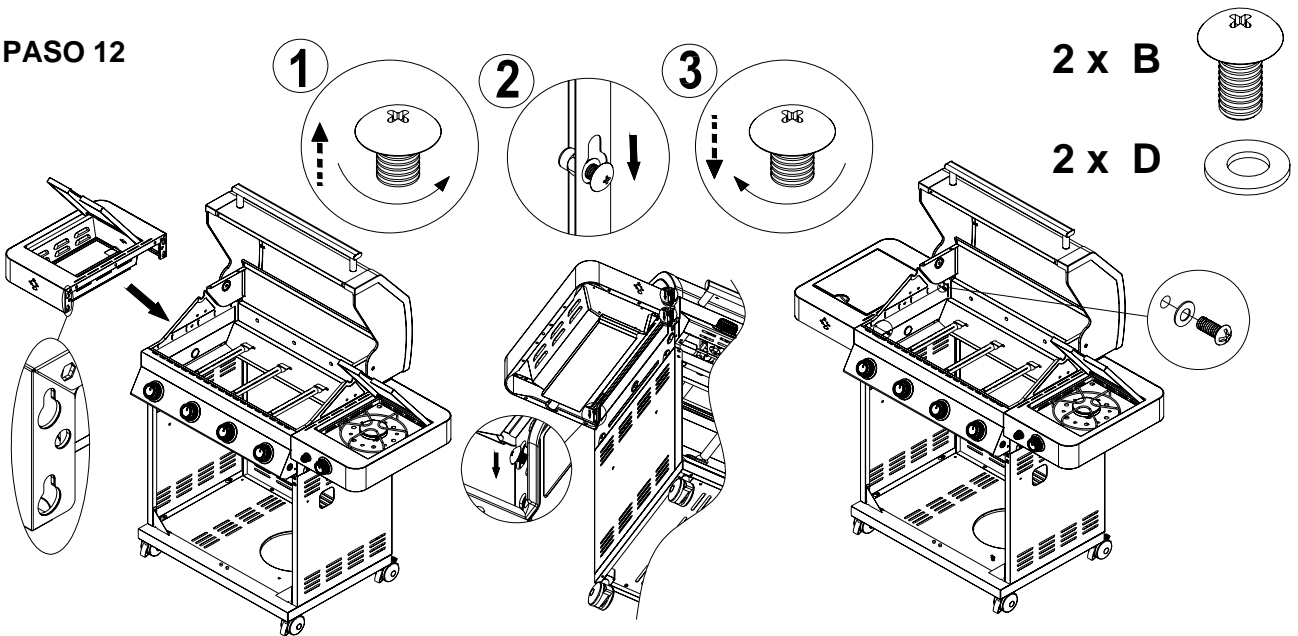
PASO 11



Desatornille a la mitad el tornillo en la parte No.27, luego póngalo en el agujero de la parte No.22 y atorníllelo bien.

Ilustr. 11

PASO 12



1) Desatornille a la mitad los tres tornillos grandes en el armazón, luego ponga la parte No.67 en los agujeros que le corresponden y atorníllelo bien.

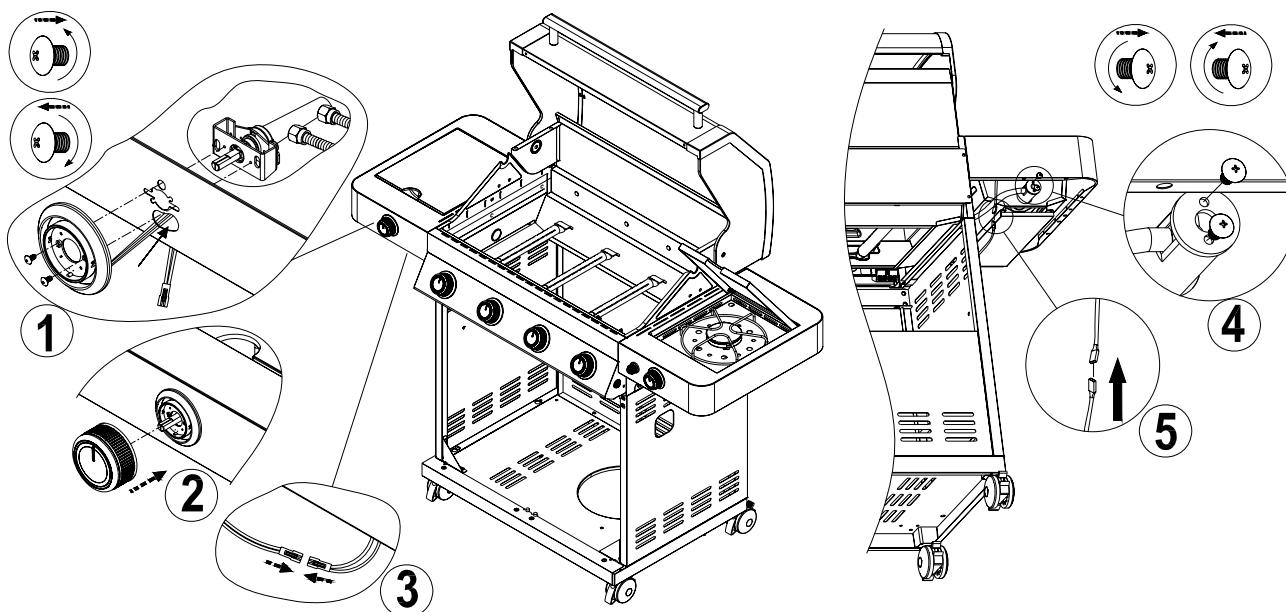
Ilustr. 12.1

2) Atornille bien la parte No.67 con tornillo B y separador D dentro del armazón

Ilustr. 12.2

Ilustr. 12.3

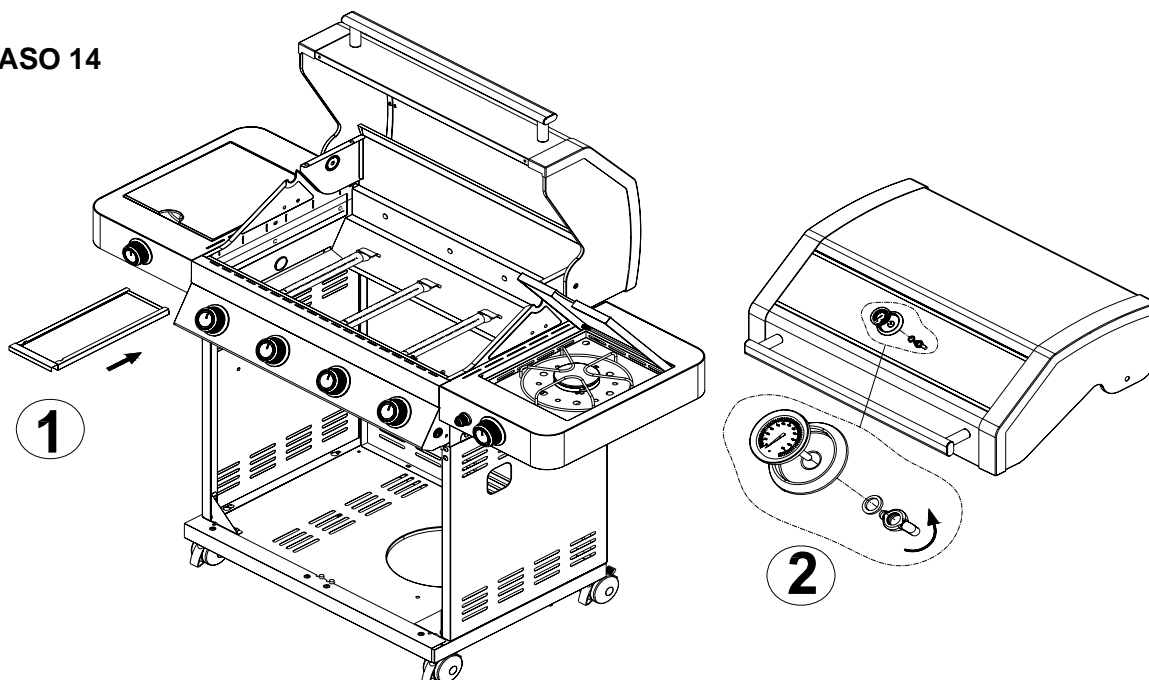
PASO 13



1. Inserte la parte No.72, la parte No.31, la parte No.32 y la parte No.33 como se muestra en la figura. (Ilustr.13.1)
2. Inserte la parte No.27 como muestra la figura. (Ilustr.13.2)
3. Inserte el cable como muestra la figura. (Ilustr.13.1/Ilustr.13.2)

Ilustr. 13

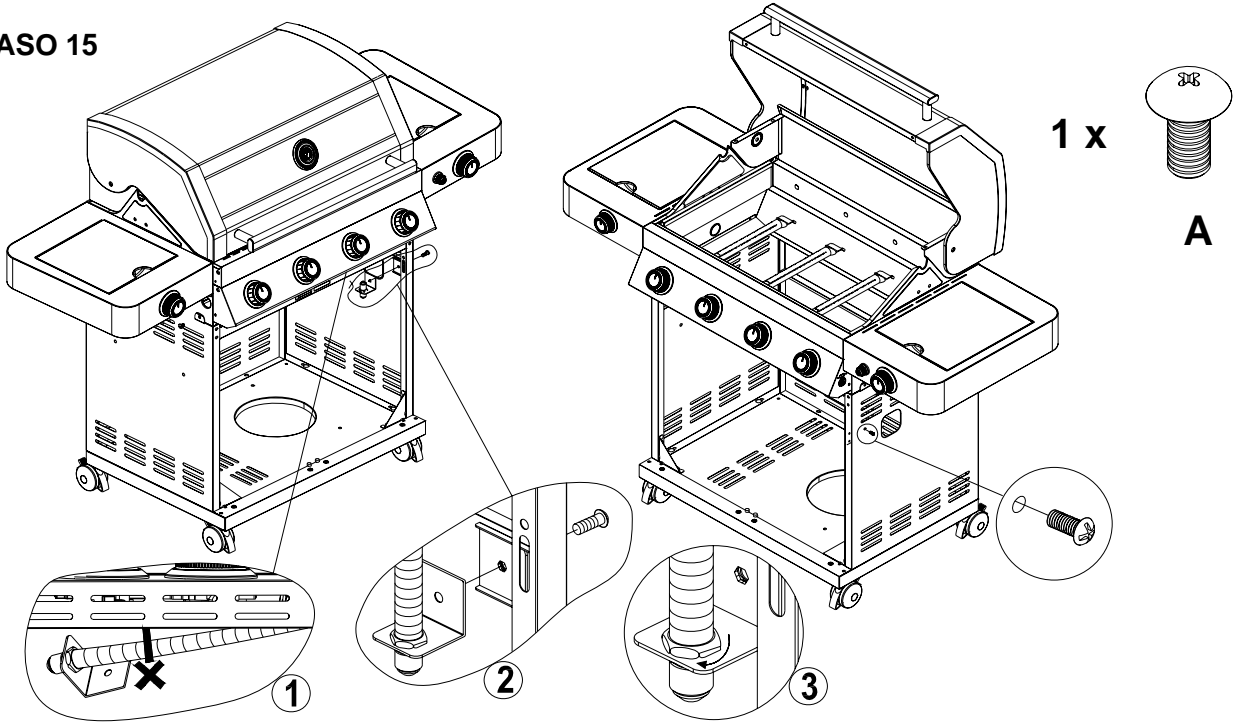
PASO 14



1. Ponga la parte No.66 debajo de la hornilla para abrazar.
2. Coloque la parte No.2 parte 3 en la tapa principal.

Ilustr. 14

PASO 15

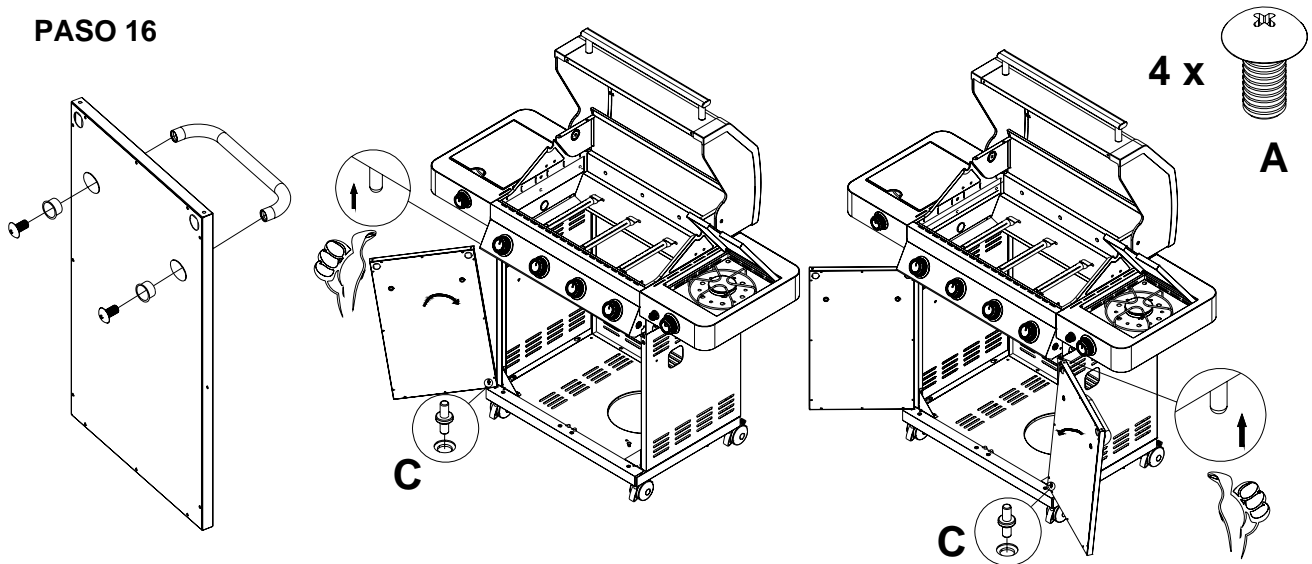


Fije la parte No.58 con un tornillo A.

Ilustr. 15.1

Ilustr. 15.2

PASO 16



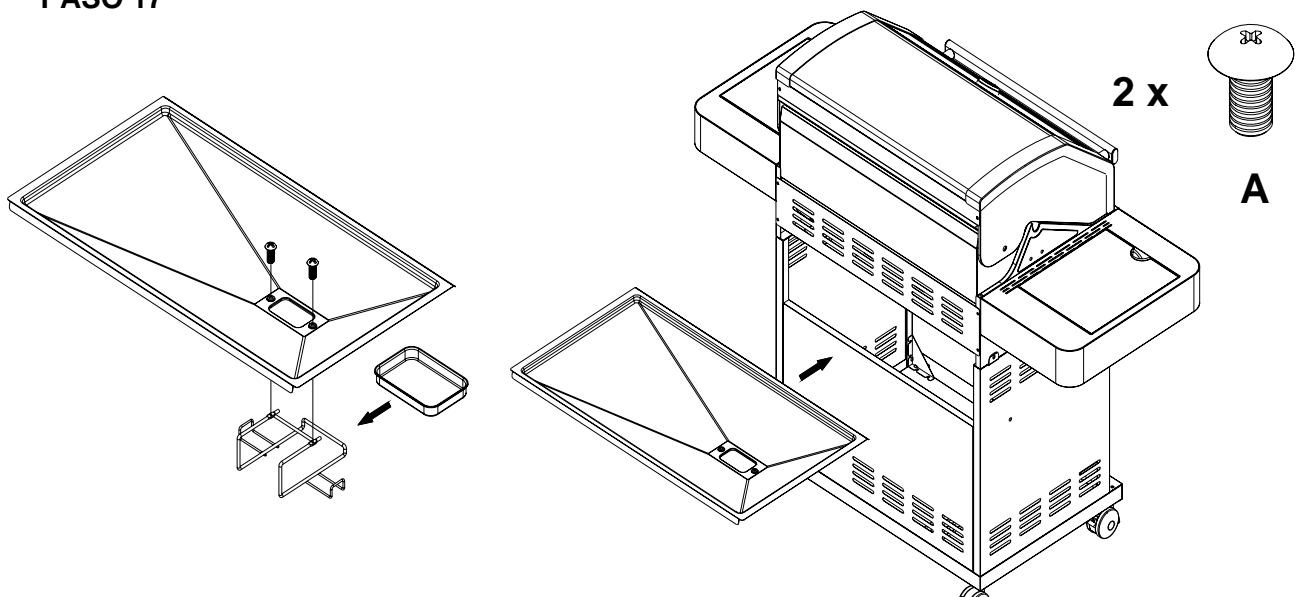
- 1) Monte la partes No.50 en la parte No.51 con tornillos A. (Ilustr. 16.1)
- 2) Ponga la parte C en el agujero que le corresponde en el panel del fondo. (Ilustr. 16.2)
- 3) Ponga la parte No.51 en la parte C. (Ilustr. 16.2)
- 4) Luego, monte la puerta por presionar el eje flexible para arriba.

Ilustr. 16.1

Ilustr. 16.2

Ilustr. 16.3

PASO 17

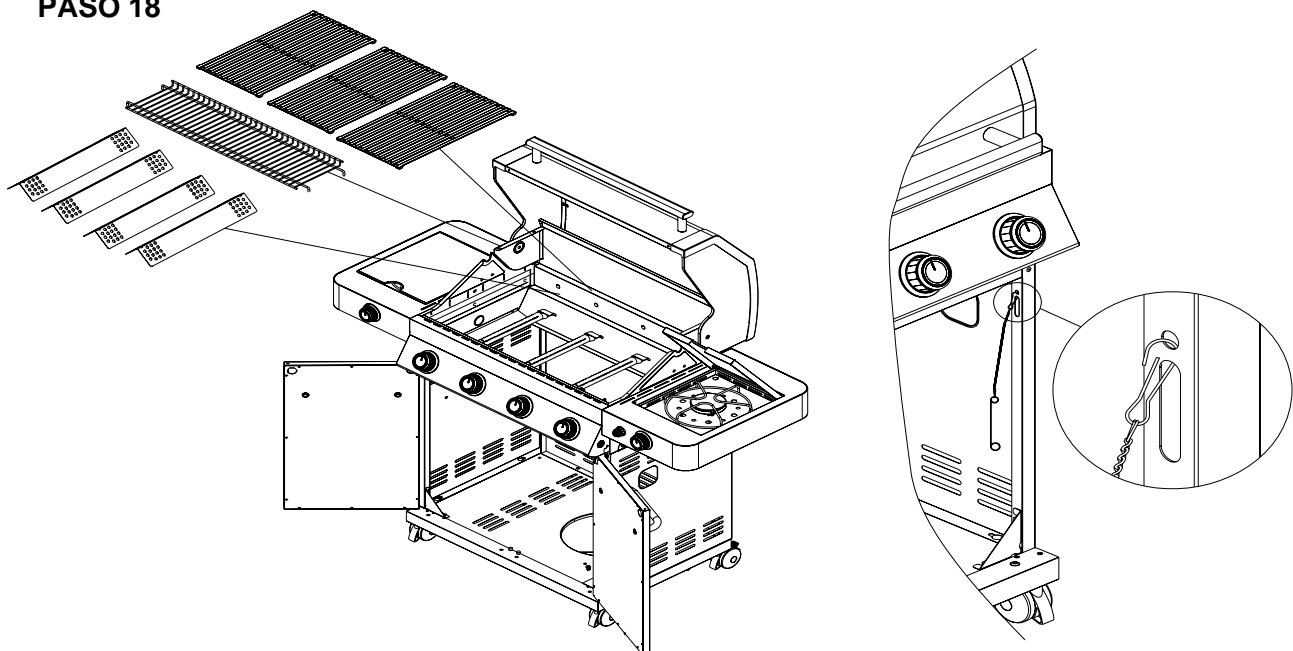


- 1) Monte la parte No.14 en la parte No.16 con dos tornillos A. (Ilustr. 17.1)
- 2) Ponga la parte No.15 adentro de la parte No.14. (Ilustr. 17.1)
- 3) Ponga la bandeja para grasa en el armazón. (Ilustr. 17.2)

Ilustr. 17.1

Ilustr. 17.2

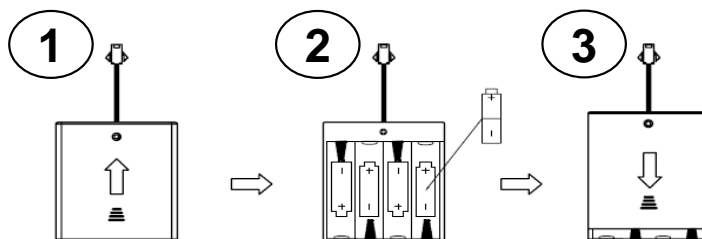
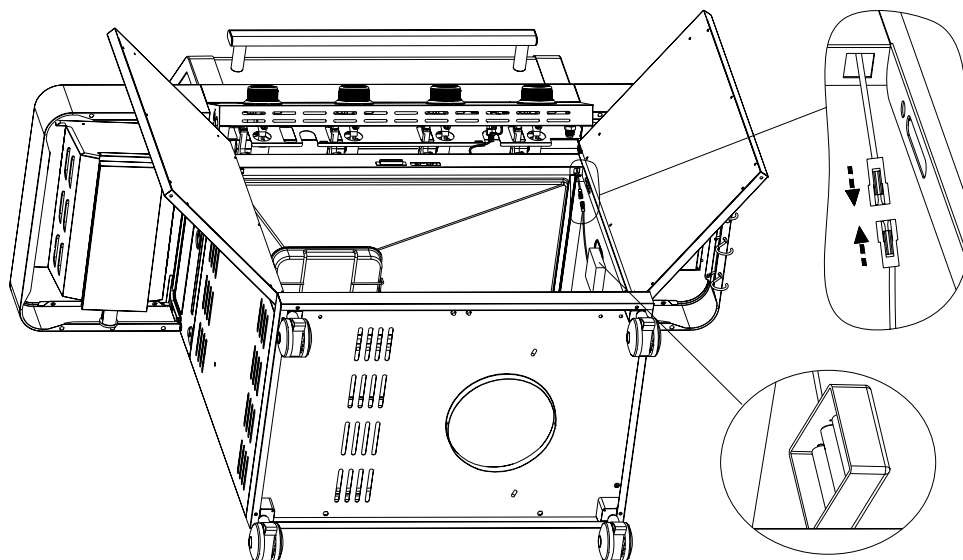
PASO 18



Ponga las partes No.7, No.8 , No.9, y No.49 en los lugares que les corresponden.

Ilustr. 18

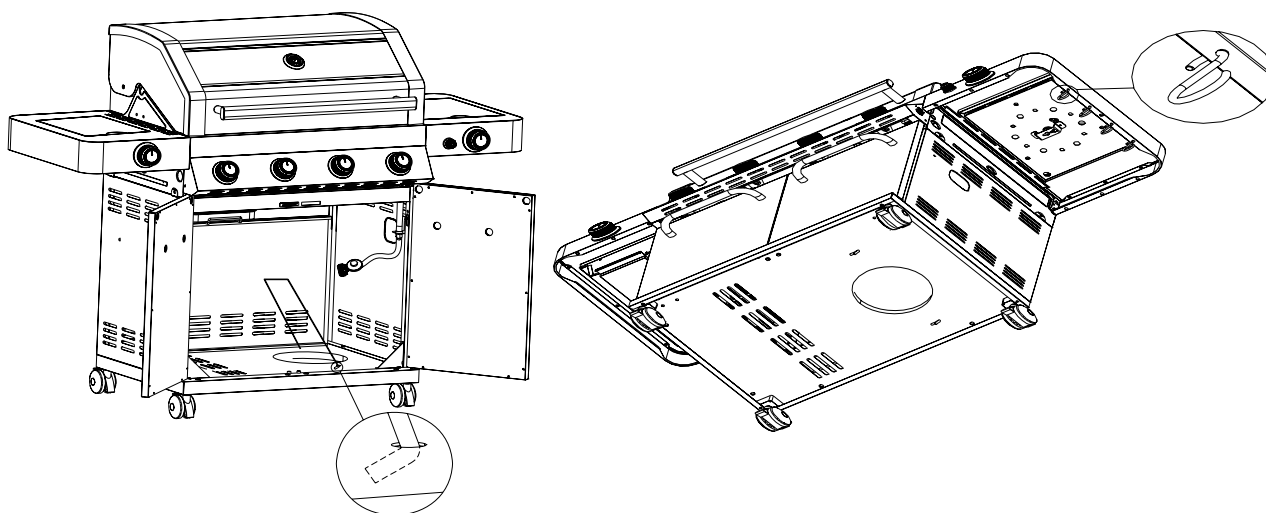
PASO 19



Conecte la parte No.54 a la parte No.41.

Ilustr. 19

PASO 20



- 1) Monte la parte No.48 en el panel del fondo. (Ilustr. 20.1)
- 2) Monte la parte No.26 con la parte No.25. (Ilustr. 20.2)

Ilustr. 20.1

Ilustr. 20.2

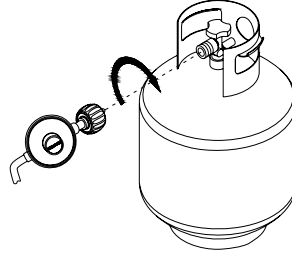
Conexión del Tanque de gas de PL a la parrilla de PL

1. Coloque el anillo del pie del tanque de 20 lb en el agujero del panel inferior. Asegúrese de que la válvula del tanque esté en posición "OFF". (Ilustr.22).
2. Inspeccione la válvula del tanque para asegurar que tenga las roscas externas adecuadas para encajar el conjunto suministrado de manguera y regulador.
3. Asegúrese de todas las válvulas de los quemadores estén en posición OFF.
4. Inspeccione las salidas de conexiones de las válvulas, y el conjunto del regulador. Inspeccione si hay daños o basura. Saque toda basura. Verifique si la manguera está dañada. No use nunca equipos dañados o enchufados.
5. Al conectar el conjunto de regulador y manguera a la válvula del tanque, ajuste manualmente la tuerca rápida de acople en sentido horario hasta que se detenga (Ilustr.21) No use una llave para ajustarla, ya que esta podría dañar la tuerca rápida de acople y crear condiciones peligrosas.
6. Abra completamente la válvula del tanque (en sentido antihorario). Use una solución de agua jabonosa para inspeccionar en todas las conexiones si hay fugas antes de intentar encender la parrilla. Si se encuentra una pérdida, cierre la válvula del tanque y no use la parrilla hasta que la fuga sea reparada.

PRECAUCIÓN: Cierre el suministro de gas licuado en el cilindro cuando la unidad no esté en uso.

Ilustr. 21

Conexión del regulador

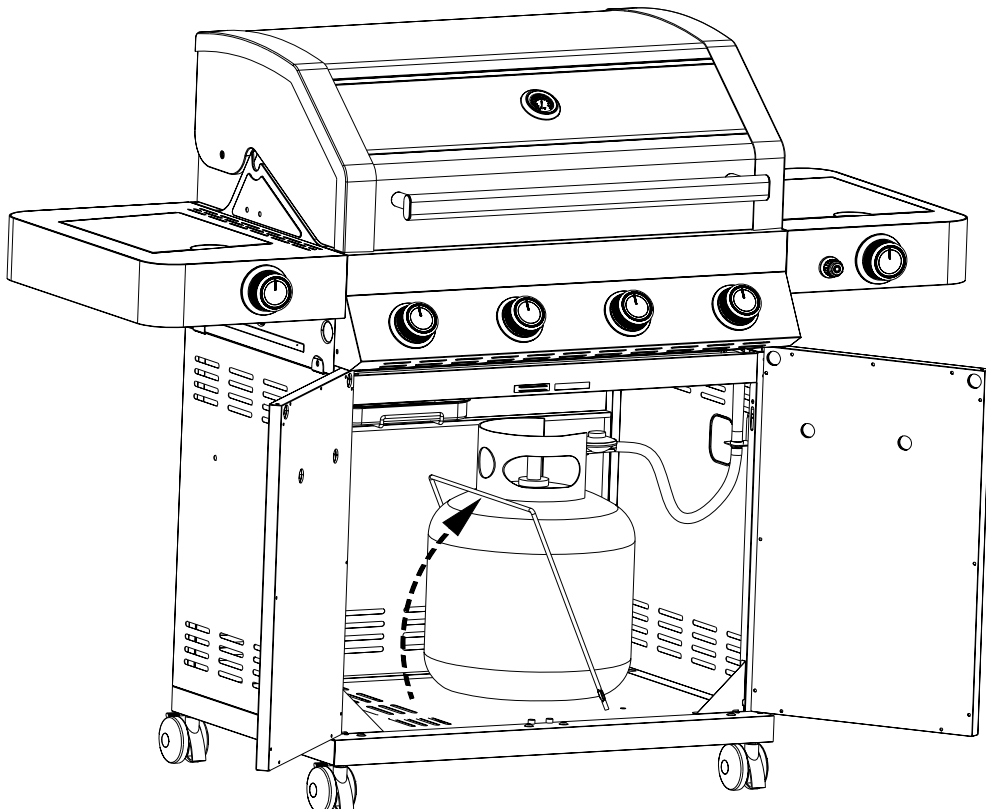


¡Felicitaciones!

Su parrilla a gas está lista para su uso. Antes del primer uso y al comienzo de cada temporada (y cada vez que cambie el tanque de gas de PL):

1. Lea todas las instrucciones de seguridad, encendido y uso atentamente.
2. Inspeccione los orificios de la válvula de gas, los tubos de los quemadores y las salidas de los quemadores para ver si existen obstrucciones.
3. Realice una inspección de fugas según las instrucciones que se encuentran en esta página del manual.

Ilustr. 22



Inspección para fugas de gas de PL

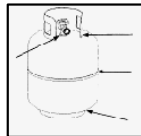
No haga nunca esta prueba con una llama. Antes del primer uso, al comienzo de cada temporada, o cada vez que cambie su tanque de gas de PL verifique si existen fugas.

1. Haga una solución suave de jabón/agua al 50/50.
2. Gire las perillas de control a la posición APAGADO, luego gire hasta ENCENDIDO en el tanque de suministro.
3. Aplique la solución jabonosa con un pincel limpio a todas las conexiones de gas. Ver abajo. Si aparecen burbujas en la solución las conexiones no están bien selladas. Inspeccione cada conexión y ajuste o repare según sea necesario.

Inspección de fugas en la conexión de gas



4. Si tiene una fuga de gas que no puede reparar, cierre el suministro de gas en su fuente, desconecte la cañería de gas de la parrilla y llame al 1-888-980-4933 o a su vendedor de gas para pedir ayuda.
 5. Aplique también la solución jabonosa a las suturas del tanque. Ver abajo. Si aparecen burbujas, cierre el tanque y no lo use ni lo mueva. Contacte un proveedor de gas PL o a los bomberos para pedir ayuda.
- Inspección de fugas de gas del tanque



Instrucciones para Prender la Parrilla

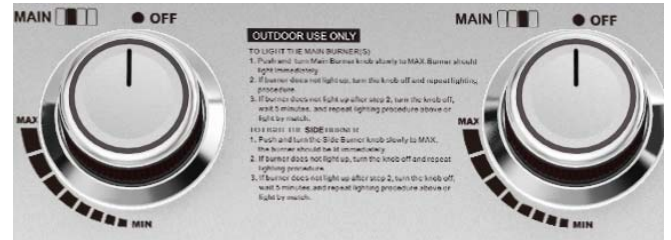
Instrucciones para prender las hornillas principales

1. No fume mientras enciende la parrilla o inspecciona las conexiones de suministro de gas.
2. Asegúrese de que el tanque de gas de PL esté lo suficientemente lleno.
3. Asegúrese que todas las conexiones de gas estén ajustadas seguramente.
4. Abra el suministro de gas.
5. Abra la tapa principal de la parrilla y la tapa del quemador lateral.
6. Pulse y gire la perilla del quemador principal lentamente hasta ENCENDER/ALTO y al mismo tiempo, mantenga pulsado el botón de encendido electrónico durante 3 a 5 segundos para encender el quemador.



ADVERTENCIA

Si no abre la tapa de la parrilla durante el procedimiento de encendido podría causarse un fuego o explosión que cause lesiones serias, la muerte o daños a la propiedad.



7. Para encender los quemadores, gire la perilla correspondiente hasta ENCENDER/ALTO. Al mismo tiempo, mantenga pulsado el botón de encendido electrónico durante 3 a 5 segundos para encender el quemador. Ajuste las perillas hasta la posición deseada.
8. Si el quemador no se enciende después de 5 segundos, gire la perilla a la posición APAGADO. Cierre el tanque de PL (APAGADO) y espere 5 minutos para que el gas se disipe. Luego, abra el suministro de gas (ENCENDIDO) y repita el paso 6.
9. Si el quemador no se enciende, ver Encendido con fósforo y "Si la parrilla todavía no se enciende" en la página siguiente.

USO DEL QUEMADOR LATERAL

Inspeccione la manguera de suministro de gas antes de abrir el gas (ENCENDIDO). Si hay muestras de cortes, desgaste o raspadura, debe ser reemplazada antes de usarse. No use el quemador lateral si siente olor a gas. **ADVERTENCIA: Al encender el quemador, mantenga siempre su rostro y su cuerpo lo más alejados posible de éste.**

INSTRUCCIONES DE ENCENDIDO DE LA PARRILLA PARA EL QUEMADOR LATERAL

1. Abra completamente la tapa del quemador lateral.
2. Empuje y gire la perilla del quemador lateral hasta la posición ENCENDER/ALTO. Empuje y mantenga el botón de encendido electrónico durante 3 a 5 segundos para encender el quemador.
3. Si el quemador no se enciende después de 5 segundos, gire la perilla de control a APAGADO. Luego gire hasta la posición "APAGADO" en el tanque de PL y espere 5 minutos hasta que el gas se disipe. Gire el gas hasta la posición ENCENDIDO y repita el paso 2.
4. Si el quemador no se enciende, ver Encendido con fósforo y "Si la parrilla todavía no se enciende" en la página siguiente.





ADVERTENCIA

No se incline **nunca** sobre el área de cocción de la parrilla mientras que la enciende. Mantenga su rostro y su cuerpo a una distancia segura (al menos 18 pulgadas) desde la superficie de la rejilla de cocción cuando encienda con fósforo.

Encendido manual de la parrilla con un fósforo

1. Tome la varita de encendido manual
2. Inserte un fósforo en la vara de encendido.
3. Siga los pasos 1 a 5 del Procedimiento Básico de Encendido.
4. Encienda el fósforo y extienda la vara de encendido sobre la superficie de la rejilla de cocción.
5. Gire la perilla de control a la posición ALTO para liberar el gas. El quemador debe encenderse inmediatamente.



ADVERTENCIA

Si hay una llamarada en o alrededor de los tubos del quemador, siga las instrucciones de abajo. La no observación de las instrucciones indicadas puede resultar en un incendio o explosión que podrían causar serios daños personales, la muerte o daños a la propiedad.

- Cierre completamente el suministro de gas a la parrilla a gas.
- Gire las perillas de control a la posición APAGADO.
- Apague cualquier llama con un extintor adecuado.
- Abra la cubierta de la parrilla.
- Una vez que la parrilla se haya enfriado, limpie los tubos de los quemadores y los quemadores siguiendo las instrucciones que se hallan en la página 15.

Si la parrilla todavía no se enciende

1. Inspeccione el suministro de gas y las conexiones para ver si hay pérdidas. Verifique si todas las conexiones de cables están firmes.

2. Repita el procedimiento básico de encendido. Si su parrilla todavía no funciona, cierre el gas en la fuente, gire las perillas de control hasta la posición APAGADO, y luego verifique los siguientes:

- Mala alineación de los tubos de los quemadores sobre los orificios

Corrección: Posicione nuevamente los tubos de los quemadores sobre los orificios

- Obstrucción en el tubo de gas

Corrección: Quite la línea de gas de la parrilla. ¡No fume! Abra el suministro de gas por un segundo para soplar cualquier obstrucción en la línea de gas. Cierre el suministro de gas en la fuente y reconecte la línea de gas a la parrilla.

- Orificio taponado

Corrección: Saque los quemadores de la parrilla, levante cada quemador con cuidado, lejos del orificio de la válvula de gas. Saque el orificio de la válvula de gas y limpie con cuidado cada obstrucción con un alambre fino. Instale nuevamente todos los orificios, quemadores y componentes de cocción.

3. Si sospecha que hay una obstrucción en las válvulas de gas, llame al servicio de reparaciones al 1-888-980-4933 .

4. Si la parrilla todavía no se enciende, puede que necesite purgar el aire de la cañería de gas o reiniciar el dispositivo de regulación del exceso de flujo de gas.

Nota: Este procedimiento de purgado debe hacerse a cada vez que se conecte un nuevo tanque de gas de PL a la parrilla.

Para purgar el aire de su línea de gas y/o reiniciar el dispositivo regulador de flujo de exceso de gas:

- Gire la perilla de control a la posición APAGADO.
- Cierre el gas en la válvula del tanque.
- Desconecte el regulador del tanque de gas de PL.
- Deje la unidad sola durante 5 minutos.
- Reconecte el regulador al tanque de gas de PL.
- Gire la válvula del gas lentamente hasta la posición $\frac{1}{4}$ a $\frac{1}{2}$.
- Abra la tapa de la parrilla.
- Gire las perillas hasta la posición APAGADO. Pulse y gire cualquier perilla de control hasta la posición ALTO.
- Gire las perillas de control hasta la posición ALTO hasta que todos los quemadores se enciendan
- Puede comenzar a usar la parrilla

5. Si ha hecho todas las inspecciones o correcciones y todavía tiene preguntas sobre cómo usar su parrilla a gas, llame a la **Línea de Asistencia para Servicio al Cliente 8am - 5pm PST, de lunes a viernes al 1-888-980-4933**

Limpeza y Mantenimiento

Para asegurar que la unidad funcione bien, sugerimos la limpieza y mantenimiento.

Limpeza de las parrillas de cocinar

Sugerimos que lave las rejillas de cocción con un jabón suave en una solución de agua caliente. Use un paño de limpieza o un cepillo suave para limpiar las rejillas de cocción.

Limpeza de los difusores de calor

Lave periódicamente los moderadores de llama con una solución de jabón y agua caliente. Use un cepillo suave para quitar residuos que se hayan pegado muy firmemente. Los difusores de calor deben estar secos antes de reinstalarlos.

Limpeza de la bandeja para grasa

La bandeja para grasa debe vaciarse y limpiarse periódicamente y lavarse con una solución suave de detergente y agua caliente. Puede colocarse una pequeña cantidad de arena o arena para gatos en la parte inferior de la bandeja de grasa para absorber la grasa. Compruebe la bandeja de grasa con frecuencia, no permita que el exceso de grasa se acumule y desborde de la bandeja de grasa.

Limpeza anual del interior de la parrilla

El quemado de los restos de la parrilla hará que esté lista para el siguiente uso. Sin embargo, déle una vez por año a toda la parrilla una limpieza total para mantenerla en condiciones de uso óptimas. Siga estos pasos.

1. Asegúrese de todas las válvulas de los quemadores estén en posición APAGADO.
2. Cierre la válvula del tanque de gas de PL a la posición APAGADO.
3. Separe el conjunto de manguera y regulador de gas de PL de su parrilla a gas. Inspeccione si hay daños y reemplace si es necesario con el número de repuesto del fabricante que se encuentra en la lista de partes.
4. Saque y limpie los difusores de calor, las rejillas de cocción y los quemadores de la parrilla.
5. Cubra cada orificio de válvula de gas con papel de aluminio.
6. Cepille la parte interior y el fondo de la parrilla con un cepillo de nylon, y lave con una solución de jabón suave y agua tibia. Enjuague minuciosamente y deje secar.
7. Retire el papel de aluminio, a continuación, vuelva a instalar difusores de calor, y las rejillas de cocción.
8. Reconecte a la fuente de gas y observe si la llama del quemador funciona correctamente.

Limpeza de la superficie exterior

•Le sugerimos limpiar su parrilla con una solución de jabón suave y agua caliente. Puede usar un paño de limpieza o una esponja para este proceso. No use abrasivos o un cepillo que puede remover la terminación durante el proceso de limpieza.

Limpeza de las superficies exteriores de acero inoxidable:

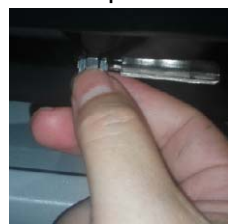
•La intemperie y el calor fuerte pueden causar que las superficies exteriores en inoxidable tomen un color amarronado. Los aceites de máquinas usados en el proceso de manufacturación del acero inoxidable también pueden causar este color amarronado. Use un limpiador de acero inoxidable para limpiar las superficies de acero inoxidable de su parrilla. No use nunca limpiadores abrasivos o cepillo de fregar ya que éstos podrían rayar y dañar la parrilla.

Limpeza de Tubos y Salidas de Quemadores

Para disminuir las posibilidades de llamaradas, siga el procedimiento indicado abajo al menos una vez por mes a fines del verano o comienzos del otoño, cuando las arañas están más activas o cuando su parrilla no haya sido usada por un periodo de tiempo.

1. Cierre todas las válvulas y la válvula del tanque de gas a la posición APAGADO.
2. Separe el conjunto del regulador de gas de PL de la parrilla a gas.
3. Saque la rejilla de cocción, los difusores de calor, y la bandeja de grasa de la parrilla.
4. Saque los tornillos de la parte inferior de cada quemador y levante los quemadores y aléjelos del orificio de la válvula del gas.
5. Con un alambre doblado en forma de gancho, una manguera de aire o un cepillo para botellas, páselos por el tubo del quemador y adentro varias veces para sacar la basura.
6. Coloque nuevamente los quemadores como se muestra en la ilustración de abajo.

Step 1



Step 2



Step 3



ADVERTENCIA

La ubicación del tubo del quemador con respecto al orificio es vital para un uso seguro. Inspeccione para asegurarse que el orificio esté adentro del tubo del quemador antes de usar la parrilla a gas. Si el tubo del quemador no encaja sobre el orificio de la válvula, el encendido del quemador puede causar una explosión y un incendio.

No importa qué procedimiento de limpieza use para el quemador, le recomendamos que siga todos los pasos siguientes para ayudar a prolongar la vida del quemador.

1. Use un paño de fibra o un cepillo de nylon para limpiar toda la superficie externa de cada quemador hasta que quede sin restos de comida o suciedad.
2. Limpie los orificios tapados con un alambre duro, por ej. un sujetapapeles abierto.

3. Verifique si hay daños (rajaduras o agujeros) en los quemadores. Si estos existieran, pida e instale uno nuevo. Después de la instalación asegúrese que los orificios de la válvula de gas estén ubicados correctamente dentro de las puntas de los tubos del quemador.



ADVERTENCIA

Puede que las arañas y los insectos hagan nido dentro de los quemadores de la parrilla e interrumpen el flujo normal del gas. Esta condición peligrosa puede causar un incendio detrás del panel de la válvula, dañando así la parrilla y haciéndola insegura para su operación. Inspeccione la parrilla al menos dos veces por año.

Resolución de problemas básicos

ANTES DE LLAMAR AL SERVICIO

Si la parrilla no funciona de modo apropiado, use la lista de inspección siguiente antes de llamar al servicio.

Debe inspeccionar el quemador al menos una vez por año, o inmediatamente después que ocurra una de las condiciones siguientes:

PROBLEMAS	QUÉ HACER?
La parrilla no se enciende cuando se gira la perilla de control a la posición ON.	Inspeccione si el gas de PL está vacío.
	Limpie los cables y/o el electrodo frotando alcohol y un pedazo de algodón limpio.
	Limpie con paño seco.
	Asegúrese que el cable esté conectado al juego del electrodo.
	Los otros quemadores funcionan?
La llama del quemador es amarilla o naranja y hay olor a gas.	Verifique si los otros quemadores funcionan. Si funcionan, inspeccione el orificio del gas en el quemador que está funcionando mal para ver si hay alguna
	Lea "Limpiar los tubos de quemadores y las salidas de los quemadores" en pág. 15. Si el problema todavía existe, llamar al 1-888-980-4933.
El calor es muy bajo y la perilla está en ALTO	Está la manguera de gas doblada o retorcida?
	La parrilla está en un área sucia?
	El suministro de gas disponible es el adecuado?
	Si hay sólo un quemador bajo, asegúrese que el orificio y el quemador estén limpios.
	El suministro de gas o la presión de gas son bajos?

Instrucciones para Cocinar



ADVERTENCIA

No deje la parrilla sin vigilancia.

Su parrilla caliente mucho. No se incline sobre el área de cocción durante el uso de la parrilla. No toque la superficie caliente ni la caja de la parrilla. La cubierta ni ninguna otra parte de la parrilla mientras que la parrilla esté en uso, o hasta que la parrilla se haya enfriado después del uso. El incumplimiento de estas instrucciones puede causar serias lesiones físicas.

Quemado de la parrilla

Antes de usar la parrilla a gas por primera vez, “queme” la parrilla para eliminar cualquier olor o sustancias extrañas. Encienda los quemadores, baje la tapa, y use la parrilla en posición HIGH durante 3 a 5 minutos.

Temperaturas para Cocinar

Posición alta: Use este ajuste para un rápido calentamiento, para chamuscar bistés, o para quemar residuos de comida que queden en la parrilla después de la cocción. No use **nunca** la posición HIGH para cocinar de largo tiempo.

Posición Media a Baja: La mayoría de las recetas son para las posiciones media a baja, incluyendo las recetas ahumadas, la carne asada, y los cortes magros como el pescado.

NOTA: Las posiciones de la temperatura variarán según la temperatura y la cantidad de viento que haya.

Cocina directa

El método de cocción directa puede ser usado con las rejillas de cocción suministradas y la comida colocada directamente sobre los quemadores encendidos de la parrilla. **La cocina directa requiere que la tapa de la parrilla esté abierta.** El método es ideal para el chamuscado y siempre que quiera asar carnes, aves o pescados con llamas vivas. Esta manera también es ideal para la fritura en abundante aceite y para el ahumado, ya que éstos requieren un calor directo.



ADVERTENCIA

No debe colocar papel de aluminio en el fondo de la parrilla, ni arena ni cualquier otra sustancia que restrinja el flujo de grasa hacia la bandeja de grasa.

El incumplimiento de las instrucciones indicadas puede resultar en un incendio o explosión que podrían causar serios daños personales, la muerte o daños a la propiedad.

Cocinar indirecta

Para una cocción **indirecta**, la comida debe colocarse en el costado izquierdo o derecho de la parrilla con el quemador encendido en el lado opuesto. **La cocción indirecta debe hacerse con la tapa bajada.**

Llamaradas

Las grasas y los jugos que caen de la carne asada pueden causar llamaradas súbitas. Como las llamaradas le dan un sabor y color especial a las comidas cocinadas sobre llama, deben ser aceptadas en medida. Sin embargo, las llamaradas sin control pueden arruinar la comida.



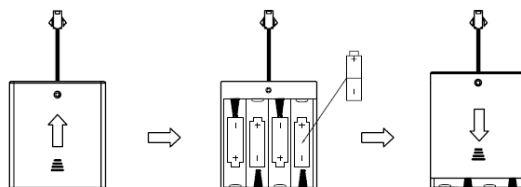
PRECAUCIÓN

Para evitar los daños en los quemadores adyacentes, la protección contra calor de la caja del fogón debe insertarse firmemente en su lugar cuando se use un Quemador asador.

Replacing the Battery

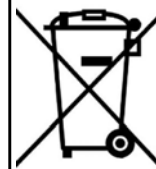
Si la luz LED no funciona, tendrá que reemplazar las pilas.

- 1) Encuentre la caja de pilas. Ábrala.
- 2) Ponga cuatro pilas tamaño AA en su lugar correcto en la caja
- 3) Cierre la tapa.



DESECHO APROPIADO DE ESTE PRODUCTO

Esta etiqueta indica que este producto no se debe echar a la basura con la basura doméstica. Para evitar daños al medio ambiente y a la salud humana, hay que reciclarlo responsablemente para promover el reuso sostenible de recursos naturales. Para devolver su aparato, por favor hable con un representante de la tienda donde usted lo compro. Él puede tomar el producto para reciclarlo de una manera segura.



Carta para hacer asados

ADVERTENCIA: Para garantizar que son seguros para comer, los alimentos deben cocinarse a las temperaturas mínimas interiores que se enumeran en el cuadro siguiente

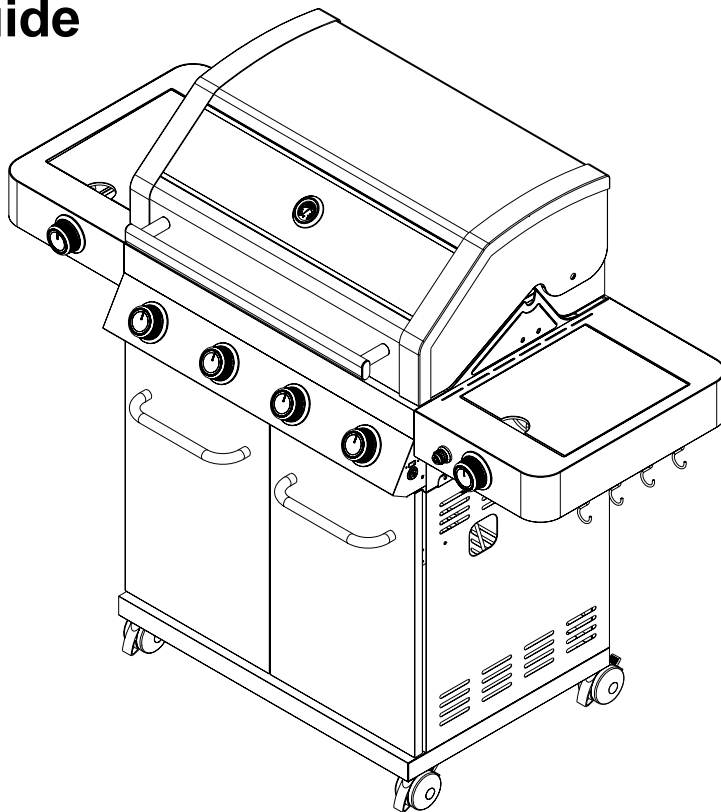
Temperaturas Internas Mínimas para la Seguridad, del USDA*	
Pescado	145°
Cerdo	160°
Recetas que contengan huevos	160° F
Bistés o asados de res, ternera o cordero	145° F
Carne molida de res, ternera o cordero	160° F
Aves enteras (pavo, pollo, pato, etc.)	165° F
Aves, molida o en pedazos (pechugas, etc.)	165° F

COMIDA	Peso o espesor	Temperatura	Tiempo	Instrucciones especiales y consejos
Verduras	No se aplica	Medio	8 a 20 minutos	Corte las verduras y unte con manteca o margarina. Envuelva apretadamente en papel de aluminio de alta resistencia. Ase girando ocasionalmente.
Papas	Entera	Medio	40 a 60 minutos	Envuelva individualmente en papel de aluminio de alta resistencia. Cocine girando ocasionalmente.
Carne/bisté	1/2 a 3/4 pulg	Alta-mediana	4 a 15 minutos	Pre caliente la parrilla de 15-20 minutos, ase los bistés cada lado durante dos minutos. A continuación ase cada lado de 3 a 5 minutos o hasta obtener el punto deseado.
Carnes molidas	1/2 a 3/4 pulg	Medio	8 a 15 minutos	Gire, rotando una vez cuando los jugos salgan a la superficie o hasta lograr el punto de cocción deseado. No deje las hamburguesas sin vigilancia, puede ocurrir una llamarada rápidamente.
Costillas	1/2 o costillar completo	Medio	20 a 40 minutos	Ase girando ocasionalmente. Durante los últimos minutos pincele con salsa barbacoa, girando varias veces.
Salchichas	No se aplica	Medio	5 a 10 minutos	Ase girando la parrilla cuatro veces. 2-4 minutos sobre cada uno de los cuatro lados.
Aves, cortadas	1 / 4 a 1 / 2 libras	Bajo o mediano	20 a 40 minutos	Ase girando ocasionalmente. Durante los últimos minutos pincele con salsa barbacoa, girando varias veces.
Aves entera	2 a 3 libras	Bajo o	1 a 1-1/2 hora	Use el pie para aves y cepille frecuentemente según lo desee
		Medio	40 a 60 minutos	Use el pie para aves y cepille frecuentemente según lo desee
Pescado	3/4 a 1 pulg.	Medio	8 a 15 minutos	Ase girando una vez hasta lograr el punto deseado. Pincele con manteca derretida, margarina o aceite.

INSTRUCTIONS D'ASSEMBLAGE & MODE D'EMPLOI



Barbecue à gaz propane liquide



- Pièces
- Assemblage
- Règles de sécurité
- Utilisation et entretien
- Dépannage



AVERTISSEMENT

Lisez attentivement ce manuel de l'utilisateur et assurez-vous que le barbecue à gaz est correctement assemblé, installé et entretenu. Le non-respect de ces consignes de sécurité peut provoquer des blessures et/ou des dégâts matériels. Ce barbecue à gaz doit être utilisé à l'extérieur uniquement et ne doit pas être utilisé dans des camping-cars ou sur des bateaux.

Note destinée à l'installateur

Laissez ce manuel de l'utilisateur auprès de l'utilisateur après la livraison et/ou l'installation.

Note destinée à l'utilisateur

Rangez ce manuel de l'utilisateur dans un endroit pratique pour une consultation future.

Service après-vente:

Pour commander des pièces, composez le:
1-888-980-4933

MFG No.: 35633

UPC No.: 860448000396

Vérifiez que le dispositif de raccordement de la soupape de la bonbonne s'adapte correctement au dispositif de raccordement fixé au tuyau d'arrivée du régulateur de pression.

Sommaire

Garantie-----	2
Consignes de sécurité -----	2~4
Liste du matériel -----	5
Schéma des pièces -----	6
Liste des pièces -----	7
Instructions d'assemblage-----	8~18
Instructions d'allumage-----	18~20
Nettoyage et entretien -----	21~22
Dépannage-----	22
Instruction de cuisson-----	23
Tableau de cuisson -----	24

Garantie du barbecue

Garantie totale d'un an du barbecue

Pour toute défectuosité matérielle ou de fabrication du barbecue moins d'un an à partir de la date d'achat, appelez au 1-888-980-4933 pour arranger la réparation gratuite (ou le remplacement si la réparation s'avère impossible).

8 ans de garantie limitée des brûleurs en acier inoxydable

Tout brûleur en acier inoxydable rouillé sera remplacé gratuitement pendant 3 ans à partir de la date d'achat. Après la première année et à partir de la date d'achat, les frais de main d'œuvre seront à votre charge si vous souhaitez l'installer.

La garantie n'inclut pas le remplacement des piles des allumeurs, la peinture, la décoloration ou l'oxydation des pièces qui sont des pièces expansibles pouvant s'user normalement pendant la période de garantie ou sous des conditions résultant d'une usure normale, d'un accident ou d'un entretien inapproprié.

La garantie sera annulée en cas d'utilisation commerciale ou locative du barbecue.

La garantie est applicable seulement si le barbecue est utilisé aux Etats-Unis.

Cette garantie vous confère des droits spécifiques ainsi que d'autres droits pouvant varier d'un état à un autre.

Consignes de sécurité

AVERTISSEMENT

Cette garantie vous confère des droits spécifiques ainsi que d'autres droits qui peuvent varier d'un état à un autre.

AVERTISSEMENT

Le non-respect de ces instructions peut causer un incendie ou une explosion pouvant entraîner des blessures corporelles graves, mortelles ou des dégâts matériels.

AVERTISSEMENT

Le barbecue chauffe rapidement. Ne jamais se pencher par-dessus la surface de cuisson d'un barbecue pendant son utilisation. Ne pas toucher les surfaces de cuisson, le caisson, le couvercle ou les autres pièces du barbecue pendant son utilisation ou jusqu'à ce que le barbecue à gaz ait refroidi après utilisation.

Le non-respect de ces instructions peut causer des blessures corporelles graves.

AVERTISSEMENT

1. **Ne pas entreposer ou utiliser des essences ou d'autres liquides ou gaz inflammables à proximité de cet appareil ou tout autre équipement.**
2. **Une bonbonne de GPL non raccordée pour être utilisée ne doit pas être entreposée à proximité de cet appareil ou tout autre équipement.**

DANGER

Si vous sentez une odeur de gaz:

1. **Fermer le gaz au niveau de l'appareil.**
2. **Éteindre les flammes nues.**
3. **Ouvrir le couvercle.**
4. **Si l'odeur persiste, rester à l'écart de l'appareil et appeler immédiatement votre fournisseur de gaz ou les pompiers.**

Codes d'installation du barbecue

L'installation doit être conforme aux règlements locaux ou, en l'absence de règlements locaux, avec le code national relatif aux essences, ANSI Z 223.1/NFPA S4 le code d'installation des gaz naturel et propane, CSA B149.1 ou le code relatif à l'entreposage et la manipulation du gaz propane, B149.2, ou le code relatif aux camping-cars, ANSI A 119.2 et pour camping-cars de série CSA Z240 RV, tels qu'applicables.

Les modèles de barbecue à GPL sont conçus pour être utilisés avec une bonbonne standard de 20 livres. La bonbonne de GPL n'est pas fournie avec le barbecue. Ne jamais raccorder votre barbecue à gaz à une bonbonne de GPL d'une capacité supérieure.

Consignes de sécurité

La taille maximale d'une bonbonne de gaz PL doit être d'environ 12 pouces de diamètre par 18-1/2 de haut.

La bonbonne de GPL doit être équipée d'un dispositif de prévention de trop-plein (O.P.D).

Cette caractéristique de sécurité empêche le débordement de la bonbonne lors de son remplissage, ce qui peut causer un mauvais fonctionnement de la bonbonne de GPL, du régulateur et/ou du barbecue.

La bonbonne de GPL doit être construite et marquée selon les spécifications du Département américain des transports (DOT). Au Canada, la bonbonne de GPL doit être conforme aux normes du Standard National du Canada, CAN/CSA – B339 pour le transport des biens dangereux des cylindres, sphères et tubes.

1. La bonbonne de GPL doit être équipée d'une soupape de fermeture sécurisée avec une extrémité dotée d'une sortie de soupape pour bonbonne d'approvisionnement de GPL compatible avec un dispositif raccordement de type 1. La bonbonne de GPL doit également posséder un dispositif de sécurité doté d'un raccordement direct avec l'espace d'évacuation de la bonbonne.

2. Toujours placer la bonbonne de GPL en position verticale. Le système d'arrivée de la bonbonne doit permettre l'évacuation des gaz.

3. La bonbonne de GPL utilisée doit être pourvue d'une bague pour protéger la soupape de la bonbonne.

Emplacement adéquat et distance de sécurité du barbecue

Ne **jamais** utiliser votre barbecue à gaz dans un garage, sous un porche, un abri, un passage couvert ou n'importe quel autre lieu fermé. Votre barbecue à gaz doit être utilisé **uniquement à l'extérieur**, en respectant une distance d'au moins 24 pouces (61cm) depuis les côtés et l'arrière de toute surface inflammable.

NE PAS utiliser cet appareil sous une surface combustible suspendue.

Ne pas bloquer la circulation de l'air ventilé autour du caisson du barbecue à gaz.

- Cet appareil de cuisson à gaz d'extérieur n'est pas destiné à être installé sur ou dans des camping-cars et/ou des bateaux.

- Ne pas entreposer ou utiliser de l'essence, d'autres gaz ou liquides inflammables à proximité du barbecue à gaz d'extérieur.

- Ne pas bloquer la circulation de l'air en combustion et d'aération. Effectuer cette vérification avant chaque utilisation du barbecue.

- Ne **jamais** raccorder une bonbonne de GPL non homologuée à votre barbecue à gaz. Les éléments du régulateur de gaz fourni avec votre barbecue à gaz sont réglés pour une pression de sortie de 11" colonne d'eau (W.C.) pour un raccordement à une bonbonne de GPL.

- Utiliser uniquement le régulateur et les éléments du tuyau fournis avec votre barbecue à gaz. Les régulateurs et les éléments du tuyau remplacés doivent être identiques à ceux spécifiés dans ce manuel.

- Faire remplir et inspecter à l'œil nu votre bonbonne de GPL par un fournisseur de gaz propane professionnel et la faire certifiée à chaque remplissage.
- Ne pas entreposer une bonbonne de GPL de rechange sous ou à proximité de l'appareil.
- Ne jamais remplir la bonbonne au-delà de 80% de sa capacité. Si ces informations ne sont pas exactement suivies, un incendie entraînant des blessures graves ou mortelles risque de survenir.
- Toujours placer la bonbonne de GPL en position verticale.
- Ne pas entreposer ou utiliser de l'essence ou d'autres gaz et liquides inflammables à proximité de ce barbecue à gaz.
- Ne pas exposer la bonbonne de GPL à une chaleur excessive.
- Ne jamais entreposer une bonbonne de GPL à l'intérieur. Si votre barbecue à gaz est rangé dans un garage ou dans un lieu confiné, débrancher **toujours** d'abord la bonbonne de GPL et l'entreposer à l'extérieur dans un lieu sûr.



- Placer le bouchon anti-poussière sur la soupape d'évacuation de la bonbonne quand elle n'est pas utilisée. Installer uniquement le type de protège-poussière sur la soupape de la bonbonne qui est fourni avec la soupape de la bonbonne. Les autres types de bouchons peuvent provoquer une fuite de propane.
- Les bonbonnes de GPL doivent être entreposées à l'extérieur dans un lieu bien ventilé et hors de portée des enfants. Les bonbonnes de GPL débranchées ne doivent pas être entreposées dans un immeuble, un garage ou n'importe quel autre lieu fermé.
- Le gaz doit être fermé au niveau de la bonbonne d'approvisionnement chaque fois que votre barbecue à gaz n'est pas utilisé.
- Le régulateur de pression et les éléments du tuyau doivent être inspectés avant chaque utilisation du barbecue. En cas d'abrasion excessive, d'usure ou si le tuyau est coupé, il doit être remplacé avant toute nouvelle utilisation du barbecue.
- Mettre le régulateur de gaz à l'écart des surfaces chaudes et de la graisse. Éviter de tortiller inutilement le tuyau. Inspectez à l'œil nu la présence d'éventuelles coupures, craquelures, usure excessive ou autres avaries sur le tuyau avant chaque utilisation. Si le tuyau paraît endommagé, ne pas utiliser pas le barbecue à gaz. Appeler au 1-888-980-4933 pour obtenir de l'aide.
- **Ne jamais** allumer votre barbecue à gaz avec le couvercle rabattu ou avant d'avoir vérifié que les brûleurs sont bien installés sur leur orifice.
- **Ne jamais** laisser les enfants utiliser votre barbecue.



AVERTISSEMENT

Une forte odeur ou un son sifflant de gaz indique la présence d'un problème grave avec votre barbecue à gaz ou la bonbonne de GPL. Le non-respect des consignes ci-dessous peut causer un incendie ou une explosion pouvant engendrer des blessures corporelles graves, mortelles ou des dégâts matériels.

- Fermez le gaz au niveau du barbecue.
- Fermez les boutons de commande sur la position OFF.
- Éteignez les flammes avec un extincteur d'incendie adéquat.
- Ouvrez le couvercle du barbecue.
- Éloignez-vous de la bonbonne de GPL.
- Ne tentez pas de régler le problème vous-même.
- Si l'odeur persiste ou si un feu se déclenche que vous n'arrivez pas à éteindre, appelez les pompiers. N'appellez pas à côté de la bonbonne de gaz car votre téléphone est un type d'appareil électrique et peut créer une étincelle pouvant causer un incendie et/ou une explosion.

REMARQUE: La circulation normale du gaz à travers le régulateur et les éléments du tuyau peut créer un ronronnement. Un bruit faible est parfaitement normal et n'interférera pas avec l'utilisation du barbecue. Si le ronronnement est fort et excessif, il sera peut-être nécessaire de purger l'air dans la ligne de gaz ou de réinitialiser le dispositif de régulation du gaz. Cette procédure de purge doit être effectuée chaque fois qu'une nouvelle bonbonne de GPL est raccordée à votre barbecue. Pour obtenir des informations concernant cette procédure, consultez la page 14, chapitre 4 "Si le barbecue ne s'allume pas" ou composez le numéro du service clientèle au: 1-888-980-4933 entre 8h00 et 17h00, heure du Pacifique.

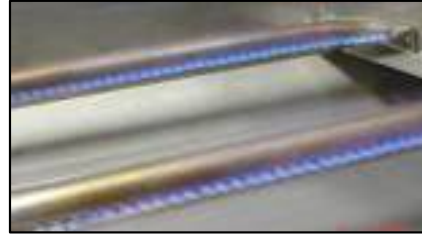
PRÉCAUTION: Attention aux retours en arrière des flammes

PRÉCAUTION: Des araignées et de petits insectes peuvent faire parfois leurs toiles ou leurs nids dans les tubes des brûleurs ce barbecue lors de son transport et de son entreposage. Ces toiles peuvent obstruer la circulation du gaz ce qui peut causer un incendie dans et autour des tubes des brûleurs. Ce type d'incendie est connu sous le nom de "RETOUR DE FLAMME" et peut endommager gravement votre barbecue et créer une condition d'utilisation dangereuse pour l'utilisateur. Bien qu'un tuyau de brûleur obstrué ne soit pas la cause principale d'un "RETOUR DE FLAMME", elle est la plus courante.

Pour réduire les risques de "RETOUR DE FLAMMES", vous devez nettoyer les tubes des brûleurs avant d'assembler votre barbecue et au moins une fois par mois vers la fin de l'été ou au début de l'automne lorsque les araignées sont le plus actives. Procédez aussi au nettoyage du tube du brûleur si votre barbecue n'a pas été utilisé depuis très longtemps.

Voir le chapitre Nettoyage des tubes et orifices des brûleurs en page 15

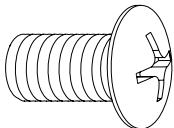
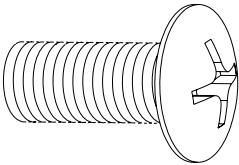
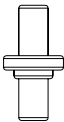

Vérification de la flamme du brûleur



Vérifier à l'œil nu les flammes du brûleur avant chaque utilisation. Les flammes doivent ressembler à l'image, dans le cas contraire consulter le chapitre sur le nettoyage des tubes et orifices du brûleur en page 15 de ce manuel.

Liste du matériel

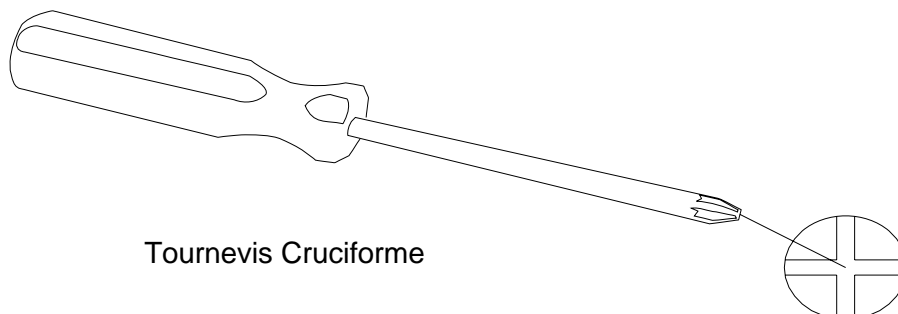
Le tableau suivant est une description du matériel. Il décrit les composants utilisés aux différents stages de l'assemblage.

A		5/32"x12mm	11 pcs
B		1/4"x15mm	12 pcs
C			2 pcs
D		1/4"	4 pcs

Outils nécessaires à l'assemblage

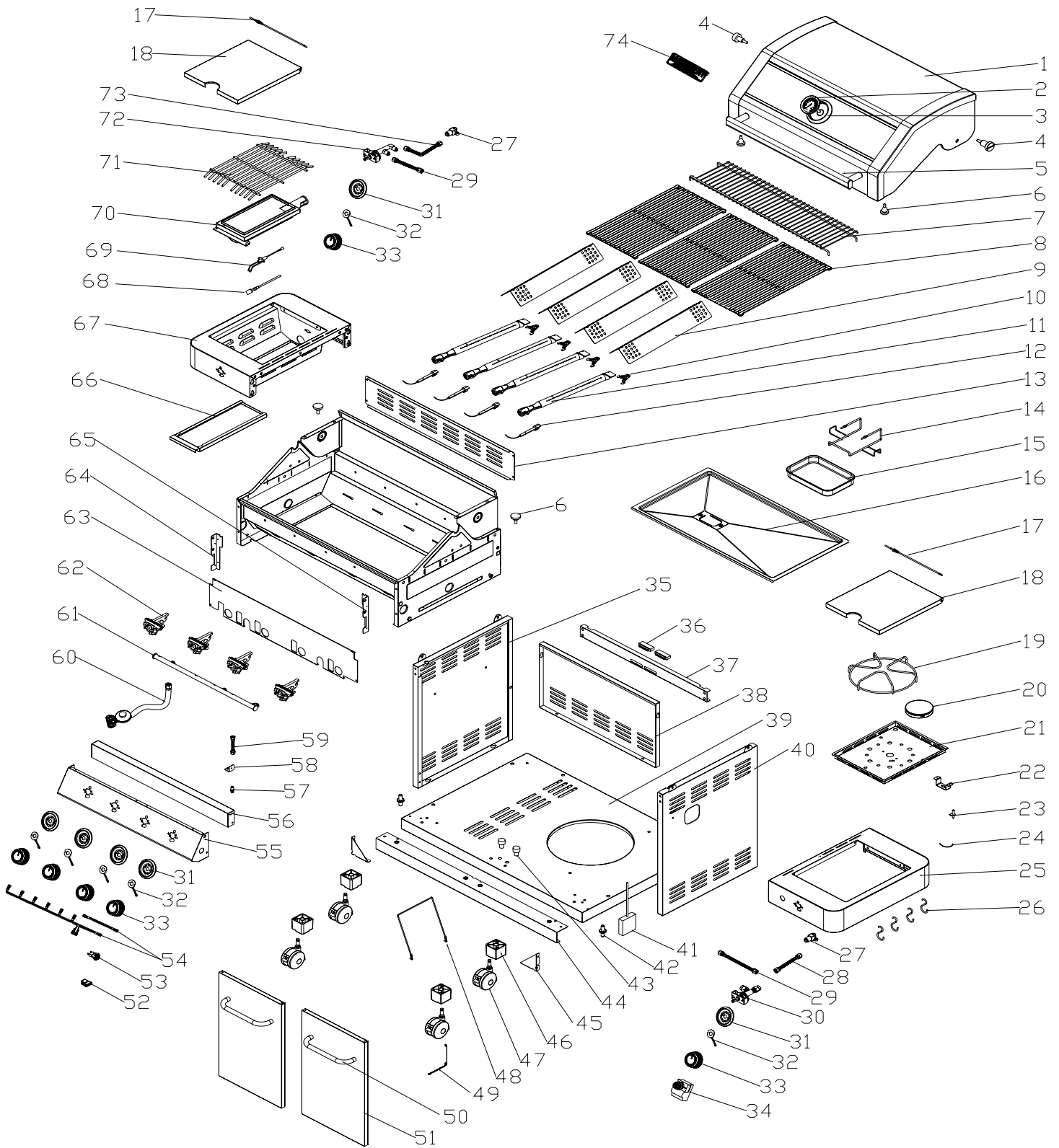
Tournevis Cruciforme (non inclus).

Remarque: Les côtés gauche et droit de la grille sont sur votre gauche et à droite en face de l'avant du gril.



Tournevis Cruciforme

Modèle No 35633 Diagramme des Pièces



Liste des pièces du modèle 35633

N°	Pièce (description)	qté	Code de matériau	N°	Pièce (description)	qté	Code de matériau
1	Couvercle principal	1	D010012906	39	Panneau inférieur	1	D010012098
2	Jauge de température	1	A0212824	40	Panneau latéral, droit	1	D010012903
3	Siège de jauge de température	1	A0212967	41	Réceptacle à batterie	1	A0212663
4	Vis du couvercle principal	2	A0407131	42	Broche sous le panneau de porte	2	A0212557
5	Poignée du couvercle principal	1	D010010251	43	Vis d'écartement sous le panneau de porte	2	A02120079
6	Tampon pour capot	4	A0201340	44	Bandeau cummerbund avant pour panneau inférieur du chariot	1	D010012063
7	Grille chauffante	1	A0212856	45	Support triangulaire, gauche	2	D010012745
8	Grille de cuisson avec trous	3	A0212804	46	Cheville pour roulette pivotante	4	A0212805
9	Dispositif de contrôle des flammes	4	D010012307	47	Roulette pivotante	4	A0211004
10	Ressort de serrage	4	A0212873	48	Ligne de fixation pour contenant de gaz	1	A0212837
11	Brûleur principal	4	A0212926	49	Bâtonnet d'allumage	1	A0212835
12	Fil d'allumage du brûleur principal	4	D010013685	50	Poignée de porte	2	D010012747
13	Panneau arrière, haut	1	D010012737	51	Porte avant	2	D010012094
14	Support du réceptacle à graisse	1	A0212838	52	Siège pour lampe DEL-USB2.0	1	A02120032
15	Réceptacle à graisse	1	D010012705	53	Interrupteur de lampe DEL	1	A0212627
16	Plateau de récupération des graisses	1	D010012072	54	Circuit pour lampe DEL	1	D010013687
17	Tige de charnière du couvercle du brûleur latéral	2	A0212534	55	Panneau de commande principale	1	D010013688
18	Couvercle du brûleur latéral	2	D010007598	56	Cadre du panneau de commande principal	1	D010012108
19	Grille de cuisson du brûleur latéral, droit	1	A0212248	57	Connecteur de gaz	1	A0212830
20	Brûleur latéral, droit	1	A0212533	58	Panneau de fixation pour connecteur de gaz	1	D010012298
21	Plateau du brûleur latéral	1	D011006420	59	Conduite de gaz flexible du brûleur principal	1	A0212829
22	Support à orifice du brûleur latéral	1	D019706920	60	Régulateur, GPL	1	A0212831
23	L'allumeur du brûleur latéral, droit	1	A0212436	61	Collecteur principal	1	A02120086
24	Fil d'allumage du brûleur latéral, droit	1	A02120084	62	Valve de gaz principal	4	A0212862
25	Tablette latérale, droit	1	D010013686	63	Défecteur avant	1	D010012052
26	Crochet	4	A0212538	64	Panneau de fixation pour panneau de commande, gauche	1	D010012050
27	Orifice du brûleur latéral	2	A0212828	65	Panneau de fixation pour panneau de commande, droit	1	D010012051
28	Conduite de gaz flexible du brûleur lateral, 250	1	A020021	66	Réceptacle à graisse du brûleur latéral	1	D010012440
29	Conduite de gaz flexible du brûleur lateral, 480	2	A02120090	67	Tablette latérale, gauche	1	D010013689
30	Valve du brûleur lateral, droit	1	A02120088	68	Fil d'allumage du brûleur latéral, gauche	1	A0212891
31	Bouton de commande base	6	D010012905	69	L'allumeur du brûleur latéral, gauche	1	A0212871
32	Panneau à lampe DEL	6	A0212777	70	Brûleur latéral, gauche	1	A0212872
33	Bouton de commande	6	A0212922	71	Grille de cuisson du brûleur latéral, gauche	1	A0212875
34	Module pour allumage à impulsions	1	A0212864	72	Valve de gaz du brûleur latéral	1	A02120089
35	Panneau latéral, gauche	1	D010012742	73	Conduite de gaz flexible du brûleur lateral, 750	1	A020005
36	Aimant de porte	2	A0201249	74	Logo	1	A0212808
37	Cadre du chariot, avant	1	D010012721		Manuel	1	C042141
38	Panneau arrière inférieur	1	D010012748		Quincaillerie	1	D010012753

Pour toute question concernant l'assemblage, composez-le:
1-888-980-4933

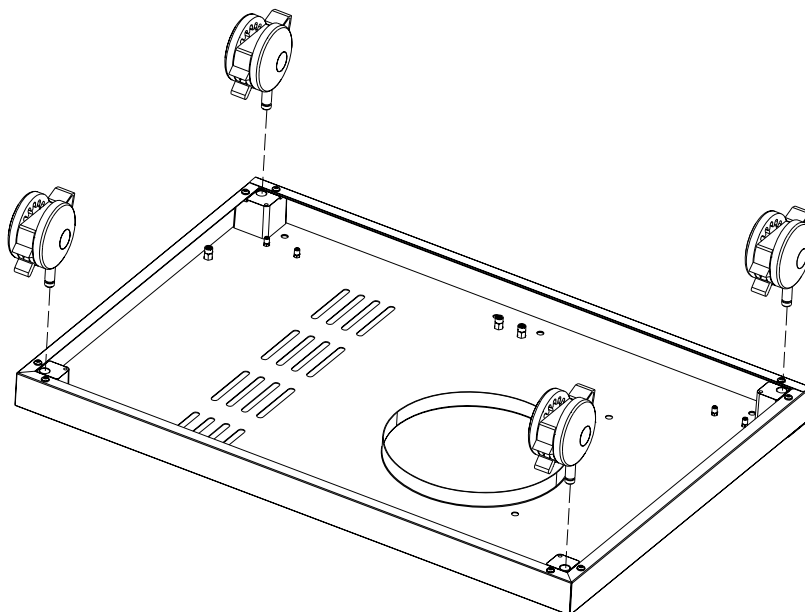
Important: Utilisez uniquement les pièces de la liste ci-dessus. Lors de la commande des pièces, fournissez les informations suivantes:

Pour être certain d'obtenir les bonnes pièces de remplacement de votre barbecue à gaz, consultez les numéros des pièces sur cette page.

1. Modèle n°
2. Numéro de la pièce (voir PIÈCE# dans tableau)
3. Description de la pièce
4. Quantité de pièces nécessaires

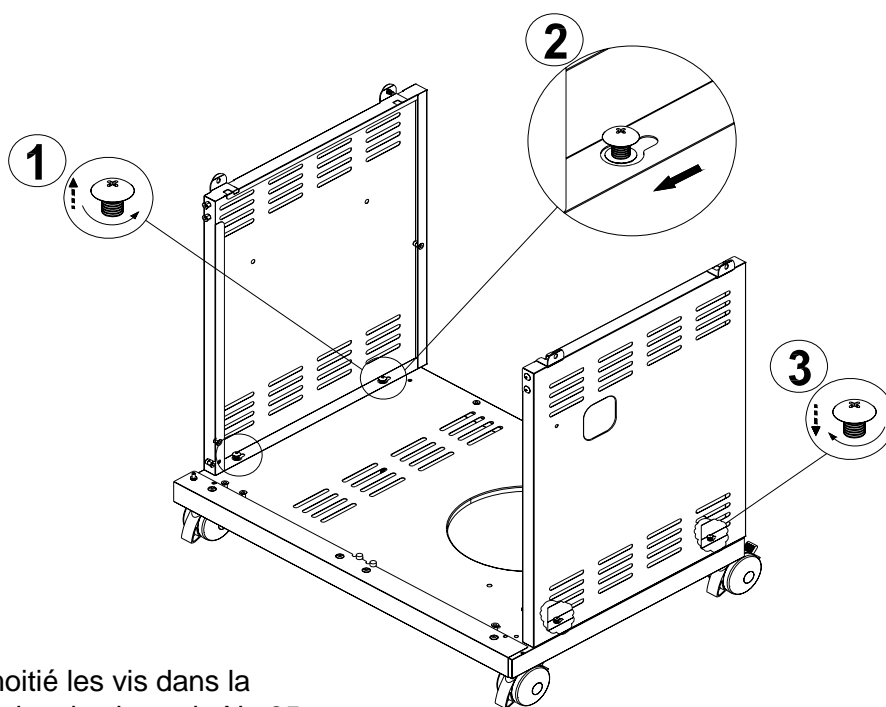
Important: Conservez ce manuel de l'utilisateur pour consultation future et pour le remplacement des pièces.

Instructions d'assemblage



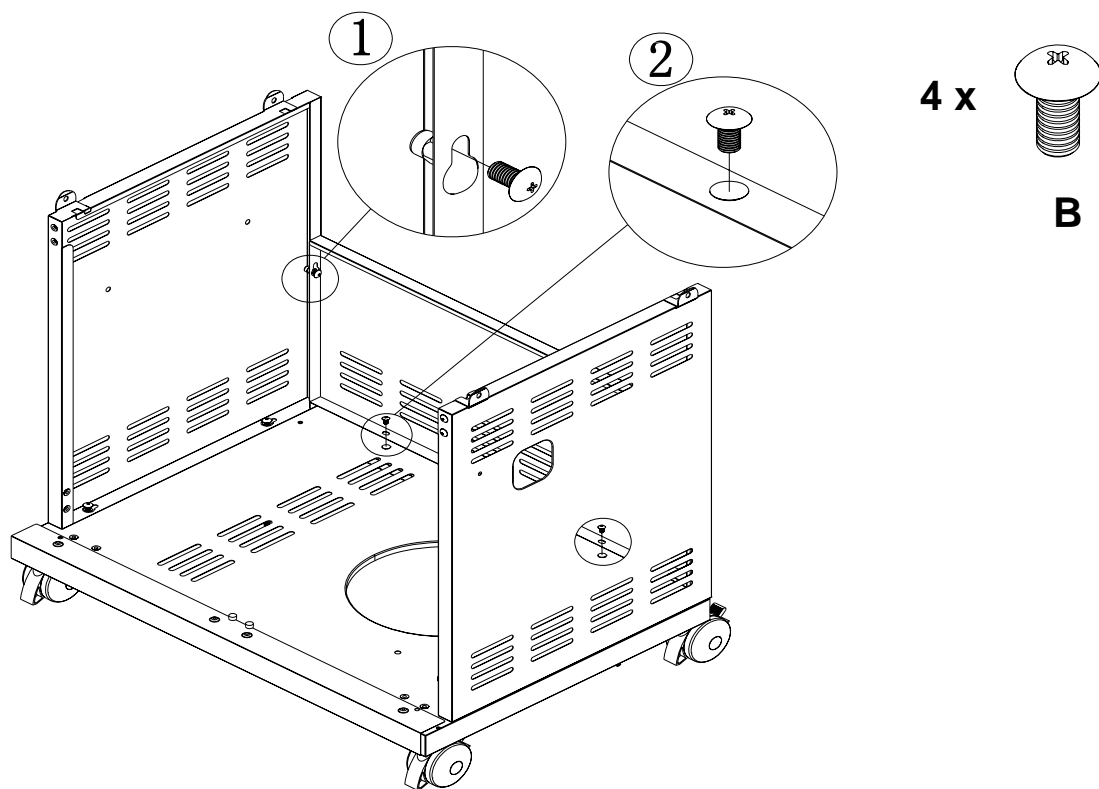
Veillez insérer la pièce No.47 dans la plaque inférieure.

Figure 1



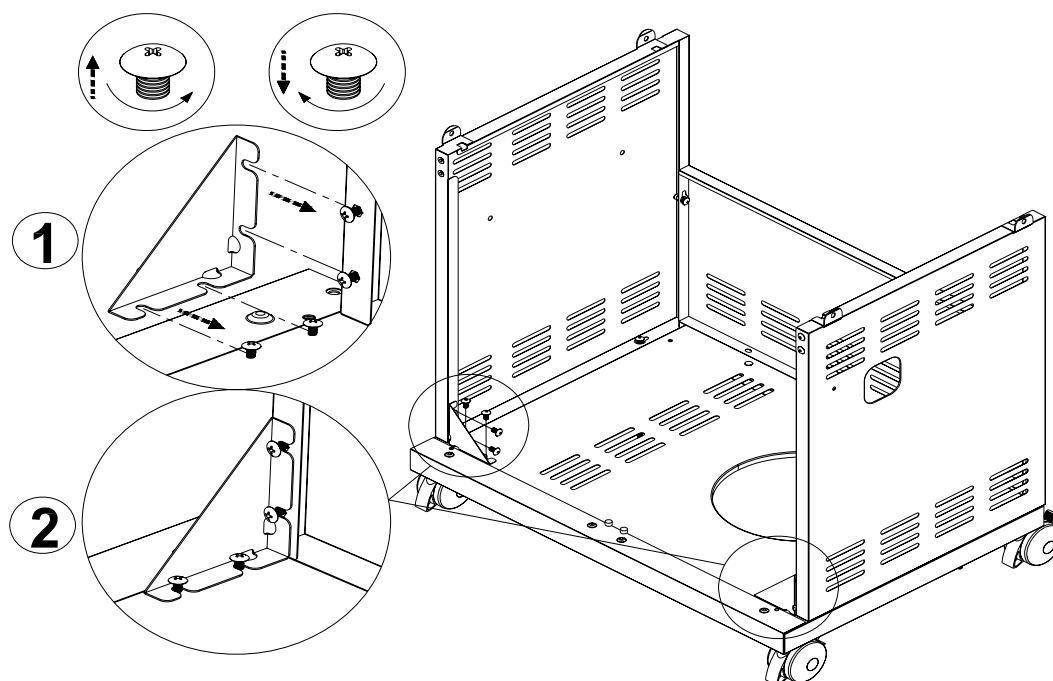
Dévissez à moitié les vis dans la plaque de fond, puis placez le No.35 et No.40 sur les trous de vis correspondants et vissez bien.

Figure 2



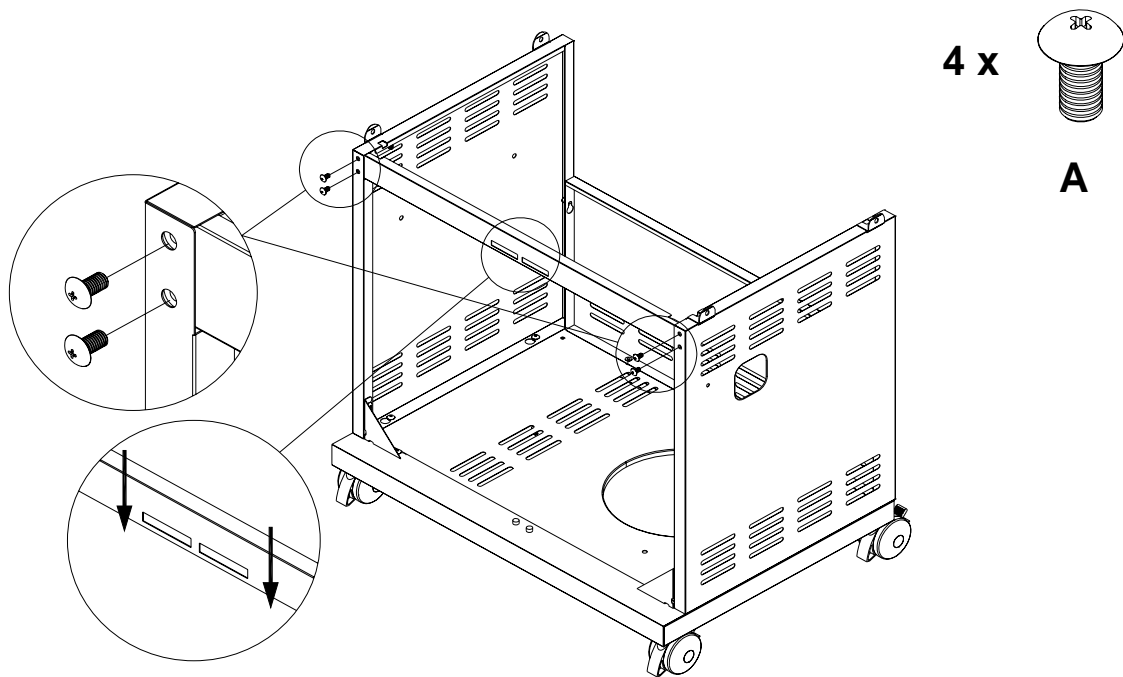
Installez la pièce No.38 sur l'endroit approprié avec quatre vis B.

Figure 3



Dévissez à moitié les vis dans le fond et dans les plaques latérales, puis mettez la pièce No.45 sur les trous de vis correspondants et vissez bien.

Figure 4



Installez la pièce No.37 sur l'endroit approprié avec quatre vis A représentées sur la figure 5
 Attention: aimant vers le bas.

Figure 5

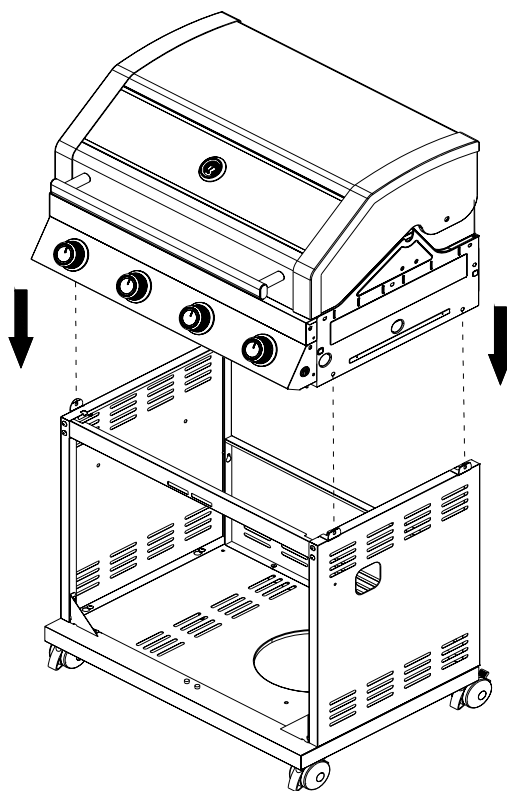
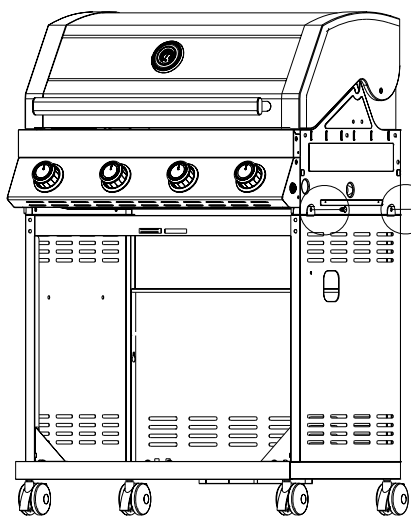


Figure 6



Vissez bien la carrosserie du grill et le chariot avec quatre vis B. (Figure 7.1)

Figure 7.1

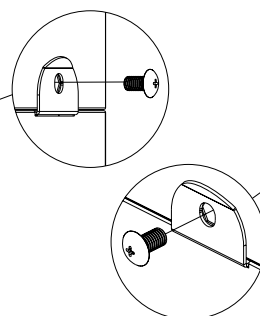
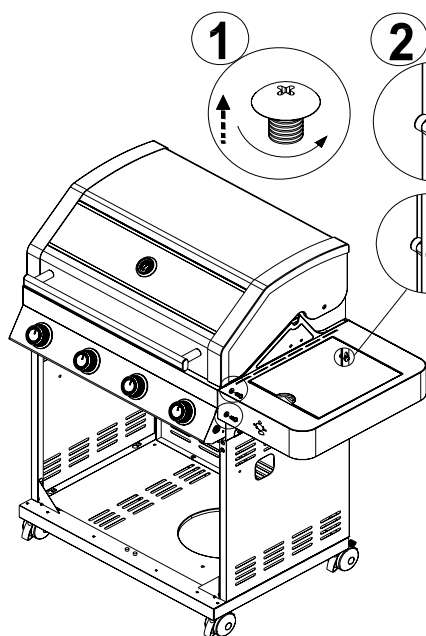


Figure 7.2



1. Dévissez à moitié les trois grandes vis à l'extérieur de la carrosserie du grill, puis installez la pièce No.25 sur les trous de vis correspondants et vissez bien.
2. Vissez bien la pièce No.25 avec une vis B et une rondelle espaceur D dans la carrosserie du grill.

Figure 8.1

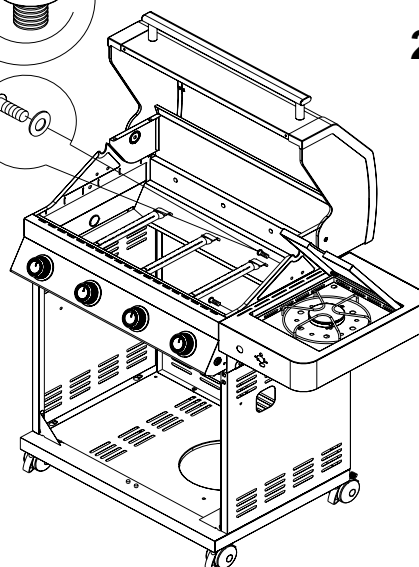
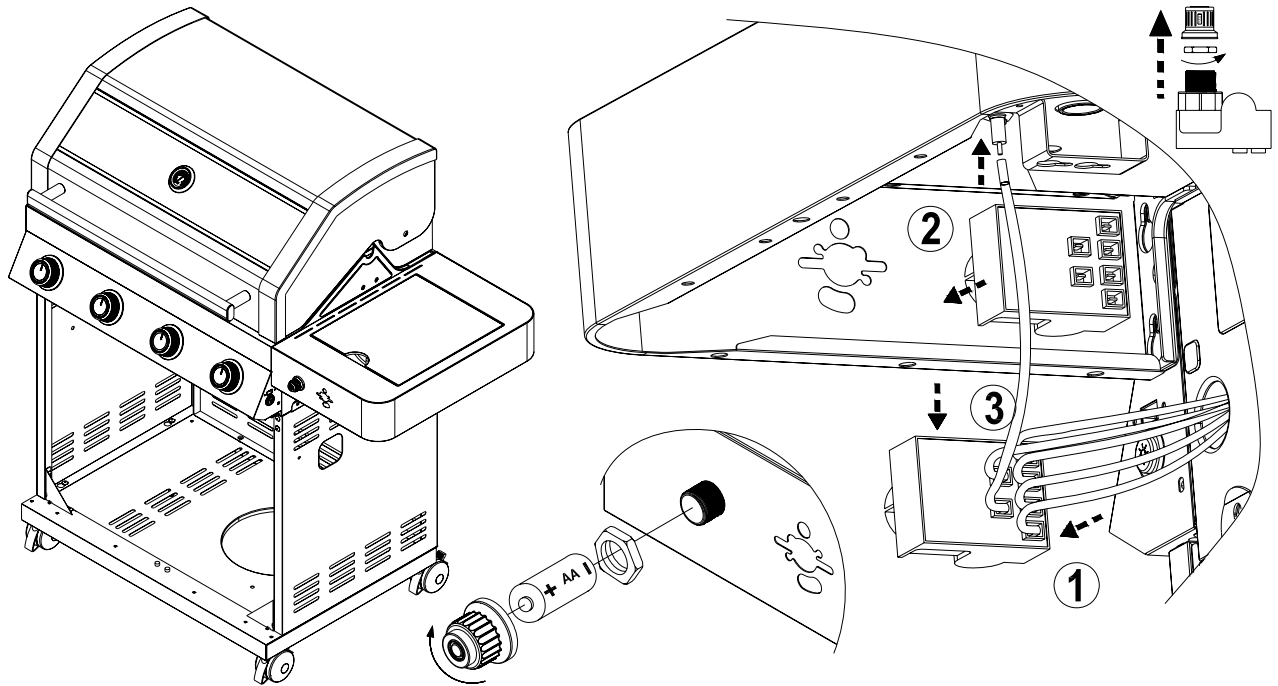
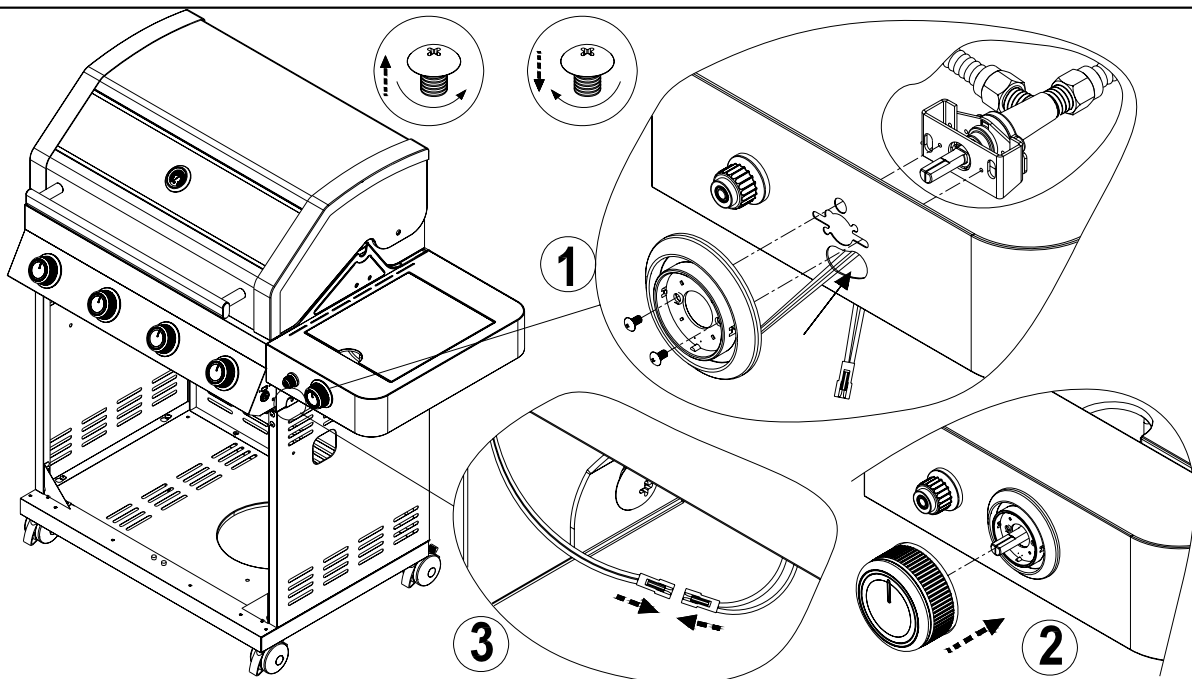


Figure 8.2



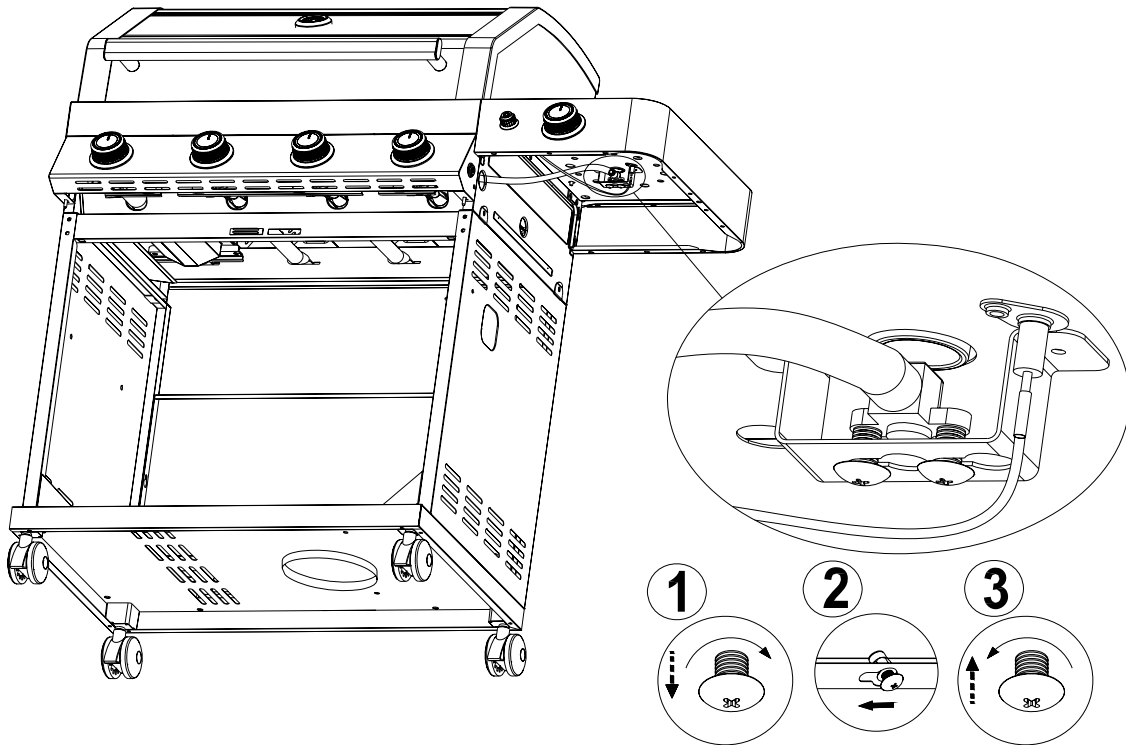
1. Insérez le fil d'allumage dans la pièce No.34.
2. Insérez la pièce No.34 dans la pièce No.25.
3. Insérez le fil de la pièce No.23.

Figure 9



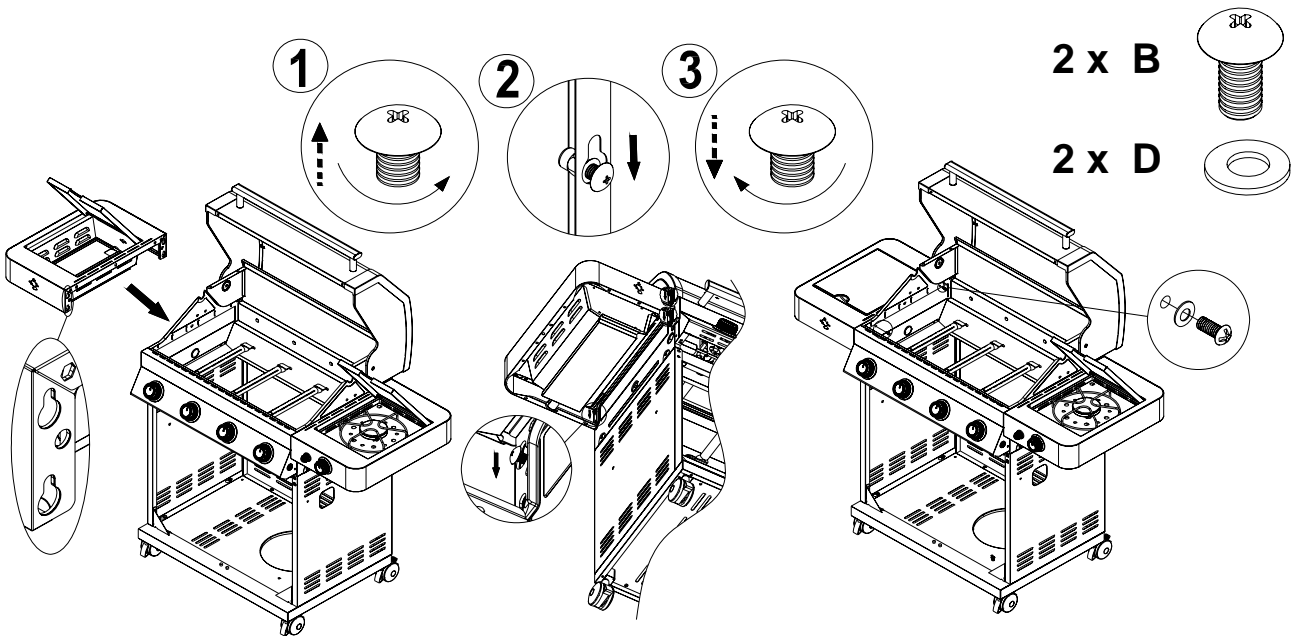
1. Insérez la pièce No.30, la pièce No.31, la pièce No.32 et la pièce No.33 tel qu'indiqué à la figure.
2. Insérez le fil tel qu'indiqué à la figure.

Figure 10



1. Dévissez à moitié la vis dans la pièce No. 27, puis placez la pièce No.27 dans le trou de la pièce No.22. Vissez bien.

Figure 11

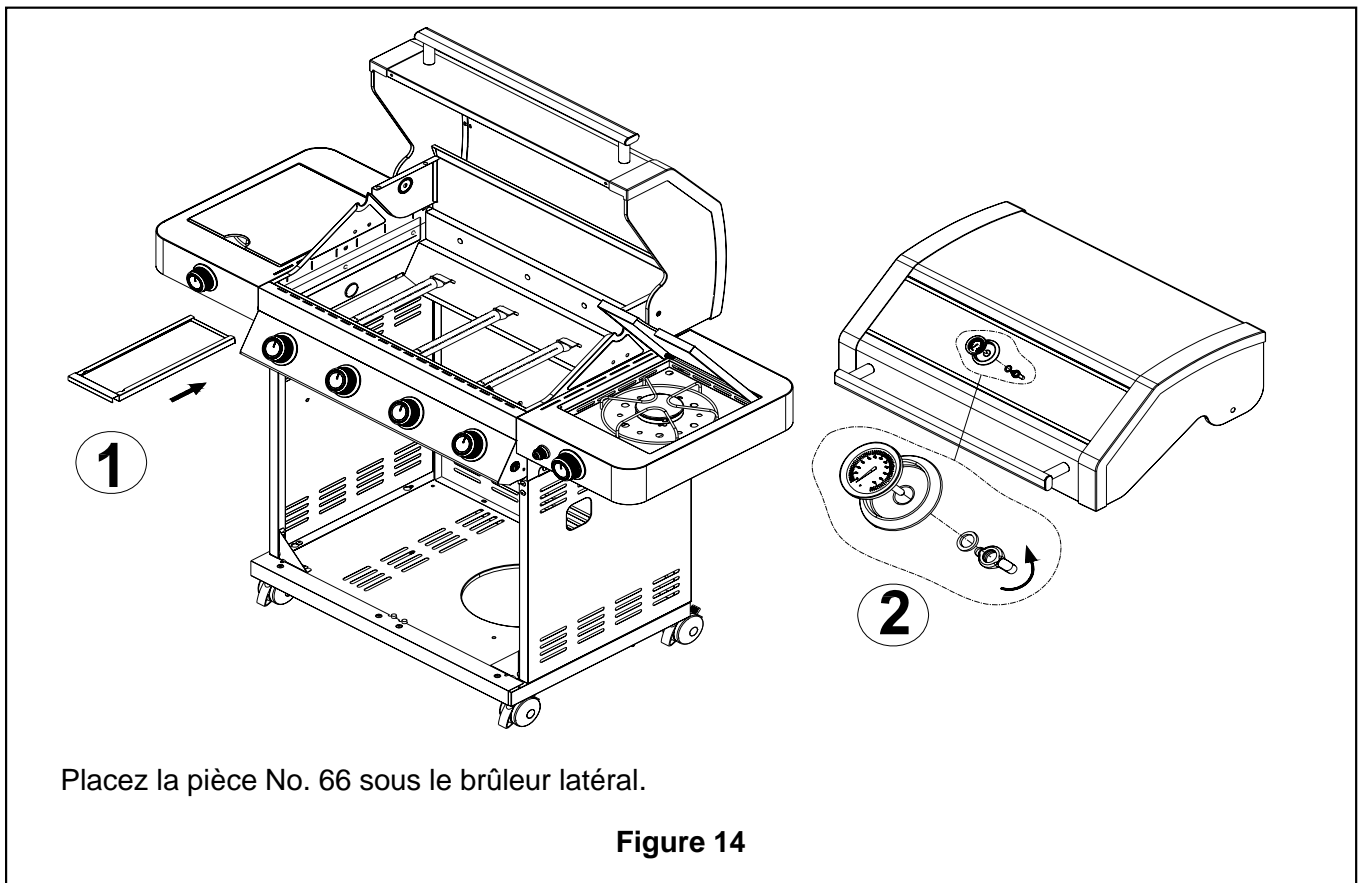
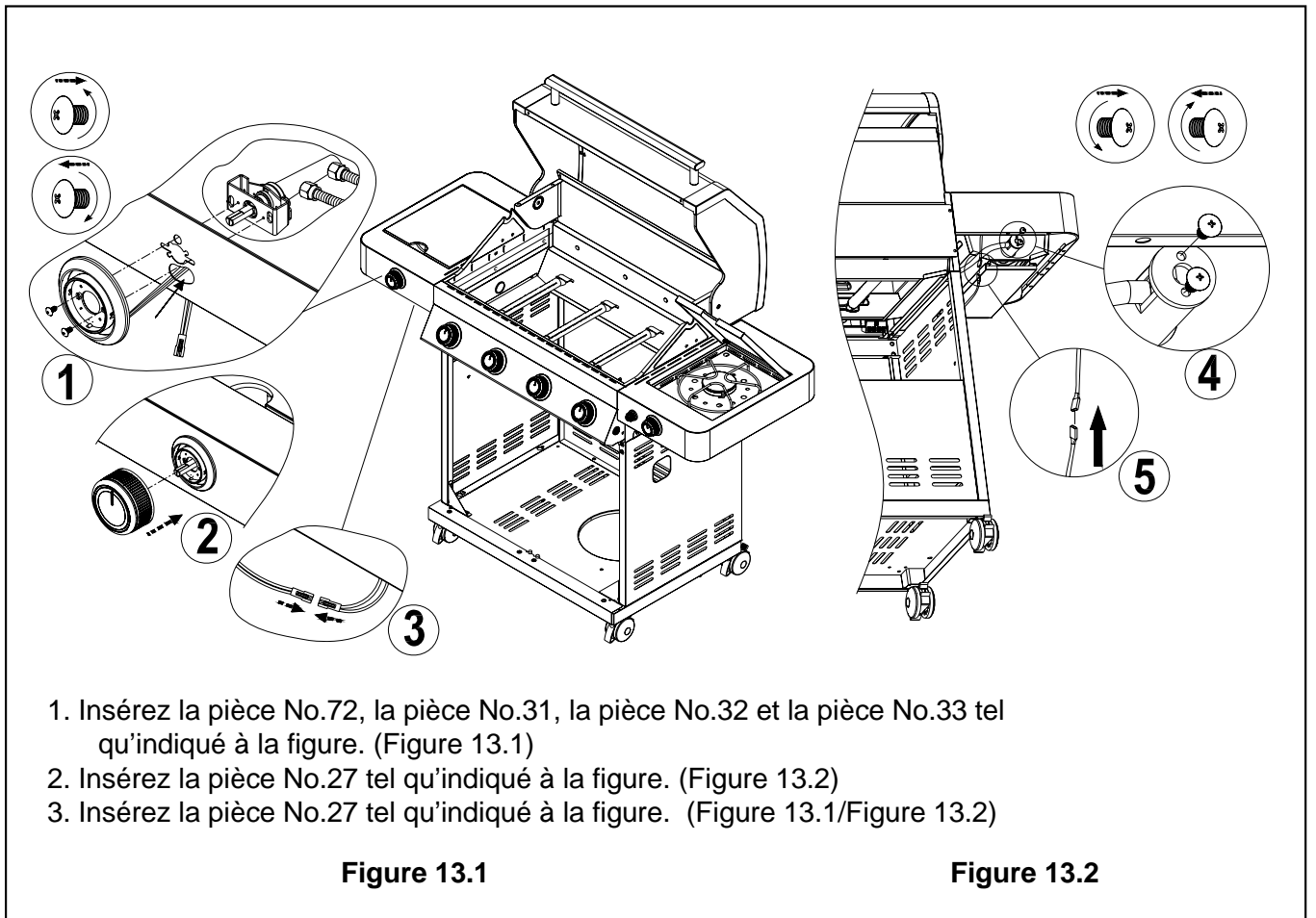


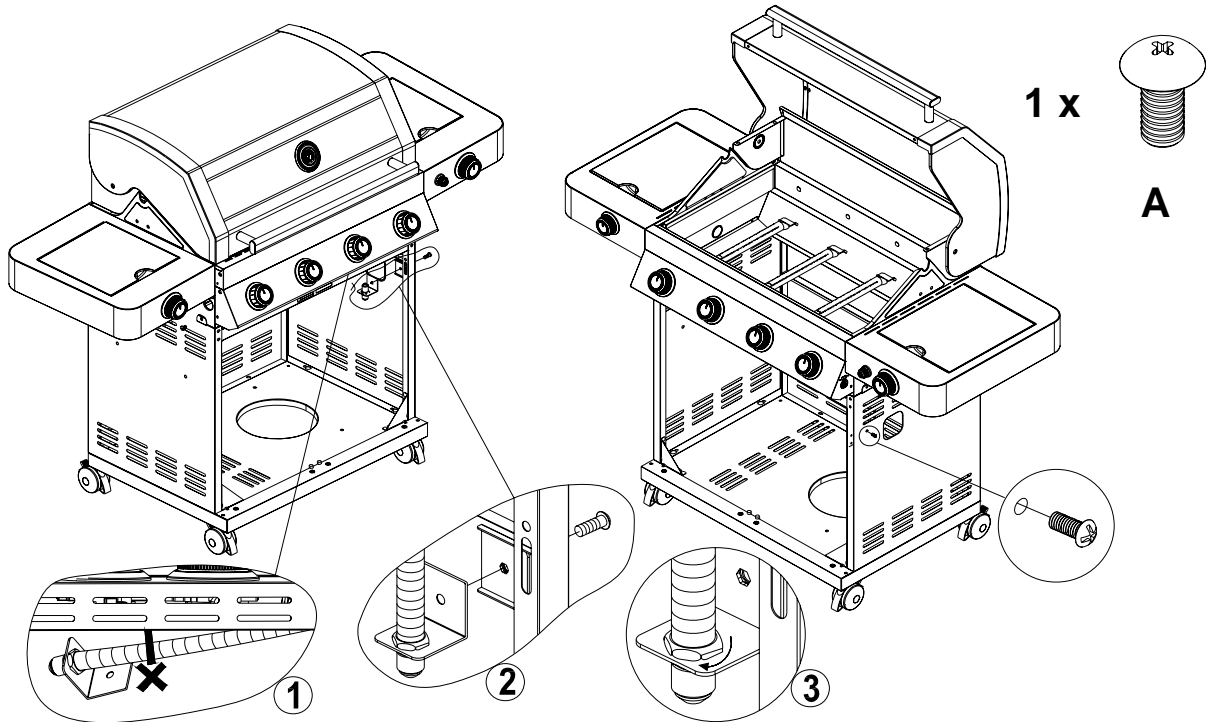
1. Dévissez à moitié les trois grandes vis trouvé sur la carrosserie du grill, puis placez la pièce No.67 sur les trous de vis correspondants et vissez bien.
2. Vissez bien la pièce No.67 avec une vis B et une rondelle espaceur D à l'intérieur de la carrosserie du grill.

Figure 12.1

Figure 12.2

Figure 12.3

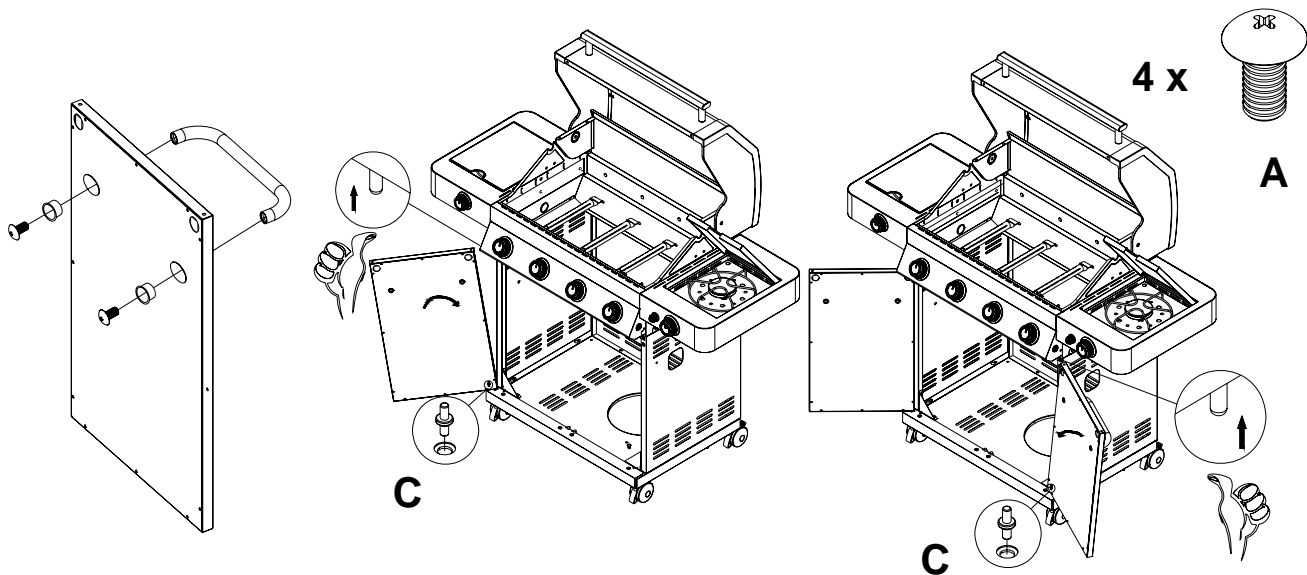




Installez la pièce No.58 sur la plaque droite avec une vis A.

Figure 15.1

Figure 15.2

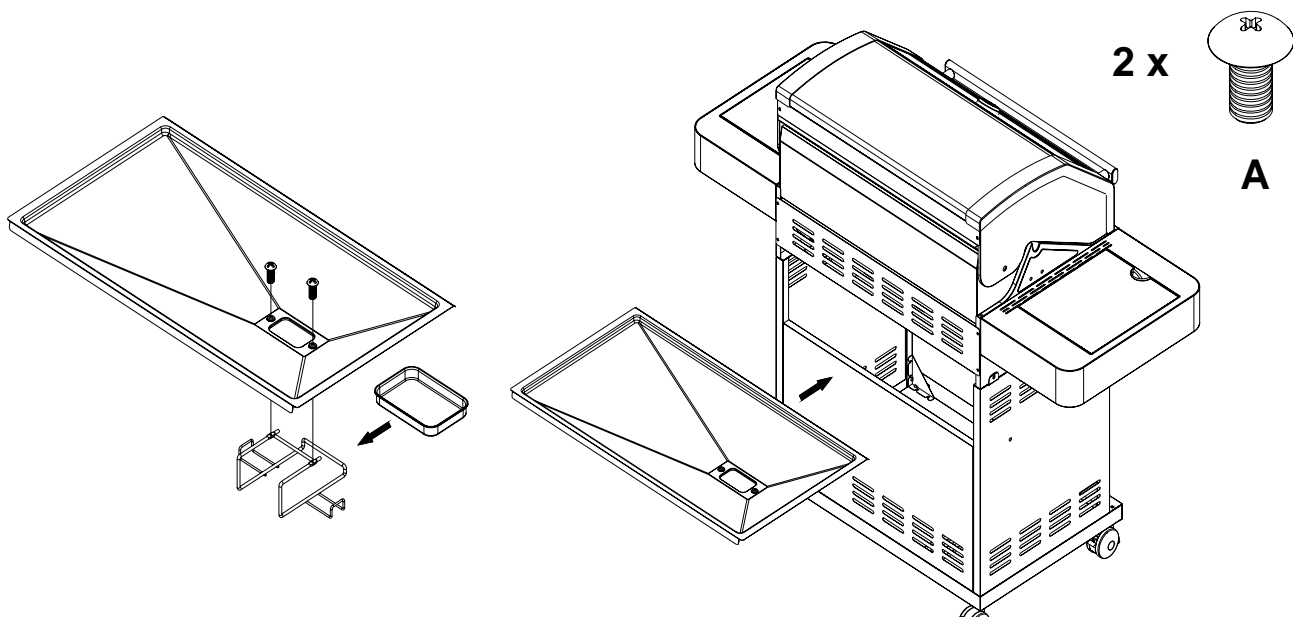


1. Installez la pièce No.50 sur la pièce No.51 avec des vis A. . (Figure 16.1)
2. Placez la pièce C dans le trou correspondant à l'intérieur de la plaque inférieure. (Figure 16.2)
3. Placez la pièce No.51 dans la pièce C. (Figure 16.2)
4. Ensuite, placez la porte en appuyant vers le haut sur l'axe flexible.

Figure 16.1

Figure 16.2

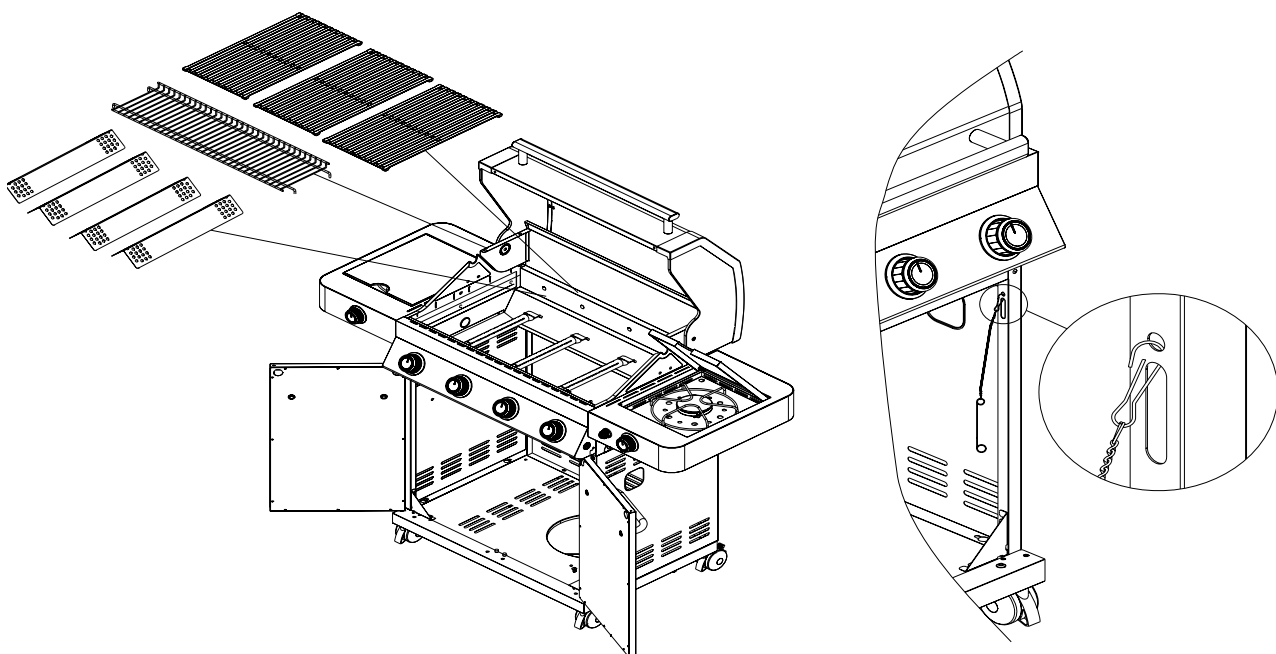
Figure 16.3



1. Installez la pièce No.14 sur la pièce No.16 avec deux vis A. (Figure17.1)
2. Mettez la pièce No.15 dans la pièce No.14. (Figure17.1)
3. Placez le plateau de récupération des graisses dans la carrosserie du grill. (Figure17.2)

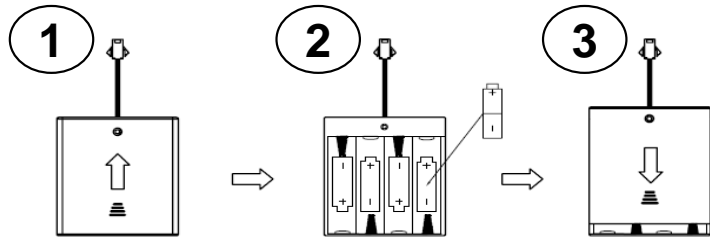
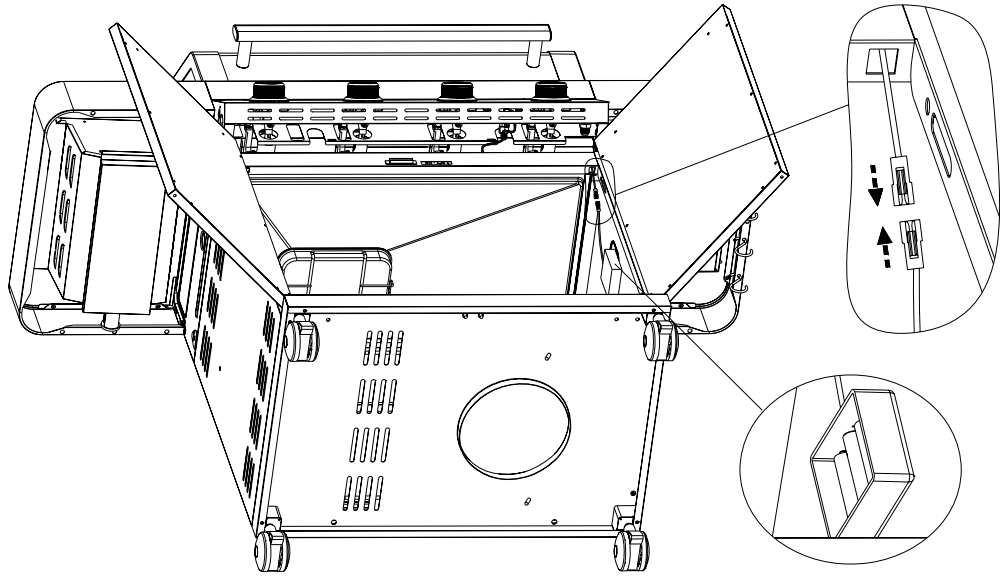
Figure 17.1

Figure 17.2



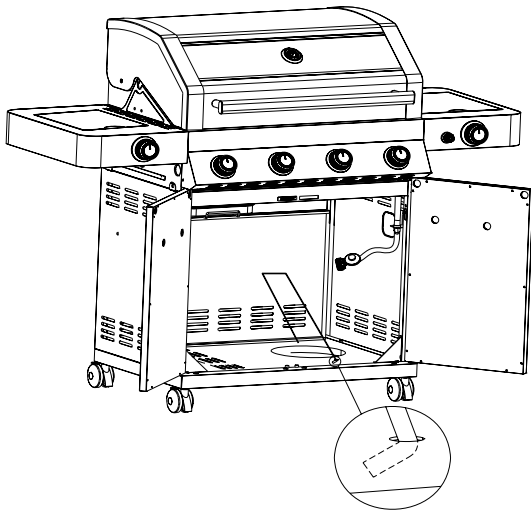
Placez les pièces No. 7, No. 8, No. 9 et No. 49 dans leurs endroits appropriées.

Figure 18



Connectez la pièce No.54 à la pièce No.41.

Figure 19



1. Installez la pièce No.48 sur la plaque inférieure. (Figure20.1)
2. Installez la pièce No.26 sur la plaque latérale. (Figure20.2)

Figure 20.1

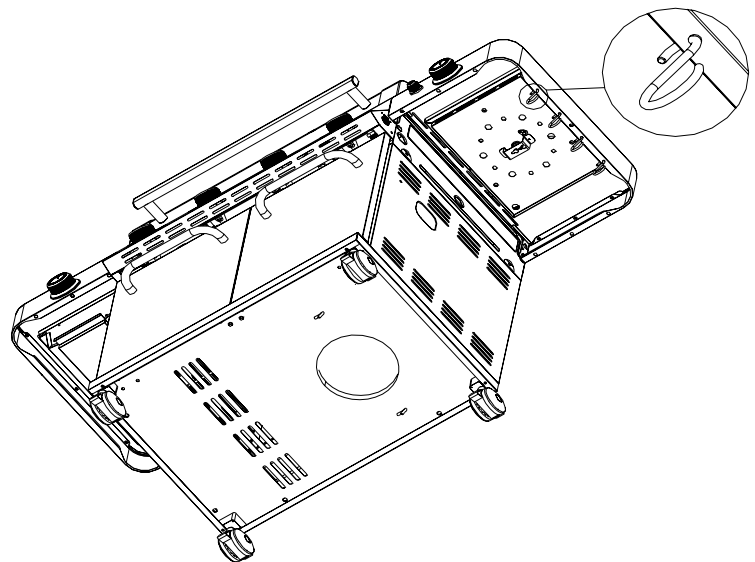


Figure 20.2

Connexion de la bonbonne de GPL au barbecue à GPL

1. Enlevez la vis sur le boulon de la bonbonne & ôtez la rondelle. Insérez le boulon de la bonbonne depuis l'arrière du barbecue et réinstallez le jeu de rondelle et de vis. Depuis l'arrière du chariot, installer l'anneau du pied de la bonbonne de 20 livres dans le trou sur le panneau inférieur. Vérifiez que la soupape de la bonbonne est sur la position OFF. Utilisez le boulon de la bonbonne pour attacher la bonbonne dans une position fixe (Fig.22).

2. Vérifiez que la soupape de la bonbonne possède les filetages externes adéquats s'adaptant aux éléments du tube et au régulateur fournis.

3. Vérifier que toutes les soupapes du brûleur sont sur la position OFF.

4. Inspectez le port de connexion de la soupape et les éléments du régulateur. Inspectez la présence d'avaries ou de saletés. Otez les saletés. Inspectez le tuyau. Ne jamais utiliser un équipement endommagé ou obstrué.

5. Lors du raccordement du régulateur et des éléments du tuyau à la soupape de la bonbonne, serrer à fond à la main l'écrou de serrage rapide dans le sens horaire (Fig.21) Ne pas utiliser une clé pour éviter d'abimer l'écrou de serrage rapide et provoquer une condition dangereuse.

6. Ouvrir entièrement la soupape de la bonbonne (dans le sens antihoraire). Utiliser une solution savonneuse pour vérifier les fuites sur tous les raccords avant de tenter d'allumer le barbecue. Si une fuite est détectée, fermer la soupape de la bonbonne et ne pas utiliser le barbecue jusqu'à ce que la fuite soit réparée.

PRÉCAUTION : Le gaz doit être fermé au niveau de la bonbonne d'approvisionnement quand l'appareil n'est pas utilisé.

Raccordement du régulateur

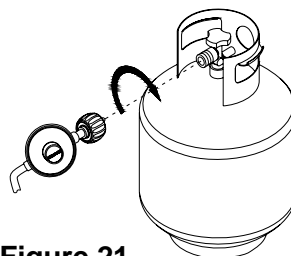


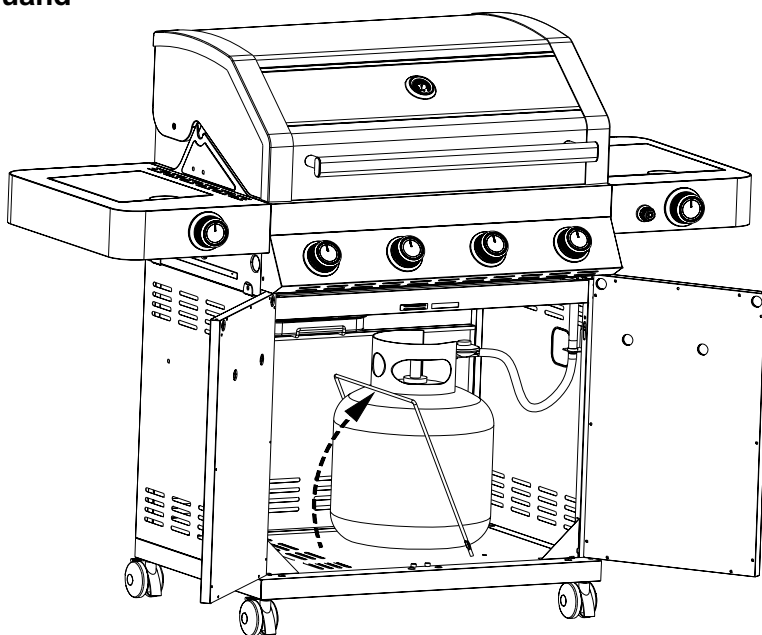
Figure 21

Félicitations

Votre barbecue à gaz est maintenant prêt à être utilisé. Avant la première utilisation et au début de chaque saison (et chaque fois que la bonbonne de GPL a été changée):

1. Lisez toutes les instructions de sécurité, d'allumage et d'utilisation.
2. Inspectez la présence d'obstruction au niveau des orifices de la soupape de gaz, des tubes des brûleurs et des orifices des brûleurs.
3. Vérifiez les fuites de gaz en suivant les instructions se trouvant sur la page suivante du manuel.

Figure 22



Vérification des fuites de GPL

Ne jamais tester les fuites avec une flamme nue. Avant la première utilisation et au début de chaque saison ou chaque fois que votre bonbonne de GPL est changée, vous devez vérifier les fuites de gaz.

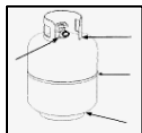
1. Fabriquez une solution savonneuse en mélangeant de l'eau et du détergent liquide à part égale.
2. Fermez entièrement les boutons de commande sur la position ARRÊT puis ouvrez le gaz sur MARCHE au niveau de la bonbonne.
3. Appliquez la solution savonneuse sur tous les raccordements de gaz avec une brosse propre. Voir ci-dessous. Si des bulles grossissantes apparaissent dans la solution cela signifie que les raccordements ne sont pas étanches. Vérifiez chaque élément et resserrez ou réparez si nécessaire.

Vérification des fuites sur les raccordements de gaz



4. Si vous n'arrivez pas à réparer une fuite de raccordement de gaz, fermez le gaz au niveau de la bonbonne, débranchez la ligne de gaz sur le barbecue et appelez au 1-888-980-4933 ou votre fournisseur de gaz pour demander de l'aide.
5. Appliquez également de la solution savonneuse sur les soudures de la bonbonne. Voir ci-dessous. Si des bulles grossissantes apparaissent, fermez la bonbonne. Ne l'utilisez pas et ne la déplacez pas! Contactez un fournisseur de GPL ou les pompiers pour demander de l'aide.

Vérification de fuites sur la bonbonne de gaz



Instruction d'allumage du barbecue

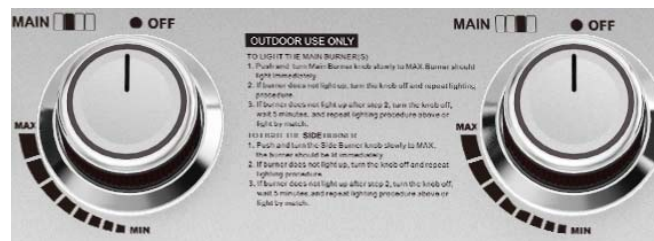
Allumage des brûleurs principaux du barbecue

1. Ne pas fumer lors de l'allumage du barbecue ou de la vérification des raccordements d'arrivée du gaz.
2. Vérifier que la bonbonne de GPL est suffisamment pleine.
3. Vérifier que les raccordements de gaz sont bien resserrés.
4. Ouvrir l'arrivée du gaz.
5. Ouvrir le couvercle principal du barbecue et le couvercle du brûleur latéral.
6. Appuyer et tourner un des boutons du brûleur principal sur la position ALLUMER/ HAUT et presser en même temps le bouton d'allumage électronique sans le relâcher pendant 3 à 5 secondes pour allumer le brûleur.



AVERTISSEMENT

Si le couvercle du barbecue n'est pas ouvert lors de l'allumage un incendie ou une explosion risque de se produire pouvant causer des blessures corporelles graves, mortelles ou des dégâts matériels.



7. Pour allumer des brûleurs supplémentaires, pressez et tournez le bouton(s) du brûleur sur ALLUMER/ HAUT . Dans le même temps, pressez le bouton d'allumage électronique sans le relâcher pendant 3 à 5 secondes pour allumer le brûleur. Réglez le bouton(s) comme souhaité.
8. Si le brûleur ne s'allume pas au bout de 5 secondes, fermez le bouton sur ARRÊT . Fermez le gaz au niveau de la bonbonne et patienter 5 minutes pour laisser le gaz se dissiper. Ouvrez ensuite le gaz au niveau de la bonbonne et répétez l'étape 6.
9. Si le brûleur ne s'allume toujours pas, consultez les chapitres Allumage par allumettes et Si le barbecue ne s'allume pas en page suivante.

UTILISATION DU BRÛLEUR LATÉRAL

Inspecter le tuyau d'arrivée du gaz avant d'ouvrir le gaz sur "SUR". En cas de coupures ou d'usure il doit être remplacé avant utilisation. Ne pas utiliser le brûleur latéral si vous sentez une odeur de gaz.

AVERTISSEMENT: Maintenir votre visage et votre corps aussi éloignés que possible du brûleur lors de l'allumage.

INSTRUCTIONS D'ALLUMAGE POUR LE BRÛLEUR LATÉRAL

1. Ouvrir entièrement le couvercle du brûleur latéral.
2. Appuyer et tourner le bouton du brûleur sur la position ALLUMER/ HAUT . Dans le même temps, presser sans relâcher le bouton d'allumage électronique pendant 3 à 5 secondes pour allumer le brûleur.
3. Si le brûleur latéral ne s'allume pas au bout de 5 secondes, fermer le bouton sur ARRÊT . Fermer le gaz au niveau de la bonbonne de GPL et patienter 5 minutes pour laisser le gaz se dissiper. Rouvrir ensuite le gaz au niveau de la bonbonne et répéter l'étape 2.
4. Si le brûleur ne s'allume toujours pas, voir les chapitres Allumage par allumettes et Si le barbecue ne s'allume pas en page suivante.





AVERTISSEMENT

Ne jamais se pencher par-dessus la surface de cuisson du barbecue lors de l'allumage du barbecue à gaz. Maintenir votre visage et votre corps à une bonne distance de sécurité (au moins 18 pouces) de la surface des grilles de cuisson lors de l'allumage du barbecue par allumette.

Allumer votre barbecue avec une allumette

1. Prendre la tige d'allumage manuel.
2. Insérer une allumette dans la tige d'allumage.
3. Suivre les étapes 1 à 5 de la procédure élémentaire d'allumage.
4. Allumer l'allumette et diriger la tige d'allumage vers la surface des grilles de cuisson.
5. Tourner le bouton de commande souhaité sur la position HI pour libérer le gaz. Le brûleur doit s'allumer immédiatement.



AVERTISSEMENT

Si un incendie causé par un "RETOUR-EN-ARRIÈRE" se produit dans ou autour des tubes du brûleur, suivre les instructions ci-dessous. Le non-respect de ces consignes peut résulter en un incendie ou une explosion pouvant causer des blessures corporelles graves, mortelles ou des dégâts matériels.

- Fermer l'arrivée du gaz vers le barbecue à gaz.
- Fermer les boutons de commande sur la position ARRÊT .
- Éteindre les flammes avec un extincteur de flamme adéquat.
- Ouvrir le couvercle du barbecue.
- Une fois que le barbecue a refroidi, nettoyer les tubes du brûleur et les brûleurs en suivant les instructions de nettoyage se trouvant en page 15.

Si le barbecue ne s'allume toujours pas

1. Vérifier les fuites au niveau de l'arrivée du gaz et des raccordements. Vérifier que tous les raccordements sont étanches.
2. Répéter la procédure d'allumage élémentaire. Si votre barbecue à gaz ne s'allume toujours pas, fermer le gaz à la source, fermer les boutons de commande sur ARRÊT puis vérifier les points suivants:

- Mauvais alignement des tubes du brûleur sur les orifices.
Correction: Repositionner les tubes du brûleur sur les orifices.
- Obstruction dans la ligne de gaz .
Correction: Débrancher la ligne de gaz du barbecue. Ne pas fumer! Ouvrir l'arrivée du gaz pendant 1 seconde pour déboucher toute obstruction dans la ligne. Fermer l'arrivée du gaz à sa source et reconnecter la ligne de gaz au barbecue.
- Orifice bouché
Correction: Enlever les brûleurs hors du barbecue en soulevant avec précaution chaque brûleur hors de l'orifice de la soupape de gaz. Enlever l'orifice de la soupape de gaz et nettoyer délicatement toute obstruction avec un fil de fer mince. Puis réinstaller tous les orifices, brûleurs et composants de cuisson.

3. Si vous suspectez une obstruction dans les soupapes de gaz, appeler le service de réparation au 1-888-980-4933.

4. Si le barbecue ne s'allume toujours pas, il sera nécessaire de purger l'air dans la ligne de gaz ou de réinitialiser le mécanisme de régulation d'excès de gaz.
Remarque: Cette procédure doit être faite chaque fois qu'une nouvelle bonbonne de gaz PL est raccordée à votre barbecue.

Pour purger l'air dans la ligne de gaz et/ou réinitialiser le mécanisme de régulation d'excès de gaz :

- Fermer le bouton de commande sur la position ARRÊT .
- Fermer le gaz au niveau de la soupape de la bonbonne.
- Débrancher le régulateur de la bonbonne de GPL.
- Mettre l'unité en position verticale pendant 5 minutes.
- Rebrancher le régulateur à la bonbonne de GPL.
- Ouvrir lentement jusqu'au quart ou jusqu'à demi la soupape de la bonbonne .
- Ouvrir le couvercle du barbecue.
- Tourner les boutons de commande sur ARRÊT . Appuyer et tourner un des boutons de commande sur HAUT.
- Tourner les boutons de commande sur HAUT jusqu'à ce que tous les brûleurs s'allument.
- Vous pouvez alors commencer à utiliser votre barbecue.

5. Si toutes les vérifications ou corrections ont été faites et que vous avez encore des questions liées au fonctionnement de votre barbecue à gaz, appeler la **hotline du Service Clientèle de 08h00 à 17h00 Heure du Pacifique, du lundi au vendredi au 1-888-980-4933.**

Nettoyage et entretien

Pour garantir un fonctionnement adéquat de l'unité, les soins et entretiens suivants sont recommandés.

Nettoyage des grilles de cuisson

Nous vous recommandons de laver vos grilles de cuisson avec une solution à base d'eau chaude et de savon doux. Vous pouvez utiliser une éponge ou une brosse douce pour nettoyer vos grilles de cuisson.

Nettoyage des diffuseurs de chaleur

Vous devriez aussi nettoyer de façon périodique les diffuseurs de chaleur avec une solution à base d'eau chaude et de savon. Utiliser une brosse douce pour ôter les résidus de cuisson résistants. Les diffuseurs de chaleur doivent être séchés avant d'être réinstallés.

Nettoyage de la lèchefrite

Le plateau de la lèchefrite doit être vidé et essuyé de façon périodique et nettoyé dans une solution à base d'eau chaude et de savon. Une petite quantité de sable ou de litière pour chat peut être placée dans la lèchefrite pour absorber la graisse. Vérifier fréquemment la lèchefrite. Ne pas laisser la graisse s'accumuler et déborder de la lèchefrite.

Nettoyage annuel de l'intérieur du barbecue

Le décapage du barbecue après chaque utilisation tiendra celui-ci prêt pour la prochaine utilisation. Nettoyez toutefois à fond le barbecue une fois par an afin de le maintenir dans des conditions optimales de fonctionnement. Suivez les étapes suivantes.

1. Fermer entièrement toutes les soupapes des brûleurs sur la position HAUT.
2. Fermer entièrement la soupape de la bonbonne de GPL sur la position HAUT.
3. Détacher le tuyau de GPL et les éléments du régulateur de votre barbecue à gaz. Inspecter les éventuels avaries et remplacer si nécessaire en utilisant les numéros des pièces de rechange du fabricant se trouvant sur la liste des pièces.
4. Enlever et nettoyer les diffuseurs de chaleur, les grilles de cuisson et brûleurs du barbecue.
5. Couvrir chaque orifice de la soupape de gaz avec du papier aluminium.
6. Brosser l'intérieur et le fond du barbecue avec une brosse en nylon et laver avec de l'eau chaude et un savon doux. Rincer minutieusement et laisser sécher.
7. Enlever le papier aluminium puis réinstaller les diffuseurs de chaleur et les grilles de cuisson.
8. Reconnecter l'arrivée du gaz et observer la flamme du brûleur pour s'assurer d'un fonctionnement adéquat.

Nettoyage de la surface externe

• Nous vous recommandons de laver votre barbecue avec une solution à base de savon doux et d'eau chaude. Vous pouvez pour cela utiliser un tissu ou une éponge. N'utilisez pas d'ustensiles abrasifs ou une brosse pour éviter de rayer la surface lors du nettoyage.

Nettoyage des surfaces externes en acier inoxydable

• Le mauvais temps et une chaleur intense peuvent décolorer les surfaces externes en acier inoxydable. Les huiles des machines servant à fabriquer l'acier inoxydable peuvent également provoquer cette décoloration. Utiliser un nettoyant pour acier inoxydable pour polir les surfaces en acier inoxydable du barbecue. Ne jamais utiliser de nettoyants abrasifs ou de tampon à récurer pour éviter de rayer et d'abîmer le barbecue.

Nettoyage des tubes et orifices du brûleur

Pour minimiser les risques de "RETOUR-EN-ARRIÈRE" suivre la procédure ci-dessous au moins une fois par mois à la fin de l'été ou au début de l'automne lorsque les araignées sont le plus actives ou lorsque votre barbecue n'a pas été utilisé depuis longtemps.

1. Fermer les soupapes de tous les brûleurs et celle de la bonbonne de gaz.
2. Détacher les éléments d'assemblage du régulateur de GPL sur le barbecue.
3. Enlever les grilles de cuisson, les diffuseurs de chaleur et la lèchefrite hors du barbecue.
4. Ôter les vis en dessous de chaque brûleur et soulever les brûleurs hors de l'orifice de la soupape de gaz.
5. Utiliser un fil métallique dur en forme de crochet, un tuyau à air ou une brosse pour bouteille et le passer plusieurs fois à travers le tube du brûleur et à l'intérieur pour enlever les saletés.
6. Remettre les brûleurs en place. Voir l'illustration ci-dessous.

Étape 1



Étape 2



Étape 3



AVERTISSEMENT

La position du tube du brûleur par rapport à l'orifice est primordiale pour assurer un fonctionnement en toute sécurité. Vérifier que l'orifice est à l'intérieur du tube du brûleur avant d'utiliser le barbecue à gaz. Si le tube du brûleur ne s'adapte pas sur l'orifice de la soupape, une explosion et/ou un incendie peut se produire lors de l'allumage du brûleur.

Quelque soit la procédure de nettoyage du brûleur employée, nous vous recommandons de suivre les étapes suivantes pour prolonger la durée de vie du brûleur.

1. Utilisez une éponge en fibre ou une brosse en nylon pour nettoyer toute la surface externe de chaque brûleur jusqu'à ce que tous les résidus alimentaires et la saleté aient disparu.
2. Nettoyez les orifices obstrués avec un fil métallique dur tel qu'un trombone à papier redressé.

3. Inspectez les avaries sur chaque brûleur (craquelures ou trous) et au cas où vous en trouvez, commandez et installez un nouveau brûleur. Après l'installation, vérifiez que les orifices des soupapes de gaz sont correctement installés à l'intérieur des extrémités des tubes des brûleurs.



AVERTISSEMENT

Des araignées et des insectes peuvent faire leurs nids à l'intérieur des brûleurs et perturber la circulation du gaz. C'est une condition très dangereuse pouvant causer un incendie derrière le panneau de la soupape, endommageant ainsi la barbecue et rendant son utilisation dangereuse. Inspectez le barbecue au moins deux fois par an.

Troubleshooting

AVANT D'APPELER POUR UNE RÉPARATION

Si le barbecue ne fonctionne pas correctement, utilisez la liste de vérification suivante avant d'appeler le service de réparation.

Vous devriez inspecter les brûleurs au moins une fois par an ou immédiatement après que l'une des conditions suivantes se soit produite:

PROBLÈMES	QUE FAIRE
Le barbecue ne s'allume pas quand on tourne le bouton de commande.	Vérifier si la bonbonne de GPL est vide.
	Nettoyer le fil(s) et/ou l'électrode en frottant avec de l'alcool et un chiffon propre.
	Essuyer avec un chiffon propre.
	Vérifier que le fil est raccordé aux éléments d'assemblage de l'électrode.
	Vérifier le bon fonctionnement des autres brûleurs de l'unité.
	Vérifier le bon fonctionnement des autres. Si oui, vérifier une éventuelle obstruction au niveau de l'orifice de gaz sur le brûleur ne fonctionnant pas bien.
La flamme du brûleur est jaune ou orange et présence d'une odeur de gaz.	Consulter le chapitre nettoyage des tubes et orifices du brûleur en page 15. Si le problème persiste, appelez au 1-800-913-8999.
Faible chaleur avec le bouton de commande sur le réglage "ALLUMER/ HAUT".	Vérifier si le tuyau d'essence est tortillé ou plié.
	Vérifier que le barbecue ne se trouve pas dans un endroit poussiéreux.
	Est-ce qu'un approvisionnement en gaz adéquat est disponible?
	Si seul un brûleur ne fonctionne pas bien, est-ce qu'il est nécessaire de nettoyer l'orifice ou le brûleur? Est-ce que l'arrivée ou la pression du gaz est faible?

Instructions de cuisson



AVERTISSEMENT

Ne pas laisser le barbecue sans surveillance. Votre barbecue chauffe rapidement. Ne jamais vous pencher par-dessus la zone de cuisson pendant l'utilisation de votre barbecue. Ne pas toucher les surfaces de cuisson, le caisson du barbecue, le couvercle ou les autres pièces du barbecue pendant son fonctionnement, ou jusqu'à ce qu'il ait refroidi après utilisation. Le non-respect de ces consignes risque d'entraîner des blessures corporelles graves.

Décapage

Avant de cuisiner avec votre barbecue à gaz pour la première fois, il est recommandé de "décapier" le barbecue afin d'éliminer toute odeur ou corps étranger. Allumer simplement les brûleurs, ôter le couvercle et faire marcher le barbecue sur le réglage HIGH pendant 3 à 5 minutes.

Températures de cuisson

Réglage élevé: Utiliser uniquement ce réglage pour réchauffer rapidement, saisir des steaks ou des côtelettes et pour brûler les résidus alimentaires sur le barbecue une fois la cuisson terminée. **Ne jamais** utiliser le réglage ÉLEVÉ pour une cuisson prolongée.

Réglages moyen à faible: La plupart des recettes nécessite un réglage moyen à faible, dont toutes les cuissons par fumaison, la cuisson à la rôtissoire et la cuisson des viandes telles que le poisson.

REMARQUE: Les réglages varient en fonction de la température et la force du vent.

Cuisson directe

La méthode de cuisson directe peut être utilisée avec les grilles de cuisson fournies et en installant les aliments directement au-dessus des brûleurs du barbecue.

Le couvercle du barbecue doit être ouvert pour la cuisson directe. La méthode est idéale pour saisir les viandes et quand vous voulez que les viandes, les volailles et le poisson aient un goût grillé. Les fritures et les fumaisons sont également meilleures par cette méthode parce qu'elles nécessitent une chaleur directe.



AVERTISSEMENT

Ne pas couvrir le fond du caisson du barbecue avec du papier aluminium, du sable et d'autres produits qui limiteront l'écoulement des graisses dans la lèchefrite. Le non-respect de ces consignes peut provoquer un incendie ou une explosion pouvant causer des blessures corporelles graves, mortelles ou des dégâts matériels.

Cuisson indirecte

Pour cuire **de façon indirecte**, les aliments doivent être placés à droite ou à gauche du barbecue avec le brûleur allumé sur le côté opposé. **La cuisson indirecte doit être effectuée avec le couvercle rabattu.**

Flambées soudaines

Les graisses et les jus produits par les aliments grillés peuvent causer des flambées soudaines. Les flambées soudaines donnent un bon goût distinct ainsi que de la couleur aux aliments. Elles sont ainsi acceptables jusqu'à un certain point. Néanmoins, les flambées soudaines non contrôlées peuvent ruiner un repas.



PRÉCAUTION

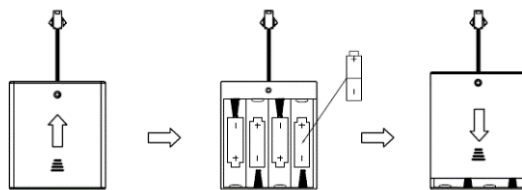
Pour éviter d'abîmer le brûleur(s) adjacent(s), l'écran thermique du fourneau doit être correctement inséré en place lors de l'utilisation du brûleur marquant.

Remplacement de la batterie

Si la lumière LED ne s'allume pas, la batterie doit être remplacée.

Instruction pour remplacer la batterie LED.

1. Trouvez le caisson de batteries et ouvrez le couvercle.
2. Placez 4 batteries "AA" dans le caisson de batteries. Le pôle positif et négatif de chaque batterie doit être identique que le pôle dans le caisson.
3. Fermez le couvercle.



Élimination correcte de ce produit

La présence de ce symbole indique que vous ne pouvez vous débarrasser de ce produit de la même façon que vos déchets courants.

Par mesure de prévention pour l'environnement et pour la santé humaine, veuillez séparer ces composants des autres types de déchets et les recycler conformément au principe de réutilisation des ressources matérielles.

Pour retourner votre appareil usagé, utilisez les systèmes de retour et de collecte ou contactez le revendeur où le produit a été acheté. Ceux-ci peuvent procéder au recyclage du produit en toute sécurité.

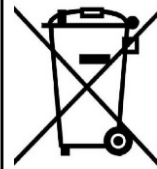


TABLEAU DE CUISSON AU BARBECUE

AVERTISSEMENT: Pour garantir votre sécurité alimentaire, les aliments doivent être cuits aux températures minimales internes comme décrit dans le tableau ci-dessous.

Températures internes minimales de sécurité recommandées par l'USDA

Poisson	145° F
Porc	160° F
Plats aux œufs	160° F
Steaks et rôtis de bœuf, de veau ou d'agneau	145° F
Bœuf, veau ou agneau haché	160° F
Volaille entière (Dinde, poulet, canard etc)	165° F
Volaille hachée ou en morceaux (Blanc de poulet etc)	165° F

*Département d'Agriculture des États-Unis

ALIMENT	Poids ou épaisseur	Température	Durée	Instructions spéciales et astuces
Légumes	NC	Moyen	8 à 20 minutes	Trancher ou couper les légumes et badigeonner avec du beurre ou de la margarine. Envelopper de façon serrée dans du papier aluminium. Griller en tournant de temps en temps.
Pommes de terre	Entières	Moyenne	40 à 60 minutes	Envelopper individuellement dans du papier aluminium. Cuire en tournant de temps en temps.
Viande/Steak	1/2 à 3/4 pouces	Élevée-Moyenne	4 à 15 minutes	Préchauffer le barbecue pendant 15 à 20 minutes puis faites griller les steaks sur chaque côté pendant 2 minutes. Faites griller ensuite pendant 3 à 5 minutes sur chaque face ou jusqu'au degré de cuisson souhaité.
Viande hachée	1/2 à 3/4 pouces	Moyenne	8 à 15 minutes	Faire griller en tournant une fois lorsque les jus apparaissent à la surface ou jusqu'à cuit comme souhaité. Ne pas laisser les hamburgers sans surveillance pour éviter les flambées soudaines.
Côte	1/2 ou entière	Moyenne	20 à 40 minutes	Faire griller en tournant de temps en temps. Badigeonner pendant les dernières minutes avec de la sauce pour barbecue. Tourner plusieurs fois.
Hot dogs	NA	Moyenne	5 à 10 minutes	Faire griller en tournant quatre fois. 2-4 minutes sur chaque côté.
Morceaux de volaille	1/4 à 1/2 livres	Faible ou moyenne	20 à 40 minutes	Faire griller en tournant de temps en temps. Badigeonner pendant les dernières minutes avec de la sauce pour barbecue si souhaité. Tourner plusieurs fois.
Volaille entière	2 à 3 livres	Faible ou	1 à 1-1/2 heures	Utiliser la broche pour volaille et badigeonner souvent comme souhaité.
		moyenne	40 à 60 minutes	Utiliser la broche à volaille et badigeonner souvent comme souhaité.
Poisson	3/4 à 1 pouce	Moyen	8 à 15 minutes	Faire griller en tournant une seule fois jusqu'à obtention du degré de cuisson souhaité. Badigeonner avec du beurre, de la margarine ou de l'huile.