



## MISSING A PART?

There is no need to return this item to the store.  
Instead call our TOLL FREE HOTLINE:

**1-800-253-1561**

We appreciate your purchase of the HyLoft® storage system. Knap & Vogt has made every effort to supply a quality product that insures a lifetime of trouble-free service. In the event that you have any type of problems, and BEFORE RETURNING THE UNIT TO THE SELLER, please call our toll free number 1-800-253-1561.

### HyLoft 60" x 45" Ceiling Storage Unit Limited Warranty

Knap & Vogt warrants this product against defects in the material or workmanship for the life of the product. Knap & Vogt agrees to either repair the product or replace it at the sole discretion of Knap & Vogt. This warranty does not include any costs associated with the physical installation, removal, or return of the HyLoft 60" x 45" Ceiling Storage Unit.

**This warranty is valid and enforceable provided that the maximum weight supported by each HyLoft 60" x 45" Ceiling Storage Unit does not exceed 300 pounds, evenly distributed. The customer, dealer, and/or installer releases Knap & Vogt of all claims, which includes the HyLoft unit and the structure it is attached to, if the loaded weight exceeds 300 pounds. The unit must also be installed according to the manufacturer's instructions. At no time should you install more than two HyLoft units on any two ceiling beams (rafters, studs, roof trusses, etc.). All fasteners must be checked and tightened at least annually.**

Only the original purchaser of this product is extended this warranty. No warranty work will be provided under this warranty without purchaser's original receipt or other proof of the date of the original purchase acceptable to Knap & Vogt. Proof of the date of purchase must be provided to Knap & Vogt if the product is returned.

This Knap & Vogt limited warranty covers product failure due to defects in materials or workmanship ONLY! It does not cover corrosion, rust or discoloration of it's components, or product failure due to misuse, abuse, faulty installation, alteration, lack of reasonable care, or any other failure not related to the defects in materials or workmanship.

There are NO other warranties expressed or implied except those stated herein as required by applicable law.

KNAP & VOGT SHALL NOT BE LIABLE FOR INCIDENTAL, SPECIAL, OR CONSEQUENTIAL DAMAGES RESULTING FROM THE USE OF THE PRODUCT OR ARISING OUT OF ANY BREACH OF THIS WARRANTY.

ALL IMPLIED WARRANTIES, IF ANY, INCLUDING IMPLIED WARRANTIES OR MERCHANTABILITY AND FITNESS FOR A PARTICULAR PURPOSE, ARE LIMITED TO THE DURATION OF THIS WARRANTY.

Some states do not allow the exclusion or limitation of incidental or consequential damages, or limitations on how long an implied warranty lasts, so the above exclusions or limitations may not apply to you. No other warranty, written or verbal, will be honored for this product. This warranty gives you the specific legal rights and you may also have other rights that vary from state to state.

Knap & Vogt is not responsible for damages of merchandise in transit. Repaired or replaced products shall be subject to the terms of this warranty, to be inspected by Knap & Vogt prior to return shipment. Damages incurred during transit should be reported at once to the carrier and a claim should be filed with them.

**Knap & Vogt®**  
**Grand Rapids, MI 49505 U.S.A.**

**For more information, accessories, and frequently asked questions, visit the HyLoft website:  
[www.HyLoft.com](http://www.HyLoft.com)**



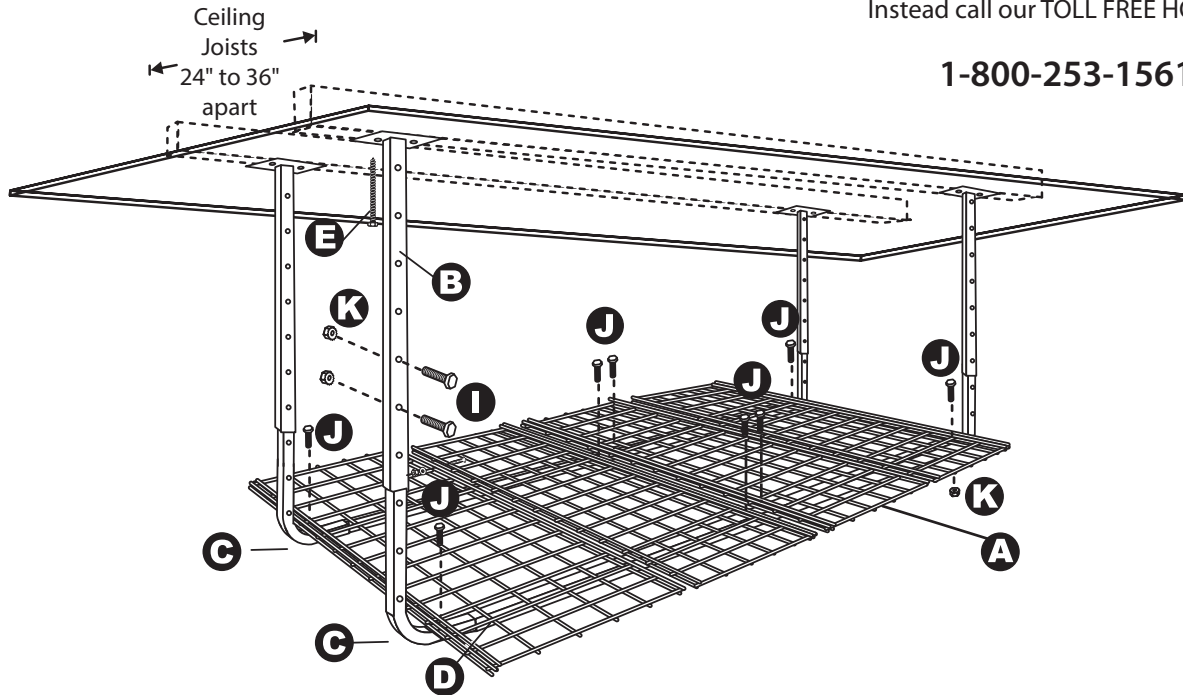
# ASSEMBLY INSTRUCTIONS

## 60" x 45" Ceiling Storage Unit

### MISSING A PART?

There is no need to return this item to the store.  
Instead call our TOLL FREE HOTLINE:

**1-800-253-1561**

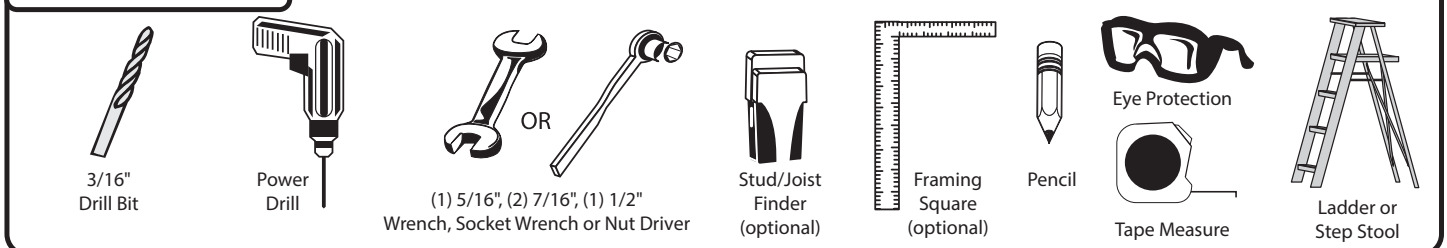


### Parts Included

**IMPORTANT: Read through entire instructions before beginning any installation.**

<b>A</b> (4) Wire Grids 15" x 45" 		<b>B</b> (4) Downrods 		<b>C</b> (4) Corner Rods 	
<b>D</b> (2) Support Bars 		<b>E</b> (8) Lag Screws 5/16" x 2-1/2" 		<b>F</b> (4) Carriage Bolts (#6 x 1-7/8") 	
<b>G</b> (4) #6 Hex Nuts  Use 5/16" Wrench	<b>H</b> (4) #6 Washers  Use 1/2" Wrench	<b>I</b> (16) Hex Bolts 1/4" x 1-1/2"  Use 7/16" Wrench		<b>J</b> (8) Carriage Bolts (1/4" x 2") 	
<b>K</b> (24) 1/4" Flange Nuts  Use 7/16" Wrench		<b>L</b> HyLoft Sticker 			

### Tools Required:



**Installation Time: Approximately 30 minutes**

**Important: Read through entire instructions before beginning any installations.**

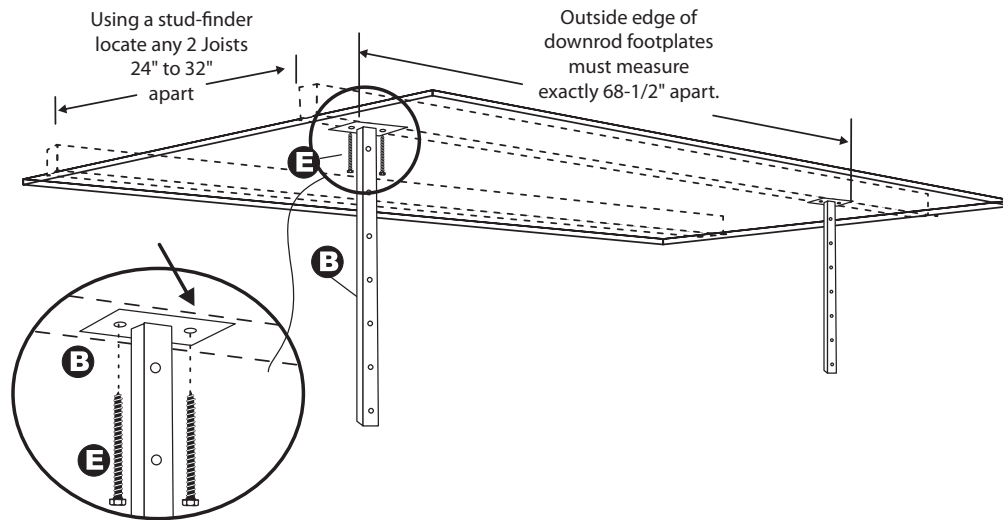
Locate the ceiling joists in the area of desired installation and determine the direction in which they are running. The ceiling mounting plates on Downrods (B) are installed parallel to the ceiling joists. Refer to the diagram below for additional installation clarification.

---

**IMPORTANT:** Do not over-tighten the Lag Screws (max 10 ft. lbs.). They only need to be fully seated, no more. Do not use an impact driver.

---

## 1. Install Downrods



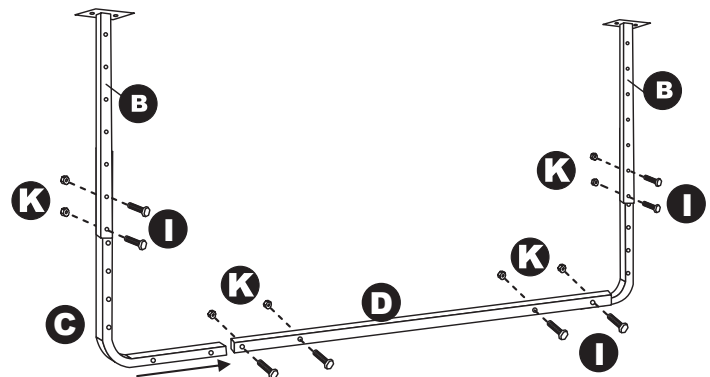
**1A:** Place Downrod (B) against ceiling under joist location and mark holes running parallel with the joist. Pre-drill each hole location using a 3/16" drill bit. Rub bar soap or add a drop of liquid soap to the threads of the Lag Screws (E) to ease installation. Install Downrod (B) using 1/2" Socket Wrench or Nut Driver and (2) 5/16" x 2-1/2" Lag Screws (E).

**1B:** From the outside edge of the Downrod (B) footplate just installed, measure 68-1/2" along ceiling joist and mark this location. This mark will be the OUTSIDE edge of the second Downrod (B). Install second Downrod (B) using the same process as in 1A and make sure it lines up with the first Downrod (B) installed on the joist.

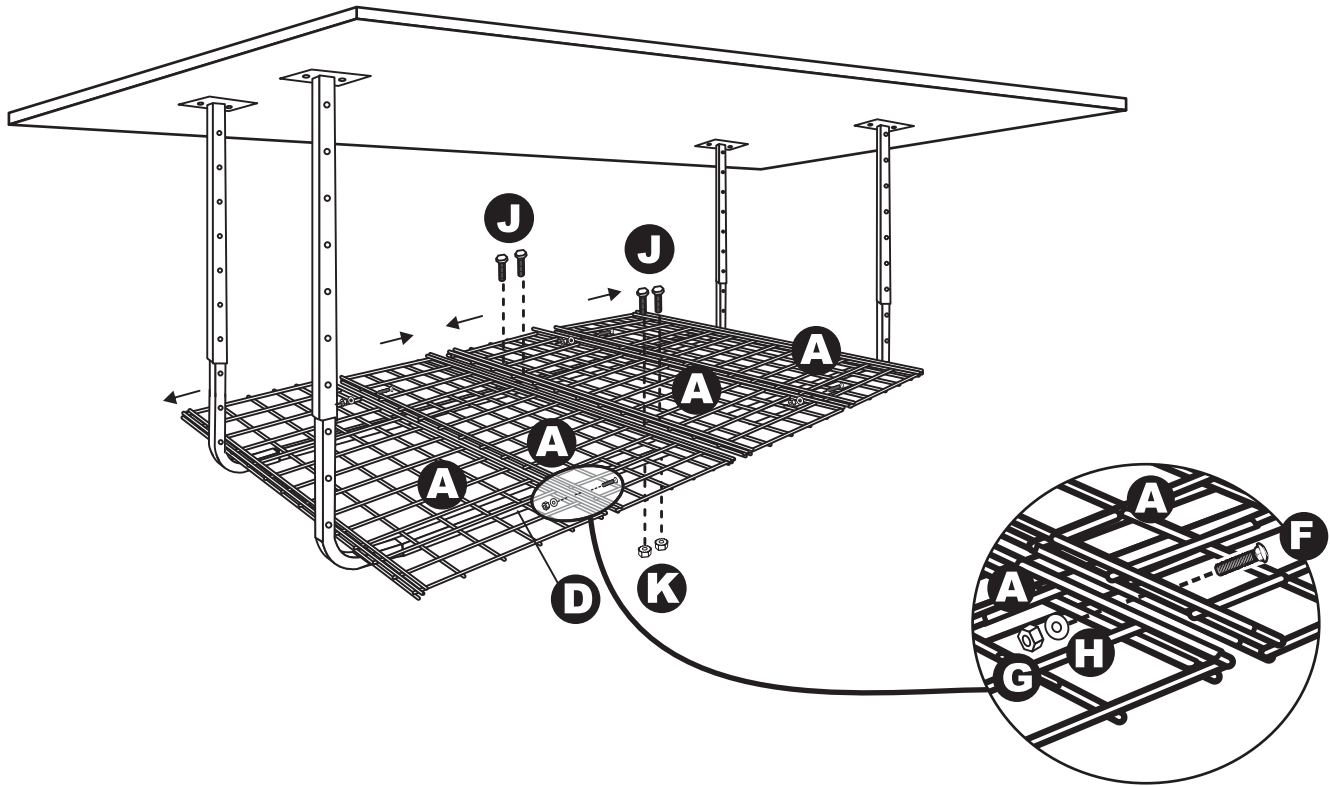
## 2. Install Corner Rods & Support Bars

**2A:** Attach (2) Corner Rods (C) to each of the Support Bars (D) using (4) 1/4" x 1-1/2" Hex Bolts (I) and (4) 1/4" Flanged Nuts (K).

**2B:** Determine the length down from the ceiling you want the unit to hang (from 31" to 41"). Attach the Corner Rod (B) and Support Bar (C) assembly to each Downrod (B) at the predetermined length using (2) 1/4" x 1-1/2" Hex Bolts (I) and (2) 1/4" Flanged Nuts (K) for each. Repeat for the other set of Downrods (B). Ensure both assemblies are parallel and in line to each other.



### 3. Install Grids



- 3A:** Place Grids (A) across the two hanging Support Bar (D) assemblies making sure the long wires of the Grids (A) are facing down and the overhang is even on both sides.
- 3B:** Fasten (2) Center Grids (A) to Support Bars (D) through the quad wire section of the Grids (A) using (4) 1/4" x 2" Carriage Bolts (J) and 1/4" Flange Nuts (K) as shown. **DO NOT TIGHTEN AT THIS TIME.**
- 3C:** Attach (2) sets of outer Grids (A) together using (2) #6x1-7/8" Carriage Bolts (F), (2) #6 Washers (H), and (2) #6 Hex Nuts (G) on both sides. Tighten Center Grids (A) to Support Bars (D).

**You have now completed the installation and are ready to load your new HyLoft Storage Unit. (Maximum 300 lbs. per 60" x 45" unit, evenly distributed).**

Place the HyLoft Sticker (L) provided on a support bar for easy reference information.

Periodically (at least annually) check all connections to ensure that they remain tightly fastened.