

GDF645SGN/SMN/SSN

GE® Stainless Steel Interior Dishwasher with Front Controls

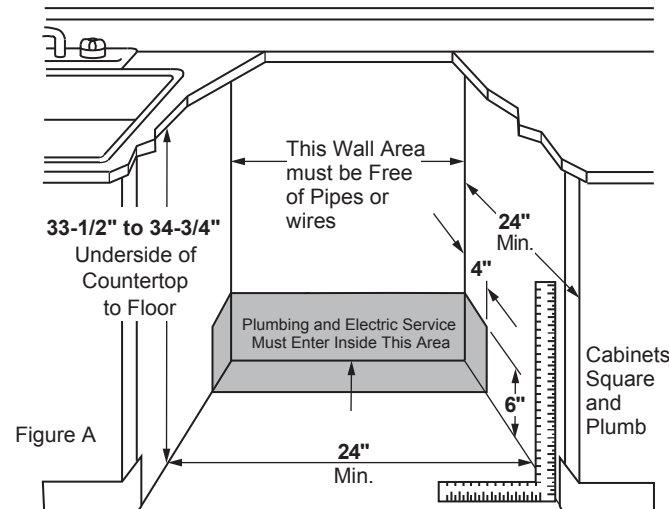
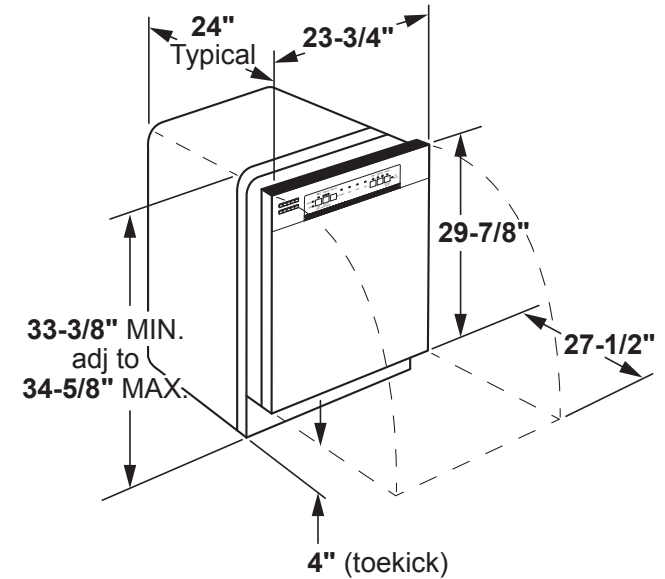
DIMENSIONS AND INSTALLATION INFORMATION (IN INCHES)

ELECTRICAL RATING

Voltage AC.....	120
Hertz.....	60
Total connected load amperage.....	6.6
Calrod® heater watts max.....	800/500

For use on adequately wired 120-volt, 15-amp circuit having 2-wire service with a separate ground wire. This appliance must be grounded for safe operation.

INSTALLATION INFORMATION: Before installing, consult installation instructions packed with product for current dimensional data.



For answers to your GE Profile™ Series or GE Appliances product questions, visit our website at geappliances.com or call GE Answer Center® Service, 800.626.2000.



Certified to NSF Standard 184 for sanitation



Listed by Underwriters Laboratories



As an ENERGY STAR® partner, GE has determined that this product meets the ENERGY STAR guidelines for energy efficiency.

Specification Revised 4/20

GDF645SGN/SMN/SSN

GE® Stainless Steel Interior Dishwasher with Front Controls

FEATURES AND BENEFITS

Dry Boost™ with Fan Assist – Gets hard-to-dry items up to 3 times drier than heated dry cycles
*Compared to heated dry option

Bottle Jets – Clean hard-to-reach areas inside tall items with up to 4 dedicated jets integrated into the upper rack that shower water deep inside for the ultimate clean

Active Flood Protect – An internal sensor prevents the dishwasher from overflowing, so you have peace of mind with every cycle

Wash Zones – Wash a true half-load in either the upper or lower rack without sacrificing cycles and options available on a full wash

Steam + Sani – Loosens tough soils before any cycle virtually eliminating the need for soaking or pre-rinsing dishes. Plus a High-temperature rinse sanitizes and reduces 99.999% of bacteria found on dishes

1 Hour Wash – Enjoy a quality clean when you're short on time

Manual + Adjustable upper rack – Fitting plates up to 10½" and other tall items in the upper rack is possible with an adjustment

Piranha Hard Food Disposer – To ensure consistently clean items, this stainless steel blade rotates at 3,600 RPM to pulverize food particles and helps to prevent large particles from clogging the wash arms

AutoSense cycle – Automatically adjusts to soil level to maximize energy savings and ensure clean dishes

16 Place Setting Capacity – Easily clean dishes after large gatherings thanks to extra capacity that holds up to 16 place settings

48 dBA – Ultra-quiet operation creates a peaceful kitchen environment even as it delivers powerful wash performance

Model GDF645SSNSS – Stainless steel

Model GDF645SGNWW – White

Model GDF645SGNBB – Black

Model GDF645SMNES – Slate

