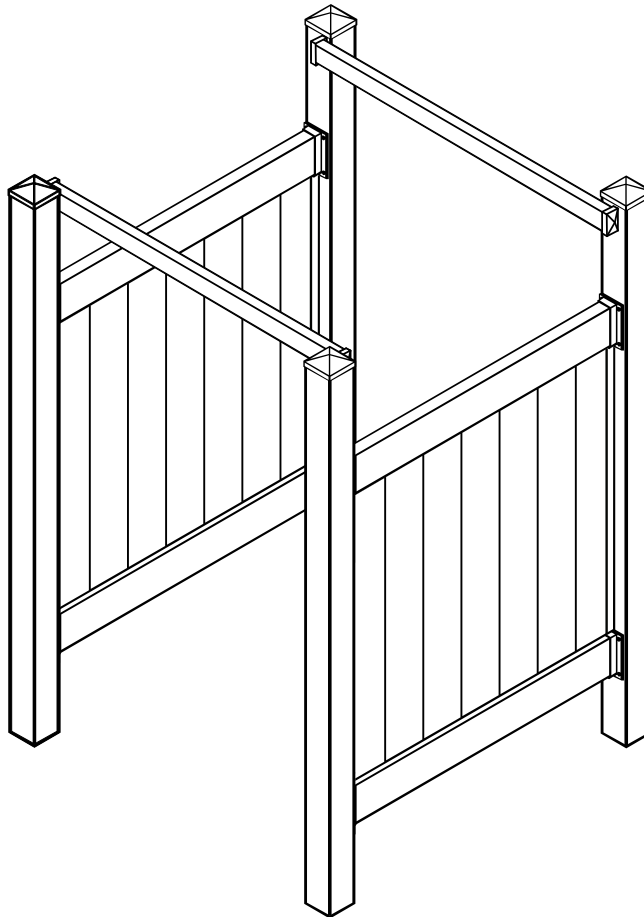




Liquid Sunshine[®]
OUTDOOR PRODUCTS

ECONOMY OUTDOOR SHOWER STALL

Assembly and Installation Instructions



Please Read Installation Instructions Completely Before Starting.

**Shower Curtain and Plumbing Sold Separately*

Do Not Contact The Store About
Missing Parts Or Installation Support.

CALL 1-844-743-5140

www.OutsideShower.com



Before You Begin:

- **Check Local Zoning Laws.** Zoning laws may restrict the location and height of your enclosure. Permits may also be required.
- **Underground Utilities.** Dial 811 to have underground utility lines marked. Even at shallow depths, utility lines can be present.
- **Tools and Materials.** Check that all tools and materials are present to properly assemble your enclosure.

Tool List:

- Circular Saw / Hand Saw / Chop Saw
- Post Hole Digger / Auger
- Line Level
- Post Level
- Tape Measure
- Ratchet Set
- Drill Gun #2, #3, Phillips
- Driver Bit Extender (Recommended)
- Hammer
- Safety Glasses
- Black Sharpie or Carpenter's Pencil

Additional Materials:

- Rags and Spray Cleaner
- 4x4x96" Lumber
- Pre-Mixed Concrete
- Glue / Post Top Clips

Enclosure Parts and Assembly:

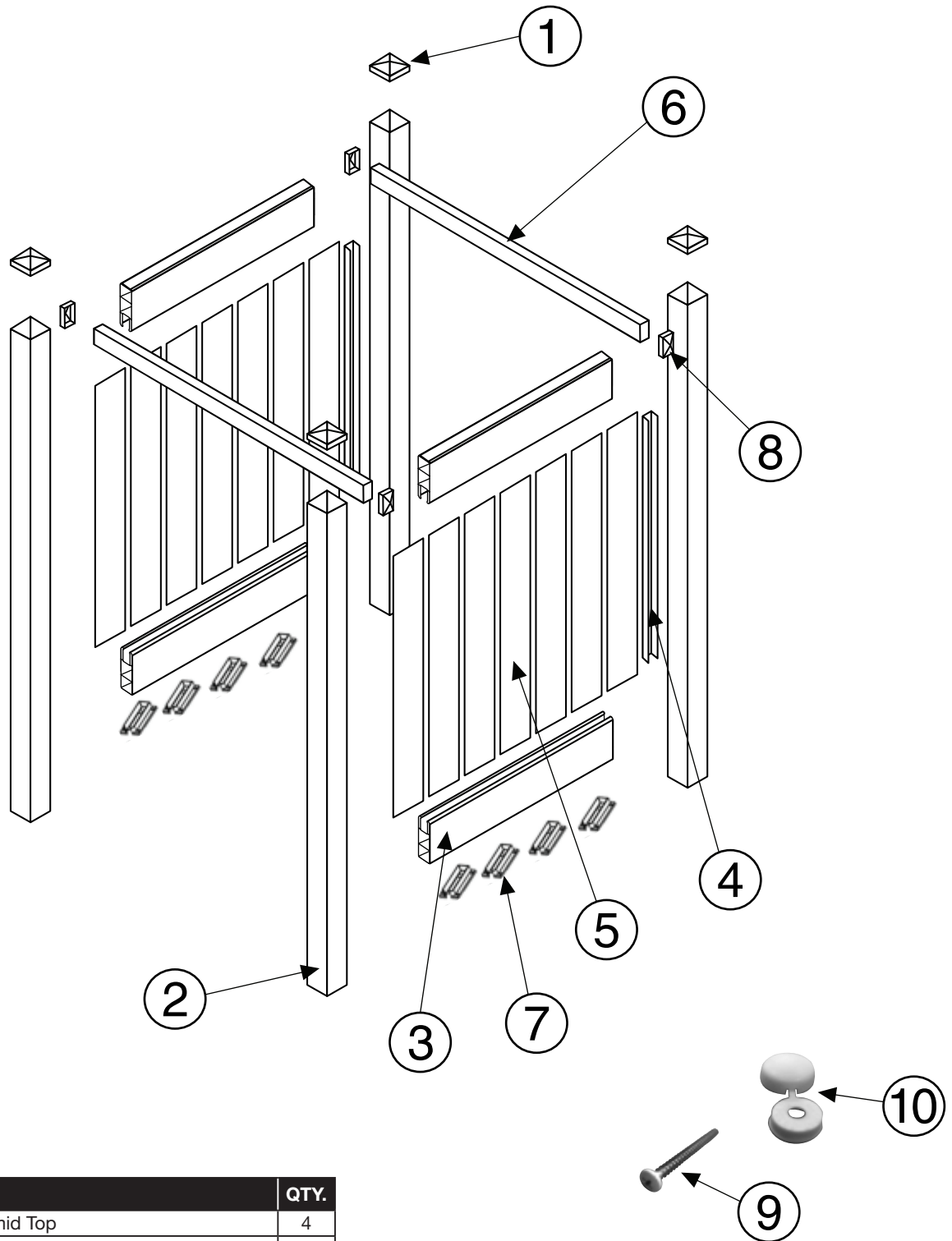
Please take a complete inventory of all parts prior to enclosure assembly. Do not attempt to assemble if parts are missing or damaged.

For Replacement Parts or Assistance:

CALL 1-844-743-5140



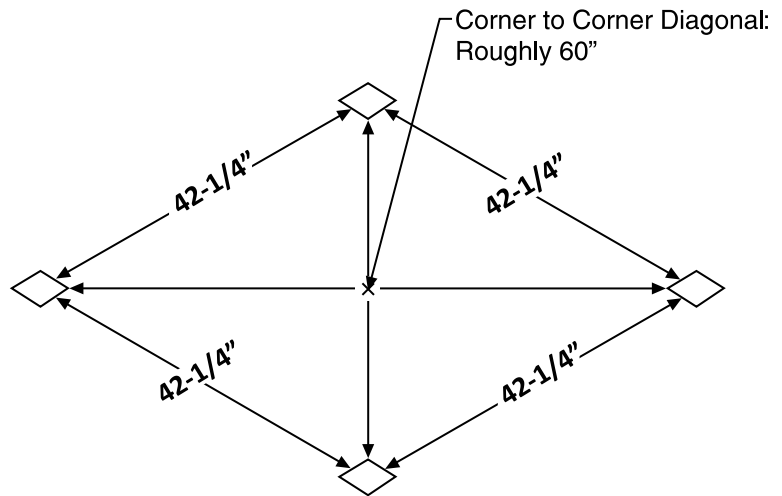
Parts List:



ITEM #	DESCRIPTION	QTY.
1	4"x4" Post Pyramid Top	4
2	4"x4"x96" Vinyl Post White	4
3	41.75"x5.47"x42.125" Privacy Panel Rail	4
4	1.02"x1.379"x47.5" U-Channel	2
5	0.875"x6"x52" - 0.35W Tongue & Groove Board	14
6	0.875"x1.5"x44.125" Curtain Rod	2
7	1.75"x5.5" Bracket Kit (Screws Included)	4
8	0.875"x1.5" End Cap	4
9	Pan Head Screw	8
10	Screw Head Cap	8

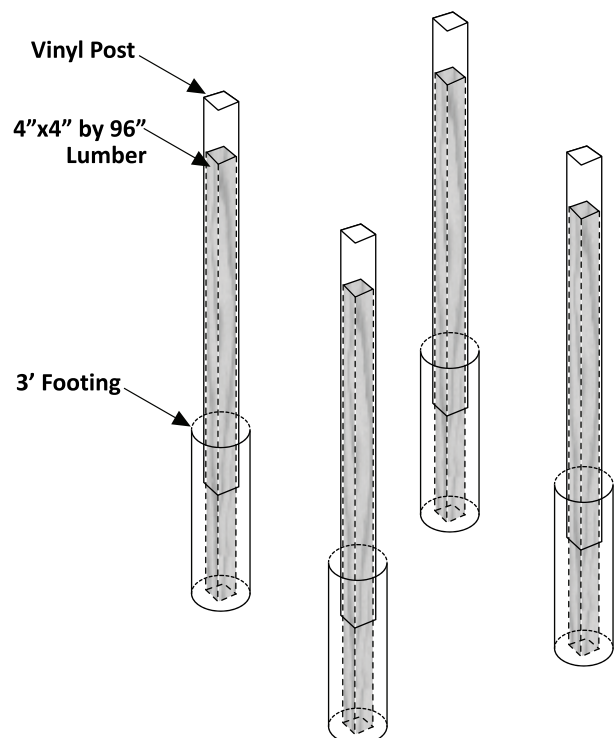
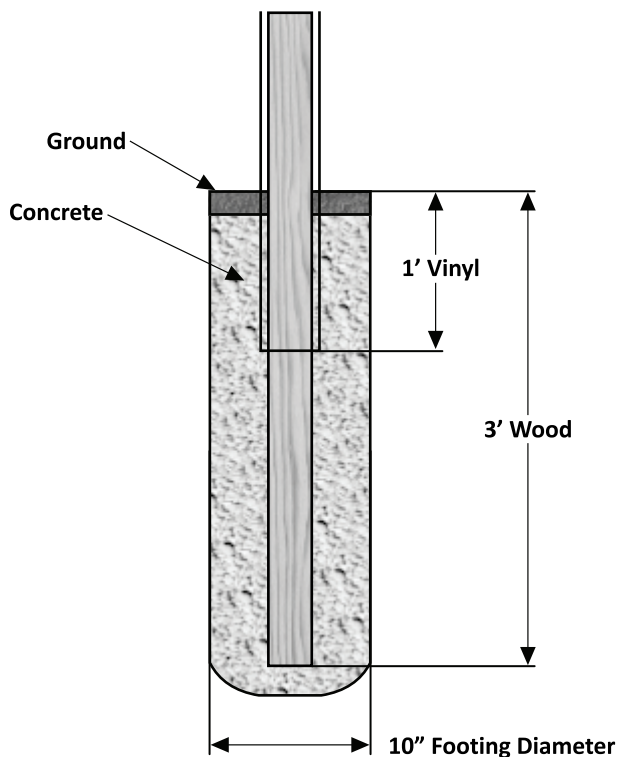
1. Measure and Mark Post Layout

1. Measure, mark, and “square” posts according to dimensions shown. Use “Corner to Corner Diagonal” dimension as a reference to ensure that posts are squared.



2. Post Installation

1. Dig a 3 foot deep by 10 inch diameter hole for each post footing. Use a **post hole digger** or an **auger**.
2. Slide **4x4 vinyl posts** over **4x4x96" lumber** so that 2 feet of lumber is extended below vinyl posts. Secure lumber to posts with included pan head screws below finish grade.
3. Insert posts and double-check measurements. Pour **pre-mixed concrete** into holes and use a **post level** to make plumb.

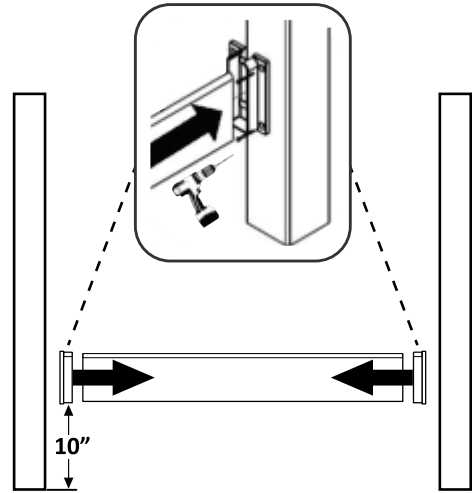




3. Wall Panel Installation

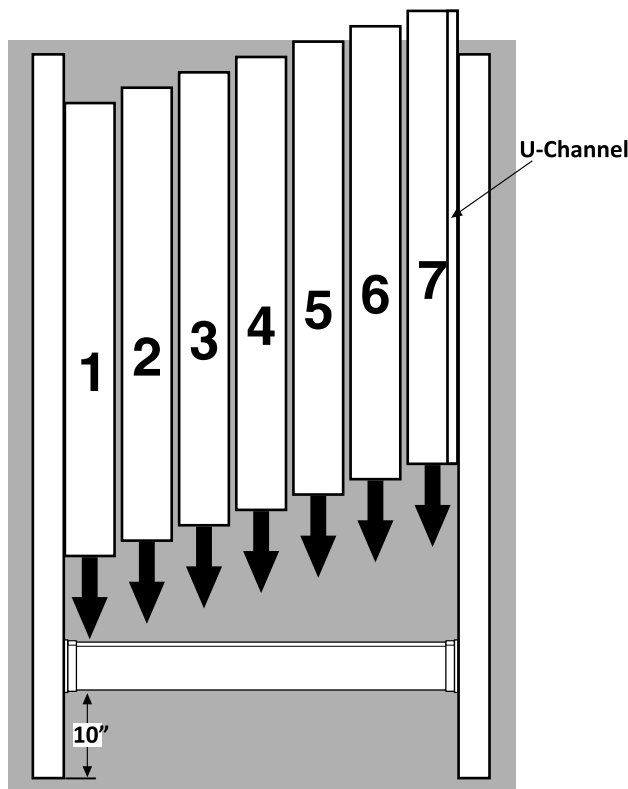
Step-1 Bottom Rail

1. Slide brackets onto bottom rail and lift into place between posts.
2. Offset bottom brackets 10" above finish grade and center bottom rail on posts.
3. Mount brackets to posts using included 4 screws per bracket. Insert white screw head caps to hide screws.



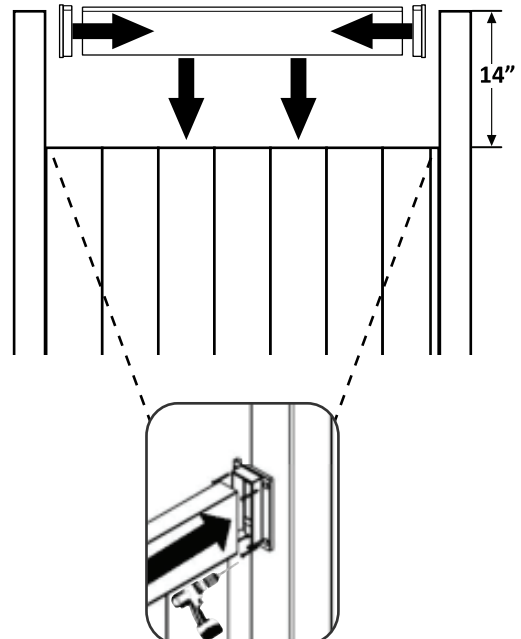
Step-2 Vertical Tongue and Groove Boards

1. Insert vertical tongue and groove boards into bottom rail from left to right.
2. Place U-Channel vertically on edge of tongue and groove board #7 as shown.



Step-3 Top Rail

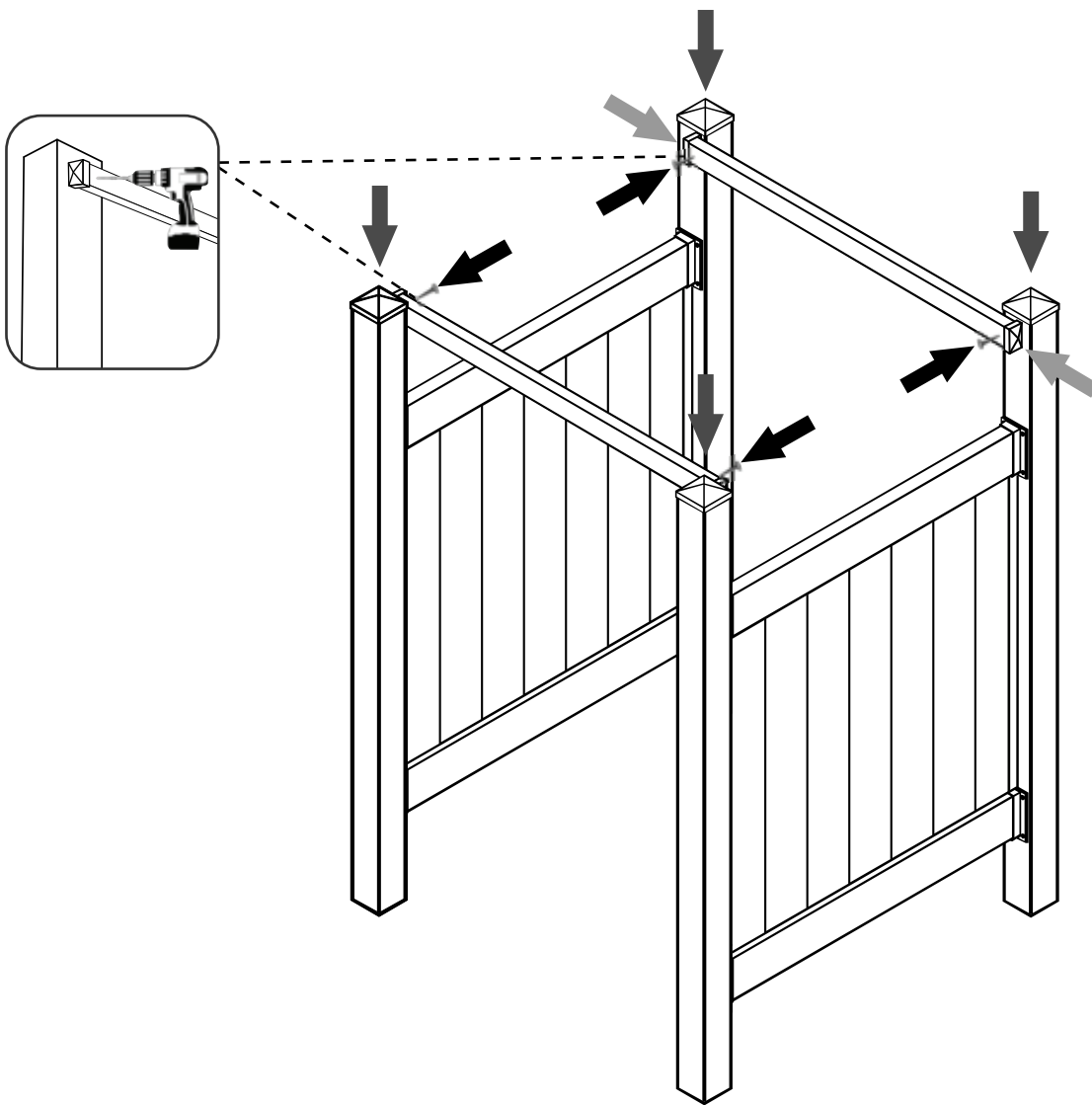
1. Slide brackets onto top rail and place on top of vertical tongue and groove boards.
2. Mount brackets to posts using included 4 screws per bracket. Insert white screw head caps to hide screws.





4. Curtain Rod Installation

1. Attach end caps to ends of curtain rods. Use **glue** to create a stronger bond.
2. Place curtain rods on interior side of posts as shown. Mount curtain rods to posts using included 2 pan head screws per rod. Insert white caps to hide screws.



5. Post Tops Installation:

1. Place post tops on top of posts. Use **glue or post top clips** to create a stronger bond.