



Blakely Corner Sectional Assembly Instructions

Before beginning assembly, layout all parts on a soft, scratch resistant surface. Contact SE Brands directly if any parts are missing. We will gladly provide free replacements.

Please do not contact your retail store for replacement parts, or assembly questions.

During assembly, hand tighten each bolt until all bolts are started. Once each bolt is started, you can fully tighten them down. This helps to insure all piece align properly and makes assembly a much easier process.


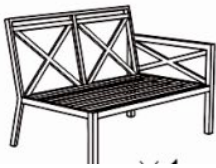








QUESTIONS? MISSING PARTS?

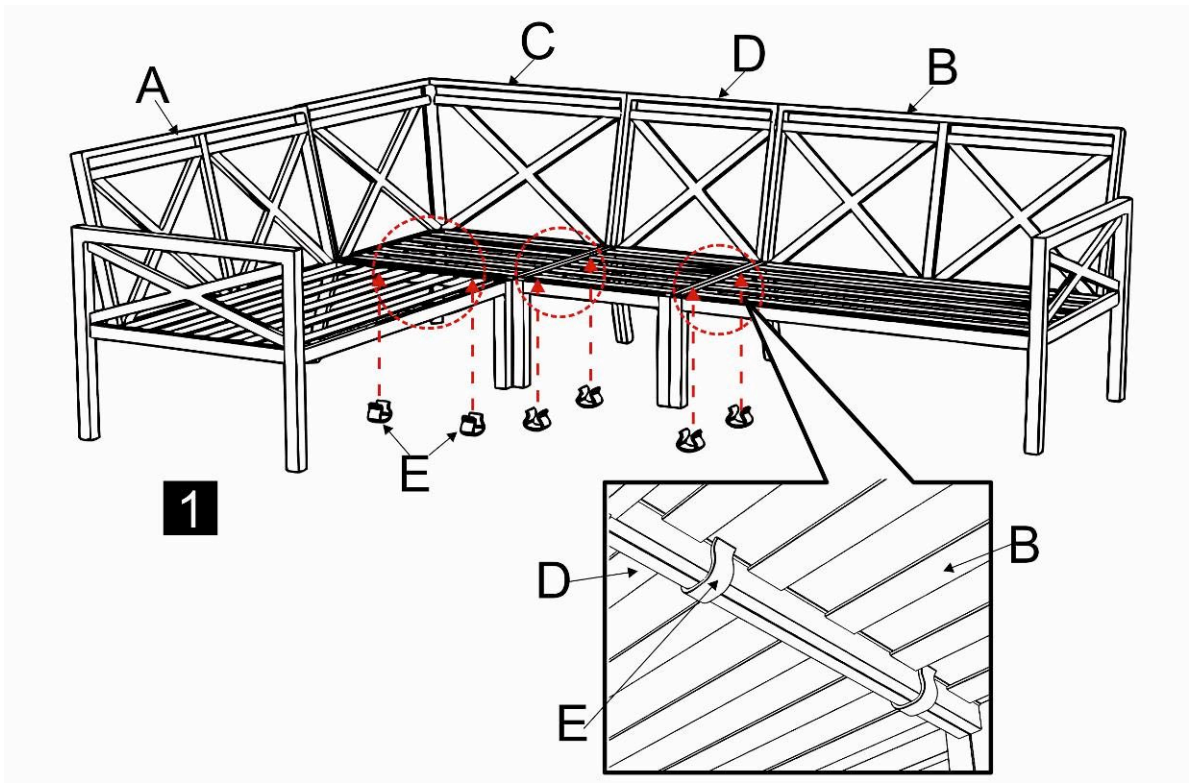
Contact SE Brands directly for the fastest service.

hello@sebrandsinc.com


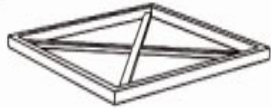





888-682-3012

Blakely Corner Sectional

			
A. Right Arm Loveseat	B. Left Arm Loveseat	C. Corner	D. Armless Chair
1PC	1PC	1PC	1PC
			
E. U-Clip	W. 22" Back Cushion	V. 22" Seat Cushion	X. Corner Seat Cushion
16PCS	5PCS	5PCS	1PC
			
Y. Large Corner Back Cushion	Z. Small Corner Back Cushion		
1PC	1PC		



Blakely Coffee Table

			
A1. Table Leg 2PCS	B1. Table Rim 1PC	C1. Glass 1PC	D. Bolts(M6x20mm) 8PCS
			
E. Metal Washer(M6) 8PCS	F. Plastic Bolt Cap(M6) 8PCS	G. Allen Wrench 1PC	

