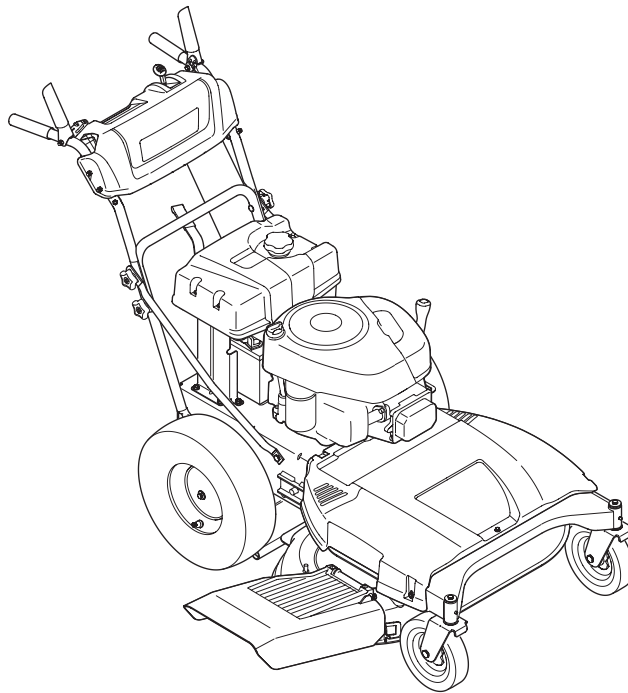

Cub Cadet[®]

ILLUSTRATED PARTS MANUAL



33" Wide Cut Mowers — CC 760 ES

CUB CADET LLC, P.O. BOX 361131 CLEVELAND, OHIO 44136-0019

To The Owner

Thank You

Thank you for purchasing a Cub Cadet Wide Cut Mower. It was carefully engineered to provide excellent performance when properly operated and maintained.

All information in this manual is relative to the most recent product information available at the time of printing. Please be aware that this Illustrated Part's Manual may cover a range of product specifications for various models.

Components listed and/or illustrated in this manual may not be applicable to all models. We reserve the right to change product specifications, designs and equipment without notice and without incurring obligation.

Throughout this manual, all references to *right* (RH) and *left* (LH) are observed from the operating position.

Table of Contents

[Drive and Deck 4](#)
[CC 760 ES Dash 6](#)
[Labels CC 760 ES 8](#)
[Tecumseh Transmission 10](#)
[Engine Model 4P90MUB 12](#)

Record Product Information

To ease in ordering replacement parts, please locate the model plate on the equipment and record the information in the provided area to the right. You can locate the model plate by looking beneath the seat.

MODEL NUMBER

| | | | | | | | | | | | |
|--|--|--|--|--|--|--|--|--|--|--|--|
| | | | | | | | | | | | |
|--|--|--|--|--|--|--|--|--|--|--|--|

SERIAL NUMBER

| | | | | | | | | | | | |
|--|--|--|--|--|--|--|--|--|--|--|--|
| | | | | | | | | | | | |
|--|--|--|--|--|--|--|--|--|--|--|--|

Painted Parts

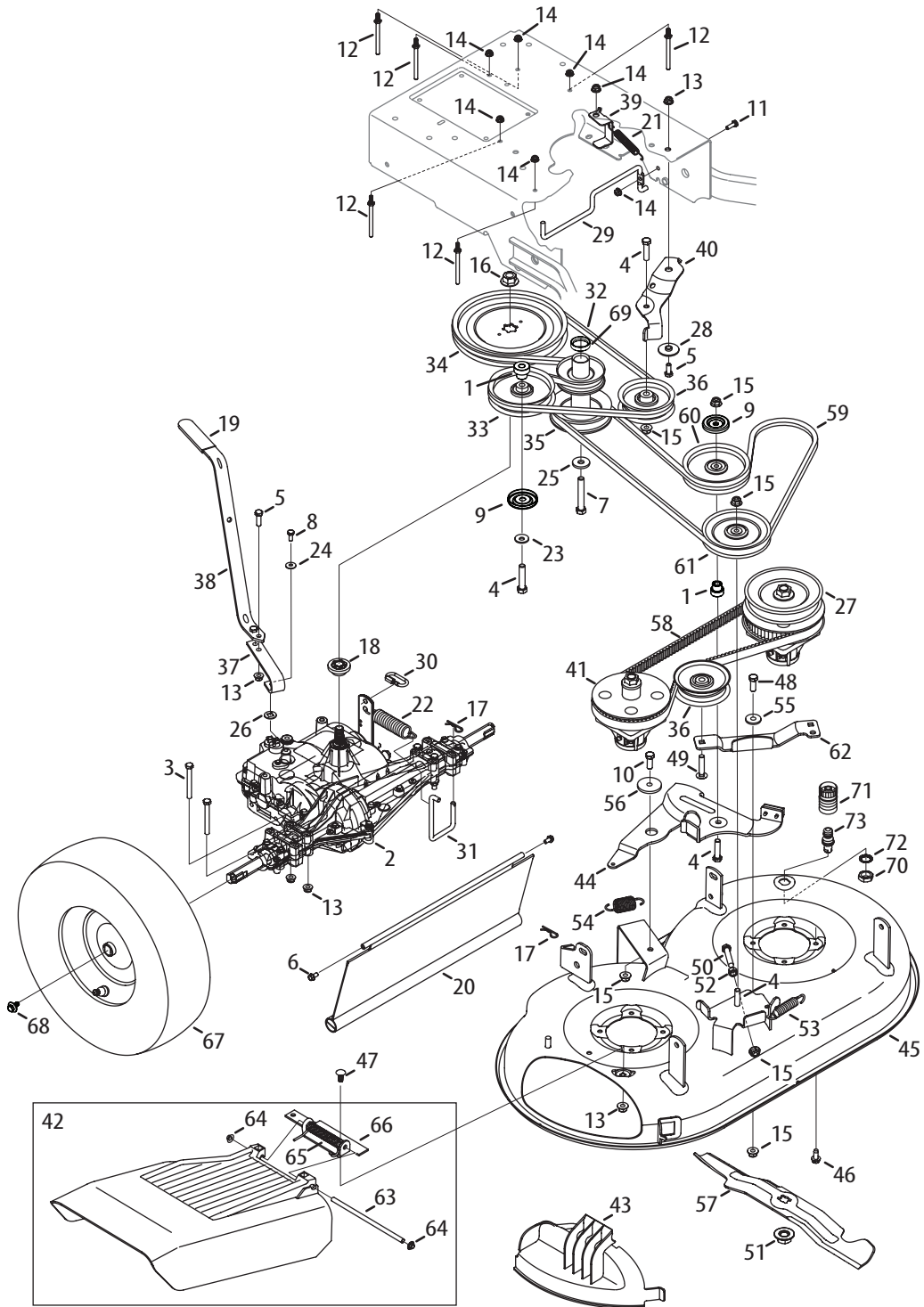
When ordering painted service parts, a four digit color suffix must be added to the part number (e.g. 783-XXXXX-0637). Please refer to the table below for current color codes:

| | |
|------|--------------------|
| 0637 | Black |
| 4021 | Yellow (Cub Cadet) |
| 0499 | Beige (Cub Cadet) |

| | |
|------|-----------------------------------|
| 0685 | Blue (Cub Cadet) |
| 0691 | Black Jack (Cub Cadet Commercial) |

This page intentionally left blank.

Drive and Deck

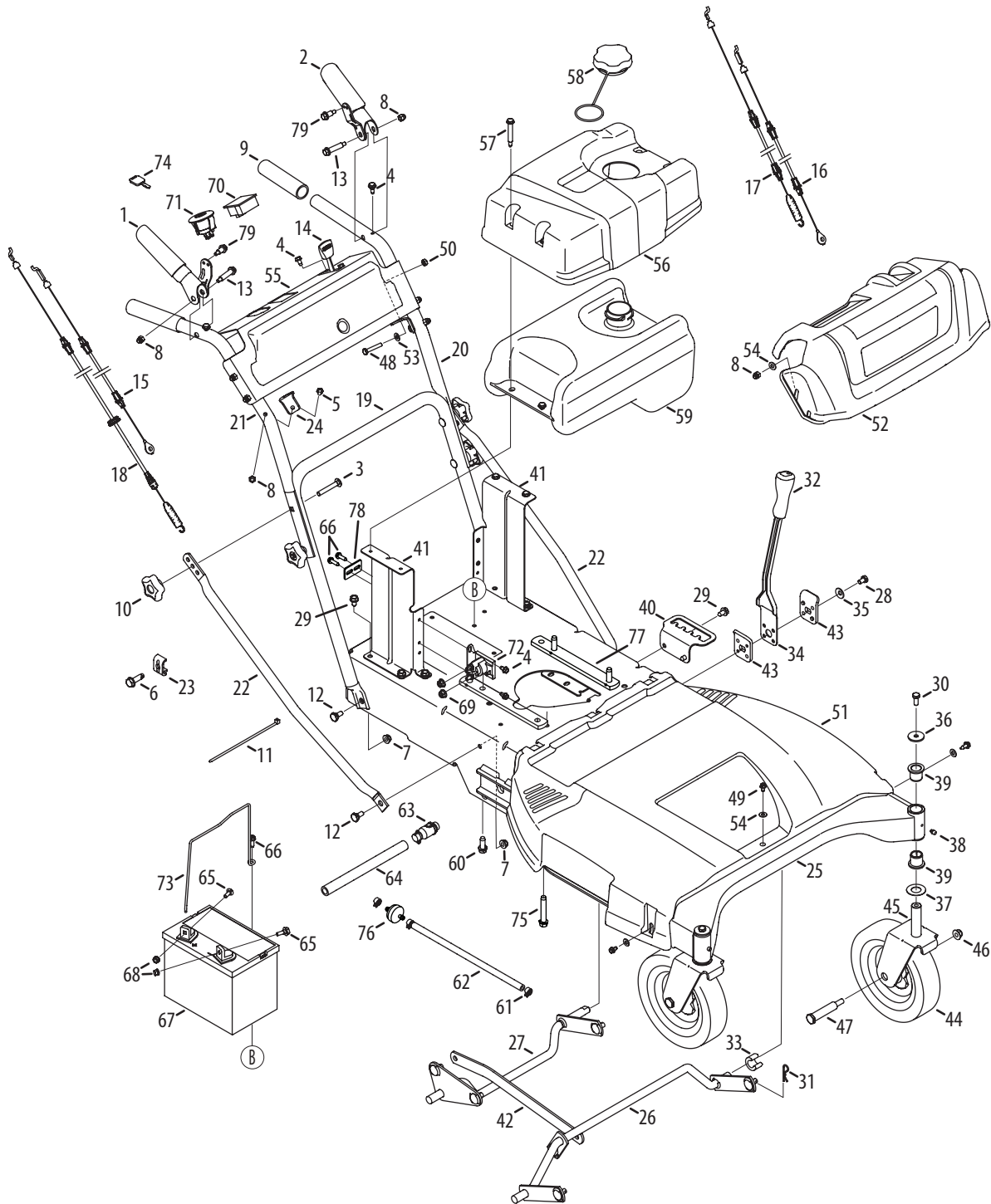


Drive and Deck

| Ref. | Part Number | Description |
|------|-------------|------------------------------------|
| 1 | 748-05029A | Shoulder Spacer |
| 2 | 918-04639 | 4 Speed Drive Assembly, Tecumseh |
| 3 | 710-0176 | Hex Head Cap Screw, 5/16-18 x 2.75 |
| 4 | 710-0347 | Hex Head Cap Screw, 3/8-16 x 1.75 |
| 5 | 710-0376 | Hex Head Cap Screw, 5/16-18 x 1.00 |
| 6 | 710-04669 | Screw, 10-16 x 0.625 |
| 7 | 710-04877 | HHCS, 7/16-20 x 3.00 |
| 8 | 710-0513A | Hex Head Cap Screw, 1/4-28 x .625 |
| 9 | 783-08389 | Pulley Cap |
| 10 | 710-3005 | Hex Head Cap Screw, 3/8-16 x 1.25 |
| 11 | 710-3015 | Hex Head Cap Screw, 1/4-20 x .75 |
| 12 | 911-1000 | Belt Keeper, .25 DIA X 3.0 |
| 13 | 712-04063 | Flangelock Nut, 5/16-18 |
| 14 | 712-04064 | Flangelock Nut, 1/4-20 |
| 15 | 712-04065 | Flangelock Nut, 3/8-16 |
| 16 | 712-0700 | Flange Nut, 9/16-18 |
| 17 | 914-0145 | Click Pin, .092 x 1.64 LG |
| 18 | 718-04407 | Spline Pulley Hub, 5/8 |
| 19 | 720-0142 | Grip, Black |
| 20 | 731-05766 | Trailshield, 8.35 x 19.17 |
| 21 | 732-04409 | Extension Spring, Wheel Drive |
| 22 | 732-04443A | Extension Spring, Brake |
| 23 | 736-0105 | Washer, Spring, .401 x .870 x .063 |
| 24 | 736-0270 | Washer, Bell, .265 x .75 x .062 |
| 25 | 736-0322 | Washer, Flat, .450 x 1.250 x .164 |
| 26 | 736-04256 | Washer, Flat, .39 x .87 x .06 |
| 27 | 918-04438C | Drive Spindle Assembly |
| 28 | 738-04166 | Spacer, Shoulder, .5000 x .1475 |
| 29 | 747-04635A | Belt Keeper Rod |
| 30 | 747-05571 | Coupling Link, 3/16 |
| 31 | 747-04678A | Brake Spring Mounting Rod |
| 32 | 954-04145A | V Belt, 4L 64.2 |
| 33 | 756-05042 | Idler Pulley, 4.25 DIA |
| 34 | 756-04258 | Flat Sheave, DIA 7.75 |
| 35 | 756-04260 | Engine Pulley, 3.20 x 4.35 DIA |
| 36 | 756-04280A | Idler Pulley, 3.50 DIA |
| 37 | 787-01469B | Lower Shaft Lever |

| Ref. | Part Number | Description |
|------|----------------|-----------------------------------|
| 38 | 787-01470A | Upper Shaft Lever |
| 39 | 787-01473A | Belt Keeper, .375 x 2.00 |
| 40 | 787-01523A | Wheel Drive Idler Bracket |
| 41 | 918-04439C | Spacer Spindle Assembly |
| 42 | 931-04244 | Chute Deflector Assembly |
| 43 | 631-04252 | Mulch Cover |
| 44 | 987-02420 | Idler Arm Assembly |
| 45 | 687-02476 | Deck Assembly |
| 46 | 710-1260A | Screw, 5/16-18 x .750 |
| 47 | 710-0451 | Bolt, Carriage, 5/16-18 x .750 |
| 48 | 710-0514 | Hex Head Cap Screw, 3/8-16 x 1.00 |
| 49 | 710-06234 | Screw, Carriage, 3/8-16 x 1.69 |
| 50 | 710-3184A | Hex Head Cap Screw, 3/8-16 x 2.00 |
| 51 | 712-0417A | Flange Nut, 5/8-18 |
| 52 | 912-3017 | Hex Nut, 3/8-16 |
| 53 | 732-04406 | Extension Spring, Timing Belt |
| 54 | 732-04452 | Extension Spring, Deck Brake |
| 55 | 938-0347 | Shoulder Spacer, .625 ID x .169 |
| 56 | 738-04162C | Shoulder Spacer, .8840 x .190 |
| 57 | 942-04154A | 2 in 1 Blade |
| 58 | 754-04136 | Timing Belt, .315 x .787 |
| 59 | 954-04139 | Aramid V Belt, 72.2 |
| 60 | 756-05042 | Idler Pulley, 4.25" DIA |
| 61 | 756-0616 | Idler Pulley, V-Type, 5.0 DIA |
| 62 | 787-01440 | Timing Idler Bracket |
| 63 | 711-04027 | Deflector Pin |
| 64 | 726-04009 | Push Cap |
| 65 | 732-04012 | Deflector Torsion Spring |
| 66 | 787-01017A | Deflector Hinge Bracket |
| 67 | 634-04349-0931 | Wheel, 16 x 4 x 8 |
| 68 | 710-05339 | Screw, 5/16-24 x .750 |
| 69 | 750-05516 | Spacer, 1.0 x 1.28 x .31 |
| 70 | 912-0641 | Nut, Hex, M16-1.5 |
| 71 | 921-04041 | Water Nozzle Adaptor |
| 72 | 736-0225 | Washer, Lock, 5/8 |
| 73 | 737-04003D | Deck Water Nozzle |
| — | 977S30145 | Danger Label (Not Shown) |

CC 760 ES Dash



CC 760 ES Dash

| Ref. | Part Number | Description |
|------|-------------|---|
| 1 | 687-02426A | RH Lever Assembly Bracket |
| 2 | 687-02427A | LH Lever Assembly Bracket |
| 3 | 710-0572 | Screw, Carriage, 5/16-18 x 2.25 |
| 4 | 710-0599 | Screw, 1/4-20 x 0.500 |
| 5 | 710-0606 | Hex Screw, 1/4-20 x 1.50 |
| 6 | 710-1237 | Screw, #10-32 x 0.625 |
| 7 | 712-04063 | Nut, Flangelock, 5/16-18 |
| 8 | 912-0442 | Lock Nut Cap, 1/4-20 |
| 9 | 720-0274 | Grip, 1.0 ID x 5.0 LG |
| 10 | 720-04072A | Star Knob, 5/16-18 |
| 11 | 725-0157 | Cable Tie, 3/16 x .05 x 7.4 |
| 12 | 938-0140 | Screw, Shoulder, .435 x .178-5/16 x .56 |
| 13 | 938-1226 | Screw, Shoulder, .375 x 1.355 x 1/4-20 |
| 14 | 946-04604 | Throttle/Choke Cable, 38.0 x 1.1 EXT |
| 15 | 946-05076 | RH Trans Brake Cable |
| 16 | 946-05077 | LH Trans Brake Cable |
| 17 | 946-05149 | Wheel Clutch Cable |
| 18 | 946-05073 | Deck Clutch Cable |
| 19 | 749-04330 | Lower Handle |
| 20 | 649-05013 | Upper LH Handle |
| 21 | 649-05014 | Upper RH Handle |
| 22 | 749-04333 | Adjustable Handle Brace |
| 23 | 751B221535 | Casing Clamp |
| 24 | 787-01490A | RH Cable Mount Bracket |
| — | 787-01491A | LH Cable Mount Bracket |
| 25 | 687-02591A | Frame Assembly |
| 26 | 687-02265 | Front Deck Lift Assembly |
| 27 | 687-02419 | Rear Deck Lift Assembly |
| 28 | 710-04312 | Hex Screw, 5/16-18 x .50 |
| 29 | 710-0604A | Screw, 5/16-18 x 0.625 |
| 30 | 710-0627 | Hex Screw, 5/16-24 x .750 |
| 31 | 914-0145 | Click Pin, .092 x 1.64 LG |
| 32 | 720-0311 | Grip Handle, 1/2 |
| 33 | 731-05791 | Plastic Spacer, .63 ID x .75 LG |
| 34 | 732-04418B | Deck Height Lever |
| 35 | 736-0242 | Washer, Bell, .340 x .872 x .060 |
| 36 | 736-0343 | Washer, Flat, .330 x 1.25 x .120 |
| 37 | 936-0351 | Washer, Flat, .760 ID x 1.50 OD |
| 38 | 937-3000 | Drive Lube Fitting, 3/16 |
| 39 | 741-0660A | Flange Bearing, .760 x .941 x 1.0 |
| 40 | 787-01496 | Height Adjustment Bracket |
| 41 | 787-01507B | Fuel Tank Mount Bracket |
| 42 | 787-01510 | Link Pivot Bracket |

| Ref. | Part Number | Description |
|------|--------------|---------------------------------------|
| 43 | 787-01521 | Lever Pivot Bracket |
| 44 | 734-04263 | Caster, Wheel, 8 x 1.75 |
| — | 941-0706 | Bearing, Flange w/ftg |
| 45 | 687-02263 | Wheel Caster Bracket |
| 46 | 712-04065 | Nut, Flangelock, 3/8-16 |
| 47 | 738-04216A | Bolt, Shoulder, .625 x 2.515 x 3/8-16 |
| 48 | 710-0136 | Hex Screw, 1/4-20 x 1.75 |
| 49 | 710-0896 | Screw, 1/4-14 x 0.625 |
| 50 | 712-3006 | Nut, Hex, 1/4-20 |
| 51 | 931-05684 | Belt Cover |
| 52 | 731-05937A | Handle Panel, Black |
| 53 | 736-0270 | Washer, Bell, .265 x .75 x .062 |
| 54 | 936-0463 | Washer, Flat, .25 x .630 x .0515 |
| 55 | 787-01548 | Hour Meter and Key Handle Panel |
| 56 | 731-05927A | Fuel Tank Cover |
| 57 | 738-04282 | Screw, Shoulder, 1/4-20 x .32 x 1.8 |
| 58 | 951-12182 | Fuel Cap |
| 59 | 951-04322 | Fuel Tank |
| 60 | 710-1007 | Screw, 3/8-16 x 1.250 |
| 61 | 726-0205 | Hose Clamp, .490 DIA. |
| 62 | 751-10349 | Fuel Hose, Low Permeation, 1/4 |
| 63 | 951-10517A | Oil Drain |
| 64 | 751-3141-14 | Extension Hose |
| 65 | 710-04666 | Hex Head Flange, 1/4-20 x .75 |
| 66 | 710-0642 | Screw, 1/4-20 x 0.750 |
| 67 | 925-1707D | Battery, 155 CCA WET |
| 68 | 712-0271 | Sems Nut, 1/4-20 |
| 69 | 712-04064 | Nut, Flangelock, 1/4-20 |
| 70 | 925-04022B | Hour Meter |
| 71 | 925-04228 | Key Switch |
| 72 | 725-04439A | Solenoid, 12V, 100 AMP |
| 73 | 747-04657 | Battery Hold Down Strap |
| 74 | 925-1745A | Key |
| 75 | 710-05283 | Screw, 3/8-16 x 2.25 |
| 76 | BS-298090S | Fuel Filter |
| 77 | 787-01932 | Engine Mounting Plate |
| 78 | 787-02009 | PLate, Shift |
| 79 | 738-04425 | Screw, Shoulder, 1/4-28 x .342 x .335 |
| — | 925-2054A | Key, Yellow |
| — | 925-05266 | Wiring Harness (Not Shown) |
| — | 725-04478 | Starter Wire (Not Shown) |
| — | 712-0266A | Nut, Jamlock, 3/8-16 (Not Shown) |
| — | 751-12089-28 | Vent Hose, 3/16 (not shown) |

Labels CC 760 ES

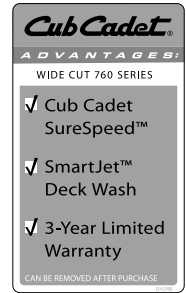
777D15781



777S30117



777D15785



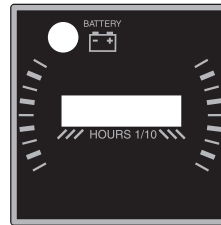
777S30145



777D15779



777I22808



777I22815



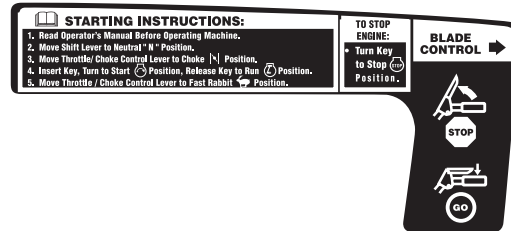
777I22793



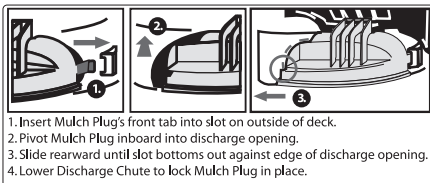
777D15782



777I22814



777I22809



777I22760



777D15402



777I22759



777X43688



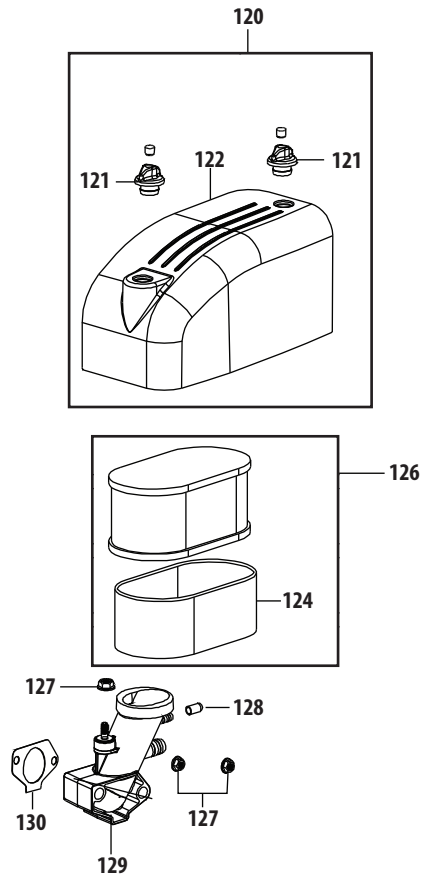
This page intentionally left blank.

Tecumseh Transmission

| Ref. No. | Part No. | Description |
|----------|------------|-------------------------------------|
| 1 | TC-772147 | Transaxle Cover |
| 2 | TC-780086A | Needle Bearing (1/2" long) |
| 3 | TC-770128A | Transaxle Case |
| 4 | TC-776395 | Countershaft |
| 5 | TC-776409 | Output Shaft |
| 6 | TC-778364 | Spur Gear (38T-PM/SER) |
| 6A | TC-778369 | Spur Gear (15T-PM/SER) |
| 7 | TC-778330 | Spur Gear (11T-PM/SER) |
| 8 | TC-792180A | Shift Key Set (Qty. 2) |
| 9 | TC-784352 | Shift Collar |
| 10 | TC-784378A | Shift Rod & Fork Assembly |
| 11 | TC-778334 | Bevel Gear (30T-PM) |
| 12 | TC-778309 | Input Bevel Pinion (13T-PM) |
| 13 | TC-778368 | Bevel Gear 13T (Incl. ref. 13 & 14) |
| 14 | TC-778368 | Bevel Gear 13T (Incl. ref. 13 & 14) |
| 15 | TC-778370 | Ring Gear (43T) |
| 17 | TC-786188 | Drive Pin |
| 18 | TC-786102 | Spacer (1.130" x .695") |
| 20 | TC-792077A | Ball (Stainless Steel 5/16" dia.) |
| 21 | TC-792211 | Screw, 3/8-16 x 3/8" |
| 22 | TC-792079 | Spring |
| 25 | TC-792073A | Screw, 1/4-20 x 1-1/4" |
| 25A | TC-792177 | Screw, 1/4-20 x 1-3/8" |
| 26 | TC-792125 | Retaining Ring-package of 2 |
| 27 | TC-792035 | Retaining Ring |
| 28 | TC-788040 | Retaining Ring |
| 29 | TC-780072 | Washer .627" ID .031" |
| 29A | TC-780160 | Thrust Washer (.563" ID x .031") |
| 29B | TC-780051 | Thrust Washer (.762" ID X .031") |
| 30 | TC-780108 | Shift Washer (Cupped) |
| 31 | TC-780001 | Washer .750" ID .56" |
| 31A | TC-780195 | Washer .750" ID .062 |
| 32 | TC-788083 | Oil Seal 5/8" |
| 32A | TC-792001 | O Ring (.823" OD) |
| 34 | TC-780194 | Bushing (.563") |
| 35 | TC-780193 | Flanged Bushing (.625" ID) |
| 35A | TC-780197 | Flanged Bushing (.751" ID) |

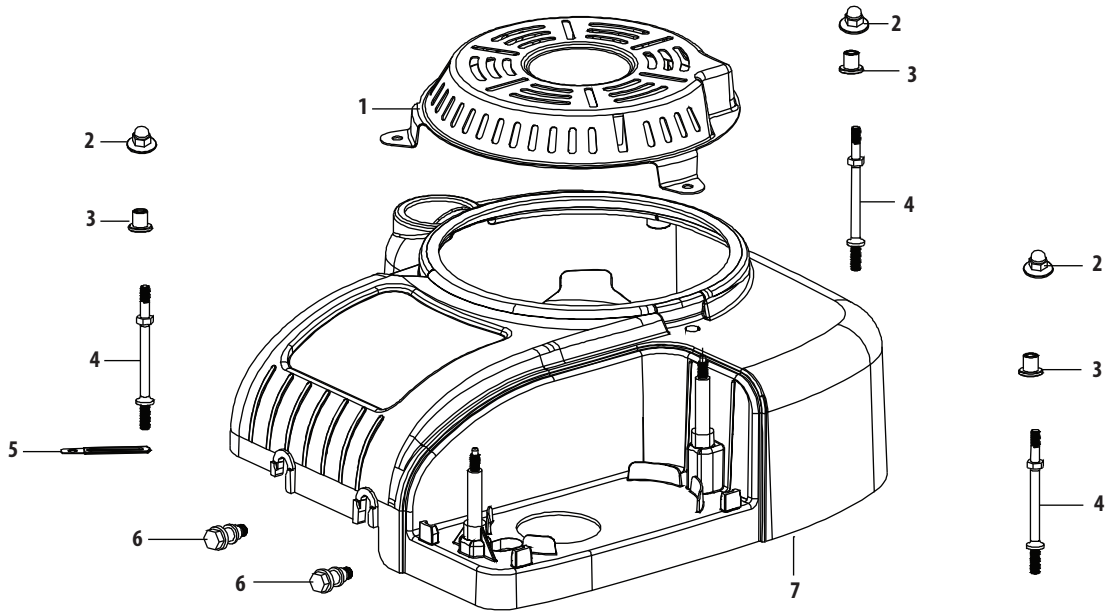
| Ref. No. | Part No. | Description |
|----------|------------|-----------------------------------|
| 36 | TC-790075 | Brake Disk |
| 37 | TC-790007 | Brake Pad Plate |
| 38 | TC-799021A | Brake Pad (pkg. of 2) |
| 39 | TC-786026 | Dowel Pin .3125" x .750" |
| 40 | 736-3078 | Washer .312" ID .059" |
| 41 | TC-790104 | Brake Lever |
| 42 | TC-792177 | Screw 1/4-20 x 1-3/8" |
| 43 | 912-0237 | Lock Nut 5/16-24 |
| 44 | TC-790025 | Brake Pad Holder |
| 46 | TC-786086 | Bracket |
| 47 | TC-775146 | Axle (10.719" long) (Incl. 26) |
| 48 | TC-775147 | Axle (15.312" long) (Incl. 26) |
| 49 | TC-778338 | Spur Gear (27T-PM/IC) |
| 50 | TC-778342 | Spur Gear (22T-PM/IC) |
| 51 | TC-778313 | Spur Gear (19T-PM/IC) |
| 52 | TC-778350 | Spur Gear (16T-PM/IC) |
| 56 | TC-778337 | Spur Gear (13T-PM/SER) |
| 57 | TC-778341 | Spur Gear (18T-PM/SER) |
| 58 | TC-778351 | Spur Gear (21T-PM/SER) |
| 59 | TC-778349 | Spur Gear (24T-PM/SER) |
| 63 | TC-786071 | Countershaft Spacer 1-1/8" x 3/8" |
| 64 | TC-786072 | Brake Shaft Spacer 1-3/8" x 3/8" |
| 65 | TC-780189 | Washer .563" ID .062 |
| 66 | TC-776472 | Input Shaft |
| 67 | TC-776396 | Brake Shaft |
| 69 | TC-792170 | Retaining Ring (.75" x .042") |
| 70 | TC-786187 | Spacer (.890") |
| 71B | TC-788092 | O-Ring |
| 76 | TC-780090 | Flat Washer (1.128" ID x .058") |
| 77 | TC-788078A | Retaining Ring (1.125" x .050") |
| 79 | TC-792144 | Spring |
| 82 | TC-778333 | Bevel (30T) & Spur Gear |
| 83 | TC-778338 | Spur Gear (27T-PM/IC) |
| 85 | TC-792154 | Oil Fill Plug |
| 87 | TC-788089A | Oil Seal 9/16" ID |
| 157 | TC-788088A | Oil Seal 3/4" ID |

Engine Model 4P90MUB Air Intake



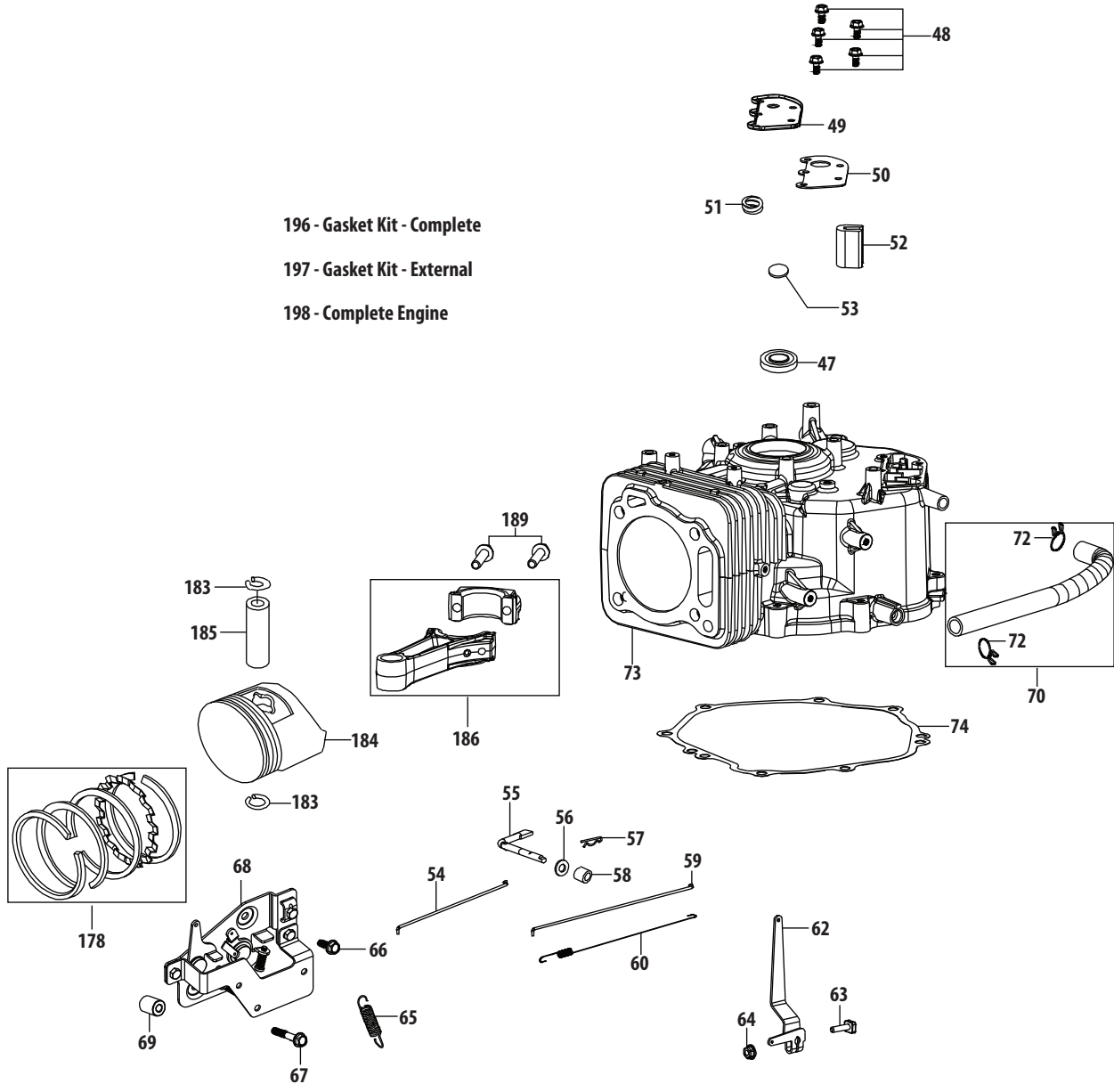
| Ref. | Part Number | Description |
|------|-------------|---------------------------|
| 120 | 951-14458 | Air Filter Cover Assembly |
| 121 | 951-14466 | Air Filter Lock Nut |
| 122 | 951-12255 | Air Filter Cover |
| 124 | 951-12256 | Sponge Filter |
| 126 | 951-12260 | Air Filter Assembly |
| 127 | 712-04212 | Nut M6 |
| 128 | 951-12328 | Rubber Cap |
| 129 | 951-12257 | Manifold |
| 130 | 951-12258 | Manifold Gasket |

4P90MUB Engine Shroud



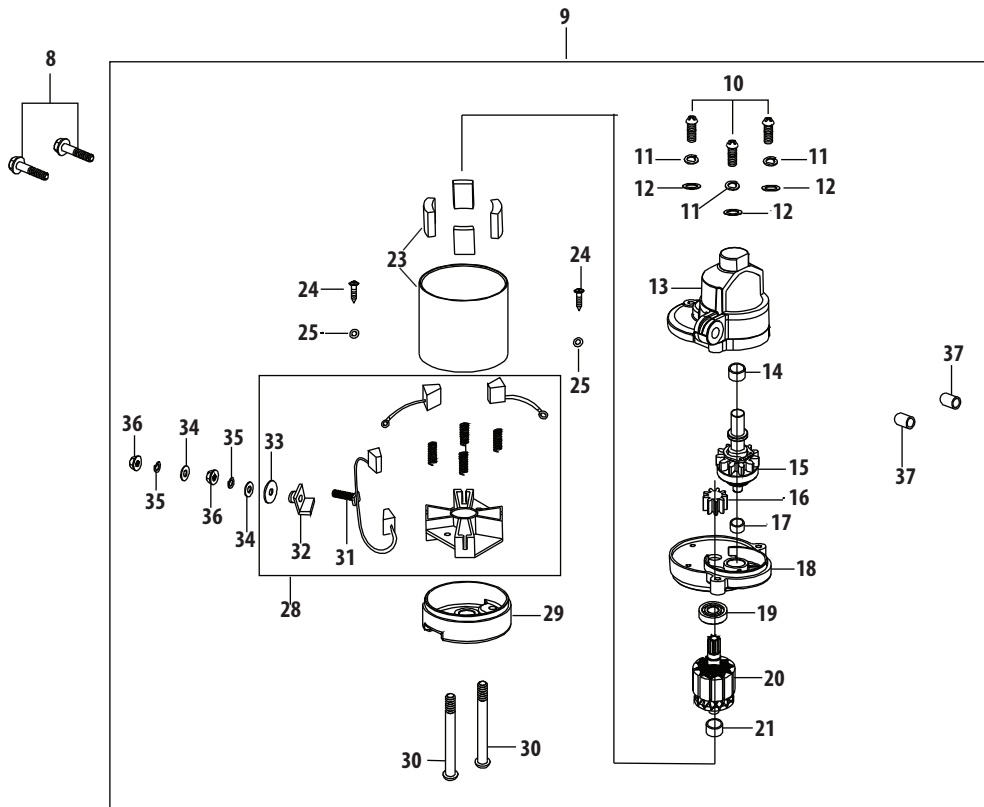
| Ref. | Part Number | Description |
|------|-------------|-----------------------------|
| 1 | 951-12311 | Cover |
| 2 | 712-04290 | Nut |
| 3 | 750-05320 | Engine Shroud Spacer |
| 4 | 951-14454 | Starter / Shroud Stud M6×99 |
| 5 | 951-11622 | Flexible Clamp |
| 6 | 710-05305 | Hook Bolt |
| 7 | 751-14455 | Air Shield |

4P90MUB Crankcase



| Ref. | Part Number | Description |
|------|-------------|---|
| 47 | 951-11499 | Upper Crankshaft Seal |
| 48 | 710-04916 | Bolt M6×14 |
| 49 | 951-14456 | Breather Cover Plate |
| 50 | 951-12226 | Breather Gasket |
| 51 | 951-12685 | Umbrella Valve |
| 52 | 951-12227 | Mesh Screen |
| 53 | 951-12686 | Umbrella Valve Seat |
| 54 | 951-12228 | Choke Linkage |
| 55 | 951-12229 | Governor Arm Shaft |
| 56 | 736-04558 | Governor Washer |
| 57 | 714-04074 | Governor Cotter Pin |
| 58 | 951-11574 | Governor Seal |
| 59 | 951-12230 | Throttle Linkage |
| 60 | 951-12231 | Throttle Linkage Spring |
| 62 | 951-12232 | Governor Arm |
| 63 | 710-04908 | Governor Arm Bolt |
| 64 | 712-04212 | Governor Arm Nut M6 |
| 65 | 951-12233 | Governor Spring |
| 66 | 710-04979 | Bolt M6×18 |
| 67 | 710-05310 | Bolt M6×38 |
| 68 | 951-14457 | Component Bracket/Separate |
| 69 | 750-05530 | Component Bracket Spacer |
| 70 | 951-12235 | Breather Hose Assembly |
| 72 | 951-12236 | Breather Hose Clamp |
| 73 | 951-14462 | Short Block Assembly (Incl.37,47-53,55-58,73-77,84,86-89, 91-93,98-104,112,113,115-119,137,138, 144,160,172,176,175-178,183-186) |
| 74 | 951-12237 | Crankcase Cover Gasket |
| 178 | 951-12275 | Piston Ring Set |
| 183 | 951-11953 | Piston Pin Snap Ring |
| 184 | 951-12276 | Piston |
| 185 | 951-11954 | Piston Pin |
| 186 | 951-12277 | Connecting Rod Assembly |
| 189 | 710-05319 | Connecting Rod Bolt |
| 196 | 951-12204 | Gasket Kit - Complete (Incl.47,50,58,74,113,118,130, 136-138,144,160,166) |
| 197 | 951-12201 | Gasket Kit - External (Incl.113,130,136-138,144,160) |
| 198 | 952Z4P90MUB | Complete Engine |

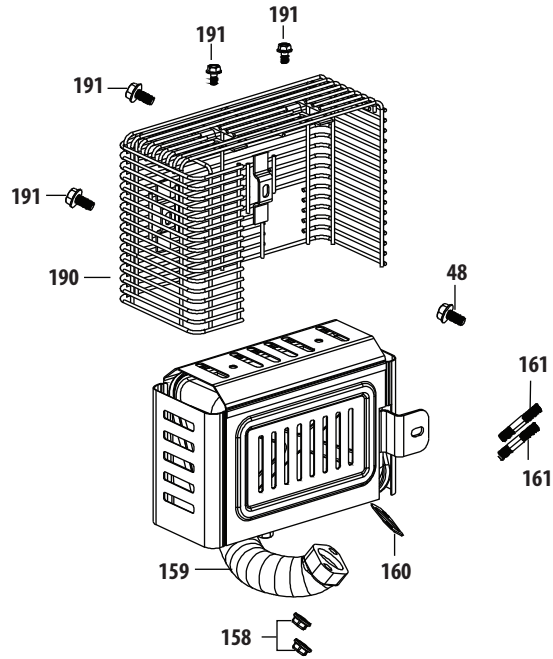
4P90MUB Starter Assembly



| Ref. | Part Number | Description |
|------|-------------|--------------------------------|
| 8 | 710-05306 | Bolt M8x40 |
| 9 | 951-12207 | Starter Assembly |
| 10 | 710-05307 | Screw M5x25 |
| 11 | 736-04554 | Lock Washer |
| 12 | 736-04556 | Plain Washer |
| 13 | 951-12208 | Electrical Starter Front Cover |
| 14 | 951-12211 | Bearing |
| 15 | 951-12210 | Pinion/Clutch Assembly |
| 16 | 951-12312 | Gear |
| 17 | 951-12209 | Bearing |
| 18 | 951-12212 | Pinion Cover |
| 19 | 951-12214 | Bearing 6001Zz |
| 20 | 951-12215 | Starter Armature |
| 21 | 951-12216 | Bearing |

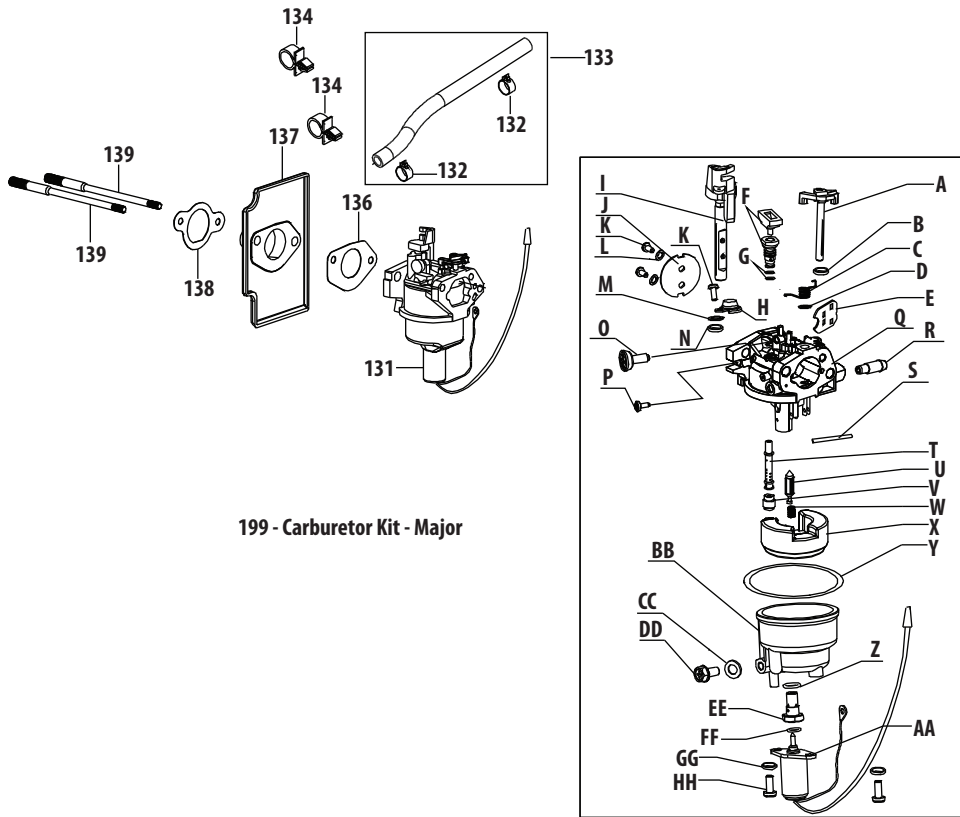
| Ref. | Part Number | Description |
|------|-------------|-------------------------------|
| 23 | 951-12528 | Starter Housing Assembly |
| 24 | 951-12217 | Screw |
| 25 | 736-04554 | Lock Washer |
| 28 | 951-12529 | Brush Assembly |
| 29 | 951-12219 | Electrical Starter Back Cover |
| 30 | 710-05308 | Bolt M6x100 |
| 31 | 710-05309 | Bolt M6x30 Assembly |
| 32 | 951-12324 | Waterproof Washer |
| 33 | 736-04555 | Insulation Washer |
| 34 | 736-04556 | Plain Washer |
| 35 | 736-04477 | Lock Washer |
| 36 | 712-04212 | Nut M6 |
| 37 | 715-04120 | Dowel Pin 10x14 |

4P90MUB Muffler Assembly



| Ref. | Part Number | Description |
|------|-------------|-----------------------|
| 48 | 710-04916 | Bolt M6×14 |
| 158 | 712-04219 | Nut M8 |
| 159 | 951-14468 | Muffler Assembly |
| 160 | 951-12271 | Exhaust Pipe Gasket |
| 161 | 951-12272 | Muff Stud M8×47 |
| 161 | 951-12196 | Muffler Stud Assembly |
| 190 | 951-12278 | Wire Mesh Shield |
| 191 | 710-05051 | Bolt M6×12 |

4P90MUB Carburetor Assembly

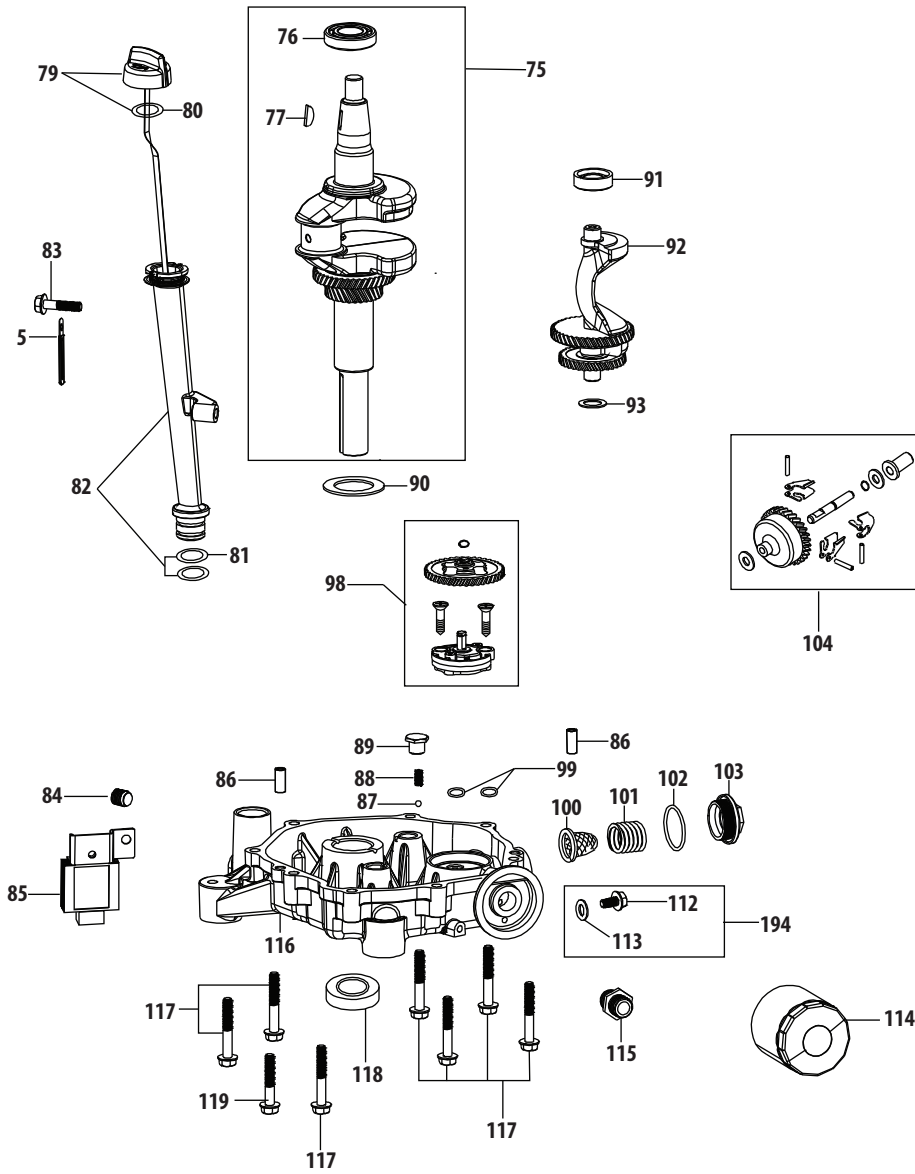


4P90MUB Carburetor Assembly

| Ref. | Part Number | Description |
|------|-------------|--|
| 131 | 951-12771A | Carburetor Assembly |
| 132 | 951-11731 | Fuel Hose Clamp |
| 133 | 951-11336 | Fuel Line Kit |
| 134 | 723-04071 | Plastic Support Clamp |
| 136 | 951-12261 | Carburetor Gasket |
| 137 | 951-12262 | Carburetor Insulator |
| 138 | 951-12263 | Carburetor Insulator Gasket |
| 139 | 951-12264 | Carb Stud |
| 199 | 951-14179 | Carburetor Kit - Major (Incl.130,136,138,f,g,s,t,u,v,w,x,y,z) |
| A | n/a | Choke Shaft |
| B | n/a | Fiber O-Ring |
| C | n/a | Choke Return Spring |
| D | n/a | Flat Steel Washer |
| E | n/a | Choke Plate |
| F | n/a | Idle Jet Assembly |
| G | n/a | Idle Jet O-Ring |
| H | n/a | Sheetmetal Housing |
| I | n/a | Throttle Shaft |
| J | n/a | Throttle Plate |
| K | n/a | Screw M3×5 |
| L | n/a | Lock Washer |

| Ref. | Part Number | Description |
|------|-------------|----------------------------------|
| M | n/a | Nylon/Plastic O-Ring |
| N | n/a | Fiber O-Ring |
| O | n/a | Idle Speed Adjusting Screw |
| P | n/a | Idle Mixture Screw |
| Q | n/a | Carburetor Body |
| R | n/a | Fuel Inlet |
| S | n/a | Float Pin |
| T | n/a | Emulsion Tube |
| U | n/a | Needle Valve |
| V | n/a | Main Jet |
| W | n/a | Needle Valve Spring |
| X | n/a | Float |
| Y | n/a | Fuel Bowl O-Ring |
| Z | n/a | O-Ring |
| AA | 951-14175 | Fuel Shut-Off Solenoid Valve Kit |
| BB | 951-14176 | Fuel Bowl Kit |
| CC | n/a | Fuel Drain Plug Gasket |
| DD | n/a | Fuel Drain Plug |
| EE | n/a | Seat/Fuel Bowl Bolt |
| GG | n/a | Washer |
| HH | n/a | Screw M5×12 |

4P90MUB Crankshaft & Crankcase Cover

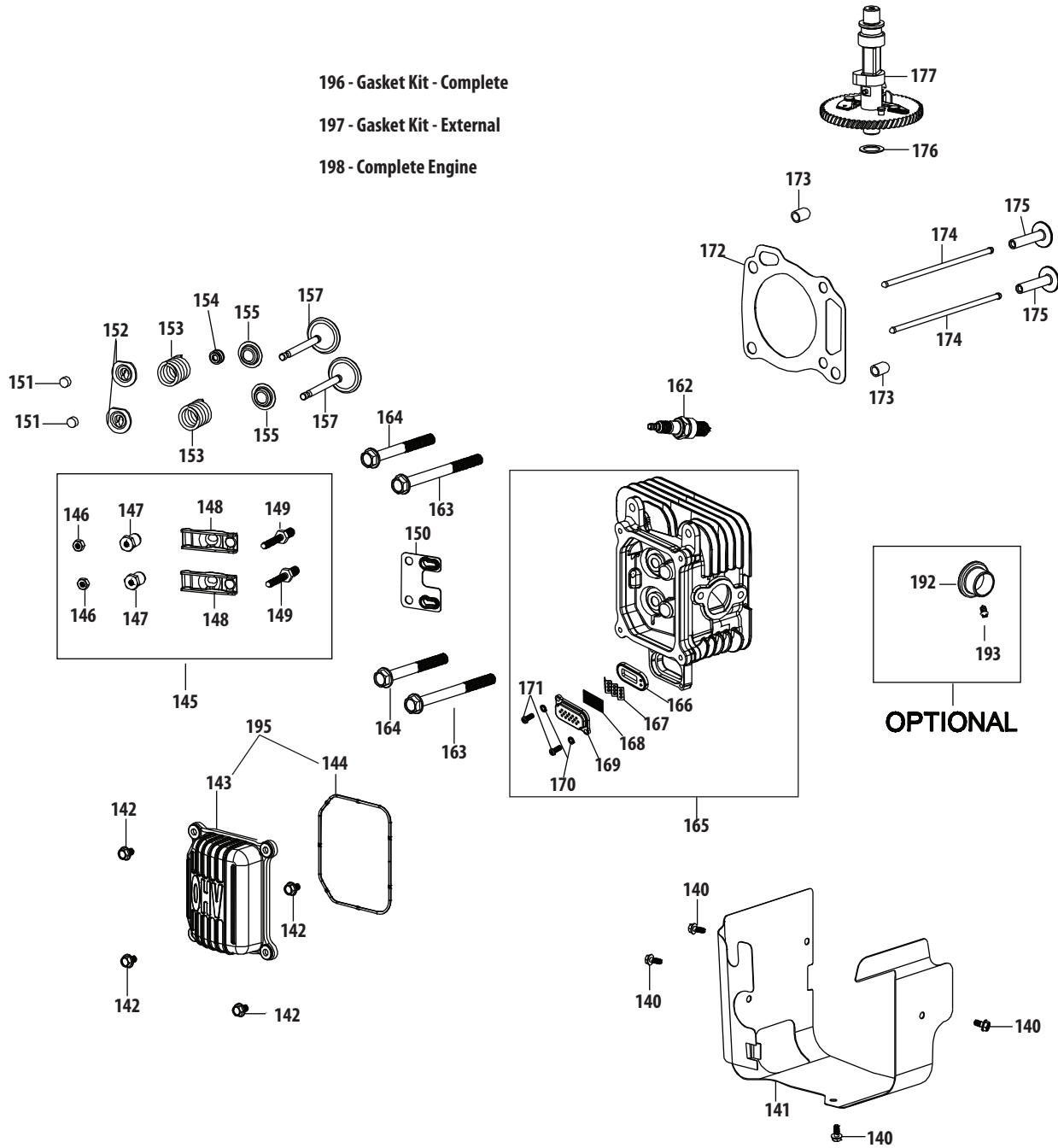


4P90MUB Crankshaft & Crankcase Cover

| Ref. | Part Number | Description |
|------|-------------|----------------------------|
| 5 | 951-11622 | Flexible Clamp |
| 75 | 951-12238 | Crankshaft Assembly |
| 76 | 951-11969 | Main Bearing |
| 77 | 951-10307 | Woodruff Key |
| 79 | 951-12239 | Dipstick Assembly |
| 80 | 951-12241 | Upper O-Ring |
| 81 | 951-12363 | Lower O-Ring |
| 82 | 951-12240 | Oil Fill Tube Assembly |
| 83 | 710-04980 | Bolt M6x35 |
| 84 | 710-05311 | Oil Drain Plug |
| 85 | 951-12242 | Regulator |
| 86 | 715-04121 | Dowel Pin 8x14 |
| 87 | 951-12243 | Ball 6.35 |
| 88 | 951-12244 | Spring |
| 89 | 710-05312 | Bolt |
| 90 | 736-04557 | Crankshaft Thrust Washer |
| 91 | 951-12245 | Balanceable Shaft Bearing |
| 92 | 751-12246 | Balanceable Shaft Assembly |
| 93 | 736-04559 | Balanceable Thrust Washer |

| Ref. | Part Number | Description |
|------|-------------|---|
| 98 | 951-12248 | Oil Pump Assembly |
| 99 | 951-12247 | O-Ring 10x2.65 |
| 100 | 951-12249 | Filter |
| 101 | 951-12250 | Filter Spring |
| 102 | 951-12251 | O-Ring 35.5x2.65 |
| 103 | 951-12252 | Filter Cover |
| 104 | 951-11956 | Governor Gear/Shaft Assembly |
| 112 | 710-05313 | Bolt M8x15 |
| 113 | 736-04560 | Oil Drain Plug Washer |
| 114 | 951-12690 | Oil Filter |
| 115 | 951-12253 | Screw Joint |
| 116 | 951-12254 | Crankcase Cover |
| | 951-12318 | Crankcase Cover Asm (Incl.87-89,100-104,112, 113,115,116) |
| 117 | 710-04982 | Bolt M8x54 |
| 118 | 951-11375 | Lower Crankshaft Seal |
| 119 | 710-05314 | Bolt M8x43 |
| 194 | 951-12194 | Oil Drain Plug Assembly |

4P90MUB Cylinder Head

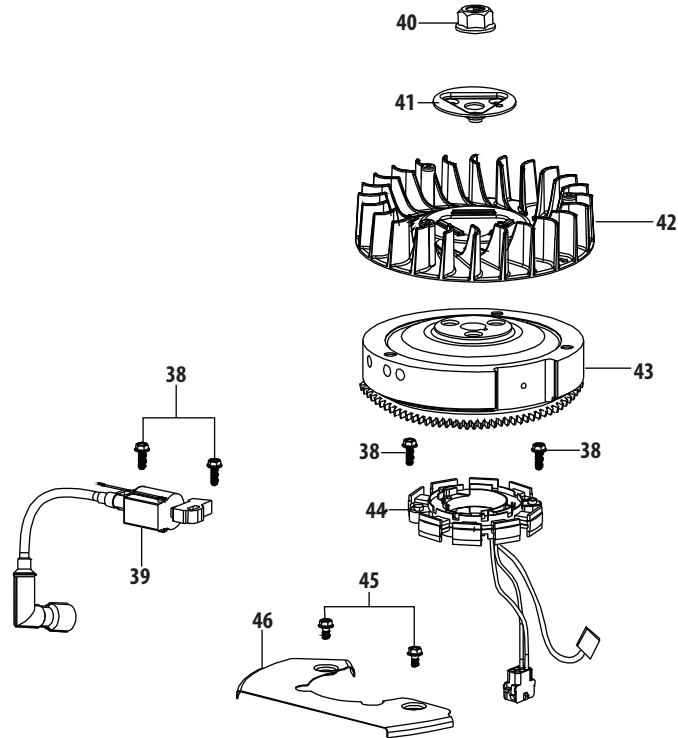


4P90MUB Cylinder Head

| Ref. | Part Number | Description |
|------|-------------|---|
| 140 | 710-05315 | Bolt M5×10 |
| 141 | 951-12265 | Cowl |
| 142 | 710-05316 | Valve Cover Bolt |
| 143 | 951-12266 | Valve Cover |
| 144 | 951-12267 | Valve Cover Ring |
| 145 | 951-11981 | Rocker Arm Assembly |
| 146 | 751-11124 | Jam Nut |
| 147 | 751-11123 | Fulcrum Nut |
| 148 | 951-11966 | Rocker Arm |
| 149 | 710-04962 | Rocker Arm Stud |
| 150 | 951-12268 | Push Rod Guide |
| 151 | 951-12269 | Exhaust Valve Adjuster |
| 152 | 951-12080 | Exhaust Valve Spring Retainer |
| 153 | 951-12078 | Valve Spring |
| 154 | 951-11964 | Intake Valve Seal |
| 155 | 951-12077 | Valve Spring Retainer |
| 157 | 951-11337 | Valve Kit |
| 162 | 951-10292 | Spark Plug/F6Rtc |
| 163 | 710-05317 | Bolt M10×1.25×85 |
| 164 | 710-05318 | Bolt /M10×1.25×65 |
| 165 | 951-14463 | Cylinder Head Asm (Incl.137-139,144,146-159, 161-163,165-170) |

| Ref. | Part Number | Description |
|------|-------------|---|
| | 951-12202 | Cylinder Head Kit (Incl.144,154,163,164,166) |
| 166 | 951-14460 | Air Valve Core |
| 167 | 751-12775 | Strainer Clip |
| 168 | 751-12776 | Strainer |
| 169 | 751-12777 | The Air Valve Bonnet |
| 170 | 736-04629 | Washer |
| 171 | 710-05337 | Screw M5×12 |
| 172 | 951-12273 | Cylinder Head Gasket |
| 173 | 715-04122 | Cylinder Head Dowel 12×16 |
| 174 | 951-11335 | Push Rod Kit |
| 175 | 951-11962 | Tappet |
| 176 | 736-04561 | Camshaft Thrust Washer |
| 177 | 951-12274 | Camshaft Assembly |
| 192 | 951-12329 | Spark Arrestor |
| 193 | 710-05344 | Spark Arrestor Screw |
| 195 | 951-12197 | Valve Cover Kit |
| 196 | 951-12204 | Gasket Kit - Complete (Incl.47,50,58,74,113,118,130, 136-138,144,160,166) |
| 197 | 951-12201 | Gasket Kit - External (Incl.113,130,136-138,144,160) |
| 198 | 952Z4P90MUB | Complete Engine |

4P90MUB Ignition & Electrical



| Ref. | Part Number | Description |
|------|-------------|------------------------|
| 38 | 710-04931 | Bolt M6×28 |
| 39 | 951-12220 | Ignition Coil Assembly |
| 40 | 712-04220 | Flywheel Nut M16×1.5 |
| 41 | 951-12221 | Plate |
| 42 | 751-12222A | Cooling Fan |
| 43 | 951-12223 | Flywheel |
| 44 | 951-12224 | Coil Assy.Charge |
| 45 | 710-04940 | Bolt M6×10 |
| 46 | 951-12279 | Cowl |



To order replacement parts, call a Customer Support Representative at (800) 965-4CUB.
Locate your nearest Cub Cadet dealer at (877) 282-8684
or visit www.cubcadet.com to find the nearest Cub Cadet dealer in your area.

CUB CADET LLC, P.O. BOX 361131 CLEVELAND, OHIO 44136-0019
