

Examine all packaging material for small parts that may have come loose during shipment. Periodic checks are recommended to insure that all components are in proper position, tight and free from damage. Keep this assembly instruction for future reference. Adult assembly is required. Customer Service Phone Number: 502-562-0000

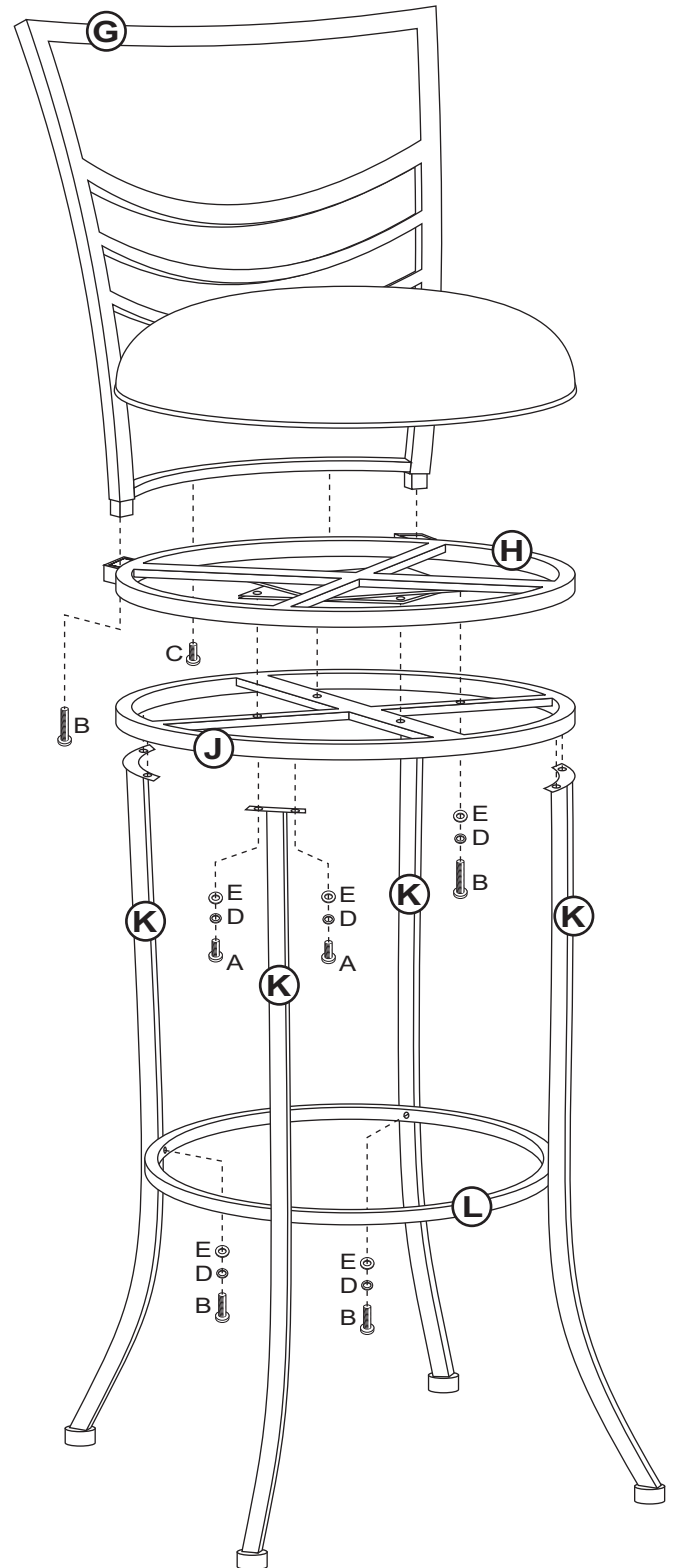
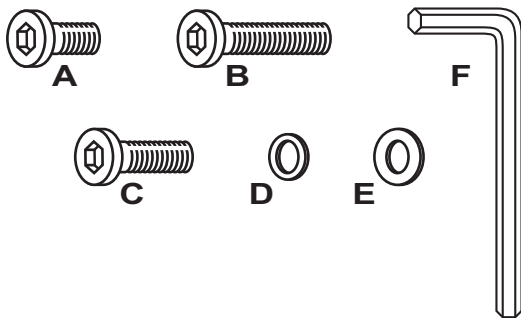
TOOLS NEEDED FOR ASSEMBLY
ALLEN WRENCH (SUPPLIED)

HARDWARE LIST

- A (8) Allen Bolts 1/4" x 1/2"
- B (10) Allen Bolts 1/4" x 1"
- C (2) Allen Bolts 1/4" x 5/8"
- D (16) Spring Washers 1/4"
- E (16) Flat Washers 1/4"
- F (1) Allen Wrench

PARTS LIST

- G (1) Stool Back
- H (1) Seat Base
- J (1) Stool Top
- K (4) Legs
- L (1) Support Ring



STEP 1

Begin assembly by attaching each Leg (K) to the bottom of the Stool Top (J) using 2 Allen Bolts (A), 2 Spring Washers (D) & 2 Flat Washers (E) per each leg. Do not fully tighten bolts.

STEP 2

Next attach the Support Ring (L) to each Leg Panel (K) from the inside and secure to each leg with 1 Allen Bolt (B), 1 Spring Washer (D) & 1 Flat Washer (E). Tighten bolts using the Allen Wrench (F) that has been provided.

STEP 3

Next attach the Stool Back (G) to the Seat Base (H) by inserting posts in place and securing each post with 1 Allen Bolt (B). Also secure from each rear center metal tab with 1 Allen Bolt (C). Tighten all bolts.

STEP 4

Finally attach the Seat Base (H) to the Stool Top (J) by aligning holes with the swivel metal plate and secure with 4 Allen Bolts (B), 4 Spring Washers (D) & 4 Flat Washers (E). The assembly is now complete.