

Haier

Refrigerator / Freezer

Réfrigérateur / Congélateur

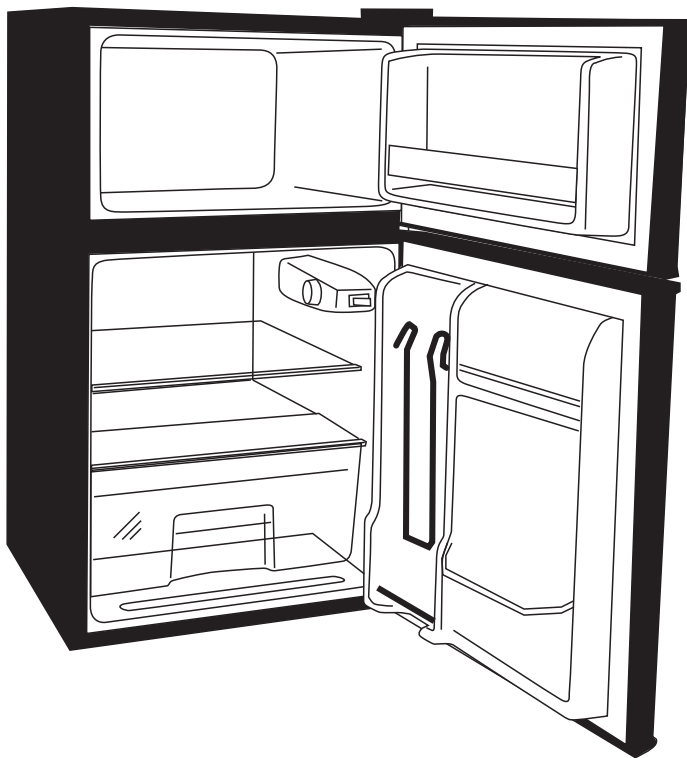
Refrigerador / Congelador

User Manual

Guide de l'Utilisateur

Manual del Usuario

HC32TW10SB



SAFETY PRECAUTIONS

WARNING: Read all of the instructions before using this appliance.



When using this appliance, always exercise basic safety precautions, including the following:

NOTE: If the refrigerator/freezer has been placed in a horizontal or tilted position for any period of time wait 24 hours before plugging the unit in.

- 1) Use this appliance only for its intended purpose as described in this use and care guide.
- 2) This refrigerator/freezer must be properly installed in accordance with the installation instructions before it is used. See grounding instructions in the installation section.
- 3) This refrigerator/freezer should not be recessed or built-in an enclosed cabinet. It is designed for freestanding installation only.
- 4) Never unplug your refrigerator/freezer by pulling on the power cord. Always grasp the plug firmly and pull straight out from the outlet.
- 5) **DANGER** - Risk of Fire or Explosion. Flammable refrigerant used. Do not use Mechanical devices to defrost refrigerator. Do not puncture refrigerant tubing.
- 6) If your old refrigerator/freezer is not being used, we recommend that you remove the doors. This will reduce the possibility of danger to children.

- 7) **WARNING:** After your refrigerator/freezer is in operation, do not touch the cold surfaces in the freezer compartment, particularly when hands are damp or wet. Skin may adhere to these extremely cold surfaces.



- 8) Do not refreeze foods, which have been thawed completely. The United States Department of Agriculture in Home and Garden Bulletin No. 69 reads: "...You may safely refreeze frozen foods that have thawed if they still contain ice crystals or if they are still cold-below 40°F".

"...Thawed ground meats, poultry, or fish that have any off-odor or offcolor should not be refrozen and should not be eaten. Thawed ice cream should be discarded. If the odor or color of any food is poor or questionable, discard it. The food may be dangerous to eat."

"...Even partial thawing and re-freezing reduce the eating quality of foods, particularly fruits, vegetables, and prepared foods. The eating quality of red meats is affected less than that of many other foods. Use refrozen foods as soon as possible, to save as much of their eating quality as you can."

- 9) Do not use any electrical device or any sharp instrument in defrosting your refrigerator.
- 10) Unplug your refrigerator/freezer before cleaning or before making any repairs.
Note: If for any reason this product requires service, we strongly recommend that a certified technician perform service.
- 11) Do not operate your refrigerator in the presence of explosive fumes.

SAVE THESE INSTRUCTIONS

CAUTION - Risk of Fire or Explosion

Dispose of property in accordance with Federal or Local Regulations. Flammable refrigerant used.



DANGER

Risk of child entrapment. Before you throw away your old refrigerator or freezer, take off the doors. Leave the shelves in place so that children may not easily climb inside.

Thank you for purchasing our Haier product. This easy-to-use manual will guide you in getting the best use of your appliance.

Remember to record the model and serial number. They are on a label in back of the appliances.

Model number

Serial number

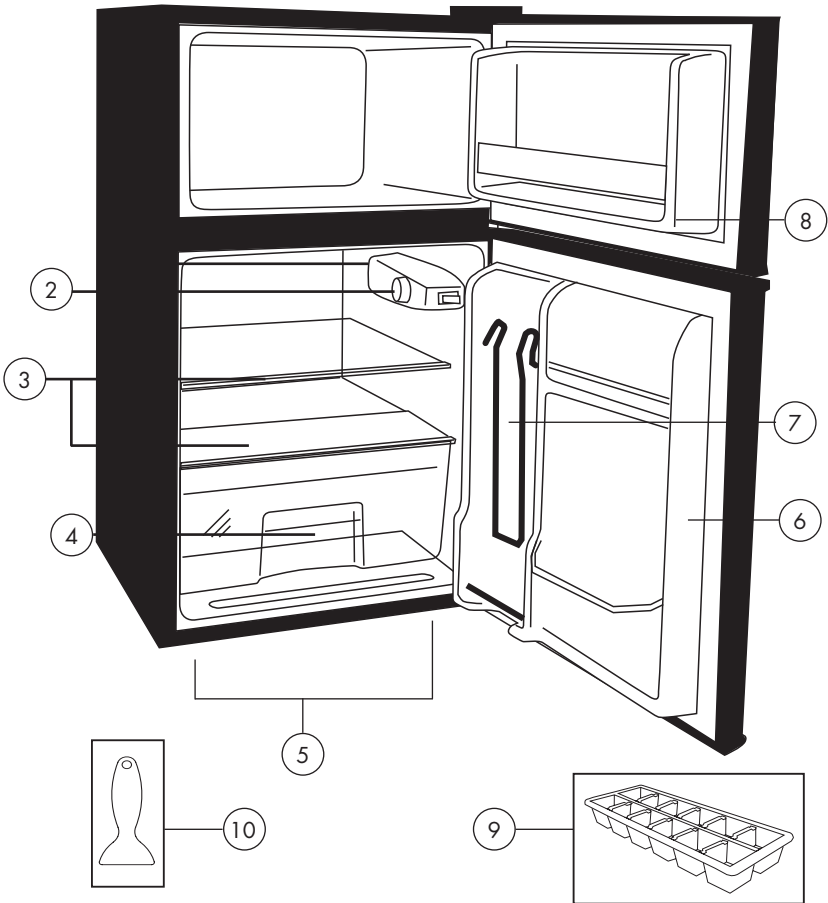
Date of purchase

**Staple your receipt to your manual.
You will need it to obtain warranty service.**

TABLE OF CONTENTS

Safety Precautions	1
Parts And Features	3
Installation Instructions	4
Unpacking Your Refrigerator	4
Leveling Your Refrigerator	4
Proper Air Circulation.....	4
Electrical Requirements	4
Door Alignment	5
Refrigerator Features and Use	6
General Features	6
Refrigerator Interior Shelves.....	6
Using Dispense-A-Can [™]	6
Crisper	6
Defrosting Your Refrigerator	7
Food Storage Information	8
Normal Operating Sounds.....	9
Proper Refrigerator Care and Cleaning	9
Cleaning and Maintenance.....	9
Light Bulb Replacement.....	10
Power Interruptions.....	10
Vacations and Moving Care.....	10
Troubleshooting	11
Warranty	13

Parts And Features



1. Interior Light
2. Temperature Control
3. Refrigerator Shelves
4. Crisper
5. Front Leveling Legs

6. Refrigerator Door Shelves
7. "Dispense-A-Can" Storage
8. Freezer Door Shelf
9. Ice Cube Tray
10. Ice Scraper

Installing Your Refrigerator

Unpacking Your Refrigerator

1. Remove all packaging material. This includes the foam base and all adhesive tape holding the refrigerator accessories inside and outside.
2. Inspect and remove any remains of packing, tape or printed materials before powering on the refrigerator.



CAUTION

Risk of Fire or Explosion due to puncture of refrigerant tubing. Flammable refrigerant used. Handle with care when moving refrigerator to avoid either damaging the refrigerant tubing or increasing the risk of a leak.

Leveling Your Refrigerator

- Your refrigerator has two leveling legs which are located in the front bottom corners of your refrigerator. After properly placing your refrigerator in its final position, you can level your refrigerator.
- Leveling legs can be adjusted by turning them counterclockwise to raise your refrigerator or by turning them clockwise to lower your refrigerator. The refrigerator door will close easier when the leveling legs are extended.

Proper Air Circulation

- To ensure your refrigerator works at the maximum efficiency it was designed for, you should install it in a location where there is proper air circulation, plumbing and electrical connections.
- The following are recommended clearances around the refrigerator:

Sides.....	3/4" (19mm)
Top.....	2" (50mm)
Back.....	2" (50mm)



WARNING: ELECTRICAL REQUIREMENT - SHOCK HAZARD

Electrical Requirement

- Make sure there is a suitable power outlet (120 volts, 15 amps outlet) with proper grounding to power the refrigerator.
- Avoid the use of three prong adapters or cutting off the third grounding prong in order to accommodate a two prong outlet. This is a dangerous practice since it provides no effective grounding for the refrigerator and may result in shock hazard.



WARNING: USE OF EXTENSION CORDS- POTENTIAL SAFETY HAZARD



WARNING: USE OF EXTENSION CORDS- POTENTIAL SAFETY HAZARD

Use of Extension Cords

- Avoid the use of an extension cord because of potential safety hazards under certain conditions. If it is necessary to use an extension cord, use only a 3-wire extension cord that has a 3-blade grounding plug and a 3-slot outlet that will accept the plug. The marked rating of the extension cord must be equal to or greater than the electrical rating of the appliance. **DO NOT USE EXTENSION CORD LONGER THAN 12 FT.**

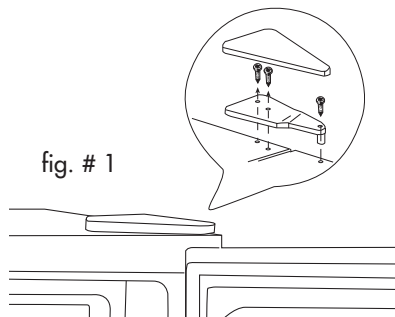
Installation Limitations

- Do not install your refrigerator in any location not properly insulated or heated, e.g. garage, etc. Your refrigerator was not designed to operate in temperature settings below 55° Fahrenheit.
- Select a suitable location for the refrigerator on a hard even surface away from direct sunlight or heat source, e.g. radiators, baseboard heaters, cooking appliances, etc. Any floor unevenness should be corrected with the leveling legs located on the front bottom corners of the refrigerator.

Door Alignment

Freezer Door: (see fig. #1)

1. Remove the top hinge cover.
2. Loosen the top hinge screws using a phillips head screwdriver.
3. Adjust the door or put a spacer in between and then tighten the screws.
4. Replace the top hinge cover.



Refrigerator Features And Use General Features

Adjustable temperature dial:

Your refrigerator will automatically maintain the temperature level you select. The temperature control dial has 7 settings plus 0. 1 is the warmest. 7 is the coldest. Turning the dial to 0 Stops cooling in both the refrigeration and freezer sections. At first, set the dial to 4 and allow 24 hours to pass before adjusting the temperature to your needs.

(Note: If the refrigerator has been placed in a horizontal or tilted position for any period of time wait 24 hours before plugging the unit in.)

Refrigerator Interior Shelves

To remove or replace a full-width slide-out shelf:

(see fig. # 2)

1. Gently tilt the shelf up and slide forward until the shelf has been completely removed.
2. To replace the shelf, gently slide the shelf back.

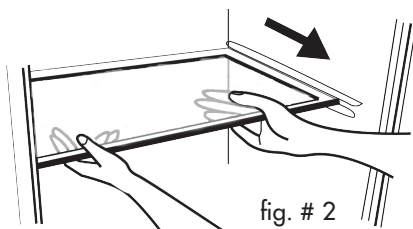


fig. # 2

Using the Dispense-A-Can™

- Your refrigerator is equipped with the convenient "Dispense-A-Can™" compartment. Each compartment will hold up to six cans. Simply load the cans from the top. To dispense a can, simply draw one out from the bottom. It is that easy.

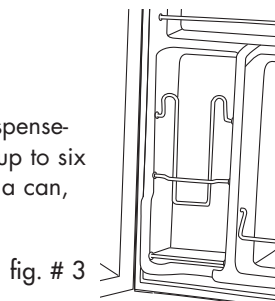


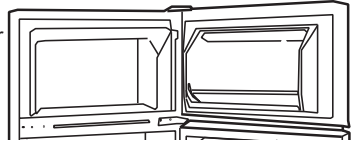
fig. # 3

Crisper

- Your refrigerator has a clear crisper. Grasp the top of the crisper and gently slide out. Push back to replace.

Defrosting Your Refrigerator

- For maximum energy efficiency, defrost freezer section whenever frost accumulates to a thickness of 1/4" or more on freezer walls. Note that frost tends to accumulate more during the summer months.



DANGER - Risk of Fire or Explosion due to puncture refrigerant tubing. Flammable refrigerant used. Do not use metal instruments to defrost refrigerator. Do not puncture refrigerant tubing.

- To defrost freezer, remove food and ice cube tray from the freezer section. Turn temperature control dial to "0" position. Defrosting may take a few hours. To speed up defrost time, keep the door open and place a bowl of warm water in the freezer.
- During the defrost, water will accumulate. Use a towel to wipe off excess dripping water. Do not leave unattended.
- After defrosting, empty and wipe down the interior of the freezer. You may now reset your refrigerator to the desired temperature and return food.
- Your freezer has been equipped with an ice scraper for your convenience.

Maintenance

Risk of Fire or Explosion. Flammable refrigerant used. Do not puncture of refrigerant tubing. To be repaired only by trained authorized service personnel. Consult Repair Manual before attempting to service this product. All Safety Precautions Must be followed. Component parts shall be replaced with like components to minimize the risk of possible ignition due to incorrect parts or improper service.

Food Storage Information

Fresh Food:

- When storing fresh food that is not prepackaged, be sure to wrap or store food in airtight and moisture proof material unless otherwise noted. This will ensure proper shelf life and prevent the transfer of odors and tastes.
- Wipe containers before storing to avoid needless spills.
- Eggs should be stored in an upright position in their original carton to maximize shelf life.
- Fruit should be washed and dried, then stored in sealed plastic bags before storing in the refrigerator.
- Vegetables with skins should be stored in plastic bags or containers.
- Leafy vegetables should be washed and drained and then stored in plastic bags or containers.
- Hot food should be allowed to cool before storing in the refrigerator. This will prevent unnecessary energy use.
- Fresh seafood should be used the same day as purchased.
- When storing meats in the fresh food section, keep in the original packaging or rewrap as necessary. Follow the suggestions below for safe storage:

• Chicken	1-2 Days
• Ground Beef	1-2 Days
• Cold Cuts	3-5 Days
• Steaks/Roasts	3-5 Days
• Smoked/Cured Meats	7-10 Days

For detailed storage chart visit FDA website:
www.cfsan.fda.gov/~dms/fttstore.html

Frozen Food:

- **Wipe containers before storing to avoid needless spills.**
- Hot food should be allowed to cool before storing in the freezer. This will prevent unnecessary energy use.
- When storing meats, keep in the original packaging or rewrap as necessary.
- Proper freezer storage requires correct packaging. All foods must be in packages, which do not allow the flow of air or moisture in, or out. Improper storage will result in odor and taste transfer and will result in the drying out of the improperly packaged food.
- Follow package or container instructions for proper storage.
- Packaging Recommendations:
 - Plastic containers with air tight lids
 - Heavy duty aluminum foil
 - Plastic wrap made from saran film
 - Self-sealing plastic bags
- Do not refreeze defrosted/thawed foods.
- It is recommended that the freezing date be marked on the packaging.

These are some suggestions for safe storage:

- | | |
|------------------------------------|---------------|
| • TV Dinners | 3 - 4 Months |
| • Fresh Shrimp, scallops, crawfish | 3 - 6 Months |
| • Hamburger & stew meats | 3 - 4 Months |
| • Ground Turkey, veal, pork | 3 - 4 Months |
| • Chops | 4 - 6 Months |
| • Steaks | 6 - 12 Months |
| • Chicken or turkey, whole | 1 year |

For detailed storage chart visit FDA website:
www.fda.gov

Normal Operating Sounds You May Hear

- Boiling water, gurgling sounds or slight vibrations that are the result of the refrigerant circulating through the cooling coils.
- The thermostat control will click when it cycles on and off.

Proper Refrigerator Care and Cleaning

Cleaning and Maintenance

WARNING:



To avoid electric shock, always unplug your refrigerator before cleaning. Ignoring this warning may result in death or injury.

CAUTION:



Before using cleaning products, always read and follow manufacturer's instructions and warnings to avoid personal injury or product damage.

General:

Prepare a cleaning solution of 3-4 tablespoons of baking soda mixed with warm water. Use sponge or soft cloth, dampened with the cleaning solution, to wipe down your refrigerator.

- Rinse with clean warm water and dry with a soft cloth.
- Do not use harsh chemicals, abrasives, ammonia, chlorine bleach, concentrated detergents, solvents or metal scouring pads. Some of these chemicals may dissolve, damage and/or discolor your refrigerator.

Door Gaskets:

Clean door gaskets every three months according to general instructions. Gaskets must be kept clean and pliable to assure a proper seal

- Petroleum jelly applied lightly on the hinge side of gaskets will keep the gasket pliable and ensure a good seal.

Light Bulb Replacement

1. Switch off power to refrigerator.
2. Gently pull out the clear cover
3. Replace with same type light bulb rated at 10 watts.
- 4 . Push the clear cover back into place.

Power Interruptions

- Occasionally there may be power interruptions due to thunderstorms or other causes. Remove the power cord from AC outlet when a power outage occurs. When power has been restored, replug power cord to AC outlet. If outage is for a prolonged period, inspect and discard spoiled or thawed food in freezer and refrigerator. Clean refrigerator before reusing.

WARNING: IF OUTAGE IS FOR A PROLONGED PERIOD, INSPECT AND DISCARD SPOILED OR THAWED FOOD IN FREEZER AND REFRIGERATOR. CLEAN REFRIGERATOR BEFORE REUSING.



Vacation and Moving Care

- For long vacations or absences, empty food from refrigerator and freezer, move the temperature DIAL to the OFF position and clean the refrigerator and door gaskets according to "General cleaning" section. Prop doors open, so air can circulate inside. When moving always move the refrigerator vertically. Do not move with the unit lying down. Possible damage to the sealed system could occur.

Troubleshooting

Refrigerator does not operate:

- Check if thermostat control is not in the "0" position.
- Check if refrigerator is plugged in.
- Check if there is power at the AC outlet, by checking the circuit breaker.

Food temperature appears too warm:

- Frequent door openings.
- Allow time for recently added warm food to reach fresh food temperature.
- Check gaskets for proper seal.
- Adjust temperature control to colder setting.

Food temperature is too cold:

- If temperature control setting is too cold, adjust to a warmer setting and allow several hours for temperature to adjust.

Refrigerator runs too frequently:

- This may be normal to maintain constant temperature during high temperature and humid days.
- Doors may have been opened frequently or for an extended period of time.
- Check gasket for proper seal.
- Check to see if doors are completely closed.

Moisture build up on interior or exterior of the refrigerator:

- This is normal during high humidity periods.
- Prolonged or frequent door openings.
- Check door gaskets for proper seal.

Refrigerator has an odor:

- Interior needs cleaning.
- Foods improperly wrapped or sealed are giving off odors.

Refrigerator door does not shut properly:

- Level the refrigerator.
- Re-align refrigerator door.
- Check for blockages, e.g. food containers, crisper cover,shelves, bins, etc.

Popping or cracking sound when the compressor comes on:

- Check to ensure the refrigerator is level.
- The floor may be uneven or weak. The refrigerator rocks on the floor when it is moved slightly. Be sure the floor can adequately support the refrigerator. Level the refrigerator by putting wood or metal shims under part of the refrigerator.
- The refrigerator is touching the wall. re-level the refrigerator and move it from the wall. See the “Installing Your Refrigerator” section.

Refrigerator light does not work

- Check power supply.
- Tighten bulb in socket.
- Replace burned out bulb.

Limited Warranty

What is covered and for how long?

This warranty covers all defects in workmanship or materials for a period of:

12 months for labor (Carry-in Only)

12 months for parts (functional parts only)

5 years for sealed system

The warranty commences on the date of item purchase. Customer shall provide Haier with proof of the date of purchase, brand, model and serial number for verification prior to any warranty service being provided.

EXCEPTIONS:

Commercial or Rental Use warranty

90 days for labor

90 days for parts

No other warranty applies

What is covered/Not covered?

1. The mechanical and electrical parts of the appliance which serve the functional purpose of this appliance are covered for a period of 12 months. This includes all parts except finish and trim.
2. Manufacturing defects to the components of the sealed system (e.g. hermetic compressor, condenser and evaporator) are covered for a period of 5 years from the date of purchase. Any damages to such components caused by mechanical abuse, improper handling or shipping will not be covered.
3. The limited warranty does not cover any credit or refund for any loss or injury caused by the product or defects to the product including but not limited to incidental or consequential damages.

What will be done?

1. Any mechanical or electrical part that proves to be defective in normal usage during the specified warranty period will be repaired or replaced at Haier's discretion. If it is determined that repair is not appropriate or replacement part is unavailable for repair, Haier will exchange the product with a refurbished or new product the same or similar to the original at its discretion.
2. There will be no charge to the purchaser for functional replacement parts and labor on any covered items during the initial 12-month period. Beyond this period, only components

of the sealed system are covered, labor is not provided and must be paid for by the customer.

3. To have your product serviced, please contact Haier customer service 1-877-337-3639.

THIS WARRANTY COVERS APPLIANCES WITHIN THE CONTINENTAL UNITED STATES, PUERTO RICO AND CANADA. IT DOES NOT COVER THE FOLLOWING:

Damages from improper installation.

Damages incurred during shipping.

Defects other than manufacturing.

Damage from misuse, abuse, accident, alteration, lack of proper care and maintenance or incorrect current or voltage.

Damage from other than household use.

Damage from service by other than an authorized dealer or service center.

Decorative trims or replaceable light bulbs.

Transportation and shipping.

Labor (after the initial 12 months).

Credit or Refund for products over 30 days past date of purchase

Food loss for food spoiled as a direct result of mechanical failure of the product or of any delay in providing service, repair, replacement.

This limited warranty doesn't apply to refurbished product or unit purchased as/like new or second-hand.

THIS LIMITED WARRANTY IS GIVEN IN LIEU OF ALL OTHER WARRANTIES, EXPRESSED OR INCLUDING THE WARRANTIES OF MERCHANTABILITY AND FITNESS FOR A PARTICULAR PURPOSE

The remedy provided in this warranty is exclusive and is granted in lieu of all other remedies.

This warranty does not cover incidental or consequential damages, so the above limitations may not apply to you. Some states do not allow limitations on how long an implied warranty lasts, so the above limitations may not apply to you.

This warranty gives you specific legal rights, and you may have other rights, which vary from state to state.

Haier America
Wayne, NJ 07470

CONSIGNES GÉNÉRALES DE SÉCURITÉ



ATTENTION: Lire l'ensemble des instructions avant d'utiliser l'appareil. Lors de l'utilisation de cet appareil, prendre toutes les mesures de sécurité de base, y compris les suivantes:

REMARQUE: Si le réfrigérateur a été placé en position horizontale ou en position inclinée, que ce soit pour longtemps ou non, attendez 24 heures avant de brancher l'appareil.

- 1) N'utiliser cet appareil que pour l'usage prévu, tel que décrit dans ce guide d'utilisation et d'entretien.
- 2) Ce réfrigérateur doit être correctement installé, conformément aux instructions d'installation avant d'être utilisé. Voir les instructions de mise à la terre dans la section Installation.
- 3) Ce réfrigérateur ne doit être ni encastré, ni enclos dans un placard. Il est uniquement conçu pour être installé tel qu'il se présente.
- 4) Ne jamais tirer sur le cordon d'alimentation pour débrancher le réfrigérateur. Toujours saisir fermement la fiche et la tirer tout droit hors de la prise.
- 5) **DANGER:** Risque d'incendie ou d'explosion due à la tuyauterie de réfrigérant de piqûre. Réfrigérant inflammable utilisé. N'utilisez pas les instruments en métal pour dégivrer le réfrigérateur. Ne perforez pas la tuyauterie réfrigérante.
- 6) Si un ancien réfrigérateur n'est pas utilisé, nous recommandons d'en retirer les portes afin de réduire le danger qu'il peut représenter pour les enfants.
- 7) **ATTENTION:** Une fois le réfrigérateur en fonctionnement, ne pas toucher les surfaces froides du congélateur, particulièrement avec des mains mouillées ou humides. La peau peut adhérer à ces surfaces extrêmement froides.



- 8) Ne pas recongeler les aliments qui ont été complètement décongelés. Le bulletin maisons et jardins du ministère de l'agriculture des États-Unis no. 69 stipule : « ..Les aliments congelés peuvent être recongelés en toute sécurité s'ils contiennent toujours des cristaux de glace ou si leur température est toujours inférieure à 4,5 °C (40 °F) ».

« ...Les viandes hachées, la volaille et le poisson présentant une odeur ou une couleur suspecte ne doivent être ni recongelés, ni mangés. La crème glacée dégelée doit être jetée. Tout aliment présentant une odeur ou couleur douteuse doit être jeté car son ingestion pourrait être dangereuse. »

« ...La décongélation ou la recongélation, même partielle réduit la qualité gustative des aliments, en particulier des fruits, légumes et plats préparés. La qualité gustative des viandes rouges est beaucoup moins affectée que celle de nombreux autres aliments. Utiliser les aliments recongelés dès que possible, afin de conserver un maximum de leur qualité gustative. »

- 9) Ne pas utiliser d'appareils électriques ou d'objets acérés pour dégivrer le réfrigérateur.
- 10) Débrancher le réfrigérateur avant de le nettoyer ou d'effectuer toute réparation. Remarque: si, pour une raison quelconque, ce produit devait être dépanné, nous recommandons vivement de confier le travail à un technicien certifié.
- 11) Ne pas utiliser le réfrigérateur en présence d'émanations explosives.

VEUILLEZ CONSERVER CES INSTRUCTIONS

**ATTENTION -
Risque d'incendie ou d'explosion**
Ayez la propriété selon des règlements fédéraux ou locaux.
Réfrigérant inflammable utilisé.

 **DANGER**

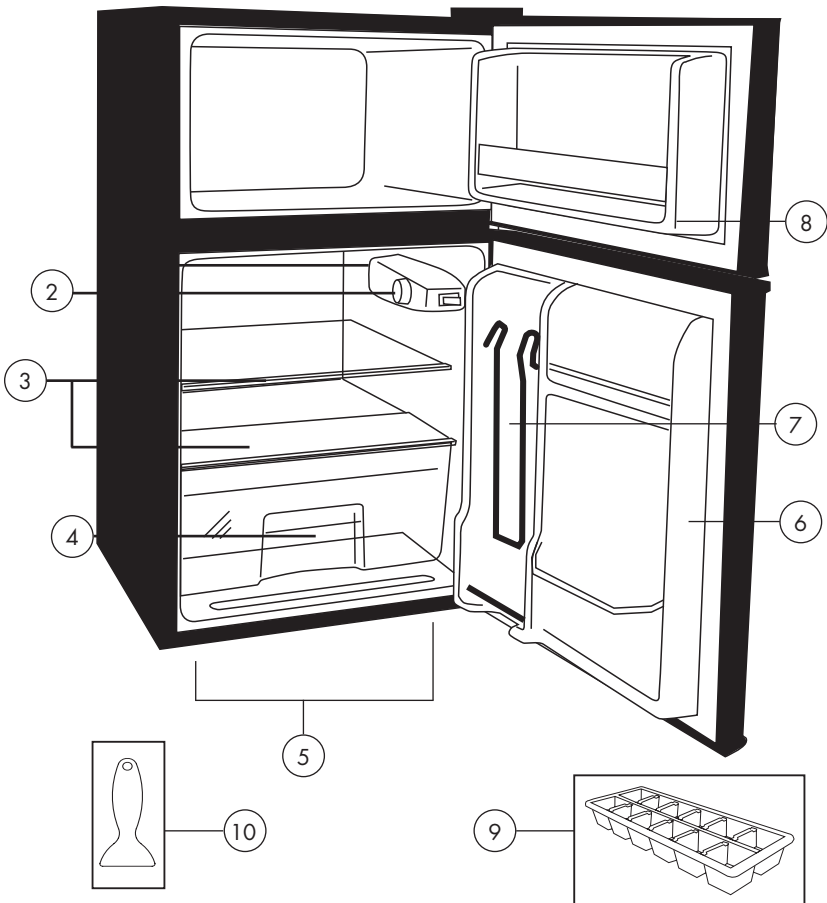
Les enfants pourraient se retrouver coincés dans votre réfrigérateur ou congélateur usagé avant que vous ne puissiez vous en débarrasser. Retirer les portes. Laisser les étagères en place de manière à ce que les enfants ne puissent pas grimper facilement à l'intérieur.

Agrafer le ticket de caisse au guide. **Il devra être présenté pour tout service après-vente sous garantie.**

TABLE OF CONTENTS

CONSIGNES GÉNÉRALES DE SECURITÉ	1
Parts And Features	5
Installation du Réfrigérateur	6
Déballage du Réfrigérateur	6
Mise à Niveau du Réfrigérateur	6
Circulation d’Air Adéquate	6
Caractéristiques Electriques	6
Alignement de la Porte	7
Caractéristiques du Réfrigérateur et Utilisati	8
Cadran de température réglable:	8
Clayettes Intérieures	8
Distributeur de Boîtes Dispense-A-Can™	8
Bac à légumes	8
Dégivrer votre réfrigérateur	9
Aliments Frais	10
Bruits de fonctionnement normal que vous pouvez entendre	11
Nettoyage et Maintenance	11
Nettoyage et Maintenance	11
Remplacement de l’ampoule	12
Coupures de Courant	12
Vacances et Déménagement	13
Dépannage	14
Garantie Limitée	15

Pièces et Caractéristiques



- 1. Lumière intérieure
- 2. Contrôle de température
- 3. Étagères de réfrigérateur
- 4. Pac à légumes
- 5. Jambes de mise à niveau avant

- 6. Étagères de porte de réfrigérateur
- 7. "Dispense-A-Can™" Mémoire
- 8. Étagère de porte de congélateur
- 9. Bac à glaçons
- 10. Racleur de glace

Installation du Réfrigérateur

Désemballage du Réfrigérateur

1. Retirer l'ensemble du matériel d'emballage. Ceci comprend la base en mousse ainsi que l'ensemble du matériel adhésif qui maintient les accessoires du réfrigérateur à l'intérieur tout comme à l'extérieur.
2. Inspecter et enlever tout restant d'emballage, de scotch ou de matériaux imprimés avant de brancher le réfrigérateur.

ATTENTION

Risque d'incendie ou d'explosion due à la tuyauterie de réfrigérant de piqûre. Réfrigérant inflammable utilisé. Manipulez avec soin quand réfrigérateur mobile pour éviter d'endommager la tuyauterie réfrigérante ou d'augmenter le risque d'une fuite.

Mise à Niveau du Réfrigérateur

- Your refrigerator has two leveling legs which are located in the front bottom corners of your refrigerator. After properly placing your refrigerator in its final position, you can level your refrigerator.
- Leveling legs can be adjusted by turning them counterclockwise to raise your refrigerator or by turning them clockwise to lower your refrigerator. The refrigerator door will close easier when the leveling legs are extended.

Circulation d'Air Adéquate

- Pour être sûr que le réfrigérateur fonctionne à son maximum d'efficacité, l'installer dans un environnement favorable à une bonne circulation d'air et possédant des connexions de plomberie et d'électricité saines.
- Les indications suivantes concernent l'espace recommandé autour du réfrigérateur:

Latéralement.....	19mm (3/4")
Partie supérieure.....	50mm (2")
Arrière.....	50 mm (2")

ATTENTION: EXIGENCES ÉLECTRIQUES – RISQUE DE CHOC ÉLECTRIQUE

Caractéristiques Electriques

- Pour l'alimentation du réfrigérateur, veiller à utiliser une prise de courant convenable (prise de 120 volts, 15 amp) raccordée à la terre.
- Eviter d'utiliser des adaptateurs à trois fiches ou de sectionner la troisième fiche reliée à la terre dans le but d'utiliser un branchement à deux fiches. Cette pratique pourrait s'avérer dangereuse dans la mesure où le réfrigérateur n'est pas relié convenablement à la terre, et risquerait de causer des risques d'électrocution.



ATTENTION: UTILISATION DE RALLONGES – RISQUE DE DANGER POTENTIEL

Utilisation de Rallonges

- Éviter d'utiliser une rallonge électrique car, dans certains cas, cela peut entraîner des risques pour la santé. S'il est nécessaire d'utiliser une rallonge, utiliser uniquement une rallonge possédant une fiche male à deux broches plus terre à une extrémité et une prise femelle de même type à l'autre extrémité. La capacité électrique de la rallonge doit être égale ou supérieure à la capacité de l'appareil.
- N'UTILISEZ PAS DE RALLONGES D'UNE LONGUEUR SUPÉRIEURE À 12 PIEDS/3,65 MÈTRES.**

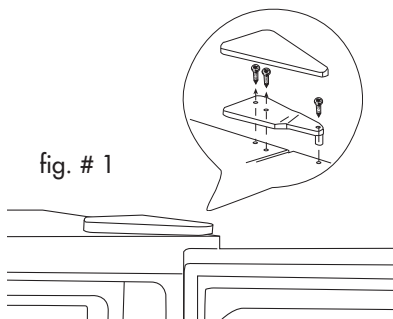
Limitations relatives à l'Installation

- Ne pas installer le réfrigérateur dans un endroit qui n'est pas convenablement isolé ou chauffé; comme par exemple un garage, etc. Le réfrigérateur n'est pas conçu pour fonctionner à des températures inférieures à 12°C.
- Choisir un endroit convenable et placer le réfrigérateur sur une surface solide et plane, loin de sources de chaleur telles que: les radiateurs, les éléments chauffants à plinthes, les cuisinières, etc. Toute irrégularité au sol doit être corrigée à l'aide des pieds de mise à niveau situés sur les coins avant de la partie inférieure du réfrigérateur.

Alignement de la porte

Porte du congélateur : (Voir figure 1)

1. Retirez le cache-charnière supérieur.
2. À l'aide d'un tournevis Phillips desserrez et retirez les vis d'attache de la charnière supérieure.
3. Ajustez la porte ou placez un espaceur au milieu et serrez ensuite les vis.
4. Remplacez le cache-charnière supérieur.



Caractéristiques du Réfrigérateur et Utilisati

Cadran de température réglable:

Le réfrigérateur demeurera automatiquement à la température que vous avez sélectionnée. La commande de température possède 7 positions de réglage ainsi que la position «0» (arrêt). La position «1» est la position la moins froide, «7» est la position la plus froide. Réglez la commande sur «0» afin d'arrêter le processus de refroidissement pour le réfrigérateur et le congélateur. Tout d'abord, réglez la commande sur «6» et patientez 24 heures avant de régler la commande sur la température que vous désirez.

(Remarque: Si le réfrigérateur a été placé à l'horizontale pendant une période de temps quelconque, attendre 24 heures avant de le brancher.)

Clayettes Intérieures

Pour retirer ou replacer les clayettes amovibles:

(voir fig. # 2)

1. Penchez légèrement la clayette vers le haut et glissez-la vers l'avant jusqu'à ce que la clayette ait été complètement retirée.
2. Pour replacer la clayette, glissez-la doucement.

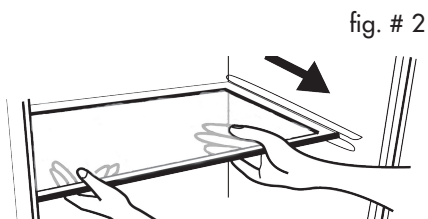
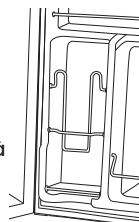


fig. # 2

Distributeur de Boîtes Dispense-A-Can™

fig. # 3

- Votre réfrigérateur est équipé d'un compartiment «Dispense-A-Can™». Chaque compartiment peut accueillir jusqu'à quatre boîtes de boissons diverses. Il vous suffit de ranger les boîtes à partir du haut. Pour sortir une boîte, servez-vous à partir du bas. Le dispositif est d'une grande simplicité.

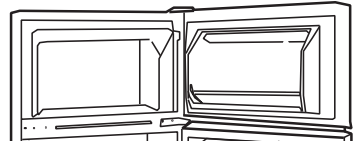


Bac à légumes

- Votre réfrigérateur possède un bac à légumes transparent. Saisissez le haut du bac à légumes et faites-le délicatement glisser vers l'extérieur. Poussez pour le remettre en place.

Dégivrer votre réfrigérateur

- Pour un rendement énergétique maximum, dégivrez le compartiment congélateur lorsque le givre recouvre $\frac{1}{4}$ ou plus de la surface des parois. Notez que le givre s'accumule le plus pendant les mois d'été.



DANGER - Risque d'incendie ou d'explosion due à la tuyauterie de réfrigérant de piqûre. Réfrigérant inflammable utilisé. N'utilisez pas les instruments en métal pour dégivrer le réfrigérateur. Ne perforez pas la tuyauterie réfrigérante.

- Pour dégivrer le compartiment congélateur retirez tous les aliments et les bacs à glaçons de la section congélateur. Mettez le bouton de commande de la température sur "0". Le dégivrage peut durer quelques heures. Afin d'accélérer le processus laissez la porte ouverte et placez un bol d'eau chaude dans le congélateur.
- Pendant le dégivrage de l'eau va s'accumuler. Utilisez une serviette pour retirer l'excès d'eau. Ne laissez pas le congélateur sans surveillance.
- Après le dégivrage, videz et séchez l'intérieur du congélateur. Vous pouvez maintenant remettre votre réfrigérateur à la température désirée et remettez les aliments en place.
- Pour votre convenance, votre congélateur est équipé d'un grattoir.

Maintenance

Risque d'incendie ou d'explosion. Réfrigérant inflammable utilisé. Ne perforez pas la tuyauterie réfrigérante. Pour être réparé seulement par le personnel autorisé qualifié de service. Consultez le manuel de réparation avant d'essayer d'entretenir ce produit. Toutes les mesures de sécurité doivent être suivies. Des éléments seront remplacés par les composants similaires pour réduire au minimum le risque d'allumage possible dû aux pièces incorrectes ou au service inexact.

Informations sur le Rangement des Aliments

Aliments frais

- Lorsque vous placez des aliments frais n'ayant pas été pré-emballés, assurez-vous que ces derniers sont correctement emballés ou placés dans des contenants hermétiques à l'épreuve de l'humidité et de l'air. Vous parviendrez ainsi à conserver vos aliments plus longtemps sans altération de goût ni d'odeur.
- Essuyez les contenants avant de les placer au réfrigérateur afin d'éviter de les renverser.
- Les oeufs doivent être rangés debout dans leurs carton d'origine afin d'assurer leur pérennité.
- Les fruits doivent être lavés, séchés puis placés dans des sacs en plastique avant de les ranger au réfrigérateur.
- Les légumes non pelés doivent être placés dans des sacs en plastique ou tout autre contenant.
- Les légumes à feuilles doivent être lavés et égouttés avant d'être placés dans des sacs en plastique ou tout autre contenant.
- Laissez les aliments chauds refroidir avant de les placer au réfrigérateur, vous ferez ainsi des économies d'énergie.
- Le poisson et les fruits de mer doivent être consommés le jour même de leur achat.
- Lorsque vous conservez de la viande dans le compartiment destinés aux aliments frais, veillez à conserver cette dernière dans son emballage d'origine ou emballez-la à nouveau si nécessaire. Suivez les conseils suivants:

• Poulet	1 à 2 jours
• Boeuf haché	1 à 2 jours
• Charcuterie	3 à 5 jours
• Steaks/rôtis	3 à 5 jours
• Viandes fumées/salaisonées	7 à 10 jours

Pour un tableau détaillé de l'entreposage visitez le site de la FDA:
www.cfsan.fda.gov/~dms/fttstore.html

Aliments congelés:

- **Essuyer les contenants avant de ranger pour éviter les dégâts.**
- Les aliments chauds devraient être refroidi avant d'être mis au congélateur pour éviter une consommation excessive d'énergie.
- Lors du rangement de viandes, garder l'emballage original ou remballer au besoin.
- Le rangement au congélateur requiert un emballage adéquat. Tout aliment doit être emballé de manière à empêcher les échanges d'air ou d'humidité. Un rangement inadéquat peut entraîner le transfert d'odeurs ou de goût, ainsi que l'assèchement des aliments mal-emballés.
- Bien suivre les instructions d'emballage pour le rangement adéquat.
- Recommandations d'emballage:
 - Contenants de plastique avec couvercle étanche
 - Papier d'aluminium
 - Pellicule plastique faite de saran
 - Sacs de plastique à fermeture
- Ne pas recongeler les aliments dégelés.
- On recommande d'écrire la date de congélation sur l'emballage.

Voici quelques suggestions de rangement adéquat :

- | | |
|---|-----------|
| • Plateau-repas (TV dinner) | 3-4 mois |
| • Crevettes, petoncles, écrevisse frais | 3-6 mois |
| • Bœuf haché & viandes à ragoût | 3-4 mois |
| • Dinde, veau, porc haché | 3-4 mois |
| • Côtelettes | 4-6 mois |
| • Steaks | 6-12 mois |
| • Dinde ou poulet entière | 1 an |

Pour un tableau détaillé de rangement, rendez-vous sur le site web de la FDA:
www.fda.gov

Bruits de fonctionnement normal que vous pouvez entendre

- Eau bouillante, gargouillis ou vibrations légères résultent de la circulation du réfrigérant à travers les bobines de refroidissement.
- Le bruit du « click » de la commande du thermostat quand il s'allume et s'éteint.

Entretien e Nettoyage Adéquats du Réfrigérateur Nettoyage et Entretien

Nettoyage et Maintenance

ATTENTION: Pour éviter les risques d'électrocution; toujours débrancher le réfrigérateur avant de le nettoyer. Le non respect de cette mesure peut entraîner des blessures graves ou mortelles.



PRÉCAUTIONS: Avant d'avoir recours à des produits d'entretien, toujours consulter et suivre les instructions du fabricant et recommandations afin d'éviter toute blessure éventuelle et risque de dégât de matériel.



Généralités:

- Préparer une solution de nettoyage comportant 3 à 4 cuillerées à soupe de bicarbonate de soda mélangé à de l'eau chaude. A l'aide d'une éponge ou un tissu doux humectés de solution de nettoyage; essuyer le réfrigérateur.
- Rincer à l'eau chaude et sécher à l'aide d'un tissu doux.
- Ne pas utiliser de détergents chimiques, abrasifs, ou contenant de l'ammoniaque ou du chlore, ni de solvants ou de tampons à récurer en métal. Certains de ces produits chimiques peuvent dissoudre, endommager et/ou décolorer le réfrigérateur.

Joints de porte: Nettoyer les joints de porte tous les trois mois en suivant les instructions générales fournies. Les joints doivent rester propres et flexibles afin d'assurer une bonne étanchéité.

- Une fine couche de gelée de pétrole appliquée sur le côté des joints comportant les charnières permet de préserver la flexibilité de ces derniers et d'assurer une bonne étanchéité.

Remplacement de l'ampoule

1. Eteignez le réfrigérateur.
2. Tirez légèrement sur le cache-ampoule transparent.
3. Remplacez avec le même type d'ampoule à 10 watts.
4. Remettez le cache-ampoule transparent en place.

Coups de Courant

- Des pannes d'alimentation occasionnelles peuvent survenir à cause d'une tempête ou de causes autres. Retirez le cordon d'alimentation de la prise CA pendant toute la durée de la coupure d'alimentation. Lorsque le courant électrique est rétabli, rebranchez le cordon dans la prise CA. Si la coupure d'alimentation se prolonge, vérifiez et jetez les aliments avariés ou décongelés se trouvant dans le congélateur et le réfrigérateur. Nettoyez le réfrigérateur avant de le réutiliser.

ATTENTION: SI LA COUPURE DE COURANT DURE POUR UNE PÉRIODE PROLONGÉE, INSPECTEZ ET JETEZ LES ALIMENTS AVARIÉS OU DÉCONGELÉS QUI SONT DANS LE CONGÉLATEUR ET LE RÉFRIGÉRATEUR. NETTOYEZ LE RÉFRIGÉRATEUR AVANT DE LE RÉUTILISER.



Vacances et Déménagement

- Pendant les périodes de vacances ou d'absence prolongée, vider le réfrigérateur et le congélateur, placer le **cadran** de température sur la position **off** (arrêt) et nettoyer le réfrigérateur ainsi que les joints de porte en suivant les procédures du chapitre intitulé «Nettoyage Général». Faire en sorte que la porte reste ouverte de manière à ce que l'air puisse circuler à l'intérieur. Toujours déplacer le réfrigérateur en position verticale. Ne pas déplacer l'appareil en position horizontale. Ceci pourrait endommager le système d'étanchéité.

Dépannage

Le Réfrigérateur ne fonctionne pas:

- Vérifier que le programmeur du thermostat ne se trouve pas sur la position «0».
- Veiller à ce que le réfrigérateur soit bien branché.
- Veiller à ce que la prise de courant CA fonctionne bien en vérifiant le disjoncteur.

La température des aliments semble être trop élevée:

- La porte est ouverte trop fréquemment.
- Patienter le temps nécessaire pour que les aliments chauds récemment mis au frais refroidissent.
- Vérifier l'étanchéité des joints.
- Régler le programmeur de température sur froid.

La température des aliments est trop basse:

- Si le programmeur de température est placé sur une position trop froide, le régler sur une position plus chaude et patienter plusieurs heures, jusqu'à ce que la température se soit ajustée.

Le réfrigérateur se met en marche trop fréquemment:

- Il peut s'agir de l'activité normale pour maintenir une température constante lorsque la température extérieure ou le taux d'humidité dans l'air sont élevés.
- Les portes ont été ouvertes trop fréquemment ou pendant une période de temps prolongée.
- Vérifier l'étanchéité des joints.
- Veiller à ce que les portes soient bien fermées.

Accumulation d'humidité à l'intérieur ou à l'extérieur du réfrigérateur:

- Ceci est normal pendant les périodes de grande chaleur humide.
- Ouvertures de la porte prolongée ou trop fréquente.
- Vérifier l'étanchéité des joints.

L'intérieur du réfrigérateur dégage une odeur:

- Nettoyer l'intérieur du réfrigérateur.
- Les aliments ne sont pas convenablement enveloppés ou les emballages dégagent une odeur.

La porte du réfrigérateur/congélateur ne ferme pas correctement:

- Mettre le réfrigérateur à niveau.
- Réaligner la porte du réfrigérateur/congélateur.
- Vérifier qu'il n'y ait pas d'obstruction comme par exemple des containers ou les couvercles des bacs, les étagères, paniers, etc.

Garantie Limitée

Éléments sous garantie et durée de la garantie:

Cette garantie couvre tous les défauts de main d'oeuvre et de matériaux pour une période de: 12 mois pour la main d'oeuvre (porter-dans seulement)

12 mois pour les pièces

5 ans pour le système d'étanchéité

La garantie prend effet le jour de l'achat de l'article. Le ticket de caisse d'origine doit être présenté au centre de réparation agréé pour toute réparation sous garantie.

EXCEPTIONS: Garantie pour usage commercial ou location.

90 jours pour la main d'oeuvre (service en atelier uniquement)

90 jours pour les pièces

Aucune autre garantie n'est applicable

Couverture.

1. Les pièces électriques et mécaniques servant au fonctionnement de l'appareil, pour une période de 12 mois. Ceci comprend l'ensemble des pièces, à l'exception de la finition et des garnitures.

2. Les composants du système d'étanchéité, tels que le compresseur hermétique, le condenseur et l'évaporateur, contre tous défauts de fabrication, pour une période de 5 ans à compter de la date d'achat. Tout dommage concernant ces composants et résultant d'un abus d'ordre mécanique, d'une utilisation incorrecte, ou de méthodes d'expédition inadéquates, ne sera pas compris dans la garantie.

3. La garantie limitée ne couvre aucun crédit ou remboursement pour aucune perte ou dommage provoqué par le produit ou les défauts au produit incluant mais non limité aux dommages fortuits ou consécutifs.

Réparations qui seront effectuées:

1. Nous nous engageons à réparer ou remplacer, à notre discrétion, toute pièce électrique ou mécanique s'avérant défectueuse dans des conditions normales d'utilisation, au cours de la période de garantie spécifiée.

2. L'acheteur ne subira aucun frais pour les pièces et la main-d'oeuvre couvertes par la garantie, au cours de la première période de

12-mois. Au-delà de cette période, seules les pièces seront couvertes par la durée restante de la garantie. La main d'oeuvre n'est pas pourvue et est à la charge du client.

3. Contacter le centre de réparations agréé le plus proche. Pour obtenir le nom et adresse du centre le plus proche, appeler le 1-877-337-3639

LES APPAREILS SONT COUVERTS PAR LA GARANTIE SUR LE TERRITOIRE CONTINENTAL DES ETATS-UNIS, À PUERTO RICO ET AU CANADA:

Les dommages résultant d'une installation incorrecte.

Les dommages survenus pendant le transport. Les défauts ne résultant pas de la fabrication. Les dommages résultant d'un usage incorrect ou abusif, d'un accident, de modifications, d'un manque d'entretien ou de maintenance, ou d'une tension incorrecte.

Les dommages résultant d'un usage autre que l'usage ménager.

Les dommages résultant d'un entretien ou de réparations par quiconque autre qu'un distributeur ou centre de réparations agréé. Garnitures décoratives ou ampoules pouvant être remplacées. Transport et Frais d'envoi. Main d'oeuvre (après la période initiale de 12 mois)

CETTE GARANTIE LIMITÉE REMPLACE TOUTE AUTRE GARANTIE EXPRESSE OU IMPLICITE, Y COMPRIS LES GARANTIES DE VALEUR MARCHANDE OU D'ADÉQUATION A UN USAGE PRECIS

Le recours offert dans cette garantie est exclusif et est accordé à l'exclusion de tout autre.

La garantie ne couvrant pas les dommages directs et indirects, les limitations ci-dessus peuvent ne pas s'appliquer à tous les cas. Certains états ne permettant pas la limitation de la durée des garanties implicites, les limitations ci-dessus peuvent ne pas s'appliquer à tous les cas.

Cette garantie confère à l'acheteur des droits spécifiques et celui-ci peut bénéficier d'autres droits qui varient selon les états.

Haier America
Wayne, NJ 07470

REGLAS GENERALES DE SEGURIDAD



ADVERTENCIA: Lea todas las instrucciones antes de utilizar este aparato. Cuando utilice este aparato, siempre ejerza las precauciones de seguridad básicas, incluyendo las siguientes:

NOTA: Si el refrigerador se ha ubicado en una posición horizontal o inclinada durante cualquier lapso de tiempo, espere 24 horas antes de enchufar la unidad.

- 1) Utilice este aparato exclusivamente para su uso especificado, según se describe en esta guía de uso y cuidados.
- 2) Este refrigerador debe ser adecuadamente instalado siguiendo las instrucciones de instalación antes de utilizarse. Observe las instrucciones para conectarlo a tierra en la sección de instalación.
- 3) Este refrigerador no debe de ser empotrado o colocado dentro de un gabinete de cocina. Ha sido diseñado exclusivamente para ser instalado por separado.
- 4) Nunca desconecte su refrigerador tirando del cordón eléctrico. Sujete siempre la clavija firmemente y retírela del contacto evitando torcerla.
- 5) **PELIGRO** - Riesgo de incendio o explosión. Se utiliza refrigerante inflamable. No utilice dispositivos mecánicos para descongelar el refrigerador. No perforo la tubería refrigerante.
- 6) Si su antiguo refrigerador no está siendo utilizado, recomendamos quitarle las puertas. Ello reducirá los riesgos de accidentes infantiles.



ADVERTENCIA: Una vez que su refrigerador se encuentre operando, no toque las superficies frías en el compartimento del congelador, especialmente si sus manos se encuentran húmedas o mojadas. Su piel puede adherirse a estas superficies extremadamente frías.

- 8) No congele alimentos que hayan sido previamente descongelados en su totalidad. El Departamento de Agricultura de los Estados Unidos, en su Bolefín de Casa y Jardfín No. 69 indica que "...Usted puede volver a congelar, sin correr ningfún riesgo, aquellos alimentos congelados que hayan sido descongelados y que afaún contengan cristales de hielo o que afaún se encuentren frfíos con una temperatura por debajo de los 4.5° C (40°F)".

"...Carnes molidas, aves, o pescados, descongelados que despidan olor extrafño o muestren decoloración no deben volver a congelarse y no deben consumirse. El helado descongelado debe desecharse. Si el olor o color de cierto alimento es deficiente o cuestionable, deséche-lo. Tal alimento podrfa resultar peligroso si lo ingiriese."

"...Incluso el descongelar parcialmente y volver a congelar los alimentos disminuye su calidad de consumo, especialmente si se trata de frutas, verduras y alimentos preparados. La calidad de consumo de las carnes rojas es menormente afectada en comparación a la de muchos otros alimentos. Utilice los alimentos que hayan vuelto a congelarse lo más pronto posible para evitar que sufran mayor deterioro en su calidad de consumo."

- 9) No emplee ningún aparato eléctrico o instrumento punzocortante para descongelar su refrigerador.
- 10) Desconecte su refrigerador antes de limpiarlo o antes de hacer cualquier reparación. Note: If for any reason this product requires service, we strongly recommend that a certified technician perform service.
- 11) No opere su refrigerador en la presencia de gases explosivos.

GUARDE ESTAS INSTRUCCIONES

Riesgo de incendio o explosión.
Deseche el producto adecuadamente de conformidad con las reglamentaciones federales o locales. Se utiliza refrigerante inflamable.



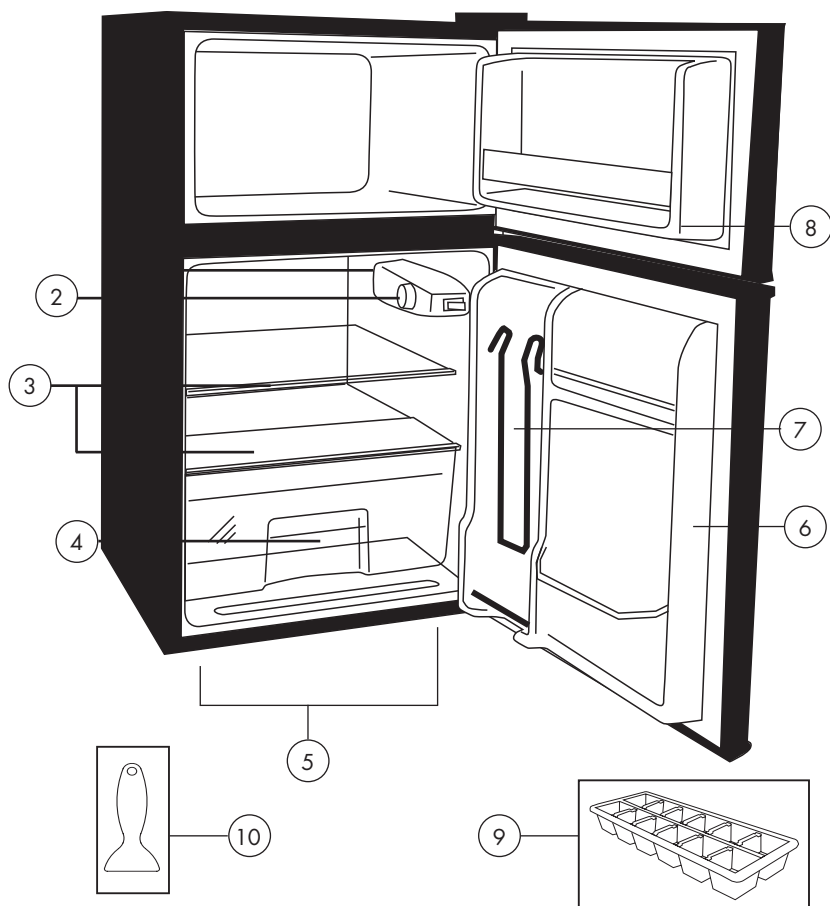
Existe el riesgo de que los niños puedan quedar atrapados dentro. Antes de tirar su refrigerador o congelador, quite las puertas. Deje los anaqueles en su lugar para que los niños no puedan entrar fácilmente en el interior.

Agrafez le ticket de caisse au guide. **Il devra être présenté pour tout service après-vente sous garantie.**

ÍNDICE

Reglas Generales de Seguridad	1
Piezas y Características	4
Instalación de su Refrigerador	5
Desempaque del Refrigerador	5
Nivelación del Refrigerador	5
Circulación Apropriado del Aire	5
Requisitos Eléctricos	5
Alineación de la Puerta	6
Uso u Funciones del Refrigerador	7
Dial de Temperatura Ajustable	7
Uso del "Dispense-A-Can"	7
Cajon Para Verduras y Frutas	7
Como Descongelar su Refrigerador	8
Alimentos Frescos	9
Cuidados y Limpieza Asecuada	10
Verificacion de Problemas	13
Garantia Limitado	14

Piezas y Características



- | | |
|-------------------------------------|--|
| 1. Luz interior | 6. Estantes de puerta del refrigerador |
| 2. Control de la temperatura | 7. "Dispense-A-Can™" Almacén |
| 3. Estantes del refrigerador | 8. Estante de la puerta del congelador |
| 4. Rizador | 9. Bandeja del cubo de hielo |
| 5. Piernas de nivelación delanteras | 10. Raspador del hielo |

Instalación de Su Refrigerador

Desempaque del Refrigerador

1. Retire todo el material de embalaje. Esto incluye la base de espuma y toda la cinta adhesiva que sostiene los accesorios del refrigerador en el interior y exterior.
2. Inspeccione y retire cualesquier restos del embalaje, la cinta adhesiva o los materiales impresos antes de encender el refrigerador.



PRECAUCIÓN

Riesgo de incendio o explosión debido a perforación de la tubería refrigerante. Se utiliza refrigerante inflamable. Manipule con cuidado cuando mueva el refrigerador para evitar dañar la tubería del refrigerante o aumentar el riesgo de una filtración.

Nivelación del Refrigerador

- Su refrigerador tiene dos patas niveladoras que están ubicadas en las esquinas frontales de su refrigerador. Después de haber colocado su refrigerador en la posición definitiva, puede nivelar su refrigerador.
- Puede ajustar las patas niveladoras girándolas a la derecha para elevar el refrigerador y girándolas a la izquierda para bajarlo. La puerta del refrigerador cerrará con más facilidad cuando las patas niveladoras son elevadas.

Circulación Apropiadado del Aire

- Para asegurar que su refrigerador funcione con la eficiencia máxima para la que fue diseñado, éste debe ser instalado en un lugar donde haya una circulación de aire adecuada, conexiones eléctricas y de tubería.
- Estas son las distancias recomendadas que deben dejarse alrededor del refrigerador:

Lados.....	19 mm
Parte Superior.....	50 mm
Parte Posterior.....	50 mm



ADVERTENCIA: REQUISITOS ELÉCTRICOS – RIESGO DE DESCARGA ELÉCTRICA

Requisitos Eléctricos

- Asegúrese de que haya un tomacorriente apropiado (120 V, 15 Amp.) con una conexión a tierra apropiada para hacer funcionar el refrigerador.
- Evite el uso de adaptadores de tres patas o el cortar la tercer pata de conexión a tierra para poder conectar en un tomacorriente bifásico. Esto sería una práctica muy peligrosa ya que no proveería al refrigerador con una conexión a tierra adecuada y podría resultar un riesgo de descarga eléctrica.



ADVERTENCIA: USO DE CABLES DE PROLONGACIÓN – PELIGRO POTENCIAL

Uso de Alargues

- Evite el uso de alargues para mayor seguridad. Si fuese necesario utilice solamente un alargue de tres cables que posea un enchufe de tres patas. **NO UTILICE CABLES DE PROLOGACIÓN MÁS LARGOS DE 12 PIES.**

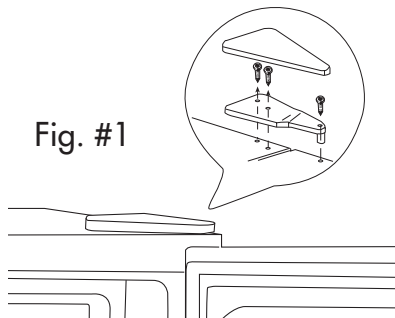
Limitaciones de Instalación

- No instale su refrigerador en ningún lugar que no tenga el aislamiento o la calefacción apropiada, por ejemplo una cochera, etc. Su refrigerador no fue diseñado para funcionar en temperaturas abajo de los 12° Centígrados (55°F).
- Seleccione un lugar adecuado para el refrigerador sobre una superficie sólida y nivelada alejado de los rayos directos del sol o de una fuente de calor como la de los radiadores, rejillas de calefacción, estufas, etc. Cualquier desnivelación del piso debe ser corregido con las patas niveladoras ubicadas en las esquinas inferiores frontales del refrigerador.

Alineación de la puerta

Puerta del congelador (consulte la figura 1)

1. Retire la cubierta de la bisagra superior.
2. Afloje los tornillos de la bisagra superior con un destornillador Phillips.
3. Ajuste la puerta o coloque un separador en el medio y luego ajuste los tornillos.
4. Vuelva a colocar la cubierta de la bisagra superior.



Uso y Funciones del Refrigerador

Dial de Temperatura Ajustable

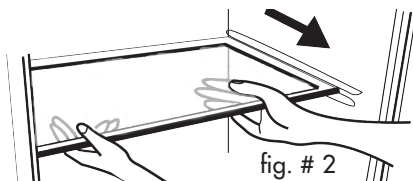
Su refrigerador mantendrá automáticamente el nivel de temperatura que seleccione. El dial de control de temperatura tiene 7 ajustes además del ajuste "0" (apagado). El 1 es el más tibio. El 7 es el más frío. El girar el dial hasta "0" (apagado), detiene el enfriamiento en ambas secciones del refrigerador y congelador. Primero, ajuste el dial a 4 y permita que pasen 24 horas antes de ajustar la temperatura a sus necesidades.

Nota: Si el refrigerador ha sido colocado en una posición horizontal o inclinada durante algún periodo de tiempo, espere 24 horas antes de enchufar la unidad.

Entrepaños Interiores del Refrigerador

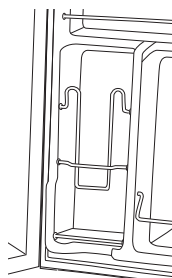
Quitar o substituir un de ancho total resbala-hacia fuera el estante:
(Vea fig. # 2)

1. Levante ligeramente el entrepaño y deslícelo hacia el frente hasta sacarlo completamente.
2. Para volver a colocar el entrepaño, seleccione la ubicación deseada y deslice cuidadosamente el entrepaño hasta que quede enganchado.



Uso del "Dispense A-Can™" Servidor de Latas

- El refrigerador puede venir equipado con un dispositivo muy conveniente para guardar envases de hojalata o latas, "Dispense A-Can™". Los compartimientos tienen capacidad para unas 4 latas. Simplemente coloque las latas por la parte de arriba del compartimiento. Para sacar una lata, sólo es necesario remover la que está en el fondo del compartimiento. Es así de fácil.

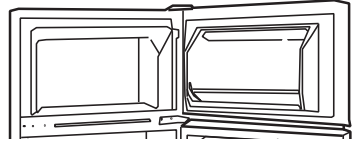


Cajón para verduras y frutas

- Su refrigerador tiene un cajón para verduras y frutas transparente. Tome la parte superior del cajón y deslícelo hacia fuera suavemente. Empújelo para volver a colocarlo.

Cómo descongelar su refrigerador

- Para una máxima eficiencia de la energía, descongele la sección del congelador cuando la escarcha que se acumule en las paredes del congelador tenga un grosor de 1/4" o más. Advierta que la escarcha se tiende a acumular en los meses de verano.



PELIGRO: Riesgo de incendio o explosión debido a perforación de la tubería refrigerante. se utiliza refrigerante inflamable. No utilice dispositivos metálicos para descongelar el refrigerador. No perforo la tubería refrigerante.

- Para descongelar el congelador, quite los alimentos y la bandeja de los cubos de hielo de la sección del congelador. Gire la perilla de control de la temperatura a la posición "0". La descongelación por lo general lleva unas horas. Para acelerar el tiempo de descongelación, mantenga la puerta abierta y coloque un recipiente de agua tibia en el congelador.
- Se acumulará agua durante el descongelamiento. Utilice una toalla para quitar el exceso del agua que gotea. No desatienda el refrigerador.
- Luego de descongelar, vacíe y pase un trapo al interior del descongelador. Ahora puede volver a configurar el congelador a la temperatura que desee y volver a colocar los alimentos.
- Su refrigerador viene con un raspador de hielo para su comodidad.

Mantenimiento

Riesgo de incendio o explosión. Se utiliza refrigerante inflamable. No perforo la tubería refrigerante. Debe ser reparado solo por personal de servicio autorizado. Consulte el manual de reparación antes de intentar reparar este producto. Deben seguirse todas las precauciones de seguridad. Las piezas del componente deben reemplazarse con componentes equivalentes para minimizar el riesgo de un posible incendio debido a piezas incorrectas o reparación inapropiada.

Información sobre el Almacenamiento de Alimentos

Alimentos Frescos

- Cuando almacene alimentos frescos que no estén preempacados, asegúrese de envolver o almacenar los alimentos en un material hermético y a prueba de humedad a menos que se indique de otra manera. Esto asegurará la vida útil de los entropaños y prevendrá la contaminación de olores y sabores.
- Limpie los contenedores antes de almacenarlos para evitar derrames innecesarios.
- Los huevos deben ser almacenados en su caja original para aumentar la vida útil del entropaño.
- Las frutas deben ser lavadas y secadas y luego almacenadas en el cajón para frutas y verduras en el ajuste de baja humedad para mantener su frescura. Si no tiene cajones con control de humedad, coloque las frutas en bolsas plásticas selladas antes de almacenarlas en el cajón.
- Los vegetales con piel deben ser almacenadas en bolsas o contenedores de plástico y luego ser almacenadas en el cajón para frutas y verduras con un ajuste de baja humedad.
- Los vegetales frondosos deben ser lavados y escurridos y luego almacenados en bolsas o contenedores de plástico en el cajón para frutas y verduras con un ajuste de alta humedad.
- Debe esperar a que los alimentos calientes se enfríen antes de almacenarlos en el refrigerador. Esto prevendrá el uso innecesario de energía.
- Los mariscos frescos deben ser usados el mismo día que se compren.
- Cuando almacene carnes en la sección de alimentos frescos, manténgala en el paquete original o vuélvala a empacar conforme sea necesario. Siga las sugerencias de abajo para un almacenamiento seguro:
 - Pollo 1-2 Días
 - Carne Molida de Res 1-2 Días
 - Carnes Frías 3-5 Días
 - Bistecs/Asados 3-5 Días
 - Carnes Ahumadas/Curadas 7-10 Días

Para cuadros de almacenamiento detallados, visite el sitio web de FDA:
www.cfsan.fda.gov/~dms/fttstore.html

Alimentos congelados:

- **Seque con un paño los recipientes antes de almacenarlos para evitar derrames innecesarios.**
- Los alimentos calientes deben dejarse enfriar antes de guardarlos en el congelador. De esta manera se evita el uso innecesario de energía.
- Cuando guarde carnes, manténgalas en el paquete original o vuelva a envolverlas si es necesario.
- Para un almacenamiento adecuado en el congelador, es necesario que el empaquetado sea correcto. Todos los alimentos deben estar en paquetes que no permitan que el flujo de aire o humedad entre o salga. El almacenamiento inadecuado puede provocar la transferencia de olores y sabores y hará que los alimentos mal empaquetados se deshidraten.
- Siga las instrucciones del paquete o recipiente de los alimentos para lograr un almacenamiento adecuado.
- Recomendaciones para el empaquetado:
 - Recipientes plásticos con tapas herméticas
 - Papel aluminio de alta resistencia
 - Envoltorios plásticos fabricados con película transparente
 - Bolsas plásticas auto-sellantes.
- No vuelva a congelar alimentos ya descongelados.
- Se recomienda que la fecha de congelamiento esté indicada en el paquete.

Las siguientes son algunas sugerencias para un almacenamiento seguro:

- | | |
|---|--------------|
| • Comida congelada | 3 - 4 meses |
| • Camarones, vieiras, cangrejos frescos | 3 - 6 meses |
| • Hamburguesas & carne estofada | 3 - 4 meses |
| • Carne molida de pavo, ternera, cerdo | 3 - 4 meses |
| • Chuletas | 4 - 6 meses |
| • Bistecs | 6 - 12 meses |
| • Pollo o pavo, entero | 1 año |

Para una tabla detallada de almacenamiento, visite el sitio de FDA:
www.fda.gov

Ruidos de Operación Normales que Pueda Escuchar

- Agua hirviendo, ruidos gorgoteantes o ligeras vibraciones que son el resultado del gas refrigerante circulando a través del serpentín de enfriamiento.
- La commande de thermostat cliquettera quand elle fait un cycle en marche et en parar.

Cuidados y Limpieza Asegurada del Refrigerador

Limpieza y Mantenimiento

ADVERTENCIA: Para evitar una descarga eléctrica siempre desenchufe su refrigerador antes de limpiarlo. El ignorar esta advertencia puede causar esiones o la muerte.



PRECAUCIÓN: Before using cleaning products, always read and follow manufacturer's instructions and warnings to avoid personal injury or product damage.



En general:

- Prepare una solución de limpieza de 3-4 cucharadas de bicarbonato de sodio mezclado con agua tibia. Use una esponja o un trapo suave, humedecidos con la solución de limpieza, para limpiar su refrigerador.
- Enjuague con agua limpia tibia y seque con un trapo suave.
- No use químicos fuertes, abrasivos, amoníaco, cloro, detergentes concentrados, disolventes o estropajos metálicos. Algunos de estos químicos pueden disolver, dañar y/o decolorar su refrigerador.

Empaques de la puerta:

- Limpie los empaques de la puerta cada tres meses de acuerdo a las instrucciones generales. Los empaques deben mantenerse limpios y flexibles para asegurar un sellado apropiado.
- El aplicar un poco de vaselina en el lado articulado de los empaques mantendrá el empaque flexible y asegurará un sellado apropiado.

Interrupciones de Energía

- Pueden ocurrir ocasionalmente interrupciones de energía debido a tormentas eléctricas u otras causas. Desenchufe el cable eléctrico del tomacorriente de corriente alterna cuando ocurra una interrupción en el sistema eléctrico. Cuando la electricidad haya regresado, vuelva a conectar el cable eléctrico a un tomacorriente de corriente alterna. Si ocurre una interrupción en el sistema eléctrico durante un periodo prolongado, inspeccione y deseche los alimentos descongelados o echados a perder en el refrigerador o congelador. Limpie el refrigerador antes de volver a usarlo.

ATTENTION: SI EL CORTE SE PRODUCE DURANTE UN PERÍODO PROLONGADO, INSPECCIONE Y DESCARTE LOS ALIMENTOS QUE SE ECHARON A PERDER O SE DESCONGELARON EN EL CONGELADOR Y REFRIGERADOR. LIMPIE EL REFRIGERADOR ANTES DE USARLO NUEVAMENTE.



Vacaciones y Mudanza

- Durante ausencias largas o vacaciones, vacíe la comida del refrigerador y congelador, coloque el dial de temperatura a la posición de OFF (apagado) y limpie el refrigerador y los empaques de la puerta de acuerdo a la sección de "Limpieza general". Mantenga las puertas abiertas para que el aire pueda circular en el interior. Al mudarse, siempre traslade el refrigerador verticalmente. No lo traslade con la unidad colocada horizontalmente. Pudiera ocurrir un posible daño al sistema sellado.

Verificación de Problemas

El Refrigerador no Funciona:

- Revise que el control del termostato no esté en la posición de "0" (apagado).
- Revise que el refrigerador esté conectado.
- Revise que haya corriente eléctrica en el tomacorriente de corriente alterna, revisando el interruptor de circuito.

La temperatura de los alimentos parece estar demasiado tibia:

- Apertura constante de la puerta.
- Dele tiempo a los alimentos tibios para que puedan alcanzar una temperatura fresca.
- Revise que los empaques estén bien sellados.
- Ajuste el control de temperatura al ajuste más frío.

La temperatura de los alimentos es demasiado fría:

- Si el ajuste del control de temperatura es muy frío, ajústelo a una temperatura más cálida y permita que pasen varias horas hasta que la temperatura se ajuste.

El refrigerador se enciende frecuentemente:

- Esto puede ser normal para mantener una temperatura constante durante temperaturas altas y días húmedos.
- Las puertas pudieron haberse abierto frecuentemente o durante un largo periodo de tiempo.
- Revise que el empaque esté bien sellado.
- Revise que las puertas estén completamente cerradas.

Acumulación de humedad en el interior o exterior del refrigerador:

- Esto es normal durante periodos de alta humedad.
- Apertura constante o prolongada de la puerta.
- Revise que los empaques de la puerta estén bien sellados.

El refrigerador despiden un olor:

- Necesita limpiar el interior.
- Los alimentos envueltos o sellados inadecuadamente están despidiendo los olores.

La luz del refrigerador no funciona:

- Nivele el refrigerador.
- Vuelva a alinear la puerta del refrigerador/congelador.
- Revise que no haya obstrucciones como contenedores de alimentos, la cubierta del cajón para frutas y verduras, entrepaños, recipientes, etc.

Garantía Limitado

¿Qué está cubierto y por cuánto tiempo?

Esta garantía cubre cualquier defecto en la manufactura o empleo de materiales por un plazo de:

12 meses de mano de obra (llevar-en solamente)

12 meses en componentes

5 años en el sistema sellado

La garantía comienza en la fecha de compra del artículo, y la factura original de compra debe presentarse al centro de servicio autorizado para poder efectuar cualquier reparación que esté bajo garantía.

EXCEPCIONES: Garantía por Uso

Comercial o Bajo Arrendamiento

90 meses en mano de obra (únicamente en taller)

90 días en componentes

Ninguna otra garantía es válida

¿Qué está cubierto?

1. Los componentes mecánicos y eléctricos que cumplen con alguna función de este aparato durante un plazo de 12 meses. Esto incluye cualquier componente con excepción de acabados y molduras.

2. Los componentes del sistema sellado, como por ejemplo: compresor hermético, condensador, y evaporador, por defectos de manufactura durante un plazo de 5 años a partir de la fecha de compra. Cualesquier daños a tales componentes causados por abuso mecánico o manejo o transportación inadecuada no serán cubiertos.

3. La garantía limitada no cubre ningún crédito o reembolso para ninguna pérdida o lesión causada por el producto o los defectos al producto que incluye sino no limitada a los daños fortuitos o consecuentes.

¿Qué se hará?

1. Repararemos o reemplazaremos, a discreción nuestra, cualquier componente mecánico o eléctrico que se muestre defectuoso por uso normal durante el plazo así especificado.

2. No habrá cargos para el comprador por las partes y la mano de obra en cualesquier

artículos cubiertos durante el periodo inicial de 12-meses. Al término de este periodo solo las partes son cubiertas en la garantía restante. La mano de obra no está provista y debe ser cubierta por el cliente.

3. Localice su centro de servicio autorizado más cercano. Para conocer el nombre del centro de servicio más próximo a su domicilio, por favor llame al 1-877-337-3639 (Válido solo en E.U.A.).

ESTA GARANTIA CUBRE APARATOS DENTRO DEL TERRITORIO CONTINENTAL DE LOS ESTADOS UNIDOS, PUERTO RICO Y CANADÁ.

Daños por instalación inadecuada.

Daños por transportación.

Defectos que no sean por manufactura.

Daños por negligencia, abuso, accidente, alteración, falta de cuidado adecuado y de mantenimiento, o conexión a tensión eléctrica incorrecta.

Daños que no sean por uso doméstico.

Daños por servicio que no sea proporcionado a través de un distribuidor o centro de servicio autorizado. Molduras decorativas o focos reemplazables. Envío y transportación.

Mano de obra (después de los primeros 12 meses).

ESTA GARANTIA LIMITADA ES PROVISTA EN SUSTITUCION A CUALQUIER OTRA GARANTIA EXPRESADA O QUE IMPLIQUE LAS GARANTIAS MERCANTILES SUJETAS A CIERTO PROPOSITO.

El amparo provisto por esta garantía es de uso exclusivo y se otorga en sustitución a cualquier otro amparo.

Esta garantía no cubre daños incidentales o sus derivados, por lo que las anteriores restricciones pueden serle ajenas. En ciertos estados no se permiten restricciones en lo que se refiere a la duración implícita de una garantía, por lo que las anteriores restricciones pueden serle ajenas.

Esta garantía le otorga ciertos derechos legales y es posible que usted goce de otros derechos, los cuales varían de estado a estado.

Haier America
Wayne, NJ 07470

IMPORTANT

Do Not Return This Product To The Store

If you have a problem with this product, please contact the
"Haier Customer Satisfaction Center" at 1-877-337-3639.

DATED PROOF OF PURCHASE REQUIRED FOR WARRANTY SERVICE

IMPORTANT

Ne pas Réexpédier ce Produit au Magasin

Pour tout problème concernant ce produit, veuillez contacter le service des
consommateurs 'Haier Customer Satisfaction Center' au 1-877-337-3639.

UNE PREUVE D'ACHAT DATEE EST REQUISE POUR BENEFICIER DE LA GARANTIE.

IMPORTANTE

No regrese este producto a la tienda

Si tiene algún problema con este producto, por favor contacte el
"Centro de Servicio al Consumidor de Haier" al 1-877-337-3639 (Válido solo en E.U.A).

NECESITA UNA PRUEBA DE COMPRA FECHADA PARA EL SERVICIO DE LA GARANTIA

www.Haier.com

HC32TW10SB
Issued Date: August 2014

115V, 60Hz
Made in China
Fabriqué en China
Hecho en China

Printed in China
Haier America
Wayne, NJ 07470
©2014 Haier America Trading, LLC.