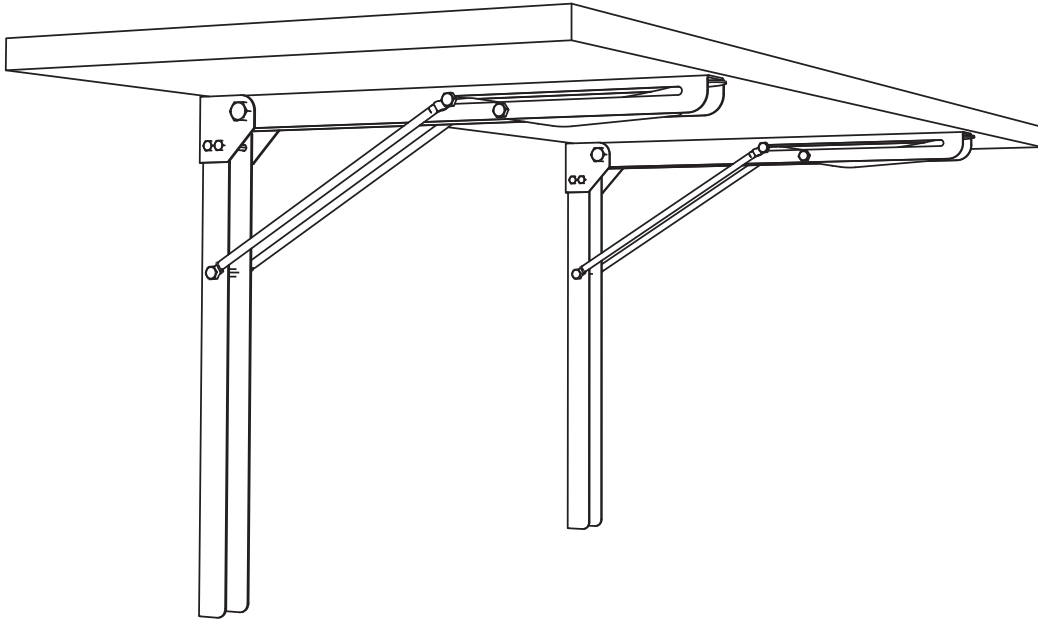


# WMFW Foldable Work Bench

## Assembly Instructions

**Max Weight Capacity 330 Lb**



**READ ALL INSTRUCTIONS AND WARNINGS BEFORE USING THIS PRODUCT.**

This manual provides important information on proper operation & maintenance. Every effort has been made to ensure the accuracy of this manual. These instructions are not meant to cover every possible condition and situation that may occur. We reserve the right to change this product at any time without prior notice.

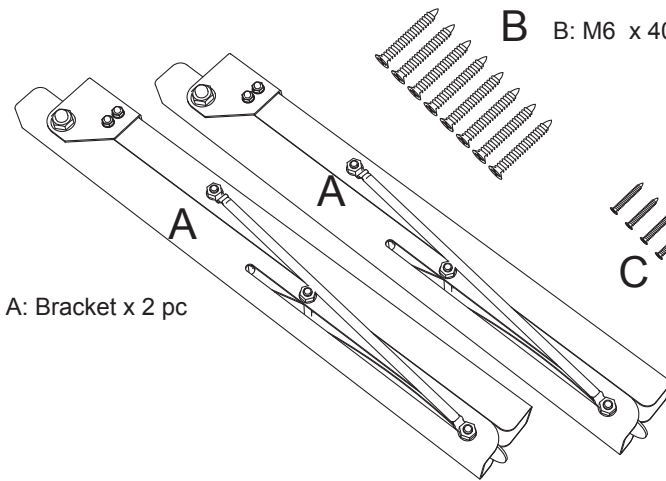
**IF THERE IS ANY QUESTION ABOUT A CONDITION BEING SAFE OR UNSAFE, DO NOT USE THIS PRODUCT!**

**DO NOT RETURN THIS PRODUCT TO THE RETAILER - CONTACT CUSTOMER SERVICE.**

If you experience a problem, have questions or need parts for this product, visit our website <http://www.buffalotools.com> or call Customer Service at 1-888-287-6981, Monday-Friday, 8 AM - 4 PM Central Time, or email : [info@buffalotools.com](mailto:info@buffalotools.com). A copy of the sales receipt is required.

**KEEP THIS MANUAL, SALES RECEIPT & APPLICABLE WARRANTY FOR FUTURE REFERENCE.**

# PARTS LIST



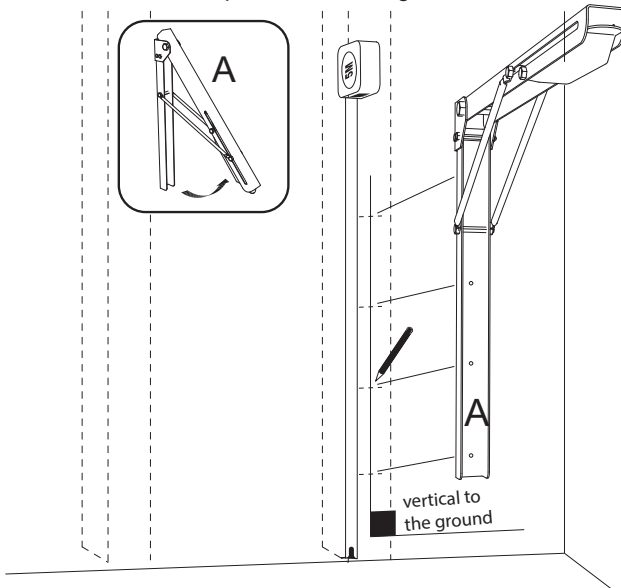
**B** B: M6 x 40mm screws x 8 pc

A: Bracket x 2 pc

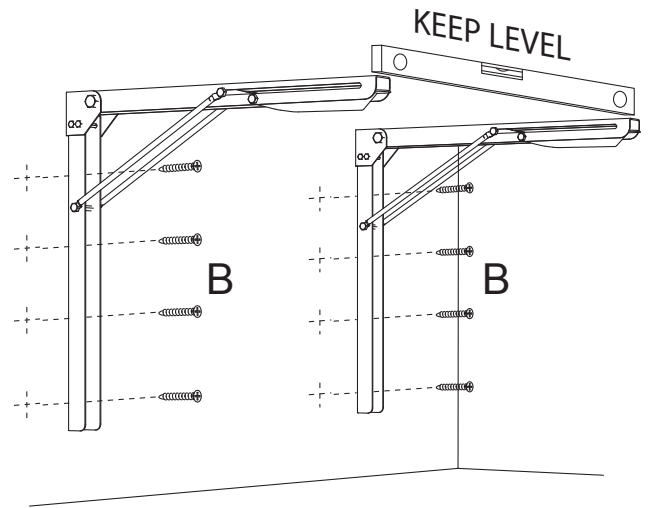


C: M5 x 20mm screws x 6 pc

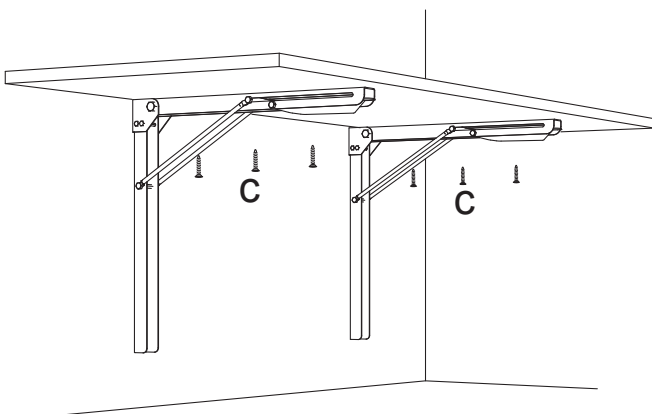
Find stud in the wall. Open bracket and mark the four hole locations. All the holes must be kept vertical to the ground.



Use screw (B) to fasten the bracket on the wall.



Use screw (C) to fasten the bracket to table top.



When not in use, gently press the handle on bracket, to allow the table to fold down.

