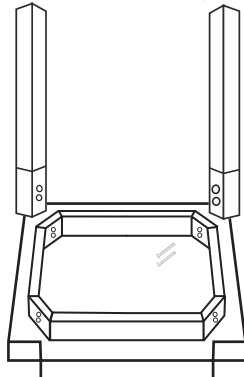
	
A) 1 Table Top	B) 4 Table Legs	C) 4 Chair Seats	D) 8 Back Chair Legs	E) 4 Chair Back Panels	F) 4 Back Braces	G) 8 Front Chair Legs	H) 40 Machine Screws	I) 8 Wood Screws	J) 1 Allen Wrench	K) 40 Flat Washers	L) 40 Split Washers

Please read instructions completely before assembling. Assemble on a soft, smooth area. Adult assembly required.

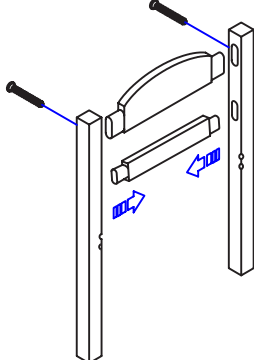
WARNING: CHOKING HAZARD – Small parts NOT for children under 3 years.

1
 Assemble 2 front legs (G) to chair seat (C). Use machine screws (H), split washers (L) and flat washers (K) to fasten, tighten with wrench (J)

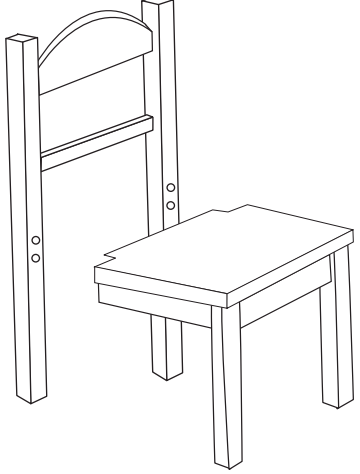


Note: Place the split washer (L) against the head of the machine screw (H) and then add the flat washer (K) before screwing the leg on

2
 Insert chair back panel (E) and chair back brace (F) into 2 back chair legs (D). Use wood screws (I) to fasten, tighten with screw driver (J).

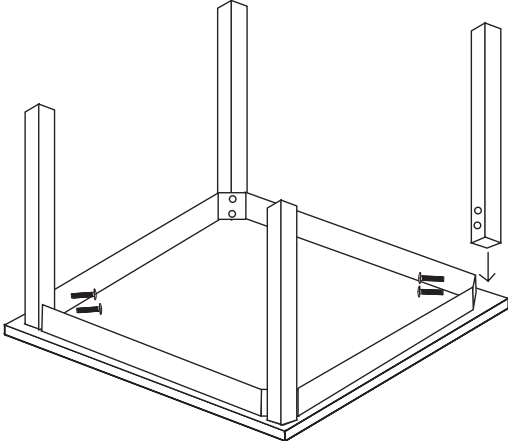


3
 Attach assembled chair back to chair seat (C). Use machine screws (H), split washers (L) and flat washers (K) to fasten, tighten with wrench (J).



Note: Place the split washer (L) against the head of the machine screw (H) and then add the flat washer (K) before screwing the leg on

4
 Attach 4 table legs (B) onto table top (A). Use 2 machine screws (H), split washers (L) and flat washers (K) for each leg, tighten with wrench (J).



Note: Place the split washer (L) against the head of the machine screw (H) and then add the flat washer (K) before screwing the leg on

Cleaning
 Use only household soap or mild detergent and warm water.
 Wipe with damp cloth.

Periodically check for loose screws to avoid accidental injury.

