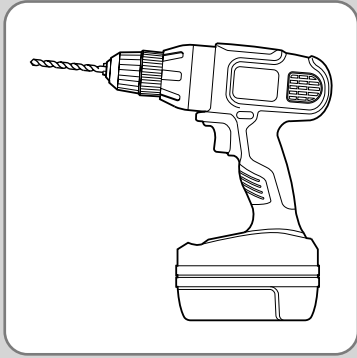




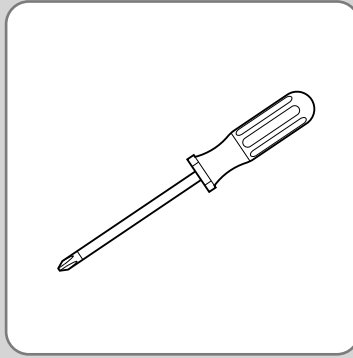
bjørn
WOODWORKS

INSTALLATION
INSTRUCTIONS

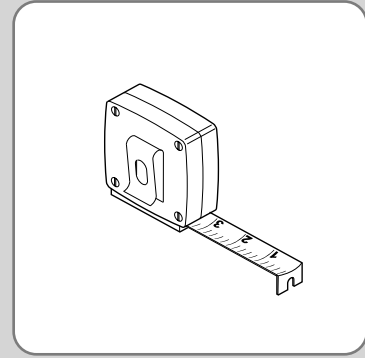




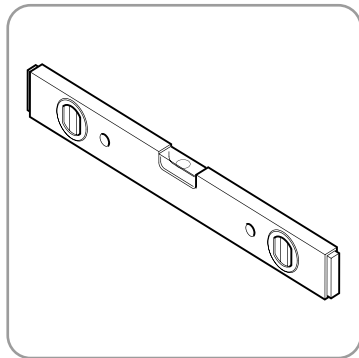
Drill with 1/8", Drill Bit,
and Phillips Bit



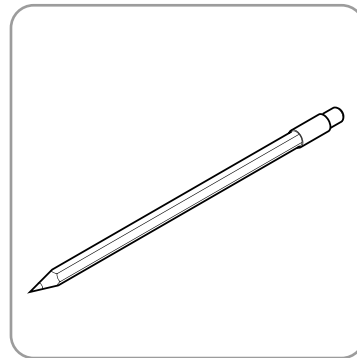
Phillips Screw Driver



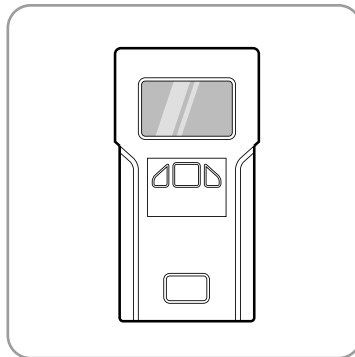
Tape Measure



Level

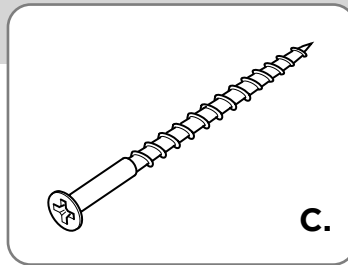
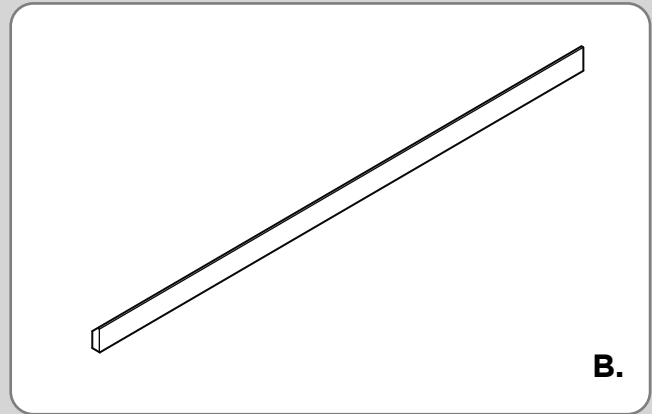
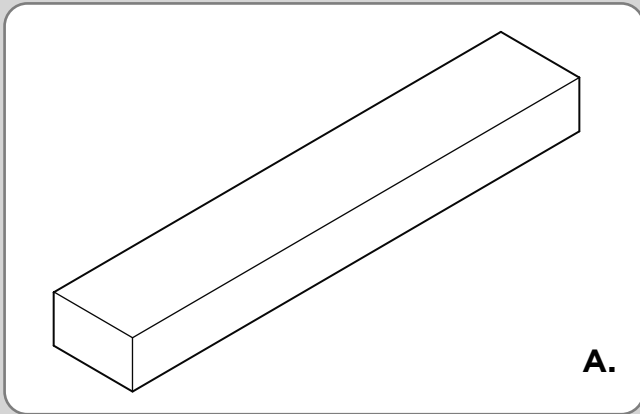


Pencil



Stud Finder

USE TEAMWORK
We recommend two people for
this installation.



PARTS

- A. Mantel
- B. Cleat
- C. Phillips Head Anchor Screw 2-1/2"

NOTE

The hardware provided for the mantel installation is intended for wall stud installations only. For recommendations on installations involving brick or stone, see the end of this installation guide.

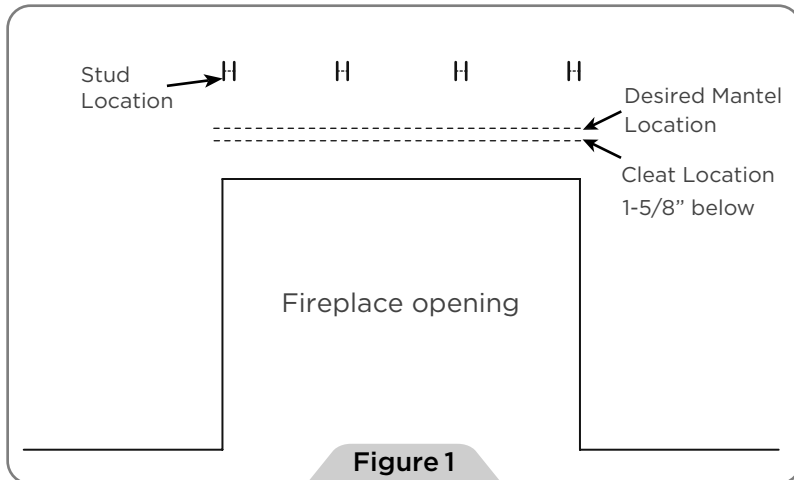


Figure 1

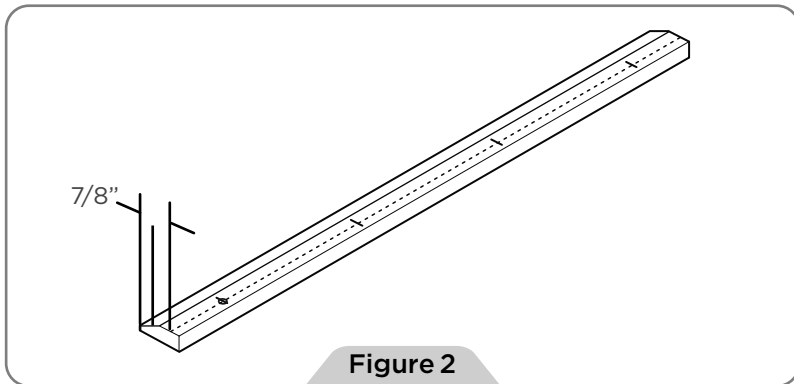


Figure 2

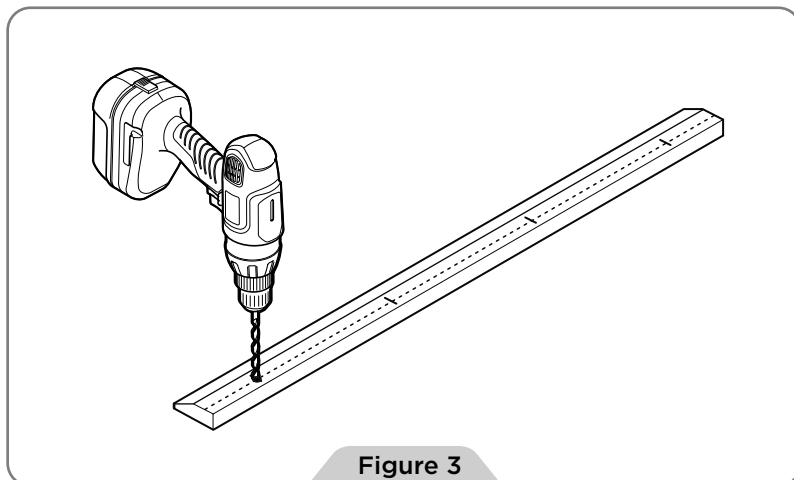


Figure 3

MANTEL INSTALLATION

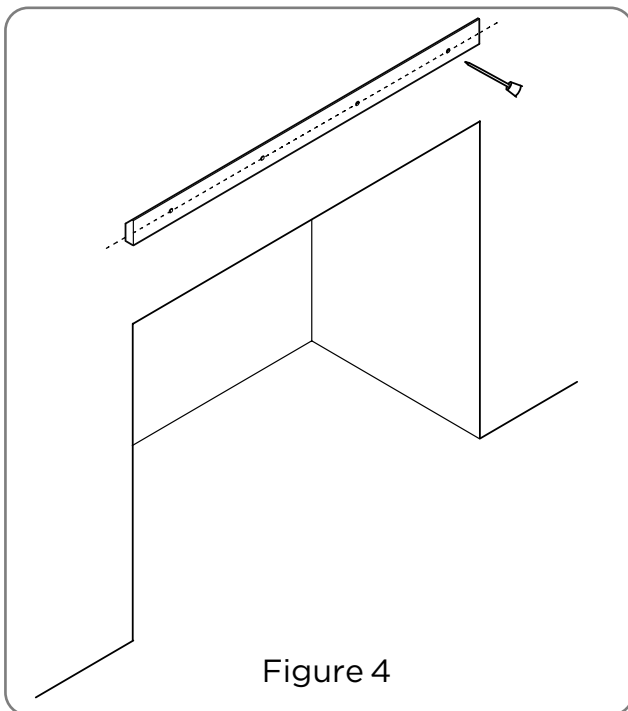
1. Decide at what height the mantel is to be installed. Using a level, mark the location with a pencil. Make another line 1-5/8" below the mantel line height **(Figure 1)**.

2. Using a stud finder, locate the studs along the area the mantel will be installed. Mark stud locations with a pencil **(Figure 1)**.

3. Lay the cleat (B.) on a smooth, flat surface. Measure 7/8" from the top edge of the cleat. Using a ruler, draw a line across the cleat.

4. Measure four evenly spaced areas along the cleat line made in step 1, utilizing studs where possible **(Figure 2)**.

5. Drill pilot holes through measurement lines in the cleat using an 1/8" drill bit **(Figure 3)**.



6. Place the cleat on the cleat line made in step 1 (**Figure 4**).

SUGGESTION

Use double stick tape on the back of the cleat to help hold the cleat in place while completing step 7.
(Not Included)

7. Mark the wall with a pencil through the pilot holes in the cleat. Set the cleat aside (**Figure 4**).

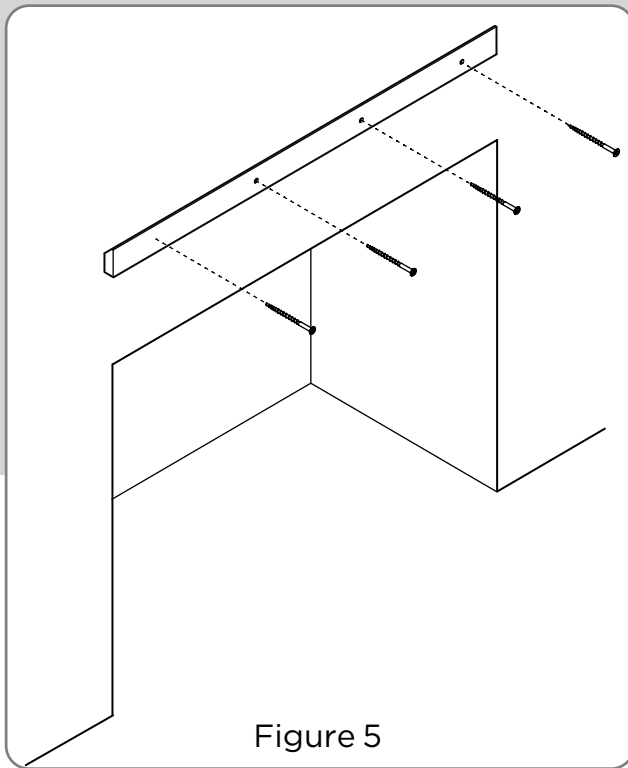


Figure 5

8. Attach the cleat to the wall using provided anchor screws (C) (Figure 5)

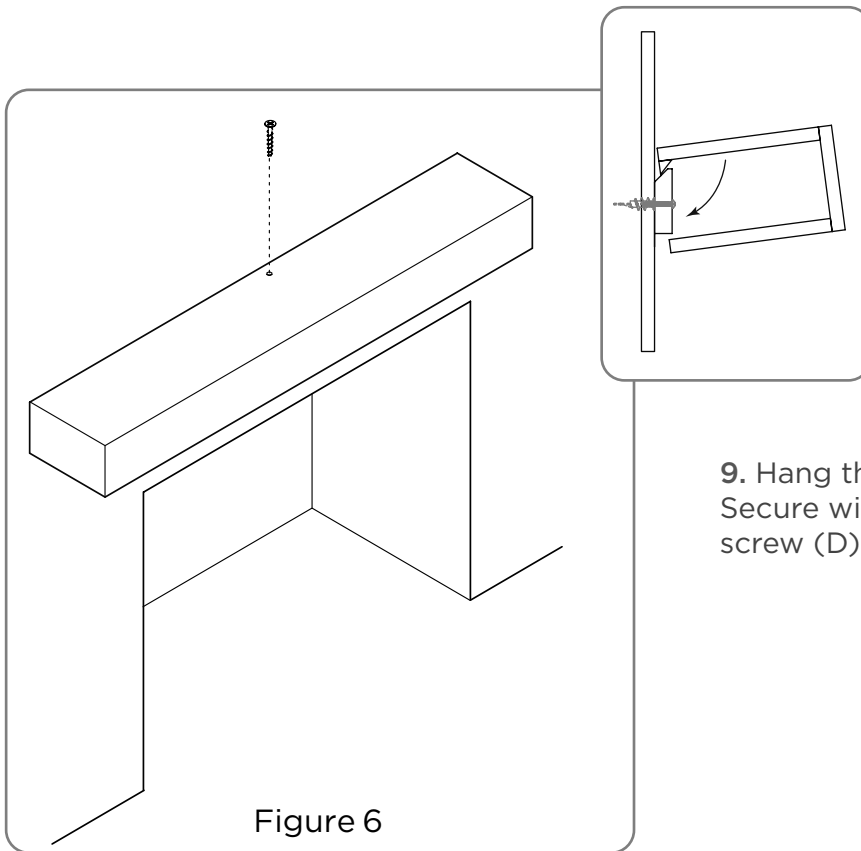
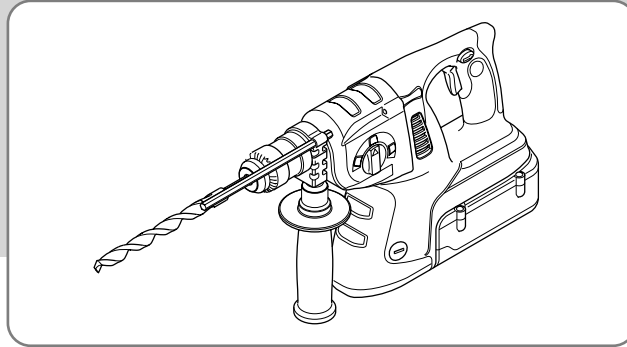


Figure 6

9. Hang the mantel (A) on the cleat. Secure with one phillips head mantel screw (D) (Figure 6).

Installation on a brick or stone chimney will require additional tools and hardware. For example, drill bits for drilling into stone and mortar are different from standard drill bits, and you may need a heavy duty drill:



Masonry Drill

Consult with a local hardware store for the correct hardware and equipment to use.

For brick chimneys, drilling is usually done in the mortar between bricks. A lead insert is installed for the screw that will hold the cleat in place. Once the cleat has been installed, the rest of the installation is the same as the installation into wall studs.

For stone chimneys, drilling may be done in the stone and does not require a lead insert.



Follow us on social media
for inspiration



support@bjornwoodworks.com