

Single Wall Ovens

FGEW276SP F/B

27" Electric



Product Dimensions

Height	29"
Width	27"
Depth	24-7/8"

More Easy-To-Use Features

One-Touch Self Clean

Your oven cleans itself — so you don't have to. Self clean options available in 2-, 3-, and 4-hour cycles.

Built with American Pride

Designed, engineered and assembled in the U.S.A.

Power Broil

Added power means you can broil food faster.

Delay Start

Set your oven to begin cooking on your schedule. It can be programmed from one to 24 hours.

Express-Select® Controls

Easily set cooking temperature or choose one-touch cooking options.

Reversible Door

A.D.A. Compliant

When properly installed, this model is A.D.A.-qualified based on the United States Access Board's A.D.A./A.B.A. Accessibility Guidelines and the Department of Justice's 2010 A.D.A. Standards for Accessible Design.



Sabbath Mode (Star-K® Certified)

Available in:



Stainless
(F)

Black
(B)

†Select models only.

Signature Features



True Convection

Single convection fan circulates hot air throughout the oven for faster and more even multi-rack baking.



Vari-Broil™ Temperature Control

Select from six broil temperatures.



Smudge-Proof™ Stainless Steel¹

Resists fingerprints and cleans easily.



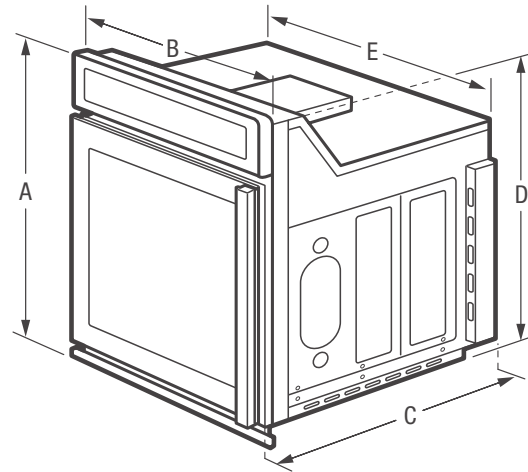
One-Touch Keep Warm Setting

Just one touch of a button keeps food warm until everything — and everyone — is ready.

Features	
Oven Control/Timing System	Express-Select*
Window	Large
Exterior Door Finish	Smudge-Proof™ Stainless Steel (F), Color-Coordinated (B)
Handle Design	Stainless Steel (F), Color-Coordinated (B)
Reversible Door	Yes
Oven Cleaning System	Self-Clean w/ Steam Clean Option
Oven Controls	
Bake/Broil	Yes/ Variable (High-Low)
Effortless™ Convection Conversion	Yes
Convection Bake/Broil/Roast	Yes/ Yes/No
Quick Preheat	Yes
My Favorite	
Slow Cook	
Effortless™ Temperature Probe	Yes
Keep Warm	Yes
Add-a-Minute	
Delay Start	Yes
Self-Clean/Clean Options	Yes/ 2, 3, 4 Hours
Steam Clean	Yes
Delay Clean	Yes
Kitchen Timer	Yes
Timed Cook Option	Yes
Control Lock	Yes
Auto Oven Shut-Off	Yes
Oven Lock-Out	Yes
Oven Features	
Capacity (Cu. Ft.)	3.8
Convection System	True Convection
Oven Light	2 Halogen
Hidden Bake Element	Yes
Rack Configuration	2 Handle
Baking System	Radiant Baking Technology
Broiling System	Vari-Broil™
Bake/Broil Element (Watts)	1,450/3,400
Optional Accessories	
3"-High Bottom Trim - Stainless Steel (F)/Black (B)	(F) PN# 903114-901S (B) PN# 903114-9010
10'-Long Armored Power Cable	PN# 903056-9010
Certifications	
A.D.A. Compliant ¹	Yes
Sabbath Mode (Star-K® Certified)	Yes
Specifications	
Oven Interior (H x W x D)	17" x 20-1/2" x 18-3/4"
Power Supply Connection Location	Left Bottom Rear
Voltage Rating	240V / 208V / 60Hz
Connected Load (kW Rating) @ 240/208 Volts ²	3.7/2.8
Amps @ 240/208 Volts	15.4/13.4
Minimum Circuit Required (Amps)	20
Approved for Under-Counter Installation	Yes
Shipping Weight (Approx.)	130 Lbs.

¹When properly installed, this model is A.D.A.-qualified based on the United States Access Board's A.D.A./A.B.A. Accessibility Guidelines and the Department of Justice's 2010 A.D.A. Standards for Accessible Design.

²Single phase 3- or 4-wire cable, 120/240 or 120/208 Volt, 60 Hertz AC only electrical supply with ground required on separate circuit fused on both sides of line.



NOTE: For planning purposes only. Always consult local and national electric codes. Refer to Product Installation Guide for detailed installation instructions on the web at frigidaire.com.



Product Dimensions	
A - Height	29"
B - Width	27"
C - Depth	24-7/8"
D - Height (Wrapper)	27-1/4"
E - Width (Wrapper)	24-5/8"
Depth with Door Open 90°	50-3/4"

Cutout Dimensions	
Height (Min.)/(Max.)	27-1/4" / 28-1/4"
Width (Min.)/(Max.)	24-7/8" / 25-1/4"
Depth (Min.)	23-1/2"

Accessories information available on the web at frigidaire.com

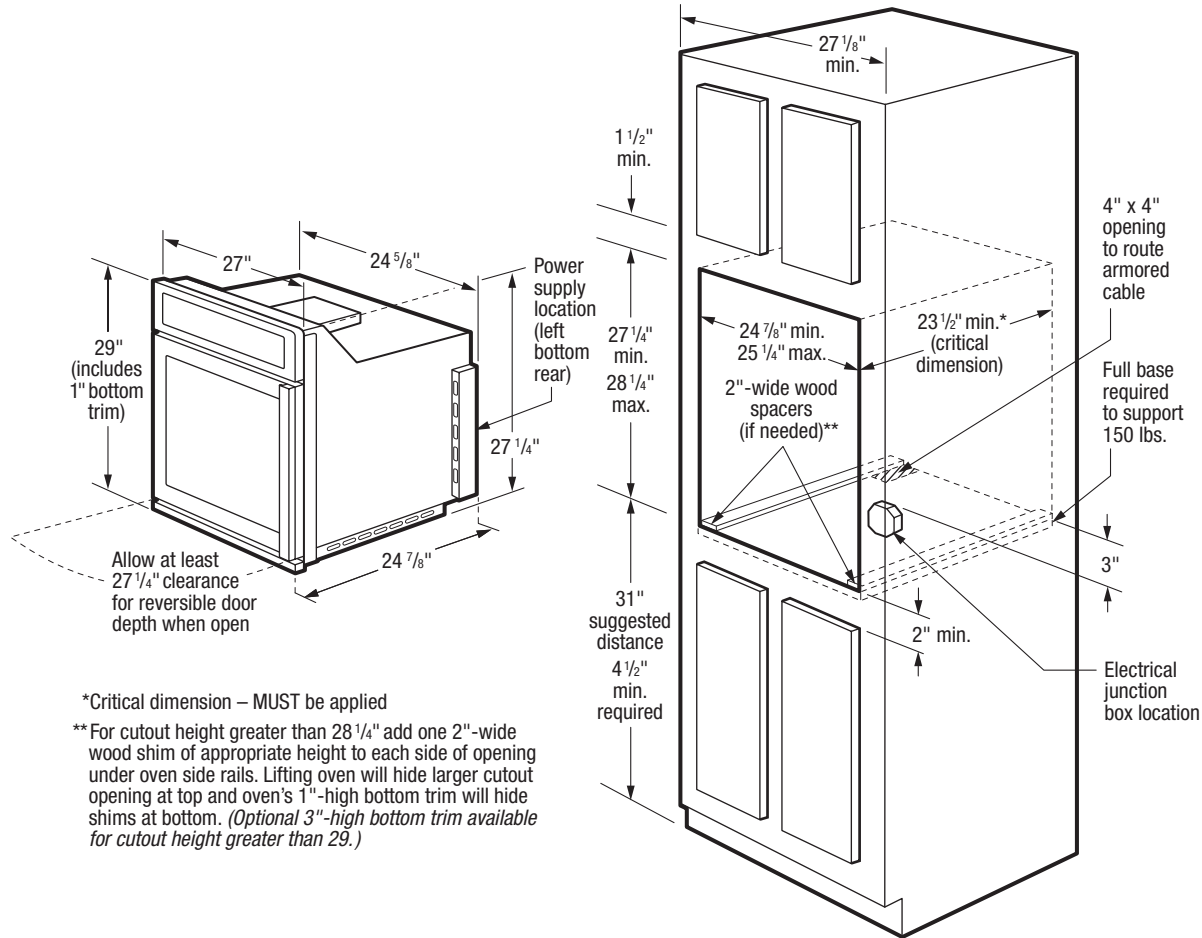
FRIGIDAIRE

USA • 10200 David Taylor Drive • Charlotte, NC 28262 • 1-800-FRIGIDAIRE • frigidaire.com
CANADA • 5855 Terry Fox Way • Mississauga, ON L5V 3E4 • 1-800-265-8352 • frigidaire.ca

FGEW276SP 10/15

© 2015 Electrolux Home Products, Inc.

Specifications subject to change.



Single Wall Oven Specifications

- Product Shipping Weight (approx.) - 130 Lbs.
- Single phase 3- or 4-wire cable, 120/240 or 120/208 Volt, 60 Hertz AC only electrical supply with ground required on separate circuit fused on both sides of line.
- Connected Load (kW Rating) @ 240/208 Volts = 3.7/2.8kW
- Amps @ 240/208 Volts = 15.4/13.4 Amps
- Recommended Circuit Breaker - 20 Amps
- Always consult local and national electric codes.
- Minimum 27-1/4" clearance for oven door depth when open.
- Suggested distance from floor is 31". Minimum required distance is 4-1/2".
- Minimum 23-1/2" deep cutout dimension is critical for proper installation, to ensure that oven's faceplate will fit flush against cabinet front.
- To adapt oven to fit cutout height greater than 28-1/4", add one 2"-wide wood shim of appropriate height to each side of opening under oven side rails. Lifting oven will hide larger cutout opening at top and oven's 1"-high bottom trim will hide shims at bottom. (Standard 1"-High Bottom Trim included.)
- To adapt oven to fit cutout height greater than 29", optional 3"-High Bottom Trim available.

- Full oven base of solid plywood or similar material required, capable of supporting 150 Lbs.
- Base must be level and cabinet front must be square.
- Single Wall Ovens are NOT approved to be used in stackable or side-by-side installation.
- Single Wall Ovens are approved to be used alone in under-counter installation or beneath any approved Frigidaire® gas or electric cooktop. (Refer to Gas or Electric Cooktop Installation Over 30"/27" Electric Single Wall Oven Specifications pages on web.)
- Single Wall Ovens are approved to be used in combination with any Frigidaire® Warmer Drawer. (Refer to model-specific Warmer Drawer product page for Combination Installation Specifications.)
- Single Wall Ovens are approved to be used in combination with any Frigidaire® Built-In Microwave Oven.

Note: For planning purposes only. Refer to Product Installation Guide on the web at frigidaire.com for detailed instructions.

Optional Accessories

- 3"-High Stainless Steel Bottom Trim - (PN# 903114-901S).
- 3"-High Black Bottom Trim - (PN# 903114-901O).
- 10'-Long Armored Power Cable - (PN# 903056-901O).