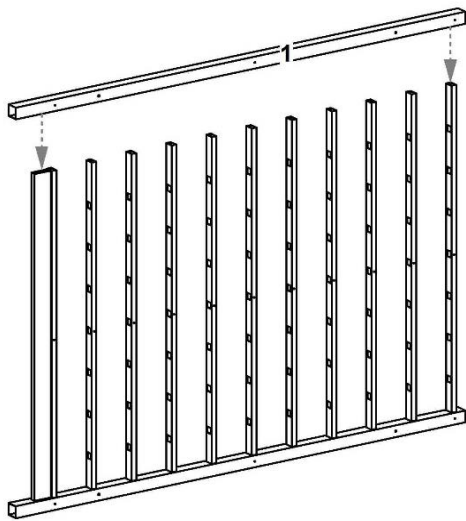


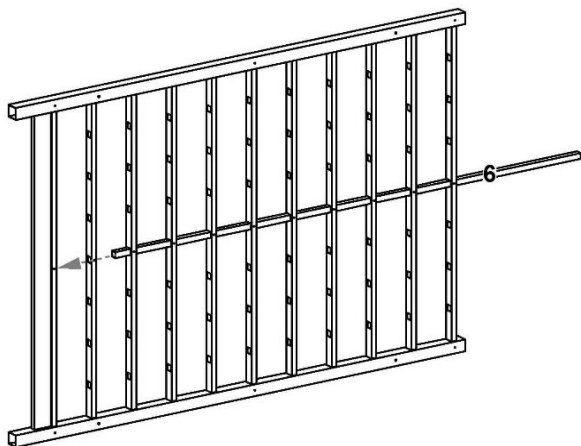
**1**

Lay out one right post (part 2). Starting at bottom, insert bottom support rail (part 5), bottom cross rail (part 4) and center cross rails (part 3).



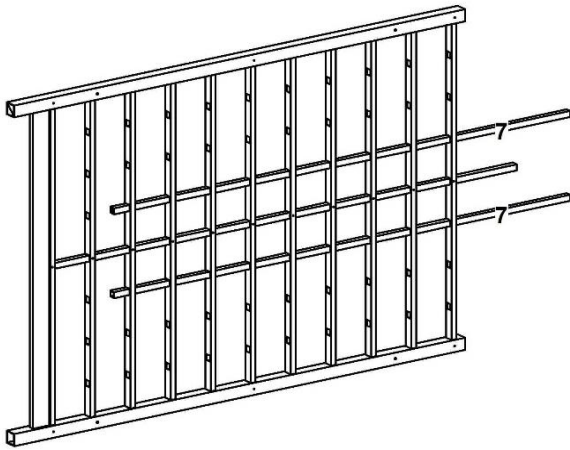
**2**

Slide left post (part 1) over corresponding support and cross rails.



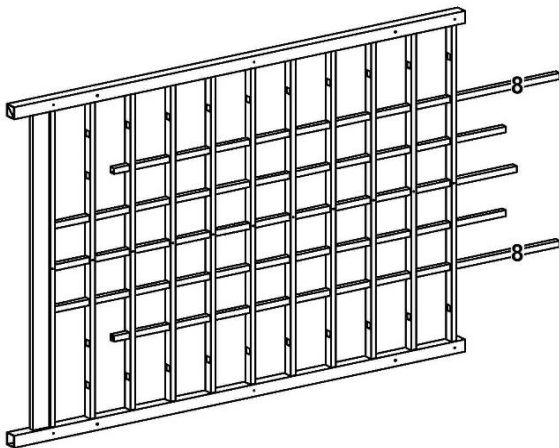
**3**

Starting with center hole, insert 84" vertical rail (part 6) through cross rails.



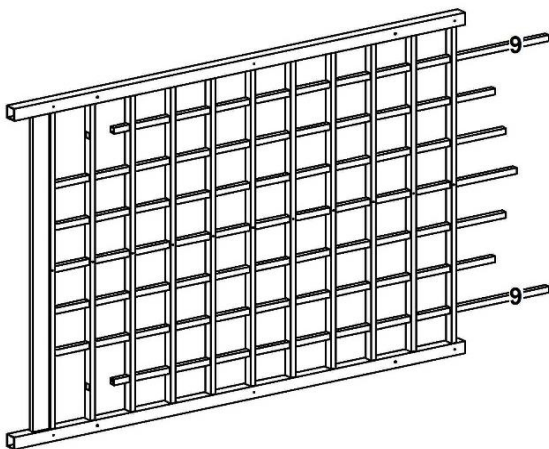
4

Working outward away from center, insert 82" vertical rails (part 7) through cross rails.



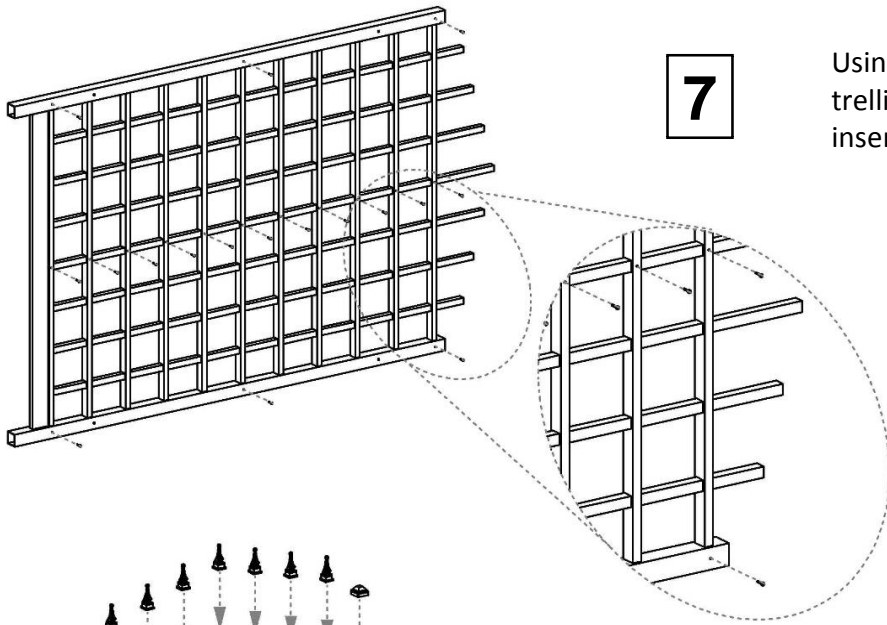
5

Insert 80" vertical rails (part 8) through cross rails.



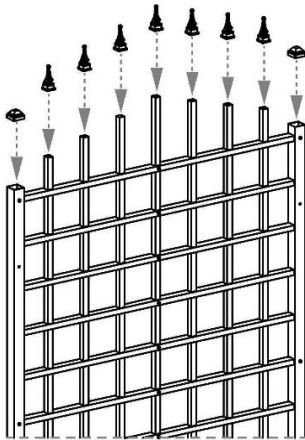
6

Insert 78" vertical rails (part 9) through cross rails.



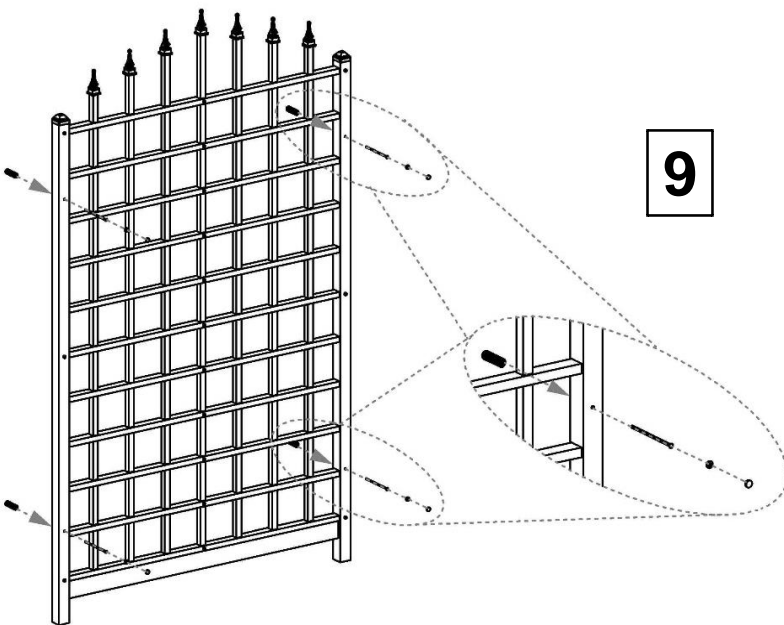
7

Using 3/4" painted screws, screw together trellis. Be sure that all parts are fully inserted into posts before securing.



8

Using PVC, super or crazy glue, glue post caps onto posts and arrowhead caps onto vertical rails.



9

To secure to wall, slide 6" screw through clear screw backer. Insert screw through pre-drilled hole in post. To set trellis away from wall, slide screw through spacer tube. After securing, snap screw cap over screw backer.

(NOTE: The wall mounting screws included will not fasten to stone, brick or concrete walls.)